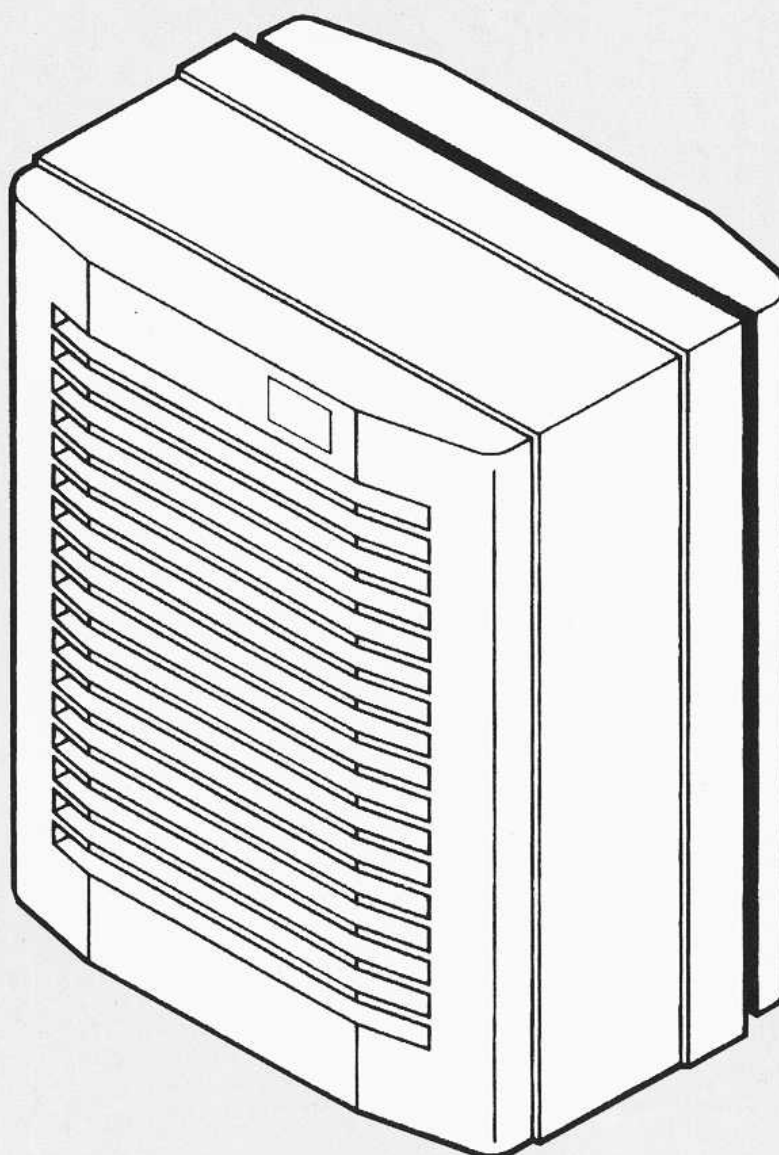




Ventiladores de ventana o pared  
Window/wall fans  
Aérateurs de fenêtre ou mur  
Ventiladores de janela ou parede  
Fenster-und wandventilatoren

Ramm/muurventilatoren  
Mur-og vinduesventilatorer  
Ventilatore da finestra o muro  
Wentylator okiенno-ścienny



Instrucciones de montaje  
Instruction leaflet  
Notice de montage  
Instruções para a montagem  
Montageanweisungen

Montage en gebruiksaanwijzing  
Monterings-og brugsvejledning  
Istruzioni per l'installazione  
Instrukcja obsługi

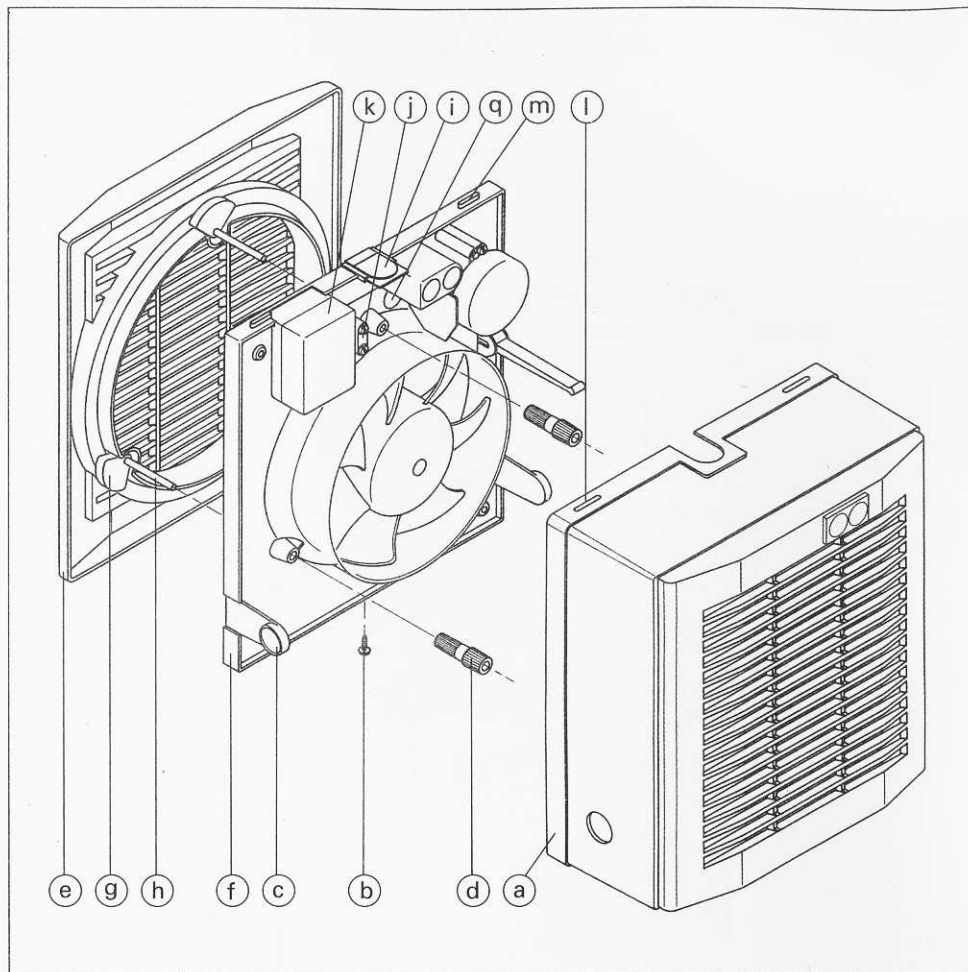
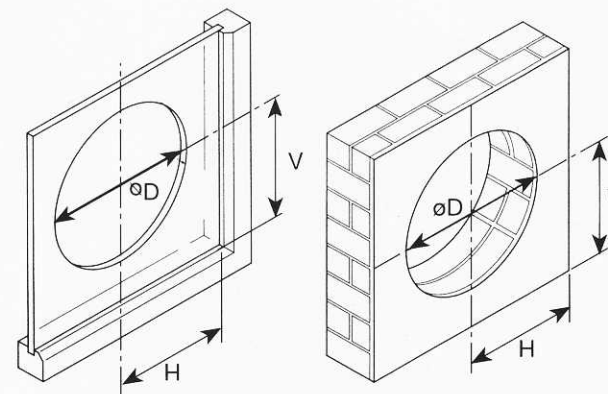
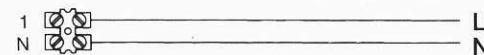


fig. A

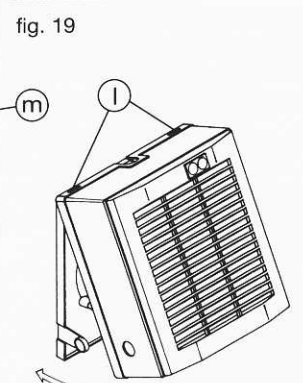
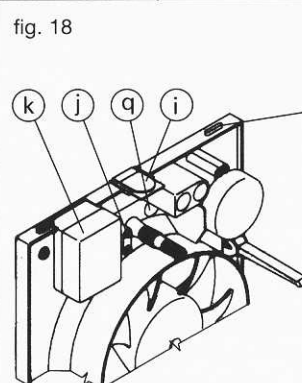
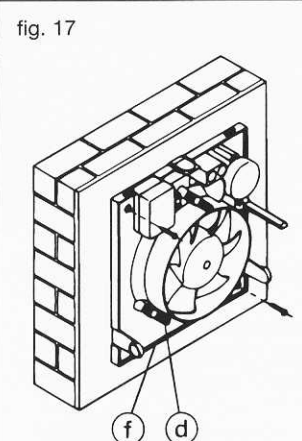
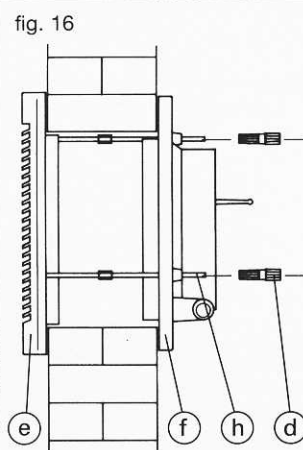
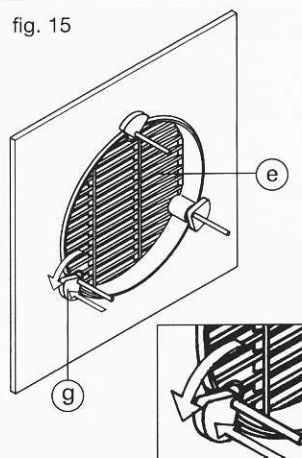
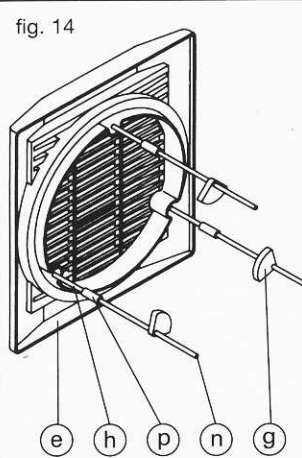
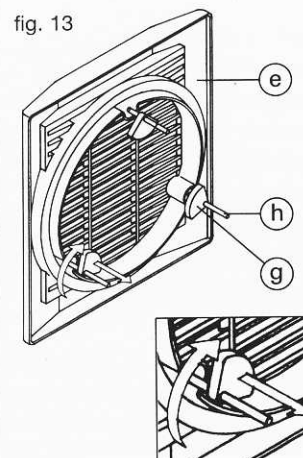
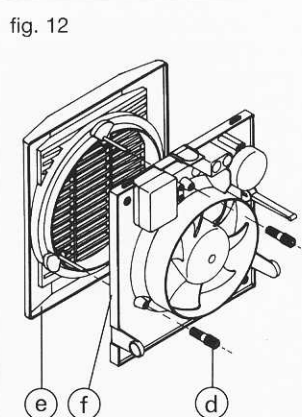
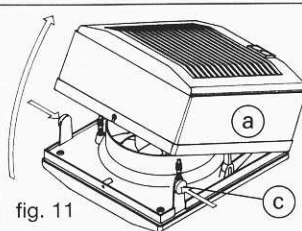
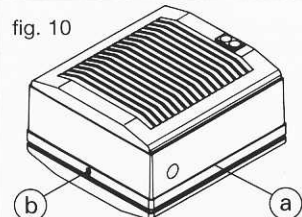
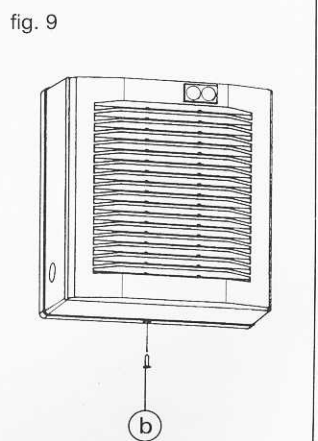
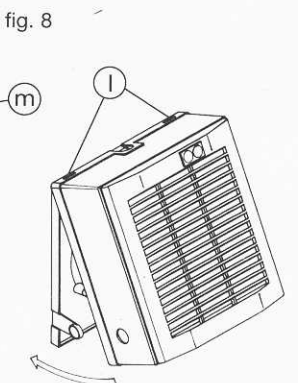
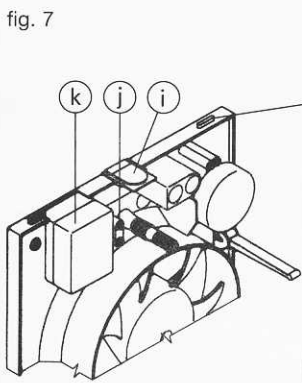
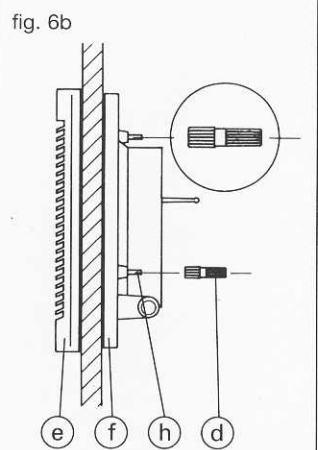
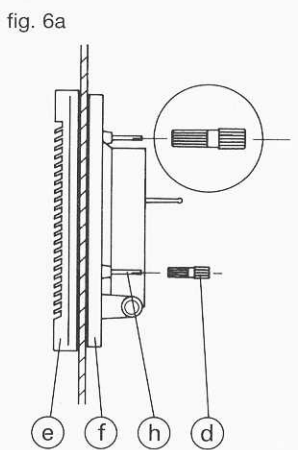
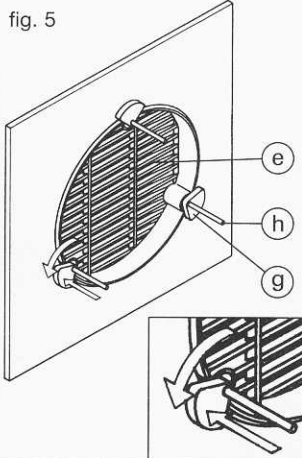
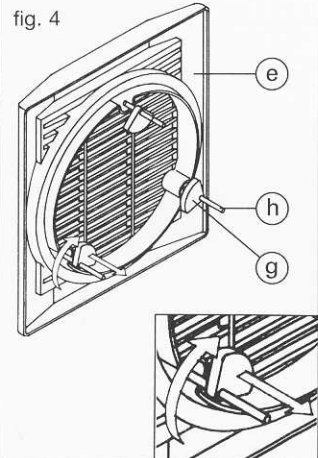
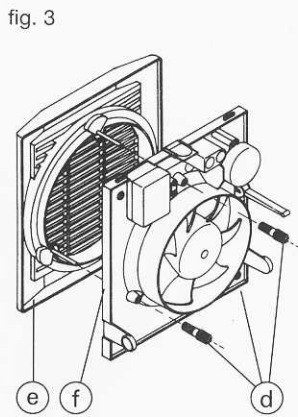
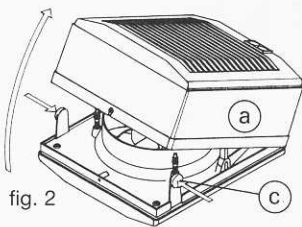
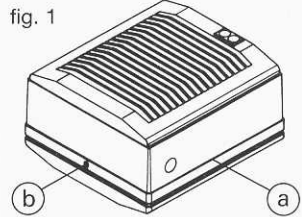


(mm)	HV-230	HV-300
<b>ØD Min</b>	257	324
<b>ØD Max</b>	262	330
<b>H Min</b>	185	220
<b>V Max</b>	200	230

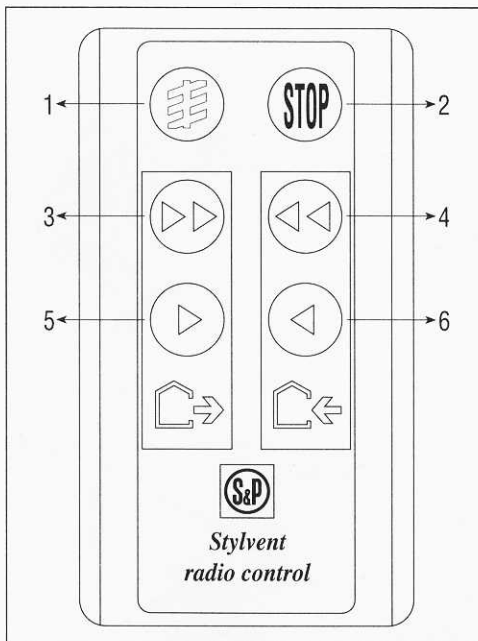
fig. B



- (N) Neutro / Neutral / Neutre / Neutro / Nulleiter / Neutraal / Nul / Zero
- (L) Fase / Phase / Fase / Faza



**Mando a distancia**  
**Remote Control Unit**  
**Commande à distance**  
**Comando à distância**  
**Fernbedienung**  
**Afstandsbediening**  
**Fjernstyringen**  
**Telecomando**  
**Szczegółowe**



1

- Ventilador parado y persiana abierta (luz verde encendida)
- Fan stopped and shutter opened (green pilot light on)
- Ventilateur arrêté et volets ouverts (témoin lumineux vert allumé)
- Ventilador parado e persiana aberta (luz piloto verde acesa)
- Abgestellter Ventilator mit offener Verschlussklappe (grüne Betriebskontrollampe leuchtet)
- Stilstaande ventilator, open jaloezieklep (natuurlijke circulatie, groen controlelampje aan)
- Ventilator stoppet og jaloesiet åbent. (Grøn pilot lampe tændt)
- Ventilatore spento e griglia aperta (lampada spia verde accesa)
- Wentylator nie pracuje, żaluzja jest otwarta (zielona lampka świeci się)

2

- Ventilador parado y persiana cerrada
- Fan stopped and shutter closed
- Ventilateur arrêté et volets fermés
- Ventilador parado e persiana fechada
- Abgestellter Ventilator mit geschlossener Verschlussklappe
- Stilstaande ventilator, jaloezieklep gesloten
- Ventilator stoppet og jaloesiet lukket
- Ventilatore spento e griglia chiusa
- Wentylator wyłączony, żaluzja zamknięta

3

- Ventilador en velocidad rápida, actuando como extractor y persiana abierta (luz naranja encendida)
- Fan on high speed working as air extractor with shutter opened (orange pilot light on)
- Ventilateur en vitesse rapide, en position extraction et avec les volets ouverts (témoin lumineux orange allumé)
- Ventilador em velocidade rápida, actuando como extractor e persiana aberta (luz piloto alaranjada acesa)
- Ventilator im Entlüftungsbetrieb mit hoher Drehzahl und offener Verschlussklappe (orange Betriebskontrollampe leuchtet)
- Sneldraaiende ventilator die lucht afvoert met geopende jaloezieklep (oranje controlelampje aan)
- Ventilator på højeste hastighed til udsugning med jaloesiet åbent. (Orange pilot lampe tændt)
- Ventilatore a velocità rapida funzionando a regime di estrazione con la griglia aperta (lampada spia arancione accesa)
- Wentylator pracuje jako wyciągowy, na wyższej prędkości obrotowej z otwartą żaluzją (pomarańczowa lampka świeci się)

4

- Ventilador en marcha inversa rápida, actuando como impulsor y persiana abierta (luz naranja intermitente)
- Fan in reverse high speed supplying air in the room with shutter opened (orange pilot light on intermittently)
- Ventilateur en vitesse rapide, en position insufflation et avec les volets ouverts (témoin lumineux orange clignorant)
- Ventilador em velocidade rápida inversa, actuando como impulsor e persiana aberta (luz piloto alaranjada intermitente)
- Ventilator im Belüftungsbetrieb (Reversierbetrieb) mit hoher Drehzahl (orange Betriebskontrollampe blinkt)
- Sneldraaiende ventilator die lucht toevoert met geopende jaloezieklep (oranje controlelampje knippert)
- Ventilator til indblæsning med høj hastighed. (Orange lampe blinker)
- Ventilatore a velocità rapida inversa funzionando a regime di pressione con la griglia aperta (lampada spia arancione lampeggia)
- Wentylator pracuje jako nawiewny na wyższej prędkości obrotowej z otwartą żaluzją, (pomarańczowa lampka świeci się przerywanie)

5

- Ventilador en velocidad lenta, actuando como extractor y persiana abierta (luces naranja y verde encendidas)
- Fan on low speed working as air extractor with shutter opened (orange and green pilot lights on)
- Ventilateur en vitesse lente, en position extraction et avec les volets ouverts (témoin lumineux orange et vert allumés)
- Ventilador em velocidade lenta, actuando como extractor e persiana aberta (luzes piloto alaranjada e verde acesas)
- Ventilator im Entlüftungsbetrieb mit niedriger Drehzahl und offener Verschlussklappe (orange und grüne Betriebskontrollampen leuchten)
- Langzaam draaiende ventilator die de lucht afvoert met geopende jaloezieklep (oranje en groen controlelampje aan)
- Ventilator på laveste hastighed til udsugning med jaloesiet åbent. (Orange og grøn pilot lampe tændt)
- Ventilatore a velocità bassa funzionando a regime di estrazione con la griglia aperta (lampada spia arancione e verde accesa)
- Wentylator pracuje jako wyciągowy, na niższej prędkości obrotowej z otwartą żaluzją (pomarańczowa lampka oraz zielona świeci się)

6

- Ventilador en marcha inversa lenta, actuando como impulsor y persiana abierta (luz naranja intermitente y verde encendida)
- Fan in reverse low speed supplying air in the room with shutter opened (orange pilot light on intermittently and green on)
- Ventilateur en vitesse lente, en position insufflation et avec les volets ouverts (témoin lumineux orange clignorant et vert allumé)
- Ventilador em velocidade lenta inversa, actuando como impulsor e persiana aberta (luz piloto alaranjada intermitente e verde acesa)
- Ventilator im Belüftungsbetrieb (Reversierbetrieb) mit niedriger Drehzahl (orange Betriebskontrollampe blinkt und grüne leuchtet)
- Langzaam draaiende ventilator die de lucht toevoert met geopende jaloezieklep (oranje lamp knippert en de groene lamp brandt)
- Ventilator til indblæsning med høj åbent (orange pilot lampe blinker or grøn tændt)
- Ventilatore a velocità bassa funzionando a regime di pressione con la griglia aperta (lampada spia arancione lampeggia e verde accese)
- Wentylator pracuje jako nawiewny, na wyższej prędkości obrotowej z otwartą żaluzją (pomarańczowa lampka przerywanie oraz zielona świeci się)



**FITTING AND WIRING INSTRUCTIONS****Important recommendations**

- The installation must be in accordance with the regulations in force in your country.
- If the fan operates as an extractor in a room with a boiler or any other type of appliance requiring air for combustion, check that there are enough replacement air inlets.
- Ensure that voltage and frequency of main supply are compatible with those indicated on the characteristics plate of the appliance.
- Please ensure that a suitable isolator switch is provided in the electrical circuit. The HV-Series fans are Class II (double Electrical Insulation), and therefore, it is not necessary to connect them to earth.
- Check that the appliance is in perfect conditions when unpacking it, as any manufacturing fault is covered by the **S&P** guarantee.

**Installation in windows with a minimum thickness of 3 mm and walls or panels with a maximum thickness of 25 mm**

- Cut a hole following the dimensions indicated on fig. A.
- Dismantle the HV-fan in accordance with the following instructions:
  - Fig. 1.- Loosen the retaining screw (b) which fixes the internal front cover (a).
  - Fig. 2.- Remove the internal front cover (a) by pressing the knobs (c).
  - Fig. 3.- Unscrew the 3 nuts (d) which fix the external grille (e) and separate them from the support plate (f).
- Install the HV-fans as follows:
  - Fig. 4.- Pull the external grille (e) towards you and turn the rubber mounting (g) on the screws (h), towards inner side of the grille.
  - Fig. 5.- From the outside, place the external grille (e) over the hole in the glass. From the inside, turn and push the rubber mountings (g) until they are located against the glass keeping the external grille (e) in its correct position.
  - Fig. 6.- Mount the support plate (f) to the screws (h) of the external grille (e) and tighten the nuts (d) to suit the thickness of the glass:
    - Glass thickness 3 - 14 mm: Fig. 6a.
    - Panel thickness 14 - 25 mm: Fig. 6b.
 Tighten the screws taking care not to flatten the rubber joints between the support plate and the external grille.
  - Ensure that the glass does not contact with the plastic frame.**
  - Fig. 7.- Make the necessary hole in the gland (i), feed the electrical cables through the clamp (j) and connect them in the terminal box (k) as explained in the electrical wiring instructions (fig. B to F).
  - Fig. 8.- Mount the internal cover (a) by slotting the rectangular openings (l) on the top of the cover (a) into the receivers (m) of the support plate (f) until the two knobs (c) are correctly positioned.
  - Fig. 9.- Tighten the locking screw (b).

**Wall mounting (extended fixing rod set accessory must be used)**

- Cut a hole in the wall where the unit is to be mounted, in accordance with the dimensions indicated in fig. A.
- Measure the thickness of the wall and cut the threaded rods (n) 5 mm shorter than this thickness.
- Use the appliance to mark on the wall the position of the fixing holes for the support plate (f), drill the fixing holes and insert the wall plugs.
- Dismantle the HV-fan in accordance with the following instructions:
  - Fig. 10.- Loosen the retaining screw (b) which fixes the internal front cover (a).
  - Fig. 11.- Remove the internal front cover (a) by pressing the knobs (c).
  - Fig. 12.- Loosen the 3 nuts (d) which fix the internal grille (e) and separate it from the support plate (f).
- Install the HV-fan as follows:
  - Fig. 13.- Pull the internal grille (e) towards and take the rubber mountings (g) away from the screws (h).
  - Fig. 14.- Fix the threaded rods (n) to the screws (h) on the external grille (e) with the threaded couplers (p) supplied and put back the rubber mountings (g) on the rods.
  - Fig. 15.- From the outside, place the external grille (e) over the hole in the wall. From the inside, turn and push the rubber mountings (g) until they are located against the wall keeping the external grille (e) in its correct position.
  - Fig. 16.- Mount the support plate (f) on the threaded rods (n) and tighten the nuts (d) to suit the length of the rod sticking out from the support plate (f).
  - Fig. 17.- Fix the support plate (f) to the wall and tighten the nuts (d).
  - Fig. 18.- Depending on the position of the incoming electrical cables, make a hole on the gland (i) on the front cover (a) or in the gland (q) on the support plate (f), introduce the electrical cables through the clamp (j) and

connect to the terminal box (k) as indicated on the electrical wiring instruction Fig. B to F.

Fig. 19.- Mount the internal cover (a) by slotting the rectangular openings (l) on the top of the cover (a) into the receivers (m) of the support plate (f) until the two knobs (c) are correctly positioned.

Fig. 9.- Tighten the locking screw (b).

**Electrical connection**

- The HV range of fans are Class II (double insulated) appliances for which no earth connection is needed.
- For electrical connection, see diagram in Fig. B.

**Use of the Remote Control Unit (supplied complete with support and battery)**

- The Remote Control Unit is supplied complete with battery. Remove the cover at the back of the unit, fit the battery so that the + coincides with the + in the battery housing.
- To achieve correct functioning of the unit, press the selected button on the Remote Control Unit for half a second.
- The Remote Control Unit operates by radio frequency and so it is not necessary to point the controller towards the fan. Hence the controller can be mounted on the wall using the support bracket provided and it will operate without being removed from its mounting.
- One Remote device can be used to control several units.
- The different functions of the Remote Control Unit are as follows:
  - 1- Fan stopped and shutter open (green  $\equiv$  pilot light on).
  - 2- Fan stopped and shutter closed.
  - 3- Fan on high speed working as air extract with shutter open (orange  $\star$  pilot light on).
  - 4- Fan on reverse high speed supplying air in the room with shutter open (orange  $\star$  pilot light on intermittently).
  - 5- Fan on low speed working as air extract with shutter open (orange  $\star$  and green  $\equiv$  pilot lights on).
  - 6- Fan in reverse low speed supplying air in the room with shutter opened (orange  $\star$  pilot light on intermittently and green  $\equiv$  on).
- It is advisable to stop on position 1 when changing the rotation sense.

**Further Information on the Remote Control Unit**

Because of the Remote Control Unit uses radio frequency this enables one Remote Control Unit to control several fans. In cases where several fans are required to operate independently each with its own Remote Control Unit, the signal from the Remote Control Unit should be individually encoded. Each Remote Control Unit and each fan have a 4 digit code with two positions (0-1) which are supplied set to '0000'. This code can be easily changed by setting the digits. The code of the Remote Control Unit must be the same as the code of the fan which it is to control.

**Modification of the code of the Remote Control Unit:**

- Remove the cover at the back of the unit and take out the battery.
- The 4 digit code is placed inside the battery housing on the left side. All the digits are set to the -0- position. Use a small screwdriver to modify the code. To set to position "1", move the digit forward.

**Modification of the fan code:**

- Dismantle the external grille (a-fig. 1) unscrewing first the fixing screw (b-fig. 1) and then press the retention flange (c-fig. 1).
- The code is situated to the right of the pilot lights. The 4 digits are all set in positions "0". To change them, use a small screwdriver. To set position "1", move the digit forwards.