

OWNER'S MANUAL



**SPLIT
AIR TO WATER HEAT PUMPS**

SHP-140ICA + SHP-140ECA



Contents

Basic information	2
Cautions and Warnings.....	3
Safety precautions	7
Transportation	8
Inspection and storage.....	8
Product description	9
House heating and hot water supply	10
Heat pump functions	10
Specifications	11
Packing.....	12
Dimensions and heat pump appearance	13
Indoor unit.....	13
Control panel	15
Outdoor unit.....	15
Unit description	17
Indoor unit.....	17
Outdoor unit.....	18
Connections between indoor and outdoor unit.....	18
Operation range.....	19
Capacity specifications.....	19
Place of installation.....	20
Method of installation	22
Water connections.....	23
Hydraulic diagram.....	24
Basic components of the heat pump	24
Water pump.....	26
Electrical connections	27
Trial operation.....	27
Maintenance and cleaning	28
Indoor unit.....	28
Outdoor unit.....	28
Check of filling pressure of the heating system.....	29
Common faults and troubleshooting	30
Error messages and solutions	31
Options.....	31
Recycling.....	31
Warranty conditions	31
Service	32
SAFETY DATA SHEET.....	33
Manufacturer:	40

Basic information

Welcome in the world of air-source water heat pump. Your decision to purchase heat pump will reward you for many years. This is your assurance that you have purchased quality heat pump system, which is manufactured based on the latest level of knowledge and innovation.

We are pleased to introduce new powerful high temperature heat pump S-THERM+ series, which has been tested based on EHPA and EN 14511 standards and reached excellent results in energy-efficiency; these results are indicated in submitted protocols.

Control units of existing air-water heat pumps adjust refrigerant quantity through thermostatic or electric expansion valve to set temperature based on temperature and pressure of refrigerant without taking into consideration status of additional nodes of heat pump system.

Control unit of SINCLAIR S-THERM+ heat pump optimizes the control process of heat pump comprehensively, which means that control unit uses several additional data sources, gathered in important nodes of the whole system. Control process is thus expanded with the data of outdoor temperature, compressor temperature, refrigerant temperature and pressure, position of control valves, heating water temperature and flow, air flow through evaporator etc.

This comprehensive way of heat pump controlling can react more quickly and precisely to the changes of physical quantities, which have influence on the efficiency of the whole system. Next advantage brings the fact, that monitoring these important physical quantities gives the control unit the possibility to foresee expected changes and react in advance. As a result of this, control process becomes smoother without fluctuations and overshooting, which is typical for existing less sophisticated or versatile control units. Operation of SINCLAIR S-THERM+ heat pump system is thus much more stable.

High temperature heat pump SINCLAIR S-THERM+ and its control unit was designed as a complex system providing efficient management of thermal energy to guarantee balanced and efficient operation of a house, inclusive integration of solar cells as a additional source of thermal energy and a possibility for swimming pool heating. But the system is of course for its operation dependent on continuous supply of necessary amount of electric energy from distribution network. For the case of power supply failure, there is the possibility to add a special optional battery operated GSM module, which can in the case of power failure send SMS message to given telephone numbers informing about this event; in case of fatal failure of the system, message defining current status can be sent to the user, giving him a chance to take necessary steps for system operation recovery or to take necessary measures.

Standard equipment includes also LAN module, which gives the possibility of remote control and monitoring via internet network.

Read before use

The following instructions will guide you through the whole documentation. Besides this operation manual there are also other manuals to be respected. Please read this operation manual and installation instructions carefully and keep these manuals on a safe place. Should there will be a change of user of this product, please pass this manual to a new user. Make this manual available for service engineers when providing service and maintenance work.

When operating the unit, please follow strictly all instructions also for other components of your heating system. Let an authorized service company to make detailed training in operation of heat pump system. During operation please make only activities, described in this operation manual.

Manufacturer takes no responsibility for any damage, caused by not following operation instructions.

Qualified persons

Product positioning, its installation and commissioning can be done only by trained person, working in accordance with all instructions in operation and installation manual.

Safety

Where children or persons with limited physical, sensory or mental capabilities are to be allowed to operate this equipment, ensure that this will only happen under supervision or after appropriate training by a person responsible for their safety. Children should be supervised to ensure that they do not play with the equipment.

For your information

Pictures and drawings in this manual are for your information only. The manufacturer reserves the right to make a change or improvement to the product when necessary, without prior notification of the users of this device.

Quality check upon receiving product

Upon the unit delivery, please check if there is any damage due to transport. If any damage is found on the unit, please inform the transport company or the manufacturer in written form immediately.

If the heat pump should be installed later, please protect it against damage, rust or abrasion taking the following measures:

1. All input locations like water connections must be sealed correctly.
2. Unit must be protected from sunshine and placed in locations with a temperature below 45°C.
3. Unit must be protected from dust to avoid dirt coming to the evaporator.
4. Unit must be stored in a place, where it creates no obstacle and can cause no accident.
5. Please check the unit regularly when stored.



This product is equipped with European Union compliance sign CE.





This product was tested by state accredited laboratory.

Cautions and Warnings




In order to protect users and other people from possible harm caused by this unit and in order to avoid damage to the unit or other property and to guarantee proper use the heat pump, please read this manual carefully and follow given instructions.

The piping connection and wiring should be installed according to the local laws and regulations as well as the profession standard. Mainly work on electrical parts and on refrigerant circuit requires professional qualification. Heat pump system (indoor and outdoor unit) can be operated (with the exception of maintenance) only with closed casings. In other case there can come under unfavorable operation conditions to damage on equipment or even to personal injury or death.


Remarks to symbols



Symbol	Meaning
 WARNING	Incorrect handling could result in personal injury or death.
 CAUTION	Incorrect handling may result in minor injury, or damage to product or property.





Remarks to icons



Icon	Meaning
 Prohibition!	Subject of prohibition is indicated next to the icon.
 Mandatory action!	Indicated action must be done.
 Warning!	Follow given instructions.





Warning

Icon	Meaning
 Mandatory action!	If you find there is a fault or abnormal behavior of the unit, stop operation and switch off by disconnecting power cable from the socket, or by switching off main switch or circuit breaker. (Risk of smoke/fire/electrical shock).





Installation	Meaning
 Must be done by qualified person.	In order to avoid mistakes like wrong sealing of water connections, risk of electrical shock or fire, installation of heat pump must be done by qualified person.
 Good earth connection necessary.	Please check good earth connection of the unit and power supply, otherwise there is a risk of electrical shock.



Operation	Meaning
 PROHIBITION	DO NOT INSERT your finger and other objects into fans and evaporator, otherwise there is a risk of injury.
 Switch off power supply	If the unit does not run properly or you can feel a strange smell, it is necessary to switch the unit off immediately and stop the operation. Otherwise there is a risk of electrical shock or fire.
 Switch off power supply	If water or foreign objects entered the unit, switch off power supply immediately.
 Switch off power supply	If circuit breaker trips frequently, disconnect the unit from power supply.





 PROHIBITION	Do not insert your fingers or other objects into indoor or outdoor unit, rotating parts could cause an injury.
 PROHIBITION	Do not put any objects on the unit or directly under it.

Transport and repairs	Meaning
 Ask for help	If it is necessary to move the unit or to make a new installation, please ask for help your supplier or a qualified person. Wrong installation can cause water leakage or risk of electrical shock or fire.
 Ask for help	If it is necessary to repair the unit, please ask for help your supplier or a qualified person. Wrong repair can cause water leakage or risk of electrical shock or fire.
 Prohibited	It is prohibited to make repairs by yourself, as this can cause risk of electrical shock or fire.
 Warning!	It is recommended to wear protective gloves when providing maintenance or repairs.

Caution

Installation	Meaning
 Place of installation	Unit MUST NOT be installed near combustible gases. If there is a gas leakage, there is a risk of fire.
 Security of the unit	Make sure the installation place for the unit is strong enough, in order to prevent tilt or fall of the unit.
 Circuit breaker of power supply	Make sure the power supply line is equipped with a circuit breaker, otherwise there is a risk of electrical shock or fire.
 Power supply cable	Do not use for power supply cables which are modified or combined, do not use extension cords or cables with unknown origin or parameters, otherwise these could be overheated and cause a fire.

 Power supply cable	If power cable is damaged, it must be replaced by a qualified person in order to avoid a risk of electrical shock.
 Earth connection	Unit must have a good earth connection, otherwise there is a risk of electrical shock or fire.

Operation	Meaning
 Place of installation	Please make a regular check (once per month) of the installation place, in order to see, if there is no tilt or damage to the base, which could lead to person injury or unit damage.
 Switch off power supply	Switch off power supply when cleaning or providing maintenance of the unit.
 PROHIBITION	It is strongly prohibited to replace a fuse by a piece of wire. Correct value of fuse must be determined by a qualified specialist.
 Warning!	Do not operate the unit with wet hands, in order to prevent the risk of electrical shock.

Safety precautions

1) Prevention of explosion and fire

Some parts of heat pump (indoor unit) can become very hot.

Do not touch any pipes of heating system which have no thermal insulation.

Do not remove any parts of casing.

2) Prevention of frostbites

Supplied heat pump (indoor unit) is charged with refrigerant R407c. This refrigerant contains no chlorine and thus represents no damage for ozone layer of the Earth. Refrigerant R407c is not inflammable and forms no risk of explosion. But leaking refrigerant can cause frostbites on affected areas.

In case of refrigerant leak do not touch any part of heat pump.

Do not inhale fumes or gases, which come out from leaks.

Prevent contact refrigerant with skin or intrusion into your eyes.

When there is a refrigerant contact with a skin or intrusion into eyes, search for medical assistance.

3) Prevention of injuries

The air coming out from the outdoor unit is colder than outdoor temperature. By temperatures below 5 °C can come to ice forming in this area. This ice represents a certain danger of slipping.

Do not forget possible ice forming under the outdoor unit. Take necessary measures to prevent possible danger to persons near the outdoor unit.

4) Prevention of injuries due to unqualified modifications

Do not damage or remove seals and safety locks on individual parts of the unit. Modifications of sealed and locked parts can be done only by authorized service engineers and customer service.

Prohibition to make any changes is valid for:

- heat pump system,
- surroundings of heat pump system,
- water and electricity supply.

Please make under no circumstances any modifications or changes in the heat pump system or in other parts of heating system and hot water preparation.

Please do not make any additional site structural changes, which could restrict available space for the unit or other steps, which could lead to a temperature changes on indoor unit installation place.

5) Prevent possible damages to the house caused by condensate water

Piping system between indoor and outdoor is cold which means the condensate can form on piping inside the house. This could lead to a material damage, e.g. as a result of corrosion.

Please make sure the piping insulation is not damaged.

When there is a insulation damage, please call service engineer immediately.

6) Prevent environment damage

Heat pump (indoor unit) contains refrigerant R407c. This refrigerant must never escape into the atmosphere. Refrigerant R407C is a fluorinated greenhouse gas with GWP 1774 (GWP = Global Warming Potential) covered by the Kyoto Protocol. If this refrigerant escapes into the atmosphere, its effect is 1774 times stronger than the natural greenhouse gas CO₂.

Before disposal of the heat pump, refrigerant in the system must be completely sucked up into a suitable container in order to have later the possibility to recycle or to dispose the refrigerant according to the valid rules and regulations.

Please ensure all maintenance work connected with access to the refrigerant circuit is made only by officially certified qualified persons and using corresponding protection tools and equipment.

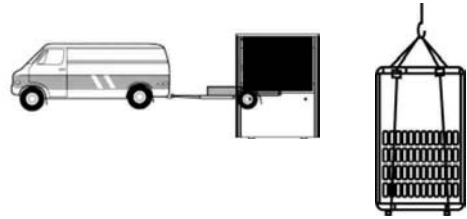
Please let the refrigerant in the heat pump system to be recycled or disposed by a qualified person in accordance with valid rules and regulations.


Please consult all matters related to the installation, repairs, dismantling or moving the unit with the authorized supplier. Wrong made installation can lead to water or refrigerant leak, risk of electrical shock or fire.

Transportation

Please transport the unit always in the upright position. Do not lay it on its side, otherwise some internal parts could be damaged. During transportation and loading down avoid any sudden movements. When moving, touch the unit always on its base part. When using a fork lift, use always a protective block between the forks so that there is no damage to the unit and its covers. This protective block must be along the entire width of the unit.

If it is necessary to lift the unit during the installation, it is necessary to use a rope 8 m long and to insert some soft protective material between rope and the unit to prevent damage of covers. See the picture to the right. Fork lift can be use to lift the unit too, as the package has a strong wooden base.



 PROHIBITION	DO NOT TOUCH heat exchanger with your fingers and other objects!
--	--

Inspection and storage

Upon delivery it is necessary to see the packing list and check all items, if the delivery is complete.

It is also necessary to check, if there is no damage on any delivered part.

When there is any damage, please inform transportation company immediately. After unit acceptance the manufacturer takes no responsibilities for any damage during transportation.

WARNING!

Sharp edges and exchanger surface can cause injury. Please do not touch these parts.

Product description

The air-source heat pump extracts heat from outdoor air and transfers it into water. Heat pump systems consist of separated circuits, where heat is transferred from its source to the heating system using liquids or gases. As these circuits use different media (air, refrigerant and heating water), circuits are connected through heat exchangers. These heat exchangers provide transfer of thermal energy.

Heat pump is used to heat buildings using accumulating hot water into heat water tank (using the tank is not a condition for heat pump operation), where water tank must have a volume appropriate to the building size. Size of accumulated water tank must be determined by a designer, based on the thermal loss of the building. Effective heating of the building is reached by circulation of this heated water. When using under floor heating, the heat pump can reach COP value up to 4,5. Normal water temperature for under floor heating is 35 °C, temperature 40 °C to 50 °C is used for heating with fan coils (heat exchangers with fan), temperature 35 °C to 60 °C is used for radiators, or other temperature can be used based on the request of the user. If necessary, the unit can also work in reverse mode and heat pump can be used for cooling. When used for cooling, water is cooled down to the temperature of 12 °C.

Compared with oil boiler, gas boiler and electric heater represents the heat pump the best solution thanks to its efficiency, safety and environment protection.

This high temperature air-water heat pump uses advanced technologies for heating and intelligent control system to produce water warmer than 60 °C. Heat pump can therefore supply hot water for under floor heating, heat exchanger (fan coil) or radiator and thus replace water boiler directly.

Heat pump can be furthermore used for production of high temperature water for sanitary purposes, as for example for use in kitchen, for showers and so on.

Any other purpose of using can be considered as utilization, which is not in compliance with its determination. Manufacturer/supplier takes therefore no responsibility for any damage thus incurred. The risk is on the side of user.

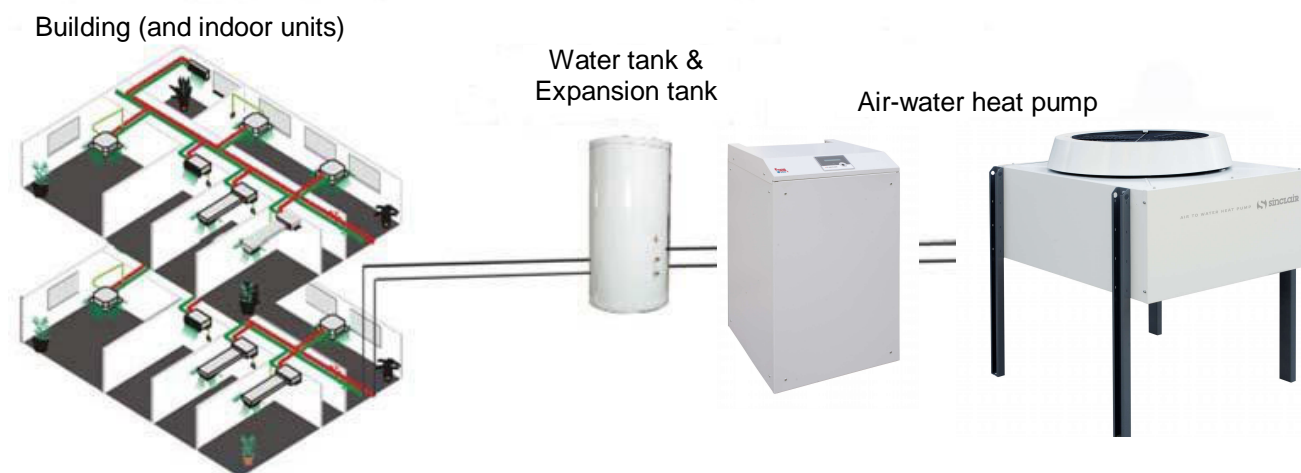
System consists of two units (indoor and outdoor), which are connected with a copper refrigerant piping. Other components and parts of the heating system are delivered and installed by installation company or other subcontractor and it is necessary to use components, according to the purpose and utilization of the system.

Connection between heat pump and accumulation tank should be as short as possible, as simple as possible any with minimal bends. In case it is necessary to make a bend, it is recommended to make an elbow rather than a bend. Size of the connection between heat pump and accumulation tank should be at least DN25, so that sufficient flow of 2,0-2,8 m³/h can be guaranteed.

Heat pump is equipped with one auxiliary electric heater, which can be used:

- To support heating and hot water supply when there is an insufficient heat supply from heat source.
- For an emergency mode, when there are faults with permanent heat pump switch off.
- To keep emergency protection against frost during these faults.

Auxiliary electric heater can be used for heating and/or hot water supply.



Heat pump can be used for two circuits (example)

Illustrations have only informative character, the final solution will be prepared by a designer or the installation company.

Heat pump is equipped with an intelligent control system with the possibility of controlling up to 18 switch relays with the capacity of 230V/2A max. Besides this, the system can control two step motors of expansion valves and the control board has two outputs with voltage 0 to 10V for exchanger fan speed control or heat pump compressor control. Heat pump can be controlled from supervising system via communication cable or can be controlled remotely via Internet or mobile phone; for more details and possibilities please see **Operation manual**.

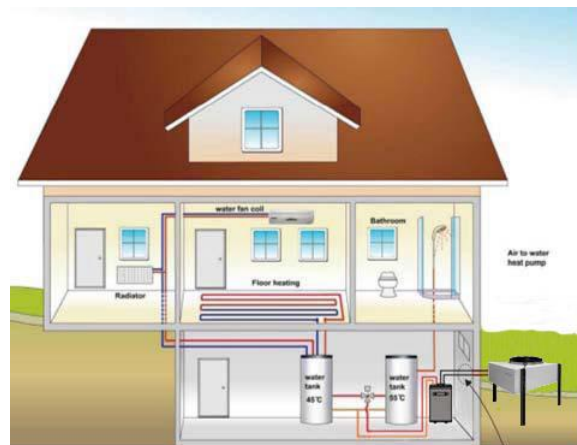
IMPORTANT REMARKS:

Illustration above shows only the main parts and the main purpose of utilization; several additional components must be installed by qualified person in order to guarantee safety and maintenance possibilities, as for example water connections, venting valves, flexible piping, control valves, pressure gauges, water filters, water temperature gauges, drainages and similar.

House heating and hot water supply

As the heat pump can supply hot water with the temperature even over 60 °C, it can provide also water for sanitary purposes when second tank for hot water is provided.

REMARKS: To accomplish the whole system, it is necessary to use additional components and control.



Copper connection pipes

Heat pump functions

1. Protection of our planet with the help of green technology.
2. Heat pump transfers the heat from the air into the heated area without any combustion, no waste is created, no harmful gases are emitted - clean environment is preserved and less waste is created.
3. Help for the population thanks to high efficiency and money saving.
4. Heat pump is driven by electric energy and its average coefficient of performance (COP) can be higher than 4,0. With the help of timer function users can use electric energy during periods of lowest cost and so save money for the whole family.
5. Save operation.
6. Utilization of heat pump for heating can prevent possible risk of electric shock or burning and people are protected against explosion or poisoning.
7. Easy operation.
8. Heat pump is controlled and protected by control board, requested water temperature is set based on real requirements. Protecting system can ensure operation even under heavy conditions.
 - Heating mode
 - Cooling mode
 - Evaporator defrost
 - Control temperature correction (time constant, temperatures, equithermal control)
 - Programming (timer setting)
 - Priorities
 - Rate utilization
 - Emergency mode

Heat pump system switching off

If it is necessary to switch off the system of heat pump, it must be completely disconnected from power supply.

Specifications

Below given values are only informative. Actual specifications can be found on nameplate of the unit.

Heat pump system can be operated under all rates of electric energy consumption.

Model	Outdoor unit		SHP-140ECA
	Indoor unit		SHP-140ICA
Capacity*		kW	14,18
Power input*		kW	3,10
COP*		-	4,56
Range of operation temperatures	Heating	°C	-20~40
	Cooling	°C	18~40
	DHW (domestic hot water)	°C	-20~40
Range of output water temperature		°C	12~60
Energy class (35 °C / 55 °C)		-	A++ / A++
Indoor unit power supply		V/fáze/Hz	400/3/50
Maximal operating current		A	14,5
Electric heater	Number	ks	1
	Power input	kW	3,0
	Operating current	A	4,5
Compressor	Model	-	ZH13KVE-TFD
	Brand	-	Copeland EVI
	Type		SCROLL
	Number	ks	1
	Power input**	W	4240
	Rated current (RLA)	A	7,33
Water pump	Model		STRATOS PARA 25/1-8
	Power input	W	140
	Min/Max head	m	1/8
Refrigerant	Type	-	R407c
	Refrigerant charge	kg	7,5
Fan	Motor	typ	ZN063-6IH.BD
	Power input***	W	90,5
	Speed***	r/min	535
	Max. pressure***	Pa	33,9
	Air flow***	m ³ /h	4500

* Parameters are for condition A7/W35

** For evaporating temperature -15 °C and condensing temperature 60 °C

*** Day mode, outdoor temperature < 5°C (81% max. speed)

Model	Outdoor unit		SHP-140ECA
	Indoor unit		SHP-140ICA
Outdoor unit dimensions (w*d*h)		mm	1168x1066x1195
Indoor unit dimensions (w*d*h)		mm	597x596x991
Outdoor unit weight		kg	96
Indoor unit weight		kg	176
Acoustic power level L_W outdoor unit		dB	60,3
Acoustic power level L_{pWA} indoor unit		dB	55,4
Acoustic pressure level L_{pA} indoor unit v 1 m		dB	41,2
Acoustic pressure level L_{pA} outdoor unit v 1 m		dB	43,9
Acoustic pressure level L_{pA} outdoor unit v 10 m		dB	30,4
Max. temperature of heating water		°C	60°C
Electrical protection (type C)		A	16
Refrigerant pipe	Liquid / Gas	mm	12/20
	Standard length (precharged)	m	8
	Pipe max. length	m	30
	Pipe max. height difference	m	15
	Operation pressure	MPa	3,2/0,02
Water pipe	Diameter	mm	DN25 (1")
	Optimal flow	m ³ /h	2,8
	Minimum flow	m ³ /h	2,0
	Pressure drop	kPa	19,9
	Max. operating pressure	MPa	0,6

Dimensions and heat pump appearance

Indoor unit

Indoor unit appearance

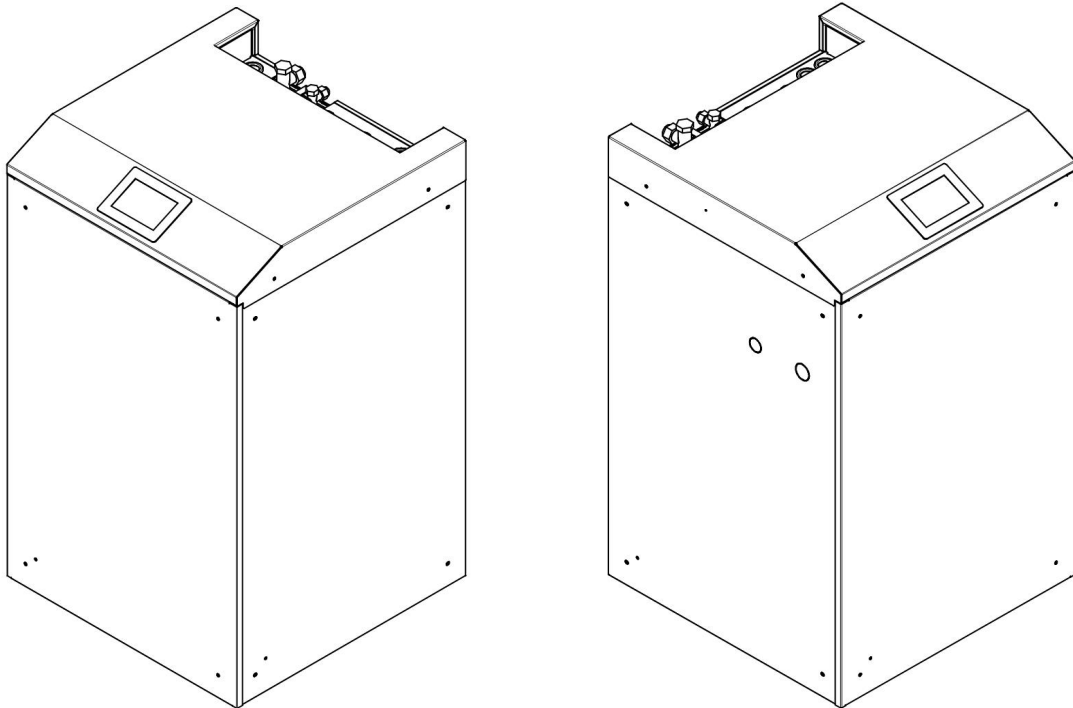


Description

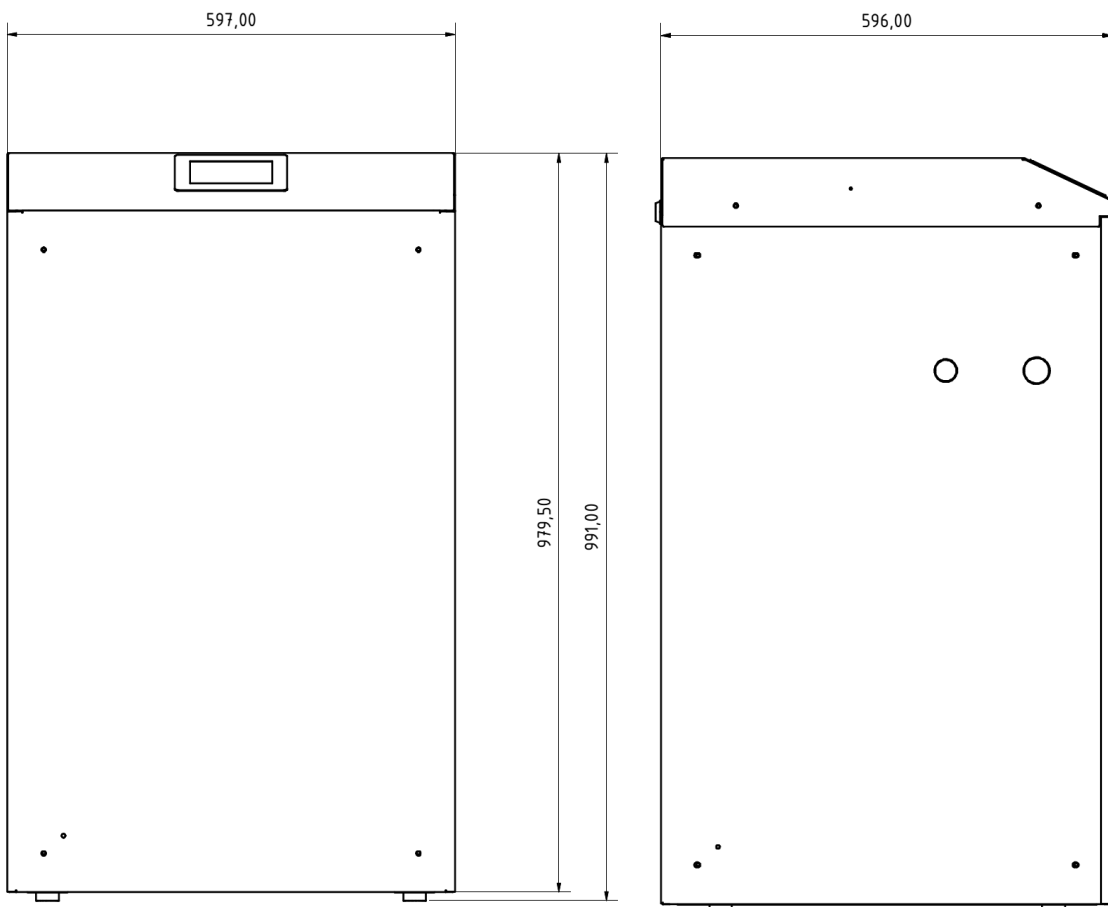
Indoor unit provides efficient heat exchange between the refrigerant circuit and the water circuit and is located inside a house or a building. Indoor unit stands on a steel base with four rubber feet. Heat pump components are located inside the indoor unit. Side parts of the unit are made of painted plates. Side and rear covers are fixed with screws, front cover is removable with the help of two small handles. Upper cover panel is made of plastic. Control panel with display and rotary selector (JOG) is located on the front part of the upper cover. Piping and electrical connections are guided from upper side and are not covered.

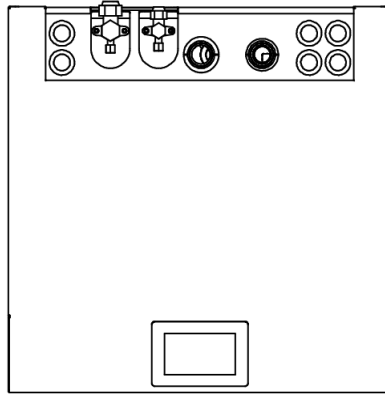
Components of refrigerant circuit are inside the heat pump (indoor unit) covered with insulation, so that no condensate can be formed on these parts. If anyway some small quantity of condensate water is formed, it is collected into a water tray. Water tray is located inside the heat pump, in its lower part. Heat created inside the heat pump causes evaporation of this condensate water in the tray. Small quantity of condensate can be drained out under the heat pump. Creation of a small quantity of condensate water means no malfunction of the heat pump.

Views



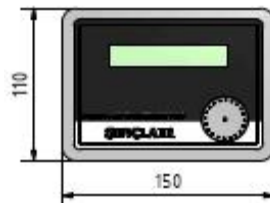
Dimensions





Control panel

Dimensions



Outdoor unit

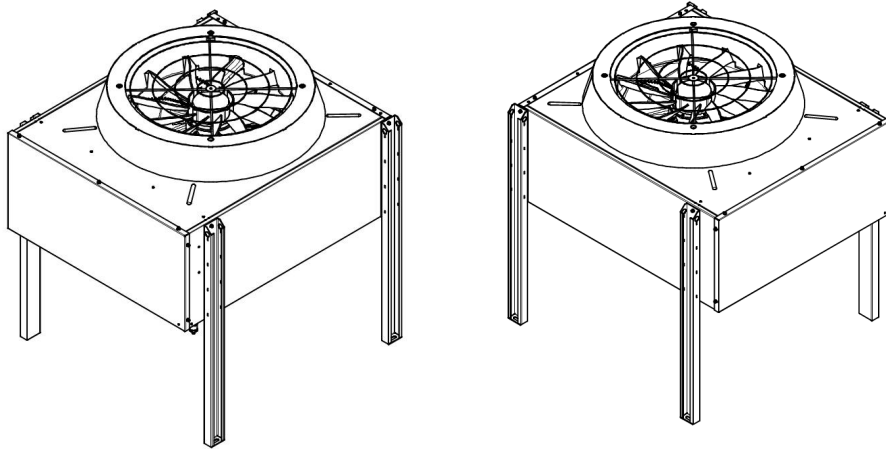
Outdoor unit appearance



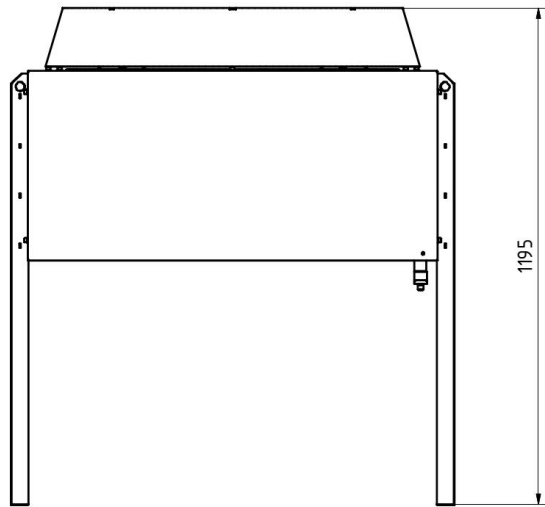
Description

Outdoor unit (evaporator) is located outside a house or building. Main part of the unit is the evaporator, which is covered from upper side, from back side and from cover sides with metal plates, which are fixed by rivets and therefore are not removable. Front metal cover is fixed with screws and covers electric box for communication and power cables connection. Fan is located in the upper part and is protected with a black grill. The evaporator stands on four feet.

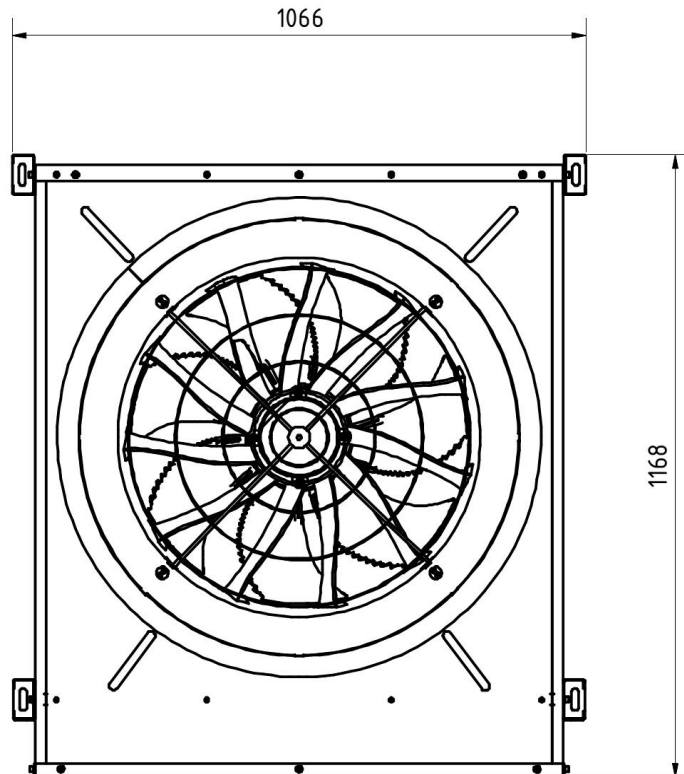
Views



Dimensions

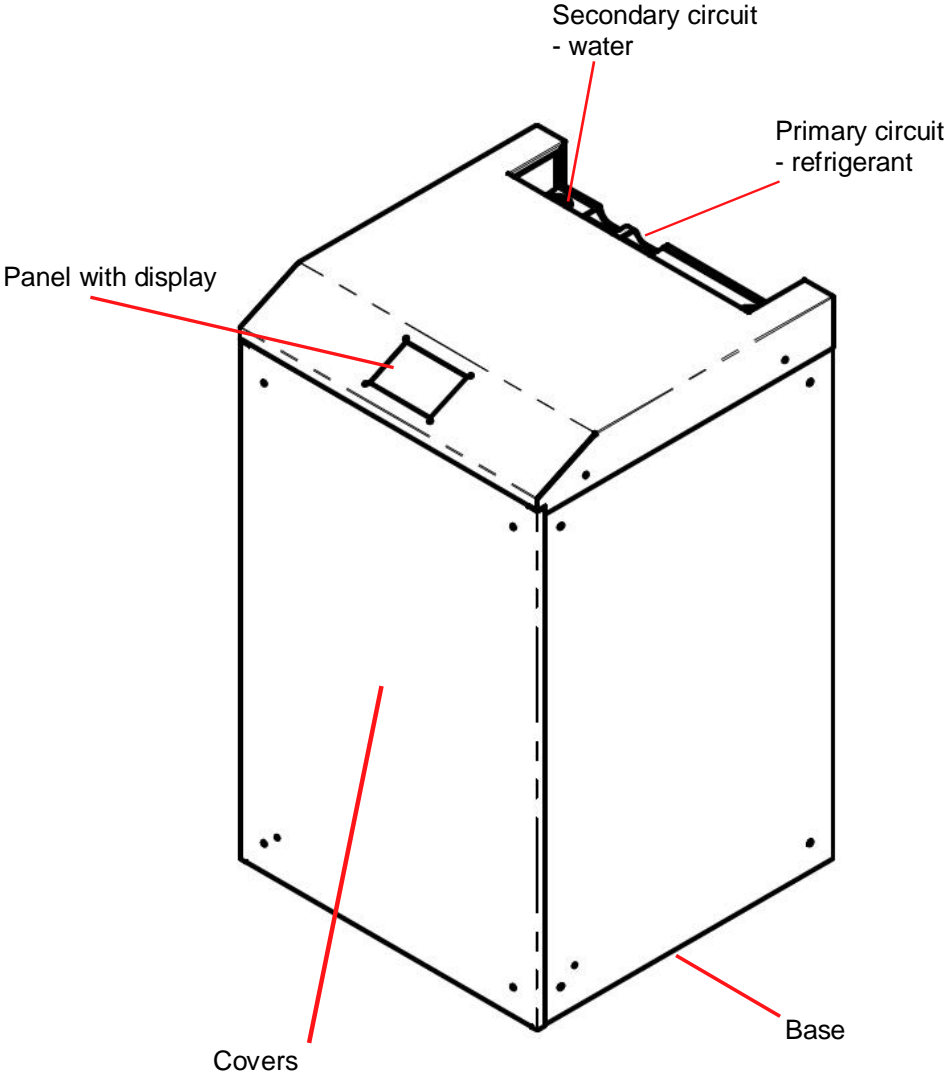


Console dimensions

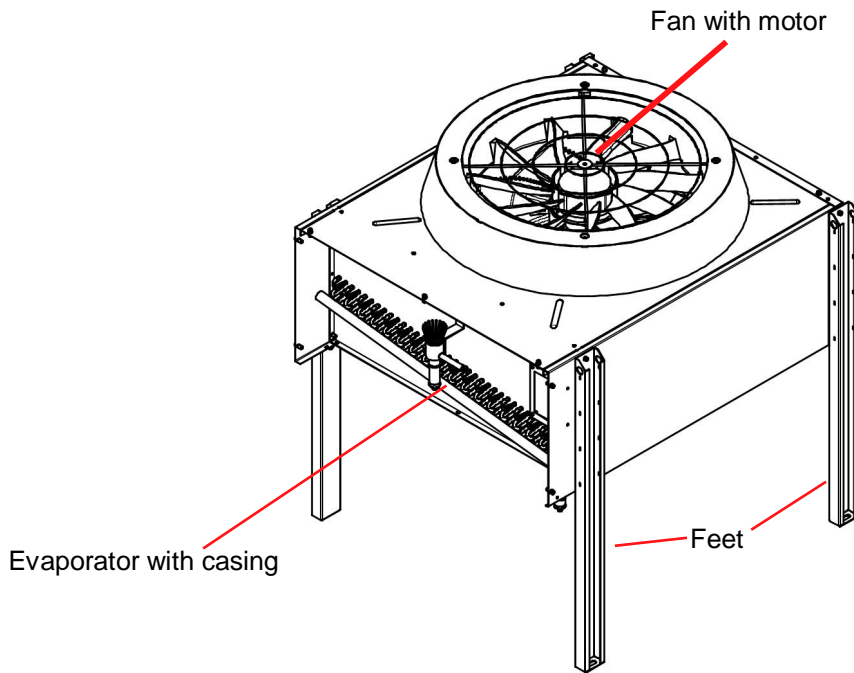


Unit description

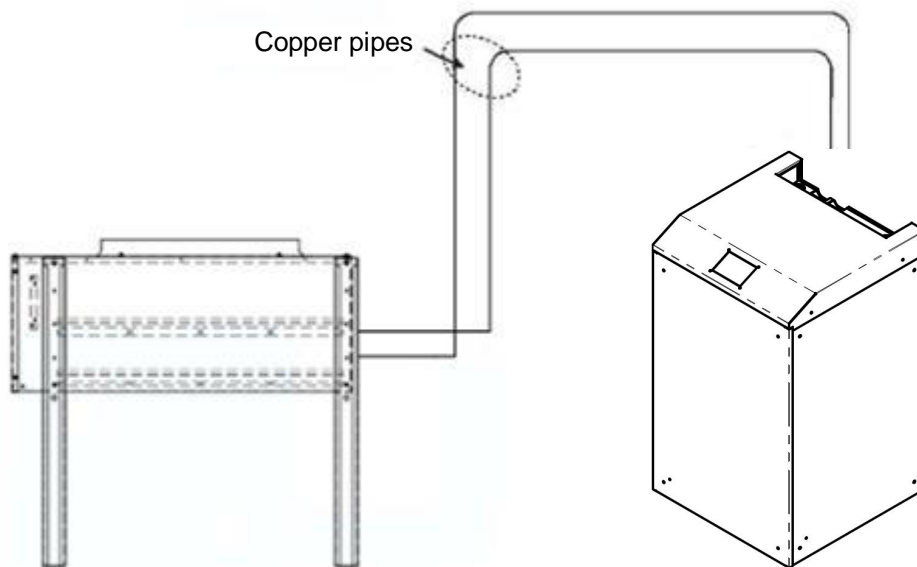
Indoor unit



Outdoor unit

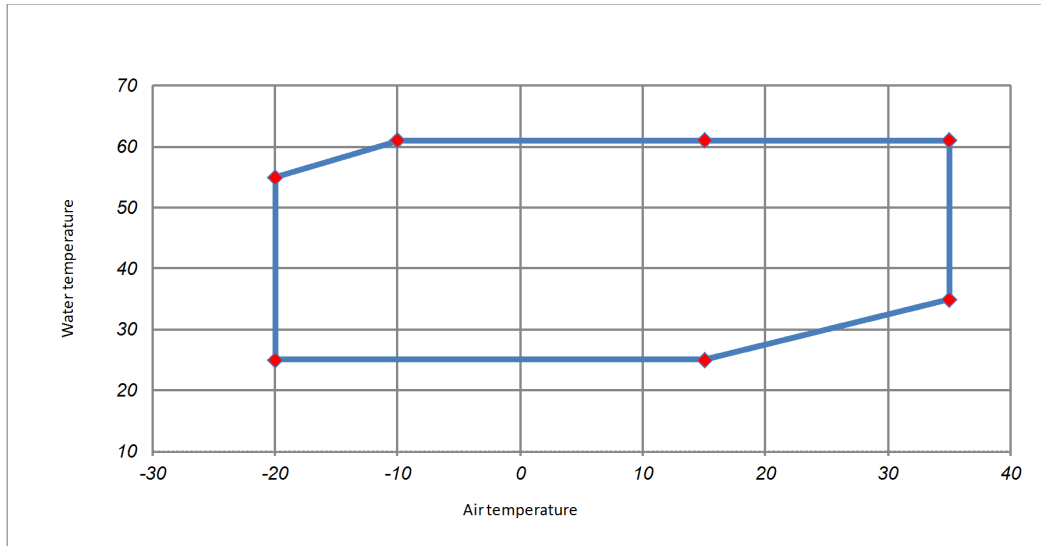


Connections between indoor and outdoor unit



Copper pipes are used to connect indoor and outdoor unit. Piping must be installed by specialized company and piping must be as short as possible and with minimum bends. Specialized company will install also communication and power supply cables.

Operation range



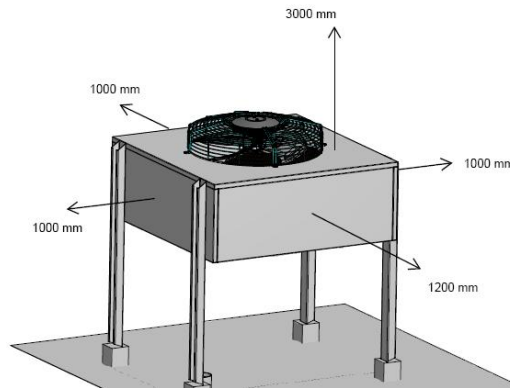
Capacity specifications

CAPACITY SPECIFICATIONS		
Ambient temperature (A) / Output water temperature (W) (°C) *		
Model		SHP-140
A7/W35	Corrected heating capacity (kW)	14,17
	Effective electric power input (kW)	3,10
	Heating COP (-)	4,56
A2/W35	Corrected heating capacity (kW)	8,78
	Effective electric power input (kW)	2,29
	Heating COP (-)	3,83
A7/W55	Corrected heating capacity (kW)	14,61
	Effective electric power input (kW)	4,53
	Heating COP (-)	3,22
Values measured according to the Standard EN 14511-2:2012 / EHPA. Measurement contains also defrosting cycle.		

Place of installation

Outdoor unit

- Outdoor unit can be installed on any place outside, which can carry the weight of this heavy unit as e.g. terraces, terrain etc.
- Place of installation must be protected against influences of heat or fire.
- It is recommended to use protective covers or roofs to protect the unit against snow in winter.
- Areas of heat pump air input and output must not be blocked by any obstacles.
- Drainage channel must be built around the unit to drain condensate water. See Method of installation.
- Place of installation must be protected against strong air blowing.
- There must be space enough left around the unit for maintenance and service work.



WARNING

Danger of injury due to ice formation!

The air coming out from the outdoor unit is colder than outdoor temperature. Therefore ice can be formed by temperatures below 5 °C. This ice represents a danger of slipping.



WARNING

Danger of damage or malfunction due to a blown snow!

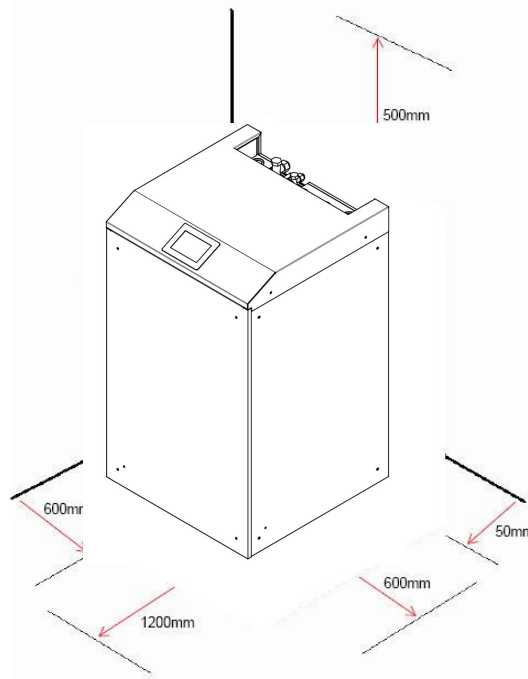
Areas of air input and output must remain free of obstacles in order to guarantee sufficient and not hindered air flow.

Outdoor unit must be installed in a distance at least 3 m from public roads.

- Please ensure locally common and by law determined minimum distances are kept to the following objects: vegetation, canvas, walls, open fire and heat radiation, places where children can play.
- Please keep air input and output of outdoor unit free of frost.
- Operation of outdoor unit emits a certain level of noise, which can become stronger on hard surfaces; therefore place of installation must be chosen very carefully. (These value are dependent on heat pump performance).

Indoor unit

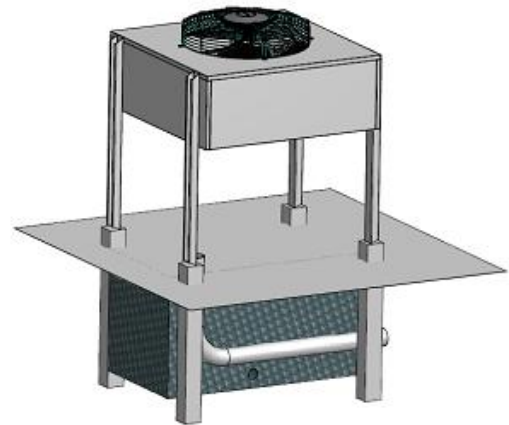
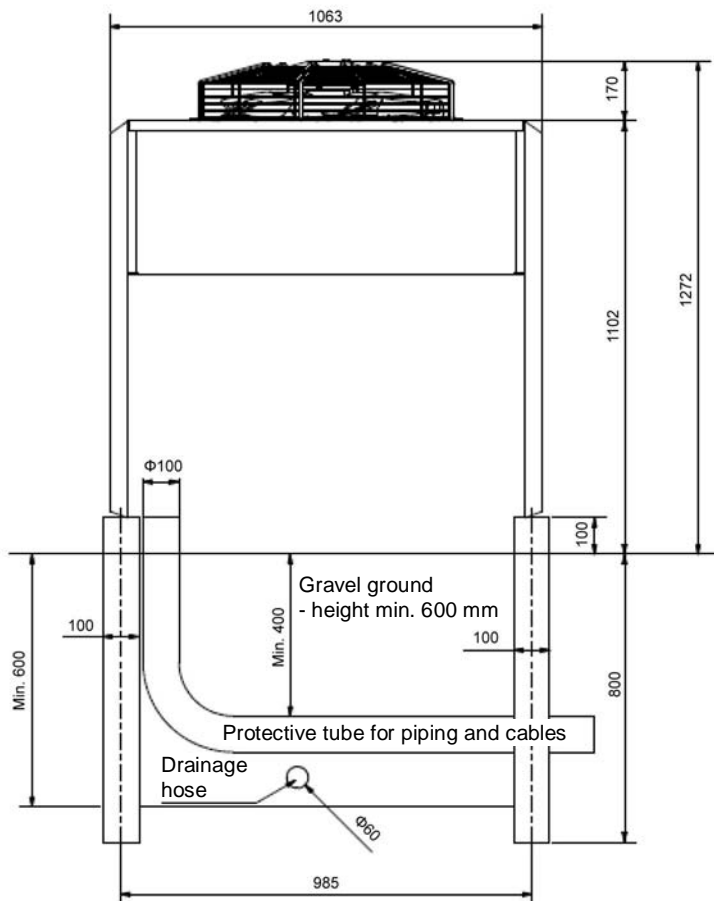
- Place of installation must have a good ventilation.
- Indoor unit must be installed inside a house or building (cellar, veranda, service or technical room etc.) on a dry place, where unit will be permanently protected against frost and where temperature range of 7°C to 25° is kept, or on any other place which is clean, bright and has a good ventilation.
- Place of installation should have a minimum volume (V_{\min}) according to the standard EN 378; $T1 \cdot V_{\min} = G/c$, where G is a refrigerant charge in kg and c is an applicable limit value in kg/m^3 (for refrigerant R407c the value of c is $0,31\text{kg}/\text{m}^3$). Minimum volume for the unit SHP-180ICA is $25,8\text{m}^3$.
- It is prohibited to make any additional construction work, which could lead to the volume reduction or any other modification, which could cause a change of temperature on indoor unit installation place.
- If the unit is installed on a free accessible place, it is necessary to protect the unit by a suitable securing covers.
- As an installation place is recommended to select a place, where unit will not disturb surroundings by its operation noise or by hot air.
- The unit should be installed close to electric power supply.
- Covers of the unit are made of painted steel, please protect these parts against humidity.
- Upper side of the unit is made of plastics, please protect this part against heavy objects.
- Please leave a sufficient space around the unit for maintenance and service work.



Method of installation

Heat pump can be installed on the floor on a concrete base using spacer screws or on a metal frame using rubber feet. Please ensure the unit is installed horizontally.

- 1) Prepare a foundation for outdoor unit installation.
- 2) Build concrete pillars, where feet of the outdoor unit will stand. Respect all principles for construction work and security.
- 3) Lay a drainage hose for condensate drainage and cover with gravel to the height of about 200 mm.
- 4) Lay copper piping and communication cables in a protective tube into the requested place and positioning.
- 5) Put additional gravel up to the top of the hole and align with terrain.
- 6) Fix feet of outdoor unit to the foundation using suitable screws.



Water connections

When making water connections, take into consideration remarks below:

- Heat pump is determined to be connected to a closed system of central heating. In order to guarantee fault-free operation, central heating installation must be made by authorized specialized persons and in accordance with corresponding standards and rules.
- Try to reduce water resistance in the piping.
- Piping must be clean and without any dirt and obstructions. It is necessary to make a leak test and check that there is no water leaking.
- Piping pressure test must be done separately. **DO NOT MAKE** the test, when the heat pump is connected.
- There is a flow switch mounted inside the heat pump. Ensure correct connection of this switch and its function and its control by control unit.
- It is better to make the connection between the heat pump and the building as a flexible connection, so that transfer of vibrations is eliminated. Water piping holders must be made independently and must not use the unit of heat pump.
- Try to prevent air presence in a water piping and mount venting valve to the upper part of water distribution system.
- For easy inspection during the operation, it is necessary to install temperature and pressure gauge to the water input and output.
- Lower parts of water distribution system must be equipped with a drain outlet and a drain outlet is already mounted on the heat pump frame. If heat pump is not running, then it is necessary to drain the water from the system in winter time. For water distribution system venting, a venting valve must be mounted on the upper side of the system. For easy maintenance, it is not necessary to make an insulation on the drain part and venting valve. Drain parts and venting valve are not parts delivered with the heat pump; these parts must be supplied by an installation company.



Danger of equipment and system damage due to the use of water with high content of calcium and magnesium!

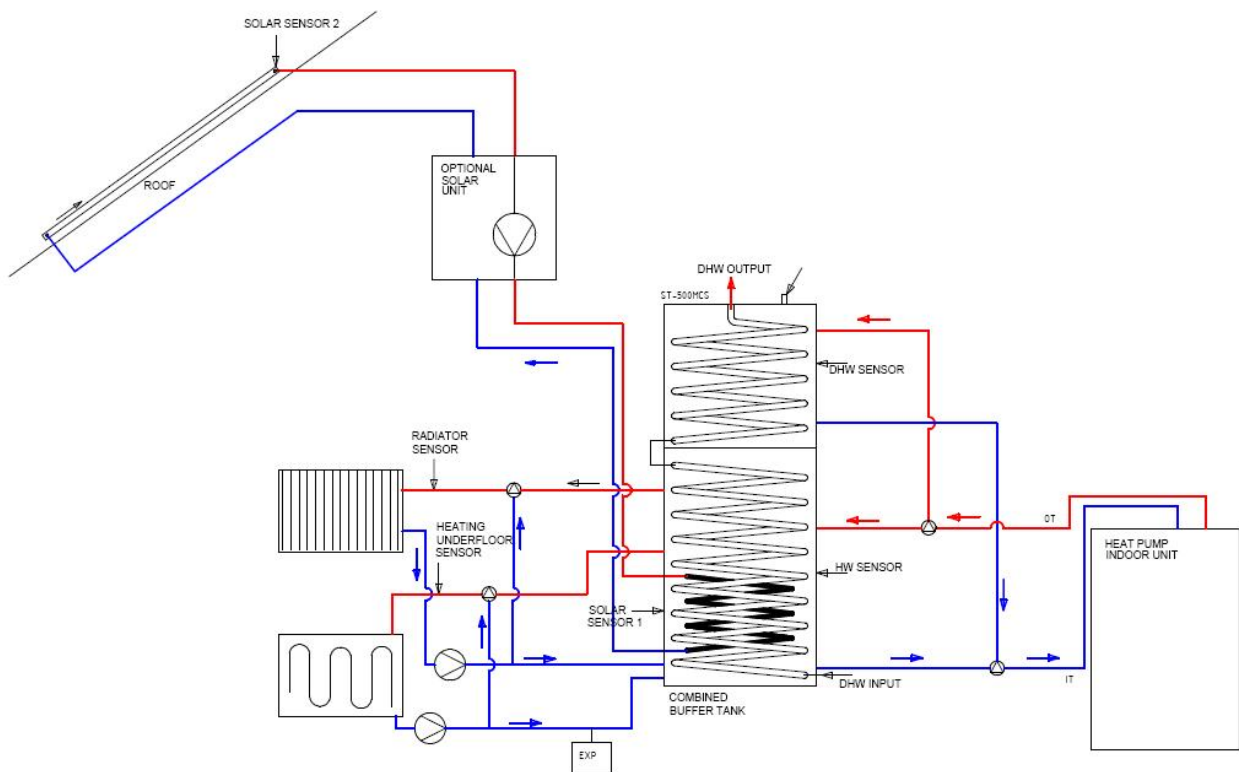
Hydraulic diagram

Basic components of the heat pump

Install hydraulic components according to the local requirements analogically to the following examples of hydraulic diagram. (This example of hydraulic diagram does not contain all closing and safety parts, necessary for professional installation.)

Version 1: Heat Pump with a Combined stainless flow water heater for DHW located in buffer tank for water for heating circuit.

This is the most complex solution - system consists of combined multipurpose free flow accumulation tank, which serves for heating of domestic hot water (DHW) and accumulation of hot water for heating and heating system, which consists of radiators and underfloor heating. Optional part can be heating using solar collector.



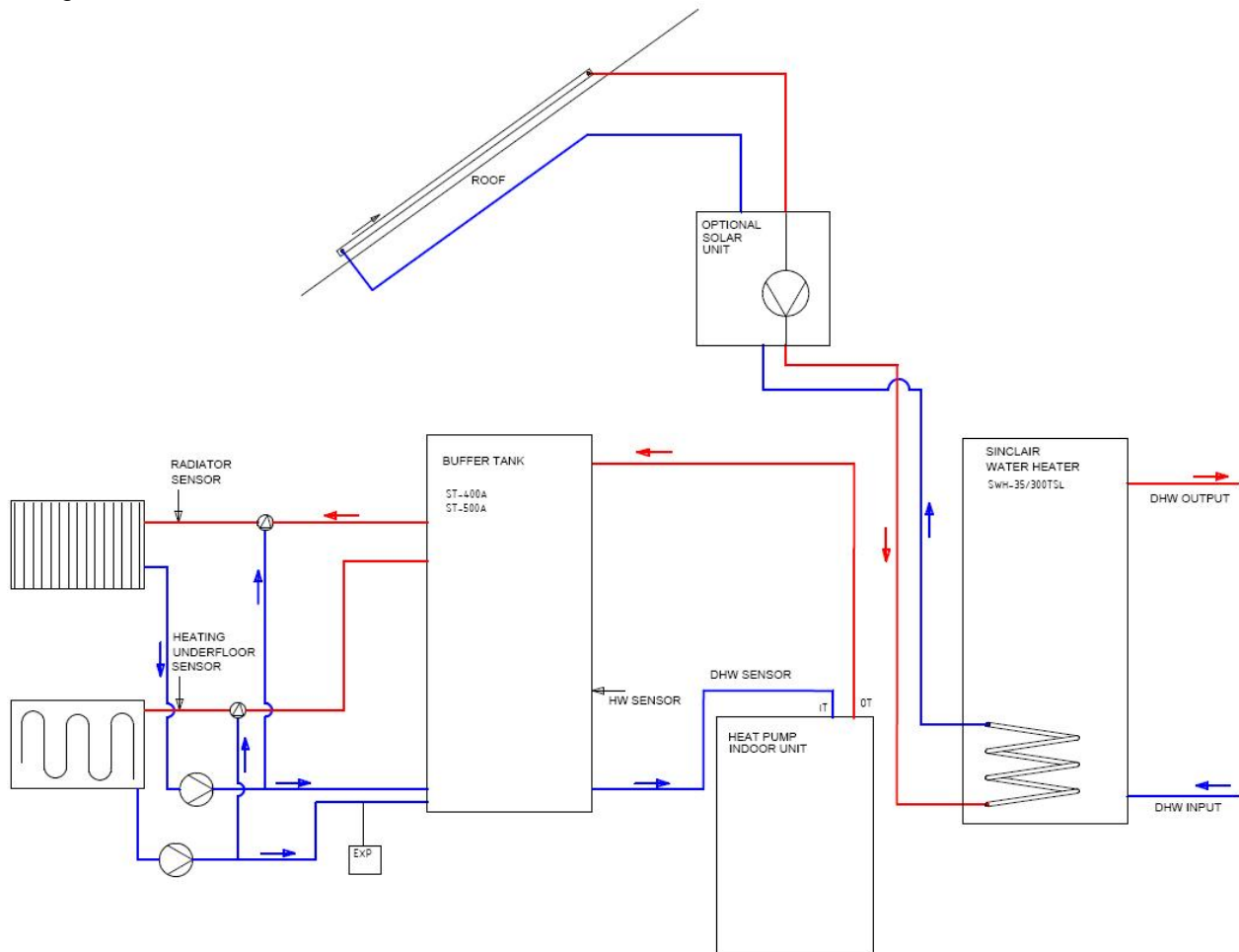
- Simple buffer tank for heat pump for heating water circuit with the volume of 400, 500, 600L in PU foam insulation - very compact (we will deliver). The possibility to connect a solar exchanger. This buffer tank contains also stainless exchanger for DHW heating. Upper 1/3 of the tank provides DHW heating. Lower part of the tank provides DHW preheating.
- 2 pcs of 3-way valve for switching between the upper 1/3 of the tank for DHW heating and between the lower 2/3 of the tank for heating circuit: ESBE series VRG 131/132 DN size of connection will be specified later.
- Electronic control of 3-way valves for tank switching: ESBE series 641 (operation time 30 seconds).
- Pump Grundfos for water circulation in radiators (if heating with radiators is installed).
- 3-way valve for equitherm regulation of water temperature in radiators (if radiators are installed): ESBE series VRG 131/132 DN size of connection will be specified later.
- Pump Grundfos for water circulation in underfloor heating (if underfloor heating is installed).
- 3-way valve for equitherm regulation of water temperature in underfloor heating (if underfloor heating is installed). ESBE series VRG 131/132 DN size of connection will be specified later.

3-way valves for equitherm regulation of water temperature in radiators and in underfloor heating will be controlled exclusively by electronic control of the type: ESBE series 671 (operation time 240 seconds).

ATTENTION: this configuration cannot be used for cooling mode.

Version 2: Heat Pump + Sinclair water heater

System consists of accumulation tank for heating system (radiators and underfloor heating); optional solar heating can be also connected. Domestic hot water (DHW) can be then heated by a separate heater (e.g. SWH-15/190T or SWH-35/300TL) without solar heating or SWH-35/300TSL with the possibility of solar heating connection.

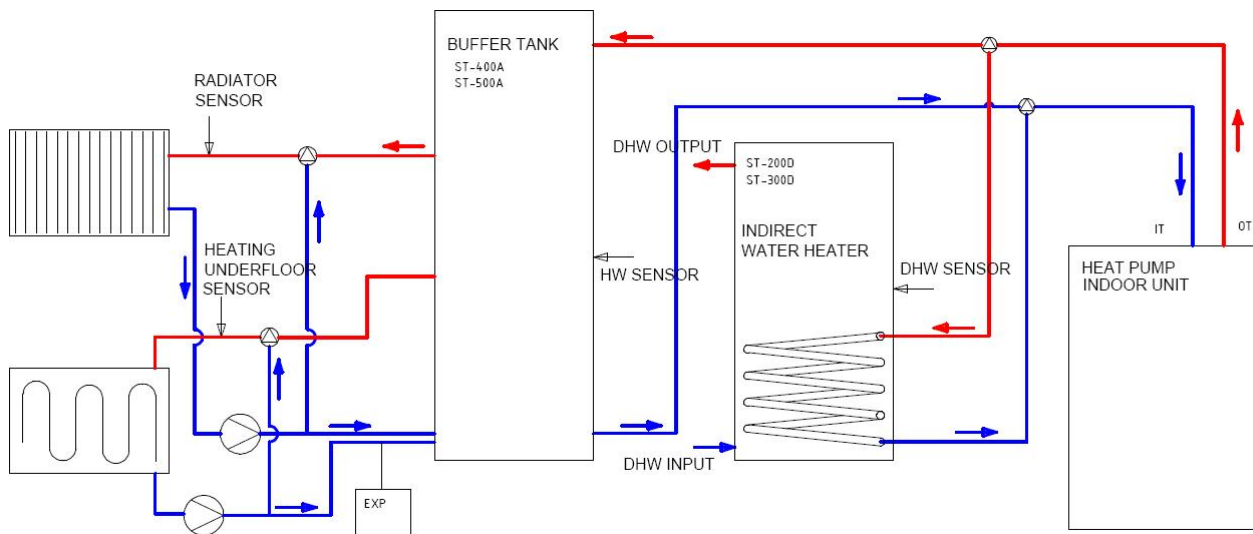


- Simple buffer tank for heat pump for heating water circuit with the volume of 400, 500, 600L in PU foam insulation - very compact (we will deliver). The possibility to connect a solar exchanger.
- Small Sinclair heat pump for independent DHW heating either with solar heating or without this.
- Pump Grundfos for water circulation in radiators (if heating with radiators is installed).
- 3-way valve for equitherm regulation of water temperature in radiators (if radiators are installed): ESBE series VRG 131/132 DN size of connection will be specified later.
- Pump Grundfos for water circulation in underfloor heating (if underfloor heating is installed).
- 3-way valve for equitherm regulation of water temperature in underfloor heating (if underfloor heating is installed). ESBE series VRG 131/132 DN size of connection will be specified later.

3-way valves for equitherm regulation of water temperature in radiators and in underfloor heating will be controlled exclusively by electronic control of the type: ESBE series 671 (operation time 240 seconds). This configuration can be used also for cooling mode. Different types of fan coils can be used as cooling units.

Version 3: Heat Pump with two Separate tanks

System consists of accumulation tank for heating system without the possibility of connecting to a solar heating connected with DHW tank with or without the possibility of connecting to a solar water heating.



- Simple buffer tank for heat pump for heating water circuit with the volume of 400, 500, 600L in PU foam insulation - very compact (we will deliver). The possibility to connect a solar exchanger.
- Separate DHW tank (supplier not known at this moment). Tank will have a capacity of 200 and 300 liters with the possibility of solar exchanger.
- 2 pcs of 3-way valve for switching between DHW tank and tank for heating circuit. ESBE series VRG 131/132 DN size of connection will be specified later.
- Electronic control of 3-way valves for tank switching. ESBE series 641 (operation time 30 seconds).
- Pump Grundfos for water circulation in radiators (if heating with radiators is installed).
- 3-way valve for equitherm regulation of water temperature in radiators (if radiators are installed): ESBE series VRG 131/132 DN size of connection will be specified later.
- Pump Grundfos for water circulation in underfloor heating (if underfloor heating is installed).
- 3-way valve for equitherm regulation of water temperature in underfloor heating (if underfloor heating is installed). ESBE series VRG 131/132 DN size of connection will be specified later.

3-way valves for equitherm regulation of water temperature in radiators and in underfloor heating will be controlled exclusively by electronic control of the type: ESBE series 671 (operation time 240 seconds). This configuration can be used also for cooling mode. Different types of fan coils can be used as cooling units.

Water pump

Circulation pump, seal less type, electronic

Type: STRATOS Para 25/1-8

Maximum discharge: 8 m

Max. flow: 8 m³/h

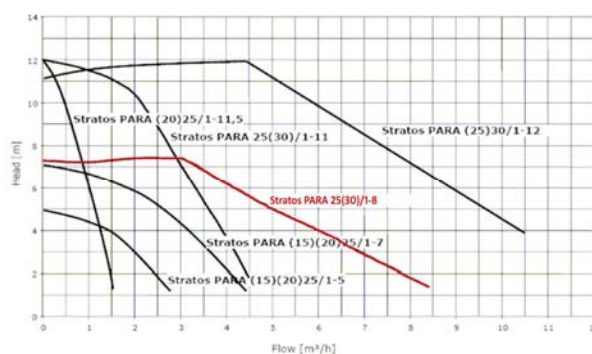
Max. operation pressure: 6 bar

Nominal capacity: 100 W

Speed: 1400-3700 rev./min.

Consumption: 8-140 W

Current by 1~230 V: 0,09-1,30 A



Electrical connections

Before starting the work on electrical connections ensure, the power supply corresponds to the data on manufacturer's nameplate and check also the electric characteristics of the unit.

Important: person making the installation is responsible for connection of unit protective circuit breaker, which must have parameters corresponding to the capacity of the unit (see table with electric characteristics of the unit).

Connection to the electric distribution network must be done in compliance with valid standards and regulations.

Procedure for electrical connection: remove the inspection panel, which will allow access to the electrical box. For removing of inspection panel take out the control unit from its holder. Pull the power supply cable through the cable bushing.

WARNING!

Connections must be done according to the wiring diagram, which is located on the electric box.

Wires of power supply cable must be made of copper and must have the cross-section in compliance with valid standards.

Earth connection of the unit must be done through earthing clamp, located inside the electric box.

Power supply voltage must not have fluctuations of more than 10%. Phase unbalance must not be more than 3%.

All wires are connected through screw terminals.

Wire insulation must be removed in the length of 10 mm.

Trial operation

Check before trial operation:


- Check the indoor unit and ensure all pipes are in order and respective valves are open.
- Check electrical connections. Check the power supply, fixing of screw connections, correct connecting according to the wiring diagram and correct earthing of the unit.
- Check the heat pump inclusive all screws and parts of the pump to see they are ok. After switching on check control unit indicators to see there is no malfunction. During the trial operation it is possible to connect a pressure gauge to the test valve and check high pressure (or low pressure) of the gas.

Trial operation:


- After the first power connection heat pump will activate (LCD display will illuminate), necessary test will be done automatically and heat pump is waiting for next settings in stand-by mode.
- Check if the water pump is running and if it is running normally.
- After 1 minute of operation of water pump, compressor will start. Listen, if there is no strange sounds coming out from the compressor (noisy knocking, squeaks...). If this should be the case, switch the unit off and check the compressor.
- Set valves of water distribution so, that warm (cold) water distribution to each branch is correct and corresponds requirements for heating (cooling).
- Check whether the temperature of output water is stable.

Maintenance and cleaning

Indoor unit


 WARNING	Before starting the maintenance and cleaning of the heat pump switch always power supply off!
--	--

- When cleaning the heat pump, do not use thinner, benzene or other aggressive cleaning solutions or powder, do not use water warmer than 40°C.
- Cleaning can be done with a neutral soap or any non-aggressive common cleaner for the use in the kitchen. If you are not sure about steps to be done, ask service engineer to make the preventive maintenance.
- Do not pour water on the control panel of the indoor unit, clean only with a dry and soft cloth.
- Check regularly water supply and venting so, that there is no shortage of water in the system. In some intervals check also the water filter, so that water of good quality is guaranteed. Shortage of water or dirt in the water can damage the unit.
- Operate the unit on a dry and clean place with a good ventilation. In order to guarantee a good heat exchanging and energy saving, clean the heat exchanger once in 1 to 2 months.
- Check individual parts of the unit and the pressure in the system. If some parts are defective, replace these and add the refrigerant as needed.
- Check electric supply and electric system, check if individual electrical parts have no defects, if wire connections are correct. If any part does not work correctly or emits some smell, replace this part in time.
- If the heat pump will not be user for longer time, drain all the water from the system and block all the holes. In order to prevent freezing in winter, drain the water on the lowest part of the heat exchanger. Before re-starting the unit it is necessary to fill the water again and make an overall check.
- Heat pump water distribution **MUST BE** protected against freezing in winter.

 WARNING	If you are not sure about procedures to be done, ask service engineer to make the preventive maintenance!
--	--

Outdoor unit



- Removing the frost from the evaporator must not be done with a sharp object, otherwise the evaporator could be damaged. Frost can be removed using a flow of hot air with a maximum temperature of 50°C or with a mild flow of warm water with a maximum temperature of 50°C.
- Cleaning of the outdoor unit can be done only with all casing mounted.
- Outdoor unit is protected against splashing water and can be therefore cleaned with a soft stream of water.

 WARNING	Danger of damage due to the unqualified cleaning!
--	---

High pressure cleaning equipment can damage plates of heat exchanger behind plates grill.

- Casing cleaning can be done with a soft sponge and warm water (max. 50 °C) and commercially available cleaning agents for household (without sharp particles) in form of water solutions up to the concentration of max. 2 %. Do not use any sanitary cleaning agents containing chlorine or ammonia!

Permanent safe and reliable operation and a long service life can be reached under assumption, that heat system is inspected/maintained at least once a year by a qualified specialist.

 WARNING	<p>Danger of injury and damage due to the unauthorized maintenance and repair!</p>
 PROHIBITION	<p>Never try to make repair or maintenance of the heat pump by yourself.</p>


Service engineer should be authorized for this activity.

In order to guarantee all functions of S-THERM+ unit permanently and to keep correct and approved working order, only original S-THERM+ spare parts can be used exclusively for maintenance and service work!

Check of filling pressure of the heating system

Filling pressure of your heating system can be read on the pressure gauge, which was installed as a part of heating system by a specialized company during the installation. This pressure should be between 1 and 2 bar. When the water pressure drops below 0,5 bar, indoor units switches off automatically and outdoor unit goes into a standby mode and displays an error message.

- Please check this filling pressure of the heating system after the start of operation every day during the first week and then once a half year.


 WARNING	<p>Danger of damage by leaking water!</p>
---	---

When there are leaks, water can leak out and cause some damage.

- In case of leaks, close shut-off valve of cold water in the area of warm water pipe.
- If there are any leaks in the heating circuit, switch the heat pump off.
- Leaks must be removed by a service engineer.

Shut-off valve of cold water is not a part of the heat pump system delivery. It will be installed by a service engineer on the installation place. Service engineer will also explain positions and operation of this valve.

- When the filling pressure drops below 0,5 bar, inform your service engineer and ask him to replenish heating water and to increase filling pressure.

 WARNING	<p>Danger of damage to the equipment and system due to the use of water with a high content of lime, water with corrosive effects or water polluted with chemicals!</p>
---	---

As a result of usage of unsuitable tap water, it may come to a damage of sealings and diaphragms, to clogging of parts of equipment and system where water flows and higher noise can be emitted during heating.

- When it is necessary to replenish, or to drain and re-fill the heat system, please consult the service engineer, who installed your equipment.
- Under certain circumstances it is necessary to test and treat the heating water. You get more info to this also from your service engineer.

Common faults and troubleshooting

Identify and solve the problem with the help of information below.
Problem solving should be done by a qualified service engineer.

Problem	Possible cause	Solution
Heat pump cannot be started	<ol style="list-style-type: none"> 1 Fault in power supply 2 Loose power cable 3 Circuit breaker tripping 	<ol style="list-style-type: none"> 1 Switch the unit off and check power supply 2 Check the power cable and its connection 3 Find the reason of tripping and replace the fuse or switch the circuit breaker on
Operation of water pump is noisy and water is not circulating	<ol style="list-style-type: none"> 1 Lack of water in the system 2 Air in the system 3 Water valves are closed 4 Water filter is dirty and water flow is blocked 	<ol style="list-style-type: none"> 1 Check water quantity and replenish 2 Make venting of water distribution 3 Open water valves 4 Clean water filter
Low capacity of heat pump, compressor runs continuously	<ol style="list-style-type: none"> 1 Lack of refrigerant 2 Wrong insulation of water pipe 3 Low heat exchange ratio on the air exchange side 4 Insufficient water flow 	<ol style="list-style-type: none"> 1 Check there is no refrigerant leak and refill 2 Make a good pipe insulation 3 Clean heat exchanger on the air side 4 Clean water filter
High pumping of compressor	<ol style="list-style-type: none"> 1 Too much refrigerant 2 Low heat exchange ratio on the air exchange side 	<ol style="list-style-type: none"> 1 Remove some refrigerant 2 Clean heat exchanger on the air side
Low pressure in the system	<ol style="list-style-type: none"> 1 Lack of refrigerant 2 Clogged filter or capillary 3 Insufficient water flow 	<ol style="list-style-type: none"> 1 Check there is no refrigerant leak and refill 2 Replace filter or capillary 3 Clean water filter and make venting of water distribution
Compressor is not running	<ol style="list-style-type: none"> 1 Fault in power supply 2 Faulty compressor contactor 3 Loose power cable 4 Tripping of compressor protection 5 Wrong setting of return water temperature 6 Insufficient water flow 	<ol style="list-style-type: none"> 1 Check power supply 2 Replace compressor contactor 3 Make cable connection tight 4 Check compressor temperature 5 Make reset of return water temperature 6 Clean water filter and make venting of water distribution
Compressor too noisy	<ol style="list-style-type: none"> 1 Liquid refrigerant does not come into the compressor 2 Faulty compressor 	<ol style="list-style-type: none"> 1 Wrong evaporation, find the reason of wrong evaporation and solve 2 Use a new compressor
Fan is not running	<ol style="list-style-type: none"> 1 Faulty fan relay 2 Faulty fan motor 	<ol style="list-style-type: none"> 1 Replace fan relay 2 Replace fan motor
Compressor is running, but unit cannot reach heating or cooling capacity	<ol style="list-style-type: none"> 1 Lack of refrigerant 2 Faulty heat exchanger 3 Faulty compressor 	<ol style="list-style-type: none"> 1 Check there is no refrigerant leak and refill 2 Find the reason and replace the heat exchanger 3 Use a new compressor
Low temperature of output water	<ol style="list-style-type: none"> 1 Insufficient water flow 2 Low setting of water temperature demand 	<ol style="list-style-type: none"> 1 Clean water filter and make venting of water distribution 2 Make reset of water temperature demand
Low flow protection	<ol style="list-style-type: none"> 1 Lack of water in the system 2 Faulty flow switch 	<ol style="list-style-type: none"> 1 Clean water filter and make venting of water distribution 2 Replace flow switch

Error messages and solutions


See **Operation manual**

Options

5 pcs temperature sensor in the packing inside the unit.

Recycling

Heat pump system, all parts of options and transport packing are made mostly from materials, which could be recycled; these parts should not be disposed as a household waste.

 WARNING	Environmental hazard in case of unqualified disposal!
--	---

Unqualified disposal of refrigerant can cause environment pollution.

- Please secure the refrigerant is disposed only by qualified persons.


Respect all valid national laws and regulations.

Disposal of packing material

Please ask an authorized qualified service center, which installed the unit to dispose the packing material for the transportation.


Disposal of refrigerant

Heat pump S-THERM+ (indoor unit) uses the refrigerant R 407 C.

 WARNING	Danger of injury caused by contact with refrigerant!
--	--

Leaking refrigerant can cause frostbites on affected areas.

- In case of refrigerant leak do not touch any part of heat pump (indoor unit).
- Do not inhale fumes or gases, which come out from leaks in the refrigerant circuit.
- Prevent contact refrigerant with skin or intrusion into your eyes.
- When there is a refrigerant contact with a skin or intrusion into eyes, search for medical assistance.

 WARNING	Danger of environmental hazard!
--	---------------------------------

This heat pump contains refrigerant R 407 C. This refrigerant must never escape into the atmosphere. Refrigerant R407C is a fluorinated greenhouse gas with GWP 1774 (GWP = Global Warming Potential) covered by the Kyoto Protocol.

- Refrigerant can be disposed only by qualified persons.

Warranty conditions

Manufacturer provides product warranty under terms and conditions, which are stated in a Warranty certificate. Warranty certificate forms an integral part of product delivery and its validity is conditional to filling in all data.

Warranty time is 5 years for indoor and outdoor unit from the date of the first installation of heat pump. Manufacturer guarantees the delivery of spare parts for 10 years from the first installation of heat pump. All warranty repairs will be made by installation company or by the company, which is authorized by the manufacturer.

SAFETY DATA SHEET

R 407C

Safety data sheet reworked according to the ANNEX I of Commission Regulation (EU) No 453/2010

SECTION 1: Identification of the substance/mixture

Chemical name / Synonym: R 407C / Klea 66 / AC 9000
Trade name: R 407C
Usage: Refrigeration
Emergency telephone number: Toxicological information center
+420 224 919 293; +420 224 915 402

SECTION 2: Hazards identification

Classification according to the criteria in Regulation (EC) No 1272/2008 of the European Parliament and of the Council [CLP/GHS]

Hazard classes and categories	Standard phrases about the hazards	Classification process
Gas under pressure	H 280	Based on checked values

Standard phrases about the hazards:

a) Physical hazards: H 280: Contains gas under pressure; may explode if heated.
Additional remark: According to Dangerous Substances Directive (67/548/EEC) is not the substance classified as dangerous.



GHS04
WARNING

Signal word:

Precautionary statements:

Storage: P 410 + P403: Protect from sunlight. Store in a well-ventilated place.

Additional information about the hazards (EU):

Characteristics related to the environment: Substance contains fluorinated greenhouse gases not covered by the Kyoto Protocol.

Cautions to human health and symptoms: Liquid contact could cause frostbites/burns. In high concentrations may cause asphyxiation.
Warning: Vessel under pressure!

Specific hazards for humans and environment: Gas and its vapors are heavier than air. Danger of gas/vapors accumulation in cramped space, possibly also in hollows and spaces, which are located lower than neighboring surroundings (e.g. cellars).

SECTION 3: Composition/information on ingredients

Name of 1. component: 1,1,1,2-tetrafluorethan (R 134a)
CAS Registry Number: 811-97-2
EC Number (EINECS): 212-377-0
REACH Registry Number: 01-2119459374-33
Concentration: 50 - 54 %, resp. 500 - 540 g in 1 kg of product

Name of 2. component: Pentafluorethan (R 125)
CAS Registry Number: 354-33-6
EC Number (EINECS): 206-557-8
Concentration: 23 - 27 %, resp. 230 - 270 g in 1 kg of product

Name of 3. component: Difluormethan (R 32)
CAS Registry Number: 75-10-5
EC Number (EINECS): 200-839-4
Concentration: 21 - 25 %, resp. 210 - 250 g in 1 kg of product
Classification according to 67/548/EC: F+; R 12

Classification of components according to the criteria in Regulation (EC) No 1272/2008 [CLP/GHS]:

CAS Registry Number	EC Number (EINECS)	Component name	Concentration [% hm.]	Classification according to the criteria in Regulation (EC) No 1272/2008 [CLP/GHS]
811-97-2	213-377-0	1,1,1,2-tetrafluoroethane (R 134a)	50 - 54	Gas under pressure, H 280
354-33-6	206-557-8	Pentafluoroethane (R125)	23 - 27	Gas under pressure, H 280
75-10-5	200-839-4	Difluormethane (R 32)	21 - 25	Gas under pressure, H 280 Extremely flammable gas, category 1, H 220

REMARK: According to the criteria in Regulation (EC), product requires no labeling.

SECTION 4: First aid measures

General measures:

Take off all contaminated clothing.
Ensure protection and security of the person, providing first aid.
Seek medical advice immediately.

Inhalation:

Immediately move to fresh air and place in recovery position. Seek medical advice.

Eye contact:

If breathing is stopped: administer artificial respiration with respiration bags (Ambu-bag) or with help of equipment for artificial respiration. Seek medical advice.

Skin contact:

Flush eyes with large amounts of water for several minutes.
Remove contact lenses, if present and easy to do. In case there is contact only with one eye, protect non-injured eye during flushing appropriately. Continue rinsing. Seek medical advice.

Ingestion:

In case of skin contact wash immediately with large amounts of warm water and if possible, take off contaminated clothing. Possible frostbites wash with lukewarm water at least 15 minutes – do not take off clothing. Apply a sterile bandage and call a physician. Ingestion is not considered a potential route of exposure.

Advice for a physician:

In case of breathing smoke/fume during fire with leak of this product, or in case of breathing products of decomposition, always give at first a dose of corticoid spray, e.g. Ventolair or Pulmicort (Ventolair and Pulmicort are registered trademarks).

SECTION 5: Firefighting measures

Suitable extinguishing media:

Product itself is not flammable, choose the one most appropriate for type of surrounding fire.

Unsuitable extinguishing media:

Strong water spray

Specific hazard of the substance or mixture:

If involved in a fire the following toxic fumes may be produced by thermal decomposition. Forming of explosive mixtures with air.

Example: Carbon oxides (CO)
Hydrogen fluoride (HF)
Carbonyl fluoride

Special protective equipment for firefighters:

Wear self-contained breathing apparatus.

Use personal protective equipment protecting the whole body.

Further information:

Cool down the containers/equipment exposed to heat with water spray. Fire or intense heat may cause violent rupture of packages.

SECTION 6: Accidental release measures

Personal precautions:

Evacuate personnel from place of release and prevent entry of unauthorized persons.

Keep persons in a safe distance and stay on the near side of wind (outside air blow direction). Inform the nearest surroundings.

Personal protective equipment:

Protective clothing covering the whole body, leather gloves, respiration equipment.

Chemical and physical measures:

Keep pressure vessel outside sources of heat/open fire, on a good ventilated a cold place.

Environmental precautions:	If possible, stop product release. Prohibit release into the environment - drainage, surface water and soil. Using appropriate method enclose the place of release and prohibit expansion (e.g. floating barrages etc.). Leaking gas/vapor/fog spray with water stream.
Disposal instructions:	Provide sufficient ventilation. After spraying with water stream collect created „mixture“ by a suitable sorbent (e.g. sand, sawdust, universal binder, silica). Affected place and rests wash with water; finally dispose in accordance with local regulations.
Supplementary precautions:	For details to personal protective equipment see Section 8. For details to disposal see Section 13.

SECTION 7: Handling and storage

Precautions for safe handling:	Ensure adequate ventilation and local exhaust on the workplace, and also in floor area (refrigerant R 407C is heavier than air). Protect pressure vessels from falling/tipping over. Open valves slowly, in order to minimize output pressure. Prohibit penetration of substance from system back into pressure vessel. Keep reducing valves free off grease and oil, protect against humidity. Use the substance only in closed systems. Ensure all equipment of the system is connected correctly and tightly.
Basic principles for work:	When working with the substance, always use personal protective equipment described in Section 8. Do not eat, drink and smoke on the workplace.
Measures for protection against fire and explosion:	Product is not flammable.
Conditions for safe storage:	Store separately from other substances in original and closed packing. Warehouse must have a good ventilation (inclusive emergency ventilation), must be dry with a temperature up to max. + 50 °C; it must be equipped with first aid kit, personal protective equipment and must be protected against access of unauthorized persons. Store pressure vessel in upright position. Protect from heat.
Usable materials:	Standardized steel, carbon steel, hardened steel, aluminum alloy, stainless steel.
! Precautions for common storage:	Do not store together with flammable materials. Do not store together with food. Do not store together with feed.
Stability during storing:	When maintaining all conditions for storage and handling is the product stability unlimited.
Specific final usage:	Product can be used in accordance with Regulation (EC) No 842/2006 related to some fluorinated greenhouse gases.

SECTION 8: Exposure controls/personal protection

Products components, which are necessary to monitor - limits of exposure:	<i>none</i>
Engineering measures:	Ensure adequate ventilation and local exhaust on the workplace, and also in floor area (refrigerant R 407C is heavier than air).
Personal protective equipment:	
a) Respiratory protection:	Self-contained breathing apparatus in case of high concentration. For the case of emergency use, have mask of self-contained breathing apparatus always in ready position. In case of rescue action or during maintenance work in a warehouse, always use self-contained breathing apparatus, as there is a hazard of suffocation, because oxygen can be squeezed out from air by refrigerant.
b) Eyes protection:	Additionally wear a face shield where the possibility of increased hazard exists.
c) Hands protection:	Wear chemically resistant protective gloves, leather gloves, possibly also gloves of PVA type.
d) Skin protection:	Protective clothing, safe work shoes.

Exposure limitation:	
Persons:	When working with refrigerant, have always breathing mask with proper filter in ready position. Use self-contained breathing apparatus always when entering area with stored refrigerant and do not take off, until you are sure the air in the area is clean. Always use personal protective equipment and respect general rules for work with chemical substances. Do not breath gases/fumes/aerosol.
Environment:	Prohibit release of substance into environment - drainage, surface water and soil. Product contains fluorinated greenhouse gas, covered by Kyoto protocol.
Hygienic measures:	Do not eat, drink, smoke and blow your nose on the workplace. Wash your hands before the break and after finishing the work.

SECTION 9: Physical and chemical properties

Appearance:	liquefied gas	
Color:	colorless	
Odour /smell:	ether-like	
Value of pH:	not applicable	
Melting point:	- 100 °C	
Boiling point:	- 43,6 °C	(at pressure of 1013 hPa)
Ignition temperature:	685 °C	
Evaporation rate:	not available	
Flammability:	non flammable	
Upper/lower explosive limits:	non explosive	
Vapour pressure:	10350 hPa at 20 °C	
Vapour density:	3,59	(relative; air = 1)
Relative density:	1,133 g/cm ³ at 25 °C	(liquid phase)
Solubility(ies):	in water less soluble	(in solvents not available)
Partition coefficient n-octanol/water:	cca. 0,97	
Auto-ignition temperature:	704 °C	
Decomposition temperature:	not available	
Viscosity:	0,1516 mPa.s	(dynamic, at 25 °C)
Explosive properties:	non explosive	
Oxidizing properties:	not oxidizing	
Other information:	Gas/vapours are heavier than air.	

SECTION 10: Stability and reactivity

Reactivity:	Decomposes hazardous gases if close to fire.
Chemical stability:	Under normal conditions the product is chemically stable.
Hazardous reactions:	Reaction with alkali metals. Reaction with alkaline earth metals.
Conditions to avoid:	Avoid open flames and high temperatures - danger of explosion (or rupture of packaging as a result of increasing pressure inside the vessel). Prohibit access of moisture.
Hazardous decomposition products:	Carbon oxides Fluorofosgen by contact with open fire or glowing objects. Hydrogen fluoride
Thermal decomposition:	No decomposition when respecting handling conditions.

SECTION 11: Toxicological information

Acute inhalation toxicity:	LC50: > 2085 mg/l, exposure 4 hours (rat) (value for 1. component of refrigerant - gas R 134a)
Skin corrosion/irritation:	Slight eye irritation - no special labeling required (rabbit) (value for 1. component of refrigerant - gas R 134a) No skin irritation; by contact danger of frostbites.
Sensitization:	Does not cause respiratory system sensitization (laboratory animals) Does not cause skin sensitization (laboratory animals).
Germ cell mutagenicity:	Tests on mammalian cell cultures did not show mutagenic effects.
Carcinogenicity:	Not classifiable as a human carcinogen even after long exposure.
Reproductive toxicity:	No toxicity to reproduction.
STOT - single exposure:	not determined
STOT - repeated exposure:	not determined
Known issues:	Gas has stifling effect.

SECTION 12: Ecological information

Toxicity:	Acute toxicity for aquatic organism*		
LC50, fish:	450 mg/l	exposure 96 hours	(<i>Oncorhynchus mykiss</i>)
EC50, daphnia:	980 mg/l	exposure 48 hours	(<i>Daphnia magna</i>)
EC50, algae:	not available		
EC10, bacteria:	> 730 mg/l	exposure 6 hours	(increase <i>Ps. Putida</i>)
* value for 1. component of refrigerant - gas R 134a			
Persistence and degradability:	Prohibit emission into atmosphere.	ODP: not available	GWP: not available
Bioaccumulative potential:	not available		
Mobility in soil:	not available		
Bioaccumulation of oxygen:	not available		
Chemical accumulation of oxygen:	not available		
Other adverse effects:	Use in accordance with Regulation (EC) No 842/2006 related to some fluorinated greenhouse gases.		

SECTION 13: Disposal considerations

Waste treatment methods:	When used in refrigeration, no hazardous waste created. Empty pressure vessels should be returned to the supplier for refilling.		
Method of deactivation:	Secure sufficient ventilation. Disposal - see Section 6.		
Method of deactivation of contaminated package:	Pressure vessels not in compliance with actual legislative requirement can be considered as contaminated metal packages. After deactivation of rests of substance in manufacturing base and afterwards washing out with huge quantity of water can be metal packages classified as secondary raw material - scrap-iron.		
Waste catalogue:	<u>Waste key</u>	<u>Waste name</u>	
	14 06 01*	chlorofluorocarbons, HCFC, HFC	
	Waste marked with * are considered to be hazardous waste as declared in Council Directive 91/689/EEC on hazardous waste.		
Recommendation to the product:	Dispose as hazardous waste. Product disposal must be carried out in compliance with Act no. 185/2001 Coll., in the wording of later regulations.		

SECTION 14: Transport information

UN number:	UN 3340		
UN proper shipping name:	REFRIGERANT GAS R 407C (difluoromethane, pentafluoroethane and 1,1,1,2 - tetrafluoroethane, zeotrope mixture with cca 23 % difluoromethane and 25 % pentafluoroethane)		
Road transport ADR/RID:	Transport hazard class(es):	2.2	
	Classification number:	2A	
	Hazard Identification Number:	20	(Kemler Code)
	Packing group:	-	
	Limitations:	(C/E)	
	Name/description:	REFRIGERANT GAS R 407C	
	UN number:	3340	
Maritime/river transport IMDG:	Transport hazard class(es):	2.2	
	Pollution category:	No (No Marine Pollutant - substance is not considered to be water pollutant)	
	Ems regulation:	F-C, S-V	
	Name/description:	REFRIGERANT GAS R 407C	
	UN number:	3340	
Air transport ICAO/IATA-DGR:	Transport hazard class(es):	2.2	
	Name/description:	REFRIGERANT GAS R 407C	
	UN number:	3340	

SECTION 15: Regulatory information

Related regulations:	Act no. 356/2003 Coll., in the wording of later regulations and on an amendment to certain other acts Act no. 258/2000 Coll., in the wording of later regulations and on amendments to other acts Act no. 185/2001 Coll., in the wording of later regulations Regulation (EC) No 1907/2006 of the European Parliament and of the Council [REACH] Regulation (EC) No 1272/2008 of the European Parliament and of the Council [CLP/GHS] Regulation (EC) No 453/2010
Chemical Safety Assessment:	Made by substance manufacturer
Other information - summary:	Product contains fluorinated greenhouse gas, covered by Kyoto protocol.
VOC standard product specification (content of volatile organic substances):	≥ 99%, at temperature of 20 °C and pressure of 10350 hPa

SECTION 16: Other information

Recommended usage and limitations:	It is necessary to comply with valid national and local laws related to the usage of chemical substances. Product can be used in accordance with Regulation (EC) No 842/2006 related to some fluorinated greenhouse gases.
Other information:	All data in Material Safety Data Sheet are valid for pure substance. Become acquainted with Usage Guide on etiquette or leaflet, supplied with the delivery. The information provided in this Safety Data Sheet is correct to the best of our knowledge and belief at the date of its publication. The information given is designed only as a guide and is not to be considered a warranty or quality specification. Real conditions of product processing at subsequent/final user is out of reach of our supervision and inspection. Subsequent/final user takes the responsibility for keeping all laws regulations.
Technical information supply:	Distributor 's address
Reason for revision:	Rework of Safety Data Sheet according to Regulation (EC) No 453/2010 in accordance with Regulation (EC) No 1272/2008 of the European Parliament and of the Council [CLP/GHS].
R-phrase related to the substance mentioned in Section 3:	R 12: Extremely flammable.
S-phrase related to hazards of the substance mentioned in Section 3:	H 220: Extremely flammable gas. H 280: Gas under pressure; may explode when heated.



NEPA, SPOL. S R.O., PURKYŇOVA 45, 612 00 BRNO
 TEL: +420 800 100 285, FAX: +420 541 590 124
 www.nepa.cz, tepelnacerpadla@nepa.cz

INSTALLATION PROTOCOL - HANDOVER PROTOCOL

After Heat Pump installation please fill in this protocol and send latest within 14 days
 to the address: Nepa spol. s r.o., Purkyňova 45, 61200, Brno

Model and Heat pump serial number:	Date of handover:
Customer/provider of equipment: Surname, name: Street, No.: ZIP code: Telephone, fax:	Contractor: Contact person: Street, No., ZIP: Telephone, fax: Email:

System details and equipment inspection:	(add the value or check the box)
Location:	
Ventilation (type, number, area m ²):	
Refrigerant circuit:	Heating circuit:
Pipe installation:	Pipe installation:
Leak check:	Component installation:
Vacuuming:	System flushing:
Charged:	Charging:
Added.....kg, total.....kg:	Leak check:
Pipe insulation:	Venting:
	Insulation:

Component installation:	
(recommendation - usage of heat system components depends on the system design)	
Charging valve:	Filter:
Safety valve for cold water.....bar:	Expansion tank.....liters:
Safety valve of expansion tank.....bar:	

Electrical installation:	
Circuit breaker nameplate check:	Earthing:
Power supply:	Revision made:
Indoor and outdoor unit communication:	

Provider/user got explanations about functions of Heat Pump and its controlling:

User obtained Warranty certificate:

I hereby declare, I made Heat Pump settings according to provider/user demand.
 I declare the Heat Pump was installed correctly according to technical documentation.
 I truthfully checked and marked items in the protocol.

Date:

 Provider/user signature

 Service engineer signature

NOTE CONCERNING PROTECTION OF ENVIRONMENT



This product must not be disposed of via normal household waste after its service life, but must be taken to a collection station for the recycling of electrical and electronic devices. The symbol on the product, the operating instructions or the packaging indicate such disposal procedures. The materials are recyclable in accordance with their respective symbols. By means of re-use, material recycling or any other form of recycling old appliances you are making an important contribution to the protection of our environment. Please ask your local council where your nearest disposal station is located.

INFORMATION CONCERNING USED REFRIGERANT MEDIUM

This unit is containing fluorinated gases included in the Kyoto protocol. The maintenance and the liquidation must be carried out by qualified personnel.

Type of refrigerant: R407C

The composition of the cooling medium R407C: (23% HFC-32, 25% HFC-125, 52% HFC-134a)

The quantity of the refrigerant: please see the unit label.

The value GWP: 1774 (1 kg R407C = 1,774 t CO₂ eq)

GWP = Global Warming Potential

In case of quality problem or other please contact your local supplier or authorized service center.

Emergency number: 112

PRODUCER

SINCLAIR CORPORATION Ltd.

1-4 Argyll St.

London W1F 7LD

Great Britain

www.sinclair-world.com

This product was manufactured in China (Made in China).

REPRESENTATIVE

SINCLAIR EUROPE spol. s r.o.

Purkynova 45

612 00 Brno

Czech Republic

TECHNICAL SUPPORT

NEPA spol. s r.o.

Purkynova 45

612 00 Brno

Czech Republic

Tel.: +420 800 100 285

Fax: +420 541 590 124

www.sinclair-solutions.com

info@sinclair-solutions.com

