

EXADIAL NV / SV (remote telephone control)



EXADIAL NV Ref. 86704

North version - Languages :

French - English - German - Flemish

EXADIAL SV Ref. 86707

South version - Languages :

Spanish - Italian - Portuguese - English

Description

EXADIAL products are used to control SAUNIER DUVAL boilers directly from any push-button telephone or through an SD 5002 room temperature thermostat.

The user is guided by a synthesized voice.

EXADIAL indicates the boiler's current operating status.

From this, it can choose between the following two modes :

automatic mode

frost free mode

As well as the boiler, EXADIAL can be used to manage a second electrical device : lighting, alarm, watering, etc.

EXADIAL is supplied with an access code the user must enter for access to boiler control.

Functionalities

- Activating / deactivating the access code
- Possibility of local control (manual mode)
- The status of each track is displayed on the casing
- Voice synthesis, four languages
- 6 to 7 tones before the line is compatible with an answering machine
- Wall mount
- Supplied with an aide-mémoire
- Inversion of direction of contact at outlet 2
- Timed operation (1 to 255 hours)

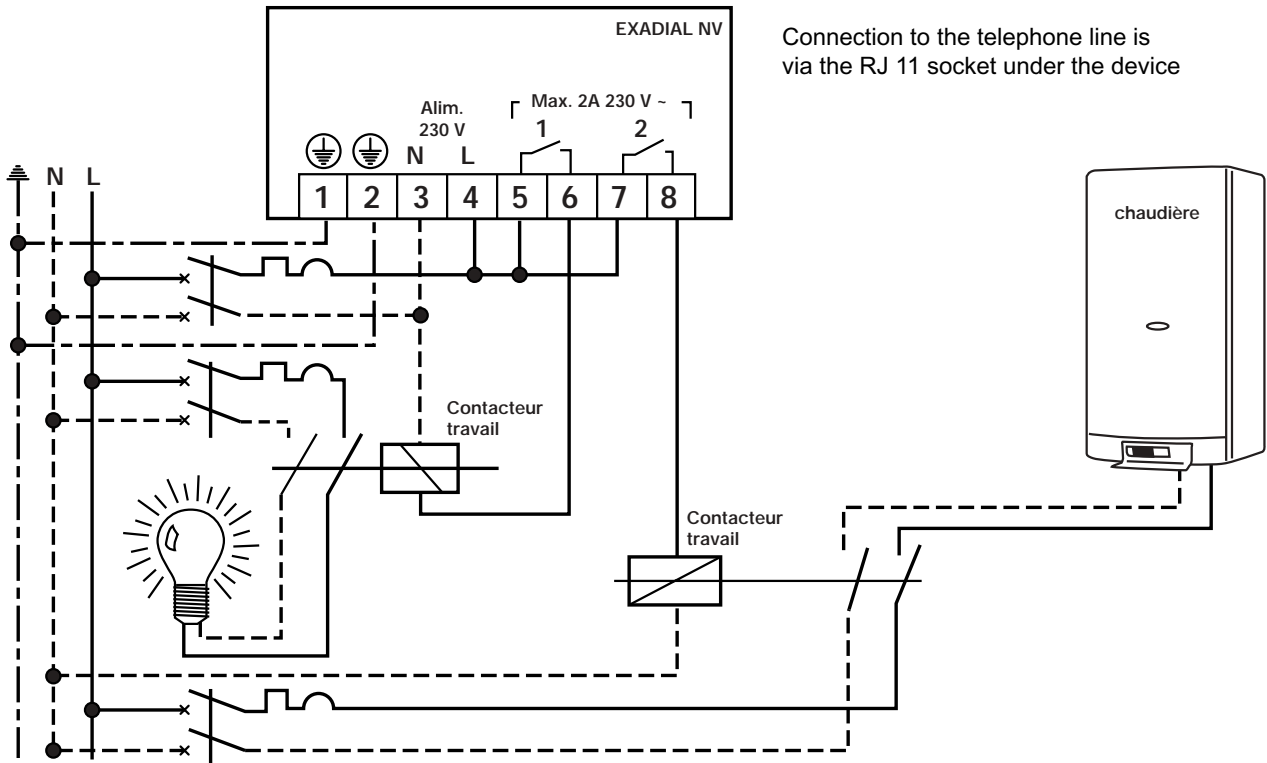
Caractéristiques techniques

- Power supply : 230 V, 50 Hz
- 2 working contact outlets, 2 A 230 V
- Insulation class 2
- Protection against lightning
- Space requirement : 127 x 85 x 40 mm
- Compatibility to the phone network according to CTR21 European certification

Control accessories 86704 / 86707... continuation

Remote Control

Example of On/Off operation



Useful advice for On/Off operation

- Step 2 :

When the code entered is incorrect, the device informs you with the «wrong code» message. You have 3 attempts to enter the right sequence, otherwise the device hangs up.

- After 35 sec. without pressing a button on your telephone, EXADIAL NV hangs up.

- You have 3 minutes in which to complete all your operations.
- Buttons must be pressed during silent periods.

