



Parts List

Air Conditioner

FILE NO.

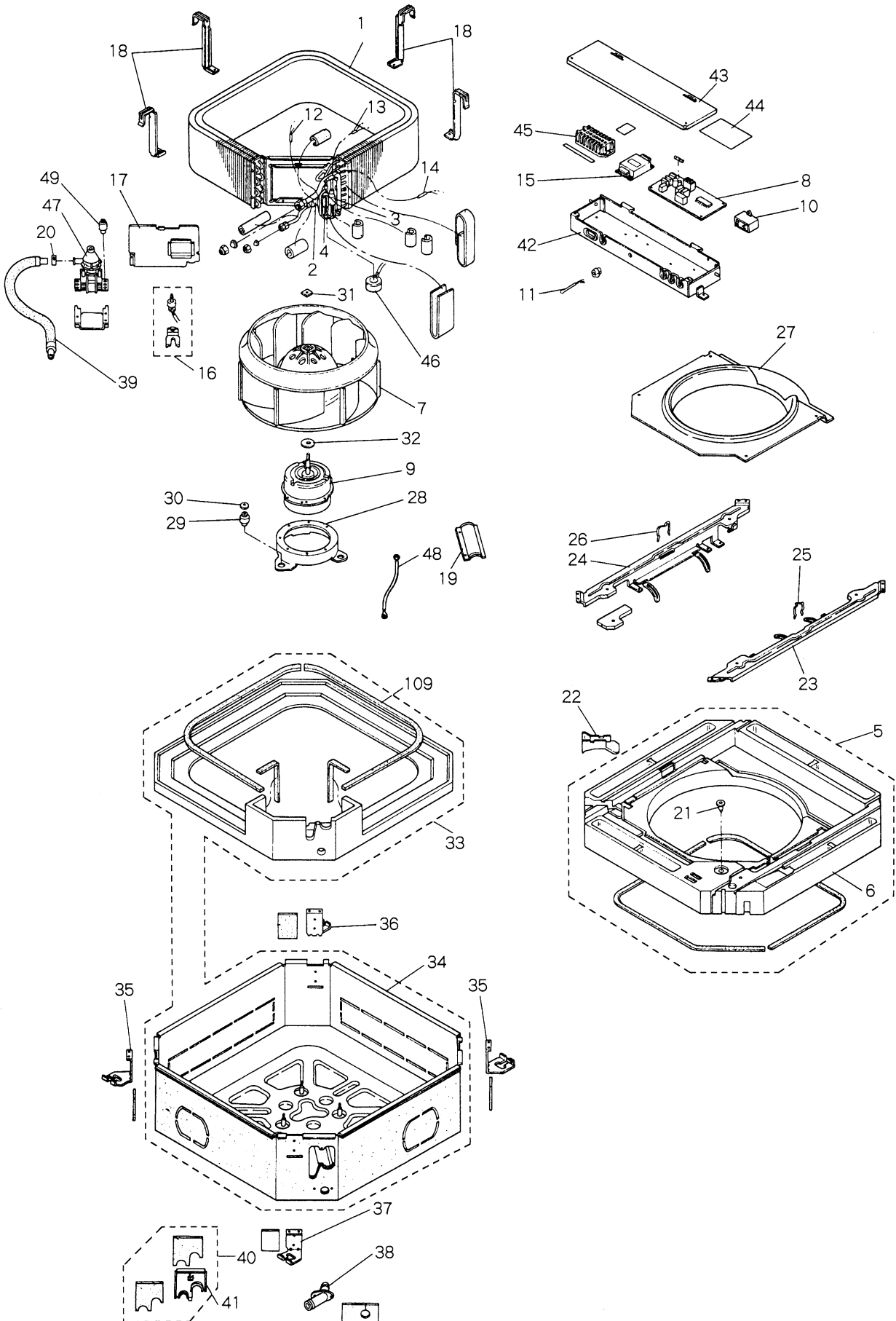
INDOOR UNIT
 SPW-X123GH56
 SPW-X183GH56
 SPW-X253GH56

| INDOOR UNIT | | APPLICABLE OUTDOOR UNIT | VOLT / ϕ / Hz |
|--------------|--------------|-------------------------|---|
| MODEL No. | PR. CODE No. | MODEL No. | |
| SPW-X123H56 | 854 011 33 | SPW-C703/903GY8 | IN : 220-240 / 1 / 50 OUT : 380-415 / 3 / 50 |
| SPW-X183GH56 | 854 011 34 | SPW-C703/903GYH8 | |
| SPW-X253GH56 | 854 011 35 | SPW-C253GH5/GH8 | |

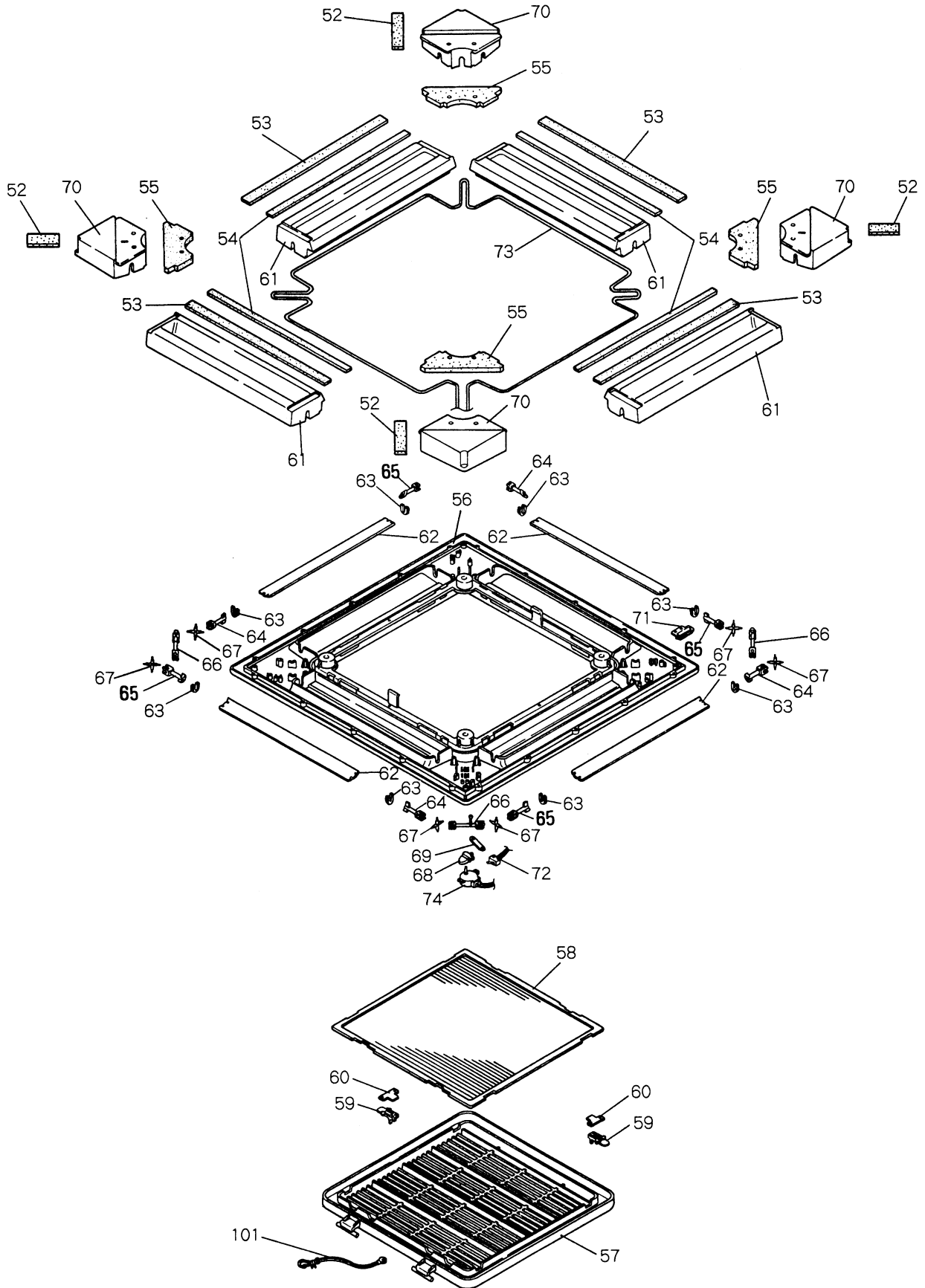
CONTENTS

- EXPLODED VIEW** 2
 - Indoor Unit
 - SPW-X123GH56 2
 - SPW-X183GH56 2
 - SPW-X253GH56 2
 - Top Panel
 - PNR-X253GHA 3
- PARTS LIST** 4
 - Indoor Unit
 - SPW-X123GH56 4, 5
 - SPW-X183GH56 6, 7
 - SPW-X253GH56 8, 9
- ELECTRIC WIRING DIAGRAM** 10

SPW-X123GH56
 SPW-X183GH56
 SPW-X253GH56
 INDOOR UNIT



**PNR -X253GHA
TOP PANEL**



ATTENTION !

To ensure correct parts supply, please let us know followings,
when you make service parts order:

1. Part No. 2. Description 3. Q' ty 4. Volts-Hz-Ph 5. Product Model No.

| Key No. | Part No. | Description | Q' ty | Reference No. |
|---------|--------------|--------------------------------------|-------|------------------|
| * 1 | 638 011 1305 | Heat Exchanger Ass'y | 1 | 854-0-4119-40500 |
| * 2 | 623 102 1982 | Strainer Ass'y | 1 | 854-0-4522-12900 |
| * 3 | 638 007 2682 | Solenoid Control Valve | 1 | 854-2-4548-11800 |
| * 4 | 623 105 0395 | Strainer Ass'y | 1 | 854-0-4522-13400 |
| * 5 | 638 010 9067 | Drain Pan Ass'y (incl No. 6) | 1 | 854-0-2301-45800 |
| * 6 | 638 011 0858 | Drain Pan Ass'y | 1 | 854-0-2301-45401 |
| * 7 | 623 126 2606 | Centrifugal Fan Ass'y | 1 | 854-0-2501-21600 |
| * 8 | 638 010 9074 | P. C. B. Ass'y CR-X253GH | 1 | 854-0-5178-09700 |
| * 9 | 638 010 9081 | Fan Motor Ass'y SFG6X-41A5P | 1 | 854-0-5202-13000 |
| * 10 | 623 094 3339 | Fixed Capacitor UPMDD-440V/3.5MF | 1 | 4-2239-56162 |
| * 11 | 638 010 9098 | Thermistor (Indoor Air) KTEC-35-S6 | 1 | 854-0-5259-11100 |
| * 12 | 638 010 9135 | Thermistor (Indoor Coil) PBC-41E-S36 | 1 | 854-0-5259-12000 |
| * 13 | 638 010 9111 | Thermistor (Indoor Coil) PBC-41E-S36 | 1 | 854-0-5259-13900 |
| * 14 | 638 010 9128 | Thermistor (Indoor Coil) PBC-41E-S25 | 1 | 854-0-5259-12900 |
| * 15 | 638 010 9142 | Transformer Ass'y ATR-II215TA | 1 | 854-0-5263-05100 |
| * 16 | 638 011 3392 | Switch FS-3502-204 | 1 | 854-0-5152-01600 |
| 17 | 638 010 9166 | Cover Plate | 1 | 854-2-2342-58600 |
| 18 | 638 010 9173 | Support, Evaporator | 4 | 854-2-2232-21300 |
| 19 | 638 010 9180 | Cover Plate | 1 | 854-2-2342-58800 |
| 20 | 638 010 9197 | Hose Band | 1 | 854-2-4294-12100 |
| 21 | 623 101 9132 | Cap Rubber | 1 | 854-2-4109-10200 |
| 22 | 638 010 9203 | Cover Plate | 1 | 854-2-2342-58500 |
| 23 | 638 010 9210 | Mounting Plate Ass'y, Drain Pan | 1 | 854-0-2314-15501 |
| 24 | 638 010 9227 | Mounting Plate Ass'y, Drain Pan | 1 | 854-0-2314-15601 |
| 25 | 638 010 9234 | Guide | 1 | 854-2-2352-14200 |
| 26 | 638 010 9241 | Guide | 1 | 854-2-2352-14300 |
| 27 | 638 010 9258 | Air Guide | 1 | 854-2-2519-13800 |
| 28 | 638 010 9265 | Support Fan Motor | 1 | 854-2-2516-28200 |
| 29 | 623 126 2613 | Cushion Rubber | 3 | 854-2-2534-15900 |
| 30 | 623 093 6508 | Washer SPHC | 3 | 3-9021-03100 |
| 31 | 623 126 2866 | Square Washer | 1 | 854-2-2328-10401 |
| 32 | 623 126 3856 | Washer Special | 1 | 854-2-1355-15201 |
| 33 | 638 010 9289 | Cabinet Ass'y (incl No. 34) | 1 | 854-0-1104-27600 |
| 34 | 638 010 9272 | Cabinet Ass'y | 1 | 854-0-1104-26600 |
| 35 | 638 010 9296 | Mounting Parts Ass'y | 2 | 854-0-1111-19201 |
| 36 | 638 010 9319 | Mounting Parts Ass'y | 1 | 854-0-1111-19301 |
| 37 | 638 010 9302 | Mounting Parts Ass'y | 1 | 854-0-1111-19401 |
| 38 | 638 010 9326 | Joint Drain | 1 | 854-2-2334-17300 |
| 39 | 623 101 8999 | Drain Pipe Ass'y | 1 | 854-0-4297-12900 |
| 40 | 638 010 9340 | Mounting Plate (incl No. 41) | 1 | 854-2-2361-27600 |
| 41 | 638 010 9333 | Mounting Plate | 1 | 854-2-2361-25700 |
| 42 | 638 011 3385 | Elec. Component Box Ass'y | 1 | 854-0-5301-68000 |
| 43 | 638 010 9364 | Cover Plate | 1 | 854-2-5304-44600 |
| 44 | 638 010 9371 | Elec Wiring Diagram | 1 | 854-2-5268-39800 |
| 45 | 638 010 8183 | Terminal Base | 1 | 1FJ-4-J3A0-02200 |
| 46 | 638 011 0032 | Magnetic Coil DKV-MOZS152B | 1 | 1FJ-4-L8A0-02300 |
| 47 | 638 010 9388 | Drain Pump Ass'y WP20SL-21 | 1 | 854-0-5264-02000 |
| 48 | 623 129 3440 | Mounting Parts Ass'y | 1 | 854-0-1111-18300 |
| 49 | 638 004 9523 | Cushion Rubber | 3 | 854-2-2318-13800 |
| 50 | 638 010 9395 | Operation Manual | 2 | 854-6-4189-10900 |

NOTE: Metal and plastic parts will be supplied basically
with necessary heat insulation pads or packing.
Each key number with an asterisk (*) means the
recommended service parts.

ATTENTION !

To ensure correct parts supply, please let us know followings,
when you make service parts order:

1. Part No. 2. Description 3. Q' ty 4. Volts-Hz-Ph 5. Product Model No.

| Key No. | Part No. | Description | Q' ty | Reference No. |
|---------|--------------|---|-------|------------------|
| 51 | 638 010 9401 | Panel Ass' y PNR-X253GHA (incl No. 52-) | 1 | 859-344-69 |
| 52 | 638 010 9937 | Insulation | 4 | 854-2-1411-57500 |
| 53 | 638 010 9418 | Insulation | 4 | 854-2-1411-57600 |
| 54 | 638 010 9425 | Insulation | 4 | 854-2-1411-57700 |
| 55 | 638 010 9432 | Insulation | 4 | 854-2-1411-57800 |
| 56 | 638 010 9449 | Top Panel | 1 | 854-2-1112-33501 |
| 57 | 638 010 9456 | Suction Grille | 1 | 854-2-1104-16201 |
| 58 | 638 010 9463 | Frame Filter Ass' y | 1 | 854-0-1302-21501 |
| 59 | 638 010 9470 | Hook | 2 | 854-2-1347-12101 |
| 60 | 638 010 9487 | Mounting Plate | 2 | 854-2-2361-25201 |
| 61 | 638 010 9494 | Insulation | 4 | 854-2-1411-57301 |
| 62 | 638 010 9500 | Blade Louver | 4 | 854-2-1110-22301 |
| 63 | 638 010 9517 | Support Louver | 8 | 854-2-1111-24600 |
| 64 | 638 010 9524 | Support Louver | 4 | 854-2-1111-24701 |
| 65 | 638 010 9531 | Support Louver | 4 | 854-2-1111-24801 |
| 66 | 638 010 9548 | Joint | 3 | 854-2-1332-12300 |
| 67 | 623 104 6855 | Joint | 6 | 854-2-1332-10200 |
| 68 | 638 010 9555 | Cam | 1 | 854-2-2354-11000 |
| 69 | 638 010 9562 | Joint | 1 | 854-2-1332-12400 |
| 70 | 638 010 9579 | Cover Plate | 4 | 854-2-2307-15700 |
| 71 | 623 104 6084 | Lamp Cover | 1 | 854-2-1323-11401 |
| * 72 | 638 010 8176 | Switch Other AV 39213 | 1 | 1FJ-4-S1Z0-01000 |
| 73 | 638 011 3361 | Heater 240V, 26W | 1 | 1FJ-4-H1D0-01200 |
| 74 | 638 010 9586 | Syncronized Motor M2LB24ZA12 | 1 | 528-0-5000-00203 |

NOTE: Metal and plastic parts will be supplied basically
with necessary heat insulation pads or packing.
Each key number with an asterisk (*) means the
recommended service parts.

ATTENTION !

To ensure correct parts supply, please let us know followings,
when you make service parts order:

1. Part No. 2. Description 3. Q' ty 4. Volts-Hz-Ph 5. Product Model No.

| Key NO. | Part No. | Description | Q' ty | Reference No. |
|---------|--------------|--------------------------------------|-------|------------------|
| * 1 | 638 011 1312 | Heat Exchanger Ass' y | 1 | 854-0-4119-40600 |
| * 2 | 623 102 1982 | Strainer Ass' y | 1 | 854-0-4522-12900 |
| * 3 | 638 007 2682 | Solenoid Control Valve | 1 | 854-2-4548-11800 |
| * 4 | 623 105 0395 | Strainer Ass' y | 1 | 854-0-4522-13400 |
| * 5 | 638 010 9067 | Drain Pan Ass' y (incl No.6) | 1 | 854-0-2301-45800 |
| * 6 | 638 011 0858 | Drain Pan Ass' y | 1 | 854-0-2301-45401 |
| * 7 | 623 126 2606 | Centrifugal Fan Ass' y | 1 | 854-0-2501-21600 |
| * 8 | 638 010 9074 | P. C. B. Ass' y CR-X253GH | 1 | 854-0-5178-09700 |
| * 9 | 638 010 9081 | Fan Motor Ass' y SFG6X-41A5P | 1 | 854-0-5202-13000 |
| * 10 | 623 094 3339 | Fixed Capacitor UP added-440V/3.5MF | 1 | 4-2239-56162 |
| * 11 | 638 010 9098 | Thermistor (Indoor Air) KTEC-35-S6 | 1 | 854-0-5259-11100 |
| * 12 | 638 010 9135 | Thermistor (Indoor Coil) PBC-41E-S36 | 1 | 854-0-5259-12000 |
| * 13 | 638 010 9111 | Thermistor (Indoor Coil) PBC-41E-S36 | 1 | 854-0-5259-13900 |
| * 14 | 638 010 9128 | Thermistor (Indoor Coil) PBC-41E-S25 | 1 | 854-0-5259-12900 |
| * 15 | 638 010 9142 | Transformer Ass' y ATR-11215TA | 1 | 854-0-5263-05100 |
| * 16 | 638 011 3392 | Switch FS-3502-204 | 1 | 854-0-5152-01600 |
| 17 | 638 010 9166 | Cover Plate | 1 | 854-2-2342-58600 |
| 18 | 638 010 9173 | Support, Evaporator | 4 | 854-2-2232-21300 |
| 19 | 638 010 9180 | Cover Plate | 1 | 854-2-2342-58800 |
| 20 | 638 010 9197 | Hose Band | 1 | 854-2-4294-12100 |
| 21 | 623 101 9132 | Cap Rubber | 1 | 854-2-4109-10200 |
| 22 | 638 010 9203 | Cover Plate | 1 | 854-2-2342-58500 |
| 23 | 638 010 9210 | Mounting Plate Ass' y, Drain Pan | 1 | 854-0-2314-15501 |
| 24 | 638 010 9227 | Mounting Plate Ass' y, Drain Pan | 1 | 854-0-2314-15601 |
| 25 | 638 010 9234 | Guide | 1 | 854-2-2352-14200 |
| 26 | 638 010 9241 | Guide | 1 | 854-2-2352-14300 |
| 27 | 638 010 9258 | Air Guide | 1 | 854-2-2519-13800 |
| 28 | 638 010 9265 | Support Fan Motor | 1 | 854-2-2516-28200 |
| 29 | 623 126 2613 | Cushion Rubber | 3 | 854-2-2534-15900 |
| 30 | 623 093 6508 | Washer SPHC | 3 | 3-9021-03100 |
| 31 | 623 126 2866 | Square Washer | 1 | 854-2-2328-10401 |
| 32 | 623 126 3856 | Washer Special | 1 | 854-2-1355-15201 |
| 33 | 638 010 9289 | Cabinet Ass' y (incl No. 34) | 1 | 854-0-1104-27600 |
| 34 | 638 010 9272 | Cabinet Ass' y | 1 | 854-0-1104-26600 |
| 35 | 638 010 9296 | Mounting Parts Ass' y | 2 | 854-0-1111-19201 |
| 36 | 638 010 9319 | Mounting Parts Ass' y | 1 | 854-0-1111-19301 |
| 37 | 638 010 9302 | Mounting Parts Ass' y | 1 | 854-0-1111-19401 |
| 38 | 638 010 9326 | Joint Drain | 1 | 854-2-2334-17300 |
| 39 | 623 101 8999 | Drain Pipe Ass' y | 1 | 854-0-4297-12900 |
| 40 | 638 010 9340 | Mounting Plate (incl No. 41) | 1 | 854-2-2361-27600 |
| 41 | 638 010 9333 | Mounting Plate | 1 | 854-2-2361-25700 |
| 42 | 638 011 3385 | Elec. Component Box Ass' y | 1 | 854-0-5301-68000 |
| 43 | 638 010 9364 | Cover Plate | 1 | 854-2-5304-44600 |
| 44 | 638 010 9371 | Elec Wiring Diagram | 1 | 854-2-5268-39800 |
| 45 | 638 010 8183 | Terminal Base | 1 | 1FJ-4-J3A0-02200 |
| 46 | 638 011 0032 | Magnetic Coil DKV-MOZS152B | 1 | 1FJ-4-L8A0-02300 |
| 47 | 638 010 9388 | Drain Pump Ass' y WP20SL-21 | 1 | 854-0-5264-02000 |
| 48 | 623 129 3440 | Mounting Parts Ass' y | 1 | 854-0-1111-18300 |
| 49 | 638 004 9523 | Cushion Rubber | 3 | 854-2-2318-13800 |
| 50 | 638 010 9395 | Operation Manual | 2 | 854-6-4189-10900 |

NOTE: Metal and plastic parts will be supplied basically
with necessary heat insulation pads or packing.
Each key number with an asterisk (*) means the
recommended service parts.

ATTENTION !

To ensure correct parts supply, please let us know followings.

when you make service parts order:

1. Part No. 2. Description 3. Q' ty 4. Volts-Hz-Ph 5. Product Model No.

| Key No. | Part No. | Description | Q' ty | Reference No. |
|---------|--------------|--|-------|------------------|
| 51 | 638 010 9401 | Panel Ass'y PNR-X253GHA (incl No. 52-) | 1 | 859-344-69 |
| 52 | 638 010 9937 | Insulation | 4 | 854-2-1411-57500 |
| 53 | 638 010 9418 | Insulation | 4 | 854-2-1411-57600 |
| 54 | 638 010 9425 | Insulation | 4 | 854-2-1411-57700 |
| 55 | 638 010 9432 | Insulation | 4 | 854-2-1411-57800 |
| 56 | 638 010 9449 | Top Panel | 1 | 854-2-1112-33501 |
| 57 | 638 010 9456 | Suction Grille | 1 | 854-2-1104-16201 |
| 58 | 638 010 9463 | Frame Filter Ass'y | 1 | 854-0-1302-21501 |
| 59 | 638 010 9470 | Hook | 2 | 854-2-1347-12101 |
| 60 | 638 010 9487 | Mounting Plate | 2 | 854-2-2361-25201 |
| 61 | 638 010 9494 | Insulation | 4 | 854-2-1411-57301 |
| 62 | 638 010 9500 | Blade Louver | 4 | 854-2-1110-22301 |
| 63 | 638 010 9517 | Support Louver | 8 | 854-2-1111-24600 |
| 64 | 638 010 9524 | Support Louver | 4 | 854-2-1111-24701 |
| 65 | 638 010 9531 | Support Louver | 4 | 854-2-1111-24801 |
| 66 | 638 010 9548 | Joint | 3 | 854-2-1332-12300 |
| 67 | 623 104 6855 | Joint | 6 | 854-2-1332-10200 |
| 68 | 638 010 9555 | Cam | 1 | 854-2-2354-11000 |
| 69 | 638 010 9562 | Joint | 1 | 854-2-1332-12400 |
| 70 | 638 010 9579 | Cover Plate | 4 | 854-2-2307-15700 |
| 71 | 623 104 6084 | Lamp Cover | 1 | 854-2-1323-11401 |
| * 72 | 638 010 8176 | Switch Other AV 39213 | 1 | 1FJ-4-S1Z0-01000 |
| 73 | 638 011 3361 | Heater 240V, 26W | 1 | 1FJ-4-H1D0-01200 |
| 74 | 638 010 9586 | Syncronized Motor M2LB24ZA12 | 1 | 528-0-5000-00203 |

NOTE: Metal and plastic parts will be supplied basically with necessary heat insulation pads or packing.
Each key number with an asterisk (*) means the recommended service parts.

ATTENTION !

To ensure correct parts supply, please let us know followings,
when you make service parts order:

1. Part No. 2. Description 3. Q' ty 4. Volts-Hz-Ph 5. Product Model No.

| Key No. | Part No. | Description | Q' ty | Reference No. |
|---------|--------------|--------------------------------------|-------|------------------|
| * 1 | 638 010 9623 | Heat Exchanger Ass'y | 1 | 854-0-4119-34200 |
| * 2 | 623 102 1982 | Strainer Ass'y | 1 | 854-0-4522-12900 |
| * 3 | 638 007 2682 | Solenoid Control Valve | 1 | 854-2-4548-11800 |
| * 4 | 638 010 9616 | Strainer Ass'y | 1 | 854-0-4522-19500 |
| * 5 | 638 010 9067 | Drain Pan Ass'y (incl No. 6) | 1 | 854-0-2301-45800 |
| * 6 | 638 011 0858 | Drain Pan Ass'y | 1 | 854-0-2301-45401 |
| * 7 | 623 126 2606 | Centrifugal Fan Ass'y | 1 | 854-0-2501-21600 |
| * 8 | 638 010 9074 | P. C. B. Ass'y CR-X253GH | 1 | 854-0-5178-09700 |
| * 9 | 638 010 9081 | Fan Motor Ass'y SFG6X-41A5P | 1 | 854-0-5202-13000 |
| * 10 | 623 121 5145 | Fixed Capacitor UPMDD-440V/4.0MF | 1 | 4-2239-56163 |
| * 11 | 638 010 9098 | Thermistor (Indoor Air) KTEC-35-S6 | 1 | 854-0-5259-11100 |
| * 12 | 638 010 9135 | Thermistor (Indoor Coil) PBC-41E-S36 | 1 | 854-0-5259-12000 |
| * 13 | 638 010 9111 | Thermistor (Indoor Coil) PBC-41E-S36 | 1 | 854-0-5259-13900 |
| * 14 | 638 010 9128 | Thermistor (Indoor Coil) PBC-41E-S25 | 1 | 854-0-5259-12900 |
| * 15 | 638 010 9142 | Transformer Ass'y ATR-II215TA | 1 | 854-0-5263-05100 |
| * 16 | 638 011 3392 | Switch FS-3502-204 | 1 | 854-0-5152-01600 |
| 17 | 638 010 9166 | Cover Plate | 1 | 854-2-2342-58600 |
| 18 | 638 010 9173 | Support, Evaporator | 4 | 854-2-2232-21300 |
| 19 | 638 010 9180 | Cover Plate | 1 | 854-2-2342-58800 |
| 20 | 638 010 9197 | Hose Band | 1 | 854-2-4294-12100 |
| 21 | 623 101 9132 | Cap Rubber | 1 | 854-2-4109-10200 |
| 22 | 638 010 9203 | Cover Plate | 1 | 854-2-2342-58500 |
| 23 | 638 010 9210 | Mounting Plate Ass'y, Drain Pan | 1 | 854-0-2314-15501 |
| 24 | 638 010 9227 | Mounting Plate Ass'y, Drain Pan | 1 | 854-0-2314-15601 |
| 25 | 638 010 9234 | Guide | 1 | 854-2-2352-14200 |
| 26 | 638 010 9241 | Guide | 1 | 854-2-2352-14300 |
| 27 | 638 010 9258 | Air Guide | 1 | 854-2-2519-13800 |
| 28 | 638 010 9265 | Support Fan Motor | 1 | 854-2-2516-28200 |
| 29 | 623 126 2613 | Cushion Rubber | 3 | 854-2-2534-15900 |
| 30 | 623 093 6508 | Washer SPHC | 3 | 3-9021-03100 |
| 31 | 623 126 2866 | Square Washer | 1 | 854-2-2328-10401 |
| 32 | 623 126 3856 | Washer Special | 1 | 854-2-1355-15201 |
| 33 | 638 010 9289 | Cabinet Ass'y (incl No. 34) | 1 | 854-0-1104-27600 |
| 34 | 638 010 9272 | Cabinet Ass'y | 1 | 854-0-1104-26600 |
| 35 | 638 010 9296 | Mounting Parts Ass'y | 2 | 854-0-1111-19201 |
| 36 | 638 010 9319 | Mounting Parts Ass'y | 1 | 854-0-1111-19301 |
| 37 | 638 010 9302 | Mounting Parts Ass'y | 1 | 854-0-1111-19401 |
| 38 | 638 010 9326 | Joint Drain | 1 | 854-2-2334-17300 |
| 39 | 623 101 8999 | Drain Pipe Ass'y | 1 | 854-0-4297-12900 |
| 40 | 638 010 9340 | Mounting Plate (incl No. 41) | 1 | 854-2-2361-27600 |
| 41 | 638 010 9333 | Mounting Plate | 1 | 854-2-2361-25700 |
| 42 | 638 011 3385 | Elec. Component Box Ass'y | 1 | 854-0-5301-68000 |
| 43 | 638 010 9364 | Cover Plate | 1 | 854-2-5304-44600 |
| 44 | 638 010 9371 | Elec Wiring Diagram | 1 | 854-2-5268-39800 |
| 45 | 638 010 8183 | Terminal Base | 1 | 1FJ-4-J3A0-02200 |
| 46 | 638 011 0032 | Magnetic Coil DKV-MOZS152B | 1 | 1FJ-4-L8A0-02300 |
| 47 | 638 010 9388 | Drain Pump Ass'y WP20SL-21 | 1 | 854-0-5264-02000 |
| 48 | 623 129 3440 | Mounting Parts Ass'y | 1 | 854-0-1111-18300 |
| 49 | 638 004 9523 | Cushion Rubber | 3 | 854-2-2318-13800 |
| 50 | 638 010 9395 | Operation Manual | 2 | 854-6-4189-10900 |

NOTE: Metal and plastic parts will be supplied basically
with necessary heat insulation pads or packing.
Each key number with an asterisk (*) means the
recommended service parts.

ATTENTION !

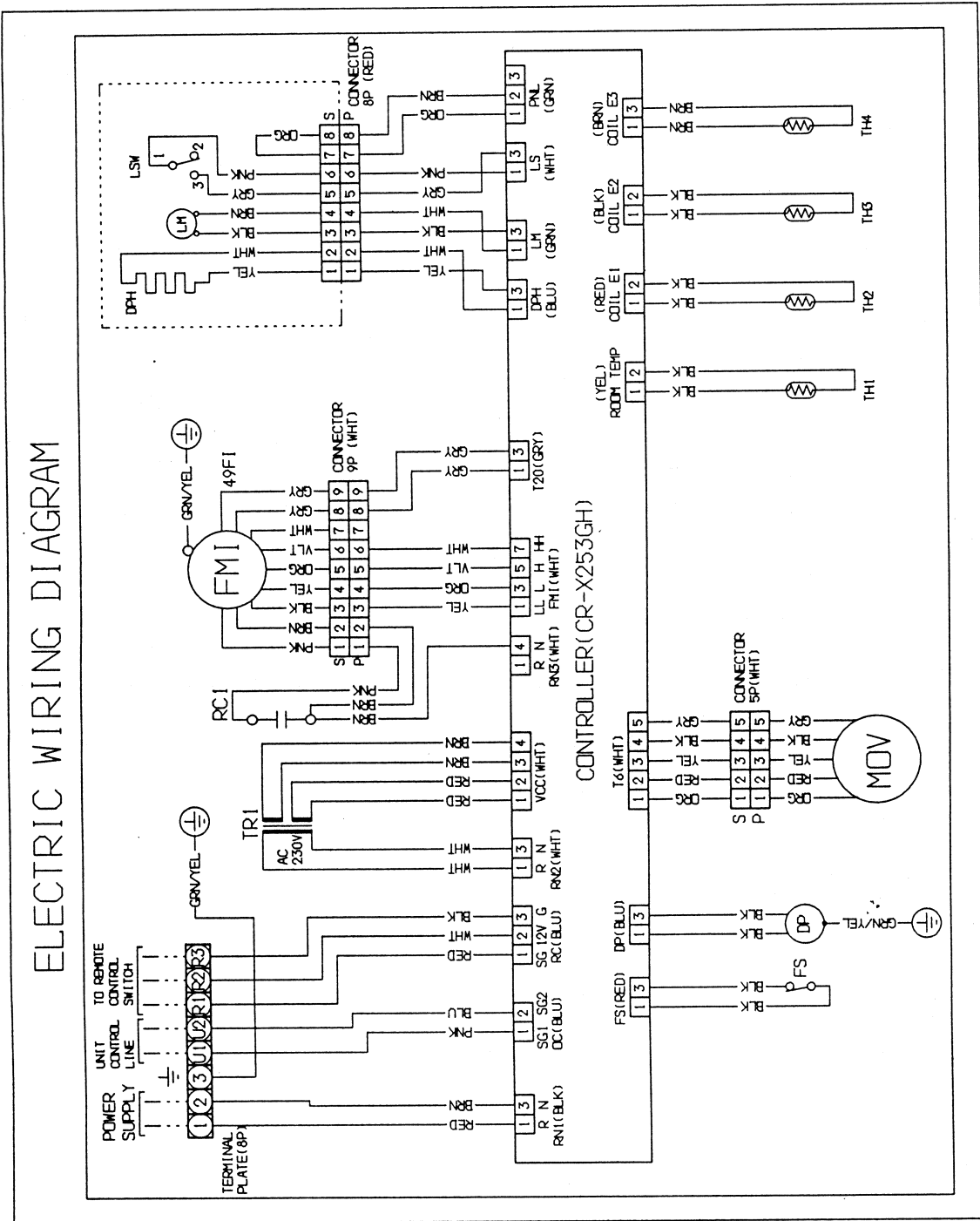
To ensure correct parts supply, please let us know followings,
when you make service parts order:

1. Part No. 2. Description 3. Q' ty 4. Volts-Hz-Ph 5. Product Model No.

| Key No. | Part No. | Description | Q' ty | Reference No. |
|---------|--------------|--|-------|------------------|
| 51 | 638 010 9401 | Panel Ass'y PNR-X253GHA (incl No. 52-) | 1 | 859-344-69 |
| 52 | 638 010 9937 | Insulation | 4 | 854-2-1411-57500 |
| 53 | 638 010 9418 | Insulation | 4 | 854-2-1411-57600 |
| 54 | 638 010 9425 | Insulation | 4 | 854-2-1411-57700 |
| 55 | 638 010 9432 | Insulation | 4 | 854-2-1411-57800 |
| 56 | 638 010 9449 | Top Panel | 1 | 854-2-1112-33501 |
| 57 | 638 010 9456 | Suction Grille | 1 | 854-2-1104-16201 |
| 58 | 638 010 9463 | Frame Filter Ass'y | 1 | 854-0-1302-21501 |
| 59 | 638 010 9470 | Hook | 2 | 854-2-1347-12101 |
| 60 | 638 010 9487 | Mounting Plate | 2 | 854-2-2361-25201 |
| 61 | 638 010 9494 | Insulation | 4 | 854-2-1411-57301 |
| 62 | 638 010 9500 | Blade Louver | 4 | 854-2-1110-22301 |
| 63 | 638 010 9517 | Support Louver | 8 | 854-2-1111-24600 |
| 64 | 638 010 9524 | Support Louver | 4 | 854-2-1111-24701 |
| 65 | 638 010 9531 | Support Louver | 4 | 854-2-1111-24801 |
| 66 | 638 010 9548 | Joint | 3 | 854-2-1332-12300 |
| 67 | 623 104 6855 | Joint | 6 | 854-2-1332-10200 |
| 68 | 638 010 9555 | Cam | 1 | 854-2-2354-11000 |
| 69 | 638 010 9562 | Joint | 1 | 854-2-1332-12400 |
| 70 | 638 010 9579 | Cover Plate | 4 | 854-2-2307-15700 |
| 71 | 623 104 6084 | Lamp Cover | 1 | 854-2-1323-11401 |
| * 72 | 638 010 8176 | Switch Other AV 39213 | 1 | 1FJ-4-S1Z0-01000 |
| 73 | 638 011 3361 | Heater 240V, 26W | 1 | 1FJ-4-H1D0-01200 |
| 74 | 638 010 9586 | Synchronized Motor M2LB24ZA12 | 1 | 528-0-5000-00203 |

NOTE: Metal and plastic parts will be supplied basically
with necessary heat insulation pads or packing.
Each key number with an asterisk (*) means the
recommended service parts.

ELECTRIC WIRING DIAGRAM



SANYO

SANYO Electric Co., Ltd.
Osaka, Japan

T0496 (A) 300 Printed in Japan