



## Parts List

### Air Conditioner

FILE NO.
----------

INDOOR UNIT

SPW-S183GH56

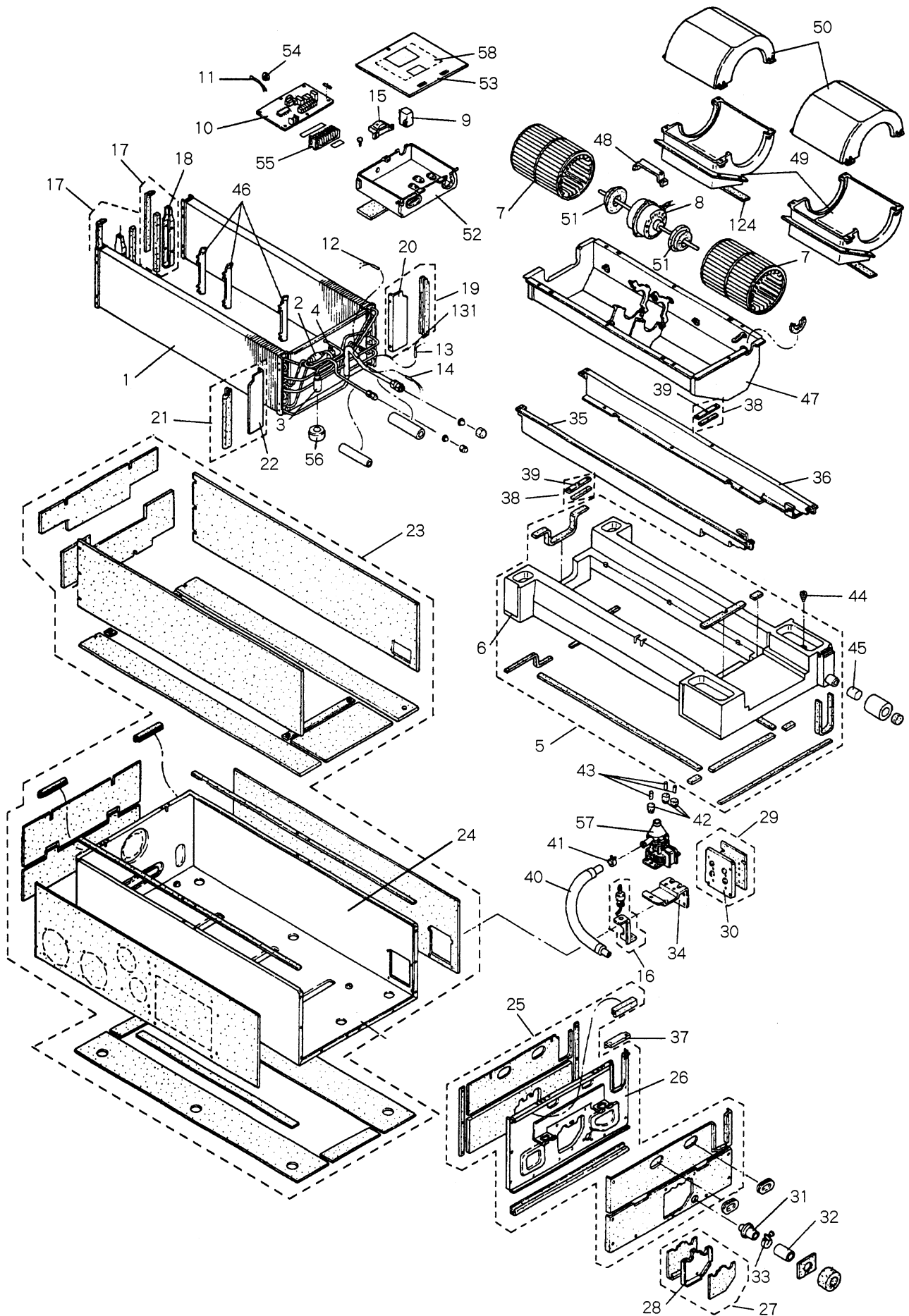
SPW-S253GH56

INDOOR UNIT		APPLICABLE OUTDOOR UNIT	VOLT / $\phi$ / Hz
MODEL No.	PR. CODE No.	MODEL No.	
SPW-S183GH56	854 011 49	SPW-C703/903GY8	IN : 220-240 / 1 / 50
SPW-S253GH56	854 011 50	SPW-C703/903GYH8	OUT : 380-415 / 3 / 50

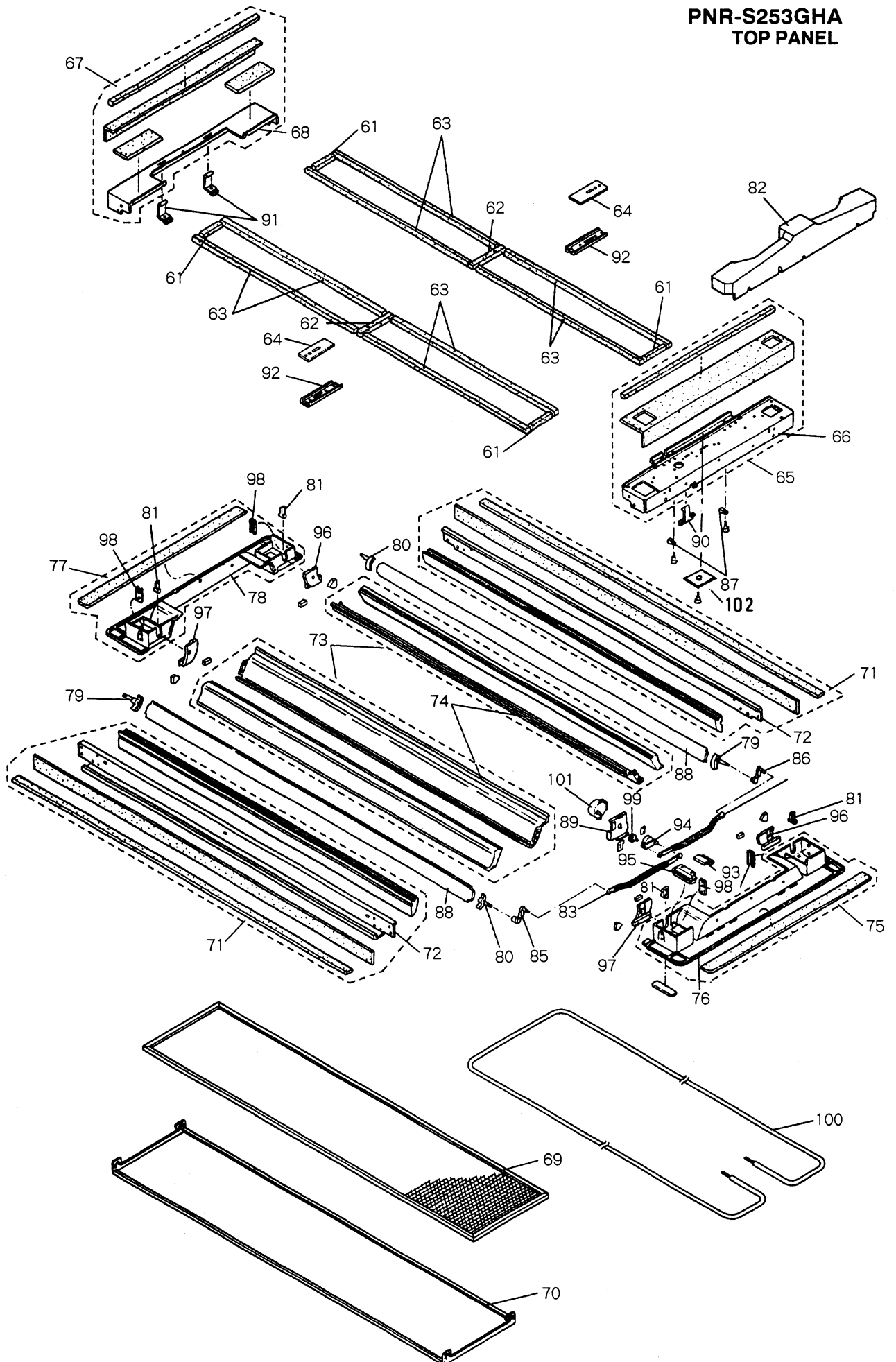
## CONTENTS

■ EXPLODED VIEW .....	2
● Indoor Unit	
SPW-S183GH56 .....	2
SPW-S253GH56 .....	2
● Top Panel	
PNR-S253GHA .....	3
■ PARTS LIST .....	4
● Indoor Unit	
SPW-S183GH56 .....	4~6
SPW-S253GH56 .....	7~9
■ ELECTRIC WIRING DIAGRAM .....	10

**SPW-S183GH56  
SPW-S253GH56  
INDOOR UNIT**



PNR-S253GHA  
TOP PANEL



ATTENTION !

To ensure correct parts supply, please let us know followings,  
when you make service parts order:

1. Part No. 2. Description 3. Q' ty 4. Volts-Hz-Ph 5. Product Model No.

Key No.	Part No.	Description	Q' ty	Reference No.
* 1	638 011 6720	Heat Exchanger Ass'y (incl No.2-4)	1	854-0-4119-37900
* 2	623 102 1982	Strainer Ass'y	1	854-0-4522-12900
* 3	638 007 2682	Solenoid Control Valve IKV-24D12	1	854-2-4548-11800
* 4	638 003 8121	Strainer Ass'y	1	854-0-4522-16300
* 5	638 007 1661	Drain Pan Ass'y (incl. No.6)	1	854-9-9536-03328
* 6	638 007 1654	Drain Pan Ass'y	1	854-0-2301-43601
* 7	638 007 0527	Centrifugal Fan Ass'y	2	854-0-2501-22700
* 8	638 007 7540	Fan Motor Ass'y KFG4X-51E3P	1	854-0-5202-06700
* 9	623 001 1618	Fixed Capacitor UPMDD-440V/1.5MF	1	4-2239-56158
* 10	638 010 9074	P.C.B. Ass'y CR-X253GH	1	854-0-5178-09700
* 11	638 010 9098	Thermistor (Indoor Air) KTEC-35-S6	1	854-0-5259-11100
* 12	638 011 6331	Thermistor (Indoor Coil) PBC-41E-S14	1	854-0-5259-11900
* 13	638 011 6348	Thermistor (Indoor Coil) PBC-41E-S25	1	854-0-5259-12800
* 14	638 011 6355	Thermistor (indoor Coil) PBC-41E-S14	1	854-0-5259-13800
* 15	638 011 6362	Transformer Ass'y ATR-II1215TB	1	854-0-5263-06600
* 16	638 007 7489	Switch Ass'y FS-3052-201	1	854-0-5152-00100
17	638 007 1272	Mounting Plate (incl. No.18)	2	854-9-9536-03323
18	638 007 1227	Mounting Plate	2	854-2-4134-54901
19	638 007 1197	Mounting Plate (incl. No.20)	1	854-9-9536-03321
20	638 007 1180	Mounting Plate	1	854-2-4134-54801
21	638 007 1265	Mounting Plate (incl. No.22)	1	854-9-9536-03322
22	638 007 1210	Mounting Plate	1	854-2-4134-54701
23	638 011 6959	Cabinet Plate (incl. No.24)	1	854-2-1105-25300
24	638 007 1685	Cabinet Plate	1	854-2-1105-23501
25	638 007 1067	Side Panel Ass'y, Left (incl. No.26)	1	854-9-9536-03319
26	638 007 1050	Side Panel Ass'y, Left	1	854-0-1107-24701
27	638 007 1692	Side Cover (incl. No.28)	1	854-9-9536-03329
28	638 007 1142	Side Cover	1	854-2-1107-36901
29	638 007 1333	Cover Plate (incl. No.30)	1	854-9-9536-03325
30	638 007 1326	Cover Plate	1	854-2-2307-15301
31	623 111 3717	Joint Drain	1	854-2-2334-16500
32	623 101 9170	Joint Drain	1	854-2-2334-15400
33	638 006 2607	Hose Band	1	854-2-4294-11600
34	638 007 0732	Mounting Plate	1	854-2-2361-17701
35	638 007 2576	Mounting Plate Ass'y, Drain Pan	1	854-0-2314-14201
36	638 007 2569	Mounting Plate Ass'y, Drain Pan	1	854-0-2314-14301
37	638 007 0640	Cover Plate	1	854-2-2343-15601
38	638 007 1296	Mounting Plate (incl. No.39)	2	854-9-9536-03324
39	638 007 1302	Mounting Plate	2	854-2-2361-18101
40	623 101 8999	Drain Pipe Ass'y	1	854-0-4297-12900
41	623 077 2205	Clip	1	854-2-2315-10301
42	638 004 9523	Cushion Rubber	3	854-2-2318-13800
43	638 004 9530	Spacer	3	854-2-1348-18301
44	623 101 9132	Cap Rubber	1	854-2-4109-10200
45	638 007 0664	Cap Rubber	1	854-2-4109-10300
46	638 005 9447	Guide	3	854-2-2352-14101
47	638 007 1623	Partition Plate Ass'y	1	854-0-2516-19201
48	638 007 0671	Support Fan Motor	1	854-2-2516-27300
49	638 007 0688	Blower Casing	2	854-2-2506-17800
50	638 007 0695	Blower Casing	2	854-2-2506-17900

NOTE: Metal and plastic parts will be supplied basically  
with necessary heat insulation pads or packing.  
Each key number with an asterisk (\*) means the  
recommended service parts.

**ATTENTION !**

To ensure correct parts supply, please let us know followings,  
when you make service parts order:

1. Part No. 2. Description 3. Q' ty 4. Volts-Hz-Ph 5. Product Model No.

Key No.	Part No.	Description	Q' ty	Reference No.
51	623 103 5873	Cushion Rubber	2	854-2-2534-14800
52	638 011 6379	Elec. Component Box Ass'y	1	854-0-5301-68801
53	638 007 0626	Cover Plate	1	854-2-5304-42201
54	623 027 4990	Bushing	1	800-2-5337-17900
55	638 010 8183	Terminal Base	1	1FJ-4-J3A0-02200
56	638 010 7247	Magnetic Coil DKV-MOZS550E0	1	1FJ-4-L8A0-01000
57	638 007 7496	Drain Pump Ass'y WP20SL-18	1	854-0-5264-00900
58	638 011 6386	Elec Wiring Diagram	1	854-2-5268-41300
59	638 010 9395	Operation Manual	1	854-6-4189-10900
60	638 011 6393	Panel Ass'y PNR-S253GHA incl. No. 61-	1	859-344-76
61	638 007 3986	Insulation	4	854-2-1411-40500
62	638 007 3993	Insulation	2	854-2-1411-40600
63	638 007 4358	Insulation	8	854-2-1411-41000
64	638 007 4013	Insulation	2	854-2-1411-39800
65	638 007 4198	Reinf Panel Ass'y (incl. No. 66)	1	854-9-9536-03357
66	638 007 4181	Reinf Panel Ass'y	1	854-0-1303-13401
67	638 007 4143	Reinf Panel Ass'y (incl. No. 68)	1	854-9-9536-03356
68	638 007 4136	Reinf Panel Ass'y	1	854-0-1303-13501
69	638 007 4808	Case Filter Ass'y	1	854-0-2308-27301
70	638 007 4471	Front Panel	1	854-2-1101-71701
71	638 007 4396	Side Panel (incl. No. 72)	2	854-9-9536-03362
72	638 007 4402	Side Panel	2	854-2-1102-49001
73	638 007 4440	Side Panel (incl. No. 74)	2	854-9-9536-03363
74	638 007 4457	Side Panel	2	854-2-1102-49401
75	638 007 4259	Side Panel (incl. No. 76)	1	854-9-9536-03359
76	638 007 4242	Side Panel	1	854-2-1102-50001
77	638 007 4228	Side Panel (incl. No. 78)	1	854-9-9536-03358
78	638 007 4211	Side Panel	1	854-2-1102-50101
79	638 007 3856	Support Louver	2	854-2-1111-23601
80	638 007 3863	Support Louver	2	854-2-1111-23701
81	638 007 3917	Support Louver	4	854-2-1111-24300
82	638 007 3955	Cover, Switch	1	854-2-1320-13200
83	638 007 3870	Joint	1	854-2-1332-11900
84	638 007 3887	Joint	1	854-2-1332-12000
85	638 007 3894	Joint	1	854-2-1332-12100
86	638 007 3900	Joint	1	854-2-1332-12200
87	638 007 3931	Hook	2	854-2-1347-12000
88	638 007 4884	Flap	2	854-2-1515-11101
89	638 007 4129	Mounting Plate	1	854-2-2361-14301
90	638 007 4112	Mounting Plate	1	854-2-2361-14400
91	638 007 4105	Mounting Plate	2	854-2-2361-14500
92	638 007 4020	Mounting Plate	2	854-2-2361-14601
93	638 007 4037	Mounting Plate	1	854-2-2361-18500
94	638 007 3948	Cam	1	854-2-2354-10900
95	623 104 6084	Lamp Cover	1	854-2-1323-11401
96	638 007 4365	Insulation	2	854-2-1402-99101
97	638 007 4372	Insulation	2	854-2-1402-99201
98	623 105 2139	Mounting Panel	4	854-2-1127-16500
* 99	623 102 6802	Switch SS-01GL13-F	1	4-2319-56358
100	638 006 1471	Heater	1	1FJ-4-H1D0-00600

NOTE: Metal and plastic parts will be supplied basically  
with necessary heat insulation pads or packing.  
Each key number with an asterisk (\*) means the  
recommended service parts.

SPW-S183GH56  
INDOOR UNIT

ATTENTION !

To ensure correct parts supply, please let us know followings,  
when you make service parts order:

1. Part No. 2. Description 3. Q' ty 4. Volts-Hz-Ph 5. Product Model No.

Key No.	Part No.	Description	Q' ty
*101	638 008 2063	Synchronized Motor MT8	1
102	638 011 8588	Mounting Plate	1

Reference No.
528-0-5000-00303
854-2-2361-28901

NOTE: Metal and plastic parts will be supplied basically  
with necessary heat insulation pads or packing.  
Each key number with an asterisk (\*) means the  
recommended service parts.

**ATTENTION !**

To ensure correct parts supply, please let us know followings,  
when you make service parts order:

1. Part No. 2. Description 3. Q' ty 4. Volts-Hz-Ph 5. Product Model No.

Key No.	Part No.	Description	Q' ty	Reference No.
* 1	638 007 1852	Heat Exchanger Ass'y (incl No. 2-4)	1	854-0-4119-19400
* 2	623 102 1982	Strainer Ass'y	1	854-0-4522-12900
* 3	638 007 2682	Solenoid Control Valve IKV-24D12	1	854-2-4548-11800
* 4	638 005 9300	Strainer Ass'y	1	854-0-4522-16700
* 5	638 007 1661	Drain Pan Ass'y (incl. No. 6)	1	854-9-9536-03328
* 6	638 007 1654	Drain Pan Ass'y	1	854-0-2301-43601
* 7	638 007 0527	Centrifugal Fan Ass'y	2	854-0-2501-22700
* 8	638 007 7540	Fan Motor Ass'y UF4X-31B3P	1	854-0-5202-06700
* 9	623 095 6322	Fixed Capacitor UPMDD-440V/2.5MF	1	4-2239-56160
* 10	638 010 9074	P. C. B. Ass'y CR-X253GH	1	854-0-5178-09700
* 11	638 010 9098	Thermistor (Indoor Air) KTEC-35-S6	1	854-0-5259-11100
* 12	638 011 6331	Thermistor (Indoor Coil) PBC-41E-S14	1	854-0-5259-11900
* 13	638 011 6348	Thermistor (Indoor Coil) PBC-41E-S25	1	854-0-5259-12800
* 14	638 011 6355	Thermistor (indoor Coil) PBC-41E-S14	1	854-0-5259-13800
* 15	638 011 6362	Transformer Ass'y ATR-II215TB	1	854-0-5263-06600
* 16	638 007 7489	Switch Ass'y FS-3052-201	1	854-0-5152-00100
17	638 007 1272	Mounting Plate (incl. No. 18)	2	854-9-9536-03323
18	638 007 1227	Mounting Plate	2	854-2-4134-54901
19	638 007 1197	Mounting Plate (incl. No. 20)	1	854-9-9536-03321
20	638 007 1180	Mounting Plate	1	854-2-4134-54801
21	638 007 1265	Mounting Plate (incl. No. 22)	1	854-9-9536-03322
22	638 007 1210	Mounting Plate	1	854-2-4134-54701
23	638 011 6959	Cabinet Plate (incl. No. 24)	1	854-2-1105-25300
24	638 007 1685	Cabinet Plate	1	854-2-1105-23501
25	638 007 1067	Side Panel Ass'y, Left (incl. No. 26)	1	854-9-9536-03319
26	638 007 1050	Side Panel Ass'y, Left	1	854-0-1107-24701
27	638 007 1692	Side Cover (incl. No. 28)	1	854-9-9536-03329
28	638 007 1142	Side Cover	1	854-2-1107-36901
29	638 007 1333	Cover Plate (incl. No. 30)	1	854-9-9536-03325
30	638 007 1326	Cover Plate	1	854-2-2307-15301
31	623 111 3717	Joint Drain	1	854-2-2334-16500
32	623 101 9170	Joint Drain	1	854-2-2334-15400
33	638 006 2607	Hose Band	1	854-2-4294-11600
34	638 007 0732	Mounting Plate	1	854-2-2361-17701
35	638 007 2576	Mounting Plate Ass'y, Drain Pan	1	854-0-2314-14201
36	638 007 2569	Mounting Plate Ass'y, Drain Pan	1	854-0-2314-14301
37	638 007 0640	Cover Plate	1	854-2-2343-15601
38	638 007 1296	Mounting Plate (incl. No. 39)	2	854-9-9536-03324
39	638 007 1302	Mounting Plate	2	854-2-2361-18101
40	623 101 8999	Drain Pipe Ass'y	1	854-0-4297-12900
41	623 077 2205	Clip	1	854-2-2315-10301
42	638 004 9523	Cushion Rubber	3	854-2-2318-13800
43	638 004 9530	Spacer	3	854-2-1348-18301
44	623 101 9132	Cap Rubber	1	854-2-4109-10200
45	638 007 0664	Cap Rubber	1	854-2-4109-10300
46	638 005 9447	Guide	3	854-2-2352-14101
47	638 007 1623	Partition Plate Ass'y	1	854-0-2516-19201
48	638 007 0671	Support Fan Motor	1	854-2-2516-27300
49	638 007 0688	Blower Casing	2	854-2-2506-17800
50	638 007 0695	Blower Casing	2	854-2-2506-17900

NOTE: Metal and plastic parts will be supplied basically  
with necessary heat insulation pads or packing.  
Each key number with an asterisk (\*) means the  
recommended service parts.

ATTENTION !

To ensure correct parts supply, please let us know followings,  
when you make service parts order:

1. Part No. 2. Description 3. Q' ty 4. Volts-Hz-Ph 5. Product Model No.

Key No.	Part No.	Description	Q' ty	Reference No.
51	623 103 5873	Cushion Rubber	2	854-2-2534-14800
52	638 011 6379	Elec. Component Box Ass'y	1	854-0-5301-68801
53	638 007 0626	Cover Plate	1	854-2-5304-42201
54	623 027 4990	Bushing	1	800-2-5337-17900
55	638 010 8183	Terminal Base	1	1FJ-4-J3A0-02200
56	638 010 7247	Magnetic Coil DKV-MOZS550E0	1	1FJ-4-L8A0-01000
57	638 007 7496	Drain Pump Ass'y WP20SL-18	1	854-0-5264-00900
58	638 011 6386	Elec Wiring Diagram	1	854-2-5268-41300
59	638 010 9395	Operation Manual	1	854-6-4189-10900
60	638 011 6393	Panel Ass'y PNR-S253GHA incl. No. 61-	1	859-344-76
61	638 007 3986	Insulation	4	854-2-1411-40500
62	638 007 3993	Insulation	2	854-2-1411-40600
63	638 007 4358	Insulation	8	854-2-1411-41000
64	638 007 4013	Insulation	2	854-2-1411-39800
65	638 007 4198	Reinf Panel Ass'y (incl. No. 66)	1	854-9-9536-03357
66	638 007 4181	Reinf Panel Ass'y	1	854-0-1303-13401
67	638 007 4143	Reinf Panel Ass'y (incl. No. 68)	1	854-9-9536-03356
68	638 007 4136	Reinf Panel Ass'y	1	854-0-1303-13501
69	638 007 4808	Case Filter Ass'y	1	854-0-2308-27301
70	638 007 4471	Front Panel	1	854-2-1101-71701
71	638 007 4396	Side Panel (incl. No. 72)	2	854-9-9536-03362
72	638 007 4402	Side Panel	2	854-2-1102-49001
73	638 007 4440	Side Panel (incl. No. 74)	2	854-9-9536-03363
74	638 007 4457	Side Panel	2	854-2-1102-49401
75	638 007 4259	Side Panel (incl. No. 76)	1	854-9-9536-03359
76	638 007 4242	Side Panel	1	854-2-1102-50001
77	638 007 4228	Side Panel (incl. No. 78)	1	854-9-9536-03358
78	638 007 4211	Side Panel	1	854-2-1102-50101
79	638 007 3856	Support Louver	2	854-2-1111-23601
80	638 007 3863	Support Louver	2	854-2-1111-23701
81	638 007 3917	Support Louver	4	854-2-1111-24300
82	638 007 3955	Cover, Switch	1	854-2-1320-13200
83	638 007 3870	Joint	1	854-2-1332-11900
84	638 007 3887	Joint	1	854-2-1332-12000
85	638 007 3894	Joint	1	854-2-1332-12100
86	638 007 3900	Joint	1	854-2-1332-12200
87	638 007 3931	Hook	2	854-2-1347-12000
88	638 007 4884	Flap	2	854-2-1515-11101
89	638 007 4129	Mounting Plate	1	854-2-2361-14301
90	638 007 4112	Mounting Plate	1	854-2-2361-14400
91	638 007 4105	Mounting Plate	2	854-2-2361-14500
92	638 007 4020	Mounting Plate	2	854-2-2361-14601
93	638 007 4037	Mounting Plate	1	854-2-2361-18500
94	638 007 3948	Cam	1	854-2-2354-10900
95	623 104 6084	Lamp Cover	1	854-2-1323-11401
96	638 007 4365	Insulation	2	854-2-1402-99101
97	638 007 4372	Insulation	2	854-2-1402-99201
98	623 105 2139	Mounting Panel	4	854-2-1127-16500
* 99	623 102 6802	Switch SS-01GL13-F	1	4-2319-56358
100	638 006 1471	Heater	1	1FJ-4-H1D0-00600

NOTE: Metal and plastic parts will be supplied basically  
with necessary heat insulation pads or packing.  
Each key number with an asterisk (\*) means the  
recommended service parts.



SPW-S253GH56  
INDOOR UNIT

**ATTENTION !**

To ensure correct parts supply, please let us know followings,  
when you make service parts order:

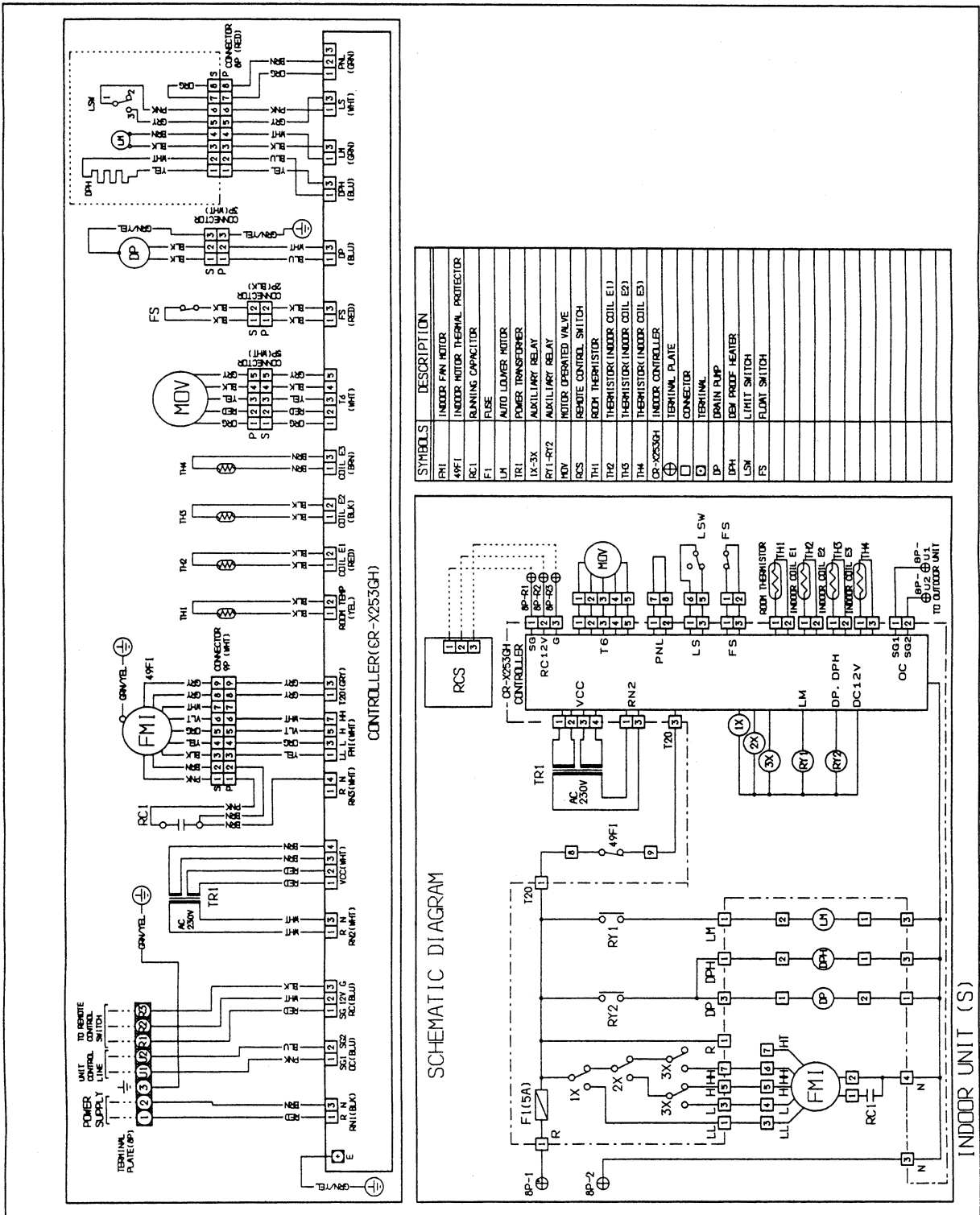
1. Part No. 2. Description 3. Q' ty 4. Volts-Hz-Ph 5. Product Model No.

Key No.	Part No.	Description	Q' ty
*101	638 008 2063	Synchronized Motor MT8	1
102	638 011 8588	Mounting Plate	1

Reference No.
528-0-5000-00303
854-2-2361-28901

NOTE: Metal and plastic parts will be supplied basically  
with necessary heat insulation pads or packing.  
Each key number with an asterisk (\*) means the  
recommended service parts.

# ELECTRIC WIRING DIAGRAM



**SANYO**

SANYO Electric Co., Ltd.  
Osaka, Japan

T0796 Ⓐ 300 Printed in Japan