



Parts List

Air Conditioner

FILE NO.

INDOOR UNIT

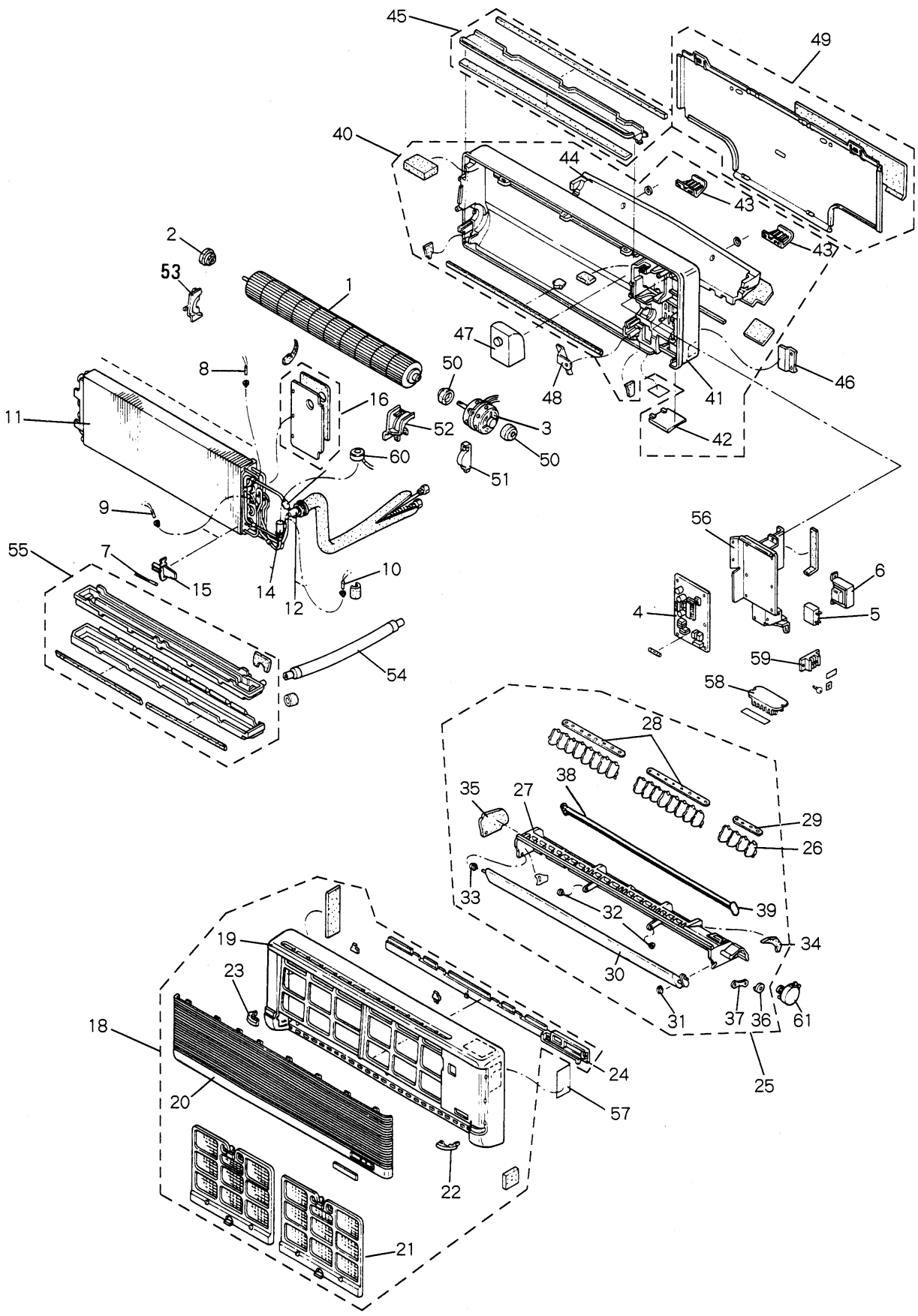
SPW-K93GH56
 SPW-K123GH56
 SPW-K183GH56

INDOOR UNIT		APPLICABLE OUTDOOR UNIT	VOLT / ϕ / Hz
MODEL No.	PR. CODE No.	MODEL No.	
SPW-K93GH56	854 011 38	SPW-C703GY8 SPW-C903GY8 SPW-C703GYH8 SPW-C903GYH8	IN : 220-240 / 1 / 50 OUT : 380-415 / 3 / 50
SPW-K123GH56	854 011 39		
SPW-K183GH56	854 011 40		

CONTENTS

- EXPLODED VIEW 2
 - Indoor Unit
 - SPW-K93GH56 2
 - SPW-K123GH56 2
 - SPW-K183GH56 2
- PARTS LIST 3
 - Indoor Unit
 - SPW-K93GH56 3, 4
 - SPW-K123GH56 5, 6
 - SPW-K183GH56 7, 8
- ELECTRIC WIRING DIAGRAM 9

SPW-K93GH56
SPW-K123GH56
SPW-K183GH56
INDOOR UNIT



ATTENTION !

To ensure correct parts supply, please let us know followings,
when you make service parts order:

1. Part No. 2. Description 3. Q' ty 4. Volts-Hz-Ph 5. Product Model No.

Key No.	Part No.	Description	Q' ty	Reference No.
* 1	623 113 5566	Cross-Flow Fan Ass'y D100 L760	1	852-0-2509-18000
* 2	623 094 4466	Bearing Housing Ass'y	1	852-0-2510-12800
* 3	638 006 1662	Fan Motor Ass'y UF2Q-21C5P	1	854-0-5202-05200
* 4	638 010 9074	P. C. B. Ass'y CR-X93GH	1	854-0-5178-09700
* 5	638 011 0254	Fixed Capacitor UPMDD 440V, 0.8MF	1	4-2239-57219
* 6	638 011 3668	Transformer Ass'y ATR-11215TB	1	854-0-5263-05200
* 7	638 011 3675	Thermistor (Indoor Air) KTEC-35-S6	1	854-0-5259-11300
* 8	638 011 3682	Thermistor (Indoor Coil) PBC-41E-S4	1	854-0-5259-11700
* 9	638 011 3699	Thermistor (Indoor Coil) PBC-41E-S4	1	854-0-5259-13600
* 10	638 011 3705	Thermistor (Indoor Coil) PBC-41E-S25	1	854-0-5259-12600
* 11	638 011 3712	Heat Exchanger Ass'y	1	854-0-4119-39300
* 12	638 011 3729	Strainer Ass'y	1	854-0-4522-19700
* 13	623 043 4059	Strainer Ass'y	1	852-0-4506-14000
* 14	638 011 3736	Solenoid Control Valve	1	854-2-4548-12200
15	623 132 0078	Mounting Thermostat	1	852-2-5303-19201
16	638 006 2430	Cover Plate (incl. No.17)	1	854-2-2342-552H1
17	638 006 3574	Cover Plate	1	854-2-2342-55201
18	623 128 9443	Grille Ass'y (incl. No.19-24)	1	852-0-1501-22000
19	623 129 0630	Grille	1	852-2-1501-32701
20	623 129 0647	Intake Grille	1	852-2-1601-10101
21	623 129 0654	Air Filter Ass'y	2	852-0-2307-21601
22	623 129 0661	Sash Grille	1	852-2-1503-21701
23	623 129 0678	Sash Grille	1	852-2-1503-21801
24	623 129 0685	Mounting Plate, Filter	1	852-2-2218-12601
25	623 128 9450	Blade Ass'y (incl. No.26-37)	1	852-0-1504-15700
26	638 011 3743	Blade	20	852-2-1519-23801
27	638 006 1761	Support Louver	1	854-2-1111-23501
28	623 093 2043	Mounting	2	852-2-1514-31101
29	623 093 2050	Mounting	1	852-2-1514-31201
30	623 129 0715	Flap	1	852-2-1523-16701
31	638 006 1778	Fastener Blade	1	852-2-1606-10201
32	623 129 9640	Mounting	2	852-2-1514-44001
33	623 049 1465	Mounting	1	852-2-1514-26801
34	623 131 8228	Discharge Frame	1	852-2-1407-10400
35	623 131 8235	Discharge Frame	1	852-2-1407-10500
36	623 129 0524	Cam	1	852-2-2382-11101
37	623 049 1557	Mounting	1	852-2-1514-27101
38	623 096 4235	Wire	2	852-2-1315-23901
39	638 011 3750	Mounting	2	852-2-1514-47501
40	623 128 9344	Frame Ass'y (incl. No.41-44)	1	852-0-2201-23600
41	623 130 2173	Frame	1	852-2-2231-23201
42	623 129 0739	Cover	1	852-2-2369-25101
43	623 090 6297	Mounting Plate	2	852-2-2309-41201
44	623 130 4597	Insulation, Evap. Casing	1	852-2-2405-17602
45	638 006 5295	Cover Ass'y, Evaporator	1	854-0-2317-16400
46	623 092 8961	Mounting Plate	1	852-2-2309-42001
47	638 006 2096	Spacer	1	854-2-1348-18400
48	638 006 2454	Air Cut	1	854-2-2512-12101
49	623 128 9351	Rear Panel Ass'y	1	852-0-2210-10200
50	623 118 2515	Cushion Rubber	2	852-2-2511-15801

NOTE: Metal and plastic parts will be supplied basically
with necessary heat insulation pads or packing.
Each key number with an asterisk (*) means the
recommended service parts.

ATTENTION !

To ensure correct parts supply, please let us know followings,
when you make service parts order:

1. Part No. 2. Description 3. Q' ty 4. Volts-Hz-Ph 5. Product Model No.

Key No.	Part No.	Description	Q' ty	Reference No.
51	623 092 8916	Mounting Plate, Fan Motor	1	852-2-2520-18801
52	623 092 8978	Mounting Plate, Fan Motor	1	852-2-2520-18901
53	623 092 8909	Cover	1	852-2-2515-14501
54	623 092 8954	Drain Pipe Ass'y	1	854-0-4297-12400
* 55	638 006 5288	Drain Pan Ass'y	1	854-0-2301-44300
56	638 011 3767	Elec. Component Box Ass'y	1	854-0-5301-67801
57	638 011 3774	Elec. Wiring Diagram	1	854-2-5268-41000
58	638 010 7902	Terminal Base UKT25W-5J(A)	1	1FJ-4-J3A0-02300
59	623 124 7078	Terminal Base SE15A-3P	1	4-2379-56259
60	638 011 3620	Magnetic Coil	1	1FJ-4-L8A0-02700
* 61	638 007 4945	Synchronized Motor M2LJ24ZE31	1	528-0-0000-07016
62	638 011 3781	Capillary Tube	1	854-2-4231-90400
63	638 011 3798	Capillary Tube	1	854-2-4231-90500
64	638 011 3804	Capillary Tube	1	854-2-4231-90600
65	638 011 3811	Capillary Tube	1	854-2-4231-90700
66	638 011 3828	Capillary Tube	1	854-2-4231-90800
67	638 011 3835	Capillary Tube	1	854-2-4231-90900
68	638 010 9395	Operation Manual	1	854-6-4189-10900

NOTE: Metal and plastic parts will be supplied basically
with necessary heat insulation pads or packing.
Each key number with an asterisk (*) means the
recommended service parts.

ATTENTION !

To ensure correct parts supply, please let us know followings,
when you make service parts order:

1. Part No. 2. Description 3. Q' ty 4. Volts-Hz-Ph 5. Product Model No.

Key No.	Part No.	Description	Q' ty	Reference No.
* 1	623 113 5566	Cross-Flow Fan Ass' y D100 L760	1	852-0-2509-18000
* 2	623 094 4466	Bearing Housing Ass' y	1	852-0-2510-12800
* 3	638 006 1662	Fan Motor Ass' y UF2Q-21C5P	1	854-0-5202-05200
* 4	638 010 9074	P. C. B. Ass' y CR-X253GH	1	854-0-5178-09700
* 5	638 011 0148	Fixed Capacitor UPMDD 440V, 1. OMF	1	4-2239-57220
* 6	638 011 3668	Transformer Ass' y ATR-II251TB	1	854-0-5263-05200
* 7	638 011 3675	Thermistor (Indoor Air) KTEC-35-S6	1	854-0-5259-11300
* 8	638 011 3682	Thermistor (Indoor Coil) PBC-41E-S4	1	854-0-5259-11700
* 9	638 011 3699	Thermistor (Indoor Coil) PBC-41E-S4	1	854-0-5259-13600
* 10	638 011 3705	Thermistor (Indoor Coil) PBC-41E-S25	1	854-0-5259-12600
* 11	638 011 3842	Heat Exchanger Ass' y	1	854-0-4119-39600
* 12	638 011 3729	Strainer Ass' y	1	854-0-4522-19700
* 13	623 043 4059	Strainer Ass' y	1	852-0-4506-14000
* 14	638 011 3736	Solenoid Control Valve	1	854-2-4548-12200
15	623 132 0078	Mounting Thermostat	1	852-2-5303-19201
16	638 006 2430	Cover Plate (incl. No.17)	1	854-2-2342-552H1
17	638 006 3574	Cover Plate	1	854-2-2342-55201
18	623 128 9443	Grille Ass' y (incl. No.19-24)	1	852-0-1501-22000
19	623 129 0630	Grille	1	852-2-1501-32701
20	623 129 0647	Intake Grille	1	852-2-1601-10101
21	623 129 0654	Air Filter Ass' y	2	852-0-2307-21601
22	623 129 0661	Sash Grille	1	852-2-1503-21701
23	623 129 0678	Sash Grille	1	852-2-1503-21801
24	623 129 0685	Mounting Plate, Filter	1	852-2-2218-12601
25	623 128 9450	Blade Ass' y (incl. No.26-37)	1	852-0-1504-15700
26	638 011 3743	Blade	20	852-2-1519-23801
27	638 006 1761	Support Louver	1	854-2-1111-23501
28	623 093 2043	Mounting	2	852-2-1514-31101
29	623 093 2050	Mounting	1	852-2-1514-31201
30	623 129 0715	Flap	1	852-2-1523-16701
31	638 006 1778	Fastener Blade	1	852-2-1606-10201
32	623 129 9640	Mounting	2	852-2-1514-44001
33	623 049 1465	Mounting	1	852-2-1514-26801
34	623 131 8228	Discharge Frame	1	852-2-1407-10400
35	623 131 8235	Discharge Frame	1	852-2-1407-10500
36	623 129 0524	Cam	1	852-2-2382-11101
37	623 049 1557	Mounting	1	852-2-1514-27101
38	623 096 4235	Wire	2	852-2-1315-23901
39	638 011 3750	Mounting	2	852-2-1514-47501
40	623 128 9344	Frame Ass' y (incl. No.41-44)	1	852-0-2201-23600
41	623 130 2173	Frame	1	852-2-2231-23201
42	623 129 0739	Cover	1	852-2-2369-25101
43	623 090 6297	Mounting Plate	2	852-2-2309-41201
44	623 130 4597	Insulation, Evap. Casing	1	852-2-2405-17602
45	638 006 5295	Cover Ass' y, Evaporator	1	854-0-2317-16400
46	623 092 8961	Mounting Plate	1	852-2-2309-42001
47	638 006 2096	Spacer	1	854-2-1348-18400
48	638 006 2454	Air Cut	1	854-2-2512-12101
49	623 128 9351	Rear Panel Ass' y	1	852-0-2210-10200
50	623 118 2515	Cushion Rubber	2	852-2-2511-15801

NOTE: Metal and plastic parts will be supplied basically
with necessary heat insulation pads or packing.
Each key number with an asterisk (*) means the
recommended service parts.

ATTENTION !

To ensure correct parts supply, please let us know followings,
when you make service parts order:

1. Part No. 2. Description 3. Q' ty 4. Volts-Hz-Ph 5. Product Model No.

Key No.	Part No.	Description	Q' ty	Reference No.
51	623 092 8916	Mounting Plate, Fan Motor	1	852-2-2520-18801
52	623 092 8978	Mounting Plate, Fan Motor	1	852-2-2520-18901
53	623 092 8909	Cover	1	852-2-2515-14501
54	623 092 8954	Drain Pipe Ass'y	1	854-0-4297-12400
* 55	638 006 5288	Drain Pan Ass'y	1	854-0-2301-44300
56	638 011 3767	Elec. Component Box Ass'y	1	854-0-5301-67801
57	638 011 3774	Elec. Wiring Diagram	1	854-2-5268-41000
58	638 010 7902	Terminal Base	1	1FJ-4-J3A0-02300
59	623 124 7078	Terminal Base SE15A-3P	1	4-2379-56259
60	638 011 3620	Magnetic Coil	1	1FJ-4-L8A0-02700
* 61	638 007 4945	Synchronized Motor M2LJ24ZE31	1	528-0-0000-07016
62	638 011 3781	Capillary Tube	1	854-2-4231-90400
63	638 011 3798	Capillary Tube	1	854-2-4231-90500
64	638 011 3804	Capillary Tube	1	854-2-4231-90600
65	638 011 3811	Capillary Tube	1	854-2-4231-90700
66	638 011 3828	Capillary Tube	1	854-2-4231-90800
67	638 011 3835	Capillary Tube	1	854-2-4231-90900
68	638 010 9395	Operation Manual	1	854-6-4189-10900

NOTE: Metal and plastic parts will be supplied basically
with necessary heat insulation pads or packing.
Each key number with an asterisk (*) means the
recommended service parts.

ATTENTION !

To ensure correct parts supply, please let us know followings,
when you make service parts order:

1. Part No. 2. Description 3. Q' ty 4. Volts-Hz-Ph 5. Product Model No.

Key No.	Part No.	Description	Q' ty	Reference No.
* 1	623 113 5566	Cross-Flow Fan Ass' y D100 L760	1	852-0-2509-18000
* 2	623 094 4466	Bearing Housing Ass' y	1	852-0-2510-12800
* 3	638 006 1839	Fan Motor Ass' y UF2Q-21B3P	1	854-0-5202-05300
* 4	638 010 9074	P. C. B. Ass' y CR-X253GH	1	854-0-5178-09700
* 5	623 095 6322	Fixed Capacitor UPMDD 440V, 2.5MF	1	4-2239-56160
* 6	638 011 3668	Transformer Ass' y ATR-II1215TB	1	854-0-5263-05200
* 7	638 011 3675	Thermistor (Indoor Air) KTEC-35-S6	1	854-0-5259-11300
* 8	638 011 3682	Thermistor (Indoor Coil) PBC-41E-S4	1	854-0-5259-11700
* 9	638 011 3699	Thermistor (Indoor Coil) PBC-41E-S4	1	854-0-5259-13600
* 10	638 011 3705	Thermistor (Indoor Coil) PBC-41E-S25	1	854-0-5259-12600
* 11	638 011 3859	Heat Exchanger Ass' y	1	854-0-4119-41200
* 12	638 011 3729	Strainer Ass' y	1	854-0-4522-19700
* 13	623 043 4059	Strainer Ass' y	1	852-0-4506-14000
* 14	638 011 3736	Solenoid Control Valve	1	854-2-4548-12200
15	623 132 0078	Mounting Thermostat	1	852-2-5303-19201
16	638 006 2430	Cover Plate (incl. No.17)	1	854-2-2342-552H1
17	638 006 3574	Cover Plate	1	854-2-2342-55201
18	623 128 9443	Grille Ass' y (incl. No.19-24)	1	852-0-1501-22000
19	623 129 0630	Grille	1	852-2-1501-32701
20	623 129 0647	Intake Grille	1	852-2-1601-10101
21	623 129 0654	Air Filter Ass' y	2	852-0-2307-21601
22	623 129 0661	Sash Grille	1	852-2-1503-21701
23	623 129 0678	Sash Grille	1	852-2-1503-21801
24	623 129 0685	Mounting Plate, Filter	1	852-2-2218-12601
25	623 128 9450	Blade Ass' y (incl. No.26-37)	1	852-0-1504-15700
26	638 011 3743	Blade	20	852-2-1519-23801
27	638 006 1761	Support Louver	1	854-2-1111-23501
28	623 093 2043	Mounting	2	852-2-1514-31101
29	623 093 2050	Mounting	1	852-2-1514-31201
30	623 129 0715	Flap	1	852-2-1523-16701
31	638 006 1778	Fastener Blade	1	852-2-1606-10201
32	623 129 9640	Mounting	2	852-2-1514-44001
33	623 049 1465	Mounting	1	852-2-1514-26801
34	623 131 8228	Discharge Frame	1	852-2-1407-10400
35	623 131 8235	Discharge Frame	1	852-2-1407-10500
36	623 129 0524	Cam	1	852-2-2382-11101
37	623 049 1557	Mounting	1	852-2-1514-27101
38	623 096 4235	Wire	2	852-2-1315-23901
39	638 011 3750	Mounting	2	852-2-1514-47501
40	623 128 9344	Frame Ass' y (incl. No.41-44)	1	852-0-2201-23600
41	623 130 2173	Frame	1	852-2-2231-23201
42	623 129 0739	Cover	1	852-2-2369-25101
43	623 090 6297	Mounting Plate	2	852-2-2309-41201
44	623 130 4597	Insulation, Evap. Casing	1	852-2-2405-17602
45	638 006 5295	Cover Ass' y, Evaporator	1	854-0-2317-16400
46	623 092 8961	Mounting Plate	1	852-2-2309-42001
47	638 006 2096	Spacer	1	854-2-1348-18400
48	638 006 2454	Air Cut	1	854-2-2512-12101
49	623 128 9351	Rear Panel Ass' y	1	852-0-2210-10200
50	623 118 2515	Cushion Rubber	2	852-2-2511-15801

NOTE: Metal and plastic parts will be supplied basically
with necessary heat insulation pads or packing.
Each key number with an asterisk (*) means the
recommended service parts.

ATTENTION !

To ensure correct parts supply, please let us know followings,
when you make service parts order:

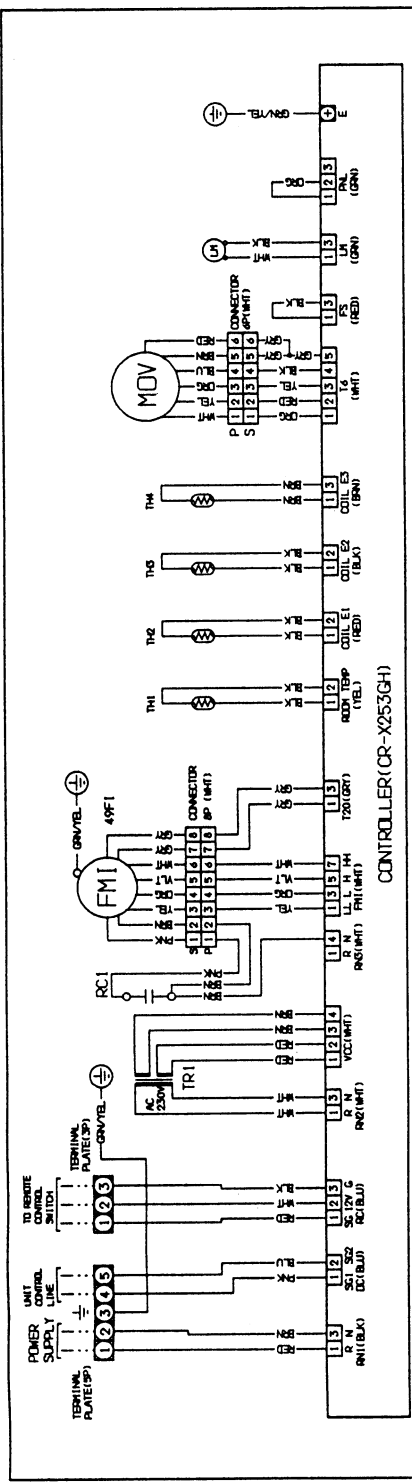
1. Part No. 2. Description 3. Q' ty 4. Volts-Hz-Ph 5. Product Model No.

Key No.	Part No.	Description	Q' ty	Reference No.
51	623 092 8916	Mounting Plate, Fan Motor	1	852-2-2520-18801
52	623 092 8978	Mounting Plate, Fan Motor	1	852-2-2520-18901
53	623 092 8909	Cover	1	852-2-2515-14501
54	623 092 8954	Drain Pipe Ass'y	1	854-0-4297-12400
* 55	638 006 5288	Drain Pan Ass'y	1	854-0-2301-44300
56	638 011 3767	Elec. Component Box Ass'y	1	854-0-5301-67801
57	638 011 3774	Elec. Wiring Diagram	1	854-2-5268-41000
58	638 010 7902	Terminal Base	1	1FJ-4-J3A0-02300
59	623 124 7078	Terminal Base SE15A-3P	1	4-2379-56259
60	638 011 3620	Magnetic Coil	1	1FJ-4-L8A0-02700
* 61	638 007 4945	Synchronized Motor M2LJ24ZE31	1	528-0-0000-07016
62	638 011 3781	Capillary Tube	1	854-2-4231-90400
63	638 011 3798	Capillary Tube	1	854-2-4231-90500
64	638 011 3804	Capillary Tube	1	854-2-4231-90600
65	638 011 3811	Capillary Tube	1	854-2-4231-90700
66	638 011 3828	Capillary Tube	1	854-2-4231-90800
67	638 011 3835	Capillary Tube	1	854-2-4231-90900
68	638 010 9395	Operation Manual	1	854-6-4189-10900

NOTE: Metal and plastic parts will be supplied basically
with necessary heat insulation pads or packing.
Each key number with an asterisk (*) means the
recommended service parts.

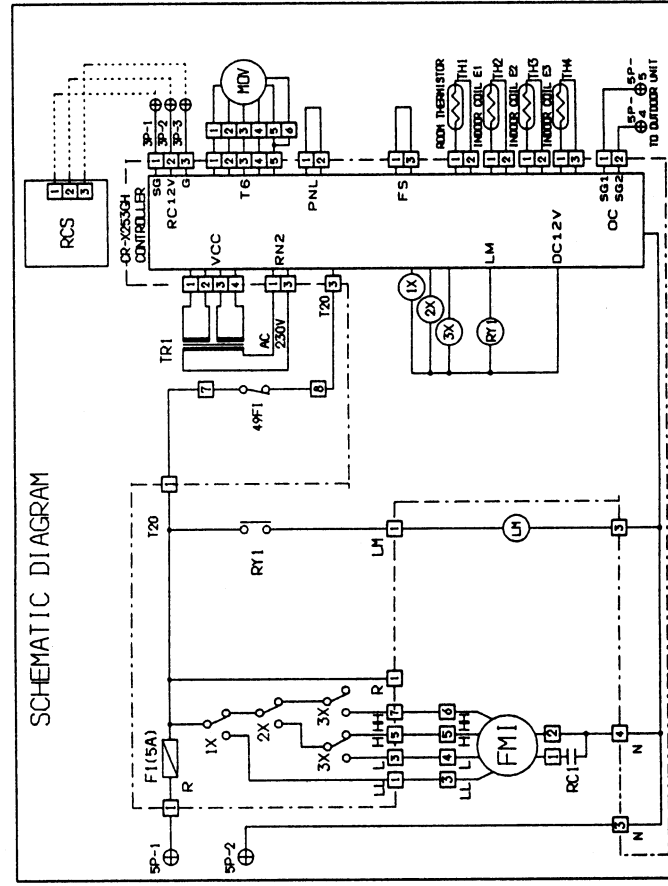
ELECTRIC WIRING DIAGRAM

ELECTRIC WIRING DIAGRAM



SYMBOLS	DESCRIPTION
FMI	INDOOR FAN MOTOR
49FT	INDOOR MOTOR THERMAL PROTECTOR
RC1	RUNNING CAPACITOR
F1	FUSE
LI	AUTO LOWER MOTOR
TR1	POWER TRANSFORMER
IX-3X	AUXILIARY RELAY
RY1	AUXILIARY RELAY
MOV	MOTOR OPERATED VALVE
RCS	REMOTE CONTROL SWITCH
TH1	ROOM THERMISTOR
TH2	THERMISTOR (INDOOR COIL E1)
TH3	THERMISTOR (INDOOR COIL E2)
TH4	THERMISTOR (INDOOR COIL E3)
CR-X253GH	INDOOR CONTROLLER
①	TERMINAL PLATE
②	CONNECTOR
③	TERMINAL

SCHEMATIC DIAGRAM



SANYO

SANYO Electric Co., Ltd.
Osaka, Japan

T0496 (A) 300 Printed in Japan