

SANYO

FILE NO.

INDOOR UNIT

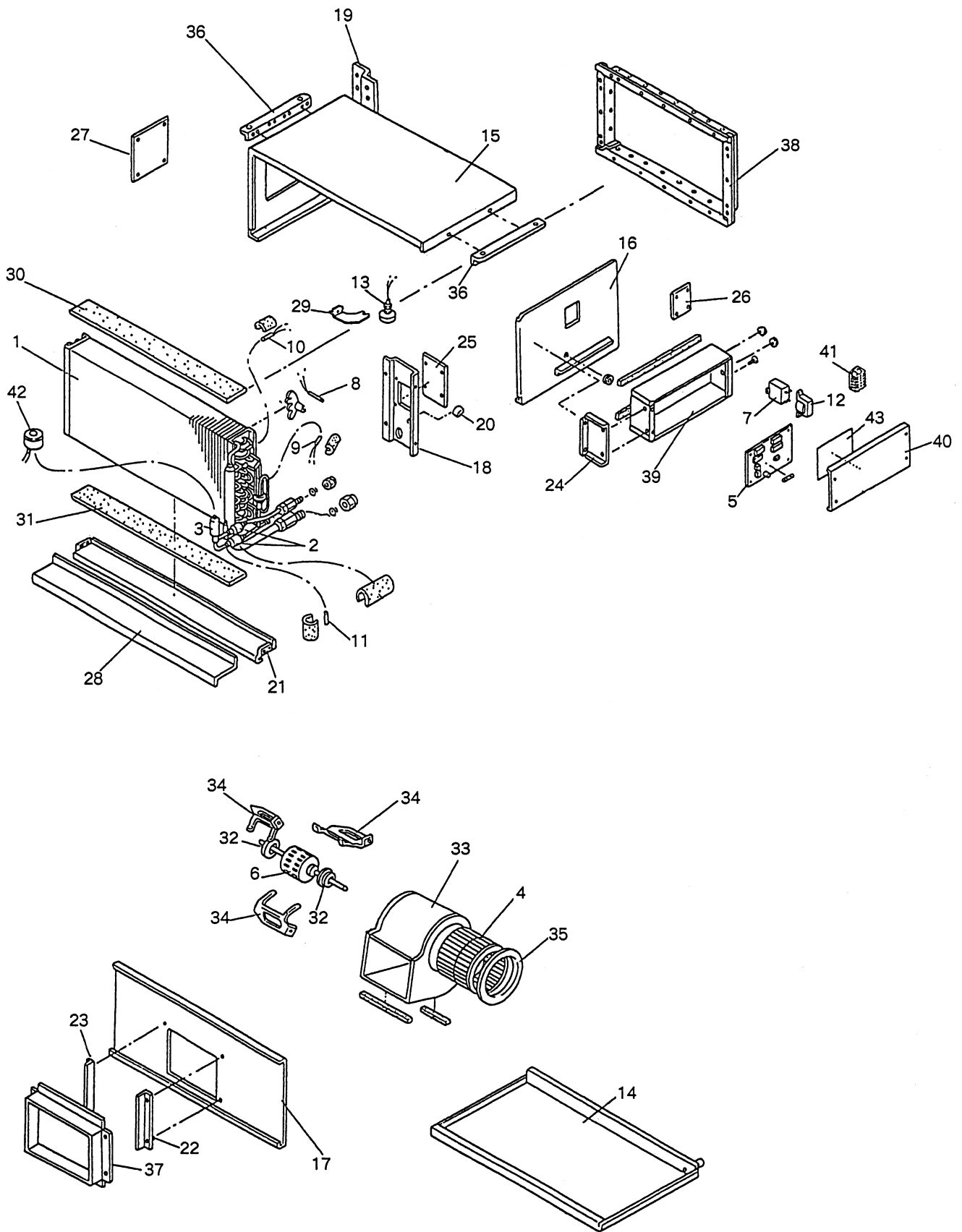
SPW-D363GH56

INDOOR UNIT		APPLICABLE OUTDOOR UNIT	VOLT / ϕ / Hz
MODEL No.	PR. CODE No.	MODEL No.	
SPW-D363GH56	854 011 57	SPW-C703GY8	IN : 220-240 / 1 / 50 OUT : 220-240 / 1 / 50 : 380-415 / 3 / 50
		SPW-C903GY8	
		SPW-C703GYH8	
		SPW-C903GYH8	
		SPW-C363GH8	

CONTENTS

■ EXPLODED VIEW	2
● Indoor Unit	
SPW-D363GH56	2
■ PARTS LIST	3
● Indoor Unit	
SPW-D363GH56	3
■ ELECTRIC WIRING DIAGRAM	4

SPW-D363GH56
INDOOR UNIT



ATTENTION !

To ensure correct parts supply, please let us know followings,
when you make service parts order:

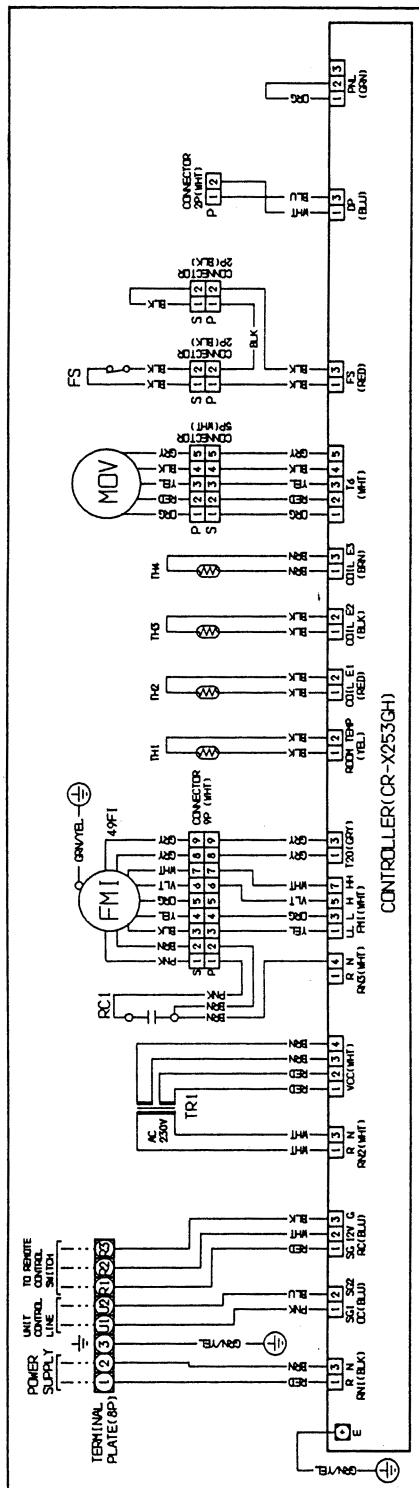
1. Part No. 2. Description 3. Q' ty 4. Volts-Hz-Ph 5. Product Model No.

Key No.	Part No.	Description	Q' ty	Reference No.
* 1	638 011 8366	Heat Exchanger Ass' y	1	854-0-4119-33000
* 2	623 101 8968	Strainer Ass' y	2	854-0-4522-13100
* 3	638 010 8251	Solenoid Control Valve HKV-30D16	1	854-2-4548-11900
* 4	623 068 3310	Centrifugal Fan Ass' y	1	854-0-2501-14300
* 5	638 010 9074	P. C. B. Ass' y CR-X253GH	1	854-0-5178-09700
* 6	638 011 8717	Fan Motor Ass' y KFC4X-201B5P	1	854-0-5202-15700
* 7	638 008 8249	Fixed Capacitor UPMDD-440V/7.0MF	1	4-2239-56167
* 8	638 011 8724	Thermistor (Indoor Air) KTEC-35-S2	1	854-0-5259-11600
* 9	638 011 7956	Thermistor (Indoor Coil) PBC-41E-S36	1	854-0-5259-12100
* 10	638 011 8731	Thermistor (Indoor Coil) PBC-41E-S36	1	854-0-5259-14000
* 11	638 011 8748	Thermistor (Indoor Coil) PBC-41E-S25	1	854-0-5259-13000
* 12	638 011 6362	Transformer Ass' y ATR-11215TB	1	854-0-5263-06600
* 13	638 011 8755	Switch Ass' y FS-3502-204	1	854-0-5257-03400
* 14	638 011 8762	Drain Pan Ass' y	1	854-0-2301-45201
15	638 011 8786	Cabinet Ass' y (incl INS)	1	854-0-1104-163H1
16	638 011 8793	Side Panel Ass' y (incl INS)	1	854-0-1102-305H1
17	638 011 8809	Front Panel (incl INS)	1	854-2-1101-434H0
18	638 002 8252	Mounting Plate, Evaporator	1	854-2-2303-27801
19	623 105 8971	Mounting Plate, Evaporator	1	854-2-2303-19201
20	623 078 4994	Mounting Plate	1	854-2-2360-11811
21	623 078 2204	Guide, Drain Pan	1	854-2-2341-20801
22	623 079 7840	Mounting Plate	1	854-2-2518-28500
23	623 079 7857	Mounting Plate	1	854-2-2518-28600
24	623 076 9137	Mounting Plate, Elec Box	1	854-2-2234-14700
25	623 077 0355	Mounting Plate, Evaporator	1	854-2-2303-18401
26	638 011 8823	Mounting Plate (incl INS)	1	854-2-2360-759H1
27	638 011 8830	Mounting Plate (incl INS)	1	854-2-2360-760H1
28	623 111 0204	Mounting Plate	1	854-2-2360-76101
29	638 011 8847	Mounting Plate	1	854-2-2361-26301
30	623 077 5701	Packing	1	854-2-2336-38200
31	623 105 8995	Packing	1	854-2-2336-39000
32	623 079 9875	Cushion Rubber	2	854-2-2534-12900
33	623 068 4409	Fan Casing Ass' y	1	854-0-2502-17901
34	623 110 8782	Support Motor Ass' y	3	854-0-2511-20101
35	623 079 8052	Air Guide	1	854-2-2519-11501
36	638 002 7729	Mounting Panel	2	854-2-1127-17301
37	638 011 8854	Flange Ass' y, Duct (incl INS)	1	854-0-2306-211H1
38	638 011 8861	Flange Ass' y, Duct (incl INS)	1	854-0-2306-260H1
39	638 011 8878	Elec. Component Box Ass' y	1	854-0-5301-68701
40	623 105 8797	Cover Plate	1	854-2-5304-33500
41	638 010 8183	Terminal Base	1	1FJ-4-J3A0-02200
42	638 010 7698	Magnetic Coil EKV-MOZS559E0	1	1FJ-4-L8A0-01100
43	638 011 8908	Elec Wiring Diagram	1	854-2-5268-42700
44	638 010 9395	Operation Manual	1	854-6-4189-10900

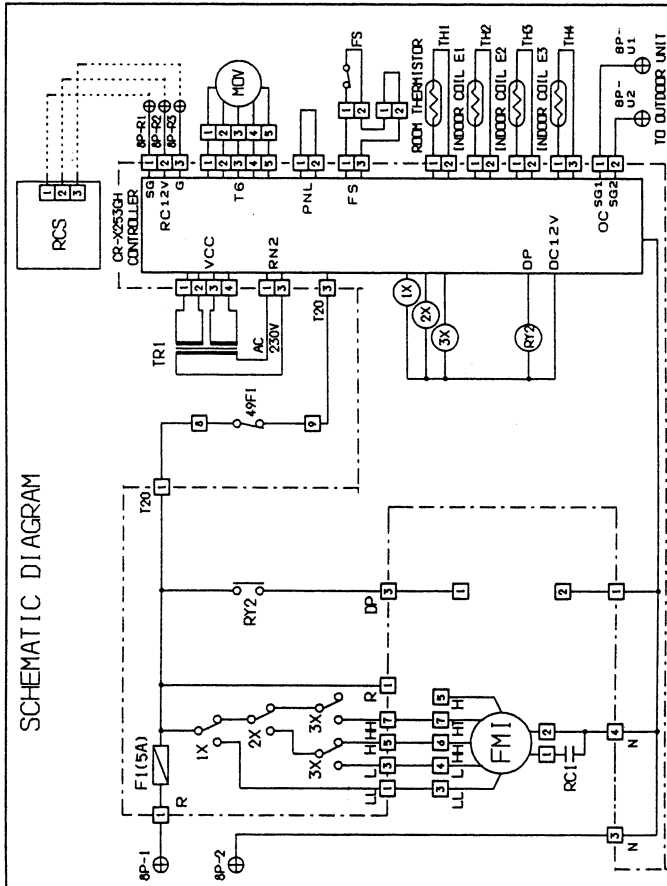
NOTE: Metal and plastic parts will be supplied basically
with necessary heat insulation pads or packing.
Each key number with an asterisk (*) means the
recommended service parts.

ELECTRIC WIRING DIAGRAM

ELECTRIC WIRING DIAGRAM



SYMBOLS	DESCRIPTION
FMI	INDOOR FAN MOTOR
49F1	INDOOR MOTOR THERMAL PROTECTOR
RC1	RUNNING CAPACITOR
F1	FUSE
FS	FLOUT SWITCH
TR1	POWER TRANSFORMER
TR2	AUXILIARY RELAY
TR3	AUXILIARY RELAY
TR4	AUXILIARY RELAY
MOV	MOTOR OPERATED VALVE
RCS	REMOTE CONTROL SWITCH
TH1	ROOM THERMISTOR
TH2	THERMISTOR (INDOOR COIL E1)
TH3	THERMISTOR (INDOOR COIL E2)
TH4	THERMISTOR (INDOOR COIL E3)
CR-X253GH	INDOOR CONTROLLER
□	TERMINAL PLATE
○	CONNECTOR
⊕	TERMINAL



SANYO

SANYO Electric Co., Ltd.
Osaka, Japan