

SANYO

 FILE NO.

INDOOR UNIT

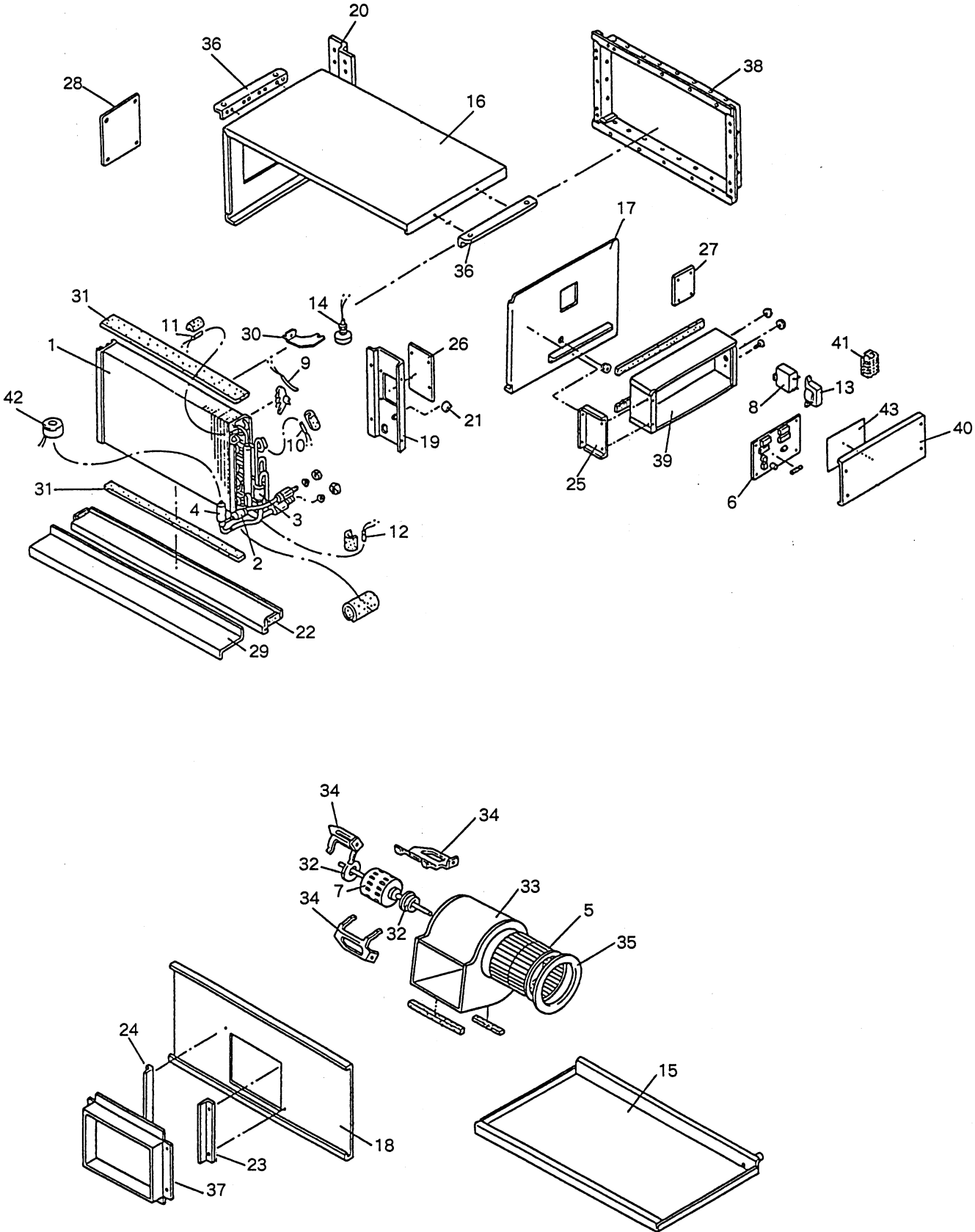
SPW-D253GH56

INDOOR UNIT		APPLICABLE OUTDOOR UNIT	VOLT / ϕ / Hz
MODEL No.	PR. CODE No.	MODEL No.	
SPW-D253GH56	854 011 56	SPW-C703GY8	IN : 220-240 / 1 / 50 OUT : 220-240 / 1 / 50 : 380-415 / 3 / 50
		SPW-C903GY8	
		SPW-C703GYH8	
		SPW-C903GYH8	
		SPW-C253GH5/GH8	

CONTENTS

■ EXPLODED VIEW	2
● Indoor Unit	
SPW-D253GH56	2
■ PARTS LIST	3
● Indoor Unit	
SPW-D253GH56	3
■ ELECTRIC WIRING DIAGRAM	4

**SPW-D253GH56
INDOOR UNIT**



ATTENTION !

To ensure correct parts supply, please let us know followings,
when you make service parts order:

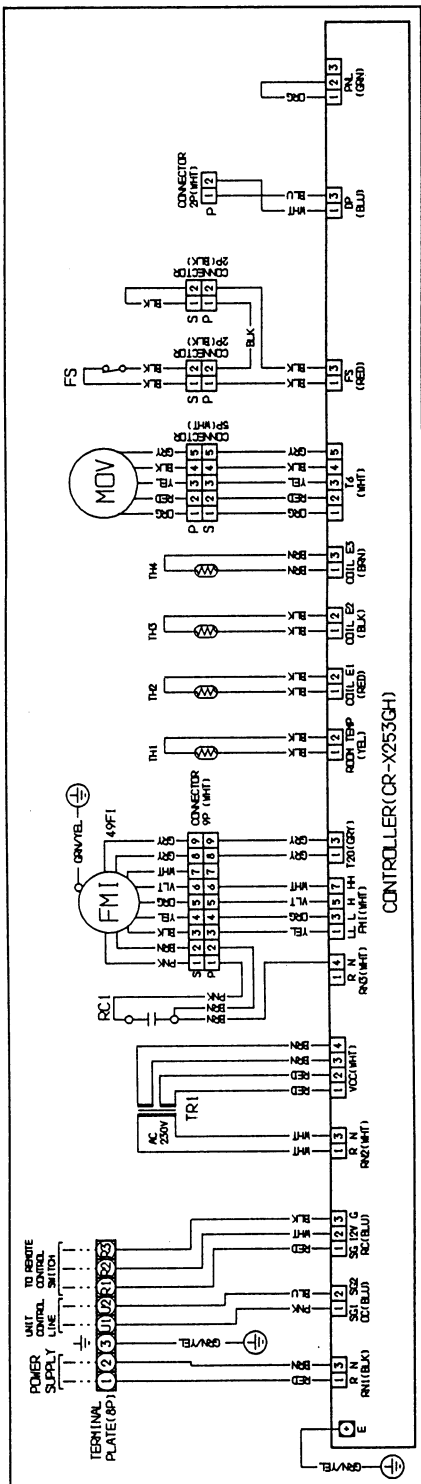
1. Part No. 2. Description 3. Q' ty 4. Volts-Hz-Ph 5. Product Model No.

Key No.	Part No.	Description	Q' ty	Reference No.
* 1	638 009 7340	Heat Exchanger Ass'y	1	854-0-4119-28900
* 2	623 102 1951	Strainer Ass'y	1	854-0-4522-13000
* 3	623 105 0395	Strainer Ass'y	1	854-0-4522-13400
* 4	638 007 2682	Solenoid Control Valve IKV-24D12	1	854-2-4548-11800
* 5	623 068 3310	Centrifugal Fan Ass'y	1	854-0-2501-14300
* 6	638 010 9074	P. C. B. Ass'y CR-X253GH	1	854-0-5178-09700
* 7	638 011 8717	Fan Motor Ass'y KFC4X-201B5P	1	854-0-5202-15700
* 8	638 003 6653	Fixed Capacitor UPMDD-440V/5.0MF	1	4-2239-56165
* 9	638 011 8724	Thermistor (Indoor Air) KTEC-35-S2	1	854-0-5259-11600
* 10	638 011 7956	Thermistor (Indoor Coil) PBC-41E-S36	1	854-0-5259-12100
* 11	638 011 8731	Thermistor (Indoor Coil) PBC-41E-S36	1	854-0-5259-14000
* 12	638 011 8748	Thermistor (Indoor Coil) PBC-41E-S25	1	854-0-5259-13000
* 13	638 011 6362	Transformer Ass'y ATR-11215TB	1	854-0-5263-06600
* 14	638 011 8755	Switch Ass'y FS-3502-204	1	854-0-5257-03400
* 15	638 011 8762	Drain Pan Ass'y	1	854-0-2301-45201
16	638 011 8786	Cabinet Ass'y (incl INS)	1	854-0-1104-163H1
17	638 011 8793	Side Panel Ass'y (incl INS)	1	854-0-1102-305H1
18	638 011 8809	Front Panel (incl INS)	1	854-2-1101-434H0
19	638 002 7811	Mounting Plate, Evaporator	1	854-2-2303-27701
20	623 110 8812	Mounting Plate, Evaporator	1	854-2-2303-25501
21	623 078 6202	Mounting Plate	1	854-2-2360-45100
22	623 078 2204	Guide, Drain Pan	1	854-2-2341-20801
23	623 079 7840	Mounting Plate	1	854-2-2518-28500
24	623 079 7857	Mounting Plate	1	854-2-2518-28600
25	623 076 9137	Mounting Plate, Elec Box	1	854-2-2234-14700
26	623 077 0355	Mounting Plate, Evaporator	1	854-2-2303-18401
27	638 011 8823	Mounting Plate (incl INS)	1	854-2-2360-759H1
28	638 011 8830	Mounting Plate (incl INS)	1	854-2-2360-760H1
29	623 111 0204	Mounting Plate	1	854-2-2360-76101
30	638 011 8847	Mounting Plate	1	854-2-2361-26301
31	623 110 8768	Packing	2	854-2-2336-47400
32	623 079 9875	Cushion Rubber	2	854-2-2534-12900
33	623 068 4409	Fan Casing Ass'y	1	854-0-2502-17901
34	623 110 8782	Support Motor Ass'y	3	854-0-2511-20101
35	623 079 8052	Air Guide	1	854-2-2519-11501
36	638 002 7729	Mounting Panel	2	854-2-1127-17301
37	638 011 8854	Flange Ass'y, Duct (incl INS)	1	854-0-2306-211H1
38	638 011 8861	Flange Ass'y, Duct (incl INS)	1	854-0-2306-260H1
39	638 011 8878	Elec. Component Box Ass'y	1	854-0-5301-68701
40	623 105 8797	Cover Plate	1	854-2-5304-33500
41	638 010 8183	Terminal Base	1	1FJ-4-J3A0-02200
42	638 010 7247	Magnetic Coil DKV-MOZS550E0	1	1FJ-4-L8A0-01000
43	638 011 8885	Elec Wiring Diagram	1	854-2-5268-42600
44	638 010 9395	Operation Manual	1	854-6-4189-10900

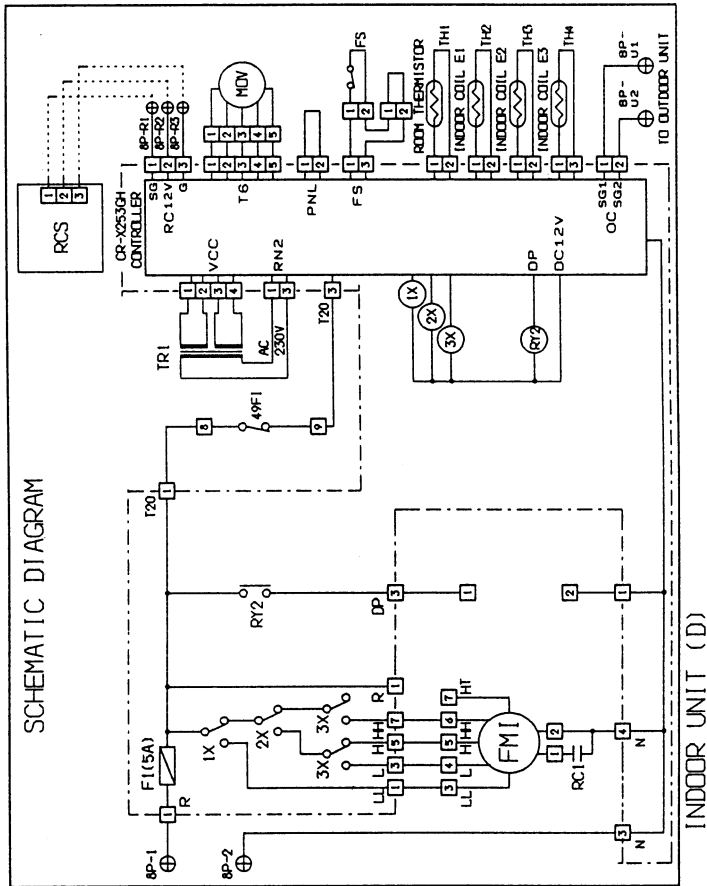
NOTE: Metal and plastic parts will be supplied basically with necessary heat insulation pads or packing. Each key number with an asterisk (*) means the recommended service parts.

ELECTRIC WIRING DIAGRAM

ELECTRIC WIRING DIAGRAM



SYMBOLS	DESCRIPTION
FMI	INDOOR FAN MOTOR
49F1	INDOOR MOTOR THERMAL PROTECTOR
RC1	RUNNING CAPACITOR
FS	FUSE
TR1	POWER TRANSFORMER
IX-3X	AUXILIARY RELAY
MOV	MOTOR OPERATED VALVE
RCS	REMOTE CONTROL SWITCH
TH1	ROOM THERMISTOR
TH2	THERMISTOR (INDOOR COIL E1)
TH3	THERMISTOR (INDOOR COIL E2)
TH4	THERMISTOR (INDOOR COIL E3)
CR-X253GH	INDOOR CONTROLLER
PNL	CONNECTOR
DP	TERMINAL



SANYO

SANYO Electric Co., Ltd.
Osaka, Japan

T0996 (A) 300

Printed in Japan