



# Parts List

**Air Conditioner**

FILE NO.

INDOOR UNIT

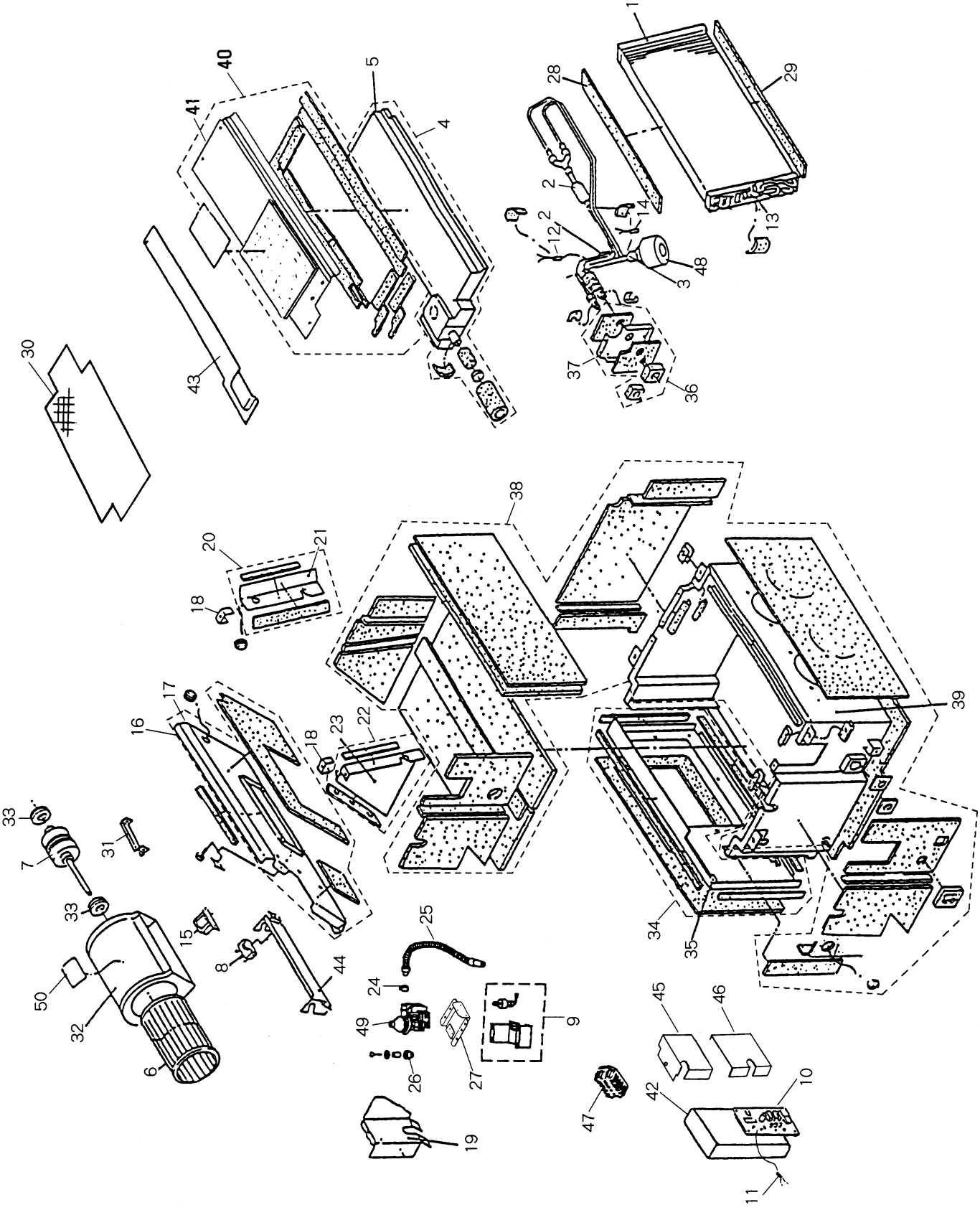
**SPW-AS93GH56**

INDOOR UNIT		APPLICABLE OUTDOOR UNIT	VOLT / $\phi$ / Hz
MODEL No.	PR. CODE No.	MODEL No.	
SPW-AS93GH56	854 011 41	SPW-C703GY8	IN : 220-240 / 1 / 50 OUT : 380-415 / 3 / 50
		SPW-C903GY8	
		SPW-C703GYH8	
		SPW-C903GYH8	

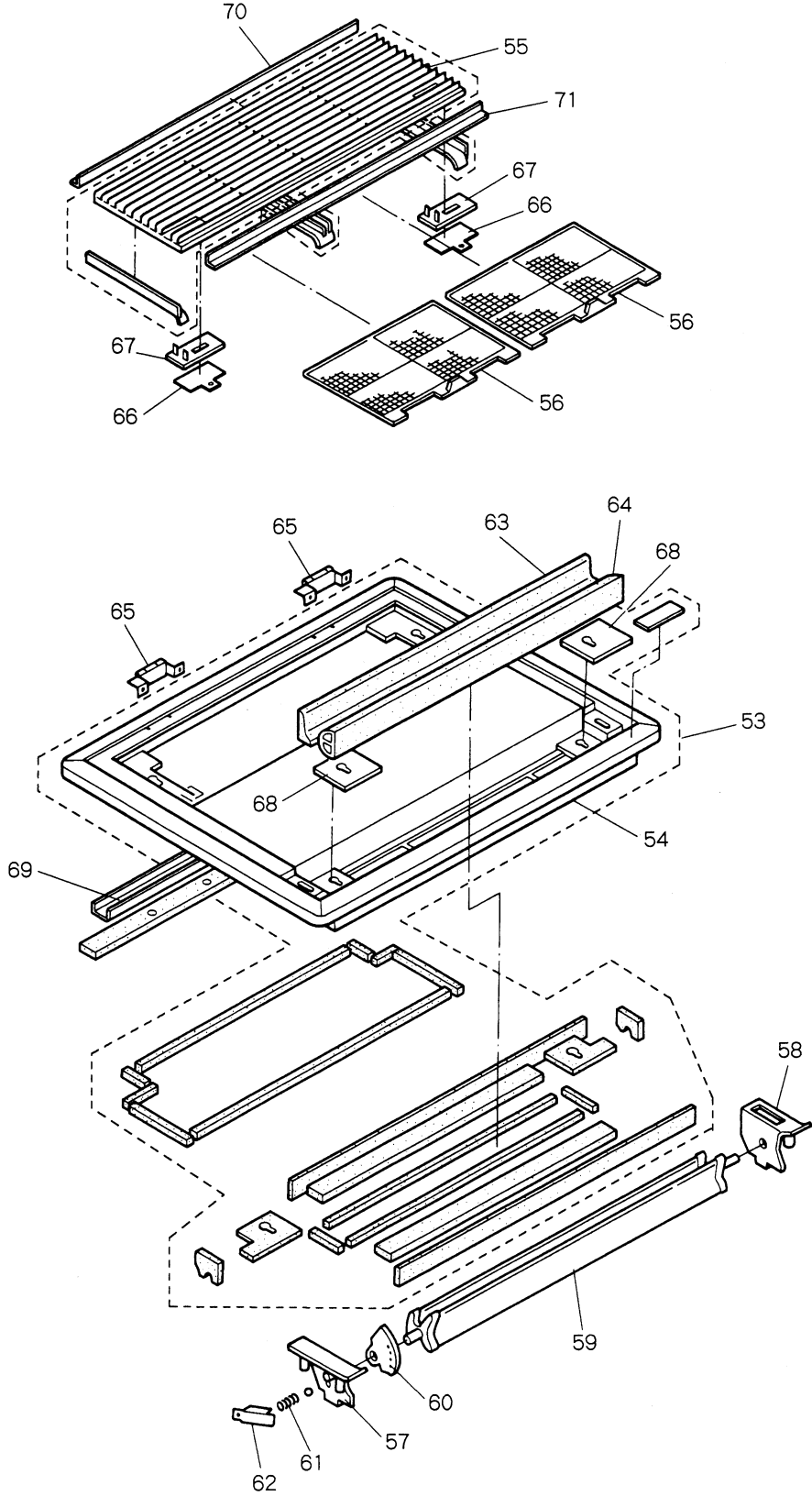
## CONTENTS

- **EXPLODED VIEW** ..... 2
  - Indoor Unit  
SPW-AS93GH56 ..... 2
  - Top Panel  
PNR-AS123GHA ..... 3
- **PARTS LIST** ..... 4
  - Indoor Unit  
SPW-AS93GH56 ..... 4, 5
- **ELECTRIC WIRING DIAGRAM** ..... 6

**SPW-AS93GH56**  
**Indoor Unit**



**PNR-AS123GHA  
TOP PANEL**



ATTENTION !

To ensure correct parts supply, please let us know followings,  
when you make service parts order:

1. Part No. 2. Description 3. Q' ty 4. Volts-Hz-Ph 5. Product Model No.

Key No.	Part No.	Description	Q' ty	Reference No.
* 1	638 011 1398	Heat Exchanger Ass' y (incl No. 2, 3)	1	854-0-4119-39200
* 2	623 098 4622	Strainer Ass' y	2	854-0-4522-12600
* 3	638 011 3736	Solenoid Control Valve	1	854-2-4548-12200
* 4	638 007 8981	Drain Pan Ass' y (incl No. 5)	1	854-0-2301-44800
* 5	638 007 8998	Drain Pan Ass' y	1	854-0-2301-44200
* 6	638 007 0527	Centrifugal Fan Ass' y	1	854-0-2501-22700
* 7	638 007 9001	Fan Motor Ass' y UE6Q-21B3P	1	854-0-5202-07000
* 8	623 128 8996	Fixed Capacitor 440V, 0.6MF	1	4-2239-56156
* 9	638 011 0155	Switch Ass' y FS-0218-102	1	854-0-5152-01400
* 10	638 010 9074	P. C. B. Ass' y CR-X253GH	1	854-0-5178-09700
* 11	638 010 9104	Thermistor (Indoor Air) KTEC35-S6	1	854-0-5259-11200
* 12	638 011 0162	Thermistor (Indoor Coil) PBC-41E-S14	1	854-0-5259-11800
* 13	638 011 0179	Thermistor (Indoor Coil) PBC-41E-S14	1	854-0-5259-13700
* 14	638 011 0186	Thermistor (Indoor Coil) PBC-41E-S25	1	854-0-5259-12700
* 15	638 011 0247	Transformer Ass' y ATR-II215TB	1	854-0-5263-05300
16	638 007 9056	Partition Plate Ass' y (incl. No. 17)	1	854-0-2516-20700
17	638 007 9049	Partition Plate Ass' y	1	854-0-2516-19601
18	623 077 0768	Mounting Plate, Evaporator	2	854-2-2303-21800
19	638 007 9063	Cover Plate	1	854-2-2307-15501
20	638 007 9087	Mounting Plate, Evaporator incl No. 21	1	854-2-2303-29300
21	638 007 9070	Mounting Plate, Evaporator	1	854-2-2303-29001
22	638 007 9094	Mounting Plate, Evaporator incl No. 23	1	854-2-2303-29400
23	638 008 7259	Mounting Plate, Evaporator	1	854-2-2303-29101
24	623 077 2205	Clip	1	854-2-2315-10301
25	623 101 8999	Drain Pipe Ass' y	1	854-0-4297-12900
26	638 004 9523	Cushion Rubber	4	854-2-2318-13800
27	638 007 9117	Mounting Plate Ass' y	1	854-0-2323-46101
28	623 079 3392	Insulation, Evaporator	1	854-2-2404-20400
29	623 079 3385	Insulation, Evaporator	1	854-2-2404-20300
30	638 011 1336	Guard	1	854-2-1113-18501
31	623 079 7932	Mounting Plate	1	854-2-2518-31201
32	638 007 9124	Fan Casing Ass' y	1	854-0-2502-23901
33	623 131 4206	Cushion Rubber	2	852-2-2511-15900
34	638 007 9131	Rear Cover (incl No. 35)	1	854-2-1109-35500
35	638 007 9148	Rear Cover	1	854-2-1109-35401
36	638 007 9155	Cover Plate (incl No. 37)	1	854-2-1133-29100
37	638 011 1343	Cover Plate	1	854-2-1133-30801
38	638 007 9179	Cabinet Ass' y (incl No. 39)	1	854-0-1104-25400
39	638 011 1350	Cabinet Ass' y	1	854-0-1104-27901
40	638 007 9209	Cover Ass' y (incl No. 41)	1	854-0-2325-32200
41	638 007 9193	Cover Ass' y	1	854-0-2325-31401
42	638 011 1367	Elec. Component Box Ass' y	1	854-0-5301-68101
43	638 007 9216	Cover Plate	1	854-2-5304-42501
44	638 007 9223	Elec. Component Box Ass' y	1	854-0-5301-61401
45	638 011 1374	Cover Plate Ass' y	1	854-0-5304-17501
46	638 011 2838	Cover Plate	1	854-2-5304-45201
47	638 010 8183	Terminal Base	1	1FJ-4-J3A0-02200
48	638 011 3620	Magnetic Coil	1	1FJ-4-L8A0-02700
49	638 011 0216	Drain Pump Ass' y WP20SL-14	1	854-0-5264-02200
50	638 011 0223	Electric Wiring Diagram	1	854-2-5268-41100

NOTE: Metal and plastic parts will be supplied basically  
with necessary heat insulation pads or packing.  
Each key number with an asterisk (\*) means the  
recommended service parts.

**ATTENTION !**

To ensure correct parts supply, please let us know followings,  
when you make service parts order:

1. Part No. 2. Description 3. Q' ty 4. Volts-Hz-Ph 5. Product Model No.

Key No.	Part No.	Description	Q' ty	Reference No.
51	638 010 9395	Operation Manual	1	854-6-4189-10900
52	638 011 0230	Panel Ass'y PNR-AS123GHA incl No. 53-	1	859-344-71
53	638 007 9599	Top Panel (incl No. 54)	1	854-2-1112-32900
54	638 007 9278	Top Panel	1	854-2-1112-21503
55	638 007 9285	Air Intake Grille Ass'y	1	854-0-1110-13605
56	623 095 4410	Frame Filter Ass'y	2	854-0-1302-14230
57	638 007 9292	Cap, Top Panel	1	854-2-1114-10900
58	638 007 9308	Lamp Cover	1	854-2-1323-11300
59	638 007 9315	Blade Louver Ass'y	1	854-0-1505-33401
60	638 007 9322	Support Louver	1	854-2-1111-19803
61	623 072 8332	Coil Spring	1	854-2-1341-10700
62	623 072 1852	Mounting Plate	1	854-2-1129-47701
63	638 007 9605	Insulation	1	854-2-1411-43601
64	638 007 9612	Insulation	1	854-2-1411-43701
65	623 067 9979	Hinge Ass'y	2	854-0-2312-10201
66	623 072 1845	Mounting Plate	2	854-2-1129-47101
67	638 007 9339	Hook Plate	2	854-2-1130-14303
68	623 072 6642	Mounting Plate	2	854-2-1309-12801
69	623 072 6659	Mounting Plate	1	854-2-1309-12901
70	623 072 0589	Mounting Plate, Grille	1	854-2-1123-13101
71	623 072 0596	Mounting Plate, Grille	1	854-2-1123-13201

NOTE: Metal and plastic parts will be supplied basically  
with necessary heat insulation pads or packing.  
Each key number with an asterisk (\*) means the  
recommended service parts.

