



Parts List

Air Conditioner

FILE NO.

INDOOR UNIT

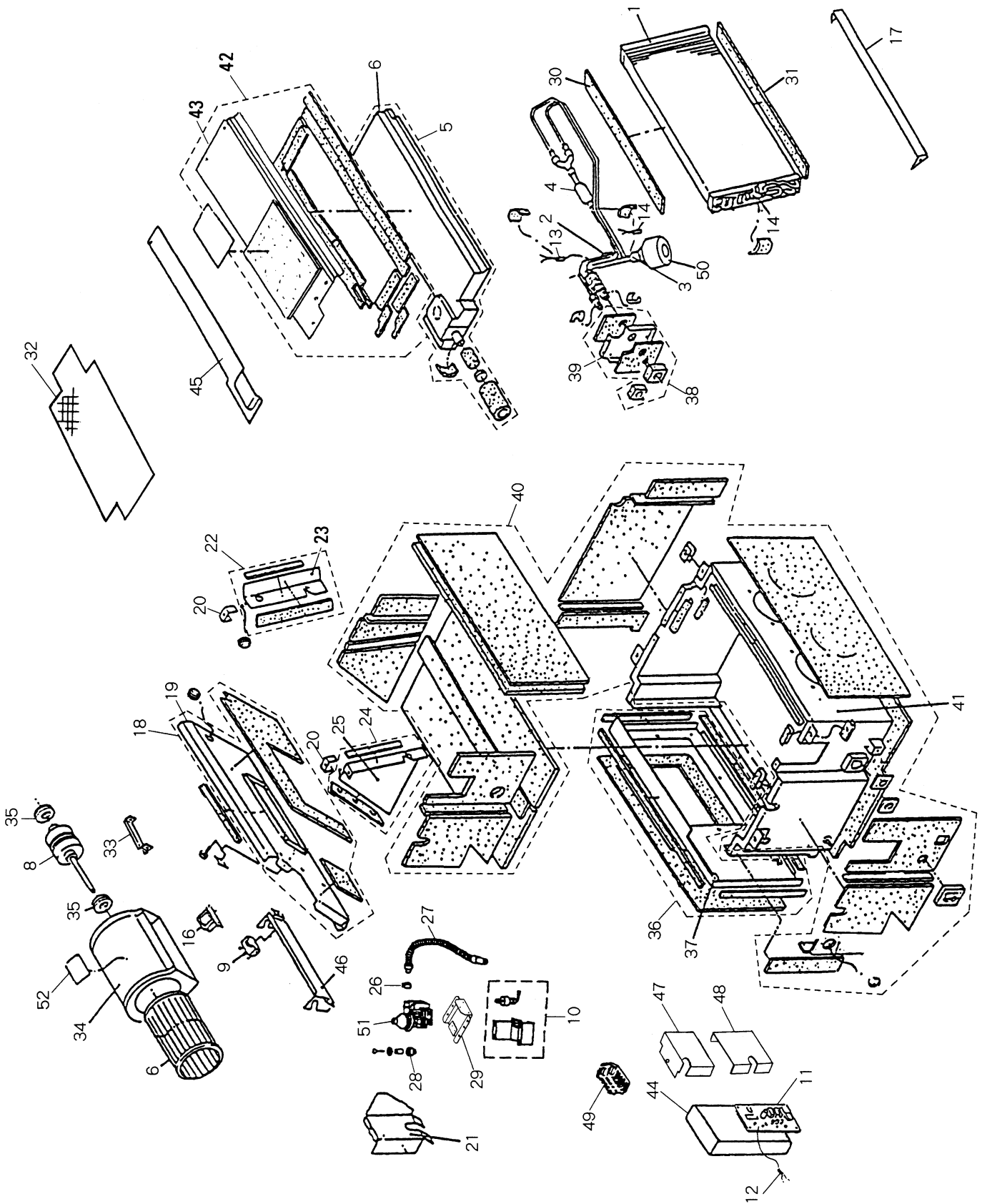
SPW-AS123GH56

INDOOR UNIT		APPLICABLE OUTDOOR UNIT	VOLT / ϕ / Hz
MODEL No.	PR. CODE No.	MODEL No.	
SPW-AS123GH56	854 011 42	SPW-C703GY8	IN : 220-240 / 1 / 50 OUT : 380-415 / 3 / 50
		SPW-C903GY8	
		SPW-C703GYH8	
		SPW-C903GYH8	

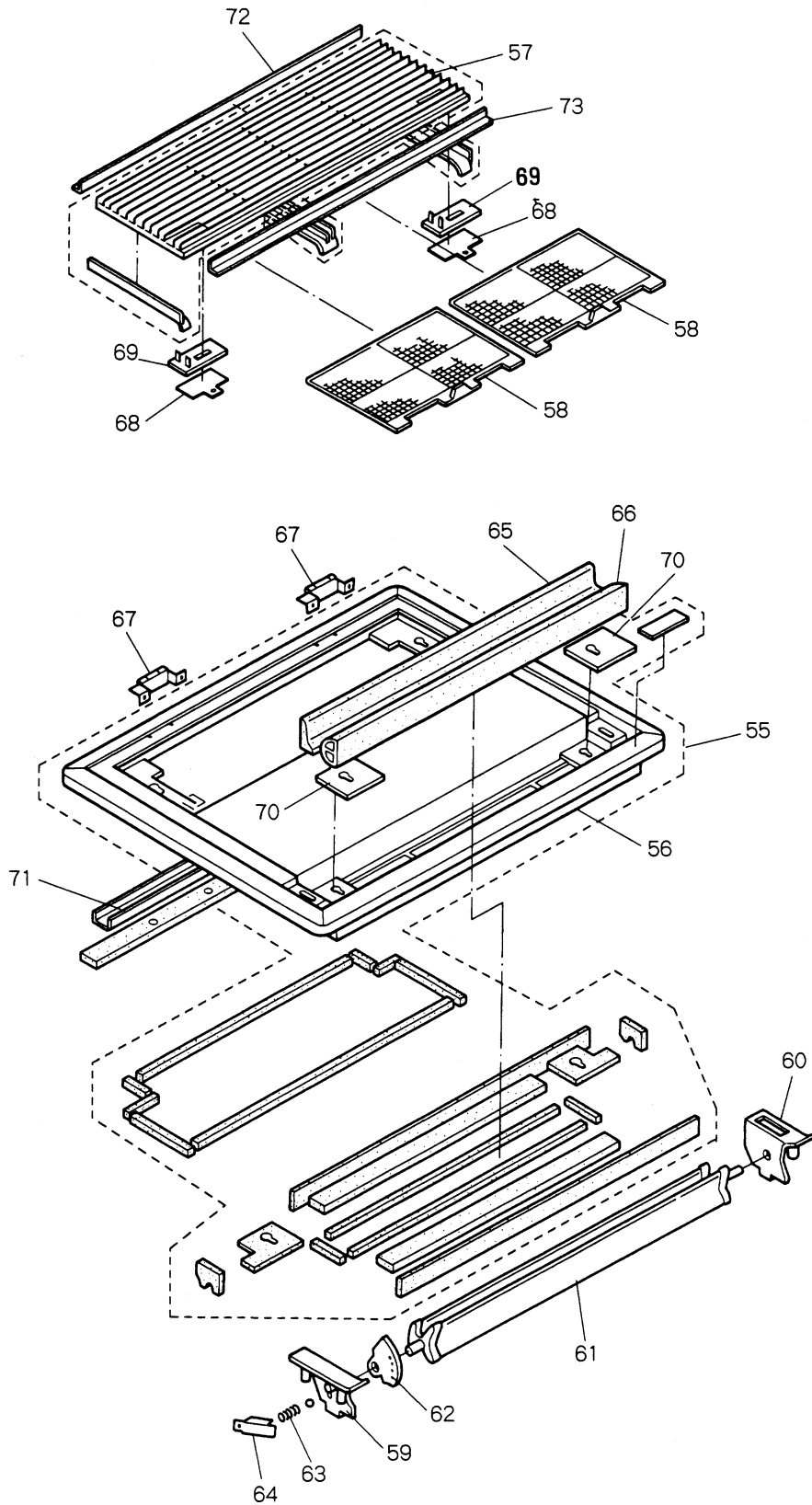
CONTENTS

- **EXPLODED VIEW** 2
 - Indoor Unit
 - SPW-AS123GH56 2
 - Top Panel
 - PNR-AS123GHA 3
- **PARTS LIST** 4
 - Indoor Unit
 - SPW-AS123GH56 4, 5
- **ELECTRIC WIRING DIAGRAM** 6

SPW-AS123GH56
Indoor Unit



PNR-AS123GHA
TOP PANEL



ATTENTION !

To ensure correct parts supply, please let us know followings,
when you make service parts order:

1. Part No. 2. Description 3. Q' ty 4. Volts-Hz-Ph 5. Product Model No.

Key No.	Part No.	Description	Q' ty	Reference No.
* 1	638 011 1329	Heat Exchanger Ass'y (incl No. 2-4)	1	854-0-4119-39800
* 2	623 098 4622	Strainer Ass'y	1	854-0-4522-12600
* 3	638 011 3736	Solenoid Control Valve	1	854-2-4548-12200
* 4	623 105 0166	Strainer Ass'y	1	854-0-4522-13500
* 5	638 007 8981	Drain Pan Ass'y (incl No. 6)	1	854-0-2301-44800
* 6	638 007 8998	Drain Pan Ass'y	1	854-0-2301-44200
* 7	638 007 0527	Centrifugal Fan Ass'y	1	854-0-2501-22700
* 8	638 007 9001	Fan Motor Ass'y UE6Q-21B3P	1	854-0-5202-07000
* 9	638 011 0148	Fixed Capacitor 440V, 1.0MF	1	4-2239-57220
* 10	638 011 0155	Switch Ass'y FS-0218-102	1	854-0-5152-01400
* 11	638 010 9074	P. C. B. Ass'y CR-X253GH	1	854-0-5178-09700
* 12	638 010 9104	Thermistor (Indoor Air) KTEC35-S6	1	854-0-5259-11200
* 13	638 011 0162	Thermistor (Indoor Coil) PBC-41E-S26	1	854-0-5259-11800
* 14	638 011 0179	Thermistor (Indoor Coil) PBC-41E-S25	1	854-0-5259-13700
* 15	638 011 0186	Thermistor (Indoor Coil) PBC-41E-S25	1	854-0-5259-12700
* 16	638 011 0247	Transformer Ass'y ATR-II215TB	1	854-0-5263-05300
17	638 007 9032	Air Cut	1	854-2-2512-12201
18	638 007 9056	Partition Plate Ass'y (incl. No. 19)	1	854-0-2516-20700
19	638 007 9049	Partition Plate Ass'y	1	854-0-2516-19601
20	623 077 0768	Mounting Plate, Evaporator	2	854-2-2303-21800
21	638 007 9063	Cover Plate	1	854-2-2307-15501
22	638 007 9087	Mounting Plate, Evaporator incl No. 23	1	854-2-2303-29300
23	638 007 9070	Mounting Plate, Evaporator	1	854-2-2303-29001
24	638 007 9094	Mounting Plate, Evaporator incl No. 25	1	854-2-2303-29400
25	638 007 9100	Mounting Plate, Evaporator	1	854-2-2303-29201
26	623 077 2205	Clip	1	854-2-2315-10301
27	623 101 8999	Drain Pipe Ass'y	1	854-0-4297-12900
28	638 004 9523	Cushion Rubber	4	854-2-2318-13800
29	638 007 9117	Mounting Plate Ass'y	1	854-0-2323-46101
30	623 079 3330	Insulation, Evaporator	1	854-2-2404-19600
31	623 079 3323	Insulation, Evaporator	1	854-2-2404-19500
32	638 011 1336	Guard	1	854-2-1113-18501
33	623 079 7932	Mounting Plate	1	854-2-2518-31201
34	638 007 9124	Fan Casing Ass'y	1	854-0-2502-23901
35	623 131 4206	Cushion Rubber	2	852-2-2511-15900
36	638 007 9131	Rear Cover (incl No. 37)	1	854-2-1109-35500
37	638 007 9148	Rear Cover	1	854-2-1109-35401
38	638 007 9155	Cover Plate (incl No. 39)	1	854-2-1133-29100
39	638 011 1343	Cover Plate	1	854-2-1133-30801
40	638 007 9179	Cabinet Ass'y (incl No. 41)	1	854-0-1104-25400
41	638 011 1350	Cabinet Ass'y	1	854-0-1104-27901
42	638 007 9209	Cover Ass'y (incl No. 43)	1	854-0-2325-32200
43	638 007 9193	Cover Ass'y	1	854-0-2325-31401
44	638 011 1367	Elec. Component Box Ass'y	1	854-0-5301-68101
45	638 007 9216	Cover Plate	1	854-2-5304-42501
46	638 007 9223	Elec. Component Box Ass'y	1	854-0-5301-61401
47	638 011 1374	Cover Plate Ass'y	1	854-0-5304-17501
48	638 011 2838	Cover Plate	1	854-2-5304-45201
49	638 010 8183	Terminal Base	1	1FJ-4-J3A0-02200
50	638 011 3620	Magnetic Coil	1	1FJ-4-L8A0-02700

NOTE: Metal and plastic parts will be supplied basically
with necessary heat insulation pads or packing.
Each key number with an asterisk (*) means the
recommended service parts.

ATTENTION !

To ensure correct parts supply, please let us know followings,
when you make service parts order:

1. Part No. 2. Description 3. Q' ty 4. Volts-Hz-Ph 5. Product Model No.

Key No.	Part No.	Description	Q' ty	Reference No.
51	638 011 0216	Drain Pump Ass'y WP20SL-14	1	854-0-5264-02200
52	638 011 0223	Electric Wiring Diagram	1	854-2-5268-41100
53	638 010 9395	Operation Manual	1	854-6-4189-10900
54	638 011 0230	Panel Ass'y PNR-AS123GHA incl No. 55-	1	859-344-71
55	638 007 9599	Top Panel (incl No. 56)	1	854-2-1112-32900
56	638 007 9278	Top Panel	1	854-2-1112-21503
57	638 007 9285	Air Intake Grille Ass'y	1	854-0-1110-13605
58	623 095 4410	Frame Filter Ass'y	2	854-0-1302-14230
59	638 007 9292	Cap, Top Panel	1	854-2-1114-10900
60	638 007 9308	Lamp Cover	1	854-2-1323-11300
61	638 007 9315	Blade Louver Ass'y	1	854-0-1505-33401
62	638 007 9322	Support Louver	1	854-2-1111-19803
63	623 072 8332	Coil Spring	1	854-2-1341-10700
64	623 072 1852	Mounting Plate	1	854-2-1129-47701
65	638 007 9605	Insulation	1	854-2-1411-43601
66	638 007 9612	Insulation	1	854-2-1411-43701
67	623 067 9979	Hinge Ass'y	2	854-0-2312-10201
68	623 072 1845	Mounting Plate	2	854-2-1129-47101
69	638 007 9339	Hook Plate	2	854-2-1130-14303
70	623 072 6642	Mounting Plate	2	854-2-1309-12801
71	623 072 6659	Mounting Plate	1	854-2-1309-12901
72	623 072 0589	Mounting Plate, Grille	1	854-2-1123-13101
73	623 072 0596	Mounting Plate, Grille	1	854-2-1123-13201

NOTE: Metal and plastic parts will be supplied basically
with necessary heat insulation pads or packing.
Each key number with an asterisk (*) means the
recommended service parts.

