

Parts List



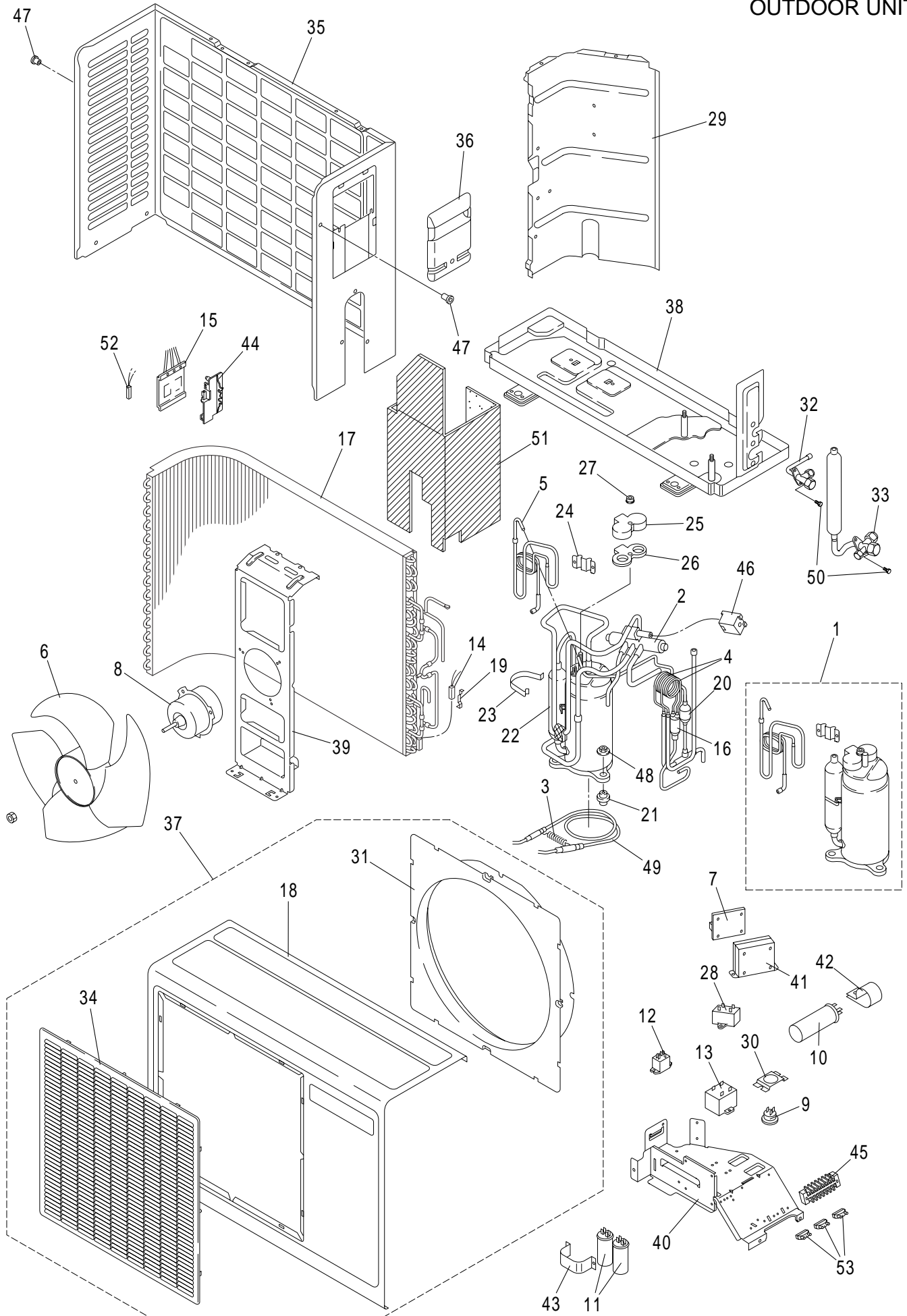
File No.

Air Conditioner

OUTDOOR UNIT
SAP-C241GHA/R

Model No.	Prod.Code	Volt-Phase-Hertz
SAP-C241GHA/R-S	1 852 070 91	220-240-1-50

SAP-C241GHA/R
OUTDOOR UNIT



ATTENTION !

To ensure correct parts supply, please let us know followings,
when you make service parts order:

1.Part No. 2.Description 3.Q'ty 4.Volts-Hz-Ph 5.Product Model No.

SAP-C241GHA/R
OUTDOOR UNIT

Key No.	Part No.	Description	Q'ty	Reference No.
* 1	623 155 1052	Compressor Ass'y	1	852-0-4516-37100
* 2	623 097 1660	Solenoid Valve Ass'y V26-110B	1	852-0-4509-12400
3	623 027 0046	Spring, Heater	1	800-2-5306-10200
4	623 155 1045	Capillary Tube	2	852-2-4268-27600
* 5	623 152 4773	Tube Ass'y	1	852-0-4206-91200
* 6	623 140 7410	Propeller Fan	1	852-2-2502-13101
* 7	623 136 9411	P.C.B. Ass'y POW-C186GH	1	851-0-5172-29800
* 8	623 155 2929	Fan Motor KFG4S-51C5P-S	1	525-0-0000-87305
* 9	626 100 0292	Relay OL-D24	1	4-2329-60394
* 10	623 135 4318	Fixed Capacitor WME-RS 400V/40MF	1	4-2239-57187
* 11	623 136 0012	Fixed Capacitor 160V 125MF	2	4-2239-60273
* 12	623 128 8309	Relay G4F-1123T-US	1	4-2329-56679
* 13	626 100 1503	Relay AMVL300A	1	4-2329-69208
* 14	623 002 9149	Thermostat TRS02-12MSR	1	4-2339-56176
* 15	623 002 9019	Thermostat MQT5S	1	4-2339-56155
16	623 146 6226	Strainer Ass'y	1	852-0-4506-19000
17	623 155 5661	Condenser Ass'y	1	852-0-4102-85600
18	623 156 7909	Cabinet Ass'y	1	85S-0-1101-00600
19	623 054 8640	Mounting Thermostat	1	852-2-5303-14900
20	623 143 5970	Strainer Ass'y	1	852-0-4506-18400
21	623 145 0577	Cushion Rubber	3	819-2-6920-10700
22	623 154 6522	Accumulator Ass'y	1	852-0-4511-24100
23	623 051 3921	Band Mounting	1	852-2-2356-17501
24	623 050 5742	Mounting Plate	1	852-2-2309-34101
25	626 040 0604	Cover Terminal	1	801-2-6194-10800
26	626 040 0338	Gasket Terminal	1	801-2-5303-13100
27	626 040 0888	Nut 5mm	1	801-2-8305-10100
* 28	623 144 9625	Fixed Capacitor UPMDD-440V/5.0MF	1	4-2239-56165
29	623 151 1179	Partition Plate Ass'y	1	852-0-2209-25200
30	623 034 7748	Mounting	1	851-2-2340-14301
31	623 140 7533	Nozzle	1	852-2-2311-15001
32	623 151 1162	Valve Ass'y 1/4 in.	1	852-0-4501-92800
33	623 152 4803	Valve Ass'y 5/8 in.	1	852-0-4501-95400
34	623 156 3567	Guard	1	852-2-1321-14502
35	623 156 3536	Rear Panel Ass'y	1	85S-0-1108-00200
36	623 156 3529	Cover Plate Ass'y	1	85S-0-5302-00100
37	623 156 7909	Cabinet Ass'y	1	85S-0-1101-00600
38	623 157 2064	Bottom Plate Ass'y	1	85S-0-2202-01000
39	623 151 1186	Mounting Plate Ass'y	1	852-0-2506-18500
40	623 156 7916	Elec. Component Box Ass'y	1	85S-0-5301-00100
41	623 156 3543	Electric J-B	1	85S-2-5307-00101
42	623 038 0332	Clip, Capacitor	1	851-2-5301-20701
43	623 145 7149	Clip, Capacitor	1	852-2-5301-21910
44	623 151 1209	Mounting Thermostat	1	852-2-5303-22600
45	623 096 3030	Terminal Base	1	4-2379-56217
46	623 152 4810	Magnetic Coil LB64012	1	1FA-4-L8A0-01900
47	623 154 2272	Spacer	2	852-2-2326-14354
48	623 068 1125	Nut Special Ass'y	3	854-0-2321-10201
49	623 003 6109	Heater 33F	1	4-2459-54011
50	623 155 1090	Deltite Screw	4	3-9201-62003

NOTE: Metal and plastic parts will be supplied basically with necessary heat insulation pads or packing.
Each key number with an asterisk (*) means the recommended service parts.

ATTENTION !

To ensure correct parts supply, please let us know followings,
when you make service parts order:

1.Part No. 2.Description 3.Q'ty 4.Volts-Hz-Ph 5.Product Model No.

SAP-C241GHA/R
OUTDOOR UNIT

Key No.	Part No.	Description	Q'ty	Reference No.
51	623 155 1083	Insulation	1	852-2-2476-49600
* 52	623 155 5630	Thermostat Other TRS02-M13MSR436	1	1FA-4-S4Z0-00800
53	623 140 7595	Clip, Wire	3	852-2-5304-16700

NOTE: Metal and plastic parts will be supplied basically
with necessary heat insulation pads or packing.
Each key number with an asterisk (*) means the
recommended service parts.

The SANYO logo consists of the word "SANYO" in a bold, sans-serif font. The letter "A" is stylized with vertical lines passing through it.

SANYO Electric Co.,Ltd
Osaka, Japan
10/00 Printed in Japan