

Parts List



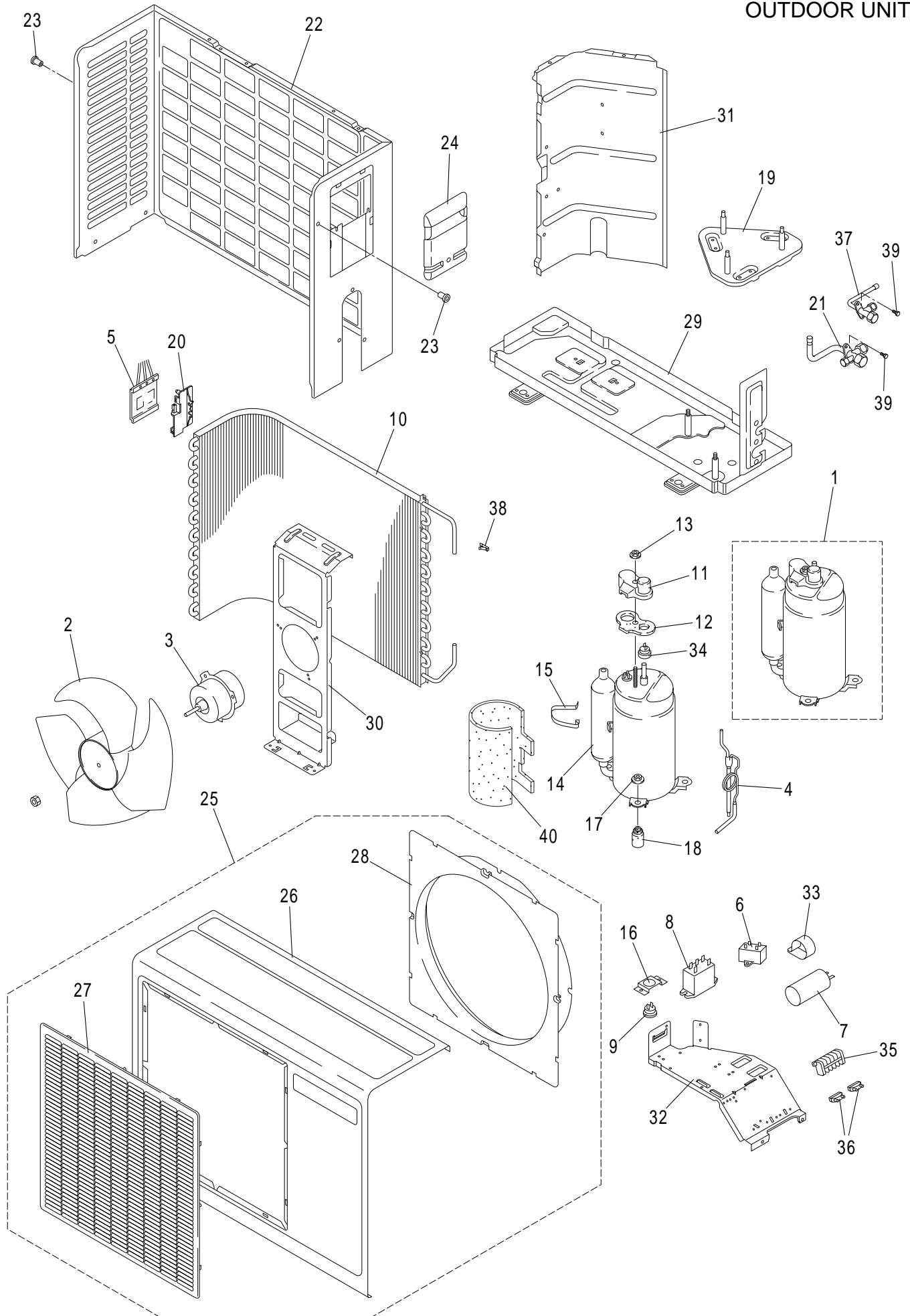
File No.

Air Conditioner

OUTDOOR UNIT
SAP-C161GA

Model No.	Prod.Code	Volt-Phase-Hertz
SAP-C161GA-S	1 852 070 55	220-240-1-50

SAP-C161GA
OUTDOOR UNIT



ATTENTION !

To ensure correct parts supply, please let us know followings,
when you make service parts order:

1.Part No. 2.Description 3.Q'ty 4.Volts-Hz-Ph 5.Product Model No.

SAP-C161GA
OUTDOOR UNIT

Key No.	Part No.	Description	Q'ty	Reference No.
* 1	623 153 9128	Compressor Ass'y	1	852-0-4516-38300
2	623 140 7410	Propeller Fan	1	852-2-2502-13101
* 3	623 140 7427	Fan Motor KFG6S-51A5P-S	1	525-0-0000-69005
* 4	623 153 8343	Tube Ass'y	1	85S-0-4206-01900
* 5	623 002 9019	Thermostat MQT5S	1	4-2339-56155
* 6	623 121 5145	Fixed Capacitor UPMDD-440V/4.0MF	1	4-2239-56163
* 7	623 146 9531	Fixed Capacitor WME-RS 400V/35MF	1	4-2239-57186
* 8	623 131 2547	Relay G7L-2A-TUB	1	4-2329-56722
* 9	623 147 6522	Relay MRA99150	1	4-2329-69367
10	623 156 7800	Condenser Ass'y	1	85S-0-4102-01100
11	623 095 7985	Cover Terminal	1	801-2-6194-13400
12	626 040 1113	Gasket Terminal	1	801-2-5303-16100
13	626 040 0888	Nut 5mm	1	801-2-8305-10100
14	623 147 6515	Accumulator Ass'y	1	819-0-6907-33000
15	623 051 3921	Band Mounting	1	852-2-2356-17501
16	623 145 9846	Mounting	1	851-2-2340-10410
17	623 029 6497	Nut Special Ass'y	3	851-0-2395-10201
18	623 035 0212	Cushion Rubber	3	851-2-2390-15500
19	623 156 7817	Plate Bottom Ass'y	1	85S-0-2202-00202
20	623 151 1209	Mounting Thermostat	1	852-2-5303-22600
21	623 146 6240	Valve Ass'y 1/2 in.	1	852-0-4501-79900
22	623 156 4113	Rear Panel Ass'y	1	85S-0-1108-00100
23	623 154 2272	Spacer	2	852-2-2326-14354
24	623 156 3529	Cover Plate Ass'y	1	85S-0-5302-00100
25	623 156 3581	Cabinet Ass'y	1	85S-0-1101-00100
26	623 156 3574	Cabinet	1	852-2-1112-22602
27	623 156 3567	Guard	1	852-2-1321-14502
28	623 140 7533	Nozzle	1	852-2-2311-15001
29	623 156 7824	Plate Bottom Ass'y	1	85S-0-2202-00102
30	623 140 7557	Mounting Plate Ass'y	1	852-0-2506-17000
31	623 140 7694	Partition Plate Ass'y	1	852-0-2209-20500
32	623 156 3543	Electric J-B	1	85S-2-5307-00101
33	623 054 8022	Clip, Capacitor	1	852-2-5301-21201
* 34	623 002 2225	Relay TS-120N	1	4-2329-50920
35	623 128 9160	Terminal Base	1	4-2379-56266
36	623 140 7595	Clip, Wire	2	852-2-5304-16700
37	623 146 6233	Valve Ass'y 1/4 in	1	852-0-4501-78400
38	623 120 6952	Mounting, Tube	1	852-2-2362-17900
39	623 155 1090	Deltite Screw	4	3-9201-62003
40	623 053 0812	Insulation	1	852-2-2476-20900

NOTE: Metal and plastic parts will be supplied basically with necessary heat insulation pads or packing. Each key number with an asterisk (*) means the recommended service parts.



SANYO Electric Co.,Ltd
Osaka, Japan
10/00 Printed in Japan