

Panasonic®

Operating Instructions Air Conditioner

Model No.

Indoor Unit

CS-PW18MKD

CS-PW24MKD

Outdoor Unit

CU-PW18MKD

CU-PW24MKD



ENGLISH

Before operating the unit, read these operating instructions thoroughly and keep them for future reference.

РУССКИЙ

Перед началом эксплуатации данного устройства внимательно прочитайте инструкции по эксплуатации и сохраните их.

УКРАЇНСЬКА

Уважно прочитайте цю інструкцію перед експлуатацією кондиціонера і збережіть її для довідок у майбутньому.

ҚАЗАҚША

Құрылғыны пайдаланбас бұрын осы пайдалану нұсқауларын мұқият оқыңыз және оларды болашақ анықтамалық үшін сақтап қойыңыз.



QUICK GUIDE
КРАТКАЯ ИНСТРУКЦИЯ
ПОЛЬЗОВАТЕЛЯ
КОРОТКА ІНСТРУКЦІЯ
ҚЫСҚАША НҰСҚАУЛЫҚ

© Panasonic HA Air-Conditioning (M) Sdn. Bhd. 2010.
Unauthorized copying and distribution is a violation
of law.

TABLE OF CONTENTS

SAFETY PRECAUTIONS	4~5
REMOTE CONTROL	6~7
INDOOR UNIT	8
TROUBLESHOOTING	9
INFORMATION	10
QUICK GUIDE	BACK COVER

NOTE : The illustrations in this manual are for explanation purposes only and may differ from the actual unit. It is subjected to change without notice for future improvement.

РУССКИЙ

Благодарим вас за приобретение кондиционера Panasonic

СОДЕРЖАНИЕ

МЕРЫ ПРЕДОСТОРОЖНОСТИ	14~15
ДИСТАНЦИОННОЕ УПРАВЛЕНИЕ	16~17
ВНУТРЕННИЙ БЛОК	18
УСТРАНЕНИЕ НЕИСПРАВНОСТЕЙ	19
ИНФОРМАЦИЯ	20
КРАТКАЯ ИНСТРУКЦИЯ ПОЛЬЗОВАТЕЛЯ	ЗАДНЯЯ КРЫШКА

ПРИМЕЧАНИЕ : Иллюстрации в данном руководстве предназначены для пояснительных целей и могут отличаться для конкретного кондиционера. В связи с последующим совершенствованием конструкции могут вноситься изменения без предварительного уведомления.

УКРАЇНСЬКА

Дякуємо за придбання кондиціонера компанії Panasonic

ЗМІСТ

ТЕХНІКА БЕЗПЕКИ	24~25
ПУЛЬТ ДИСТАНЦІЙНОГО КЕРУВАННЯ	26~27
ВНУТРІШНІЙ БЛОК	28
УСУНЕННЯ НЕСПРАВНОСТЕЙ	29
ІНФОРМАЦІЯ	30
КОРОТКА ІНСТРУКЦІЯ	ЗАДНЯ ОБКЛАДИНКА

ПРИМІТКА : Наведені тут ілюстрації служать тільки для пояснення; зовнішній вигляд кондиціонера може відрізнятися від зображеного. Конструкція і дизайн виробу можуть бути змінені без попередження з метою його вдосконалення.

ҚАЗАҚША

Panasonic ауа желдеткішін сатып алғаныңыз үшін рақмет

МАЗМҰНЫ

САҚТЫҚ ШАРАЛАРЫ	34~35
ҚАШЫҚТАН БАСҚАРУ ҚҰРАЛЫ	36~37
ІШКІ ҚҰРЫЛҒЫ	38
АҚАУЛЫҚТАРДЫ ЖОЮ	39
АҚПАРАТ	40
ҚЫСҚАША НҰСҚАУЛЫҚ	АРТҚЫ ҚАҚПАҚ

ЕСКЕРТПЕ : Осы нұсқаулықтағы суреттер тек түсіндіру мақсатында берілген және олар нақты құрылғыдан басқа болуы мүмкін. Құрылғы болашақта жетілдірілген болса, нұсқаулық ескертусіз өзгертілуі мүмкін.

OPERATION CONDITION

Use this air conditioner under the following temperature range

Temperature (°C)		Indoor		Outdoor	
		*DBT	*WBT	*DBT	*WBT
COOLING	Max.	32	23	43	26
	Min.	16	11	16	11
HEATING	Max.	30	-	24	18
	Min.	16	-	-5	-6

*DBT: Dry bulb temperature

*WBT: Wet bulb temperature

УСЛОВИЯ ЭКСПЛУАТАЦИИ

Используйте данный кондиционер в следующем диапазоне температур

Температура (°C)		В помещении		Вне помещения	
		*DBT	*WBT	*DBT	*WBT
ОХЛАЖДЕНИЕ	Макс.	32	23	43	26
	Мин.	16	11	16	11
ОБОГРЕВ	Макс.	30	-	24	18
	Мин.	16	-	-5	-6

*DBT: Температура по сухому термометру

*WBT: Температура по влажному термометру

УМОВИ ЕКСПЛУАТАЦІЇ

Кондиціонер потрібно використовувати в такому температурному діапазоні

Температура (°C)		У приміщенні		Зовні	
		*DBT	*WBT	*DBT	*WBT
ОХОЛОДЖЕННЯ	Макс.	32	23	43	26
	Мин.	16	11	16	11
ОБИГРІВ	Макс.	30	-	24	18
	Мин.	16	-	-5	-6

*DBT: Температура за сухим термометром

*WBT: Температура за вологим термометром

ПАЙДАЛАНУ ШАРТЫ

Осы ауа желдеткішін мына температура ауқымында пайдаланыңыз

Температура (°C)		Ішкі		Сыртқы	
		*DBT	*WBT	*DBT	*WBT
САЛҚЫНДАТУ	Ең көп	32	23	43	26
	Ең аз	16	11	16	11
ЖЫЛЫТУ	Ең көп	30	-	24	18
	Ең аз	16	-	-5	-6

*DBT: Құрғақ температура

*WBT: Ылғал температура

SAFETY PRECAUTIONS

To prevent personal injury, injury to others, or property damage, please comply with the following. Incorrect operation due to failure to follow instructions below may cause harm or damage, the seriousness of which is classified as below:



WARNING

This sign warns of death or serious injury.



CAUTION

This sign warns of injury or damage to property.

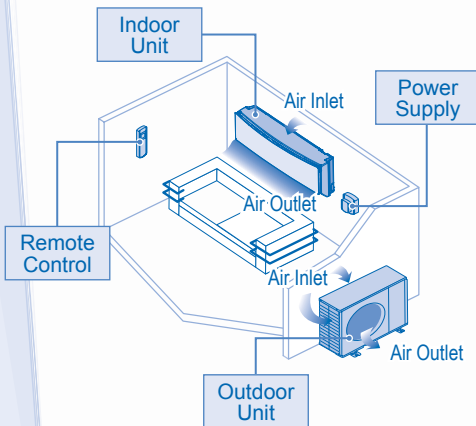
The instructions to be followed are classified by the following symbols:



This symbol denotes an action that is **PROHIBITED**.



These symbols denote an actions that is **COMPULSORY**.



WARNING

INDOOR UNIT AND OUTDOOR UNIT



This appliance is not intended for use by persons (including children) with reduced physical, sensory or mental capabilities, or lack of experience and knowledge, unless they have been given supervision or instruction concerning use of the appliance by a person responsible for their safety. Children should be supervised to ensure that they do not play with the appliance.

Please consult authorized dealer or specialist to clean the internal parts, repair, install, remove and reinstall the unit. Improper installation and handling will cause leakage, electric shock or fire.



Do not install the unit in a potentially explosive or flammable atmosphere. Failure to do so could result in fire.

Do not insert your fingers or other objects into the air conditioner indoor or outdoor unit, rotating parts may cause injury.



Do not touch the outdoor unit during lightning, it may cause electric shock.

Do not expose yourself directly to cold air for a long period to avoid excess cooling.

Do not sit or step on the unit, you may fall down accidentally.



REMOTE CONTROL



Do not allow infants and small children to play with the remote control to prevent them from accidentally swallowing the batteries.

POWER SUPPLY



Do not use modified cord, joint cord, extension cord or unspecified cord to prevent overheating and fire.



To prevent overheating, fire or electric shock:

- Do not share the same power outlet with other equipment.
- Do not operate with wet hands.
- Do not over bend the power supply cord.
- Do not operate or stop the unit by inserting or pulling out the power plug.



WARNING

POWER SUPPLY



If the supply cord is damaged, it must be replaced by the manufacturer, its service agent or similarly qualified persons in order to avoid a hazard.

It is strongly recommended to be installed with Earth Leakage Circuit Breaker (ELCB) or Residual Current Device (RCD) to prevent electric shock or fire.

To prevent overheating, fire or electric shock:

- Insert the power plug properly.
- Dust on the power plug should be periodically wiped with a dry cloth.

Stop using the product when any abnormality/failure occurs and disconnect the power plug or turn off the power switch and breaker.

(Risk of smoke/fire/electric shock)

Examples of abnormality/failure

- The ELCB trips frequently.
- Burning smell is observed.
- Abnormal noise or vibration of the unit is observed.
- Water leaks from the indoor unit.
- Power cord or plug becomes abnormally hot.
- Fan speed cannot be controlled.
- The unit stops running immediately even if it is switched on for operation.
- The fan does not stop even if the operation is stopped.

Contact immediately your local dealer for maintenance/repair.



This equipment must be earthed to prevent electrical shock or fire.



Prevent electric shock by switching off the power supply and unplug when:

- Before cleaning or servicing.
- Extended non-use.
- Abnormally strong lightning activity.



CAUTION

INDOOR UNIT AND OUTDOOR UNIT



Do not wash the indoor unit with water, benzene, thinner or scouring powder to avoid damage or corrosion at the unit.

Do not use for preservation of precise equipment, food, animals, plants, artwork or other objects. This may cause quality deterioration, etc.

Do not use any combustible equipment in front of the airflow outlet to avoid fire propagation.

Do not expose plants or pet directly to airflow to avoid injury, etc.

Do not touch the sharp aluminium fin, sharp parts may cause injury.



Do not switch ON the indoor unit when waxing the floor. After waxing, aerate the room properly before operating the unit.

Do not install the unit in oily and smoky areas to prevent damage to the unit.

Do not dismantle the unit for cleaning purpose to avoid injury.

Do not step onto unstable bench when cleaning the unit to avoid injury.

Do not place vase or water container on the unit. Water may enter the unit and degrade the insulation. This may cause an electric shock.

Do not open window or door for long time during COOL/DRY mode operation.



Ensure drainage pipe is connected properly and keep drainage outlet clear of gutters, containers or does not immersed in water to prevent water leakage.

After long period of use or use with any combustible equipment, aerate the room regularly.

After long period of use, make sure the installation rack does not deteriorate to prevent the unit from falling down.

REMOTE CONTROL



Do not use rechargeable (Ni-Cd) batteries. It may damage the remote control.



To prevent malfunction or damage of the remote control:

- Remove the batteries if the unit is not going to be used for a long period of time.
- New batteries of the same type must be inserted following the polarity stated.

POWER SUPPLY



Do not pull the cord to disconnect the plug to prevent electric shock.

REMOTE CONTROL



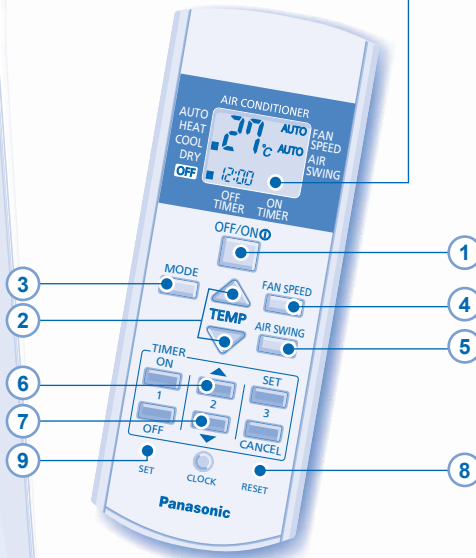
Maximum distances: 8m



INDICATOR

- POWER (Green)
- TIMER (Orange)

Remote Control display



Press the remote control's button

1 TO TURN ON OR OFF THE UNIT



- Please be aware of the OFF indication on the remote control display to prevent the unit from starting/stopping improperly.

2 TO SET TEMPERATURE

- For heat, cool and dry modes, the range of temperature for selection is 16°C ~ 30°C.
- Operating the unit within the recommended temperature could induce energy saving.
HEAT mode : 20°C ~ 24°C.
COOL mode : 26°C ~ 28°C.
DRY mode : 1°C ~ 2°C lower than room temperature.

3 TO SELECT OPERATION MODE

AUTO mode - For your convenience

- Unit selects the operation mode according to the room temperature.
- Once auto mode is selected, the unit will operate at the standard setting temperature.

Room temperature	Operation mode	Standard setting temperature
23°C & above	Cool	25°C
Below 23°C	Dry	22°C
Below 20°C	Heat	21°C

- Press ▲ for "HI" to +2°C or ▼ for "LO" to -2°C to the standard setting temperature.

HEAT mode - To enjoy warm air

- Unit takes a while to warm up. The power indicator blinks during this operation.

COOL mode - To enjoy cool air

- Use curtains to screen off sunlight and outdoor heat to reduce power consumption during cool mode.

DRY mode - To dehumidify the environment

- Unit operates at low fan speed to give a gentle cooling operation.

4 TO SELECT FAN SPEED (3 OPTIONS)



- For AUTO, the indoor fan speed is automatically adjusted according to the operation mode.

5 TO ADJUST VERTICAL AIRFLOW DIRECTION (5 OPTIONS)

AIR SWING



- Keeps the room ventilated.
- In COOL/DRY mode, if AUTO is set, the louver swing up/down automatically.
- In HEAT mode, if AUTO is set, the louver fix at predetermined position.

6 Press and hold for 5 seconds to dim or restore the unit's indicator brightness.

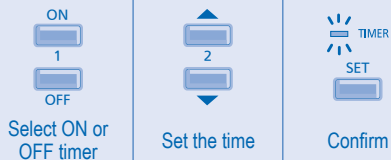
7 Press and hold for approximately 10 seconds to show temperature setting in °C or °F.

8 Press to restore the remote control's default setting.

9 Not used in normal operations.

TO SET THE TIMER

- To turn ON or OFF the unit at a preset time.



- To cancel ON or OFF timer, press or then press .
- When ON Timer is set, the unit may start earlier (up to 30 minutes) before the actual set time in order to achieve the desired temperature on time.
- Timer operation is based on the clock set in the remote control and repeats daily once set. For clock setting, please refer to Remote Control Preparation at back cover.
- If timer is cancelled manually or due to power failure, you can restore the previous setting (once power is resumed) by pressing .

INDOOR UNIT



CAUTION

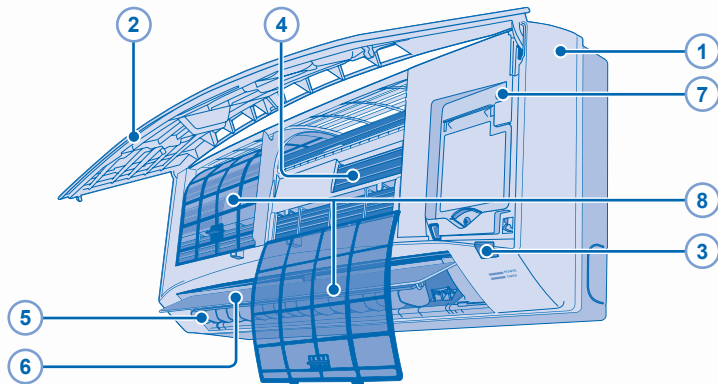
- Switch off the power supply and unplug before cleaning.
- Do not touch the aluminium fin, sharp parts may cause injury.

CLEANING INSTRUCTIONS

- Do not use benzene, thinner or scouring powder.
- Use only soap (≈ pH7) or neutral household detergent.
- Do not use water hotter than 40°C.

HINT

- To ensure optimal performance of the unit, cleaning maintenance has to be carried out at regular intervals. Please consult authorized dealer.



1 INDOOR UNIT

- Wipe the unit gently with a soft, dry cloth.

2 FRONT PANEL

Remove Front Panel

- Raise and pull to remove the front panel.
- Wash gently and dry.

Close Front Panel



- Press down both ends of the front panel to close it securely.

3 REMOTE CONTROL RECEIVER

4 ALUMINIUM FIN

5 HORIZONTAL AIRFLOW DIRECTION LOUVER

- Manually adjustable.



6 VERTICAL AIRFLOW DIRECTION LOUVER

- Do not adjust by hand.

7 AUTO OFF/ON BUTTON

- Use when remote control is misplaced or a malfunction occurs.

Action	Mode
Press once.	Auto
Press and hold until 1 beep is heard, then release.	Cooling
Press the button to turn off.	

8 AIR FILTERS

- Air filter cleaning is required every two weeks.
- Wash/rinse the filters gently with water to avoid damage to the filter surface.
- Dry the filters thoroughly under the shade, away from fire or direct sunlight.
- Replace any damaged filters.

TROUBLESHOOTING

The following symptoms do not indicate malfunction.

SYMPTOM	CAUSE
Mist emerges from indoor unit.	▶ • Condensation effect due to cooling process.
Water flowing sound during operation.	▶ • Refrigerant flow inside the unit.
The room has a peculiar odour.	▶ • This may be due to damp smell emitted by the wall, carpet, furniture or clothing. ▶ • This helps to remove the surrounding odours.
Indoor fan stops occasionally during automatic fan speed setting.	▶ • The delay is a protection to the unit's compressor.
Operation is delayed a few minutes after restart.	▶ • Condensation or evaporation occurs on pipes.
Outdoor unit emits water/steam.	▶ • The timer setting repeats daily once set.
Timer indicator is always on.	▶ • The unit is in defrost mode, and the melted frost is drained from the outdoor unit.
Power Indicator blinks during operation and the indoor fan is stopped.	▶ • To avoid unintended cooling effect.
Indoor fan stops occasionally during heating operation.	▶ • Changes of temperature cause the expansion/contraction of the unit.
Cracking sound during operation.	

Check the following before calling for servicing.

SYMPTOM	CHECK
Heating/Cooling operation is not working efficiently.	▶ • Set the temperature correctly. ▶ • Close all doors and windows. ▶ • Clean or replace the filters. ▶ • Clear any obstruction at the air inlet and air outlet vents.
Noisy during operation.	▶ • Check if the unit has been installed at an incline. ▶ • Close the front panel properly.
Remote control does not work. (Display is dim or transmission signal is weak.)	▶ • Insert the batteries correctly. ▶ • Replace weak batteries.
The unit does not work.	▶ • Check if the circuit breaker is tripped. ▶ • Check if timers have been set.
The unit does not receive the signal from the remote control.	▶ • Make sure the receiver not obstructed. ▶ • Certain fluorescent lights may interfere with signal transmitter. Please consult authorized dealer.

INFORMATION

FOR SEASONAL INSPECTION AFTER EXTENDED NON-USE

- Checking of remote control batteries.
- No obstruction at air inlet and air outlet vents.
- After 15 minutes of operation, it is normal to have the following temperature difference between air inlet and air outlet vents:

Cooling: $\geq 8^{\circ}\text{C}$

Heating: $\geq 14^{\circ}\text{C}$

FOR EXTENDED NON-USE

- Activate Heat mode for 2~3 hours as an alternative to remove moisture left in the internal parts thoroughly to prevent mould growth.
- Turn off the power supply and unplug.
- Remove the remote control batteries.

NON SERVICEABLE CRITERIAS

TURN OFF POWER SUPPLY AND UNPLUG then please consult authorized dealer under the following conditions:

- Abnormal noise during operation.
- Water/foreign particles have entered the remote control.
- Water leaks from Indoor unit.
- Circuit breaker switches off frequently.
- Power cord becomes unnaturally warm.
- Switches or buttons are not functioning properly.

Information for Users on Collection and Disposal of Old Equipment and used Batteries



[Information on Disposal in other Countries outside the European Union]

These symbols are only valid in the European Union. If you wish to discard these items, please contact your local authorities or dealer and ask for the correct method of disposal.



Note for the battery symbol (bottom two symbol examples):



Pb

This symbol might be used in combination with a chemical symbol. In this case it complies with the requirement set by the Directive for the chemical involved.

A series of horizontal dotted lines for writing, spanning most of the page width.

Declaration of Conformity
with the requirements of Technical Regulation on the Restriction Of the use of certain Hazardous
Substances in Electrical and Electronic Equipment
(adopted by Order №1057 of Cabinet of Ministers of Ukraine)

The Product is in conformity with the requirements of Technical Regulation on the Restriction Of the use of certain Hazardous Substances in electrical and electronic equipment (TR on RoHS).

The content of hazardous substance with the exemption of the applications listed in the Annex №2 of TR on RoHS:

1. Lead (Pb) – not over 0,1wt % or 1000wt ppm;
2. Cadmium (Cd) – not over 0,01wt % or 100wt ppm;
3. Mercury (Hg) – not over 0,1wt % or 1000wt ppm;
4. Hexavalent chromium (Cr⁶⁺) – not over 0,1wt % or 1000wt ppm;
5. Polybrominated biphenyls (PBBs) – not over 0,1wt % or 1000wt ppm;
6. Polybrominated diphenyl ethers (PBDEs) – not over 0,1wt % or 1000wt ppm.



Panasonic®

Инструкции по эксплуатации Кондиционер

Модель №.

Внутренний блок

CS-PW18MKD

CS-PW24MKD

Внешний блок

CU-PW18MKD

CU-PW24MKD



Название и адрес завода-изготовителя указаны на упаковке и на изделии.



© Panasonic HA Air-Conditioning (M) Sdn. Bhd. 2010.
Неразрешенное копирование и распространение
являются нарушением закона.

МЕРЫ ПРЕДОСТОРОЖНОСТИ

Во избежание получения травм, нанесения телесных повреждений другим лицам и ущерба имуществу следует соблюдать следующие инструкции. Неправильная эксплуатация вследствие несоблюдения инструкций нанесет вред или ущерб, степень серьезности которых классифицируется следующим образом:



ПРЕДУПРЕЖДЕНИЕ

Этот символ предупреждает о смертельной опасности или о риске получения серьезной травмы.



ПРЕДОСТЕРЕЖЕНИЕ

Этот символ предупреждает об опасности травмы или нанесения вреда имуществу.

Инструкции, которые следует выполнять, обозначаются следующими символами:



Этот символ обозначает действие как ЗАПРЕЩЕННОЕ.



Эти символы обозначают действия как ОБЯЗАТЕЛЬНЫЕ.



ПРЕДУПРЕЖДЕНИЕ

ВНУТРЕННИЙ И НАРУЖНЫЙ БЛОКИ



Данное устройство может использоваться лицами с ограниченными физическими, чувствительными или умственными способностями (включая детей) или лицами с отсутствием опыта или знания только при условии, что они находятся под надзором или получили от лица, ответственного за их безопасность, соответствующие инструкции по использованию изделия. Дети должны находиться под наблюдением. Необходимо следить за тем, чтобы они не играли с устройством.

Для чистки внутренних деталей, ремонта, установки, переноса и переустановки блока следует обращаться к официальному дилеру. Неправильная установка и обращение могут привести к утечке, поражению электрическим током или пожару.



Не устанавливайте блок в потенциально взрыво- или огнеопасной среде. Несоблюдение данного условия может привести к пожару.

Не вставляйте пальцы или другие предметы в наружный или внутренний блок кондиционера, поскольку вращающиеся части могут нанести травму.



Не прикасайтесь к наружному блоку кондиционера во время грозы, это может привести к поражению электрическим током.

Во избежание переохлаждения не подвергайте себя прямому воздействию холодного воздуха в течение длительного времени.

Не садитесь и не становитесь на устройство, вы можете упасть.



ДИСТАНЦИОННОЕ УПРАВЛЕНИЕ



Держите пульт ДУ вдали от грудных и маленьких детей, во избежание случайного проглатывания батарей.

ЭЛЕКТРОСНАБЖЕНИЕ



Во избежание перегрева и возникновения пожара не используйте модифицированный шнур, сращенный шнур, удлинитель или шнур, не соответствующий техническим условиям.



Для предотвращения перегрева, возникновения пожара или поражения электрическим током:

- Не используйте одну и ту же розетку питания с другим оборудованием.
- Не прикасайтесь к оборудованию мокрыми руками.
- Не изгибайте шнур электропитания.
- Не включайте и не выключайте питание кондиционера включением вилки в розетку или ее извлечением.



ПРЕДУПРЕЖДЕНИЕ

ЭЛЕКТРОСНАБЖЕНИЕ



Если кабель электропитания поврежден, во избежание опасности замену должен произвести изготовитель, представитель изготовителя по сервисному обслуживанию или аналогичный квалифицированный специалист.

Во избежание поражения электрическим током или возникновения пожара настоятельно рекомендуется установить на данное устройство автоматический выключатель с функцией защиты от утечки на землю (ELCB) или устройство контроля остаточного тока (RCD).

Для предотвращения перегрева, возникновения пожара или поражения электрическим током:

- Правильно вставляйте вилку в розетку.
- Пыль, скапливающаяся на штепселе шнура электропитания, необходимо периодически удалять с помощью влажной ткани.

При возникновении любых неисправностей/сбоев следует прекратить использовать изделие и вынуть штепсель шнура питания из розетки или выключить сетевой выключатель и прерыватель. (Риск задымления/возгорания/поражения электрическим током)

Примеры неисправностей/сбоев

- Частое выключение ELCB.
- Появился запах гари.
- Появился ненормальный шум или вибрация блока.
- Утечка воды из внутреннего блока.
- Шнур питания или штепсель становятся слишком горячими.
- Невозможно контролировать скорость вентилятора.
- Кондиционер сразу перестает функционировать даже при включении для работы.
- Вентилятор не останавливается даже при остановке работы.

Незамедлительно свяжитесь с местным дилером для обеспечения технического обслуживания/выполнения ремонтных работ.



Во избежание поражения электрическим током или возникновения пожара оборудование должно быть заземлено.



Поражение электрическим током можно предотвратить, если в следующих ситуациях вы будете отключать питание и извлекать штепсель из розетки питания:



- Перед чисткой или сервисным обслуживанием.
- В случае неиспользования в течение длительного времени.
- Во время слишком сильной грозовой активности.



ПРЕДОСТЕРЕЖЕНИЕ

ВНУТРЕННИЙ И НАРУЖНЫЙ БЛОКИ



Во избежание повреждения или образования на блоке коррозии не мойте внутренний блок водой, бензолом, растворителем и не чистите абразивной пастой.

Не используйте для хранения точного оборудования, продуктов, животных, растений, художественных произведений или других предметов. Это может привести к ухудшению качества и т.д.

Во избежание распространения огня не используйте каких-либо приборов открытого горения перед выходом воздушного потока.

Во избежание нанесения повреждений растениям или травм домашним животным не размещайте их непосредственно под воздушным потоком.

Не прикасайтесь к острым алюминиевым ребрам, острые части могут нанести травму.



Не включайте внутренний блок во время полирования пола. После полирования прежде, чем вновь включить блок, тщательно проветрите комнату.

Для предотвращения повреждения блока не устанавливайте его в замасленных и задымленных местах.

Во избежание травм не разбирайте блок для чистки.

Во избежание получения травм во время чистки блока не вставляйте на неустойчивую скамью.

Не размещайте на блоке вазу или емкость с водой. Вода может попасть в блок и повредить изоляцию. Это может стать причиной поражения электрическим током.

Не открывайте надолго окно или дверь во время работы кондиционера в режиме ОХЛАЖДЕНИЯ/ОСВЕЖЕНИЯ.



Для предотвращения утечек воды убедитесь, что дренажная трубка подсоединена правильно, следите за тем, чтобы на дренажном выпуске не было спускных трубок, контейнеров и чтобы он не был погружен в воду.

Регулярно проветривайте помещение после длительного использования кондиционера или после его использования вместе с любым топливным оборудованием.

Для предотвращения падения блока после длительной эксплуатации проверьте, не поврежден ли установочный кронштейн.

ДИСТАНЦИОННОЕ УПРАВЛЕНИЕ



Не используйте никель-кадмиевые (Ni-Cd) аккумуляторы.

Это может повредить пульт дистанционного управления.



Для предотвращения возникновения неисправности или повреждения пульта ДУ:

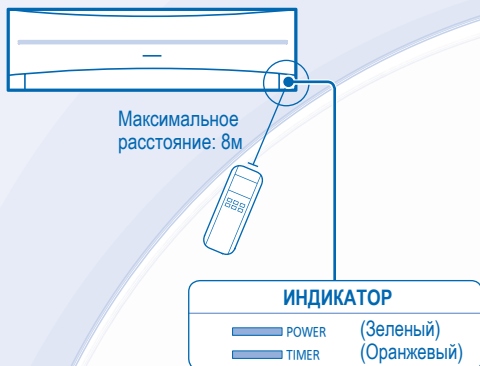
- Извлеките батареи, если кондиционер не будет эксплуатироваться в течение длительного времени.
- Новые батарейки того же типа следует устанавливать с соблюдением указанной полярности.

ЭЛЕКТРОСНАБЖЕНИЕ



Для предотвращения поражения электрическим током не тяните шнур, чтобы вытащить штепсель из розетки.

ДИСТАНЦИОННОЕ УПРАВЛЕНИЕ



Дисплей пульта дистанционного управления



Нажмите кнопку пульта дистанционного управления

1 ДЛЯ ВКЛЮЧЕНИЯ ИЛИ ВЫКЛЮЧЕНИЯ БЛОКА



- Пожалуйста, обращайте внимание на индикацию OFF (выключение), находящуюся на дисплее пульта дистанционного управления, чтобы предотвратить неправильный запуск/остановку устройства.

2 УСТАНОВКА ТЕМПЕРАТУРЫ

- Для режимов работы: нагрев, охлаждение и осушение, диапазон регулируемых температур составляет 16°C ~ 30°C.
- Использование аппарата в диапазоне рекомендованных температур может привести к экономии электроэнергии.
РЕЖИМ НАГРЕВА : 20°C ~ 24°C.
РЕЖИМ ОХЛАЖДЕНИЯ : 26°C ~ 28°C.
РЕЖИМ ОСУШЕНИЯ : 1°C ~ 2°C ниже комнатной температуры.

3 ВЫБОР РЕЖИМА РАБОТЫ

АВТОМАТИЧЕСКИЙ РЕЖИМ - Для вашего удобства

- Аппарат выбирает режим работы в зависимости от температуры воздуха в помещении.
- При выборе автоматического режима, аппарат будет работать при стандартных настройках температуры.

Комнатная температура	Режим работы	Стандартная настройка температуры
23°C и выше	Охлаждение	25°C
Ниже 23°C	Осушение	22°C
Ниже 20°C	Нагрев	21°C

- Нажмите для установки настройки "Высокий" на +2°C или для установки настройки "Низкий" на -2°C на стандартную температурную уставку.

РЕЖИМ НАГРЕВА - Для обогрева

- Блоку необходимо некоторое время, чтобы прогреться. Во время выполнения этой операции мигает индикатор питания.

РЕЖИМ ОХЛАЖДЕНИЯ - Для охлаждения

- Чтобы уменьшить потребление электроэнергии при работе в режиме охлаждения, используйте занавески для предотвращения воздействия солнечного света и внешнего тепла.

РЕЖИМ ОСУШЕНИЯ - Для уменьшения уровня влажности в помещении

- Блок работает при малой скорости вентилятора для слабого охлаждения.

4 ВЫБОР СКОРОСТИ ВЕНТИЛЯТОРА (3 ВАРИАНТОВ)



- Для автоматического режима (AUTO) скорость вентилятора внутреннего блока автоматически регулируется в соответствии с режимом.

5

РЕГУЛИРОВАНИЕ ВЕРТИКАЛЬНОГО НАПРАВЛЕНИЯ ПОТОКА ВОЗДУХА (5 ВАРИАНТОВ)

AIR SWING



- Обеспечивает проветривание помещений.
- Если установлен автоматический режим (AUTO), жалюзи поворачиваются вверх/вниз автоматически.
- При работе в режиме обогрева воздушный поток некоторое время распространяется горизонтально, а затем начинает направляться вниз.

6

Нажмите и удерживайте в течение 5 секунд, чтобы уменьшить или восстановить яркость индикатора блока.

7

Нажмите и удерживайте приблизительно в течение 10 секунд, чтобы отобразить настройку температуры в °C или °F.

8

Нажмите, чтобы восстановить стандартную настройку пульта дистанционного управления.

9

Не используется в нормальных функциях.

НАСТРОЙКА ТАЙМЕРА

- Для ВКЛЮЧЕНИЯ или ВЫКЛЮЧЕНИЯ блока в заранее заданное время.

 ON 1 OFF	 2 	 TIMER SET
Выберите "ON" или "OFF" таймера (тип таймера)	Установите время	Подтвердите

- Для отмены таймера "ON" или "OFF" нажмите или затем нажмите .
- При установке таймера ВКЛЮЧЕНИЯ, аппарат может начать работу раньше установленного времени (до 30 минут) для достижения необходимой температуры.
- Функция таймера включается по часам, установленным на пульте дистанционного управления, и ежедневно повторяет заданную программу. Для установки часов, пожалуйста, ознакомьтесь с главой «Подготовкой пульта дистанционного управления к работе» на задней обложке.
- Если работа таймера отменена вручную или вследствие отказа питания, можно восстановить предыдущую настройку (после восстановления подачи питания), нажав кнопку .

ВНУТРЕННИЙ БЛОК



ПРЕДОСТЕРЕЖЕНИЕ

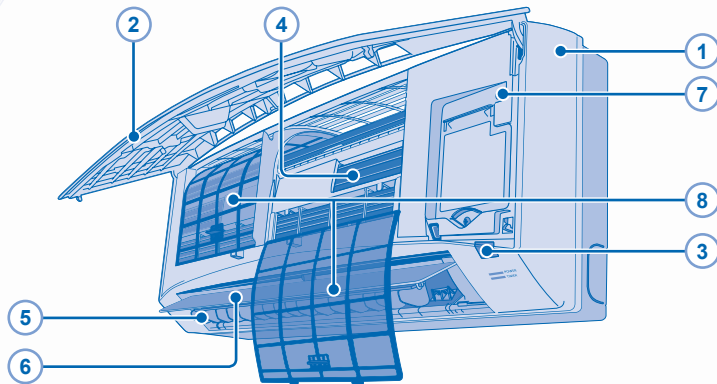
- Перед чисткой выключите электропитание и извлеките штепсель из розетки.
- Не прикасайтесь к алюминиевому ребру, острая часть может причинить повреждения.

ИНСТРУКЦИИ ПО ЧИСТКЕ

- Не используйте бензол, разбавитель или чистящий порошок.
- Используйте исключительно мыло (\approx pH7) или химически нейтральное бытовое моющее средство.
- Не используйте воду с температурой выше 40°C.

СОВЕТ

- Для поддержания оптимальных рабочих характеристик устройства необходимо обеспечить регулярное проведение технического обслуживания и чистки. Обратитесь, пожалуйста, к официальному дилеру.



1 ВНУТРЕННИЙ БЛОК

- Аккуратно протирайте кондиционер мягкой сухой тканью.

2 ПЕРЕДНЯЯ ПАНЕЛЬ

Снимите переднюю панель

- Поднимите и потяните, чтобы снять переднюю панель.
- Осторожно промойте и высушите.

Закройте переднюю панель



- Прижмите оба конца передней панели, чтобы прочно закрыть ее.

3 РЕСИВЕР ПУЛЬТА ДИСТАНЦИОННОГО УПРАВЛЕНИЯ

4 АЛЮМИНИЕВОЕ РЕБРО

5 ГОРИЗОНТАЛЬНЫЕ ЖАЛЮЗИ НАПРАВЛЕНИЯ ПОТОКА

- Регулируется вручную.



6 ВЕРТИКАЛЬНЫЕ ЖАЛЮЗИ НАПРАВЛЕНИЯ ПОТОКА

- Не поворачивайте її вручну.

7 КНОПКА ВЫКЛ./ВКЛ. АВТОМАТИЧЕСКОГО РЕЖИМА

- Используется, когда пульт дистанционного управления не соответствует или работает неисправно.

Действие	Режим
Нажмите один раз.	Автоматический
Нажмите и удерживайте, пока не послышится одиночный звуковой сигнал, а потом отпустите.	Охлаждение
Нажмите кнопку, чтобы отключить.	

8 ВОЗДУШНЫЙ ФИЛЬТР

- Воздушные фильтры рекомендуется чистить раз в 2 месяца.
- Осторожно промойте/прополаскайте фильтры водой во избежание повреждения их поверхности.
- Тщательно просушите фильтры в затененном месте вне досягаемости воздействия огня или прямых солнечных лучей.
- Все поврежденные фильтры заменяйте.

УСТРАНЕНИЕ НЕИСПРАВНОСТЕЙ

Следующие признаки не означают наличие неисправности:

ПРИЗНАК	ПРИЧИНА
Из внутреннего блока выделяется туман.	▶ • Эффект конденсации, вызванный процессом охлаждения.
Во время работы слышен звук льющейся воды.	▶ • Поток хладагента внутри блока.
В помещении специфический запах.	▶ • Это может быть вызвано запахом сырости от стен, ковра, мебели или одежды.
При установке скорости вращения вентилятора в автоматический режим вентилятор внутреннего блока время от времени останавливается.	▶ • Это помогает устранять запахи в окружающей среде.
После повторного пуска начало работы задерживается на несколько минут.	▶ • Задержка предназначена для защиты компрессора блока.
Из наружного блока выделяется вода/пар.	▶ • На трубах происходит конденсация или испарение.
Индикатор таймера всегда включен.	▶ • При установленном таймере кондиционер будет ежедневно повторять заданную программу.
Во время работы индикатор питания мигает, и вентилятор внутреннего блока остановится.	▶ • Аппарат работает в режиме разморозки и растаявший иней стекает из наружной части аппарата.
В режиме обогрева вентилятор внутреннего блока время от времени останавливается.	▶ • Чтобы избежать непреднамеренного охлаждающего воздействия.
Потрескивающий звук во время работы.	▶ • Изменения температуры являются причиной расширения/сжатия блока.

Перед обращением в сервисный центр проверьте следующее:

ПРИЗНАК	ПРОВЕРЬТЕ
Аппарат в режимах нагрева/охлаждения работает неэффективно.	▶ • Правильно установите температуру. ▶ • Закройте все двери и окна. ▶ • Произведите очистку или замену фильтров. ▶ • Удалите все инородные тела из входного или выходного вентиляционных отверстий.
Шум во время эксплуатации.	▶ • Проверьте, не установлен ли аппарат под наклоном? ▶ • Правильно закройте переднюю панель.
ДУ не работает. (Темный дисплей или слабый сигнал передачи.)	▶ • Правильно установите батареи. ▶ • Замените разряженные батареи.
Кондиционер не работает.	▶ • Проверьте, не разомкнуты ли контакты автоматического выключателя? ▶ • Проверьте, не установлено ли время таймера?
Аппарат не принимает сигнал от пульта дистанционного управления.	▶ • Убедитесь, что перед приемником отсутствуют препятствия. ▶ • Некоторые люминесцентные излучения могут создавать помехи передатчику сигнала. Пожалуйста, проконсультируйтесь у авторизованного дилера.

ПЕРИОДИЧЕСКАЯ (СЕЗОННАЯ) ПРОВЕРКА ПРИ ДЛИТЕЛЬНОМ ПЕРИОДЕ БЕЗ ЭКСПЛУАТАЦИИ

- Проверка батареек из пульта дистанционного управления.
- Убедитесь в отсутствии инородных тел, блокирующих воздухозаборное и воздуховыпускное отверстия.
- После 15 минут работы следующая разница температур между воздухозаборным и воздуховыпускным отверстиями считается нормальной:
При охлаждении: $\geq 8^{\circ}\text{C}$ При обогреве: $\geq 14^{\circ}\text{C}$

ПРИ ДЛИТЕЛЬНОМ ПЕРИОДЕ БЕЗ ЭКСПЛУАТАЦИИ

- В качестве альтернативы для полного удаления влаги, оставшейся во внутренних частях, и для предотвращения возникновения плесени включите на 2–3 часа режим Обогрев.
- Выключите электропитание и извлеките штепсель из розетки.
- Извлеките батарейки из пульта дистанционного управления.

КРИТЕРИИ НЕРАБОТОСПОСОБНОСТИ

ВЫКЛЮЧИТЕ ЭЛЕКТРОПИТАНИЕ И ОТСОЕДИНИТЕ УСТРОЙСТВО ОТ СЕТИ, а затем проконсультируйтесь у авторизованного дилера в следующих случаях:

- Ненормальный шум во время работы.
- Попадание воды/посторонних частиц в пульт дистанционного управления.
- Течь воды из внутреннего блока.
- Автоматический выключатель часто срабатывает.
- Штепсельная вилка/сетевой шнур сильно нагревается.
- Неправильно функционируют кнопки или переключатели.

Информация для потребителей по сбору и утилизации старого оборудования и использованных батареек



[Информация по утилизации в других странах за пределами Европейского Союза]

Данные символы действительны только в Европейском Союзе. Если Вы хотите избавиться от данных изделий, обратитесь в органы местного самоуправления или к дилеру и узнайте правильный метод утилизации.



Pb

Примечание относительно символа батарейки (два нижних символа):

Данный символ должен использоваться в комбинации с химическим символом. В данном случае он соответствует требованиям, установленным Директивой о химикатах, используемых в изделиях.

ЖИЗНЬ (ЭКСПЛУАТАЦИЯ В ТЕЧЕНИЕ НЕСКОЛЬКИХ ЛЕТ)

«Установленный производителем в порядке п.2 ст.5 Федерального Закона РФ «О защите прав потребителей» срок службы для данного изделия равен 7 годам с даты производства при условии, что изделие используется в строгом соответствии с настоящей инструкцией по эксплуатации и применимыми техническими стандартами»
Состояние изделия Условия производства и сключают модификацию и повреждения при транспортировке
Природные стихийные действия На данное изделие не распространяется гарантия при повреждении от природных бедствий (Например - в результате наводнения)

Blank lined writing area with horizontal dotted lines.

Декларация о Соответствии
Требованиям Технического Регламента об Ограничении Использования некоторых Вредных
Веществ в электрическом и электронном оборудовании
(утверждённого Постановлением №1057 Кабинета Министров Украины)

Изделие соответствует требованиям Технического Регламента об Ограничении Использования некоторых Вредных Веществ в электрическом и электронном оборудовании (ТР ОИВВ)..

Содержание вредных веществ в случаях, не предусмотренных Дополнением №2 ТР ОИВВ:

1. свинец (Pb) – не превышает 0,1wt % веса вещества или в концентрации до 1000 миллионных частей;
2. кадмий (Cd) – не превышает 0,01wt % веса вещества или в концентрации до 100 миллионных частей;
3. ртуть (Hg) – не превышает 0,1wt % веса вещества или в концентрации до 1000 миллионных частей;
4. шестивалентный хром (Cr⁶⁺) – не превышает 0,1wt % веса вещества или в концентрации до 1000 миллионных частей;
5. полибромбифенолы (PBB) – не превышает 0,1wt % веса вещества или в концентрации до 1000 миллионных частей;
6. полибромдифеноловые эфиры (PBDE) – не превышает 0,1wt % веса вещества или в концентрации до 1000 миллионных частей.



Panasonic®

Інструкція з експлуатації Кондиціонер

Модель №.

Внутрішній блок

CS-PW18MKD

CS-PW24MKD

Зовнішній блок

CU-PW18MKD

CU-PW24MKD



Назва та адреса виробника вказані на упаковці та на виробі.



© Panasonic HA Air-Conditioning (M) Sdn. Bhd. 2010.
Копіювання та розповсюдження без дозволу є
порушенням закону.

ТЕХНІКА БЕЗПЕКИ

Щоб запобігти травмуванню себе та інших чи пошкодженню майна, дотримуйтесь поданих далі вказівок.
Неправильна експлуатація через порушення цих інструкцій може призвести до травмування чи пошкодження майна. Серйозність негативних наслідків позначається таким чином:



УВАГА

Цей символ означає небезпеку загибелі чи отримання значної травми.



ОБЕРЕЖНО

Цей символ означає небезпеку травмування чи пошкодження майна.

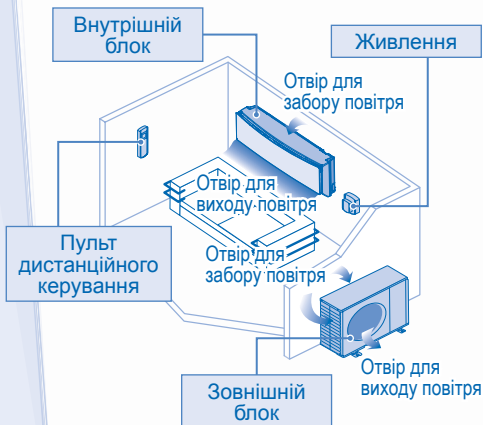
Інструкції позначаються такими символами:



Цей символ позначає дії, які вчиняти **ЗАБОРОНЕНО**.



Ці символи позначають дії, які є **ОБОВ'ЯЗКОВИМИ**.



УВАГА

ВНУТРІШНІЙ БЛОК І ЗОВНІШНІЙ БЛОК



Цей виріб не призначений для користування особами (включаючи дітей) з обмеженими фізичними, сенсорними чи розумовими можливостями або особами, які відчувають брак досвіду чи знань. Користування виробом такими особами дозволене лише у разі нагляду чи попереднього інструктування особою, яка відповідає за їхню безпеку. Наглядайте за дітьми, щоб вони не бавились виробом.

З питань очищення внутрішніх частин, ремонту, встановлення, зняття чи перевстановлення пристрою звертайтеся до авторизованого дилера чи спеціаліста. Неналежне встановлення та поводження призведе до виткання, ураження електричним струмом чи пожежі.



Не встановлюйте пристрій у місці, де може статися вибух чи займання. Недотримання цієї вимоги може призвести до пожежі.

Не вставляйте пальці чи інші предмети у внутрішній чи зовнішній блок кондиціонера, оскільки частини, які повертаються, можуть призвести до травмування.



Не торкайтеся зовнішнього блоку під час грози, оскільки можливе ураження електричним струмом.

Не допускайте прямого тривалого впливу на себе холодного повітря для запобігання надмірного охолодження.

Не сідайте та не ставьте на пристрій, бо можете впасти.



ПУЛЬТ ДИСТАНЦІЙНОГО КЕРУВАННЯ



Не дозволяйте немовлятам та дітям гратися з пультом дистанційного керування, щоб уникнути випадкового ковтання батарейок.

ЖИВЛЕННЯ



Щоб запобігти перегріванню і пожежі, не використовуйте вивіданий шнур, з'єднаний шнур, подовжувач чи не вказаний шнур.



Для запобігання перегріву, пожежі чи ураження електричним струмом:

- Не вмикайте в одну розетку з іншими електроприладами.
- Не торкайтеся блоку під час роботи вогними руками.
- Не перегинайте шнур електроживлення.
- Не запускайте і не зупиняйте блок шляхом вмикання в розетку та вимикання з розетки.

**УВАГА****ЖИВЛЕННЯ**

Щоб уникнути небезпеки травмування в разі пошкодження шнура живлення, його заміну повинні здійснювати працівники виробника, його сервісні представники чи фахівці, що мають аналогічну кваліфікацію.

Для запобігання ураженню електричним струмом чи пожежі настійливо рекомендуємо встановити переривач струмів витoku в землю чи захисний пристрій контролю за залишковим струмом.

Для запобігання перегріву, пожежі чи ураження електричним струмом:

- Правильно вставляйте вилку в розетку електромережі.
- Пил з вилки живлення необхідно час від часу протирати за допомогою сухої ганчірки.

Припиніть використовувати пристрій при появі будь-якої ознаки нештатної роботи/несправності і вийміть штепсельну вилку або вимкніть перемикач увімкнення/вимкнення і перемикач електроживлення (ризик появи диму / виникнення пожежі / ураження електричним струмом)

Приклади нештатної роботи / несправності

- Часто спрацьовує перемикач захисту від витіку на землю.
- З'явився запах диму.
- З'явився нетиповий шум або вібрація пристрою.
- Із внутрішнього блока витікає вода.
- Вилка або кабелі електроживлення є теплішими, ніж звичайно.
- Неможливо регулювати швидкість вентилятора.
- Пристрій негайно припиняє роботу, навіть якщо він увімкнений в робочий режим.
- Вентилятор не зупиняється, навіть коли робочий режим вимкнений.

Негайно зв'яжіться з місцевим дилером для проведення технічного обслуговування/ремонту.



Щоб запобігти ураженню електричним струмом чи пожежі, це обладнання слід заземлити.



Запобігайте ураженню електричним струмом, вимикаючи пристрій та вилку живлення з розетки у наведених далі випадках:



- Перед чищенням чи обслуговуванням.
- У разі тривалого невикористання.
- У разі сильної грози з блискавкою.

**ОБЕРЕЖНО****ВНУТРІШНІЙ БЛОК І ЗОВНІШНІЙ БЛОК**

Не мийте внутрішній блок водою, бензином, розчинником чи абразивною пастою для запобігання несправностей чи корозії пристрою.

Не використовуйте для збереження вимірювальних приладів, продуктів харчування, тварин, рослин, витворів мистецтва чи інших об'єктів. Це може призвести до їх псування, та ін.

Щоб запобігти розповсюдженню вогню, не використовуйте займисте обладнання перед отвором для виходу повітря.

Не розміщуйте рослини чи тварин близько до потоку повітря, щоб не зашкодити їм та ін.

Не доторкайтесь до гострих алюмінієвих ребер, гострі частини можуть завдати травму.



Не вмикайте внутрішній блок, коли натираєте підлогу. Перш ніж вмикати пристрій, добре провітрити приміщення.

Не встановлюйте блок у маслянистих і задимлених місцях для запобігання пошкодження пристрою.

Щоб запобігати травмування, не розбирайте блок для очищення.

Щоб запобігати травмування, не ставьте на нестійкі опори при очищенні блоку.

Не ставте вази чи емності з водою на блок. Вода може потрапити до блоку та пошкодити ізоляцію. Це може призвести до ураження електричним струмом.

Не відчиняйте вікно або двері на тривалий період часу під час роботи пристрою в режимі **ОХОЛОДЖЕННЯ/СУШКИ**.



Щоб запобігти протіканню води, переконайтеся, що дренажний трубопровід під'єднаний належним чином, тримайте дренажний отвір далі від водостічних жолобів, емностей та не занурюйте його у воду.

Регулярно провітрюйте приміщення після тривалого використання чи використання з будь-яким легкозаймистим устаткуванням.

Щоб запобігти падінню пристрою, після тривалого використання упевніться, що монтажна рама не вишляд з ладу.

ПУЛЬТ ДИСТАНЦІЙНОГО КЕРУВАННЯ

Не використовуйте акумулятори (Ni-Cd). Так можна пошкодити пульт дистанційного управління.



Для запобігання несправностей чи пошкодження пульта дистанційного керування:

- Якщо кондиціонер не використовувався протягом тривалого часу, вийміть батарейки.
- Необхідно вставити нові батарейки того ж типу відповідно до їх полюсів.

ЖИВЛЕННЯ

Не тягніть за шнур, щоб витягти вилку з розетки, для запобігання удару електричним струмом.

ПУЛЬТ ДИСТАНЦІЙНОГО КЕРУВАННЯ



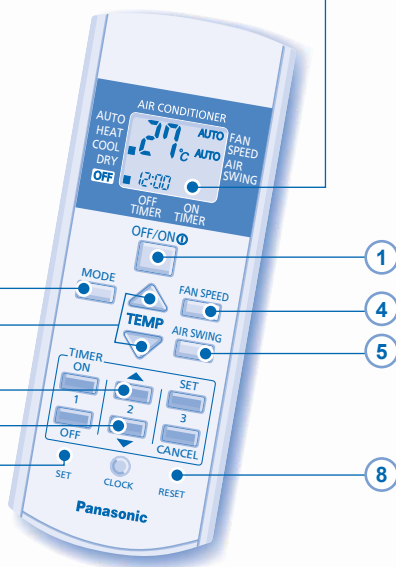
Максимальна відстань: 8м



ІНДИКАТОР

- POWER (Зелений)
- TIMER (Оранжевий)

Дисплей пульта дистанційного управління



Натисніть кнопку на пульті дистанційного управління

1 ДЛЯ УВІМКНЕННЯ АБО ВИМКНЕННЯ КОНДИЦІОНЕРА



- Будь-ласка, пам'ятайте про індикатор «OFF» на дисплеї пульта дистанційного керування та не допускайте неправильного увімкнення/вимкнення агрегата.

2 ДЛЯ ВСТАНОВЛЕННЯ ТЕМПЕРАТУРИ

- Для режимів обігріву, охолодження та м'якого осушення допускається вибір температури у діапазоні 16°C ~ 30°C.
- Можна зекономити електроенергію, додержуючись при експлуатації кондиціонера рекомендованого температурного діапазону.
РЕЖИМ ОБІГРІВУ (HEAT) : 20°C ~ 24°C.
РЕЖИМ ОХОЛОДЖЕННЯ (COOL) : 26°C ~ 28°C.
РЕЖИМ М'ЯКОГО ОСУШЕННЯ (MODE) : на 1°C ~ 2°C нижче, ніж температура у приміщенні.

3 ДЛЯ ВИБОРУ РЕЖИМУ РОБОТИ

АВТОМАТИЧНИЙ РЕЖИМ – Для вашої зручності

- Агрегат автоматично вибирає режим роботи залежно від температури у приміщенні.
- Для вибраного автоматичного режиму встановлюється стандартна температура.

Температура у приміщенні	Режим роботи	Стандартна встановлена температура
23°C і вище	Охолодження	25°C
Нижче 23°C	М'яке осушення	22°C
Нижче 20°C	Обігрів	21°C

- Натисніть кнопку для збільшення температури "HI" на +2°C або кнопку для зменшення температури "LO" на -2°C від стандартного налаштування температури.

РЕЖИМ ОБІГРІВУ (HEAT) - Для одержання теплого повітря

- Блоку потрібен певний час для розігрівання. Під час цієї операції блимає індикатор живлення.

РЕЖИМ ОХОЛОДЖЕННЯ (COOL) – Для одержання прохолодного повітря

- Щоб знизити рівень енергоспоживання у режимі охолодження, закривайте приміщення шторами від сонячного проміння та теплового повітря ззовні.

РЕЖИМ М'ЯКОГО ОСУШЕННЯ (MODE) - Для осушення повітря у приміщенні

- Для легкого охолодження вентилятор агрегата обертається на низькій швидкості.

4 ВИБРАТИ ШВИДКІСТЬ ОБЕРТАННЯ ВЕНТИЛЯТОРА (3 ВАРІАНТІВ ВИБОРУ)

FAN SPEED 

- AUTO (Автоматичний режим): швидкість обертання вентилятора внутрішнього блока регулюється автоматично залежно від режиму роботи.

5 ВІДРЕГУЛЮВАТИ НАПРЯМОК ПОТОКУ ПОВІТРЯ ПО ВЕРТИКАЛІ (5 ВАРІАНТІВ ВИБОРУ)

AIR SWING 

- Для вентиляції приміщення.
- У режимі AUTO заслінки коливаються вгору-вниз автоматично.
- У режимі обігріву, повітря деякий час подається горизонтально, після чого починає подаватися вниз.

6 Натисніть цю кнопку та утримуйте її протягом 5 секунд, щоб знизити або підвищити яскравість індикатора агрегата.

7 Щоб відобразити температуру в одиницях °C або °F, натисніть цю кнопку та утримуйте її приблизно 10 секунд.

8 Натисніть цю кнопку, щоб повернутися до заводських налаштувань пульта дистанційного керування.

9 Для звичайних режимів роботи не використовується.

УСТАНОВИТИ ТАЙМЕР

- Щоб увімкнути (ON) або вимкнути (OFF) агрегат у заданий час.

ON



1



OFF

Оберіть таймер увімкнення "ON" або вимкнення "OFF"

2



2



Установіть час







TIMER



SET

Підтвердьте

- Для скасування таймера "ON" або таймера "OFF" натисніть спочатку кнопку  або  а потім – кнопку .
- Коли встановлено таймер увімкнення (ON), кондиціонер може почати роботу раніше (до 30 хвилин), ніж фактично встановлений час, щоб досягти потрібної температури.
- Функція таймера залежить від годинника, налаштованого у пульті дистанційного управління, і повторяється щодня після її налаштування. Щоб настроїти годинник, ознайомтеся з розділом "Підготовка пульта дистанційного управління" на задній обкладинці.
- У разі скасування налаштувань таймера вручну або внаслідок відключення електроенергії, після відновлення енергопостачання попередні налаштування можна відновити, натиснувши .

Інформаційний центр Panasonic

Міжнародні дзвінки та дзвінки з Києва : +380-44-490-38-98

Безкоштовні дзвінки зі стаціонарних телефонів в межах України : 0-800-309-880

ВНУТРІШНІЙ БЛОК



ОБЕРЕЖНО

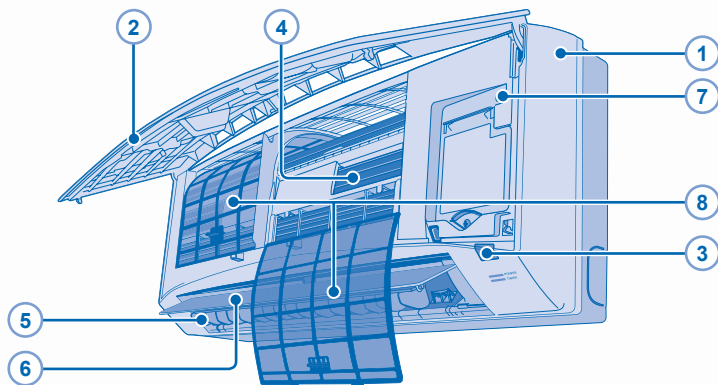
- **Перед проведенням очистки вимкніть електроживлення і відімкніть вилку з розетки.**
- **Не торкайтеся алюмінієвої пластини, гостра частина може призвести до травмування.**

ІНСТРУКЦІЯ ПО ОЧИЩЕННЮ

- Не використовуйте бензол, розчинники та порошки для чищення.
- Користуйтеся тільки милом (\approx рН7) або нейтральними побутовими мийними засобами.
- Температура води не повинна перевищувати 40°C.

ПІДКАЗКА

- Для забезпечення оптимальних робочих характеристик блока процедура очищення повинна проводитися регулярно. Будь ласка, проконсультуйтеся у авторизованого дилера.



1 ВНУТРІШНІЙ БЛОК

- Легко протирайте блок м'якою сухою тканиною.

2 ПЕРЕДНЯ ПАНЕЛЬ

Зніміть передню панель

- Підніміть і потягніть передню панель, щоб зняти.
- Обережно помийте і висушіть.

Закрийте передню панель



- Натисніть обидва краї передньої панелі, щоб надійно її зафіксувати.

3 ПРИЙМАЧ ДИСТАНЦІЙНОГО КЕРУВАННЯ

4 АЛЮМІНІЄВА ПЛАСТИНА

5 ГОРИЗОНТАЛЬНА ЗАСЛІНКА РЕГУЛЮВАННЯ НАПРЯМКУ ПОТОКУ ПОВІТРЯ

- Регулюється вручну.



6 ВЕРТИКАЛЬНА ЗАСЛІНКА РЕГУЛЮВАННЯ НАПРЯМКУ ПОТОКУ ПОВІТРЯ

- Не повертайте її вручну.

7 КНОПКА АВТО УВІМК/ВИМК

- Використовується, коли пульт дистанційного керування загубився або несправний.

Дія	Режим роботи
Натиснути один раз.	Автоматичний режим
Натискати до появи 1 звукового сигналу, потім відпустити.	Охолодження
Натисніть цю кнопку, щоб вимкнути агрегат.	

8 ПОВІТРЯНИЙ ФІЛЬТР

- Рекомендується чистити повітряні фільтри через кожні 2 тижні.
- Легко промийте/сполосніть фільтри водою, не допускаючи пошкодження поверхні фільтра.
- Повністю осушіть фільтри у тіні, не допускаючи потрапляння під дію полум'я або прямого сонячного світла.
- Пошкоджений фільтр необхідно замінити на новий.

УСУНЕННЯ НЕСПРАВНОСТЕЙ

Наведені далі симптоми не свідчать про несправність.

СИМПТОМ	ПРИЧИНА
Із внутрішнього блока виходить туман.	▶ Конденсація внаслідок роботи в режимі охолодження.
Робота супроводжується звуком, що нагадує шум води.	▶ Поток холодоагенту в системі.
У приміщенні відчувається специфічний запах.	▶ Причиною цього може бути запах вогкості, джерелом якого можуть бути стіни, килими, меблі або одяг, що знаходяться у приміщенні.
У режимі автоматичного регулювання швидкості обертання вентилятор внутрішнього блока час від часу зупиняється.	▶ Це допомагає усунути запах під час роботи кондиціонера.
Кондиціонер не починає роботу протягом кількох хвилин після перезапуску.	▶ Це запобігає пошкодженню компресора агрегата.
Із зовнішнього блока виходить вода/пара.	▶ На поверхні труб відбувається конденсація або випаровування.
Індикатор таймера постійно горить.	▶ Таймер спрацьовує щоденно з одними і тими самими налаштуваннями.
У режимі роботи індикатор ввімкнення блимає, а вентилятор внутрішнього блока не працює.	▶ Блок знаходиться у режимі розмороження, і тала вода зливається через зовнішній блок.
У режимі обігріву вентилятор внутрішнього блока час від часу зупиняється.	▶ Це допомагає уникнути небажаного охолодження.
Звук тріскотіння під час роботи.	▶ Зі зміною температури відбувається розширення або звуження агрегата.

Перед тим, як звертатися до фахівця, перевірте таке.

СИМПТОМ	ПЕРЕВІРКА
Функція обігріву/охолодження не працює належним чином.	▶ Установіть відповідну температуру. ▶ Закрийте всі двері та вікна. ▶ Очистіть або замініть фільтри. ▶ Заберіть перешкоди поблизу отворів для входу і виходу повітря.
Шум під час роботи.	▶ Перевірте чи кондиціонер не змонтовано на нерівній поверхні. ▶ Правильно закрийте передню панель.
Не працює пульт дистанційного управління. (Дисплей матовий або сигнал передачі слабкий.)	▶ Правильно установіть батареї. ▶ Замініть старі батареї.
Блок не працює.	▶ Перевірте чи не спрацював автоматичний вимикач. ▶ Перевірте чи не встановлено таймери.
Агрегат не реагує на сигнал з пульта дистанційного керування.	▶ Переконайтеся, що перед приймачем немає перешкод. ▶ Деякі люмінесцентні лампи можуть створювати перешкоди передавачу сигналу. Будь ласка, проконсультуйтеся у авторизованого дилера.

ДЛЯ ОГЛЯДУ ПЕРЕД ПОЧАТКОМ СЕЗОНУ ПІСЛЯ ТРИВАЛОГО ПЕРІОДУ БЕЗ ЕКСПЛУАТАЦІЇ

- Перевірте чи не час міняти батарейки пульта дистанційного управління.
- Перевірте чи ніщо не перекриває який-небудь із отворів для входу й виходу повітря.
- Якщо кондиціонер працює нормально, через 15 хвилин після початку роботи різниця температур повітря на вході та виході повітря внутрішнього блока повинна становити:
Охолодження: $\geq 8^{\circ}\text{C}$ Обігрів: $\geq 14^{\circ}\text{C}$

ВИВЕДЕННЯ З ЕКСПЛУАТАЦІЇ НА ТРИВАЛИЙ ПЕРІОД

- Увімкніть режим обігріву на 2-3 години як альтернативу для усунення вологи, що залишилась у внутрішніх частинах, з метою запобігання утворенню цвілі.
- Вимкніть електроживлення і відімкніть вилку з розетки.
- Вийміть батарейки з пульта дистанційного управління.

ВИПАДКИ, ЩО ПОТРЕБУЮТЬ КВАЛІФІКОВАНОГО РЕМОНТУ

ВИМКНІТЬ ЖИВЛЕННЯ ТА ВІД'ЄДНАЙТЕ ПРИСТРІЙ ВІД МЕРЕЖІ, а потім проконсультуйтеся у авторизованого дилера в наступних випадках:

- Незвичайний шум під час роботи.
- Усередину пульта дистанційного управління потрапила вода або сторонні частки.
- Із внутрішнього блока витікає вода.
- Часто спрацьовує автоматичний вимикач.
- Шнур живлення є теплішим, ніж звичайно.
- Невірно функціонують кнопки та перемикачі.

Інформація для користувачів щодо збору та утилізації старого обладнання і використаних батарей



[Інформація щодо утилізації в інших країнах за межами ЄС]

Ці символи дійсні лише в ЄС. Щоб дізнатися як правильно утилізувати такі вироби, звертайтеся до місцевих органів влади або торгового представника.



Pb

Примітка щодо символу батарей (подвійний символ внизу для прикладу):

Цей символ може використовуватись у поєднанні зі символом хімічного продукту. У такому разі вибір відповідає вимогам Директив щодо використання хімічних продуктів.

ІНФОРМАЦІЯ ЩОДО ТЕРМІНУ СЛУЖБИ (ПРИДАТНОСТІ)

Встановлений виробником термін служби (придатності) цього виробу дорівнює 7 рокам з дати виготовлення за умови, що виріб використовується у суворій відповідності до дійсної інструкції з експлуатації та технічних стандартів, що застосовуються до цього виробу.

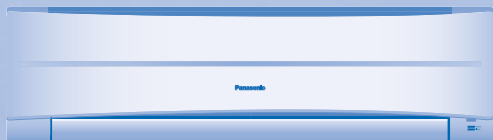
Area with horizontal dotted lines for text entry.

Декларація про Відповідність
Вимогам Технічного Регламенту Обмеження Використання деяких небезпечних речовин в
електричному та електронному обладнанні
(затвердженого Постановою №1057 Кабінету Міністрів України)

Виріб відповідає вимогам Технічного Регламенту Обмеження Використання деяких небезпечних речовин в електричному та електронному обладнанні (ТР ОВНР).

Вміст небезпечних речовин у випадках, не обумовлених в Додатку №2 ТР ОВНР, :

1. свинець(Pb) – не перевищує 0,1wt % ваги речовини або в концентрації до 1000 частин на мільйон;
2. кадмій (Cd) – не перевищує 0,01wt % ваги речовини або в концентрації до 100 частин на мільйон;
3. ртуть(Hg) – не перевищує 0,1wt % ваги речовини або в концентрації до 1000 частин на мільйон;
4. шестивалентний хром (Cr⁶⁺) – не перевищує 0,1wt % ваги речовини або в концентрації до 1000 частин на мільйон;
5. полібромбіфеноли (PBВВ) – не перевищує 0,1% ваги речовини або в концентрації до 1000 частин на мільйон;
6. полібромдефенілові ефіри (PBDE) – не перевищує 0,1wt % ваги речовини або в концентрації до 1000 частин на мільйон.



Panasonic®

Пайдалану нұсқаулары Кондиционер

Үлгі №.

Ішкі блок

CS-PW18MKD

CS-PW24MKD

Сыртқы блок

CU-PW18MKD

CU-PW24MKD



Панасоник Эйч Эй Аир-Кондишенинг (М) Сдн. Бхд.
Лот 2, Персиаран Тенгку Ампуан, Секшн 21,
Шах Алам Индастриал Сайт,
40300 Шах Алам Селангор Дарул Ехсан, Малайзия

© Panasonic NA Air-Conditioning (M) Sdn. Bhd. 2010.
Рұқсатсыз кешіру және тарату заң бұзушылық
болып табылады.

САҚТЫҚ ШАРАЛАРЫ

Жеке басыңыздың, басқалардың жарақатын немесе мүліктің зақымдалуын болдырмау үшін мына талаптарды орындаңыз. Төмендегі нұсқаулардың орындалмағанына байланысты дұрыс пайдаланбау салдарынан төменде жіктелген жарақат немесе зақым пайда болуы мүмкін:



АЛДЫН-АЛА ЕСКЕРТУ

Бұл белгі өлім немесе ауыр жарақат қаупін ескертеді.



НАЗАР АУДАРЫҢЫЗ

Бұл белгі мүліктің бүліну немесе зақымдалу қаупін ескертеді.

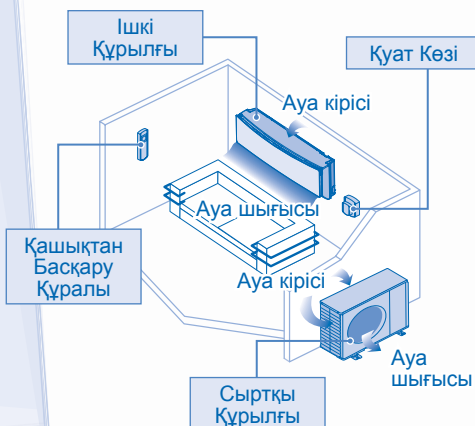
Орындалу керек нұсқаулар мына нышандармен жіктеледі:



Бұл нышан **ТҮЙІМ САЛЫНҒАН** әрекетті білдіреді.



Бұл нышандар **МІНДЕТТІ** әрекеттерді білдіреді.



АЛДЫН-АЛА ЕСКЕРТУ

ІШКІ ҚҰРЫЛҒЫ ЖӘНЕ СЫРТҚЫ ҚҰРЫЛҒЫ



Қауіпсіздік үшін жауапты тұлға құрылғыны пайдалануға қатысты басшылық немесе нұсқау бермесе, бұл құрылғы тән, сезім немесе ойлау мүмкіндіктері шектеулі немесе тәжірибесі және біліктілігі жоқ адамдардың (оның ішінде балалардың) пайдалануына арналмаған. Балалардың құрылғымен ойнамауы үшін оларды қадағалау қажет.

Ішкі бөліктерін тазалау, құрылғыны жөндеу, орнату, алып тастау және қайта орнату үшін рұқсатты өкілге немесе маманға хабарласыңыз. Дұрыс орнатпау және пайдаланбау жылыстауға, электр тоғына соғылуға немесе өртке әкеледі.



Құрылғыны жарылу немесе өрт тұтану қаупі бар ортада орнатпаңыз. Әйтпесе өрт орын алуы мүмкін.

Ауа желдеткішінің ішкі немесе сыртқы құрылғысына, айналатын бөліктеріне саусағыңызды немесе басқа заттарды кіргізбеңіз.



Найзағай ойнаған кезде сыртқы құрылғыға қолыңызды тигізбеңіз, электр тоғына соғылу қаупі бар.

Шамадан көп салқындатуды болдырмау үшін ұзақ уақыт бойы суық ауада тұрмаңыз.

Құрылғыға отырмаңыз не үстінен басаңыз, әйтпесе құлап қалуыңыз мүмкін.



ҚАШЫҚТАН БАСҚАРУ ҚҰРАЛЫ



Сәбилер мен кішкентай балаларды қашықтан басқару құралымен ойнатпаңыз, себебі батареяларын кездейсоқ жұтып қоюы мүмкін.

ҚУАТ КӨЗІ



Шамадан көп қызу мен өртті болдырмау үшін өзгертілген сымды, біріккен сымды, ұзартқышты немесе техникалық талаптарға сай емес сымды пайдаланбаңыз.



Шамадан көп қызып кетуді, өртті немесе электр тоғына соғылуды болдырмау үшін:

- Бір розетканы басқа жабдықпен ортақ пайдаланбаңыз.
- Құрылғыны ылғал қолдарыңызбен пайдаланбаңыз.
- Қуат сымын майыстырмаңыз.
- Құрылғыны тоқ ашасын кіргізу не айыру арқылы қосып-өшірмеңіз.



АЛДЫН-АЛА ЕСКЕРТУ

ҚУАТ КӨЗІ



Егер қуат сымы зақымдалса, қауіпті болдырмау үшін оны өндіруші, қызмет көрсету өкілі немесе білікті тұлғалар ауыстыруы керек.

Электр тоғына соғылуды немесе өртті болдырмау үшін, жер жылыстауынан автоматты түрде қорғайтын ажыратқышпен (ELCB) немесе қалдық тоқты бақылау құрылғысымен (RCD) бірге орнатылған жөн.

Шамадан көп қызып кетуді, өртті немесе электр тоғына соғылуды болдырмау үшін:

- Тоқ ашасын розеткаға дұрыс кіргізіңіз.
- Тоқ ашасындағы тозаңды құрғақ шүберекпен жиі сүртіп тұру қажет.

Кез келген қалыптан тыс жағдай/ақаулық орын алған кезде өнімді пайдалануды тоқтатыңыз және қуаттан ажыратыңыз немесе желілі ажыратқышты өшіріңіз. (Түтін/өрт/электр тоғына соғылу қаупі)

Қалыптан тыс жағдай/ақаулық мысалдары

- ELCB жиі тоқтап қалады.
- Бір нәрсе жанып жатқан иіс сезіледі.
- Құрылғының қалыптан тыс шуы немесе тербелісі байқалады.
- Сыртқы құрылғыдан су жылыстайды.
- Электр сымы немесе ашасы шамадан көп қызып кетеді.
- Желдеткіш жылдамдығын реттеу мүмкін емес.
- Кондиционер іске қосылғанмен, дереу тоқтап қалады.
- Желдеткіш тоқтатылғанымен, жұмыс істей береді.

Техникалық қызмет көрсету/жөндеу үшін жергілікті өкілге дереу хабарласыңыз.



Электр тоғына соғылу немесе өртті болдырмау үшін осы жабдықты жерге тұйықтау керек.



Электр тоғына соғылуды болдырмау үшін құрылғыны мына жағдайларда тоқтан ажыратып тастаңыз:

- Тазалау немесе қызмет көрсету алдында.
- Ұзақ пайдаланбау.
- Найзағайдың қалыптан тыс күшеюі.



HAZAP AUDAРЫҢЫЗ

ІШКІ ҚҰРЫЛҒЫ ЖӘНЕ СЫРТҚЫ ҚҰРЫЛҒЫ



Зақым немесе тот басуды болдырмау үшін, ішкі құрылғыны сумен, жанармаймен, еріткіш немесе тазалағыш ұнтақпен жумаңыз.

Дәлдік жабдығын, азық-түлікті, жануарларды, өсімдіктерді, суреттерді немесе басқа заттарды сақтау үшін пайдаланбаңыз. Бұл сапаны төмендетуге әкелуі мүмкін.

Өрттің таралуын болдырмау үшін, ауа айналымының шығысының алдында жанар жабдықты пайдаланбаңыз.

Жарақатты болдырмау үшін өсімдіктерді немесе үй жануарларын ауа айналымына жақын ұстамаңыз.

Өткір алюминий қырына тиіменіз, өткір бөліктер жарақатқа әкелуі мүмкін.



Еденге жылтыратқыш лак төсеген кезде ішкі құрылғыны қоспаңыз. Лак төсегеннен кейін құрылғыны қоспас бұрын бөлмені толық желдетіп алыңыз.

Құрылғыға зақым келтірмеу үшін құрылғыны майлы және түтінді аумаққа орнатпаңыз.

Жарақаттың алдын алу үшін құрылғыны тазалау мақсатында бөлшектемеңіз.

Жарақаттың алдын алу үшін құрылғыны тазалаған кезде тұрақсыз орындыққа тұрмаңыз.

Құрылғыға гүлсауытты немесе су ыдысын қоймаңыз. Құрылғыға су кіріп, оқшаулауды төмендету мүмкін. Бұл электр тоғына соғылуға әкелуі мүмкін.

Салқын/құрғақ күйінің жұмысы барысында терезені немесе есікті ұзақ уақыт ашық қалдырмаңыз.



Су жылыстауын болдырмау үшін дренаж түтіктерінің дұрыс жалғанғанын тексеріңіз және дренаж шығыстарын ағын су науаларынан, ыдыстардан алшақ ұстап, суға батып кетпеуін қадағалаңыз.

Кондиционерді ұзақ уақыт бойы немесе басқа жылытқыш жабдықпен бірге пайдаланған болсаңыз, бөлмені үнемі желдетіп отырыңыз.

Ұзақ уақыт пайдаланудан кейін, құрылғының құлап қалмауы үшін орнату тіреуінің күйін тексеріңіз.

ҚАШЫҚТАН БАСҚАРУ ҚҰРАЛЫ



Никель-кадмий (Ni-Cd) батареяларды пайдаланбаңыз. Бұл қашықтан басқару құралын зақымдауы мүмкін.



Қашықтан басқару құралының ақаулығын немесе зақымын болдырмау үшін:

- Егер құрылғы ұзақ уақыт бойы пайдаланылмайтын болса, батареяларды алып тастаңыз.
- Бір типті батареяларды өрістерін дұрыс келтіріп салу керек.

ҚУАТ КӨЗІ



Электр тоғына соғылуды болдырмау үшін штепсельді ажырату үшін сымды тартпаңыз.

ҚАШЫҚТАН БАСҚАРУ ҚҰРАЛЫ



Ең ұзақ қашықтық: 8 м



КӨРСЕТКІШ

- POWER (Жасыл)
- TIMER (Қызғылт сары)

Қашықтан басқару құралының экраны



Қашықтан басқару құралының түймешігін басыңыз

1 ҚҰРЫЛҒЫНЫ ҚОСУ НЕМЕСЕ ӨШІРУ



- Қашықтан басқару құралының экранындағы құрылғының қате іске қосылуын/тоқтатылуын болдырмау үшін OFF (өшірулі) индикаторын ескеріңіз.

2 ТЕМПЕРАТУРАНЫ ОРНАТУ ҮШІН

- Қыздыру, салқындату және құрғату күйлері үшін таңдаудың температура ауқымы — 16°C ~ 30°C.
- Құрылғыны кеңес етілген температурада пайдалану қуатты үнемдеуі мүмкін.
 ЖЫЛЫТУ күйі : 20°C ~ 24°C.
 САЛҚЫНДАТУ күйі : 26°C ~ 28°C.
 ҚҰРҒАТУ күйі : 1°C ~ 2°C. бөлме температурасынан төмен.

3 ЖҰМЫС КҮЙІН ТАҢДАУ ҮШІН

АВТО КҮЙ - ЫҢҒАЙЛЫҒЫҢЫЗ ҮШІН

- Құрылғы бөлме температурасына қарай жұмыс күйін таңдайды.
- Авто күйі таңдалған кезде құрылғы қалыпты орнатылған температурада жұмыс істейді.

Бөлме температурасы	Жұмыс күйі	Қалыпты орнатылған температура
23°C және жоғары	Салқын	25°C
23°C төмен	Жылу	22°C
20°C төмен	Қызу	21°C

- “HI” мен +2°C үшін ▲ басыңыз немесе “LO” мен -2°C қалыпты орнатылған температура үшін ▼ басыңыз.

ЖЫЛЫТУ КҮЙІ - ЖЫЛЫТУ ҮШІН

- Құрылғының қызуына уақыт кетеді. Қуат индикаторы осы әрекет барысында жыпылықтайды.

САЛҚЫНДАТУ КҮЙІ - Салқындату үшін

- Салқындату күйі барысында тоқты тұтынуды азайту мақсатында, күн сәулесі мен сыртқы жылуды кіргізбеу үшін перделерді пайдаланыңыз.

ҚҰРҒАТУ КҮЙІ - Бөлмедегі ылғалдық деңгейін азайту үшін

- Құрылғыны жайлы салқындықта пайдалану үшін желдеткіш төменгі жылдамдықта жұмыс істейді.

4 ЖЕЛДЕТКІШ ЖЫЛДАМДЫҒЫН ТАҢДАУ (3 ВАРИАНТ)

FAN SPEED 

- АВТО күй үшін сыртқы желдеткіш жылдамдығы жұмыс күйіне қарай автоматты түрде лайықталады.

5 ТІК АУА АЙНАЛЫМЫНЫҢ БАҒЫТЫН ЛАЙЫҚТАУ (5 ВАРИАНТ)

AIR SWING 

- Бөлмені желдетіп отырады.
- СУЫТУ/ҚҰРҒАТУ күйінде “АВТО” параметрі орнатылған болса, жапқыш жоғары/төменге автоматты түрде шайқалады.
- ЖЫЛЫТУ күйінде “АВТО” параметрі орнатылған болса, жапқыш алдын ала анықталған орында болады.

6 Құрал индикаторының жарықтығын көмескілендіру немесе қалпына келтіру үшін 5 секунд басып, ұстап тұрыңыз.

7 °C немесе °F температура параметрін көрсету үшін шамамен 10 секунд басып, ұстап тұрыңыз.





8 Қашықтан басқару құралының әдепкі параметрін қалпына келтіру үшін басыңыз.

9 Қалыпты жұмыс күйінде пайдаланылмайды.

ТАЙМЕРДІ ОРНАТУ

- Құралды алдын ала орнатылған уақытта ҚОСУ немесе ӨШІРУ үшін.



- “ҚОСУЛЫ” немесе “ӨШІРУЛІ” таймерін алып тастау үшін  немесе  басып,  басыңыз.
- “ҚОСУЛЫ” таймері орнатылған кезде, қажетті температураға уақытында жету үшін құрылғы нақты орнатылған уақытынан бұрын (30 минутқа дейін) іске қосылуы мүмкін.
- Таймердің жұмысы қашықтан басқару құралында орнатылған сағатқа негізделген және орнатылғаннан кейін күн сайын қайталанады. Сағат параметрі үшін артқы қақпақтағы қашықтан басқару құралын дайындауды қараңыз.
- Егер қолмен немесе қуат ақаулығына байланысты таймер алып тасталса,  басып, алдыңғы параметрін (қорек берілген кезде) қалпына келтіруге болады.

ІШКІ ҚҰРЫЛҒЫ



HAZAP AУDAPЫҢЫЗ

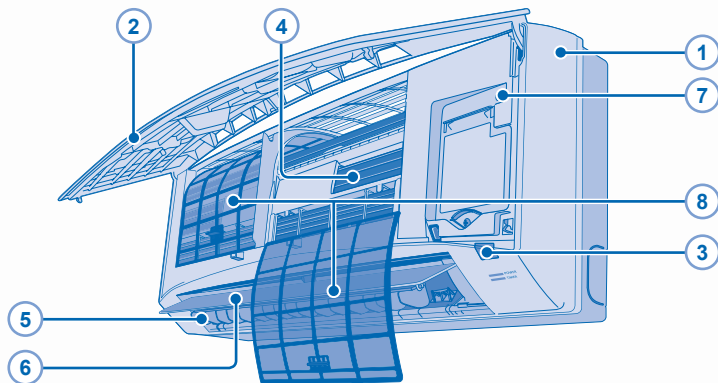
- Тазалау алдында қуат көзінен ажыратып, розеткадан суырыңыз.
- Алюминий қырына тимеңіз, өткір бөліктер жарақатқа әкелуі мүмкін.

ТАЗАЛАУ НҰСҚАУЛАРЫ

- Бензин, еріткіш немесе тазалағыш ұнтақты пайдаланбаңыз.
- Тек (\approx pH7) сабынын немесе бейтарап тұрмыстық жуғыш құралды пайдаланыңыз.
- 40°C асатын ыстық суда пайдаланбаңыз.

КЕҢЕС

- Құрылғының оңтайлы өнімділігін қамтамасыз ету үшін, тазалауды жиі жүргізу керек. Рұқсатты өкілге хабарласыңыз.



1 ІШКІ ҚҰРЫЛҒЫ

- Құрылғыны жұмсақ, құрғақ шүберекпен сүртіңіз.

2 АЛДЫҢҒЫ ТАҚТА

Алдығы тақтаны алып тастау

- Алдығы тақтаны алып тастау үшін көтеріп, тартыңыз.
- Шайып, құрғатыңыз.

Алдығы тақтаны жабу



- Алдығы тақтаны қауіпсіз жабу үшін екі шетін төмен басыңыз.

3 ҚАШЫҚТАН БАСҚАРУ ҚҰРАЛЫНЫҢ ҚАБЫЛДАҒЫШЫ

4 АЛЮМИНИЙ ҚЫРЫ

5 КӨЛБЕУ АУА АЙНАЛЫМЫНЫҢ ЖАПҚЫШЫ

- Қолмен лайықталатын.



6 ТІК АУА АЙНАЛЫМЫНЫҢ ЖАПҚЫШЫ

- Қолыңызбен лайықтамаңыз.

7 АВТО КҮЙІН ӨШІРУ/ҚОСУ ТҮЙМЕШІГІ

- Қашықтан басқару құралы дұрыс істемей тұрған кезде немесе ақаулық орын алған кезде пайдаланыңыз.

Әрекет	Күй
Бір рет басыңыз.	Авто
1 сигнал естілгенше басып, ұстап тұрып, босатыңыз.	Салқындату
Өшіру үшін түймешікті басыңыз.	

8 АУА СҮЗГІЛЕРІ

- Ауа сүзгісін екі апта сайын тазалап отыру қажет.
- Сүзгі бетінің зақымын болдырмау үшін сүзгілерді жуып/шайып тұрыңыз.
- Сүзгілерді көлеңкеде, өрт немесе тік күн сәулесінен алшақ жерде құрғатыңыз.
- Зақымдалған сүзгілерді ауыстырыңыз.

АҚАУЛЫҚТАРДЫ ЖОЮ

Мына нышандар ақаулық бар дегенді білдірмейді.

БЕЛГІ	СЕБЕБІ
Ішкі құрылғыдан тұман шығады.	▶ Салқындату үрдісіне байланысты суға айналу әсері.
Жұмыс істеп жатқан кезде су ағысының дыбысы шығады.	▶ Құрылғы ішіндегі салқындатқыш ағыны.
Бөлмеде оғаш иіс бар.	▶ Бұл қабырғадан, кілемнен, жиһаздан немесе киімнен шығатын ылғал иіске байланысты болуы мүмкін.
Ішкі желдеткіш автоматты жылдамдық параметрінде кейде тоқтап қалады.	▶ Бұл айналадағы иістерді жоюға көмектеседі.
Қайта іске қосқаннан кейін жұмыс бірнеше минут кідіреді.	▶ Кідіріс құрылғының компрессорын қорғайды.
Сыртқы құрылғыдан су/бу шығады.	▶ Түтіктерде суға айналу немесе булану орын алады.
Таймер көрсеткіші үнемі қосулы.	▶ Таймер параметрі орнатылған кезде күн сайын қайталанады.
Қорек көрсеткіші жұмыс барысында жыпылықтайды және ішкі желдеткіш тоқтайды.	▶ Құрылғы еріту күйінде және ерітілген мұз сыртқы құрылғыдан шығарылады.
Ішкі желдеткіш қыздыру әрекеті кезінде кейде тоқтап қалады.	▶ Мақсатсыз салқындату әсерін болдырмау.
Жұмыс істеп жатқан кезде шытырлаған дыбыс естіледі.	▶ Температура өзгерістері құрылғының кеңеюіне/сығылуына әкеледі.

Қызмет көрсету тобына хабарласпас бұрын мыналарды тексеріңіз.

БЕЛГІ	ТЕКСЕРУ
Жылыту/салқындату әрекеті дұрыс істемейді.	▶ Температураны дұрыс орнатыңыз. ▶ Барлық есіктер мен терезелерді жабыңыз. ▶ Сүзгілерді тазалаңыз немесе ауыстырыңыз. ▶ Ауа кірісі мен ауа шығысының ұяшықтарындағы кедергілерді жойыңыз.
Жұмыс істеп жатқан кезде шу көп.	▶ Құрылғының еңісте орнатылғанын тексеріңіз. ▶ Алдыңғы тақтаны дұрыс жабыңыз.
Қашықтан басқару құралы істемейді. (Экран көмескі немесе беру сигналы әлсіз).	▶ Батареяларды дұрыс салыңыз. ▶ Әлсіз батареяларды ауыстырыңыз.
Құрылғы істемейді.	▶ Ажыратқыштың тоқтағанын тексеріңіз. ▶ Таймерлердің орнатылғанын тексеріңіз.
Құрылғы қашықтан басқару құралынан сигнал алмайды.	▶ Қабылдағыштың кедергілері жоқтығын тексеріңіз. ▶ Кейбір флюоресценттік жарықтар сигнал бергішке кедергі келтіруі мүмкін. Рұқсатты өкілге хабарласыңыз.

ҰЗАҚ УАҚЫТ ПАЙДАЛАНБАУДАН КЕЙІН МЕРЗІМДІ ТЕКСЕРУ

- Қашықтан басқару құралының батареяларын тексеру.
- Ауа кірісі мен ауа шығысының ұяшықтарында кедергілердің жоқтығы.
- 15 минут жұмыс істегеннен кейін ауа кірісі мен ауа шығысының ұяшықтары арасындағы мына температура айырмашылығы қалыпты жағдай: Салқындату: $\geq 8^{\circ}\text{C}$ Жылыту: $\geq 14^{\circ}\text{C}$

ҰЗАҚ ПАЙДАЛАНБАУ

- Көгеруді болдырмау мақсатында ішкі бөліктерде қалып қойған ылғалды алып тастау үшін балама ретінде 2~3 сағат Жылыту күйін іске қосыңыз.
- Қуат көзін ажыратыңыз және розеткадан суырыңыз.
- Қашықтан басқару құралының батареяларын алып тастаңыз.

ДҰРЫС ЖҰМЫС ІСТЕМЕУ БЕЛГІЛЕРІ

ҚУАТ КӨЗІН ӨШІРІП, ҚҰРЫЛҒЫНЫ ЖЕЛІДЕН АЖЫРАТЫҢЫЗ және мына жағдайларда рұқсатты өкілге хабарласыңыз:

- Жұмыс істеп жатқан кезде қалыптан тыс шу.
- Су/бөгде заттар қашықтан басқару құралына тиген.
- Ішкі құрылғыдан су жылыстайды.
- Ажыратқыш жиі өшеді.
- Штепсель ашасы/желі сымы әдеттегіден тыс қызып кетеді.
- Айырып-қосқыштар немесе түймешіктер дұрыс істемейді.

Ескі жабдықты және пайдаланылған батареяларды жинау және жою жөніндегі пайдаланушы ақпараты



[Еуропа Одағынан тыс басқа елдерде жою туралы ақпарат]

Бұл нышандар тек Еуропа Одағына қатысты. Егер осы бұйымдарды жойғыңыз келсе, жергілікті органдарға немесе өкілге хабарласып, жоюдың дұрыс әдісін біліп алыңыз.



Pb

Батарея нышаны жөніндегі ескертпе (төмендегі екі нышан):

Бұл нышанды химиялық нышанмен бірге пайдалануға болады. Бұл жағдайда ол химиялық зат жөніндегі Директива талабына сәйкес келеді.

Handwriting practice area with horizontal dotted lines.

Бұйым электр және электрондық жабдықтардағы кейбір зиянды заттарды қолдануға шектеу қою туралы техникалық регламент талаптарына сәйкес.

Регламенттің №2 Қосымшасында ескерілмеген жағдайлардағы зиянды заттарының құрамы:

1. қорғасын (Pb) - заттың 0,1wt % салмағынан немесе миллионнан 1000 бөлікке дейінгі шоңырлануынан аспайды;
2. кадмий (Cd) - заттың 0, wt % салмағынан немесе миллионнан 100 бөлікке дейінгі шоңырлануынан аспайды;
3. сынап (Hg) - заттың 0,1wt % салмағынан немесе миллионнан 1000 бөлікке дейінгі шоңырлануынан аспайды;
4. алтывалентті хром (Cr⁶⁺) - заттың 0,1wt % салмағынан немесе миллионнан 1000 бөлікке дейінгі шоңырлануынан аспайды;
5. полибромбифенол (PBB) - заттың 0,1wt % салмағынан немесе миллионнан 1000 бөлікке дейінгі шоңырлануынан аспайды; полибромбифенол эфирлері (PBV) - заттың 0,1wt % салмағынан немесе миллионнан 1000 бөлікке дейінгі шоңырлануынан аспайды;

Жұмыс мерзіміне қатысты ескерту:

Осы пайдалану нұсқаулығы мен тиісті техникалық стандарттарға сай қолданылғанда өндіруші осы өнімге өндірілгеннен бастап 7 жыл жұмыс мерзімін анықтаған.



KZ.O.02.0052

«Panasonic» кондиционерлері келесі нормативті құжаттардың талаптарын сай:

ГОСТ 26963-86, пп. 2.1, 2.7, 3.1-3.4, 3.8, 3.10, 3.17, P.4, п.8.4;

ГОСТ 27570.0-87; ГОСТ 14087-88; ГОСТ 23511-79, п.1

Уполномоченная организация: Филиал ООО «Панасоник Рус», Казахстан, 050050, Алматы, ул. Сейфуллина, 284.

Тел.: +7 (727) 298 09 09

Үкiлеттi ұйым: ООО «Панасоник Рус» Филиалы, Қазақстан, 050050, Алматы қ., Сейфуллин көш., 284.

Тел.: +7 (727) 298 09 09

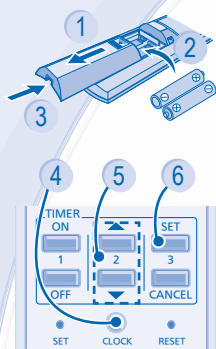
Панасоник Корпорейшн

Website: <http://panasonic.net/>

A series of horizontal dotted lines for writing, spanning the width of the page.

QUICK GUIDE/КРАТКАЯ ИНСТРУКЦИЯ ПОЛЬЗОВАТЕЛЯ/КОРОТКА ІНСТРУКЦІЯ/ҚЫСҚАША НҰСҚАУЛЫҚ

Remote Control Preparation • Подготовка Пульты Дистанционного Управления К Работе •
Підготовка пульта Дистанційного Керування • Қашықтан басқару құралын дайындау



- 1 Pull out • Сдвиньте • Вытянуть • Тарыңыз
- 2 Insert AAA or R03 batteries (can be used ~ 1 year) •
Вставьте батарейки (AAA или R03) (может использоваться ~ 1 год) •
Установіть батарейки AAA або R03 (термін використання ~ 1 рік) •
AAA немесе R03 батареяларын салыңыз (~ 1 жыл пайдалануға болады)
- 3 Close the cover • Закройте крышку • Закрийте відділення для батарейок кришкою •
Қақпақты жабыңыз
- 4 Press CLOCK • Нажмите кнопку CLOCK • Натисніть кнопку CLOCK • CLOCK
түймешігін басыңыз
- 5 Set time • Установите время • Установіть час • Уақытты орнатыңыз
- 6 Confirm • Подтверждение • Підтвердити • Растаныз

1

MODE

AUTO → HEAT
DRY ← COOL

Select the desired mode.
Выберите необходимый режим.
Оберіть потрібний режим.
Қажетті күйді таңдаңыз.

2

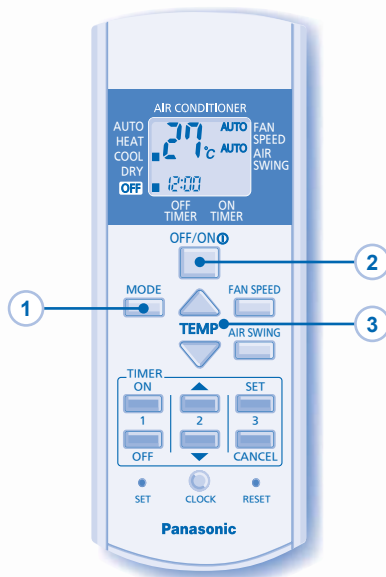
OFF/ON

Start/stop the operation.
Включить/остановить работу.
Початок/завершення роботи.
Жұмысты бастаңыз/тоқтатыңыз.

3

TEMP

Select the desired temperature.
Выберите необходимую температуру.
Установіть потрібну температуру.
Қажетті температураны таңдаңыз.



Panasonic Corporation
Website: <http://panasonic.net/>