

## Technical information

### Return temperature limiter

#### Tender specification:

Oventrop return temperature limiter, PN 10, 110°C, max. differential pressure 1 bar, body nickel plated, stainless steel stem, connection for threaded-, copper- and precision steel pipe.

Temperature range 20 °C - 50 °C, permissible excess temperature 110 °C, limitable and/or lockable as required, with "0" setting, item no. **102 71 65** (102 71 00).

Item no.

**M 30 x 1.5** (M 30 x 1.0)

Reversed angle pattern valve for the return pipe

DN 10 ( $\frac{3}{8}$ " ) **102 43 63** (102 73 91)

DN 15 ( $\frac{1}{2}$ " ) **102 43 64** (102 73 92)

Straight pattern valve for the return pipe

DN 10 ( $\frac{3}{8}$ " ) **102 44 63** (102 74 91)

DN 15 ( $\frac{1}{2}$ " ) **102 44 64** (102 74 92)

#### Installation:

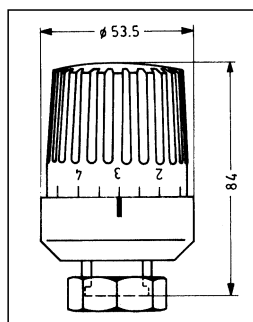
Return temperature limiters are used for example to limit the return temperature of radiators or, in the lower temperature region, of combined radiator/underfloor heating systems with a small underfloor heating area. The thermostat is influenced by the temperature of the heating medium, not the air temperature. Once the set temperature is exceeded, the valve shuts down and re-opens only when the temperature has dropped below the set value. The permissible max. flow temperature of the respective underfloor heating system has to be observed.

#### Return temperature limiter:

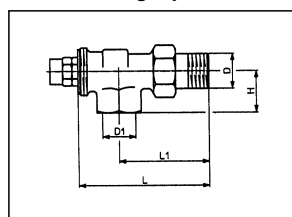
Item no.

**M 30 x 1.5** (M 30 x 1.0)

**102 71 65** (102 71 00)

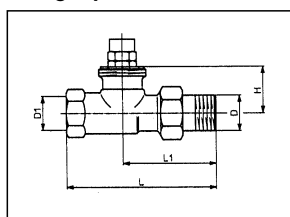


#### Reversed angle pattern valve



D DIN 2999	D <sub>1</sub>	H	L	L <sub>1</sub>
$\frac{3}{8}$ "	$\frac{3}{8}$ "	23	74.5	52
$\frac{1}{2}$ "	$\frac{1}{2}$ "	26	82	58

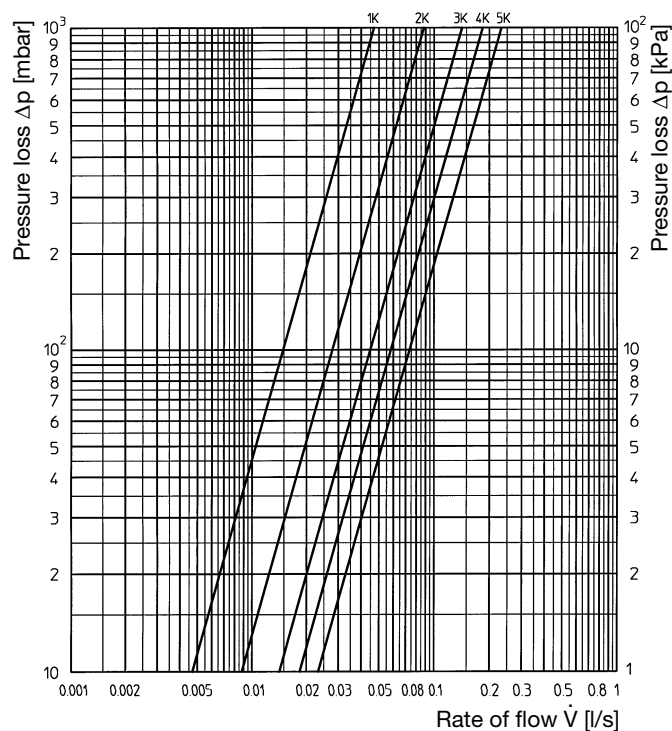
#### Straight pattern valve



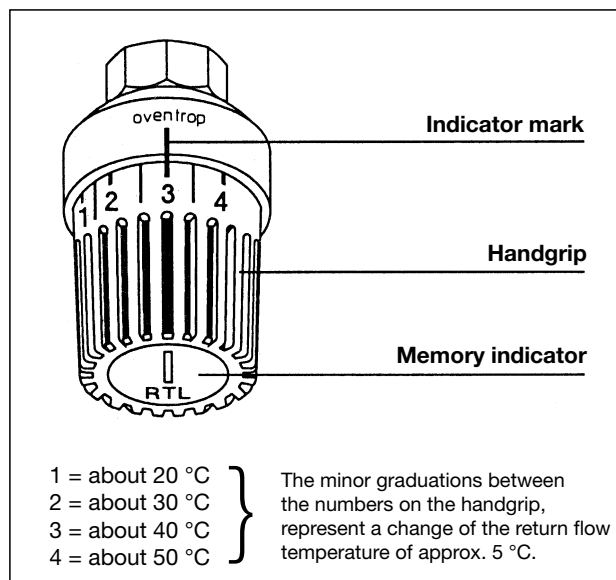
D DIN 2999	D <sub>1</sub> DIN 2999	H	L	L <sub>1</sub>
$\frac{3}{8}$ "	$\frac{3}{8}$ "	28.5	85	52
$\frac{1}{2}$ "	$\frac{1}{2}$ "	28.5	95	59



#### Performance data:

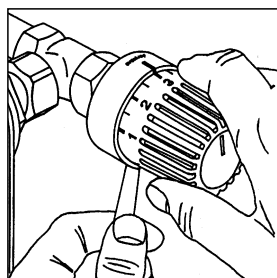


### Details of symbols and positions:

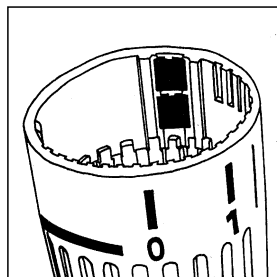


### Limiting the control range:

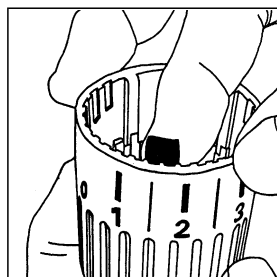
To prevent alteration of temperature setting through unauthorised persons, the return temperature limiter can be limited to any required temperature range.



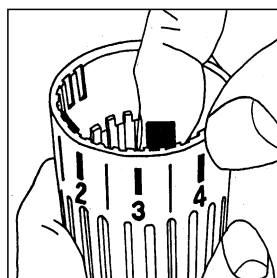
1. Remove the handgrip with the tool (item no. 198 91 00) or with a pin, e.g. with the push button of a pen. Insert the tool/pin in the hole on the bottom of the thermostat. By turning the handgrip into the shut-off position, it is easily removed. After having removed the handgrip turn the knurled screw to the left until the red calibration mark is in line with the indicator mark.



2. Inside the handgrip you will find two clips in the "parking" position as illustrated. They can be removed by sliding them to the outside. (If the clips are not used, they can of course be stored in the "parking" position.)



3. To limit the minimum temperature range, e.g. to position "2" (corresponds to about 30 °C), one clip should be fitted into the groove immediately **before** position "2" as illustrated. (The groove directly in front of position "2" thus remains free.)



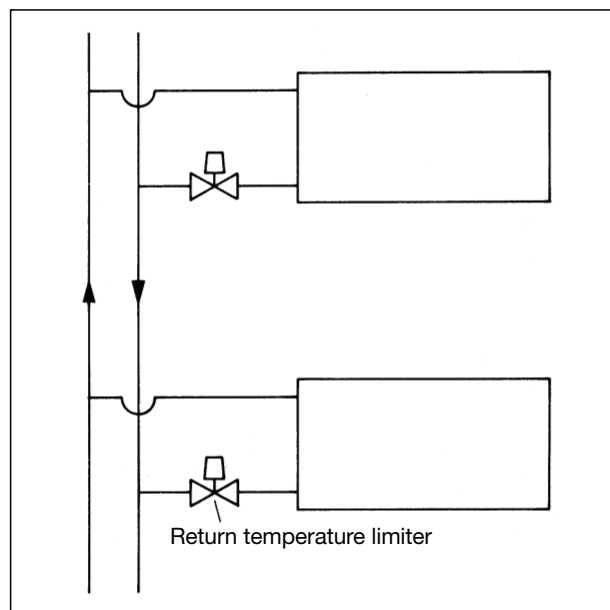
4. To limit the maximum temperature range, e.g. to position "3" (corresponds to about 40 °C) the second clip should be fitted into the groove immediately **after** position "3". (The groove directly in front of position "3" remains thus free.)

Replace the handgrip so that position "2" is in line with the red calibration mark of the knurled screw. Push down firmly with hand to secure.

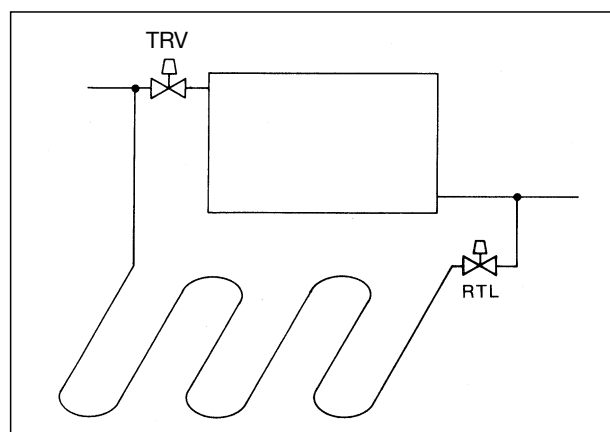
Subject to technical modification without notice.

Product range 1  
ti 104-1/10/5.98/MW

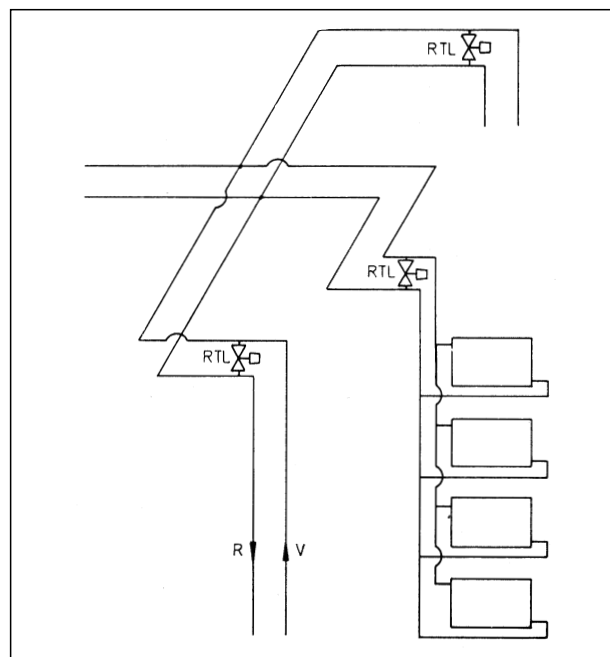
### Examples of installation:



Return temperature limiting at radiators



Regulation of combined radiator/underfloor



Frost protection for upper distribution