



The Oventrop Quality Management System is certified to DIN EN ISO 9001

Tender specification:

Oventrop "Y" type strainer PN 25 for central heating and cooling systems with closed circuits and industrial plants, for operation with non-aggressive fluids (e.g. water or suitable water and glycol mixtures according to VDI 2035).

Material resistant to: Mineral, heating and hydraulic oils, fuels, water steam as well as air and other harmless, non-aggressive gases*).

Max. operating pressure p_s : 25 bar (PN 25)

Operating temperatures t_s : -10 °C up to +150 °C

(The valid rules and standards for the use of these media may restrict the temperature range.)

*) not suitable for gaseous fluids group 1 according to PED 97/23/EC.

DN 8 – DN 50: Bronze body, bonnet made of brass

DN 68 and DN 80: Body and bonnet made of brass

Wire basket made of stainless chromium steel.

Item no. 112 00: Mesh size 0.6 mm; 100 meshes/cm²

Item no. 112 10: Mesh size 0.25 mm, 600 meshes/cm²

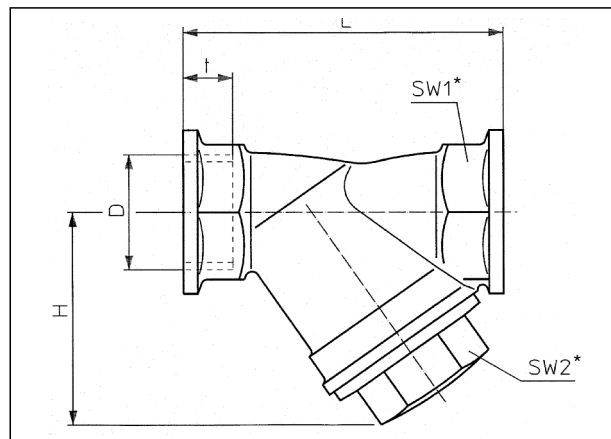
Sizes DN 10, DN 15 and DN 20 are also suitable for compression fittings.

Function:

Oventrop "Y" type strainers protect the pipework from harmful impurity, increase the service life of regulating and isolating valves and therefore prevent the premature breakdown of machines and appliances.

The strainer can be either installed vertically or horizontally, but the direction of flow always has to be observed. To facilitate straining, the wire basket should be in a downward position. Two mesh sizes are available for the wire baskets: 0.6 mm = 100 meshes/cm² or 0.25 mm = 600 meshes/cm² for fine filtering. The wire baskets are exchangeable.

Dimensions:



Advantages:

Due to the body being made of bronze and the wire basket of stainless chromium steel, Oventrop "Y" type strainers are corrosion-resistant. Depending on the degree of contamination of the fluid, the wire basket has to be cleaned from time to time.

Oventrop "Y" type strainers have a high capacity of absorption. The surface of the wire basket corresponds to a multiple of the flow cross-section. Should a cleaning of the wire basket become necessary, this is easily done. Wire baskets for replacement are available for all dimensions.

Dimensions and item numbers:

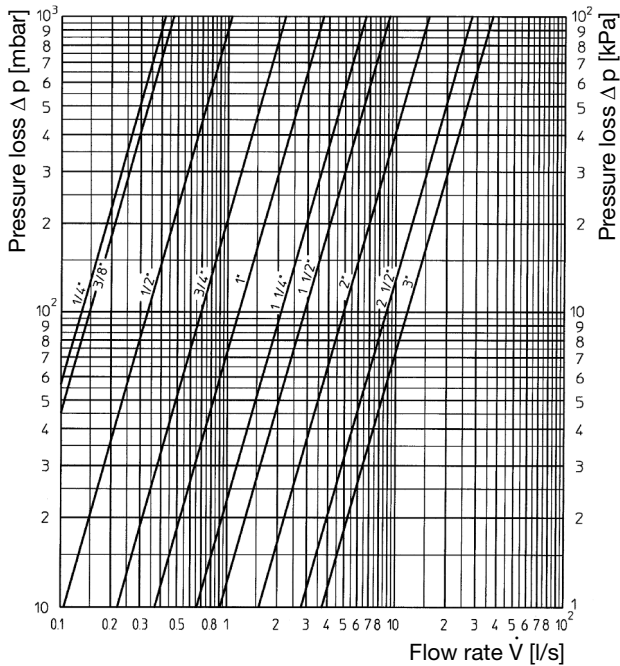
DN	D	L	t	H	SW ₁ *	SW ₂ *	Item no.	Item no.
8	G ¼	56	11	34	21	17	112 00 02	112 10 02
10	Rp ⅜ DIN 2999	63,5	10,1	34	22	17	112 00 03	112 10 03
15	Rp ½ DIN 2999	66,5	13,2	42	27	22	112 00 04	112 10 04
20	Rp ¾ DIN 2999	76,5	14,5	52	32	27	112 00 06	112 10 06
25	G 1	90	15	61	38	32	112 00 08	112 10 08
32	G 1 ¼	112	18	73	47	41	112 00 10	112 10 10
40	G 1 ½	120	18	82	54	46	112 00 12	112 10 12
50	G 2	150	22	94	66	56	112 00 16	112 10 16
65	G 2 ½	221	23	116	85	70	112 00 20	112 10 20
80	G 3	254	26	134	100	75	112 00 24	112 10 24

Item no. 112 00 . . with mesh size 0.6 mm; item no. 112 10 . . with mesh size 0.25 mm

* SW = spanner size

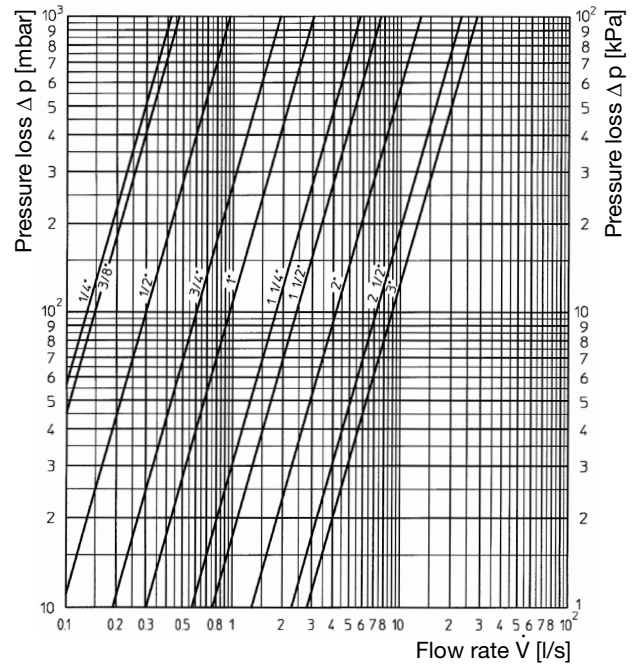
"Y" type strainer 112 00

(values with water as flow medium)
Mesh size 0.6 mm; 100 meshes /cm²



"Y" type strainer 112 10

(values with water as flow medium)
Mesh size 0.25 mm; 600 meshes /cm²



		"Y" type strainer 112 00 with water as flow medium		"Y" type strainer 112 10 with water as flow medium	
Dim.	di/mm	k _v	Zeta	k _v	Zeta
1/4"	8.8	1.5	4.3	1.4	5.0
3/8"	12.5	1.7	13.2	1.6	14.7
1/2"	16.0	3.8	7.2	3.4	9.2
3/4"	21.6	7.8	5.8	6.9	7.4
1"	27.2	13.4	4.9	10.9	7.3
1 1/4"	35.9	23.9	4.7	20.7	6.2
1 1/2"	41.8	32.5	4.6	27.4	6.5
2"	53.0	56.2	4.0	47.3	5.6
2 1/2"	68.8	101.3	3.5	82.1	5.3
3"	80.8	133.6	3.8	102.0	6.6

Zeta values related to the inner pipe diameter to 1387 medium - identical with DIN 2440.

k_v-values in m³/h with Δp 1 bar.

Replacement wire baskets:

Wire basket

(mesh size 0.6 mm)

	Item no.
1/4"	112 30 02
3/8"	112 30 03
1/2"	112 30 04
3/4"	112 30 06
1"	112 30 08
1 1/4"	112 30 10
1 1/2"	112 30 12
2"	112 30 16
2 1/2"	112 30 20
3"	112 30 24

Double wire basket
(mesh size 0.25 mm)

	Item no.
1/4"	112 31 02
3/8"	112 31 03
1/2"	112 31 04
3/4"	112 31 06
1"	112 31 08
1 1/4"	112 31 10
1 1/2"	112 31 12
2"	112 31 16
2 1/2"	112 31 20
3"	112 31 24

OVENTROP GmbH & Co. KG
Paul-Oventrop-Straße 1
D-59939 Olsberg
Germany
Telephone +49(0) 2962 82-0
Telefax +49(0) 2962 82-450
E-Mail mail@oventrop.de
Internet www.oventrop.de

Subject to technical modification without notice.

Product range 5
ti 20-1/10/MW
Edition 2011

Printed on paper free from
chlorine bleaching.

For an overview of our global presence
visit www.oventrop.de.