



The Oventrop Quality Management System is certified to DIN-EN-ISO 9001

### Tender specification:

Oventrop pump valve without draining facility, with hand-wheel. The special form of the pump connecting sleeve allows the use of all standard collar nuts according to DIN 3292, sheet 2.

Body, bonnet and wedge as well as non-rising stem made of brass. Teflon impregnated stem seal and gland packing.

Max. working temperature: 120 °C

Max. working pressure: 16 bar

### Function:

Oventrop pump valves for a simple installation of circulation pumps in hot water central heating systems. Moreover, maintenance work is simplified as the circulation pump may be replaced easily and quickly.

### Advantages:

Oventrop pump valves are directly connected to the pump so that additional couplings are unnecessary. The number of seals is reduced. The low height and the missing coupling allow a space-saving installation.

### Material:

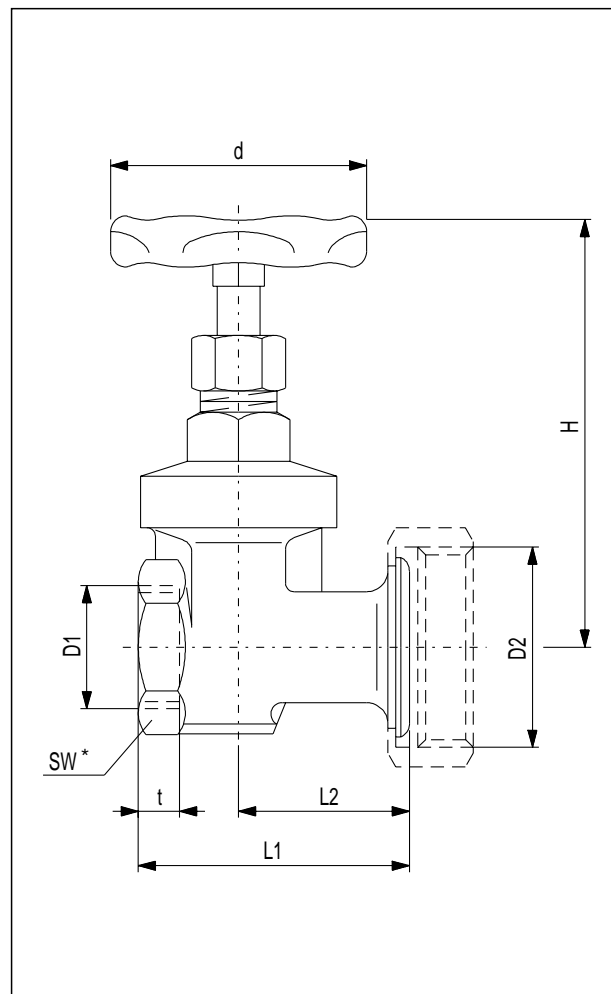
Body, bonnet, wedge, stem and gland nut made of brass, teflon impregnated gland packing, handwheel made of sheet steel.

The special asymmetrical form of the connecting sleeve allows the use of all standard collar nuts according to DIN 3292, sheet 2, sized 1" and 1¼".

### Application:

Hot water central heating systems up to 120 °C.

### Dimensions:



\* SW = Spanner size

### Dimensions and item nos.:

DN	D <sub>1</sub>	D <sub>2</sub>	L <sub>1</sub>	L <sub>2</sub>	t	H	d	kv*	Zeta*	Weight in gram	Item no.
25	1"	1½"	65	40	9.5	101	60	46	0.4	535	104 20 51
32	1¼"	2"	71	44	10.5	118	80	60	0.7	830	104 20 52
32	1¼"	1½"	67	40	10.5	118	80	46	0.4	575	104 20 53

\* kv-values in m<sup>3</sup>/h with Δp 1 bar. Zeta-values related to the inner pipe diameter according to DIN 2440.