



The Oventrop Quality Management System is certified to DIN-EN-ISO 9001

## Cast iron gate valve PN 16

### Tender Specification:

Oventrop cast iron wedge gate valve with both ends flanged PN 16. Inside screw, non rising stem. Handwheel operated.

Body, bonnet and stuffing box assembly made of cast iron. Stem and seat rings made of brass. Stem seal with teflon impregnated, asbestos free packing.

PN 16 up to 120 °C

Round flanges according to DIN EN 1092-2, PN 16.

### Function:

Oventrop cast iron gate valves are suitable for most general isolating purposes on non-aggressive fluids.

The non-rising stem compliments the compact design, and allows for use in confined spaces.

### Materials:

Body, bonnet and stuffing box assembly made of cast iron (EN-GJL-250 DIN EN 1561); stem and seat rings made of brass; handwheel made of steel. Teflon impregnated, asbestos free gland packing.

### Application:

Non-aggressive fluids up to 120 °C, water, mineral, heating and hydraulic oils.

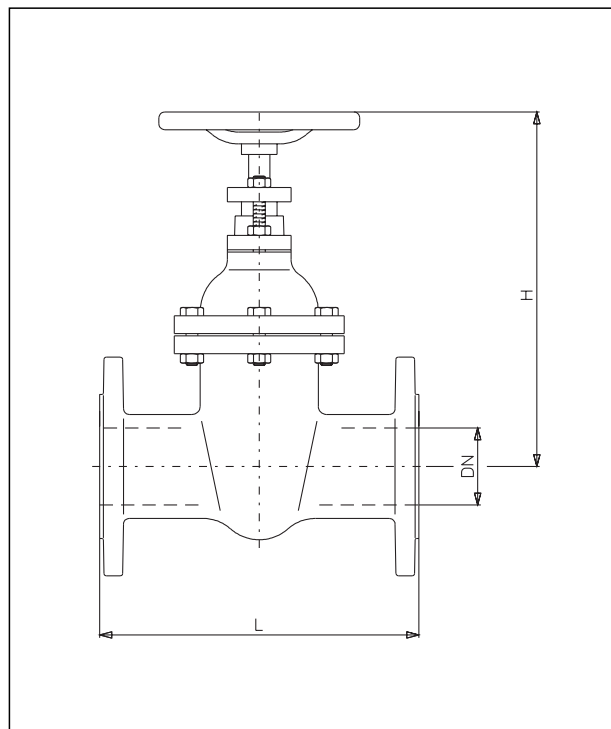
### Sizes:

DN 40  
DN 50  
DN 65  
DN 80  
DN 100  
DN 125  
DN 150  
DN 200  
DN 250  
DN 300

### Item No.

104 50 49  
104 50 50  
104 50 51  
104 50 52  
104 50 53  
104 50 54  
104 50 55  
104 50 56  
104 50 57  
104 50 58

### Dimensions:



DN	L	H	Kg
40	240	230	10
50	250	265	13
65	270	300	17
80	280	340	24
100	300	370	31
125	325	415	41
150	350	460	55
200	400	555	89
250	450	665	140
300	500	730	180