



The Oventrop Quality Management System is certified to DIN-EN-ISO 9001

Tender specification:

Oventrop digital room thermostat with fan drive for fan coil units. Suitable for two pipe systems and for continuous temperature control of the fan convectors with valve and three-stage fan. When the room temperature has reached the set nominal value, the valve will be closed and the fan will keep running.

The nominal value is set by key stroke, visualisation on a large liquid crystal display with blue backlighting.

Operating functions: Heating, cooling, ventilation. Fan speed: slow, medium, fast or automatic. The settings can be stored. The valve and fan coil are relay-controlled.

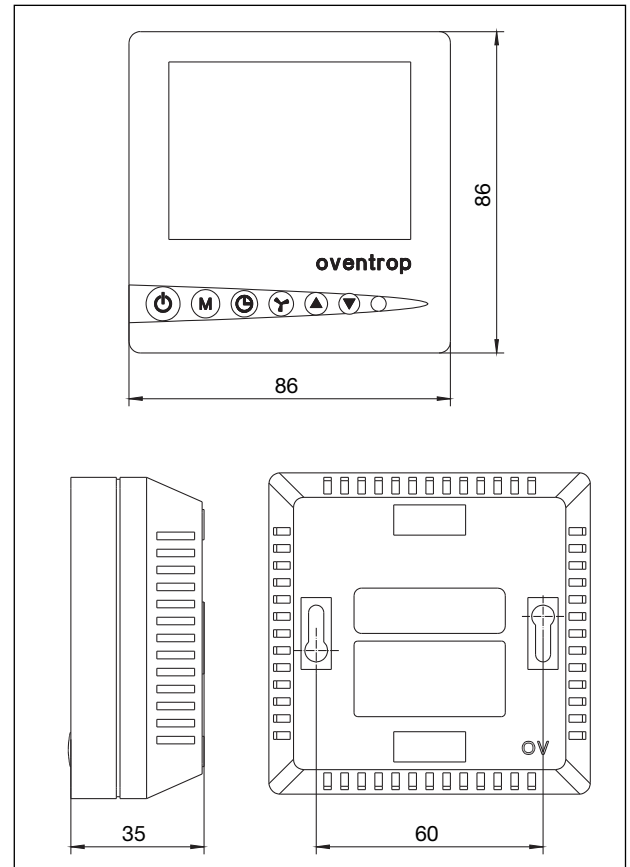
Used in conjunction with air conditioning systems, fan convectors (fan coil units).

Temperature range:	5°C up to 35°C
Operating current:	Item no. 115 24 51: 220 V AC, 50/60 Hz Item no. 115 24 52: 24 V AC, 50/60 Hz
Power:	< 200W
Fuse:	3A 230 V
Lebensdauer:	> 100,000 relay-actuated switching operations
Switching temperature difference:	±1K
Protection:	IP 30
Operational conditions:	0°C up to 45°C 5-95% air humidity
Item no.:	115 24 51 230 V 115 24 52 24 V

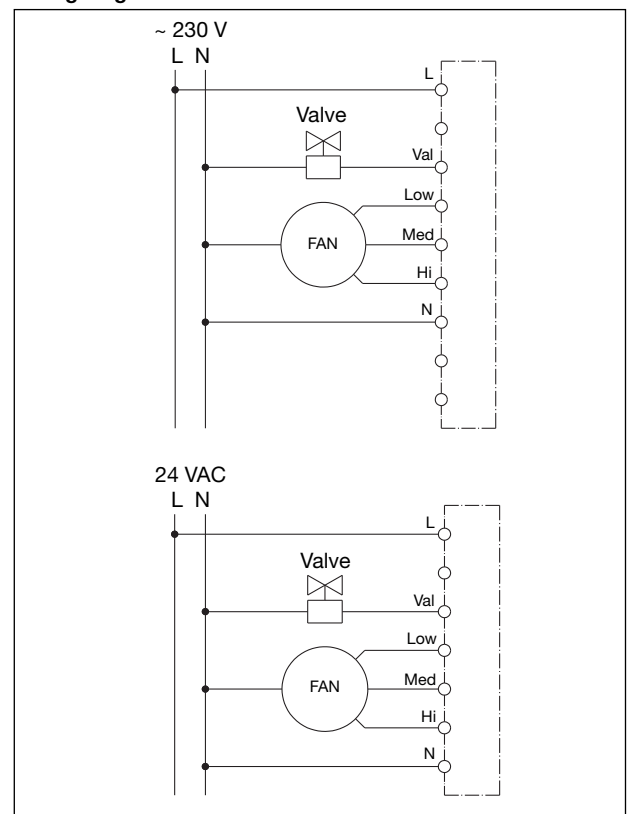
Application:

The Oventrop room thermostats with fan drive are used heating or cooling with fan convectors (fan coil units). The room temperature is kept at the required level.

Dimensions:



Wiring diagram:



Subject to technical modification without notice.

Product range 3
ti 225-0/10/MW
Edition 2010