

# Air-Conditioners

## PCA-RP-HAQ

### INSTALLATION MANUAL

For safe and correct use, read this manual and the outdoor unit installation manual thoroughly before installing the air-conditioner unit.

FOR INSTALLER

### INSTALLATIONSHANDBUCH

Aus Sicherheitsgründen und zur richtigen Anwendung vor Installation der Klimaanlage die vorliegende Bedienungsanleitung und das Installationshandbuch gründlich durchlesen.

FÜR INSTALLATEURE

### MANUEL D'INSTALLATION

Avant d'installer le climatiseur, lire attentivement ce manuel, ainsi que le manuel d'installation de l'appareil extérieur pour une utilisation sûre et correct.

POUR L'INSTALLATEUR

### INSTALLATIEHANDLEIDING

Lees deze handleiding en de installatiehandleiding van het buitenapparaat zorgvuldig door voordat u met het installeren van de airconditioner begint.

VOOR DE INSTALLATEUR

### MANUAL DE INSTALACIÓN

Para un uso seguro y correcto, lea detalladamente este manual de instalación antes de montar la unidad de aire acondicionado.

PARA EL INSTALADOR

### MANUALE DI INSTALLAZIONE

Per un uso sicuro e corretto, prima di installare il condizionatore d'aria leggere attentamente il presente manuale ed il manuale d'installazione dell'unità esterna.

PER L'INSTALLATORE

### ΕΓΧΕΙΡΙΔΙΟ ΟΔΗΓΙΩΝ ΕΓΚΑΤΑΣΤΑΣΗΣ

ΓΙΑ ΑΥΤΟΝ ΠΟΥ ΚΑΝΕΙ ΤΗΝ ΕΓΚΑΤΑΣΤΑΣΗ

Για σωστή και ασφαλή χρήση, διαβάστε προσεκτικά αυτό το εγχειρίδιο, καθώς και το εγχειρίδιο εγκατάστασης της εξωτερικής μονάδας, πριν από την εγκατάσταση της μονάδας κλιματιστικού.

### MANUAL DE INSTALAÇÃO

Para uma utilização segura e correcta, leia atentamente este manual e o manual de instalação da unidade exterior antes de instalar o aparelho de ar condicionado.

PARA O INSTALADOR

### INSTALLATIONSMANUAL

Læs af sikkerhedshensyn denne manual samt manualen til installation af udendørsenheden grundigt, før du installerer klimaanlægget.

TIL INSTALLATØREN

### INSTALLATIONSMANUAL

Läs bruksanvisningen och utomhusenhetens installationshandbok noga innan luftkonditioneringen installeras så att den används på ett säkert och korrekt sätt.

FÖR INSTALLATÖREN

### MONTAJ ELKİTABI

Emniyetli ve doğru kullanım için, klima cihazını monte etmeden önce bu kılavuzu ve dış ünite montaj kılavuzunu tamamiyla okuyun.

MONTÖR İÇİN

### РУКОВОДСТВО ПО УСТАНОВКЕ

Для обеспечения безопасной и надлежащей эксплуатации внимательно прочтите данное руководство и руководство по установке наружного прибора перед установкой кондиционера.

ДЛЯ УСТАНОВИТЕЛЯ

English

Deutsch

Français

Nederlands

Español

Italiano

Ελληνικά

Português

Dansk

Svenska

Türkçe

Русский

# Contents

1. Safety precautions.....	2	5. Drainage piping work.....	6
2. Installation location.....	3	6. Electrical work.....	6
3. Installing the indoor unit.....	3	7. Test run.....	10
4. Installing the refrigerant piping.....	4	8. Easy maintenance function.....	13

**Note:**  
The phrase “Wired remote controller” in this installation manual refers to the PAR-32MAA. If you need any information for the other remote controller, please refer to either the installation manual or initial setting manual which are included in these boxes.

## 1. Safety precautions

- ▶ Before installing the unit, make sure you read all the “Safety precautions”.
- ▶ Please report to your supply authority or obtain their consent before connecting this equipment to the power supply system.

**⚠ Warning:**  
Describes precautions that must be observed to prevent danger of injury or death to the user.

**⚠ Caution:**  
Describes precautions that must be observed to prevent damage to the unit.

- ⚠ Warning:**
- Ask a dealer or an authorized technician to install the unit.
  - For installation work, follow the instructions in the Installation Manual and use tools and pipe components specifically made for use with refrigerant specified in the outdoor unit installation manual.
  - The unit must be installed according to the instructions in order to minimize the risk of damage from earthquakes, typhoons, or strong winds. An incorrectly installed unit may fall down and cause damage or injuries.
  - The unit must be securely installed on a structure that can sustain its weight.
  - If the air conditioner is installed in a small room, measures must be taken to prevent the refrigerant concentration in the room from exceeding the safety limit in the event of refrigerant leakage. Should the refrigerant leak and cause the concentration limit to be exceeded, hazards due to lack of oxygen in the room may result.
  - Ventilate the room if refrigerant leaks during operation. If refrigerant comes into contact with a flame, poisonous gases will be released.
  - All electric work must be performed by a qualified technician according to local regulations and the instructions given in this manual.
  - Use only specified cables for wiring. The wiring connections must be made securely with no tension applied on the terminal connections. Also, never splice the cables for wiring (unless otherwise indicated in this document). Failure to observe these instructions may result in overheating or a fire.

After installation work has been completed, explain the “Safety Precautions,” use, and maintenance of the unit to the customer according to the information in the Operation Manual and perform the test run to ensure normal operation. Both the Installation Manual and Operation Manual must be given to the user for keeping. These manuals must be passed on to subsequent users.

**⚡** : Indicates a part which must be grounded.

**⚠ Warning:**  
Carefully read the labels affixed to the main unit.

- The appliance shall be installed in accordance with national wiring regulations.
- The terminal block cover panel of the unit must be firmly attached.
- If the supply cord is damaged, it must be replaced by the manufacturer, its service agent or similarly qualified persons in order to avoid a hazard.
- Use only accessories authorized by Mitsubishi Electric and ask a dealer or an authorized technician to install them.
- The user should never attempt to repair the unit or transfer it to another location.
- After installation has been completed, check for refrigerant leaks. If refrigerant leaks into the room and comes into contact with the flame of a heater or portable cooking range, poisonous gases will be released.
- When installing or relocating, or servicing the air conditioner, use only the specified refrigerant (R410A) to charge the refrigerant lines. Do not mix it with any other refrigerant and do not allow air to remain in the lines. If air is mixed with the refrigerant, then it can be the cause of abnormal high pressure in the refrigerant line, and may result in an explosion and other hazards. The use of any refrigerant other than that specified for the system will cause mechanical failure or system malfunction or unit breakdown. In the worst case, this could lead to a serious impediment to securing product safety.

### 1.1. Before installation (Environment)

- ⚠ Caution:**
- Do not use the unit in an unusual environment. If the air conditioner is installed in areas exposed to steam, volatile oil (including machine oil), or sulfuric gas, areas exposed to high salt content such as the seaside, the performance can be significantly reduced and the internal parts can be damaged.
  - Do not install the unit where combustible gases may leak, be produced, flow, or accumulate. If combustible gas accumulates around the unit, fire or explosion may result.
  - Do not keep food, plants, caged pets, artwork, or precision instruments in the direct airflow of the indoor unit or too close to the unit, as these items can be damaged by temperature changes or dripping water.

- When the room humidity exceeds 80% or when the drainpipe is clogged, water may drip from the indoor unit. Do not install the indoor unit where such dripping can cause damage.
- When installing the unit in a hospital or communications office, be prepared for noise and electronic interference. Inverters, home appliances, high-frequency medical equipment, and radio communications equipment can cause the air conditioner to malfunction or breakdown. The air conditioner may also affect medical equipment, disturbing medical care, and communications equipment, harming the screen display quality.

### 1.2. Before installation or relocation

- ⚠ Caution:**
- Be extremely careful when transporting the units. Two or more persons are needed to handle the unit, as it weighs 20 kg or more. Do not grasp the packaging bands. Wear protective gloves as you can injure your hands on the fins or other parts.
  - Be sure to safely dispose of the packaging materials. Packaging materials, such as nails and other metal or wooden parts may cause stabs or other injuries.
  - Thermal insulation of the refrigerant pipe is necessary to prevent condensation. If the refrigerant pipe is not properly insulated, condensation will be formed.

- Place thermal insulation on the pipes to prevent condensation. If the drainpipe is installed incorrectly, water leakage and damage to the ceiling, floor, furniture, or other possessions may result.
- Do not clean the air conditioner unit with water. Electric shock may result.
- Tighten all flare nuts to specification using a torque wrench. If tightened too much, the flare nut can break after an extended period.

### 1.3. Before electric work

- ⚠ Caution:**
- Be sure to install circuit breakers. If not installed, electric shock may result.
  - For the power lines, use standard cables of sufficient capacity. Otherwise, a short circuit, overheating, or fire may result.
  - When installing the power lines, do not apply tension to the cables.

- Be sure to ground the unit. If the unit is not properly grounded, electric shock may result.
- Use circuit breakers (ground fault interrupter, isolating switch (+B fuse), and molded case circuit breaker) with the specified capacity. If the circuit breaker capacity is larger than the specified capacity, breakdown or fire may result.

### 1.4. Before starting the test run

- ⚠ Caution:**
- Turn on the main power switch more than 12 hours before starting operation. Starting operation just after turning on the power switch can severely damage the internal parts.
  - Before starting operation, check that all panels, guards and other protective parts are correctly installed. Rotating, hot, or high voltage parts can cause injuries.

- Do not operate the air conditioner without the air filter set in place. If the air filter is not installed, dust may accumulate and breakdown may result.
- Do not touch any switch with wet hands. Electric shock may result.
- Do not touch the refrigerant pipes with bare hands during operation.
- After stopping operation, be sure to wait at least five minutes before turning off the main power switch. Otherwise, water leakage or breakdown may result.

## 2. Installation location

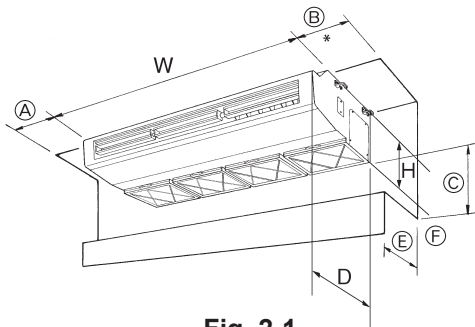


Fig. 2-1

### 2.1. Outline dimensions (Indoor unit) (Fig. 2-1)

Select a proper position allowing the following clearances for installation and maintenance.

Models	W	D	H	A	B *	C	E
RP71	1136	650	296	Min. 100	Min. 100	Min. 500	Max. 250
RP125	1520	650	296	Min. 100	Min. 100	Min. 500	Max. 250

(mm)

#### ⚠ Warning:

Mount the indoor unit on a ceiling strong enough to withstand the weight of the unit.

\* More than 300 mm recommended for easy maintenance.

Ⓔ Obstacle

## 3. Installing the indoor unit

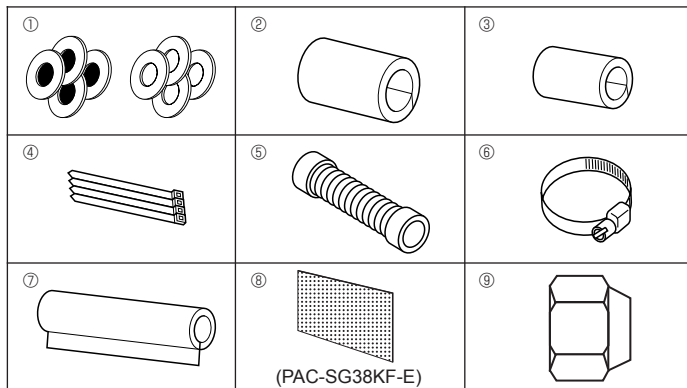


Fig. 3-1

### 3.1. Check the indoor unit accessories (Fig. 3-1)

The indoor unit should be supplied with the following spare parts and accessories (contained in the inside of the intake grille).

Accessory name		Q'ty
①	Washer	4 pcs + 4 pcs (with insulation)
②	Pipe cover	1 pc Large size (For gas tubing)
③	Pipe cover	1 pc Small size (For liquid tubing)
④	Band	4 pcs
⑤	Drain hose	1 pc
⑥	Band	2 pcs
⑦	Drain tubing cover	1 pc
⑧	Filter element	12 pcs
⑨	Flare nut	RP125
		RP71
		1 (ø19.05)
		0

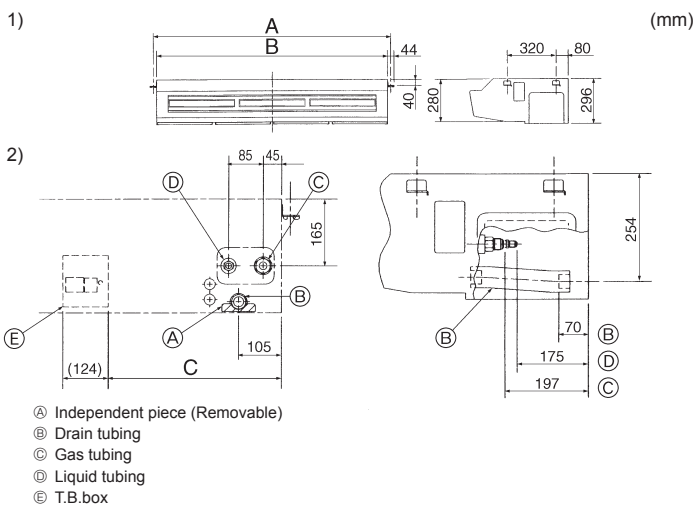


Fig. 3-2

### 3.2. Preparation for installation (Fig. 3-2)

#### 1) Suspension bolt installing spacing

Models	A	B
RP71	1180	1136
RP125	1564	1520

(mm)

#### 2) Refrigerant and drain tubing location

Models	C
RP71	542
RP125	422

(mm)

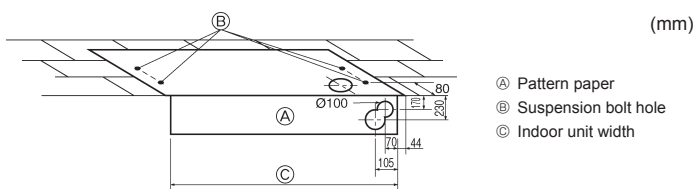


Fig. 3-3

#### 3) Selection of suspension bolts and tubing positions (Fig. 3-3)

Using the pattern paper provided for installation, select proper positions for suspension bolts and tubing and prepare relative holes.

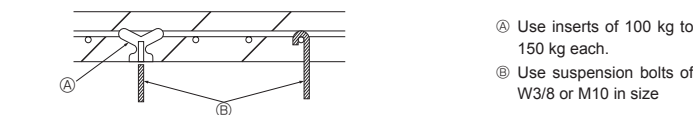


Fig. 3-4

Secure the suspension bolts or use angle stock braces or square timbers for bolt installation. (Fig. 3-4)

### 3. Installing the indoor unit

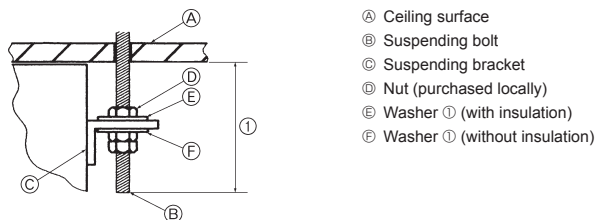
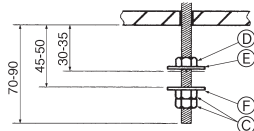


Fig. 3-5



(mm)

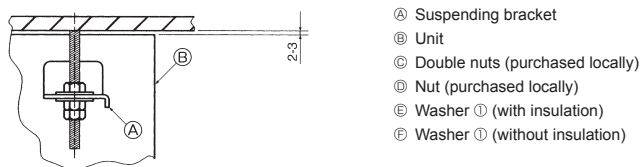
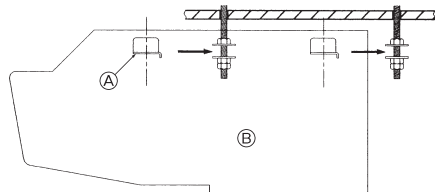


Fig. 3-6

- Ⓐ Ceiling surface
- Ⓑ Suspending bolt
- Ⓒ Suspending bracket
- Ⓓ Nut (purchased locally)
- Ⓔ Washer ① (with insulation)
- Ⓕ Washer ① (without insulation)

- Ⓐ Suspending bracket
- Ⓑ Unit
- Ⓒ Double nuts (purchased locally)
- Ⓓ Nut (purchased locally)
- Ⓔ Washer ① (with insulation)
- Ⓕ Washer ① (without insulation)

#### 4) Indoor unit preparation (Fig. 3-5)

1. Install the suspending bolts. (Procure the W3/8 or M10 bolts locally.) Predetermine the length from the ceiling (① within 70-90 mm).
2. Remove the intake grille. Slide the intake grille holding knobs (at two locations) backward to open the intake grille.
3. Remove the side panel. Remove the side panel holding screws (one in each side, right and left) then slide the side panel forward for removal.

#### 3.3. Installing the indoor unit (Fig. 3-6)

Use a proper suspending method depending on the presence or absence of ceiling materials as side.

In the absence of ceiling materials

##### 1) Directly suspending the unit

Installing procedures

1. Install the washer ① (with insulation) and the nut (to be locally procured).
2. Install the washer ① (without insulation) and the nut (to be locally procured).
3. Set (hook) the unit through the suspending bolts.
4. Tighten the nuts.

Check the unit installing condition.

- Check that the unit is horizontal between the right and left sides.
- Check that the unit slopes continuously downward from the front to the rear.
- Check that the unit is not contacting the ceiling.

### 4. Installing the refrigerant piping

#### 4.1. Precautions

##### 4.1.1. For devices that use R407C refrigerant

- Do not use the existing refrigerant piping.
- Do not use crushed, misshapen, or discolored tubing. The inside of the tubing should be clean and free from harmful sulfuric compounds, oxidants, dirt, debris, oils and moisture.
- Store the piping to be used during installation indoors and keep both ends of the piping sealed until just before brazing.
- Use ester oil, ether oil or alkylbenzene (small amount) as the refrigerator oil to coat flares and flange connections.
- Use liquid refrigerant to fill the system.
- Do not use a refrigerant other than R407C.
- Use a vacuum pump with a reverse flow check valve.
- Do not use the tools that are used with conventional refrigerants.
- Do not use a charging cylinder.
- Be especially careful when managing the tools.
- Do not use commercially available dryers.

##### 4.1.2. For devices that use R410A refrigerant

- Use ester oil, ether oil, alkylbenzene oil (small amount) as the refrigeration oil applied to the flared sections.
- Use C1220 copper phosphorus, for copper and copper alloy seamless pipes, to connect the refrigerant pipes. Use refrigerant pipes with the thicknesses specified in the table to the below. Make sure the insides of the pipes are clean and do not contain any harmful contaminants such as sulfuric compounds, oxidants, debris, or dust.

#### ⚠ Warning:

When installing or relocating, or servicing the air conditioner, use only the specified refrigerant (R410A) to charge the refrigerant lines. Do not mix it with any other refrigerant and do not allow air to remain in the lines.

If air is mixed with the refrigerant, then it can be the cause of abnormal high pressure in the refrigerant line, and may result in an explosion and other hazards.

The use of any refrigerant other than that specified for the system will cause mechanical failure or system malfunction or unit breakdown. In the worst case, this could lead to a serious impediment to securing product safety.

	RP35, 50	RP60-140
Liquid pipe	ø6.35 thickness 0.8 mm	ø9.52 thickness 0.8 mm
Gas pipe	ø12.7 thickness 0.8 mm	ø15.88 thickness 1.0 mm

- Do not use pipes thinner than those specified above.

## 4. Installing the refrigerant piping

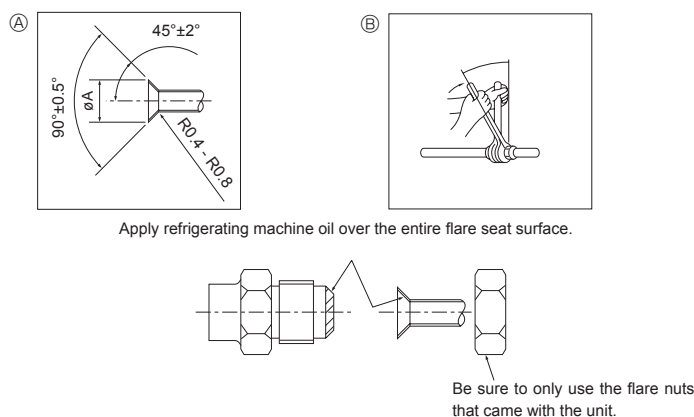


Fig. 4-1

### A Flare cutting dimensions

Copper pipe O.D. (mm)	Flare dimensions øA dimensions (mm)
ø6.35	8.6 - 9.0
ø9.52	12.6 - 13.0
ø12.7	15.8 - 16.2
ø15.88	19.0 - 19.4
ø19.05	22.9 - 23.3

### B Flare nut tightening torque

Copper pipe O.D. (mm)	Tightening torque (N·m)	Tightening angle (Guideline)
ø6.35	14 - 18	60° - 90°
ø9.52	35 - 42	60° - 90°
ø12.7	50 - 58	30° - 60°
ø15.88	75 - 80	30° - 60°
ø19.05	100 - 140	20° - 35°

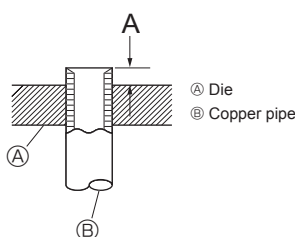


Fig. 4-2

Copper pipe O.D. (mm)	A (mm)	
	Flare tool for R-22-R407C	Flare tool for R410A
	Clutch type	
ø6.35 (1/4")	0 - 0.5	1.0 - 1.5
ø9.52 (3/8")	0 - 0.5	1.0 - 1.5
ø12.7 (1/2")	0 - 0.5	1.0 - 1.5
ø15.88 (5/8")	0 - 0.5	1.0 - 1.5
ø19.05 (3/4")	0 - 0.5	1.0 - 1.5

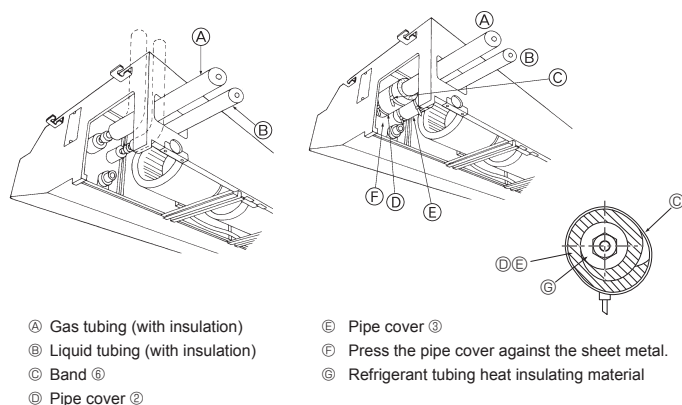


Fig. 4-3

## 4.2. Indoor unit (Fig. 4-1)

- When commercially available copper pipes are used, wrap liquid and gas pipes with commercially available insulation materials (heat-resistant to 100 °C or more, thickness of 12 mm or more).
- The indoor parts of the drain pipe should be wrapped with polyethylene foam insulation materials (specific gravity of 0.03, thickness of 9 mm or more).
- Apply thin layer of refrigerant oil to pipe and joint seating surface before tightening flare nut.
- Use two wrenches to tighten piping connections.
- Use leak detector or soapy water to check for gas leaks after connections are completed.
- Use refrigerant piping insulation provided to insulate indoor unit connections. Insulate carefully following shown below.
- Use correct flare nuts meeting the pipe size of the outdoor unit.

### Available pipe size

	RP35, 50	RP60	RP71	RP100, 125, 140
Liquid side	ø6.35 ○	ø6.35	—	—
	ø9.52	ø9.52 ○	ø9.52 ○	ø9.52 ○
Gas side	ø12.7 ○	—	—	—
	ø15.88	ø15.88 ○	ø15.88 ○	ø15.88 ○
	—	—	—	ø19.05

	P25	P35, 50, 60, 71	P100, 125, 140
Liquid side	ø6.35 ○	—	—
	—	ø9.52 ○	ø9.52 ○
Gas side	ø12.7 ○	—	—
	—	ø15.88 ○	—
	—	—	ø19.05 ○

○ : Factory flare nut attachment to the heat-exchanger.

### Warning:

When installing the unit, securely connect the refrigerant pipes before starting the compressor.

### Installing procedures

- Slide the supplied pipe cover ② over the gas tubing until it is pressed against the sheet metal inside the unit.
  - Slide the provided pipe cover ③ over the liquid tubing until it is pressed against the sheet metal inside the unit.
  - Tighten the pipe covers ② and ③ at the both ends (15 - 20 mm) with the supplied bands ④.
- After connecting the refrigerant piping to the indoor unit, be sure to test the pipe connections for gas leakage with nitrogen gas. (Check that there is no refrigerant leakage from the refrigerant piping to the indoor unit.) Conduct the airtightness test before connecting the outdoor unit stop valve and the refrigerant pipe.
  - If the test is conducted after the valve and pipe are connected, gas, which is used for checking the airtightness, will leak from the stop valve and flow into the outdoor unit, resulting in abnormal operation.

## 5. Drainage piping work

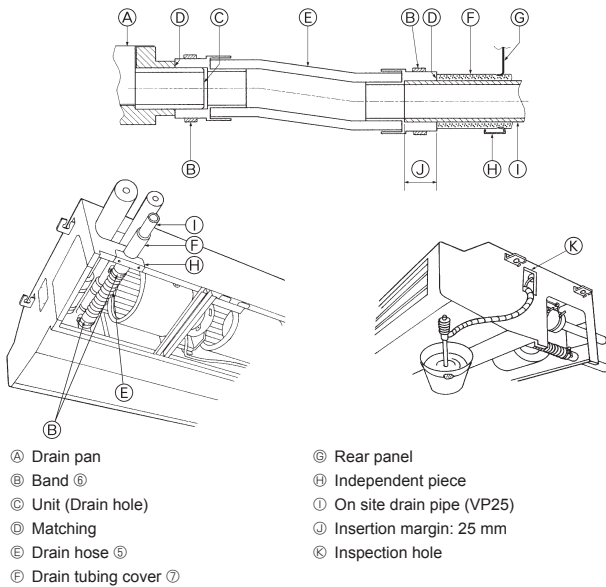


Fig. 5-1

### Installing procedures

1. Remove the independent piece (2 screws) of the indoor unit.
  2. Attach the band ⑥ supplied with the unit to the drain hose ⑤.
  3. Connect the drain hose ⑤ to the drain hole of the unit.
  4. Connect the field drain tubing (VP 25/O.D. ø32 PVC TUBE) to the drain hose ⑤.
  5. Tighten the band ⑥ in 2 places.
  6. Wrap the drain tubing cover ⑦ supplied with the unit.
  7. Install the independent piece.
  8. Check for correct drainage.
- \* Fill the drain pan with water of about 1 L from the tubing sensor access port.  
 \* After checking for correct drainage, replace the tubing sensor access port cover.

## 6. Electrical work

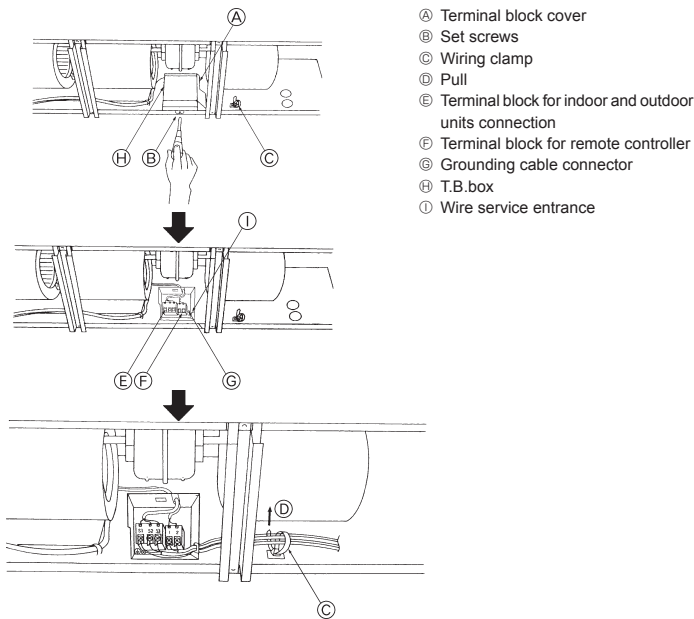


Fig. 6-1

### 6.1. Electric wiring (Fig. 6-1)

#### Wiring procedures

1. Insert all electrical wires into the unit.
2. Remove the terminal block cover (1 screw).
3. Connect the electric wires securely to the corresponding terminals.
4. Replace the terminal block cover.
5. Tie the electric wires with the local wiring clamp located in the right side of the junction box.

#### ⚠ Warning:

Never splice the power cable or the indoor-outdoor connection cable, otherwise it may result in a smoke, a fire or communication failure.

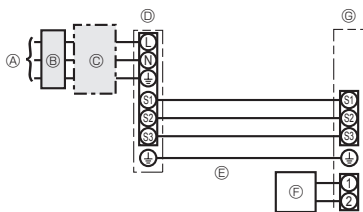
### 6.1.1. Indoor unit power supplied from outdoor unit

The following connection patterns are available.

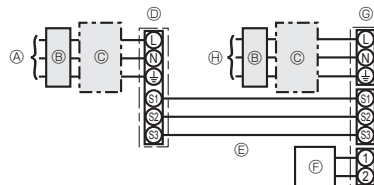
The outdoor unit power supply patterns vary on models.

#### 1:1 System

##### <For models without heater>



##### <For models with heater>



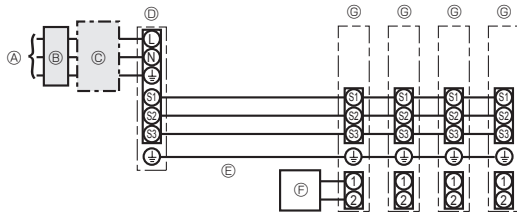
- A Outdoor unit power supply  
 B Earth leakage breaker  
 C Wiring circuit breaker or isolating switch  
 D Outdoor unit  
 E Indoor unit/outdoor unit connecting cords  
 F Remote controller  
 G Indoor unit  
 H Heater power supply

\* Affix a label A that is included with the manuals near each wiring diagram for the indoor and outdoor units.

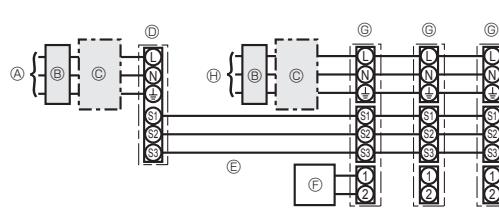
## 6. Electrical work

### Simultaneous twin/triple/four system

<For models without heater>



<For models with heater>



- Ⓐ Outdoor unit power supply
- Ⓑ Earth leakage breaker
- Ⓒ Wiring circuit breaker or isolating switch
- Ⓓ Outdoor unit
- Ⓔ Indoor unit/outdoor unit connecting cords
- Ⓕ Remote controller
- Ⓖ Indoor unit
- Ⓗ Heater power supply

\* Affix a label A that is included with the manuals near each wiring diagram for the indoor and outdoor units.

Indoor unit model		PCA
Indoor unit power supply (Heater)		-
Indoor unit input capacity (Heater)		-
Main switch (Breaker)		*1
Wiring Wire No. x size (mm <sup>2</sup> )	Indoor unit power supply (Heater)	-
	Indoor unit power supply (Heater) earth	-
	Indoor unit-Outdoor unit	*2 3 × 1.5 (polar)
	Indoor unit-Outdoor unit earth	*2 1 × Min. 1.5
	Remote controller-Indoor unit	*3 2 × 0.3 (Non-polar)
Circuit rating	Indoor unit (Heater) L-N	*4 -
	Indoor unit-Outdoor unit S1-S2	*4 AC 230 V
	Indoor unit-Outdoor unit S2-S3	*4 DC 24 V
	Remote controller-Indoor unit	*4 DC 12 V

\*1. A breaker with at least 3 mm contact separation in each pole shall be provided. Use non-fuse breaker (NF) or earth leakage breaker (NV).

\*2. <For 25-140 outdoor unit application>

Max. 45 m

If 2.5 mm<sup>2</sup> used, Max. 50 m

If 2.5 mm<sup>2</sup> used and S3 separated, Max. 80 m

For PUHZ-RP100/125/140 YHA application, use shield wires. The shield part must be grounded with the indoor unit OR the outdoor unit, NOT with both.

<For 200/250 outdoor unit application>

Max. 18 m

If 2.5 mm<sup>2</sup> used, Max. 30 m

If 4 mm<sup>2</sup> used and S3 separated, Max. 50 m

If 6 mm<sup>2</sup> used and S3 separated, Max. 80 m

\*3. The 10 m wire is attached in the remote controller accessory. Max. 500 m

\*4. The figures are NOT always against the ground.

S3 terminal has DC 24 V against S2 terminal. However between S3 and S1, these terminals are not electrically insulated by the transformer or other device.

**Notes:** 1. Wiring size must comply with the applicable local and national code.

2. Power supply cords and indoor unit/outdoor unit connecting cords shall not be lighter than polychloroprene sheathed flexible cord. (Design 60245 IEC 57)

3. Install an earth longer than other cables.

### 6.1.2. Separate indoor unit/outdoor unit power supplies (For PUHZ application only)

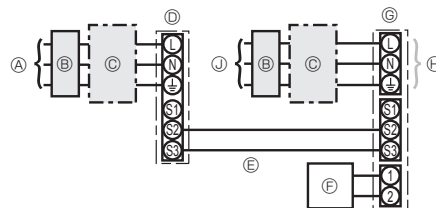
The following connection patterns are available.

The outdoor unit power supply patterns vary on models.

#### 1:1 System

<For models without heater>

\* The optional wiring replacement kit is required.



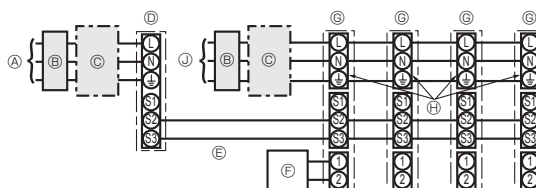
- Ⓐ Outdoor unit power supply
- Ⓑ Earth leakage breaker
- Ⓒ Wiring circuit breaker or isolating switch
- Ⓓ Outdoor unit
- Ⓔ Indoor unit/outdoor unit connecting cords
- Ⓕ Remote controller
- Ⓖ Indoor unit
- Ⓗ Option
- Ⓙ Indoor unit power supply

\* Affix a label B that is included with the manuals near each wiring diagram for the indoor and outdoor units.

### Simultaneous twin/triple/four system

<For models without heater>

\* The optional wiring replacement kits are required.



- Ⓐ Outdoor unit power supply
- Ⓑ Earth leakage breaker
- Ⓒ Wiring circuit breaker or isolating switch
- Ⓓ Outdoor unit
- Ⓔ Indoor unit/outdoor unit connecting cords
- Ⓕ Remote controller
- Ⓖ Indoor unit
- Ⓗ Option
- Ⓙ Indoor unit power supply

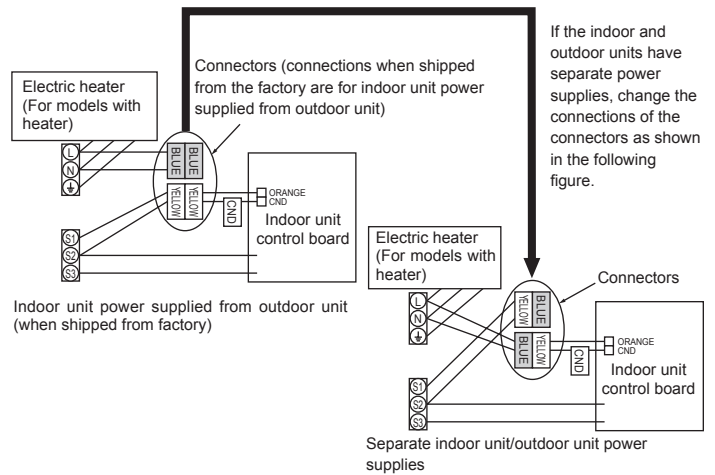
\* Affix a label B that is included with the manuals near each wiring diagram for the indoor and outdoor units.

## 6. Electrical work

If the indoor and outdoor units have separate power supplies, refer to the table at the below. If the optional wiring replacement kit is used, change the indoor unit electrical box wiring referring to the figure in the right and the DIP switch settings of the outdoor unit control board.

	Indoor unit specifications								
Indoor power supply terminal kit (option)	Required								
Indoor unit electrical box connector connection change	Required								
Label affixed near each wiring diagram for the indoor and outdoor units	Required								
Outdoor unit DIP switch settings (when using separate indoor unit/outdoor unit power supplies only)	<table border="1"> <tr> <td>ON</td> <td></td> <td></td> <td>3</td> </tr> <tr> <td>OFF</td> <td>1</td> <td>2</td> <td></td> </tr> </table> (SW8)	ON			3	OFF	1	2	
ON			3						
OFF	1	2							

\* There are three types of labels (labels A, B, and C). Affix the appropriate labels to the units according to the wiring method.



Indoor unit model	PCA	
Indoor unit power supply	~N (single), 50 Hz, 230 V	
Indoor unit input capacity	*1	16 A
Main switch (Breaker)		
Wiring Wire No. x size (mm <sup>2</sup> )	Indoor unit power supply	2 × Min. 1.5
	Indoor unit power supply earth	1 × Min. 1.5
	Indoor unit-Outdoor unit	*2 2 × Min. 0.3
	Indoor unit-Outdoor unit earth	-
Circuit rating	Remote controller-Indoor unit	*3 2 × 0.3 (Non-polar)
	Indoor unit L-N	*4 AC 230 V
	Indoor unit-Outdoor unit S1-S2	*4 -
	Indoor unit-Outdoor unit S2-S3	*4 DC 24 V
	Remote controller-Indoor unit	*4 DC 12 V

\*1. A breaker with at least 3 mm contact separation in each pole shall be provided. Use non-fuse breaker (NF) or earth leakage breaker (NV).

\*2. Max. 120 m

For PUHZ-RP100/125/140 YHA application, use shield wires. The shield part must be grounded with the indoor unit OR the outdoor unit, NOT with both.

\*3. The 10 m wire is attached in the remote controller accessory. Max. 500 m

\*4. The figures are NOT always against the ground.

**Notes:** 1. Wiring size must comply with the applicable local and national code.

2. Power supply cords and indoor unit/outdoor unit connecting cords shall not be lighter than polychloroprene sheathed flexible cord. (Design 60245 IEC 57)

3. Install an earth longer than other cables.

**Warning:**

Never splice the power cable or the indoor-outdoor connection cable, otherwise it may result in a smoke, a fire or communication failure.

### 6.2. Remote controller (Fig. 6-2)

#### For wired remote controller

##### 1) Two remote controller setting

If two remote controllers are connected, set one to "Main" and the other to "Sub". For setting procedures, refer to "Function selection of remote controller" in the operation manual for the indoor unit.



## 6. Electrical work

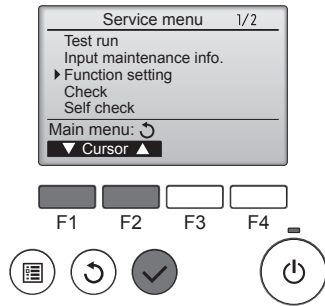


Fig. 6-2

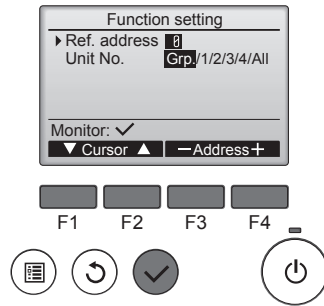


Fig. 6-3

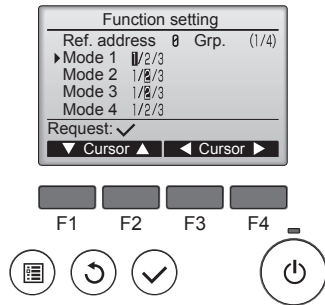


Fig. 6-4

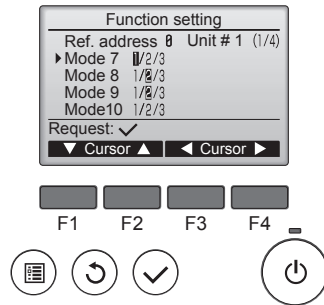


Fig. 6-5

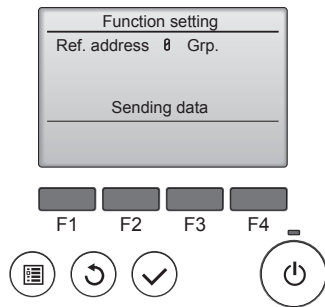


Fig. 6-6

**Note:**

- Make the above settings on Mr. Slim units as necessary.
- Table 1 summarizes the setting options for each mode number. Refer to the indoor unit Installation Manual for the detailed information about initial settings, mode numbers, and setting numbers for the indoor units.
- Be sure to write down the settings for all functions if any of the initial settings has been changed after the completion of installation work.

Table1. Function setting options

Mode No.	Mode	Settings	Setting No.	Unit numbers	
01	Automatic recovery after power failure	Disable	1	Set "Grp." for the Unit number. These settings apply to all the connected indoor units.	
		Enable (Four minutes of standby time is required after the restoration of power.)	2		
02	Thermistor selection (indoor temperature detection)	Average temperature reading of the indoor units in operation	1		
		Thermistor on the indoor unit to which the remote controller is connected (fixed)	2		
		Built-in sensor on the remote controller	3		
03	LOSSNAY connection	Not connected	1		
		Connected (without outdoor air intake by the indoor units)	2		
		Connected (with outdoor air intake by the indoor units)	3		
04	Power voltage	240 V	1		
		220 V, 230 V	2		
07	Filter sign	100 hours	1		Set "1, 2, 3, 4, or All" for the Unit number. These settings apply to each indoor unit.
		2500 hours	2		
		Not displayed	3		
08	Fan speed	Silent mode (or standard)	1		
		Standard (or High ceiling 1)	2		
		High ceiling (or High ceiling 2)	3		
09	Outlet	4 directional	1	• If "1, 2, 3, or 4" is set for the Unit number, the settings apply only to the specified indoor unit regardless of the number of connected indoor units (one through four units). • If "All" is set for the Unit number, the settings apply to all the connected indoor units regardless of the number of connected indoor units (one through four units).	
		3 directional	2		
		2 directional	3		
10	Optional parts (High-efficiency filter)	No	1		
		Yes	2		
11	Vane	No vanes (or the vane setting No.3 is effective.)	1		
		Equipped with vanes (The vane setting No.1 is effective.)	2		
		Equipped with vanes (The vane setting No.2 is effective.)	3		

### 6.3. Function settings

#### 6.3.1. Function setting on the unit (Selecting the unit functions)

##### 1) For wired remote controller

- (Fig. 6-2)
  - Select "Service" from the Main menu, and press the [SELECT] button.
  - Select "Function settings" with the [F1] or [F2] button, and press the [SELECT] button.

- (Fig. 6-3)
  - Set the indoor unit refrigerant addresses and unit numbers with the [F1] through [F4] buttons, and then press the [SELECT] button to confirm the current setting.

**<Checking the Indoor unit No.>**  
When the [SELECT] button is pressed, the target indoor unit will start fan operation. If the unit is common or when running all units, all indoor units for the selected refrigerant address will start fan operation.

- (Fig. 6-4)
  - When data collection from the indoor units is completed, the current settings appears highlighted. Non-highlighted items indicate that no function settings are made. Screen appearance varies depending on the "Unit No." setting.

- (Fig. 6-5)
  - Use the [F1] or [F2] button to move the cursor to select the mode number, and change the setting number with the [F3] or [F4] button.

- (Fig. 6-6)
  - When the settings are completed, press the [SELECT] button to send the setting data from the remote controller to the indoor units.
  - When the transmission is successfully completed, the screen will return to the Function setting screen.

## 6. Electrical work

### Function table

Select unit number 00

Mode	Settings	Mode no.	Setting no.	Initial setting	setting
Power failure automatic recovery	Not available	01	1	*2	
	Available *1		2	*2	
Indoor temperature detecting	Indoor unit operating average	02	1	○	
	Set by indoor unit's remote controller		2		
	Remote controller's internal sensor		3		
LOSSNAY connectivity	Not Supported	03	1	○	
	Supported (indoor unit is not equipped with outdoor-air intake)		2		
	Supported (indoor unit is equipped with outdoor-air intake)		3		
Power voltage	240 V	04	1		
	220 V, 230 V		2	○	

Select unit numbers 01 to 03 or all units (AL [wired remote controller]/07 [wireless remote controller])

Mode	Settings	Mode no.	Setting no.	Initial setting	setting
Filter sign	100Hr	07	1	○	
	2500Hr		2		
	No filter sign indicator		3		

\*1 When the power supply returns, the air conditioner will start 3 minutes later.

\*2 Power failure automatic recovery initial setting depends on the connecting outdoor unit.

## 7. Test run

### 7.1. Before test run

- ▶ After completing installation and the wiring and piping of the indoor and outdoor units, check for refrigerant leakage, looseness in the power supply or control wiring, wrong polarity, and no disconnection of one phase in the supply.
- ▶ Use a 500-volt megohmmeter to check that the resistance between the power supply terminals and ground is at least 1.0 MΩ.

▶ Do not carry out this test on the control wiring (low voltage circuit) terminals.

⚠ Warning:

Do not use the air conditioner if the insulation resistance is less than 1.0 MΩ. Insulation resistance

### 7.2. Test run

#### 7.2.1. Using wired remote controller.

- Make sure to read operation manual before test run. (Especially items to secure safety)

#### Step 1 Turn on the power.

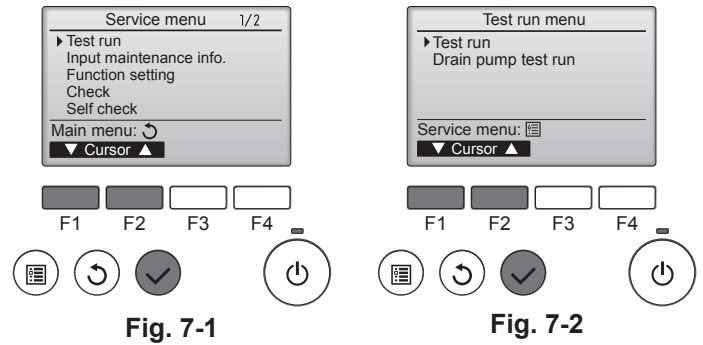
- Remote controller: The system will go into startup mode, and the remote controller power lamp (green) and "PLEASE WAIT" will blink. While the lamp and message are blinking, the remote controller cannot be operated. Wait until "PLEASE WAIT" is not displayed before operating the remote controller. After the power is turned on, "PLEASE WAIT" will be displayed for approximately 2 minutes.
- Indoor controller board: LED 1 will be lit up, LED 2 will be lit up (if the address is 0) or off (if the address is not 0), and LED 3 will blink.
- Outdoor controller board: LED 1 (green) and LED 2 (red) will be lit up. (After the startup mode of the system finishes, LED 2 will be turned off.) If the outdoor controller board uses a digital display, [ - ] and [ - ] will be displayed alternately every second. If the operations do not function correctly after the procedures in step 2 and thereafter are performed, the following causes should be considered and eliminated if they are found. (The symptoms below occur during the test run mode. "Startup" in the table means the LED display written above.)

Symptoms in test run mode		Cause
Remote Controller Display	OUTDOOR BOARD LED Display < > indicates digital display.	
Remote controller displays "PLEASE WAIT", and cannot be operated.	After "startup" is displayed, only green lights up. <00>	• After power is turned on, "PLEASE WAIT" is displayed for 2 minutes during system startup. (Normal)
After power is turned on, "PLEASE WAIT" is displayed for 3 minutes, then error code is displayed.	After "startup" is displayed, green(once) and red(once) blink alternately. <F1>	• Incorrect connection of outdoor terminal block (R, S, T and S <sub>1</sub> , S <sub>2</sub> , S <sub>3</sub> .)
	After "startup" is displayed, green(once) and red(twice) blink alternately. <F3, F5, F9>	• Outdoor unit's protection device connector is open.
No display appears even when remote controller operation switch is turned on. (Operation lamp does not light up.)	After "startup" is displayed, green(twice) and red(once) blink alternately. <EA, Eb>	• Incorrect wiring between the indoor and outdoor unit (Polarity is wrong for S <sub>1</sub> , S <sub>2</sub> , S <sub>3</sub> .) • Remote controller transmission wire short.
	After "startup" is displayed, only green lights up. <00>	• There is no outdoor unit of address 0. (Address is other than 0.) • Remote controller transmission wire open.
Display appears but soon disappears even when remote controller is operated.	After "startup" is displayed, only green lights up. <00>	• After canceling function selection, operation is not possible for about 30 seconds. (Normal)

## 7. Test run

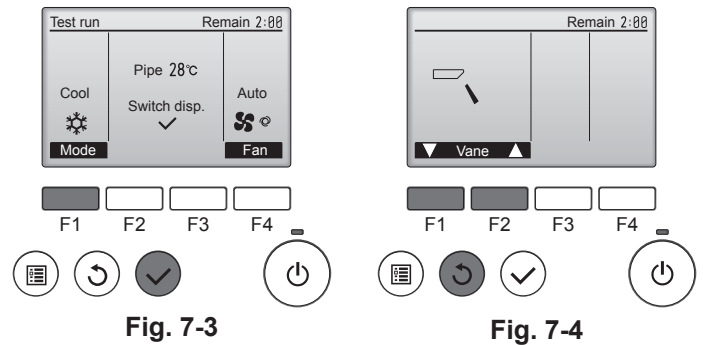
### Step 2 Switch the remote controller to "Test run".

- ① Select "Test run" from the Service menu, and press the [SELECT] button. (Fig. 7-1)
- ② Select "Test run" from the Test run menu, and press the [SELECT] button. (Fig. 7-2)
- ③ The test run operation starts, and the Test run operation screen is displayed.



### Step 3 Perform the test run and check the airflow temperature and auto vane.

- ① Press the [F1] button to change the operation mode. (Fig. 7-3)  
Cooling mode: Check that cool air blows from the unit.  
Heating mode: Check that warm air blows from the unit.
- ② Press the [SELECT] button to display the Vane operation screen, and then press the [F1] and [F2] buttons to check the auto vane. (Fig. 7-4)  
Press the [RETURN] button to return to the Test run operation screen.



### Step 4 Confirm the operation of the outdoor unit fan.

The speed of the outdoor unit fan is controlled in order to control the performance of the unit. Depending on the ambient air, the fan will rotate at a slow speed and will keep rotating at that speed unless the performance is insufficient. Therefore, the outdoor wind may cause the fan to stop rotating or to rotate in the opposite direction, but this is not a problem.

### Step 5 Stop the test run.

- ① Press the [ON/OFF] button to stop the test run. (The Test run menu will appear.)

Note: If an error is displayed on the remote controller, see the table below.

LCD	Description of malfunction	LCD	Description of malfunction	LCD	Description of malfunction
P1	Intake sensor error	P9	Pipe sensor error (dual-wall pipe)	E0 ~ E5	Communication error between the remote controller and the indoor unit
P2	Pipe sensor error (liquid pipe)	PA	Leakage error (refrigerant system)		
P4	Drain float switch connector disconnected (CN4F)	PL	Refrigerant circuit abnormal		
P5	Drain overflow protection operation	FB	Indoor controller board error	E6 ~ EF	Communication error between the indoor unit and the outdoor unit
P6	Freezing/overheating protection operation	U*, F*	Outdoor unit malfunction Refer to the wiring diagram for the outdoor unit.		
P8	Pipe temperature error	(* indicates an alphanumeric character excluding FB.)			

See the table below for the details of the LED display (LED 1, 2, and 3) on the indoor controller board.

LED1 (microcomputer power supply)	Indicates whether control power is supplied. Make sure that this LED is always lit.
LED2 (remote controller power supply)	Indicates whether power is supplied to the wired remote controller. The LED is lit only for the indoor unit that is connected to the outdoor unit that has an address of 0.
LED3 (indoor/outdoor unit communication)	Indicates whether the indoor and outdoor units are communicating. Make sure that this LED is always blinking.

#### 7.2.2. Using SW4 in outdoor unit

Refer to the outdoor unit installation manual.

#### 7.3. Self-check (Fig. 7-2)

- Refer to the installation manual that comes with each remote controller for details.

## 7. Test run

[Output pattern B] Errors detected by unit other than indoor unit (outdoor unit, etc.)

Check code	Symptom	Remark
E9	Indoor/outdoor unit communication error (Transmitting error) (Outdoor unit)	For details, check the LED display of the outdoor controller board.
UP	Compressor overcurrent interruption	
U3, U4	Open/short of outdoor unit thermistors	
UF	Compressor overcurrent interruption (When compressor locked)	
U2	Abnormal high discharging temperature/49C worked/insufficient refrigerant	
U1, Ud	Abnormal high pressure (63H worked)/Overheating safeguard operation	
U5	Abnormal temperature of heat sink	
U8	Outdoor unit fan safeguard stop	
U6	Compressor overcurrent interruption/Abnormal of power module	
U7	Abnormality of super heat due to low discharge temperature	
U9, UH	Abnormality such as overvoltage or voltage shortage and abnormal synchronous signal to main circuit/Current sensor error	
-	-	
-	-	
Others	Other errors (Refer to the technical manual for the outdoor unit.)	

- On wired remote controller  
Check code displayed in the LCD.

- If the unit cannot be operated properly after the above test run has been performed, refer to the following table to remove the cause.

Symptom		Cause
Wired remote controller	LED 1, 2 (PCB in outdoor unit)	
PLEASE WAIT	For about 2 minutes following power-on	After LED 1, 2 are lighted, LED 2 is turned off, then only LED 1 is lighted. (Correct operation)
PLEASE WAIT → Error code	After about 2 minutes has expired following power-on	Only LED 1 is lighted. → LED 1, 2 blink.
Display messages do not appear even when operation switch is turned ON (operation lamp does not light up).		Only LED 1 is lighted. → LED 1 blinks twice, LED 2 blinks once.
		<ul style="list-style-type: none"> <li>• For about 2 minutes following power-on, operation of the remote controller is not possible due to system start-up. (Correct operation)</li> <li>• Connector for the outdoor unit's protection device is not connected.</li> <li>• Reverse or open phase wiring for the outdoor unit's power terminal block (L1, L2, L3)</li> <li>• Incorrect wiring between indoor and outdoor units (incorrect polarity of S1, S2, S3)</li> <li>• Remote controller wire short</li> </ul>

### Note:

**Operation is not possible for about 30 seconds after cancellation of function selection. (Correct operation)**

For description of each LED (LED1, 2, 3) provided on the indoor controller, refer to the following table.

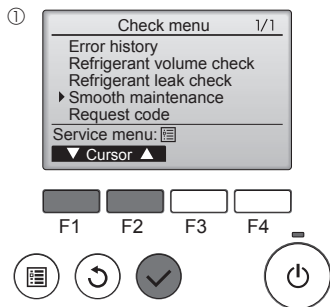
LED 1 (power for microcomputer)	Indicates whether control power is supplied. Make sure that this LED is always lit.
LED 2 (power for remote controller)	Indicates whether power is supplied to the remote controller. This LED lights only in the case of the indoor unit which is connected to the outdoor unit refrigerant address "0".
LED 3 (communication between indoor and outdoor units)	Indicates state of communication between the indoor and outdoor units. Make sure that this LED is always blinking.

## 8. Easy maintenance function

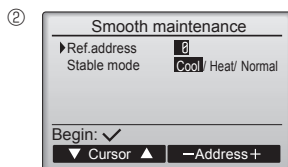
Maintenance data, such as the indoor/outdoor unit's heat exchanger temperature and compressor operation current can be displayed with "smooth maintenance".

\* This cannot be executed during test operation.

\* Depending on the combination with the outdoor unit, this may not be supported by some models.

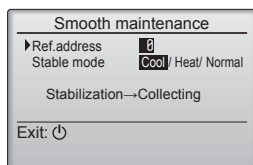


- Select "Service" from the Main menu, and press the [SELECT] button.
- Select "Check" with the [F1] or [F2] button, and press the [SELECT] button.
- Select "smooth maintenance" with the [F1] or [F2] button, and press the [SELECT] button.

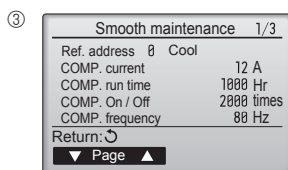


Select each item.

- Select the item to be changed with the [F1] or [F2] button.
- Select the required setting with the [F3] or [F4] button.  
 "Ref. address" setting ..... "0" - "15"  
 "Stable mode" setting..... "Cool" / "Heat" / "Normal"

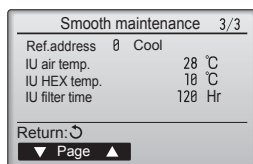
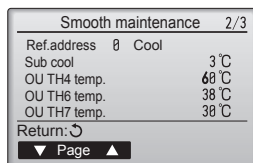


- Press the [SELECT] button, fixed operation will start.
- \* Stable mode will take approx. 20 minutes.



The operation data will appear.

The Compressor-Accumulated operating (COMP. run) time is 10-hour unit, and the Compressor-Number of operation times (COMP. On/Off) is a 100-time unit (fractions discarded)



**Navigating through the screens**

- To go back to the Main menu.....[MENU] button
- To return to the previous screen ..... [RETURN] button

# Содержание

1. Меры предосторожности.....	134	5. Дренажные трубы.....	138
2. Место установки.....	135	6. Электрические работы.....	138
3. Установка внутреннего прибора.....	135	7. Выполнение испытания.....	142
4. Прокладка труб хладагента.....	136	8. Функция простого техобслуживания.....	145

## Примечание:

Фраза “Проводной пульт дистанционного управления” в данном руководстве по установке относится к PAR-32MAA.

Сведения о других пультах дистанционного управления приводятся в руководстве по установке или руководстве по начальным настройкам, находящемся в этих коробках.

## 1. Меры предосторожности

- ▶ До установки прибора убедитесь, что Вы прочли все “Меры предосторожности”.
- ▶ Пожалуйста, перед подключением данного оборудования к системе электропитания, сообщите об этом своему поставщику электропитания или получите его разрешение.

### ⚠ Предупреждение:

Описывает меры предосторожности, необходимые для предотвращения получения травмы или гибели пользователя.

### ⚠ Осторожно:

Описывает меры предосторожности, необходимые для предотвращения повреждения прибора.

### ⚠ Предупреждение:

- Для выполнения установки прибора обратитесь к дилеру или сертифицированному техническому специалисту.
- При установочных работах следуйте инструкциям в Руководстве по установке и используйте инструменты и детали трубопроводов, специально предназначенные для использования с хладагентом, указанным в руководстве по установке наружного прибора.
- Прибор должен быть установлен согласно инструкциям, чтобы свести к минимуму риск повреждения от землетрясений, тайфунов или сильных порывов ветра. Неправильно установленный прибор может упасть и причинить повреждение или нанести травму.
- Прибор должен быть установлен на конструкции, способной выдержать его вес.
- Если кондиционер установлен в небольшом помещении, необходимо принять меры для предотвращения концентрации хладагента выше безопасных пределов в случае утечки хладагента. В случае утечки хладагента и превышения допустимой его концентрации из-за нехватки кислорода в помещении может произойти несчастный случай.
- Если во время работы прибора произошла утечка хладагента, проветрите помещение. При контакте хладагента с пламенем образуются ядовитые газы.
- Все электроработы должны выполняться квалифицированным техническим специалистом в соответствии с местными правилами и инструкциями, приведенными в данном Руководстве.
- Используйте для проводки указанные кабели. Убедитесь, что кабели надежно соединены, а оконечные соединения не натянуты. Никогда не соединяйте кабели внахлест (если иное не указано в прилагаемой документации). Несоблюдение этих инструкций может привести к перегреву или возгоранию.

После окончания установочных работ проинструктируйте пользователя относительно правил эксплуатации и обслуживания аппарата, а также ознакомьте с разделом “Меры предосторожности” в соответствии с информацией, приведенной в Руководстве по использованию аппарата, и выполните тестовый прогон аппарата для того, чтобы убедиться, что он работает нормально. Обязательно передайте пользователю на хранение экземпляры Руководства по установке и Руководства по эксплуатации. Эти Руководства должны быть переданы и последующим пользователям данного прибора.



: Указывает, что данная часть должна быть заземлена.

### ⚠ Предупреждение:

Внимательно прочтите текст на этикетках главного прибора.

- Установку необходимо выполнять в соответствии с действующими правилами электробезопасности.
- Крышка клеммной коробки должна быть надежно присоединена к прибору.
- Поврежденный кабель из комплекта поставки должен быть заменен в целях безопасности производителем, сервисным агентом или лицами, обладающими необходимой квалификацией.
- Используйте только те дополнительные принадлежности, на которые имеется разрешение от Mitsubishi Electric; для их установки обратитесь к дилеру или уполномоченному техническому специалисту.
- Пользователь не следует пытаться ремонтировать прибор или перемещать его на другое место.
- По окончании установки убедитесь в отсутствии утечки хладагента. Если хладагент проникнет в помещение и произойдет контакт его с пламенем обогревателя или переносного пищевого нагревателя, образуются ядовитых газов.
- При монтаже или перемещении, а также при обслуживании кондиционера используйте только указанный хладагент (R410A) для заполнения трубопроводов хладагента. Не смешивайте его ни с каким другим хладагентом и не допускайте наличия воздуха в трубопроводах. Наличие воздуха в трубопроводах может вызывать скачки давления, в результате которых может произойти взрыв или другие повреждения. Использование любого хладагента, отличного от указанного для этой системы, вызовет механическое повреждение, сбой в работе системы, или выход устройства из строя. В наихудшем случае, это может послужить серьезной преградой к обеспечению безопасной работы этого изделия.

### 1.1. Перед установкой (Окружающая среда)

#### ⚠ Осторожно:

- Не используйте прибор в нестандартной окружающей среде. Установка кондиционера в местах, подверженных воздействию пара, летучих масел (включая машинное масло) или сернистых испарений, местах с повышенной концентрацией соли (таких, как берег моря), может привести к значительному снижению эффективности работы прибора или повреждению его внутренних частей.
- Не устанавливайте прибор в местах, где возможна утечка, возникновение, приток или накопление горючих газов. Если горючий газ будет накапливаться вокруг прибора, это может привести к возникновению пожара или взрыву.
- Не держите пищевые продукты, растения, домашних животных в клетках, произведения искусства и точные инструменты в прямом потоке воздуха от внутреннего прибора или слишком близко к нему, поскольку эти предметы могут быть повреждены перепадами температуры или каплюющей водой.

- При уровне влажности в помещении выше 80% или закупорке дренажной трубы из внутреннего прибора может капать вода. Не устанавливайте внутренний прибор в местах, где такие капли могут вызвать какое-либо повреждение.
- При монтаже прибора в больнице или центре связи примите во внимание шумовое и электронное воздействие. Работа таких устройств, как инверторы, бытовые приборы, высокочастотное медицинское оборудование и оборудование радиосвязи может вызвать сбой в работе кондиционера или его поломку. Кондиционер также может повлиять на работу медицинского оборудования и медицинское обслуживание, работу коммуникационного оборудования, вызывая искажение изображения на дисплее.

### 1.2. Перед установкой или перемещением

#### ⚠ Осторожно:

- Будьте чрезвычайно осторожны при транспортировке приборов. Прибор должны переносить два или более человека, поскольку он весит не менее 20 кг. Не поднимайте прибор за упаковочные ленты. Используйте защитные перчатки, поскольку можно повредить руки ребристыми деталями или другими частями прибора.
- Утилизируйте упаковочные материалы надлежащим образом. Упаковочные материалы, такие, как гвозди и другие металлические или деревянные части, могут поранить или причинить другие травмы.
- Для предотвращения конденсации необходимо обеспечить теплоизоляцию трубы хладагента. Если труба хладагента не изолирована должным образом, при работе прибора будет образовываться конденсат.

- Оберните трубы теплоизоляционным материалом для предотвращения конденсации. Если дренажная труба установлена неправильно, это может вызвать протечку воды и испортить потолок, пол, мебель или другое имущество.
- Не мойте кондиционер водой. Это может привести к поражению электрическим током.
- Затягивайте все хомуты на муфтах в соответствии со спецификациями, используя ключ с регулируемым усилием. Слишком сильно затянутый хомут муфты по прошествии некоторого времени может сломаться.

### 1.3. Перед электрическими работами

#### ⚠ Осторожно:

- Обязательно установите автоматические выключатели. В противном случае возможно поражение электрическим током.
- Используйте для электропроводки стандартные кабели, рассчитанные на соответствующую мощность. В противном случае может произойти короткое замыкание, перегрев или пожар.
- При монтаже кабелей питания не прикладывайте растягивающих усилий.

- Обязательно заземлите прибор. Отсутствие надлежащего заземления может привести к поражению электрическим током.
- Используйте автоматические выключатели (прерыватель утечки тока на землю, разъемный плавкий предохранитель +В) и предохранитель корпуса) с указанным предельным током. Если предельный ток автоматического выключателя больше, чем необходимо, может произойти поломка или пожар.

### 1.4. Перед тестовым прогоном

#### ⚠ Осторожно:

- Включайте главный выключатель питания не позднее, чем за 12 часов до начала эксплуатации. Запуск прибора сразу после включения выключателя питания может серьезно повредить внутренние части.
- Перед началом эксплуатации проверьте, что все пульты, шитки и другие защитные части правильно установлены. Вращающиеся, нагретые или находящиеся под напряжением части могут нанести травмы.
- Не включайте кондиционер без установленного воздушного фильтра. Если воздушный фильтр не установлен, в приборе может накопиться пыль, что может привести к его поломке.

- Не прикасайтесь ни к каким выключателям влажными руками. Это может привести к поражению электрическим током.
- Не прикасайтесь к трубам с хладагентом голыми руками во время работы прибора.
- После остановки прибора обязательно подождите по крайней мере пять минут перед выключением главного выключателя питания. В противном случае возможна протечка воды или поломка прибора.

## 2. Место установки

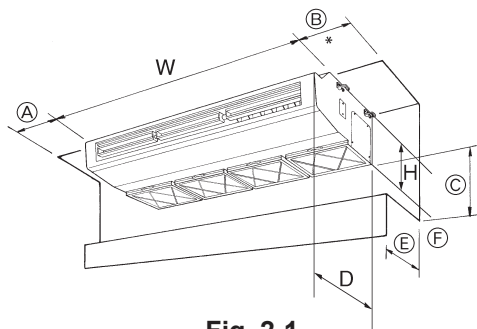


Fig. 2-1

### 2.1. Наружные размеры прибора (Внутренний прибор) (Fig. 2-1)

Выберите такое место для установки, которое обеспечивало бы следующие зазоры, необходимые для установки и техобслуживания.

Модель	W	D	H	Ⓐ	Ⓑ *	Ⓒ	Ⓓ
RP71	1136	650	296	Мин. 100	Мин. 100	Мин. 500	Макс. 250
RP125	1520	650	296	Мин. 100	Мин. 100	Мин. 500	Макс. 250

#### ⚠ Предупреждение:

Укрепите внутренний прибор на стене, которая является достаточно прочной, чтобы выдержать его вес.

\* Рекомендуем оставить более 300 мм для облегчения технического обслуживания.

Ⓓ Препятствие

## 3. Установка внутреннего прибора

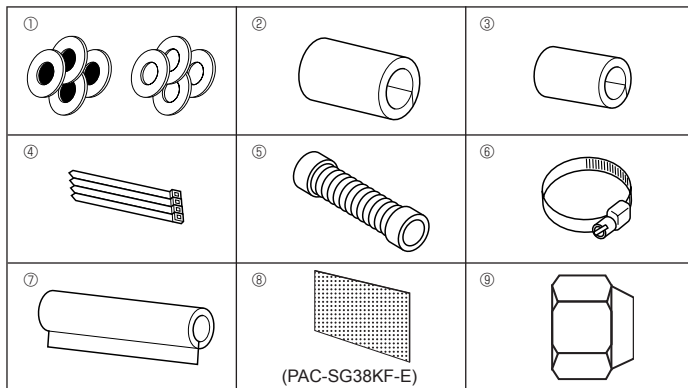


Fig. 3-1

### 3.1. Проверьте наличие дополнительных принадлежностей к внутреннему прибору (Fig. 3-1)

Внутренний прибор должен быть поставлен с перечисленными ниже запасными частями и приспособлениями (они помещаются в воздухозаборное устройство воздухозаборной решетки).

	Название приспособления	Количество	
①	Прокладка	4 шт. + 4 шт. (с изоляцией)	
②	Кожух трубы	1 шт. Большой размер (для газовой трубы)	
③	Кожух трубы	1 шт. Малый размер (для трубы жидкости)	
④	Лента	4 шт.	
⑤	Дренажный шланг	1 шт.	
⑥	Лента	2 шт.	
⑦	Кожух дренажной трубы	1 шт.	
⑧	Фильтрующий элемент	12 шт.	
⑨	Гайка раструбного стыка	RP125	1 (ø19,05)
		RP71	0

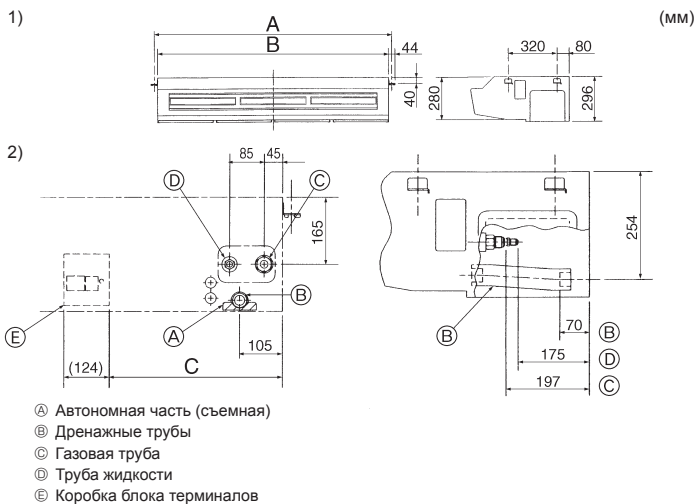


Fig. 3-2

- Ⓐ Автономная часть (съемная)
- Ⓑ Дренажные трубы
- Ⓒ Газовая труба
- Ⓓ Труба жидкости
- Ⓔ Коробка блока терминалов

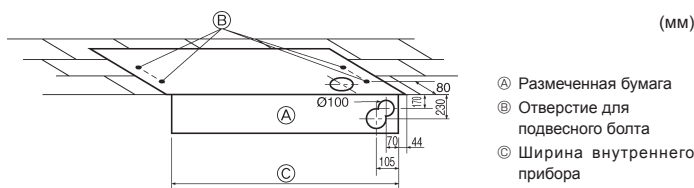


Fig. 3-3

- Ⓐ Размеченная бумага
- Ⓑ Отверстие для подвесного болта
- Ⓒ Ширина внутреннего прибора

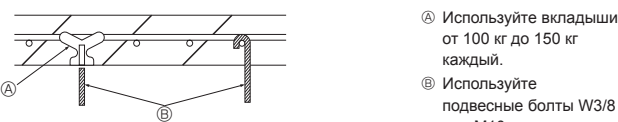


Fig. 3-4

- Ⓐ Используйте вкладыши от 100 кг до 150 кг каждый.
- Ⓑ Используйте подвесные болты W3/8 или M10 размера

### 3.2. Подготовка к установке (Fig. 3-2)

#### 1) Расстояния установки подвесного болта

Модель	A	B
RP71	1180	1136
RP125	1564	1520

#### 2) Месторасположение труб охлаждения и дренажных труб

Модель	C
RP71	542
RP125	422

#### 3) Выбор положения подвесных болтов и труб (Fig. 3-3)

Используя размеченную бумагу, которая поставлена специально для установки, выберите правильное положение подвесных болтов и труб и подготовьте соответствующие отверстия.

Укрепите подвесные болты, или используйте для установки болтов угловые скобы или деревянные квадратные блоки. (Fig. 3-4)

### 3. Установка внутреннего прибора

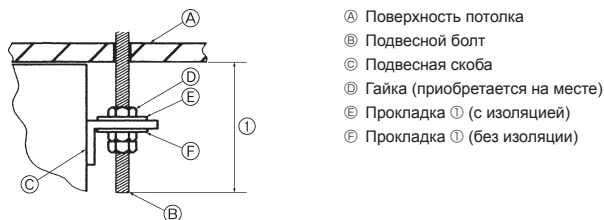
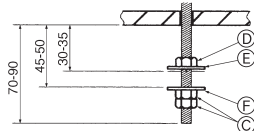
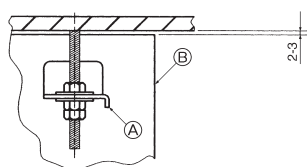
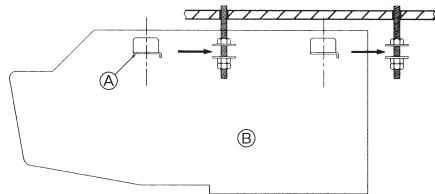


Fig. 3-5



(мм)



- А Скоба для подвешивания
- Б Прибор
- В Двойные гайки (приобретается на месте)
- Г Гайка (приобретается на месте)
- Д Прокладка ① (с изоляцией)
- Е Прокладка ① (без изоляции)

Fig. 3-6

#### 4) Подготовка внутреннего прибора (Fig. 3-5)

1. Установите подвесные болты (Приобретите на месте болты размера W3/8 или M10)  
Предусмотрите расстояние от потолка вниз (① в пределах 70-90 мм).
2. Снятие воздухозаборной решетки  
Продвиньте рукоятки, удерживающие воздухозаборную решетку (расположены в двух местах) назад, чтобы открыть воздухозаборную решетку.
3. Снятие боковой панели  
Удалите винты, удерживающие боковую панель (один винт с каждой стороны, справа и слева), затем продвиньте боковую панель вперед, чтобы удалить ее.

### 3.3. Установка внутреннего прибора (Fig. 3-6)

Применяйте правильный метод подвешивания прибора в соответствии с тем, какой материал укреплен на потолке.  
При отсутствии потолка

#### 1) Непосредственное подвешивание прибора (метод непосредственного подвешивания)

Порядок установки

1. Установите шайбу ① (с изоляцией) и гайки (приобретается на месте).
2. Установите шайбу ① (без изоляции) и гайки (приобретается на месте).
3. Навесьте прибор на подвесные болты.
4. Затяните гайки.

Проверьте, насколько хорошо подвешен прибор.

- Проверьте, что прибор находится в горизонтальном положении между его правой и левой стороной.
- Проверьте, что прибор находится под небольшим наклоном вниз от его передней стороны по отношению к его задней стороне.
- Убедитесь в том, что прибор не касается потолка.

### 4. Прокладка труб хладагента

#### 4.1. Меры предосторожности

##### 4.1.1. Для устройств, в которых используется хладагент R407C

- Не используйте имеющиеся трубы хладагента.
- Не используйте раздавленные, деформированные или обесцвеченные трубы. Внутренняя поверхность труб должна быть чистой и свободной от вредных серных смесей, окислителей, грязи, мусора, масел или влаги.
- Храните предназначенные для установки трубы в помещении, герметически закрытыми с обоих концов до припайки.
- Используйте в качестве масла охлаждения масло сложного или простого эфира или алкинбензол (небольшое количество) для покрытия раструбов и фланцевых соединений.
- Используйте для заполнения системы жидкий хладагент.
- Не используйте другие хладагенты, кроме хладагента R407C
- Используйте вакуумный насос с контрольным клапаном обратного хода.
- Не используйте инструменты, применяемые с обычными хладагентами.
- Не используйте зарядный баллон.
- Обращайтесь с инструментами особенно внимательно.
- Не пользуйтесь влагоотделителями, приобретенными в розничной сети.

##### 4.1.2. Для устройств, в которых используется хладагент R410A

- Используйте в качестве масла охлаждения для покрытия соединительных муфт масло сложного или простого эфира или алкинбензол (небольшое количество).
- Для соединения медных или медносплавных бесшовных труб, предназначенных для хладагента, используйте медный фосфор C1220. Используйте трубы для хладагента соответствующей толщины для каждого случая; значения толщины приведены в таблице ниже. Удостоверьтесь, что изнутри трубы чисты и не содержат никаких вредных загрязнителей, таких, как соединения серы, окислители, мелкий мусор или пыль.

#### ⚠ Предупреждение:

При монтаже или перемещении, а также при обслуживании кондиционера используйте только указанный хладагент (R410A) для заполнения трубопроводов хладагента. Не смешивайте его ни с каким другим хладагентом и не допускайте наличия воздуха в трубопроводах.

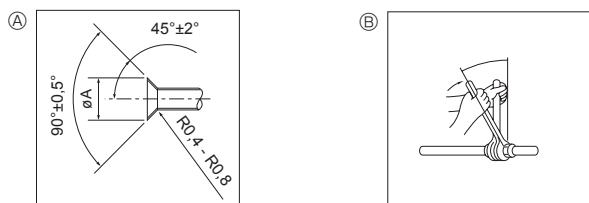
Наличие воздуха в трубопроводах может вызывать скачки давления, в результате которых может произойти взрыв или другие повреждения. Использование любого хладагента, отличного от указанного для этой системы, вызовет механическое повреждение, сбой в работе системы, или выход устройства из строя. В наихудшем случае, это может послужить серьезной преградой к обеспечению безопасной работы этого изделия.

	RP35, 50	RP60-140
Труба для жидкости	ø6,35 толщина 0,8 мм	ø9,52 толщина 0,8 мм
Труба для газа	ø12,7 толщина 0,8 мм	ø15,88 толщина 1,0 мм

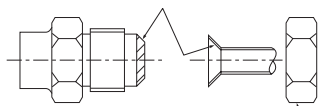
- Не используйте трубы более тонкие, чем указано выше.



## 4. Прокладка труб хладагента



Нанесите охлаждающее машинное масло на всю поверхность посадочного места раструба.



Обязательно используйте только гайки раструбных стыков, входящие в комплект поставки прибора.

Fig. 4-1

### А Раструбный стык - размеры

Медная труба O.D. (мм)	Размеры раструба, диаметр А (мм)
ø6,35	8,6 - 9,0
ø9,52	12,6 - 13,0
ø12,7	15,8 - 16,2
ø15,88	19,0 - 19,4
ø19,05	22,9 - 23,3

### Б Момент затяжки гайки раструбного стыка

Медная труба O.D. (мм)	Момент затяжки (Н·м)	Угол затяжки (Рекомендация)
ø6,35	14 - 18	60° - 90°
ø9,52	35 - 42	60° - 90°
ø12,7	50 - 58	30° - 60°
ø15,88	75 - 80	30° - 60°
ø19,05	100 - 140	20° - 35°

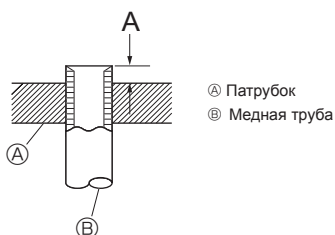
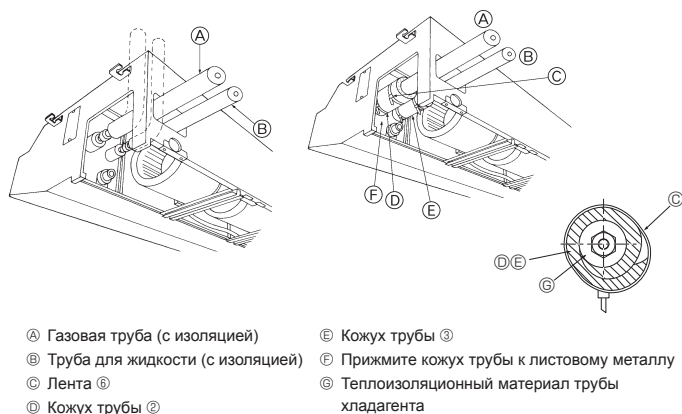


Fig. 4-2

Медная труба O.D. (мм)	А (мм)	
	Инструмент раструбного стыка для R22-R407C	Инструмент раструбного стыка для R410A
	Тип муфты	
ø6,35	0 - 0,5	1,0 - 1,5
ø9,52	0 - 0,5	1,0 - 1,5
ø12,7	0 - 0,5	1,0 - 1,5
ø15,88	0 - 0,5	1,0 - 1,5
ø19,05	0 - 0,5	1,0 - 1,5



- А Газовая труба (с изоляцией)
- Б Труба для жидкости (с изоляцией)
- В Лента
- Г Кожух трубы
- Д Прижмите кожух трубы к листовому металлу
- Е Теплоизоляционный материал трубы хладагента

Fig. 4-3

## 4.2. Внутренний прибор (Fig. 4-1)

- При использовании медных труб, имеющихся в продаже, оберните трубы для жидкости и газа имеющимися в продаже изоляционными материалами (с теплозащитой от 100 °C или выше, толщиной не менее 12 мм).
- Внутренняя часть дренажной трубы должна быть обернута в пенополиэтиленовый изолирующий материал (удельный вес 0,03; толщина 9 мм или более).
- Нанесите тонкий слой масла хладагента на контактную поверхность труб и соединений перед тем, как затягивать гайку с фланцем.
- Для затягивания трубных соединений используйте два гаечных ключа.
- Используйте детектор утечки или мыльный раствор для проверки утечки газа после завершения всех соединений.
- Используйте поставленное изоляционное трубное покрытие для изоляции соединений внутреннего прибора. Тщательно крепите изоляцию, следуя приведенным ниже инструкциям.
- Используйте надлежащие гайки раструбного стыка, подходящие к размеру трубы наружного прибора.

### Имеющийся размер трубы

	RP35, 50	RP60	RP71	RP100, 125, 140
Страна жидкости	ø6,35 ○	ø6,35	—	—
	ø9,52	ø9,52 ○	ø9,52 ○	ø9,52 ○
Страна газа	ø12,7 ○	—	—	—
	ø15,88	ø15,88 ○	ø15,88 ○	ø15,88 ○
	—	—	—	ø19,05

	P25	P35, 50, 60, 71	P100, 125, 140
Страна жидкости	ø6,35 ○	—	—
	—	ø9,52 ○	ø9,52 ○
Страна газа	ø12,7 ○	—	—
	—	ø15,88 ○	—
	—	—	ø19,05 ○

○ : Крепление гайки раструбного стыка к теплообменнику, выполненное на предприятии-изготовителе.

### ⚠ Предупреждение:

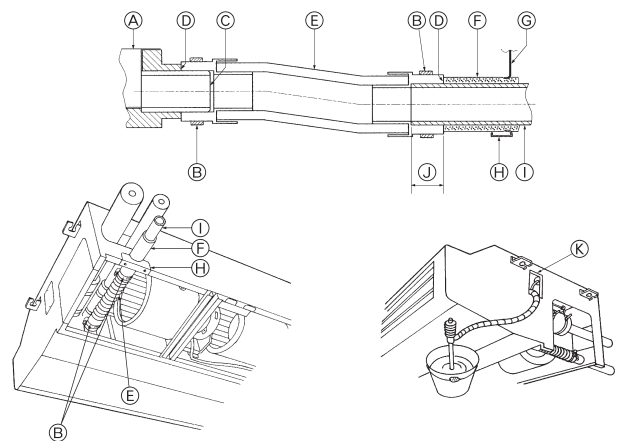
При установке прибора надежно подсоедините трубы подачи охлаждающей жидкости до запуска компрессора.

### Порядок установки

- Наденьте поставленный кожух трубы ② на трубу газа до тех пор, пока он не будет плотно прижат к листовому металлу внутри прибора.
- Наденьте поставленный кожух трубы ③ на трубу жидкости до тех пор, пока он не будет плотно прижат к листовому металлу внутри прибора.
- Закрепите кожухи труб ② и ③ с обоих концов (15-20 мм) поставленными лентами ④.

- После подсоединения труб хладагента к внутреннему прибору обязательно проверьте соединения труб на утечку газа с помощью азота. (Проверьте отсутствие утечки хладагента из труб хладагента во внутренний прибор.) Выполните тест на герметичность перед соединением запорного крана на наружном приборе и трубы хладагента. При выполнении данного теста после соединения крана и трубы, газ, используемый для проведения теста, будет вытекать из запорного крана и течь в наружный прибор, что приведет к ошибкам в работе.

## 5. Дренажные трубы



- Ⓐ Дренажный поддон
- Ⓑ Лента Ⓞ
- Ⓒ Прибор (Дренажное отверстие)
- Ⓓ Соответствие
- Ⓔ Дренажный шланг Ⓟ
- Ⓛ Кожух дренажной трубы Ⓡ
- Ⓜ Задняя панель
- Ⓨ Независимый элемент
- Ⓩ Установленная дренажная труба (VP25)
- ⓐ Минимальный предел вставки: 25 мм
- Ⓚ Смотровое отверстие

Fig. 5-1

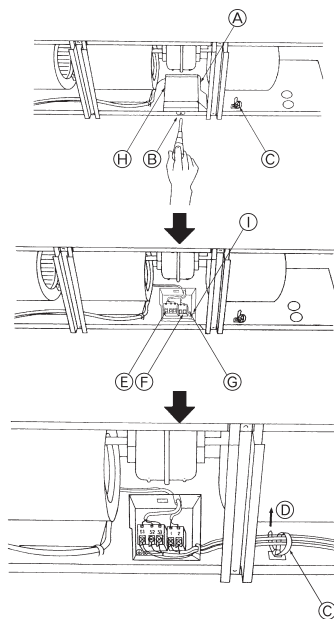
Порядок установки

1. Снимите независимый элемент (2 винта) внутреннего прибора.
2. Прикрепите ленту Ⓞ, входящую в комплект поставки, к дренажному шлангу Ⓟ.
3. Подсоедините дренажный шланг Ⓟ к дренажному отверстию прибора.
4. Подсоедините полевую дренажную трубу (VP 25/Трубы из ПВХ, O.D. Ⓞ32) к дренажному шлангу Ⓟ.
5. Затяните ленту Ⓞ в 2 местах.
6. Оберните трубу комплектным кожухом дренажной трубы Ⓡ.
7. Установите на место независимый элемент.
8. Проверьте правильность дренирования.

\* Наполните дренажный поддон приблизительно 1 литром воды из смотрового отверстия.

\* После проверки на правильность действия дренажной системы установите на место крышку порта доступа к датчику дренажного трубопровода.

## 6. Электрические работы



- Ⓐ Крышка блока терминалов
- Ⓑ Установочные винты
- Ⓒ Клемма проводки
- Ⓓ Затянуть
- Ⓔ Блок терминалов соединения внутреннего и наружного приборов
- Ⓛ Блок терминалов для подключения пульта дистанционного управления
- Ⓜ Соединитель кабеля заземления
- Ⓨ Коробка блока терминалов
- ⓐ Сервисный вход для проводов

Fig. 6-1

### 6.1. Электропроводка (Fig. 6-1)

Порядок прокладки проводки

1. Вставьте все электропровода в прибор.
2. Удалите крышку блока терминалов (1 винт).
3. Надежно соедините провода с соответствующими клеммами.
4. Установите на место крышку блока терминалов.
5. Зафиксируйте электропровода местным проводным зажимом, расположенным с правой стороны соединительной коробки.

**⚠ Предупреждение:**

Никогда не подсоединяйте внахлест силовой кабель или соединительный кабель внешнего питания. Это может привести к задымлению, возгоранию или неисправности.

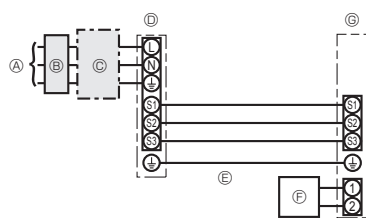
### 6.1.1. Питание на внутренний прибор подается от наружного прибора

Имеются следующие шаблоны подключения.

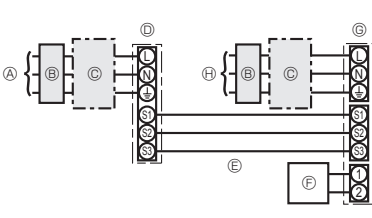
Конструкция блока питания внешнего прибора зависит от модели.

#### Система 1:1

<Для моделей без обогревателя>



<Для моделей с обогревателем>



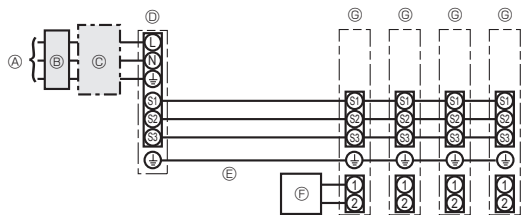
- Ⓐ Источник электропитания наружного прибора
- Ⓑ Прерыватель утечки на землю
- Ⓒ Прерыватель проводной цепи или изолирующий выключатель
- Ⓓ Наружный прибор
- Ⓔ Соединительные провода внутреннего прибора/наружного прибора
- Ⓛ Пульт дистанционного управления
- Ⓜ Внутренний прибор
- Ⓨ Источник электропитания обогревателя

\* Прикрепите бирку А, прилагаемую к руководствам, около каждой схемы подключения для внутреннего и наружного приборов.

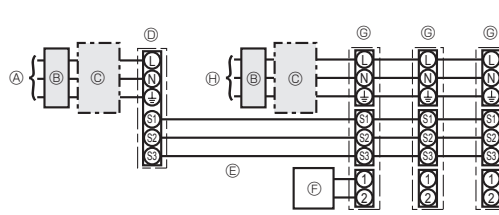
## 6. Электрические работы

### Одновременная двойная/тройная/четверная система

<Для моделей без обогревателя>



<Для моделей с обогревателем>



- Ⓐ Источник электропитания наружного прибора
- Ⓑ Прерыватель утечки на землю
- Ⓒ Прерыватель проводной цепи или изолирующий выключатель
- Ⓓ Наружный прибор
- Ⓔ Соединительные провода внутреннего прибора/наружного прибора
- Ⓕ Пульт дистанционного управления
- Ⓖ Внутренний прибор
- Ⓗ Источник электропитания обогревателя

\* Прикрепите бирку А, прилагаемую к руководствам, около каждой схемы подключения для внутреннего и наружного приборов.

Модель внутреннего прибора		PCA
Электропитание внутреннего прибора (Обогреватель)		-
Входная мощность внутреннего прибора (Обогреватель)		*1
Главный выключатель (Прерыватель)		-
Электропровода Провод № x размер (мм²)	Электропитание внутреннего прибора (Обогреватель)	-
	Заземление питания внутреннего прибора (Обогреватель)	-
	Внутренний прибор-Наружный прибор	3 × 1,5 (полярный)
	Заземление внутреннего/наружного прибора	1 × Мин.1,5
Мощность Цепи	Пульт дистанционного управления - Внутренний прибор	*3 2 × 0,3 (неполярный)
	Внутренний прибор (Обогреватель) L-N	*4 -
	Внутренний прибор-Наружный прибор S1-S2	*4 AC 230 V
	Внутренний прибор-Наружный прибор S2-S3	*4 DC 24 V
	Пульт дистанционного управления - Внутренний прибор	*4 DC 12 V

\*1. Используйте неплавкий предохранитель (NF) или выключатель тока утечки на землю (NV) с расстоянием между контактами по крайней мере 3 мм для каждого полюса.

\*2. <Для внешних приборов типов 25-140>

Макс. 45 м

Если используется 2,5 мм², макс. 50 м

Если используется 2,5 мм² и отдельный S3, макс. 80 м

Для применения PUNZ-RP100/125/140 YNA используйте экранированные провода. Экранированную часть необходимо заземлить к внутреннему прибору ИЛИ наружному прибору, НО НЕ к обоим приборам.

<Для внешнего прибора типа 200/250>

Макс. 18 м

Если используется 2,5 мм², макс. 30 м

Если используется 4 мм² и отдельный S3, макс. 50 м

Если используется 6 мм² и отдельный S3, макс. 80 м

\*3. К аксессуару пульта дистанционного управления прилагается провод 10 м. Макс. 500 м

\*4. Величины HE всегда измерены относительно земли.

Разница потенциалов выводов S3 и S2 составляет 24 В постоянного тока. Между выводами S3 и S1 нет электрической изоляции с помощью трансформатора или другого устройства.

Примечания:

1. Диаметр проводов должен соответствовать применимым местным и национальным нормам.
2. Силловые кабели и кабели соединения Внутреннего/Наружного прибора не должны быть легче экранированного гибкого провода из полихлоропрена (модель 60245 IEC 57).
3. Длина устанавливаемого кабеля заземления должна превышать длину других кабелей.

### 6.1.2. Отдельные источники электропитания для внутреннего прибора/наружного прибора (Только для применения PUNZ)

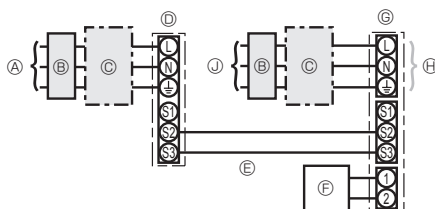
Имеются следующие шаблоны подключения.

Конструкция блока питания внешнего прибора зависит от модели.

#### Система 1:1

<Для моделей без обогревателя>

\* Требуется дополнительный сменный комплект проводки.



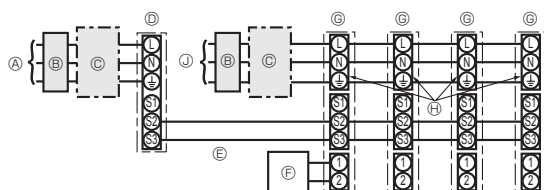
- Ⓐ Источник электропитания наружного прибора
- Ⓑ Прерыватель утечки на землю
- Ⓒ Прерыватель проводной цепи или изолирующий выключатель
- Ⓓ Наружный прибор
- Ⓔ Соединительные провода внутреннего прибора/наружного прибора
- Ⓕ Пульт дистанционного управления
- Ⓖ Внутренний прибор
- Ⓗ Дополнительно
- Ⓙ Источник электропитания внутреннего прибора

\* Прикрепите бирку В, прилагаемую к руководствам, около каждой схемы подключения для внутреннего и наружного приборов.

### Одновременная двойная/тройная/четверная система

<Для моделей без обогревателя>

\* Требуется дополнительные комплекты для замены проводов.



- Ⓐ Источник электропитания наружного прибора
- Ⓑ Прерыватель утечки на землю
- Ⓒ Прерыватель проводной цепи или изолирующий выключатель
- Ⓓ Наружный прибор
- Ⓔ Соединительные провода внутреннего прибора/наружного прибора
- Ⓕ Пульт дистанционного управления
- Ⓖ Внутренний прибор
- Ⓗ Дополнительно
- Ⓙ Источник электропитания внутреннего прибора

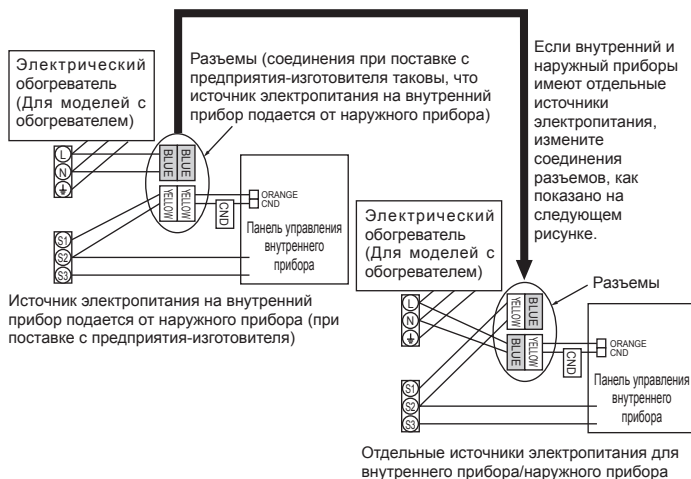
\* Прикрепите бирку В, прилагаемую к руководствам, около каждой схемы подключения для внутреннего и наружного приборов.

## 6. Электрические работы

Если у внутреннего и наружного приборов различные источники электропитания, см. таблицу ниже. Если используется дополнительный сменный комплект проводки, измените проводку распределительной коробки внутреннего прибора в соответствии с рисунком справа и настройки микропереключателя панели управления наружного прибора.

	Спецификации внутреннего прибора								
Комплект клемм источника электропитания внутреннего прибора (дополнительно)	Требуется								
Изменение соединения разъема распределительной коробки внутреннего прибора	Требуется								
Бирка, прикрепленная около каждой схемы подключения для внутреннего и наружного приборов	Требуется								
Настройка микропереключателя наружного прибора (только при использовании отдельных источников электропитания для внутреннего прибора/наружного прибора)	<table border="1"> <tr> <td>ON</td> <td></td> <td></td> <td>3</td> </tr> <tr> <td>OFF</td> <td>1</td> <td>2</td> <td></td> </tr> </table> (SW8)	ON			3	OFF	1	2	
ON			3						
OFF	1	2							

\* Имеется три типа бирок (бирки А, В и С). Прикрепите соответствующие бирки к блокам в соответствии с методом подключения проводки.



Модель внутреннего прибора		PCA
Электропитание внутреннего прибора		~/N (однофазный), 50 Hz, 230 V
Входная мощность внутреннего прибора		16 A
Главный выключатель (Прерыватель)		
Электропровода Провод № x размер (мм²)	Электропитание внутреннего прибора	2 × Мин. 1,5
	Заземление питания внутреннего прибора	1 × Мин. 1,5
	Внутренний прибор-Наружный прибор	2 × Мин. 0,3
	Заземление внутреннего/наружного прибора	—
Мощность Цепи	Пульт дистанционного управления - Внутренний прибор	*3 2 × 0,3 (неполярный)
	Внутренний прибор L-N	*4 AC 230 V
	Внутренний прибор-Наружный прибор S1-S2	*4 —
	Внутренний прибор-Наружный прибор S2-S3	*4 DC 24 V
	Пульт дистанционного управления - Внутренний прибор	*4 DC 12 V

\*1. Используйте неплавкий предохранитель (NF) или выключатель тока утечки на землю (NV) с расстоянием между контактами по крайней мере 3 мм для каждого полюса.

\*2. Макс. 120 м

Для применения PUNZ-RP100/125/140 YHA используйте экранированные провода. Экранированную часть необходимо заземлить к внутреннему прибору ИЛИ наружному прибору, НО НЕ к обоим приборам.

\*3. К аксессуару пульта дистанционного управления прилагается провод 10 м. Макс. 500 м

\*4. Величины HE всегда измерены относительно земли.

**Примечания:**

- Диаметр проводов должен соответствовать применимым местным и национальным нормам.
- Силовые кабели и кабели соединения Внутреннего/Наружного прибора не должны быть легче экранированного гибкого провода из полихлоропрена (модель 60245 IEC 57).
- Длина устанавливаемого кабеля заземления должна превышать длину других кабелей.

**Предупреждение:**

Никогда не подсоединяйте внахлест силовой кабель или соединительный кабель внешнего питания. Это может привести к задымлению, возгоранию или неисправности.

### 6.2. Пульт дистанционного управления (Fig. 6-2)

#### Для проводного пульта дистанционного управления

##### 1) Настройка двух пультов дистанционного управления

Если подключены два пульта дистанционного управления, настройте один как "Main" (Главный), а другой - как "Sub" (Подчиненный). Процедуры настройки приводятся в разделе "Выбор функций пульта дистанционного управления" в руководстве по эксплуатации внутреннего прибора.

## 6. Электрические работы

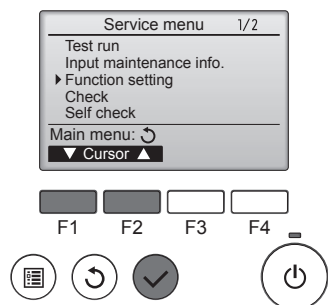


Fig. 6-2

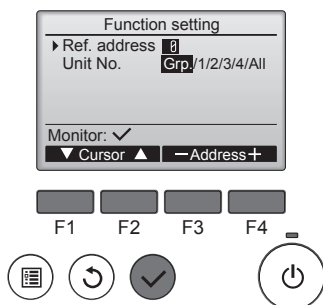


Fig. 6-3

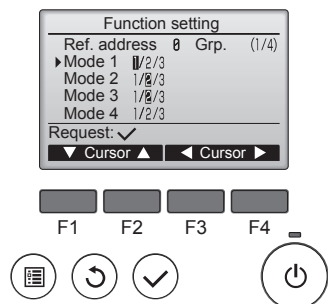


Fig. 6-4

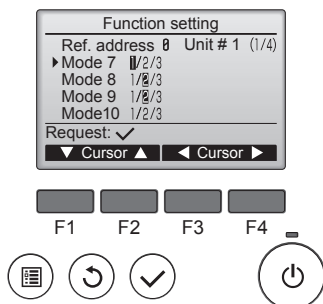


Fig. 6-5

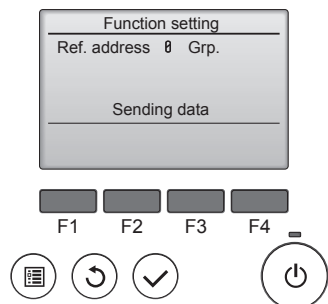


Fig. 6-6

### Примечание:

- При необходимости, выполните описанные выше настройки для блоков Mr. Slim.
- В таблице 1 перечислены возможные настройки для всех номеров режимов. Подробная информация о начальных настройках, номерах режимов и настройке номеров для внутренних блоков приведена в “Руководстве по монтажу”.
- Запишите настройки всех функций, если после монтажа начальные настройки были изменены.

Таблица 1. Возможные настройки функций

Номер режима	Режим	Настройки	Номер настройки	Номера блоков
01	Автоматическое восстановление после сбоя питания	Отключено	1	Установка параметра “Гр.” (Гр.) для номера блока. Эти настройки относятся ко всем подключенным внутренним блокам.
		Включено (После восстановления питания требуется четыре минуты ожидания.)	2	
02	Выбор термистора (измерение температуры в помещении)	Усредненное значение показаний температуры включенных внутренних блоков	1	
		Термистор на внутреннем блоке, к которому подключен контроллер дистанционного управления (неизменяемое значение)	2	
		Встроенный датчик на контроллере дистанционного управления	3	
03	Подключение LOSSNAY	Не подключен	1	
		Подключен (без забор наружного воздуха внутренними блоками)	2	
		Подключен (с забором наружного воздуха внутренними блоками)	3	
04	Напряжение питания	240 В	1	
		220 В, 230 В	2	
07	Сигнализация замены фильтра	100 часов	1	Выберите “1, 2, 3, 4 или Все” в качестве номера блока. Эти настройки относятся к каждому внутреннему блоку.
		2500 часов	2	
		Не отображается	3	
08	Скорость вентилятора	Тихий режим (или стандартный)	1	• Если в качестве номера блока выбрано “1, 2, 3 или 4”, настройки относятся только к указанному номеру блока независимо от количества подключенных внутренних блоков (от одного до четырех).
		Стандартный (или Высокий потолок 1)	2	
		Высокий потолок (или Высокий потолок 2)	3	
09	Выпуск	4 направления	1	• Если в качестве номера блока выбрано “All” (Все), настройки относятся ко всем подключенным внутренним блокам независимо от количества подключенных внутренних блоков (от одного до четырех).
		3 направления	2	
		2 направления	3	
10	Дополнительное оборудование (высокоэффективный фильтр)	Нет	1	
		Да	2	
11	Угол	Лопатки отсутствуют (или установлено значение №3)	1	
		Лопатки установлены (установлено значение №1)	2	
		Лопатки установлены (установлено значение №2)	3	

## 6.3. Установки функций

### 6.3.1. Функциональная настройка прибора (Выбор функций прибора)

#### 1) Для проводного пульта дистанционного управления

- (Fig. 6-2)
  - Выберите в Главном меню пункт “Service” (Сервисное обслуживание) и нажмите кнопку [ВЫБОР].
  - С помощью кнопки [F1] или [F2] выберите пункт “Function settings” (Настройка функций) и нажмите кнопку [ВЫБОР].
- (Fig. 6-3)
  - Установите адреса блоков охлаждения внутренних блоков и номера блоков с помощью кнопок [F1]–[F4], а затем нажмите кнопку [ВЫБОР], чтобы подтвердить настройки.

**<Проверка внутреннего блока №.>**  
 Когда будет нажата кнопка [ВЫБОР], запустится вентилятор соответствующего внутреннего блока. Если работает один общий блок или когда работают все блоки, на всех внутренних блоках для выбранного адреса хладагента будут запущены вентиляторы.

- (Fig. 6-4)
  - После завершения сбора данных внутренних блоков текущие настройки будут отмечены подсветкой. Не подсвеченные пункты указывают, что настройки функций выполнены не были. Вид экрана зависит от параметра “Устр. №”.
- (Fig. 6-5)
  - С помощью кнопок [F1] и [F2] переместите курсор для выбора номера режима и измените номер кнопкой [F3] или [F4].
- (Fig. 6-6)
  - После завершения настройки нажмите кнопку [ВЫБОР], чтобы отправить выбранные значения из контроллера дистанционного управления во внутренние блоки.
  - После успешного завершения передачи повторно откроется экран Настройка функций.

## 6. Электрические работы

Таблица функций

Выберите номер прибора 00

Режим	Установки	Номер режима	Номер установки	Первоначальная настройка	установка
Автоматическое восстановление после сбоя питания	Отсутствует	01	1	*2	
	Имеется *1		2	*2	
Определение температуры в помещении	Средняя величина при работе внутреннего прибора	02	1	○	
	Устанавливается с пульта дистанционного управления внутреннего прибора		2		
	Внутренний датчик пульта дистанционного управления		3		
Подсоединяемость LOSSNAY	Не поддерживается	03	1	○	
	Поддерживается (внутренний прибор не оборудован механизмом всасывания наружного воздуха)		2		
	Поддерживается (внутренний прибор оборудован механизмом всасывания наружного воздуха)		3		
Напряжение в сети электропитания	240 В	04	1		
	220 В, 230 В		2	○	

Выберите номера прибора от 01 до 03 или все приборы (AL [проводной пульт дистанционного управления] / 07 [беспроводной пульт дистанционного управления])

Режим	Установки	Номер режима	Номер установки	Первоначальная настройка	установка
Знак фильтра	100 часов	07	1	○	
	2500 часов		2		
	Нет индикатора знака фильтра		3		

\*1 При возобновлении подачи электропитания кондиционер запустится через 3 минуты.

\*2 Первоначальная настройка устройства автоматического включения после сбоя электропитания зависит от схемы подсоединения внешнего прибора.

## 7. Выполнение испытания

### 7.1. Перед пробным прогоном

- ▶ После завершения установки, прокладки труб и электропроводки внутреннего и наружного приборов проверьте отсутствие утечки хладагента, слабых соединений кабеля питания или проводов управления и неправильной полярности, а также убедитесь, что все фазы питания подключены.
- ▶ Измерьте сопротивление между терминалами источника электропитания и заземлением с использованием 500-вольтного меггера и убедитесь, что сопротивление составляет не менее 1,0 МΩ.

- ▶ Запрещается выполнять этот замер на терминалах проводах управления (цепь низкого напряжения).

⚠ Предупреждение:

Не пользуйтесь кондиционером воздуха, если сопротивление изоляции ниже 1,0 МΩ.

Сопротивление изоляции

### 7.2. Выполнение испытания

#### 7.2.1. Использование проводного пульта дистанционного управления.

- Перед пробным пуском внимательно прочтите руководство по эксплуатации. (Особенно это касается указаний по безопасности)

#### Шаг 1 Включите питание.

- Пульт дистанционного управления: система переходит в режим запуска, индикатор питания (зеленый) пульта дистанционного управления начинает мигать и отображается сообщение "PLEASE WAIT (Ждите)". В этот момент пульт дистанционного управления недоступен для операций. Перед использованием пульта дистанционного управления дождитесь удаления с дисплея сообщения "PLEASE WAIT (Ждите)". Сообщение "PLEASE WAIT (Ждите)" отображается в течение приблизительно 2 минут после включения питания.
  - Плата управления внутреннего блока: индикатор 1 загорается, индикатор 2 загорается (если адрес равен 0) или гаснет (если адрес не равен 0), индикатор 3 мигает.
  - Плата управления наружного блока: индикатор 1 (зеленый) и индикатор 2 (красный) загораются. (После завершения процедуры запуска системы индикатор 2 гаснет.) Если на плате управления наружного блока используется цифровой дисплей, каждую секунду попеременно отображаются символы [- ] и [- ].
- Если после выполнения процедур в шаге 2 и после него операции не выполняются надлежащим образом, проверьте и устраните следующие проблемы. (Симптомы, описанные ниже, могут проявляться в режиме пробного пуска. "Startup (Запуск)" в таблице обозначается индикацией, описанной выше.)

Симптомы в режиме пробного пуска		Причина
Дисплей пульта дистанционного управления	Индикация ПЛАТЫ НАРУЖНОГО БЛОКА < > обозначает цифровой дисплей.	
На пульте дистанционного управления отображается сообщение "PLEASE WAIT (Ждите)", пульт для операций недоступен.	После отображения сообщения "Startup (Запуск)" загорается только зеленый индикатор. <00>	• После включения питания в течение 2 минут во время запуска системы на дисплее будет отображаться сообщение "PLEASE WAIT" (Ждите). (Нормальный режим)
После включения питания в течение 3 минут отображается сообщение "PLEASE WAIT (Ждите)", затем отображается код ошибки.	После отображения сообщения "Startup (Запуск)" попеременно вспыхивают однократно зеленый и однократно красный индикаторы. <F1>	• Неверное подключение к клеммной колодке наружного блока (R, S, T и S <sub>1</sub> , S <sub>2</sub> , S <sub>3</sub> .)
	После отображения сообщения "Startup (Запуск)" попеременно вспыхивают однократно зеленый и дважды красный индикаторы. <F3, F5, F9>	• Разомкнут контакт защитного устройства наружного блока.
Дисплей не загорается даже при включении питания на пульте дистанционного управления. (Не загорается индикатор работы.)	После отображения сообщения "Startup (Запуск)" попеременно вспыхивают дважды зеленый и однократно красный индикаторы. <EA, Eb>	• Неверное подключение проводов между внутренним и наружным блоками (неверная полярность подключения S <sub>1</sub> , S <sub>2</sub> , S <sub>3</sub> ). • Провод передачи данных пульта дистанционного управления закорочен.
	После отображения сообщения "Startup (Запуск)" загорается только зеленый индикатор. <00>	• Отсутствует наружный блок с адресом 0. (Адрес не равен 0.) • Разомкнут провод передачи данных пульта дистанционного управления.
Дисплей загорается, но вскоре гаснет даже при работе с пультом дистанционного управления.	После отображения сообщения "Startup (Запуск)" загорается только зеленый индикатор. <00>	• После отмены выбора функции, операции недоступны в течение 30 секунд. (Нормальный режим)

## 7. Выполнение испытания

### Шаг 2 Включите на пульте дистанционного управления режим "Test run" (Пробный пуск).

- Выберите режим "Test run" (Пробный пуск) в Сервисном меню и нажмите кнопку [ВЫБОР]. (Fig. 7-1)
- Выберите режим "Test run" (Пробный пуск) в Меню пробного пуска и нажмите кнопку [ВЫБОР]. (Fig. 7-2)
- Запускается режим "Пробный пуск" и отображается экран пробного пуска.

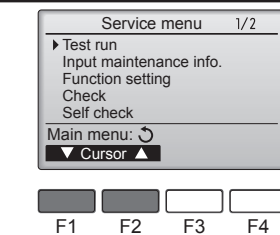


Fig. 7-1

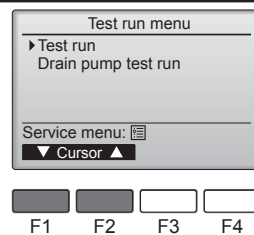


Fig. 7-2

### Шаг 3 Выполните пробный пуск и проверьте температуру воздушного потока и автоматическую работу жалюзи.

- Для изменения режима работы нажмите кнопку [F1]. (Fig. 7-3)  
Режим охлаждения: убедитесь, что из блока поступает охлажденный воздух.  
Режим нагрева: убедитесь, что из блока поступает нагретый воздух.
- Нажмите кнопку [ВЫБОР] для отображения экрана работы жалюзи, затем нажмите кнопку [F1] и [F2] для проверки автоматического режима работы жалюзи. (Fig. 7-4)  
Нажмите кнопку [ВОЗВРАТ] для возврата к экрану пробного пуска.

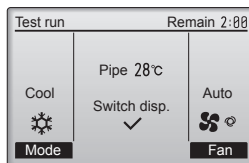


Fig. 7-3

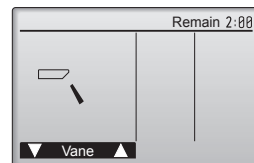


Fig. 7-4

### Шаг 4 Проверка работы вентилятора наружного блока.

Скорость вращения вентилятора наружного блока регулируется для управления работой устройства. В зависимости от атмосферных условий вентилятор вращается с низкой скоростью, пока этого будет достаточно для нормальной работы. Наружный ветер может привести к остановке вентилятора или его вращению в обратном направлении, однако это не является проблемой.

### Шаг 5 Остановка пробного пуска.

- Для остановки пробного пуска нажмите кнопку [ВКЛ/ВЫКЛ]. (Отображается меню Пробного пуска.)  
Примечание. Если на дисплее отображается код ошибки, см. таблицу ниже.

ЖК-дисплей	Описание сбоя	ЖК-дисплей	Описание сбоя	ЖК-дисплей	Описание сбоя
P1	Ошибка датчика впуска	P9	Ошибка датчика трубопровода (двойной трубопровод)	E0 ~ E5	Ошибка связи между пультом дистанционного управления и внутренним блоком
P2	Ошибка датчика трубопровода (трубопровод для жидкости)	PA	Ошибка протечки (система хладагента)		
P4	Разъединен контакт переключателя дренажного слива (CN4F)	PL	Ненадлежащее функционирование контура хладагента		
P5	Защита от переполнения дренажной системы	FB	Ошибка платы управления внутреннего блока	E6 ~ EF	Ошибка связи между внутренним и наружным блоками
P6	Защита системы охлаждения/нагрева	U*, F* (* обозначение буквенно-цифрового символа, кроме FB.)	Нарушение работы наружного блока. См. схему соединений наружного блока.		
P8	Ошибка температуры трубопровода				

Описание индикаторов дисплея см. в таблице ниже (индикаторы 1, 2 и 3) на плате управления внутреннего блока.

Индикатор 1 (питание микрокомпьютера)	Индикатор подачи питания. Этот индикатор должен гореть постоянно.
Индикатор 2 (питание пульта дистанционного управления)	Указывает, подается ли питание на проводной пульт дистанционного управления. Данный индикатор загорается только для внутреннего блока, подключенного к наружному блоку и имеющего адрес 0.
Индикатор 3 (связь внутреннего/наружного блоков)	Указывает на связь между внутренним и наружным блоками. Этот индикатор должен постоянно мигать.

### 7.2.2. Использование SW4 в наружном блоке

Смотрите руководство по установке наружного прибора.

### 7.3. Самодиагностика (Fig. 7-2)

- Подробное описание см. в руководстве по установке, прилагаемого к пульту дистанционного управления.

## 7. Выполнение испытания

[Шаблон вывода В] Ошибки, обнаруженные прибором, кроме внутреннего прибора (наружный прибор и т.д.)

Код проверки	Признак	Примечание
E9	Ошибка связи внутреннего/наружного прибора (Ошибка передачи) (Наружный прибор)	Подробнее см. ЖК-дисплей платы наружного контроллера.
UP	Прерывание компрессора по перегрузке по току	
U3, U4	Размыкание/короткое замыкание термисторов наружного прибора	
UF	Прерывание компрессора по перегрузке по току (Когда компрессор заблокирован)	
U2	Ненормально высокая температура нагнетания/49C сработало/недостаточно хладагента	
U1, Ud	Ненормально высокое давление (63H сработало)/Работа в режиме защиты от перегрева	
U5	Ненормальная температура теплоотвода	
U8	Аварийный останов вентилятора наружного прибора	
U6	Прерывание компрессора по перегрузке по току/Неисправность в модуле электропитания	
U7	Ненормально высокое тепло по причине низкой температуры нагнетания	
U9, UN	Неисправность, например, перенапряжение или недостаток напряжения и ненормальный синхронный сигнал к главной цепи/Ошибка датчика тока	
-	-	
-	-	
Прочее	Другие ошибки (См. техническое руководство наружного прибора.)	

- На проводном пульте дистанционного управления  
Проверьте код, отображенный на ЖК-дисплее.
- Если прибор не работает должным образом после проведения пробного прогона, устраните неисправность, обратившись к нижеприведенной таблице.

Симптом		СИД 1, 2 (печатная плата на наружном приборе)	Причина
Проводной пульт дистанционного управления			
PLEASE WAIT	В течение приблизительно 2 минут после включения питания.	После загорания СИД 1, 2, СИД 2 выключается, горит только СИД 1. (Правильная работа)	• В течение приблизительно 2 минут после включения питания работа пульта дистанционного управления невозможна вследствие запуска системы. (Правильная работа)
PLEASE WAIT → Код ошибки	По истечении приблизительно 2 минут после включения питания.	Горит только СИД 1. → СИД 1, 2 мигают.	• Не подсоединен соединитель защитного устройства наружного прибора. • Обратное подсоединение фаз или неполнофазный режим электропроводки на блоке терминалов питания наружного прибора (L1, L2, L3).
Сообщения об ошибках не выводятся на дисплей, даже если выключатель работы находится в положении ON (Вкл.) (не горит лампочка работы).		Горит только СИД 1. → СИД 1 мигает дважды, СИД 2 мигает один раз.	• Неправильная электропроводка между внутренним и наружным приборами (неправильная полярность S1, S2, S3) • Короткое замыкание провода пульта дистанционного управления

### Примечание:

**В течение приблизительно 30 секунд после отмены выбора функции управление невозможно. (Правильная работа)**

Описание каждого СИДа (СИД1, 2, 3) на пульте управления внутреннего прибора приводится в таблице ниже.

СИД 1 (питание микрокомпьютера)	Показывает наличие питания системы управления. Убедитесь в том, что данный СИД горит постоянно.
СИД 2 (питание пульта дистанционного управления)	Показывает наличие питания пульта дистанционного управления. Данный СИД загорается только в том случае, когда внутренний прибор подсоединен к адресу "0" хладагента наружного прибора.
СИД 3 (связь между внутренним и наружным приборами)	Показывает состояние связи между внутренним и наружным приборами. Убедитесь в том, что данный СИД мигает постоянно.

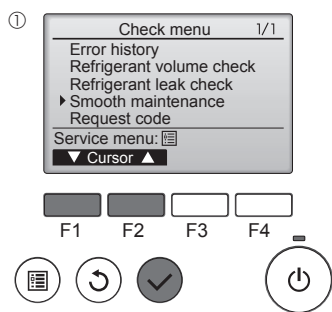


## 8. Функция простого техобслуживания

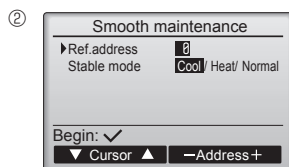
Данные обслуживания, такие как температура теплообменника внутреннего/наружного блоков и рабочий ток компрессора, могут отображаться с помощью функции "Smooth maintenance" (Плавное обслуживание).

\* **Выполнение этой функции невозможно во время проведения испытаний.**

\* **В зависимости от комбинации с наружным прибором на некоторых моделях эта функция может не поддерживаться.**



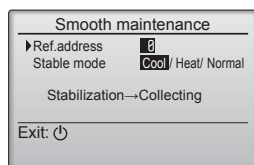
- Выберите в Main menu (главном меню) пункт "Service" (Сервисное обслуживание) и нажмите кнопку [ВЫБОР].
- С помощью кнопки [F1] или [F2] выберите пункт "Check" (Пров.) и нажмите кнопку [ВЫБОР].
- С помощью кнопки [F1] или [F2] выберите пункт "Smooth maintenance" (Плавное обслуживание) и нажмите кнопку [ВЫБОР].



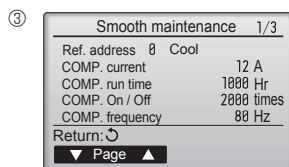
### Выберите нужный элемент

- Кнопкой [F1] или [F2] выберите элемент, который необходимо изменить.
- Кнопкой [F3] или [F4] выберите нужный параметр.

Параметр "Ref. address" (Адрес обращ.) ..... "0" - "15"  
 Параметр "Stable mode" (Стабильный режим) ..... "Cool" (Охлажд.) /  
 "Heat" (Нагрев) /  
 "Normal" (Нормальный)

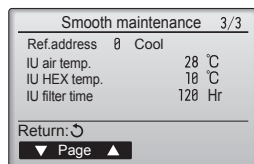
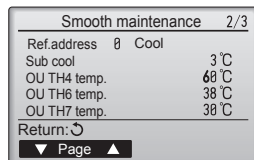


- Нажмите кнопку [ВЫБОР], начнется работа в выбранном режиме.
- \* Работа в режиме "Stable mode" (Стабильный режим) займет прим. 20 минут.



Отобразятся рабочие данные.

Для параметра общего времени работы компрессора (COMP. run (КОМП. раб.)) используется единица 10 часов, а для параметра количества включений компрессора (COMP. On/Off (КОМП. Вкл/Выкл)) используется единица 100 раз (дробные значения исключены)



### Навигация по экранам

- Для возврата в Главное меню .....кнопка [МЕНЮ]
- Для возврата к предыдущему экрану .....кнопка [ВОЗВРАТ]

This product is designed and intended for use in the residential,  
commercial and light-industrial environment.

**Importer:**

Mitsubishi Electric Europe B.V.  
Capronilaan 46, 1119 NS, Schiphol Rijk, The Netherlands

French Branch  
25, Boulevard des Bouvets, 92741 Nanterre Cedex, France

German Branch  
Mitsubishi-Electric-Platz 1, 40882 Ratingen, Germany

Belgian Branch  
Autobaan 2, 8210 Loppem, Belgium

Irish Branch  
Westgate Business Park, Ballymount, Dublin 24, Ireland

Italian Branch  
Centro Direzionale Colleoni, Palazzo Sirio-Ingresso 1 Viale Colleoni 7, 20864 Agrate Brianza (MB), Italy

Norwegian Branch  
Gneisveien 2D, 1914 Ytre Enebakk, Norway

Portuguese Branch  
Avda. do Forte, 10, 2799-514, Carnaxide, Lisbon, Portugal

Spanish Branch  
Carretera de Rubi 76-80 - Apdo. 420 08173 Sant Cugat del Valles (Barcelona), Spain

Scandinavian Branch  
Hammarbacken 14, P.O. Box 750 SE-19127, Sollentuna, Sweden

UK Branch  
Travellers Lane, Hatfield, Herts., AL10 8XB, England, U.K.

Polish Branch  
Krakowska 50, PL-32-083 Balice, Poland

MITSUBISHI ELECTRIC TURKEY ELEKTRİK ÜRÜNLERİ A.Ş.  
Şerifali Mah. Kale Sok. No: 41 34775 Ümraniye, İstanbul / Turkey

MITSUBISHI ELECTRIC (RUSSIA) LLC  
52, bld.1 Kosmodamianskaya Nab. 115054, Moscow, Russia

Please be sure to put the contact address/telephone number on  
this manual before handing it to the customer.