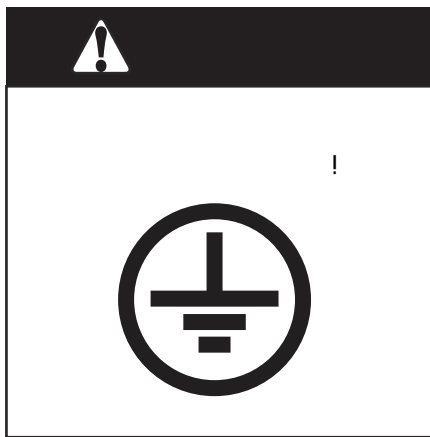





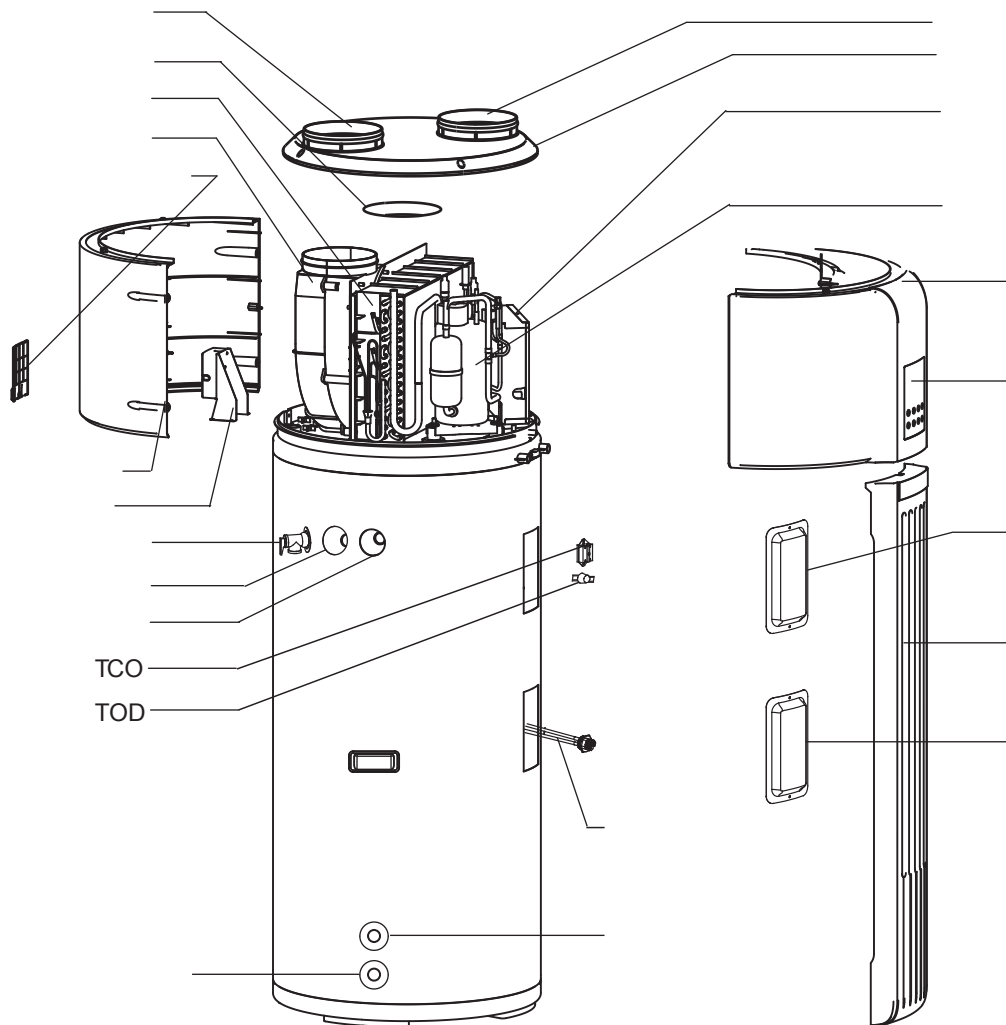
## Полное техническое руководство

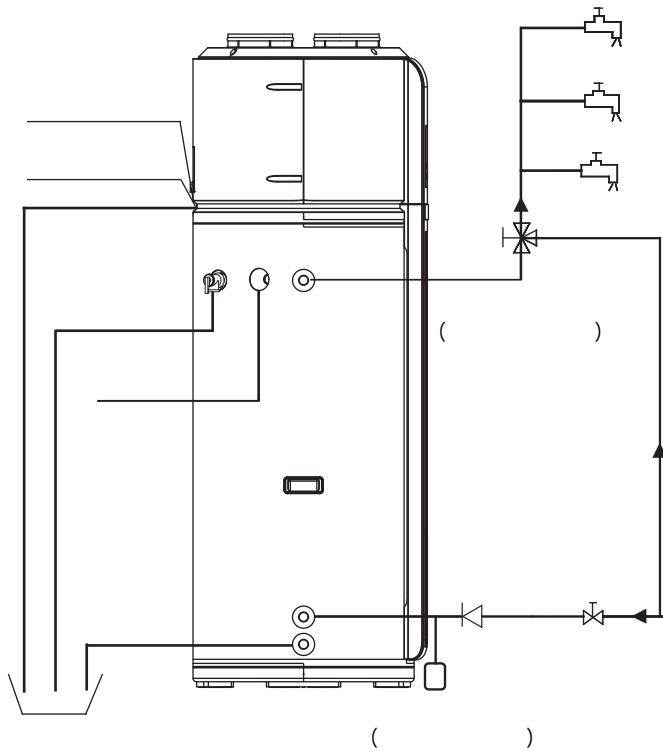
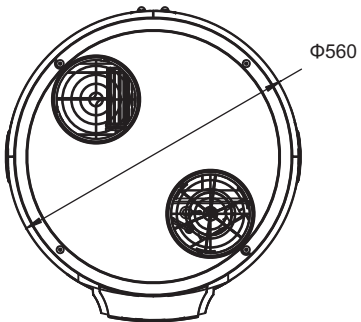
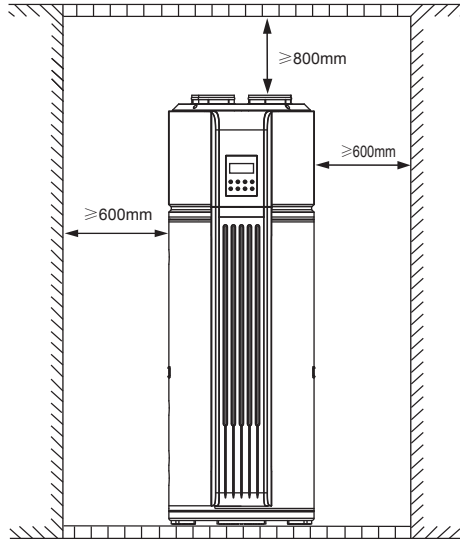
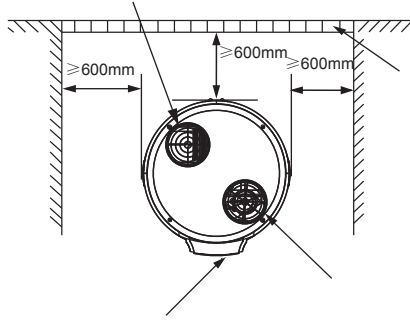
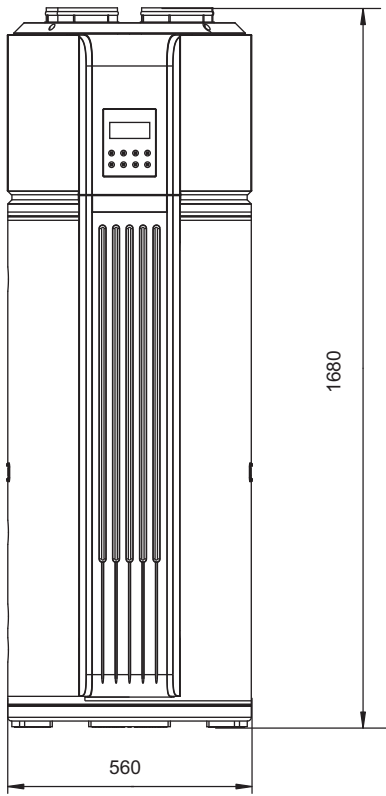
RSJ-15/190RDN3-D

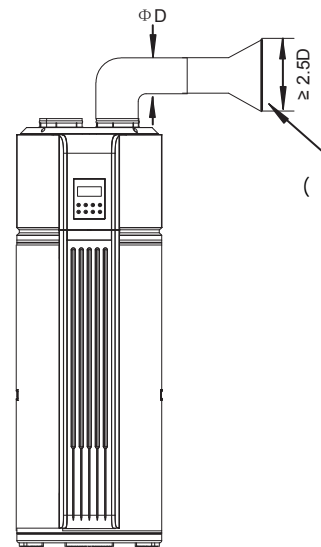
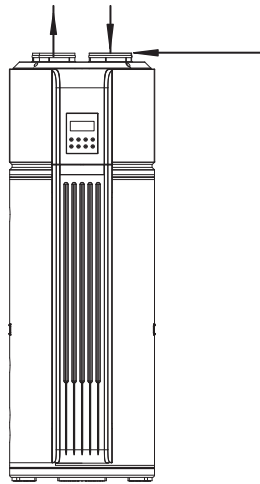
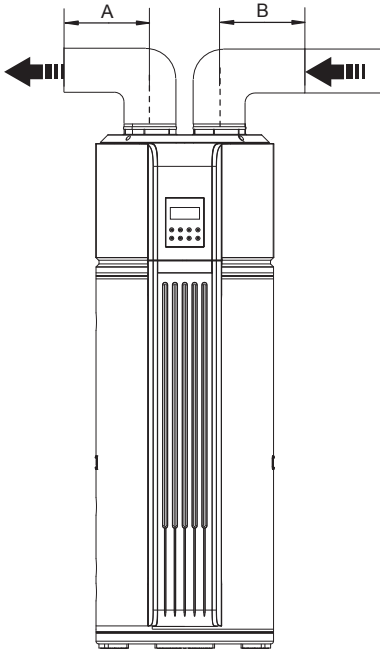
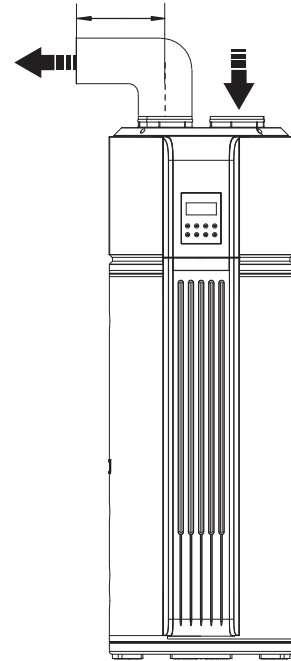
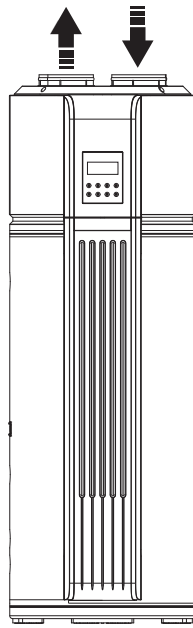
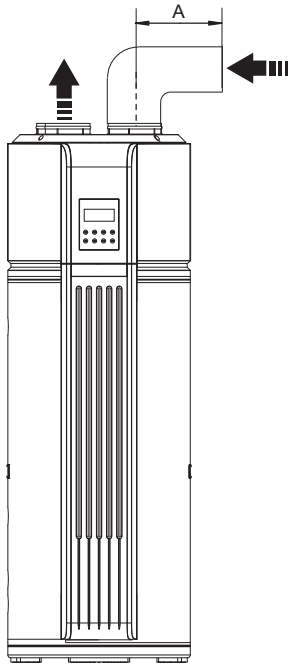




	1		
One Way Valve	1		
Adaptor	1		





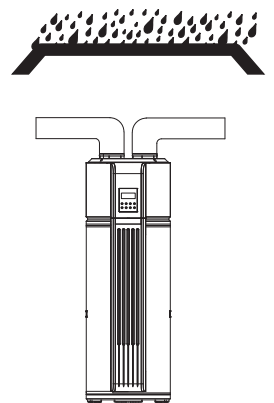
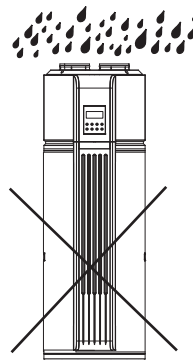


( )

1,2

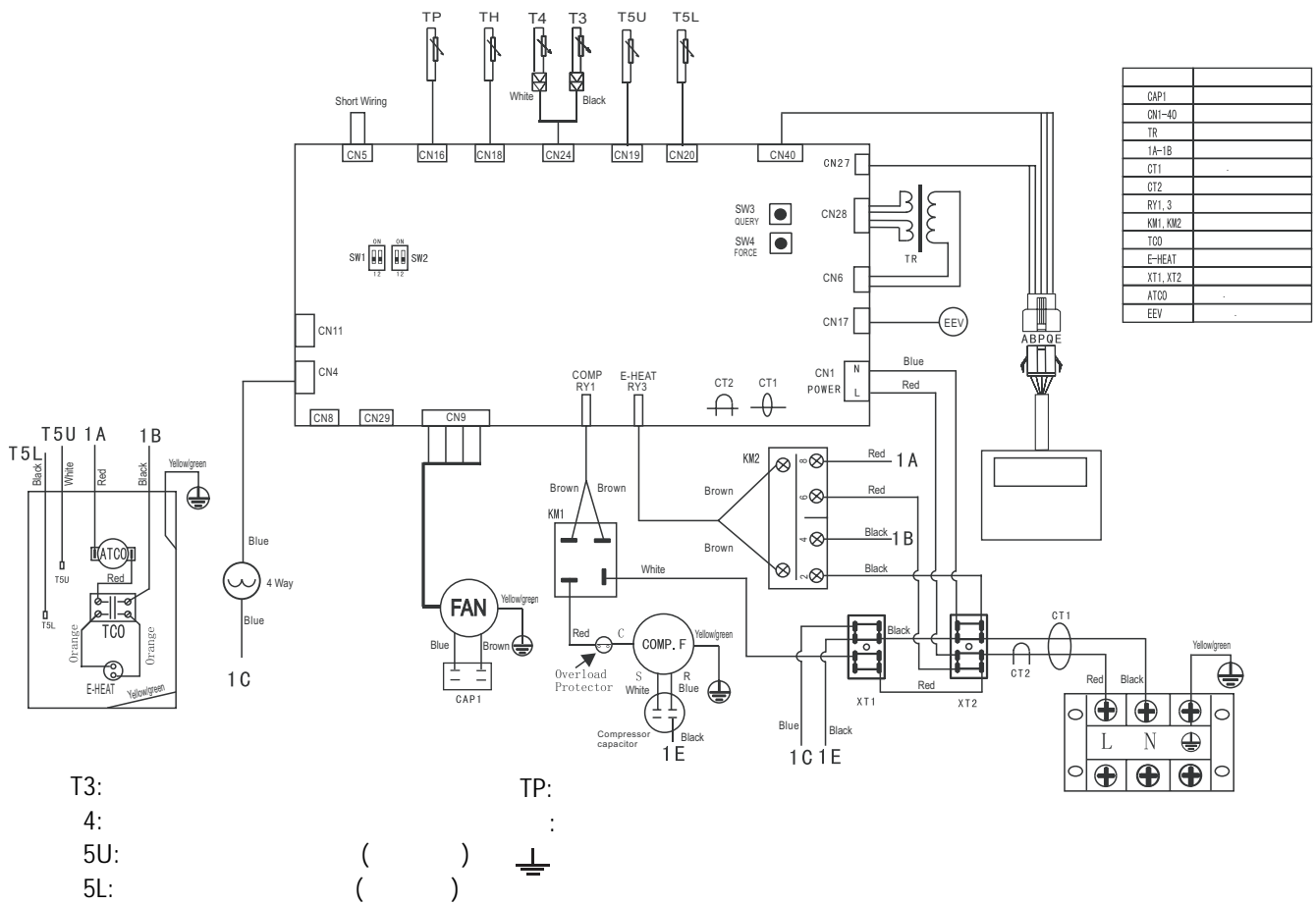
!

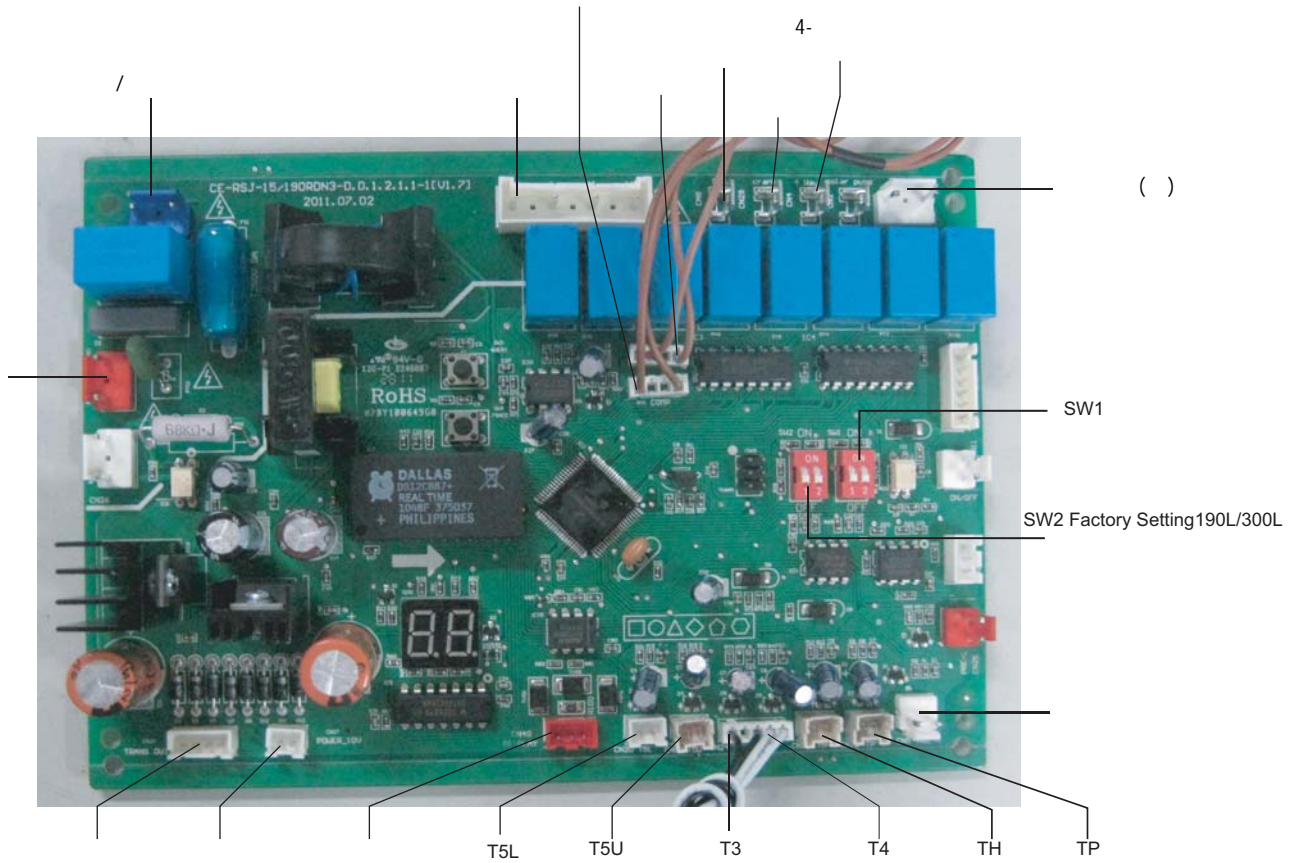
( )	Φ 160	160X160	
( / )	≤2	≤2	
( / )	≤10	≤10	
( / )	≤2	≤2	
-	≤5	≤5	



E0	T5U
E1	T5L
E2	/
E4	(T3)
E5	(T4)
E6	(TP)
E7	
E8	L/N 14
E9	(T )
P1	≥2.76MP ; ≤2.07MP
P2	Tp>115°C, Tp<90°C.
P3	
P4	
Ed	EEPROM
EE	/
LA	( )

	RSJ-15/190RDN3-D
	220-240V~50Hz
( ), 2	4
( ), 2	4
/ ( )	25 <del>20</del>
	30 mA ≤0.1sec





SW1	!	
	ON	OFF
SW1 - 1		
SW1 - 2		

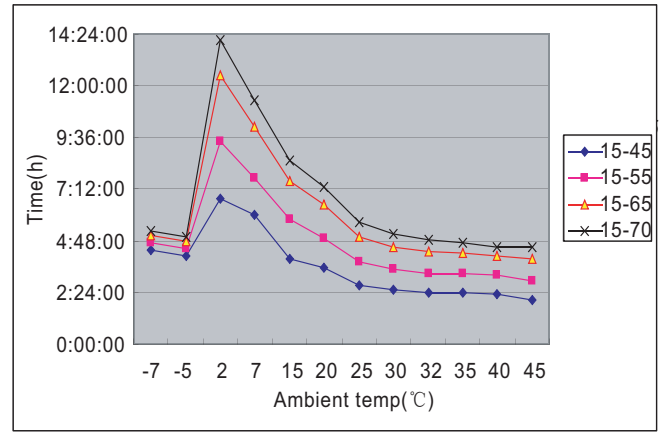
SW2	!	
	 ON 190L 12	 ON 300L 12
2		
1		

•



- 38~70°C.
- 20~45°C.
- 7~43°C.

( 4 )	T4<-7	-7≤T4<-2	-2≤T4<2	2≤T4<43	43≤T4
( )	--	45	60	70	--
( )	70	70	70	70	70

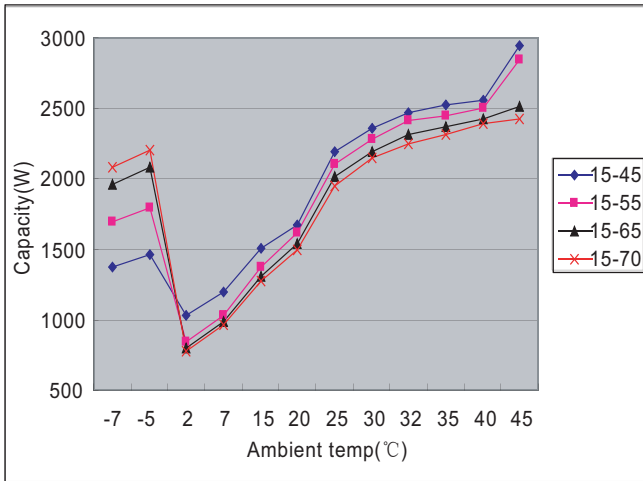


LA,

E-HEATER

6

65 .



VACATION

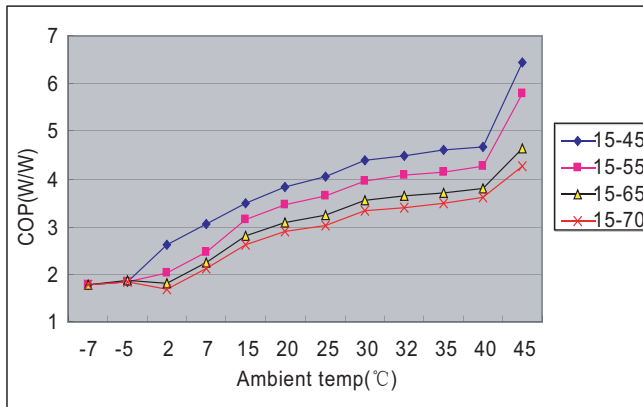
+15 .

(38-70 )

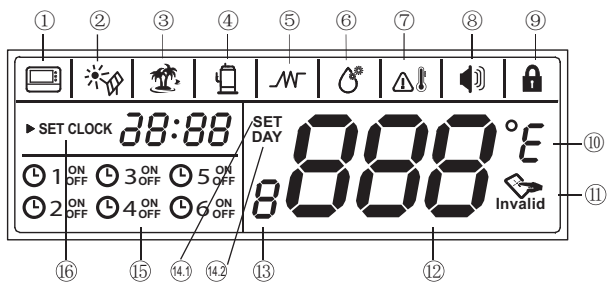
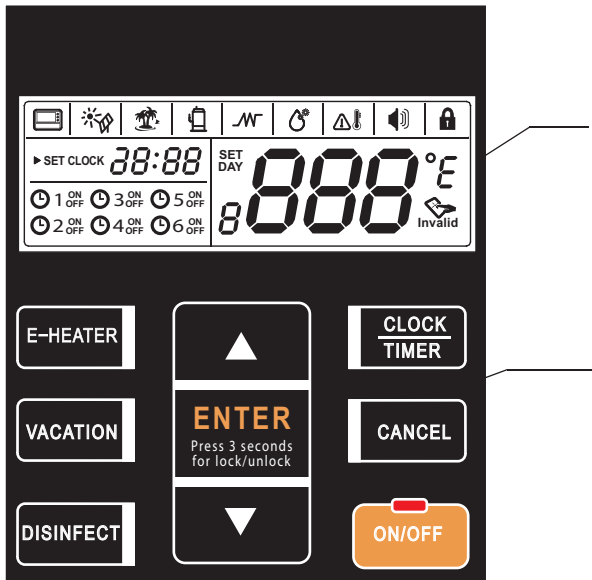
ENTER  
Press 3 seconds  
for lock/unlock

E-HEATER

DISINFECT



No.	1-	2-	3-		
1	ε	5	U		T5U
2	ε	5	L		T5L
3		ε	3		T3
4		ε	4		T4
5		ε	P		TP
6		ε	h		Th
7		ε	E		
8	i				
9	2				
10	3				
11					



No		
①		
②		
③		
④		

No		
⑤		
⑥		
⑦		
⑧		
⑨		
⑩		
⑪		
⑫		
⑬		
⑭.1	SET	SET
⑭.2	DAY	DAY





No		
32	CLOCK TIMER	
4	CANCEL	
5	ON/OFF	
6		

No		
7	ENTER Press 3 seconds for lock/unlock	
8	DISINFECT	
9	VACATION	

No.		
⑨	VACATION	15°C

No.		
	ENTER Press 3 seconds for lock/unlock	+ CLOCK TIMER
	E-HEATER + DISINFECT	2 1 ▲ ▼ CANCEL 1 30

1  
ENTER  
Press 3 seconds  
for lock/unlock

ENTER  
Press 3 seconds  
for lock/unlock 3

30

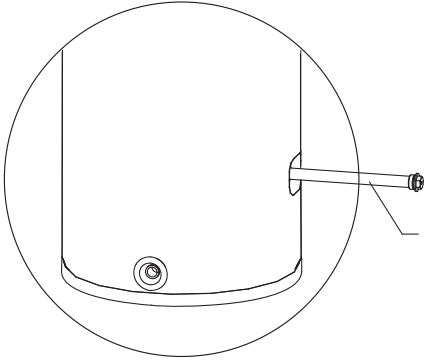
( )

:  
 : 3  
 :  
 : ?  
 : 1/4  
 : LA ?  
 :  
 : -7  
 :  
 : ?  
 :



1

8.



	1. 2. 3.	1. 2. 3.
	1. 2. 3.	1. 2. 3.

	?		
1	( )	2	
2			
3			
4			
5			

- 1.
2. +5
- 3.
- 4.
5. 50
- 6.
- 7.

		RSJ-15/190RDN3-D	
		1450W	
		3800W/17A	
		220-240V~ 50Hz	
		/	
		3000W	
		R134a(900g)	
Water side exchanger		60	38 70
		Safety condenser,copper tube wrapped around outside of storage tank	
		DN20	
		DN20	
		DN20	
		DN20	
		1.0MPa	
		/	
		28W	
		Φ560×1680mm	
		190L	
		94kg	
Fusible link type		T5A 250VAC	
15/12 ( / ) : +15 +45			