

Part 2 Outdoor Units

1.	Specifications	10
2.	Dimensions	12
3.	Service Space	13
4.	Piping Diagrams	14
5.	Wiring Diagrams	15
6.	Field Wiring	16
7.	Capacity Tables	17
8.	Electric Characteristics	38
9.	Sound Levels	40
10.	Operation Limits	41

1. Specifications

Sale Model			MDV-V200W/DRN1	MDV-V224W/DRN1
Code			220095103380	220095103370
Power supply		V-Ph-Hz	380-415V-3N~50Hz	380-415V-3N~50Hz
Cooling	Capacity	kW	20.0	22.4
	Input	kW	6.1	6.8
	EER	kW/ kW	3.28	3.29
Heating	Capacity	kW	22.0	24.5
	Input	kW	6.1	5.9
	COP	kW/ kW	3.61	4.15
Max. input consumption		W	9400	10013
Max. current		A	14.5	17.2
Compressor	Model		LNB42FSAMC	LNB53FCAMC
	Type		Rotary	Rotary
	Brand		MITSUBISHI	MITSUBISHI
	Capacity	W	13980	16860
	Input	W	4270	5200
	Rated current(RLA)	A	12	15.4
	Crankcase heater	W	25	25
	Refrigerant oil	ml	FV50S 1400+1300ml	FV50S 1700+1500ml
Outdoor fan motor	Model		WZDK170-38G-1	WZDK170-38G-1
	Type		DC motor	DC motor
	Brand		Panasonic	Panasonic
	Insulation class		E	E
	Safe class		IPX4	IPX4
	Input	W	260(up)/200(down)	250(up)/185(down)
	Output	W	210(up)/160(down)	200(up)/150(down)
	Rated current	A	2.1(up)/1.7(down)	1.7(up)/1.4(down)
	Capacitor	uF	/	/
	Speed	r/min	860(up)/840(down)	860(up)/840(down)
Outdoor fan	Material		ASG20	ASG20
	Type		Axial fan	Axial fan
	Diameter	mm	560	560
	Height	mm	170	170
Outdoor coil	Number of rows		1.6	2
	Tube pitch(a)x row pitch(b)	mm	21 x 19.4	21 x 19.4
	Fin spacing	mm	1.5	1.5
	Tube outside dia.and type	mm	Φ7 Inner groove tube	Φ7 Inner groove tube
	Coil length x height	mm	1090 x 756	1080 x 756
	Number of circuits		12	18
Outdoor air flow		m ³ /h	10999	10494
Outdoor sound level(sound pressure level)		dB(A)	59	59

Sale Model			MDV-V200W/DRN1	MDV-V224W/DRN1
Code			220095103380	220095103370
Outdoor Unit	Dimension(W x H x D)	mm	1120×1558×400	1120×1558×400
	Packing (W x H x D)	mm	1270×1575×480	1270×1575×480
	Net/Gross weight	kg	137/153	146.5/162.5
Refrigerant	Type		R410A	R410A
	Charged volume	g	4800	6200
Throttle type			Electronic expansion valve	
Design pressure			MPa 4.4/2.6	
Refrigerant piping	Liquid side/ Gas side	mm	Φ9.52/Φ19.1	Φ9.52/Φ19.1
	Max. refrigerant pipe length	m	120	120
	Max. difference in level	m	30	30
Connection wiring	Power wiring	mm ²	5 core x6.0	5 core x6.0
	Signal wiring	mm ²	3 core shielded wire x 0.75	3 core shielded wire x 0.75
Ambient temp			°C Cooling -15~48 Heating -15~27	Cooling -15~48 Heating -15~27

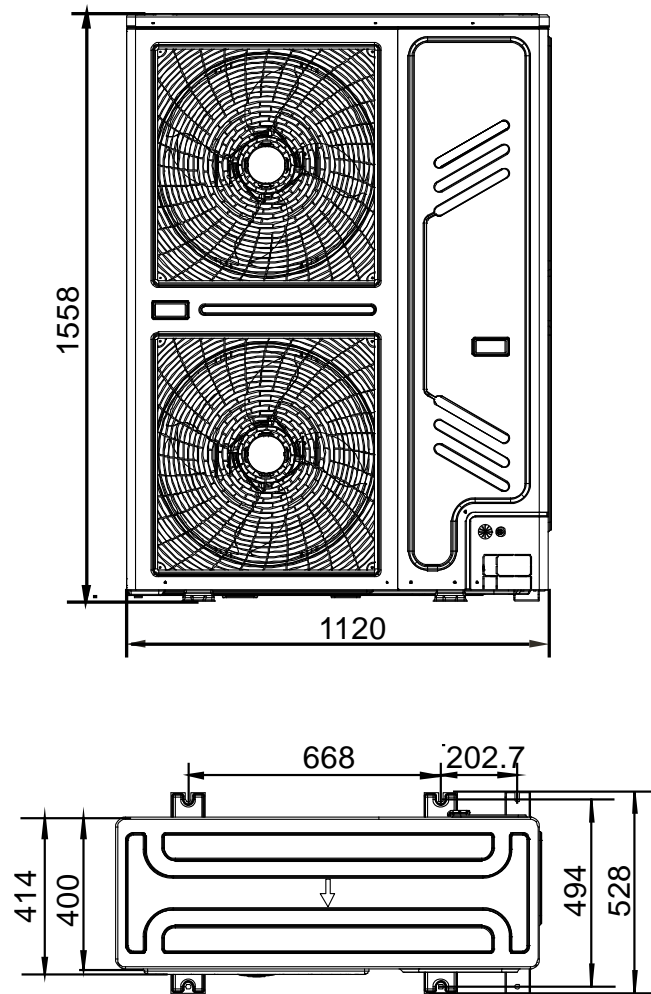
Sale Model			MDV-V260W/DRN1
Code			220095103390
Power supply		V-Ph-Hz	380-415V-3N~50Hz
Cooling	Capacity	kW	26.0
	Input	kW	7.6
	EER	kW/ kW	3.42
Heating	Capacity	kW	28.5
	Input	kW	6.8
	COP	kW/ kW	4.19
Max. input consumption		W	10736
Max. current		A	18.7
Compressor	Model		LNB53FCAMC
	Type		Rotary
	Brand		mitsubishi
	Capacity	W	16860
	Input	W	5200
	Rated current(RLA)	A	15.4
	Crankcase heater	W	25
	Refrigerant oil	ml	FV50S 1700+1500ml
Outdoor fan motor	Model		WZDK170-38G-1
	Type		DC motor
	Brand		Panasonic
	Insulation class		E
	Safe class		IPX4
	Input	W	250(up)/185(down)
	Output	W	200(up)/150(down)
	Rated current	A	1.7(up)/1.4(down)
	Capacitor	uF	/
	Speed	r/min	860(up)/840(down)

Sale Model			MDV-V260W/DRN1
Code			220095103390
Outdoor fan	Material		ASG20
Outdoor fan	Type		Axial fan
	Diameter	mm	560
	Height	mm	170
Outdoor coil	Number of rows		2
	Tube pitch(a)x row pitch(b)	mm	21 x 19.4
	Fin spacing	mm	1.5
	Tube outside dia.and type	mm	Φ7
			Inner groove tube
	Coil length x height	mm	1080 x 756
Number of circuits		18	
Outdoor air flow		m ³ /h	10494
Outdoor sound level(sound pressure level)		dB(A)	60
Outdoor unit	Dimension (W x H x D)	mm	1120×1558×400
	Packing (W x H x D)	mm	1270×1575×480
	Net/Gross weight	kg	147/163
Refrigerant	Type		R410A
	Charged volume	g	6200
Throttle type			Electronic expansion valve
Design pressure		MPa	4.4/2.6
Refrigerant piping	Liquid side/ Gas side	mm	Φ9.52/Φ22.2
	Max. refrigerant pipe length	m	120
	Max. difference in level	m	30
Connection wiring	Power wiring	mm ²	5 core x6.0
	Signal wiring	mm ²	3 core shielded wire x 0.75
Ambient temp		℃	Cooling -15~48 Heating -15~27

Notes:

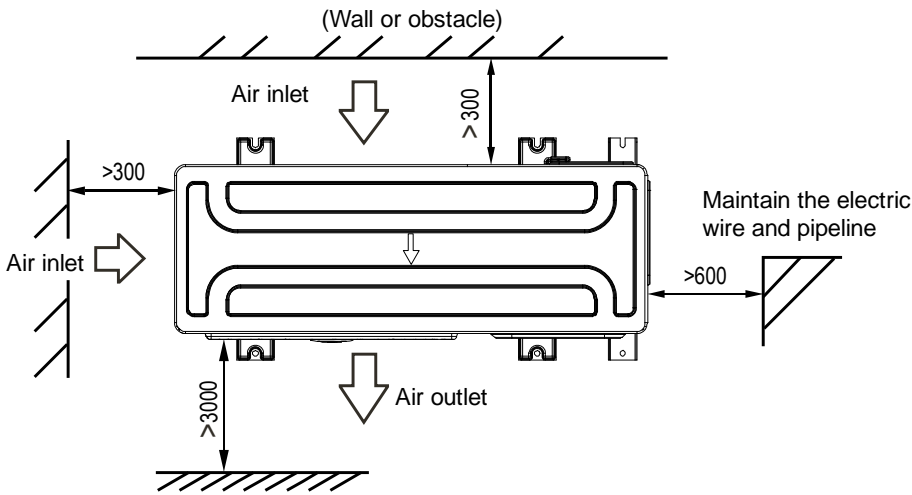
1. The cooling conditions: indoor temp.: 27℃DB (80.6°F), 19℃WB (60°F) outdoor temp.: 35℃DB (95°F) equivalent pipe length: 5m drop length: 0m.
2. The heating conditions: indoor temp.: 20℃DB (68°F), 15℃WB (44.6°F) outdoor temp.: 7℃DB (42.8°F) equivalent pipe length: 5m drop length: 0m.
3. Sound level: Anechoic chamber conversion value, measured at a point 1 m in front of the unit at a height of *m(1.3m for 200~260model). During actual operation, these values are normally somewhat higher as a result of ambient conditions.
4. The aboved datas may be changed without notice for future improvement on quality and performance.

2. Dimensions

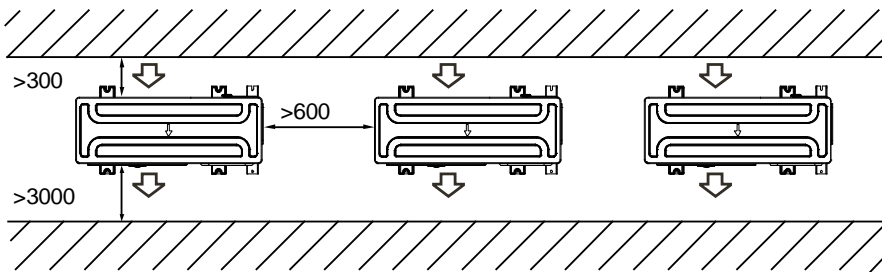


3. Service Space

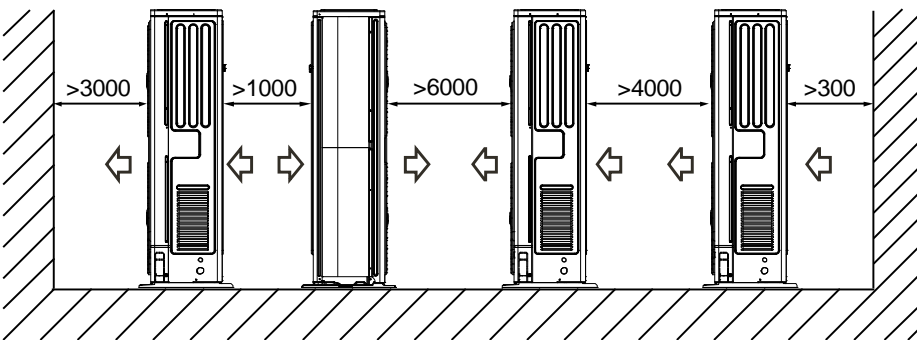
- Single unit installation



- Parallel connect the two units or above

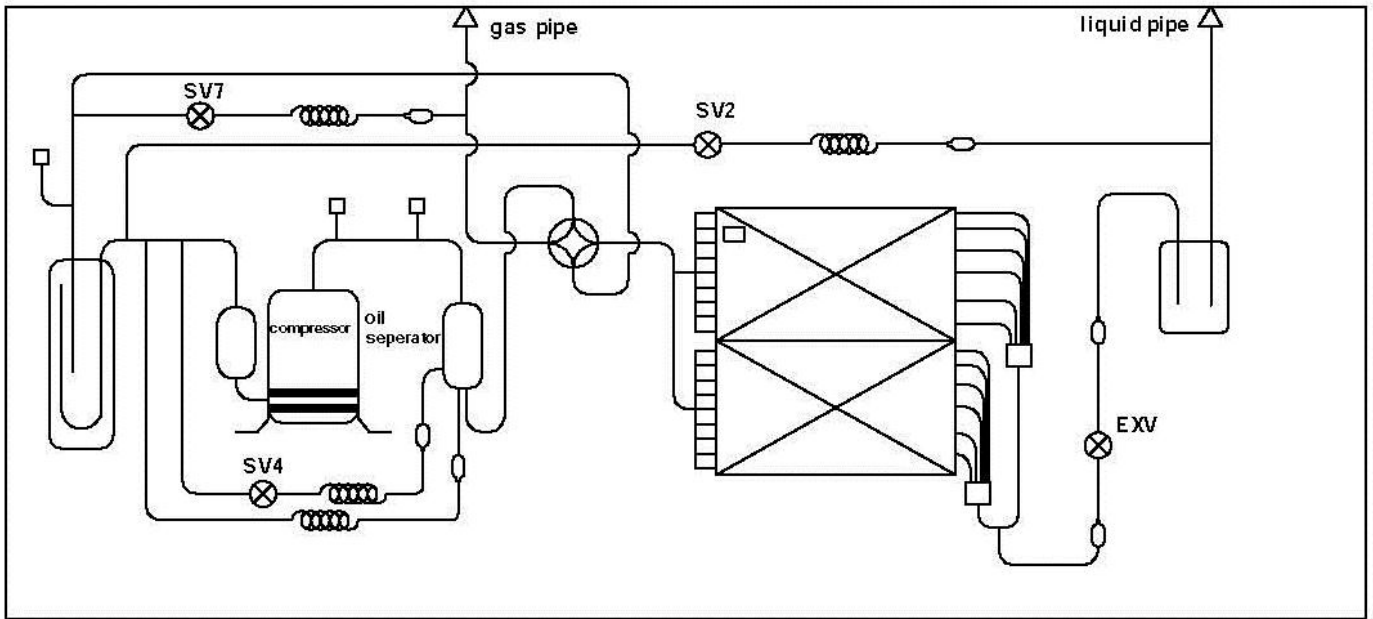


- Parallel connect the front with rear sides

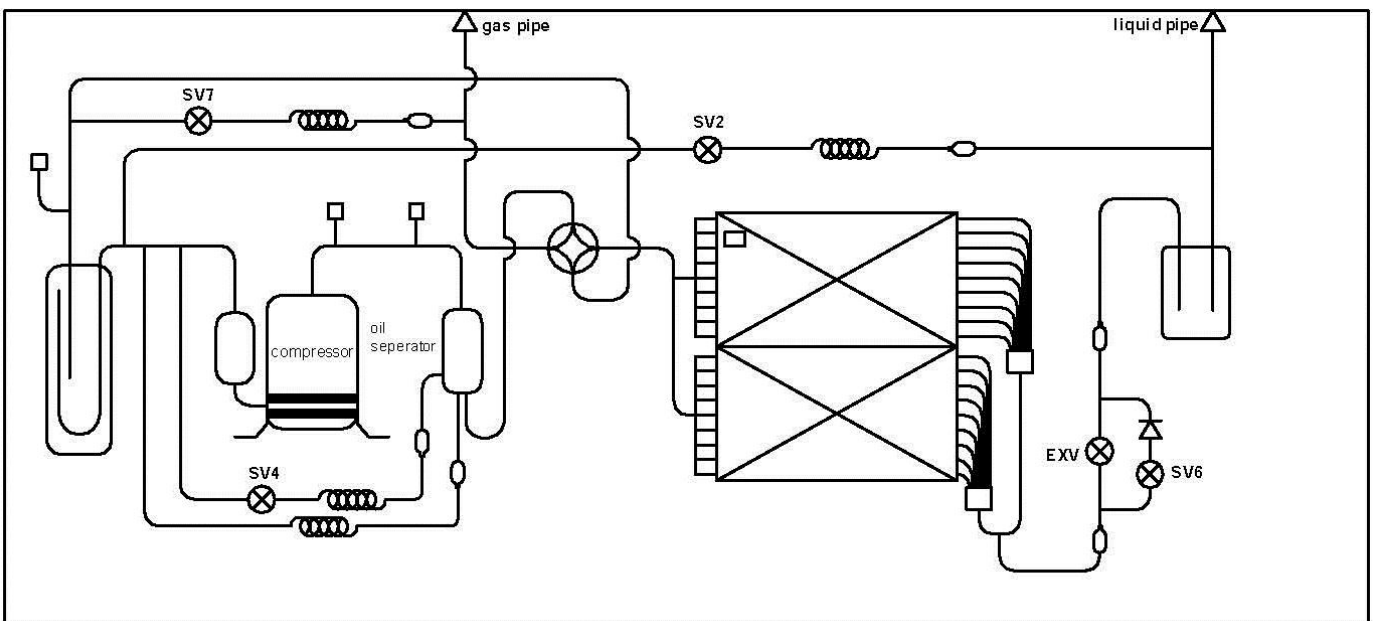


4. Piping Diagrams

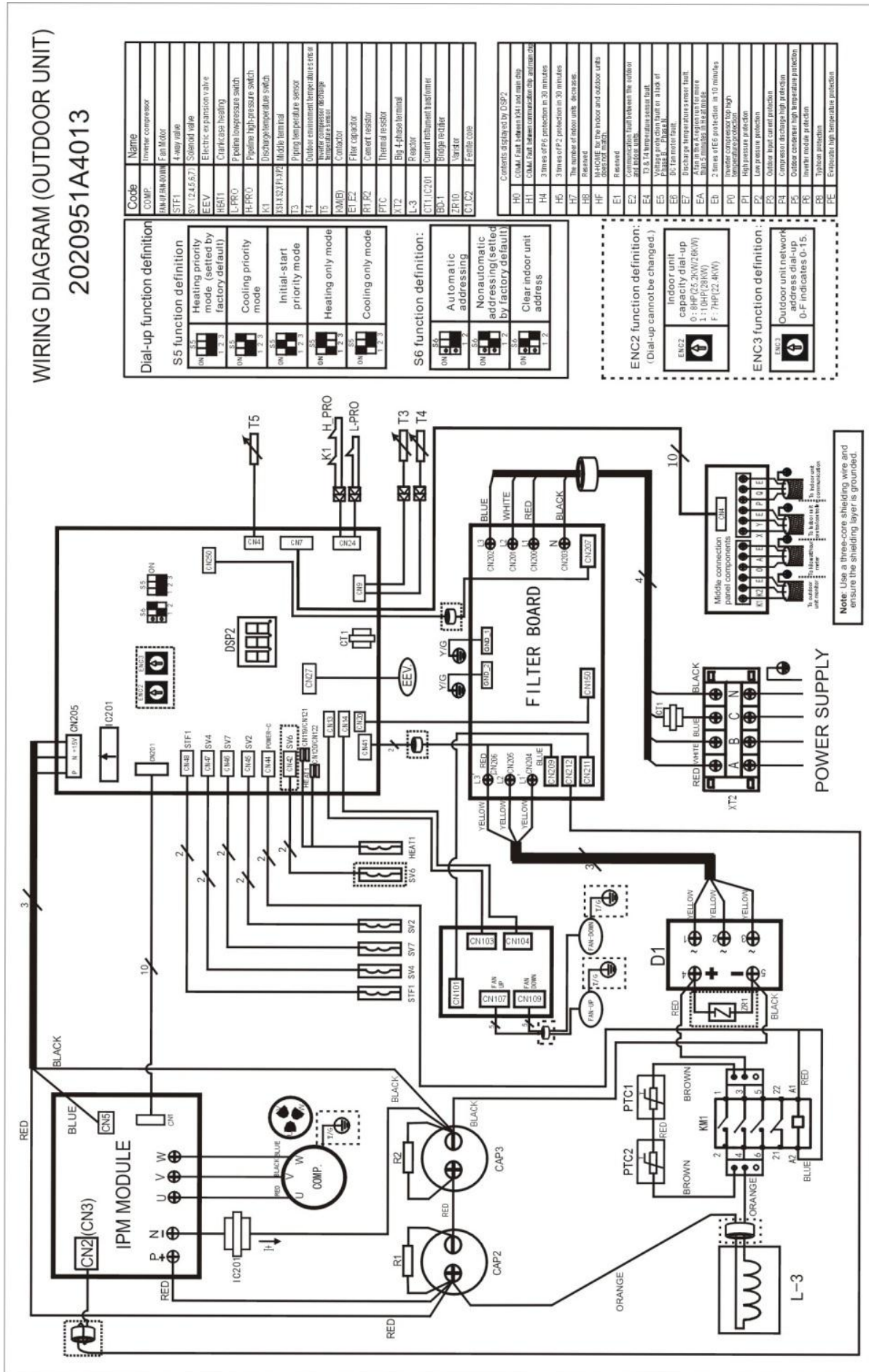
20kW



22.4/26kW

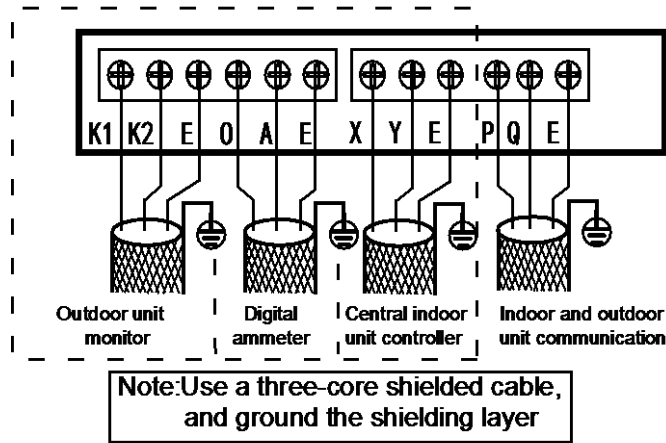
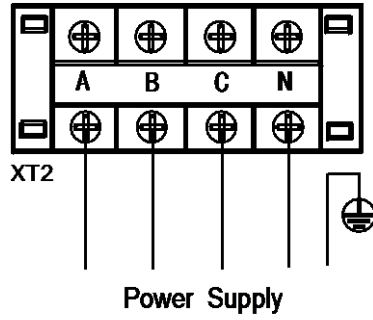


5. Wiring Diagram

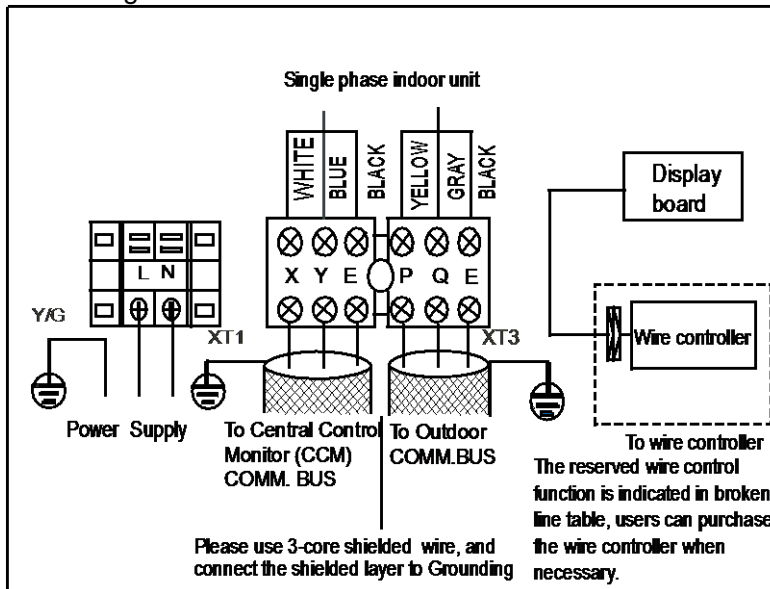


6. Field Wiring

6.1 Terminal of Outdoor unit



6.2 Indoor wiring



7.Capacity Tables
MDV-V200W/DRN1
Cooling

Combinati on (%) (Capacity index)	Outdoor temperature (°C DB)	Indoor temperature(° C DB/WD)													
		DB:20.8,WB		DB:23.3,WB		DB:25.8,WB		DB:27,WB:1		DB:28.2,WB:2		DB:30.7,WB:		DB:32,WB:2	
		TC	PI	TC	PI	TC	PI	TC	PI	TC	PI	TC	PI	TC	PI
		kW	kW	kW	kW	kW	kW	kW	kW	kW	kW	kW	kW	kW	kW
130%	-5	17.57	2.49	20.93	3.04	24.28	3.26	25.21	3.40	26.43	3.49	27.07	3.80	27.75	3.82
	-2	17.57	2.49	20.93	3.10	24.28	3.26	25.21	3.42	26.43	3.49	27.07	3.85	27.75	3.86
	0	17.57	2.54	20.93	3.16	24.28	3.38	25.21	3.60	26.43	3.69	27.07	3.89	27.75	3.91
	2	17.57	2.58	20.93	3.16	24.28	3.50	25.21	3.81	26.43	3.74	27.07	3.92	27.75	3.97
	4	17.57	2.64	20.93	3.22	24.28	3.62	25.21	3.82	26.43	3.79	27.07	3.92	27.75	4.04
	6	17.57	2.69	20.93	3.29	24.28	3.75	25.21	3.85	26.13	3.90	26.74	3.92	27.45	4.07
	8	17.57	2.75	20.93	3.36	24.28	3.94	25.21	4.04	25.81	4.03	26.45	3.90	27.10	4.11
	10	17.57	2.81	20.93	3.44	24.28	4.09	25.21	4.18	25.50	4.04	26.14	4.06	26.78	4.23
	12	17.57	2.86	20.93	3.50	24.28	4.17	24.86	4.03	25.21	4.06	25.78	4.07	26.43	4.26
	14	17.57	2.92	20.93	3.57	24.21	4.05	24.57	4.06	24.86	4.08	25.50	4.09	26.14	4.36
	16	17.57	2.97	20.93	3.64	23.93	4.06	24.21	4.08	24.50	4.10	25.14	4.12	25.78	4.42
	18	17.57	3.03	20.93	3.72	23.57	4.36	23.86	4.38	24.21	4.41	24.86	4.45	25.50	4.49
	20	17.57	3.09	20.93	3.95	23.21	4.57	23.57	4.60	23.86	4.62	24.50	4.66	25.14	4.71
	21	17.57	3.17	20.93	4.09	23.07	4.68	23.43	4.70	23.71	4.73	24.36	4.78	25.00	4.82
	23	17.57	3.40	20.93	4.39	22.78	4.89	23.07	4.92	23.36	4.94	24.00	4.99	24.64	5.04
	25	17.57	3.63	20.93	4.70	22.43	5.11	22.71	5.13	23.07	5.16	23.71	5.21	24.36	5.26
	27	17.57	3.88	20.93	5.03	22.14	5.32	22.43	5.35	22.71	5.38	23.36	5.43	24.00	5.49
	29	17.57	4.14	20.93	5.38	21.78	5.53	22.07	5.57	22.43	5.60	23.07	5.66	23.71	5.71
	31	17.57	4.42	20.86	5.69	21.43	5.76	21.78	5.79	22.07	5.81	22.71	5.88	23.36	5.94
	33	17.57	4.71	20.50	5.90	21.14	5.97	21.43	6.00	21.78	6.03	22.43	6.10	23.00	6.17
35	17.57	5.02	20.14	6.12	20.78	6.19	21.14	6.22	21.43	6.26	22.07	6.33	22.71	6.40	
37	17.57	5.34	19.86	6.34	20.50	6.41	20.78	6.45	21.14	6.49	21.71	6.56	22.36	6.64	
39	17.57	5.69	19.50	6.40	20.14	6.63	20.50	6.67	20.78	6.71	21.43	6.78	22.07	6.86	
41	17.57	5.99	19.30	6.47	19.93	6.69	20.29	6.73	20.57	6.77	21.22	6.80	21.22	6.93	
43	17.57	6.14	19.16	6.50	19.82	6.71	20.18	6.76	20.36	6.78	20.83	6.81	20.97	6.94	
45	17.57	6.45	19.04	6.56	19.61	6.77	19.97	6.80	20.07	6.81	20.26	6.83	20.56	7.07	
48	17.57	6.67	19.72	6.77	21.38	6.83	21.78	6.87	21.95	6.89	21.86	6.95	22.26	6.97	
120%	-5	16.21	2.41	19.28	2.92	22.43	3.45	24.00	3.76	25.14	3.92	25.71	4.05	26.29	4.15
	-2	16.21	2.43	19.28	2.95	22.43	3.48	24.00	3.78	25.14	3.97	25.71	4.08	26.29	4.17
	0	16.21	2.45	19.28	2.97	22.43	3.52	24.00	3.79	25.14	4.00	25.71	4.11	26.29	4.18
	2	16.21	2.46	19.28	3.00	22.43	3.55	24.00	3.83	25.14	4.02	25.71	4.14	26.29	4.19
	4	16.21	2.49	19.28	3.04	22.43	3.60	24.00	3.86	25.14	4.07	25.71	4.14	26.29	4.20
	6	16.21	2.51	19.28	3.06	22.43	3.64	24.00	3.91	25.14	4.12	25.71	4.18	26.29	4.21
	8	16.21	2.53	19.28	3.09	22.43	3.69	24.00	3.96	25.14	4.16	25.71	4.19	26.29	4.23
	10	16.21	2.57	19.28	3.13	22.43	3.72	24.00	4.03	25.14	4.16	25.71	4.20	26.29	4.25
	12	16.21	2.61	19.28	3.19	22.43	3.80	24.00	4.10	24.79	4.18	25.36	4.18	25.93	4.28
	14	16.21	2.66	19.28	3.26	22.43	3.87	24.00	4.18	24.43	4.20	25.07	4.24	25.64	4.33
	16	16.21	2.71	19.28	3.32	22.43	3.95	23.86	4.10	24.14	4.27	24.71	4.32	25.29	4.39
	18	16.21	2.76	19.28	3.39	22.43	4.08	23.50	4.36	23.79	4.37	24.36	4.41	25.00	4.46
	20	16.21	2.82	19.28	3.52	22.43	4.39	23.21	4.57	23.50	4.59	24.07	4.63	24.64	4.67
	21	16.21	2.84	19.28	3.64	22.43	4.55	23.00	4.68	23.28	4.69	23.93	4.74	24.50	4.78
	23	16.21	3.04	19.28	3.90	22.43	4.87	22.71	4.88	23.00	4.91	23.57	4.96	24.14	5.00
	25	16.21	3.25	19.28	4.18	22.07	5.08	22.36	5.10	22.64	5.12	23.28	5.17	23.86	5.22
	27	16.21	3.47	19.28	4.46	21.78	5.29	22.07	5.32	22.36	5.34	22.93	5.39	23.50	5.44
	29	16.21	3.70	19.28	4.77	21.43	5.50	21.71	5.53	22.00	5.56	22.57	5.61	23.21	5.66
	31	16.21	3.95	19.28	5.09	21.07	5.72	21.43	5.75	21.71	5.78	22.29	5.84	22.86	5.89
	33	16.21	4.20	19.28	5.43	20.78	5.94	21.07	5.97	21.36	5.99	21.93	6.06	22.50	6.12
35	16.21	4.47	19.28	5.79	20.43	6.15	20.71	6.18	21.07	6.22	21.64	6.28	22.21	6.35	
37	16.21	4.76	19.28	6.17	20.14	6.37	20.43	6.40	20.71	6.44	21.29	6.50	21.86	6.58	
39	16.21	5.06	19.21	6.51	19.79	6.59	20.07	6.63	20.36	6.66	21.00	6.73	21.57	6.80	
41	16.21	5.20	19.06	6.56	19.63	6.63	19.92	6.67	20.20	6.71	20.84	6.75	20.95	6.85	
43	16.21	5.28	18.96	6.60	19.48	6.67	19.76	6.70	20.05	6.73	20.48	6.77	20.63	6.99	
45	16.21	5.34	18.85	6.67	19.29	6.73	19.55	6.76	19.87	6.78	20.07	6.79	20.42	7.14	
48	18.79	5.39	21.66	6.74	22.06	6.79	22.30	6.81	22.77	6.84	22.89	6.82	23.35	7.23	
110%	-5	14.86	2.10	17.72	2.62	20.57	3.12	22.00	3.35	23.43	3.61	25.22	3.75	25.79	3.86
	-2	14.86	2.14	17.72	2.65	20.57	3.15	22.00	3.39	23.43	3.64	25.22	3.78	25.79	3.88
	0	14.86	2.16	17.72	2.67	20.57	3.17	22.00	3.41	23.43	3.68	25.22	3.82	25.79	3.93

	2	14.86	2.21	17.72	2.69	20.57	3.22	22.00	3.45	23.43	3.72	25.22	3.88	25.79	3.98
	4	14.86	2.26	17.72	2.72	20.57	3.25	22.00	3.49	23.43	3.77	25.22	3.93	25.79	4.02
	6	14.86	2.28	17.72	2.75	20.57	3.29	22.00	3.54	23.43	3.82	25.22	3.97	25.79	4.08
	8	14.86	2.30	17.72	2.80	20.57	3.32	22.00	3.58	23.43	3.86	25.22	4.00	25.79	4.12
	10	14.86	2.33	17.72	2.84	20.57	3.37	22.00	3.64	23.43	3.92	25.22	4.03	25.79	4.16
	12	14.86	2.38	17.72	2.89	20.57	3.44	22.00	3.72	23.43	4.00	24.93	4.09	25.43	4.21
	14	14.86	2.42	17.72	2.94	20.57	3.50	22.00	3.78	23.43	4.07	24.57	4.12	25.14	4.24
	16	14.86	2.46	17.72	3.00	20.57	3.57	22.00	3.86	23.43	4.15	24.29	4.17	24.79	4.29
	18	14.86	2.51	17.72	3.06	20.57	3.64	22.00	3.96	23.43	4.35	23.93	4.38	24.50	4.42
	20	14.86	2.56	17.72	3.12	20.57	3.86	22.00	4.26	23.07	4.56	23.64	4.60	24.14	4.64
	21	14.86	2.58	17.72	3.21	20.57	4.00	22.00	4.42	22.93	4.67	23.43	4.70	24.00	4.74
	23	14.86	2.70	17.72	3.44	20.57	4.28	22.00	4.74	22.57	4.88	23.15	4.92	23.64	4.97
	25	14.86	2.89	17.72	3.68	20.57	4.58	22.00	5.07	22.29	5.09	22.79	5.14	23.36	5.18
	27	14.86	3.08	17.72	3.94	20.57	4.90	21.64	5.29	21.93	5.30	22.50	5.35	23.00	5.40
	29	14.86	3.28	17.72	4.20	20.57	5.24	21.36	5.50	21.64	5.52	22.14	5.57	22.72	5.62
	31	14.86	3.49	17.72	4.48	20.57	5.59	21.00	5.71	21.29	5.74	21.86	5.79	22.36	5.85
	33	14.86	3.72	17.72	4.78	20.43	5.89	20.71	5.93	21.00	5.95	21.50	6.01	22.07	6.07
	35	14.86	3.95	17.72	5.09	20.07	6.11	20.36	6.14	20.64	6.17	21.14	6.23	21.72	6.29
	37	14.86	4.21	17.72	5.42	19.79	6.33	20.07	6.36	20.29	6.39	20.86	6.45	21.36	6.51
	39	14.86	4.47	17.72	5.77	19.43	6.54	19.71	6.58	20.00	6.61	20.50	6.68	21.07	6.74
	41	14.86	4.52	17.72	5.82	19.28	6.59	19.56	6.62	19.85	6.66	20.24	6.72	20.44	6.79
	43	14.86	4.56	17.72	5.89	19.12	6.64	19.41	6.67	19.70	6.70	20.06	6.75	20.12	6.93
	45	14.86	4.71	17.72	5.93	18.93	6.70	19.21	6.75	19.52	6.76	19.86	6.93	19.94	7.09
	48	16.27	4.88	19.40	6.43	20.43	6.74	20.70	6.80	21.14	6.83	21.39	6.96	21.55	7.16
100%	-5	13.50	1.92	16.07	2.31	18.71	2.75	20.00	2.94	21.29	3.19	23.93	3.64	25.29	3.79
	-2	13.50	1.94	16.07	2.34	18.71	2.78	20.00	3.00	21.29	3.23	23.93	3.68	25.29	3.82
	0	13.50	1.96	16.07	2.36	18.71	2.81	20.00	3.03	21.29	3.26	23.93	3.74	25.29	3.86
	2	13.50	2.00	16.07	2.39	18.71	2.84	20.00	3.07	21.29	3.30	23.93	3.79	25.29	3.92
	4	13.50	2.01	16.07	2.42	18.71	2.88	20.00	3.12	21.29	3.34	23.93	3.83	25.29	3.97
	6	13.50	2.04	16.07	2.46	18.71	2.92	20.00	3.17	21.29	3.39	23.93	3.89	25.29	4.03
	8	13.50	2.08	16.07	2.50	18.71	2.97	20.00	3.21	21.29	3.45	23.93	3.95	25.29	4.09
	10	13.50	2.10	16.07	2.55	18.71	3.02	20.00	3.26	21.29	3.51	23.93	4.01	25.29	4.15
	12	13.50	2.14	16.07	2.60	18.71	3.07	20.00	3.32	21.29	3.58	23.93	4.09	24.93	4.18
	14	13.50	2.18	16.07	2.65	18.71	3.13	20.00	3.39	21.29	3.64	23.93	4.17	24.64	4.23
	16	13.50	2.22	16.07	2.70	18.71	3.20	20.00	3.45	21.29	3.72	23.79	4.22	24.29	4.28
	18	13.50	2.26	16.07	2.75	18.71	3.26	20.00	3.52	21.29	3.79	23.50	4.36	24.00	4.39
	20	13.50	2.30	16.07	2.80	18.71	3.35	20.00	3.70	21.29	4.06	23.14	4.56	23.64	4.60
	21	13.50	2.33	16.07	2.83	18.71	3.48	20.00	3.83	21.29	4.20	23.00	4.67	23.50	4.71
	23	13.50	2.38	16.07	3.02	18.71	3.72	20.00	4.10	21.29	4.50	22.71	4.88	23.14	4.92
	25	13.50	2.54	16.07	3.22	18.71	3.99	20.00	4.40	21.29	4.83	22.36	5.10	22.86	5.14
	27	13.50	2.71	16.07	3.44	18.71	4.26	20.00	4.70	21.29	5.16	22.00	5.31	22.50	5.36
	29	13.50	2.89	16.07	3.67	18.71	4.55	20.00	5.02	21.21	5.48	21.71	5.53	22.21	5.57
	31	13.50	3.07	16.07	3.91	18.71	4.85	20.00	5.36	20.93	5.70	21.36	5.75	21.86	5.80
	33	13.50	3.26	16.07	4.17	18.71	5.17	20.00	5.72	20.57	5.91	21.07	5.96	21.57	6.02
35	13.50	3.47	16.07	4.43	18.71	5.52	20.00	6.10	20.21	6.12	20.71	6.18	21.21	6.23	
37	13.50	3.69	16.07	4.72	18.71	5.88	19.64	6.31	19.93	6.35	20.43	6.40	20.86	6.45	
39	13.50	3.92	16.07	5.01	18.71	6.26	19.36	6.53	19.57	6.56	20.07	6.62	20.57	6.68	
41	13.50	4.10	16.07	5.20	18.71	6.48	19.06	6.57	19.42	6.66	19.72	6.77	20.27	6.82	
43	13.50	4.29	16.07	5.38	18.71	6.61	18.76	6.65	19.28	6.73	19.84	6.82	19.91	6.90	
45	13.50	4.53	16.07	5.62	18.71	6.72	18.36	6.74	19.18	6.85	19.67	6.92	19.51	6.99	
48	13.98	4.73	16.65	5.82	19.38	6.73	18.23	6.82	19.83	6.97	19.13	6.99	19.77	7.05	
90%	-5	12.14	1.69	14.50	2.03	16.86	2.40	18.00	2.62	19.14	2.78	21.50	3.20	23.86	3.66
	-2	12.14	1.71	14.50	2.05	16.86	2.43	18.00	2.65	19.14	2.82	21.50	3.23	23.86	3.70
	0	12.14	1.74	14.50	2.08	16.86	2.47	18.00	2.68	19.14	2.85	21.50	3.27	23.86	3.73
	2	12.14	1.76	14.50	2.11	16.86	2.49	18.00	2.73	19.14	2.90	21.50	3.34	23.86	3.78
	4	12.14	1.79	14.50	2.14	16.86	2.53	18.00	2.76	19.14	2.93	21.50	3.39	23.86	3.84
	6	12.14	1.81	14.50	2.18	16.86	2.58	18.00	2.81	19.14	2.99	21.50	3.44	23.86	3.90
	8	12.14	1.85	14.50	2.22	16.86	2.63	18.00	2.85	19.14	3.04	21.50	3.50	23.86	3.94
	10	12.14	1.88	14.50	2.27	16.86	2.68	18.00	2.89	19.14	3.11	21.50	3.55	23.86	4.00
	12	12.14	1.92	14.50	2.31	16.86	2.73	18.00	2.94	19.14	3.17	21.50	3.62	23.86	4.08
	14	12.14	1.95	14.50	2.35	16.86	2.78	18.00	3.00	19.14	3.22	21.50	3.68	23.86	4.15
	16	12.14	1.98	14.50	2.39	16.86	2.84	18.00	3.06	19.14	3.29	21.50	3.76	23.79	4.23
	18	12.14	2.01	14.50	2.44	16.86	2.89	18.00	3.12	19.14	3.35	21.50	3.83	23.50	4.36
20	12.14	2.06	14.50	2.50	16.86	2.94	18.00	3.18	19.14	3.48	21.50	4.12	23.14	4.56	

	21	12.14	2.07	14.50	2.52	16.86	2.99	18.00	3.29	19.14	3.60	21.50	4.27	23.00	4.67
	23	12.14	2.11	14.50	2.61	16.86	3.21	18.00	3.53	19.14	3.86	21.50	4.58	22.64	4.88
	25	12.14	2.23	14.50	2.80	16.86	3.43	18.00	3.77	19.14	4.13	21.50	4.90	22.36	5.10
	27	12.14	2.37	14.50	2.98	16.86	3.66	18.00	4.03	19.14	4.41	21.50	5.24	22.00	5.31
	29	12.14	2.52	14.50	3.17	16.86	3.90	18.00	4.30	19.14	4.72	21.29	5.48	21.71	5.52
	31	12.14	2.68	14.50	3.38	16.86	4.16	18.00	4.59	19.14	5.03	20.93	5.70	21.36	5.75
	33	12.14	2.84	14.50	3.59	16.86	4.44	18.00	4.89	19.14	5.37	20.64	5.92	21.07	5.96
	35	12.14	3.02	14.50	3.82	16.86	4.73	18.00	5.21	19.14	5.72	20.29	6.13	20.71	6.18
	37	12.14	3.21	14.50	4.06	16.86	5.03	18.00	5.55	19.14	6.10	19.93	6.35	20.43	6.40
	39	12.14	3.40	14.50	4.32	16.86	5.35	18.00	5.91	19.14	6.49	19.64	6.57	20.07	6.62
	41	12.14	3.52	14.50	4.52	16.86	5.55	18.00	6.07	19.14	6.53	19.51	6.74	19.94	6.77
	43	12.14	3.69	14.50	4.72	16.86	5.74	18.00	6.22	19.14	6.67	19.41	6.82	19.76	6.88
	45	12.14	3.92	14.50	4.95	16.86	5.98	18.00	6.43	19.14	6.86	19.30	6.89	19.46	6.97
	48	12.14	4.14	14.50	5.18	16.86	6.20	18.00	6.51	19.14	6.92	21.26	6.99	21.04	7.07
80%	-5	10.79	1.49	12.86	1.76	14.93	2.09	16.00	2.22	17.07	2.39	19.14	2.77	21.21	3.16
	-2	10.79	1.51	12.86	1.79	14.93	2.11	16.00	2.26	17.07	2.41	19.14	2.79	21.21	3.19
	0	10.79	1.54	12.86	1.81	14.93	2.13	16.00	2.28	17.07	2.46	19.14	2.83	21.21	3.23
	2	10.79	1.57	12.86	1.84	14.93	2.16	16.00	2.33	17.07	2.50	19.14	2.89	21.21	3.29
	4	10.79	1.60	12.86	1.87	14.93	2.21	16.00	2.38	17.07	2.55	19.14	2.94	21.21	3.34
	6	10.79	1.62	12.86	1.91	14.93	2.24	16.00	2.43	17.07	2.59	19.14	2.99	21.21	3.39
	8	10.79	1.66	12.86	1.95	14.93	2.29	16.00	2.47	17.07	2.65	19.14	3.03	21.21	3.46
	10	10.79	1.67	12.86	2.00	14.93	2.35	16.00	2.53	17.07	2.71	19.14	3.10	21.21	3.49
	12	10.79	1.69	12.86	2.03	14.93	2.39	16.00	2.58	17.07	2.77	19.14	3.16	21.21	3.56
	14	10.79	1.73	12.86	2.07	14.93	2.43	16.00	2.62	17.07	2.82	19.14	3.21	21.21	3.63
	16	10.79	1.75	12.86	2.10	14.93	2.48	16.00	2.67	17.07	2.87	19.14	3.28	21.21	3.69
	18	10.79	1.78	12.86	2.15	14.93	2.53	16.00	2.73	17.07	2.93	19.14	3.35	21.21	3.77
	20	10.79	1.82	12.86	2.19	14.93	2.58	16.00	2.78	17.07	2.98	19.14	3.47	21.21	4.03
	21	10.79	1.83	12.86	2.20	14.93	2.61	16.00	2.81	17.07	3.05	19.14	3.59	21.21	4.18
	23	10.79	1.87	12.86	2.25	14.93	2.73	16.00	2.99	17.07	3.26	19.14	3.85	21.21	4.48
	25	10.79	1.92	12.86	2.39	14.93	2.92	16.00	3.20	17.07	3.49	19.14	4.12	21.21	4.79
	27	10.79	2.05	12.86	2.55	14.93	3.11	16.00	3.41	17.07	3.72	19.14	4.40	21.21	5.13
	29	10.79	2.18	12.86	2.71	14.93	3.31	16.00	3.63	17.07	3.98	19.14	4.69	21.21	5.48
	31	10.79	2.31	12.86	2.89	14.93	3.53	16.00	3.87	17.07	4.24	19.14	5.01	20.86	5.70
	33	10.79	2.46	12.86	3.07	14.93	3.76	16.00	4.13	17.07	4.51	19.14	5.34	20.57	5.91
35	10.79	2.61	12.86	3.26	14.93	4.00	16.00	4.39	17.07	4.81	19.14	5.70	20.21	6.12	
37	10.79	2.76	12.86	3.46	14.93	4.25	16.00	4.68	17.07	5.12	19.14	6.08	19.93	6.34	
39	10.79	2.93	12.86	3.69	14.93	4.52	16.00	4.97	17.07	5.45	19.14	6.47	19.57	6.56	
41	10.79	2.99	12.86	3.72	14.93	4.59	16.00	5.11	17.07	5.55	19.14	6.63	19.45	6.68	
43	10.79	3.08	12.86	3.76	14.93	4.65	16.00	5.19	17.07	5.63	19.14	6.71	19.33	6.75	
45	10.79	3.17	12.86	3.80	14.93	4.74	16.00	5.30	17.07	5.72	19.14	6.79	19.09	6.86	
48	10.79	3.27	12.86	3.83	16.79	4.82	16.00	5.38	17.07	5.77	19.14	6.85	21.30	6.95	
70%	-5	9.43	1.33	11.29	1.56	13.07	1.77	14.00	1.90	14.93	2.03	16.71	2.32	18.57	2.66
	-2	9.43	1.34	11.29	1.57	13.07	1.78	14.00	1.93	14.93	2.06	16.71	2.35	18.57	2.70
	0	9.43	1.35	11.29	1.59	13.07	1.82	14.00	1.97	14.93	2.10	16.71	2.40	18.57	2.74
	2	9.43	1.36	11.29	1.60	13.07	1.85	14.00	2.01	14.93	2.14	16.71	2.45	18.57	2.78
	4	9.43	1.38	11.29	1.64	13.07	1.89	14.00	2.04	14.93	2.18	16.71	2.49	18.57	2.85
	6	9.43	1.40	11.29	1.67	13.07	1.93	14.00	2.11	14.93	2.23	16.71	2.54	18.57	2.90
	8	9.43	1.42	11.29	1.72	13.07	1.98	14.00	2.14	14.93	2.28	16.71	2.61	18.57	2.96
	10	9.43	1.45	11.29	1.74	13.07	2.03	14.00	2.19	14.93	2.34	16.71	2.66	18.57	2.99
	12	9.43	1.49	11.29	1.77	13.07	2.07	14.00	2.23	14.93	2.38	16.71	2.71	18.57	3.05
	14	9.43	1.51	11.29	1.80	13.07	2.10	14.00	2.26	14.93	2.43	16.71	2.76	18.57	3.11
	16	9.43	1.54	11.29	1.83	13.07	2.15	14.00	2.31	14.93	2.47	16.71	2.81	18.57	3.17
	18	9.43	1.56	11.29	1.87	13.07	2.19	14.00	2.35	14.93	2.52	16.71	2.87	18.57	3.23
	20	9.43	1.59	11.29	1.90	13.07	2.23	14.00	2.39	14.93	2.57	16.71	2.93	18.57	3.32
	21	9.43	1.60	11.29	1.92	13.07	2.24	14.00	2.42	14.93	2.59	16.71	2.97	18.57	3.44
	23	9.43	1.63	11.29	1.95	13.07	2.29	14.00	2.50	14.93	2.72	16.71	3.18	18.57	3.68
	25	9.43	1.66	11.29	2.03	13.07	2.44	14.00	2.67	14.93	2.90	16.71	3.40	18.57	3.94
	27	9.43	1.76	11.29	2.16	13.07	2.61	14.00	2.84	14.93	3.10	16.71	3.63	18.57	4.21
	29	9.43	1.87	11.29	2.29	13.07	2.77	14.00	3.03	14.93	3.30	16.71	3.87	18.57	4.50
	31	9.43	1.97	11.29	2.43	13.07	2.95	14.00	3.22	14.93	3.51	16.71	4.13	18.57	4.79
	33	9.43	2.10	11.29	2.59	13.07	3.14	14.00	3.43	14.93	3.74	16.71	4.40	18.57	5.11
35	9.43	2.22	11.29	2.75	13.07	3.33	14.00	3.65	14.93	3.98	16.71	4.69	18.57	5.45	
37	9.43	2.34	11.29	2.91	13.07	3.54	14.00	3.87	14.93	4.23	16.71	4.99	18.57	5.80	
39	9.43	2.48	11.29	3.08	13.07	3.76	14.00	4.12	14.93	4.50	16.71	5.30	18.57	6.18	
41	9.43	2.59	11.29	3.19	13.07	3.87	14.00	4.26	14.93	4.63	16.71	5.52	18.57	6.46	

	43	9.43	2.80	11.29	3.41	13.07	4.03	14.00	4.48	14.93	4.77	16.71	5.72	18.57	6.66
	45	9.43	2.87	11.29	3.48	13.07	4.11	14.00	4.56	14.93	5.01	16.71	6.03	18.57	6.91
	48	9.43	2.94	11.29	3.52	13.07	4.15	14.00	4.63	14.93	5.15	16.71	6.30	18.57	7.08
60%	-5	8.07	1.14	9.64	1.32	11.21	1.54	12.00	1.64	12.79	1.77	14.36	1.98	15.93	2.28
	-2	8.07	1.14	9.64	1.34	11.21	1.56	12.00	1.66	12.79	1.79	14.36	2.01	15.93	2.29
	0	8.07	1.16	9.64	1.36	11.21	1.58	12.00	1.68	12.79	1.82	14.36	2.04	15.93	2.32
	2	8.07	1.18	9.64	1.39	11.21	1.61	12.00	1.71	12.79	1.84	14.36	2.09	15.93	2.35
	4	8.07	1.21	9.64	1.41	11.21	1.65	12.00	1.73	12.79	1.87	14.36	2.12	15.93	2.38
	6	8.07	1.23	9.64	1.44	11.21	1.68	12.00	1.77	12.79	1.90	14.36	2.16	15.93	2.44
	8	8.07	1.25	9.64	1.46	11.21	1.71	12.00	1.81	12.79	1.94	14.36	2.20	15.93	2.48
	10	8.07	1.27	9.64	1.50	11.21	1.73	12.00	1.86	12.79	1.98	14.36	2.24	15.93	2.52
	12	8.07	1.30	9.64	1.52	11.21	1.77	12.00	1.89	12.79	2.01	14.36	2.29	15.93	2.56
	14	8.07	1.32	9.64	1.55	11.21	1.79	12.00	1.92	12.79	2.05	14.36	2.33	15.93	2.61
	16	8.07	1.33	9.64	1.57	11.21	1.82	12.00	1.96	12.79	2.09	14.36	2.37	15.93	2.66
	18	8.07	1.36	9.64	1.59	11.21	1.86	12.00	1.99	12.79	2.13	14.36	2.41	15.93	2.70
	20	8.07	1.37	9.64	1.63	11.21	1.89	12.00	2.03	12.79	2.17	14.36	2.46	15.93	2.76
	21	8.07	1.39	9.64	1.64	11.21	1.91	12.00	2.05	12.79	2.19	14.36	2.48	15.93	2.79
	23	8.07	1.41	9.64	1.67	11.21	1.94	12.00	2.09	12.79	2.23	14.36	2.58	15.93	2.97
	25	8.07	1.43	9.64	1.69	11.21	2.01	12.00	2.19	12.79	2.37	14.36	2.75	15.93	3.16
	27	8.07	1.49	9.64	1.80	11.21	2.15	12.00	2.33	12.79	2.52	14.36	2.93	15.93	3.38
	29	8.07	1.57	9.64	1.91	11.21	2.29	12.00	2.48	12.79	2.69	14.36	3.13	15.93	3.61
	31	8.07	1.67	9.64	2.02	11.21	2.42	12.00	2.64	12.79	2.86	14.36	3.33	15.93	3.84
	33	8.07	1.76	9.64	2.15	11.21	2.57	12.00	2.80	12.79	3.04	14.36	3.54	15.93	4.09
35	8.07	1.87	9.64	2.28	11.21	2.73	12.00	2.98	12.79	3.23	14.36	3.77	15.93	4.36	
37	8.07	1.97	9.64	2.41	11.21	2.89	12.00	3.16	12.79	3.43	14.36	4.01	15.93	4.64	
39	8.07	2.08	9.64	2.55	11.21	3.07	12.00	3.35	12.79	3.64	14.36	4.26	15.93	4.93	
41	8.07	2.15	9.64	2.66	11.21	3.18	12.00	3.48	12.79	3.78	14.36	4.46	15.93	5.16	
43	8.07	2.21	9.64	2.77	11.21	3.29	12.00	3.58	12.79	3.91	14.36	4.65	15.93	5.38	
45	8.07	2.32	9.64	2.91	11.21	3.42	12.00	3.72	12.79	4.10	14.36	4.86	15.93	5.68	
48	8.07	2.40	9.64	3.04	11.21	3.54	12.00	3.81	12.79	4.26	14.36	5.03	15.93	5.94	
50%	-5	6.75	0.99	8.07	1.14	9.36	1.31	10.00	1.37	10.64	1.45	11.93	1.65	13.29	1.78
	-2	6.75	0.99	8.07	1.16	9.36	1.33	10.00	1.39	10.64	1.47	11.93	1.67	13.29	1.80
	0	6.75	1.01	8.07	1.18	9.36	1.35	10.00	1.41	10.64	1.49	11.93	1.70	13.29	1.83
	2	6.75	1.03	8.07	1.20	9.36	1.37	10.00	1.43	10.64	1.52	11.93	1.70	13.29	1.87
	4	6.75	1.04	8.07	1.22	9.36	1.39	10.00	1.45	10.64	1.55	11.93	1.75	13.29	1.91
	6	6.75	1.05	8.07	1.24	9.36	1.41	10.00	1.48	10.64	1.58	11.93	1.77	13.29	1.97
	8	6.75	1.08	8.07	1.26	9.36	1.43	10.00	1.52	10.64	1.60	11.93	1.80	13.29	2.03
	10	6.75	1.10	8.07	1.27	9.36	1.46	10.00	1.54	10.64	1.64	11.93	1.85	13.29	2.06
	12	6.75	1.11	8.07	1.29	9.36	1.48	10.00	1.57	10.64	1.68	11.93	1.88	13.29	2.10
	14	6.75	1.13	8.07	1.31	9.36	1.50	10.00	1.60	10.64	1.70	11.93	1.92	13.29	2.14
	16	6.75	1.14	8.07	1.32	9.36	1.52	10.00	1.63	10.64	1.73	11.93	1.95	13.29	2.17
	18	6.75	1.16	8.07	1.35	9.36	1.55	10.00	1.65	10.64	1.76	11.93	1.98	13.29	2.21
	20	6.75	1.18	8.07	1.36	9.36	1.57	10.00	1.68	10.64	1.79	11.93	2.01	13.29	2.25
	21	6.75	1.18	8.07	1.38	9.36	1.59	10.00	1.69	10.64	1.81	11.93	2.04	13.29	2.28
	23	6.75	1.20	8.07	1.40	9.36	1.61	10.00	1.73	10.64	1.84	11.93	2.07	13.29	2.33
	25	6.75	1.22	8.07	1.42	9.36	1.64	10.00	1.76	10.64	1.90	11.93	2.18	13.29	2.48
	27	6.75	1.24	8.07	1.48	9.36	1.73	10.00	1.87	10.64	2.01	11.93	2.32	13.29	2.65
	29	6.75	1.31	8.07	1.56	9.36	1.84	10.00	1.99	10.64	2.15	11.93	2.47	13.29	2.82
	31	6.75	1.38	8.07	1.65	9.36	1.95	10.00	2.11	10.64	2.28	11.93	2.62	13.29	3.00
	33	6.75	1.46	8.07	1.75	9.36	2.07	10.00	2.24	10.64	2.42	11.93	2.79	13.29	3.19
35	6.75	1.55	8.07	1.85	9.36	2.19	10.00	2.37	10.64	2.56	11.93	2.96	13.29	3.39	
37	6.75	1.63	8.07	1.96	9.36	2.32	10.00	2.51	10.64	2.71	11.93	3.14	13.29	3.60	
39	6.75	1.72	8.07	2.06	9.36	2.45	10.00	2.66	10.64	2.88	11.93	3.33	13.29	3.82	
41	6.75	1.79	8.07	2.15	9.36	2.54	10.00	2.78	10.64	3.00	11.93	3.51	13.29	4.00	
43	6.75	1.91	8.07	2.30	9.36	2.63	10.00	2.90	10.64	3.08	11.93	3.68	13.29	4.18	
45	6.75	1.95	8.07	2.36	9.36	2.80	10.00	3.13	10.64	3.21	11.93	4.04	13.29	4.53	
48	6.75	2.00	8.07	2.43	9.36	2.97	10.00	3.33	10.64	3.35	11.93	4.36	13.29	4.88	

Note:

- 1, [] are tested under our standard condition.
- 2, In cooling mode, avoid the outdoor air temperature range from 42-46 degree C, when selecting the models.
- 3, The above table shows the average value of conditions may operate.
- 4, It is recommended to connect less than 130%.

Heating

Combination (%) (Capacity index)	Outdoor Air temperature (°C DB)		Indoor temperature(°C WB)											
			16		18		20		21		22		24	
			TC	PI	TC	PI	TC	PI	TC	PI	TC	PI	TC	PI
	°C DB	°C WB	kW	kW	kW	kW	kW	kW	kW	kW	kW	kW	kW	kW
130%	-19.8	-20	14.25	4.31	14.18	4.61	14.11	4.92	14.11	5.07	14.04	5.22	14.04	5.53
	-18.8	-19	14.46	4.40	14.39	4.71	14.39	5.01	14.32	5.16	14.32	5.30	14.25	5.60
	-16.7	-17	15.02	4.61	14.94	4.90	14.87	5.19	14.87	5.33	14.87	5.47	14.81	5.76
	-13.7	-15	15.64	4.82	15.58	5.10	15.51	5.38	15.51	5.51	15.43	5.66	15.43	5.93
	-11.8	-13	16.27	5.04	16.27	5.31	16.20	5.57	16.13	5.70	16.13	5.84	16.06	6.10
	-9.8	-11	17.04	5.26	16.97	5.51	16.90	5.77	16.90	5.89	16.90	6.02	16.83	6.27
	-9.5	-10	17.46	5.37	17.39	5.62	17.32	5.86	17.32	5.99	17.25	6.11	17.25	6.35
	-8.5	-9.1	17.81	5.47	17.74	5.70	17.74	5.95	17.67	6.07	17.67	6.19	17.60	6.43
	-7	-7.6	18.44	5.62	18.44	5.86	18.37	6.09	18.37	6.21	18.30	6.32	18.23	6.56
	-5	-5.6	19.42	5.84	19.34	6.06	19.27	6.28	19.27	6.39	19.21	6.50	19.21	6.72
	-3	-3.7	20.32	6.03	20.25	6.24	20.25	6.45	20.18	6.56	20.18	6.66	20.11	6.87
	0	-0.7	21.93	6.32	21.93	6.52	21.86	6.71	21.86	6.78	21.79	6.91	21.79	7.10
	3	2.2	23.67	6.58	23.61	6.77	23.54	6.95	23.54	7.03	23.54	7.13	23.47	7.30
	5	4.1	24.86	6.75	24.79	6.92	24.79	7.09	24.72	7.18	24.72	7.26	24.65	7.43
	7	6	26.12	6.91	26.05	7.07	26.05	7.23	25.98	7.31	25.98	7.39	24.93	7.10
	9	7.9	27.45	7.05	27.38	7.21	27.38	7.36	27.31	7.44	26.75	7.28	24.93	6.67
11	9.8	28.84	7.19	28.78	7.34	28.63	7.43	27.66	7.14	26.75	6.84	24.93	6.28	
13	11.8	30.38	7.33	30.31	7.47	28.63	6.96	27.66	6.69	26.75	6.42	24.93	5.89	
15	13.7	31.85	7.45	30.45	7.07	28.63	6.56	27.66	6.31	26.75	6.05	24.93	5.56	
120%	-19.8	-20	14.18	4.72	14.11	5.00	14.04	5.28	14.04	5.42	14.04	5.56	13.97	5.85
	-18.8	-19	14.39	4.81	14.32	5.09	14.32	5.36	14.25	5.50	14.25	5.64	14.18	5.92
	-16.7	-17	14.95	5.00	14.88	5.27	14.78	5.53	14.81	5.66	14.81	5.80	14.74	6.06
	-13.7	-15	15.58	5.20	15.51	5.45	15.44	5.70	15.44	5.84	15.44	5.97	15.37	6.22
	-11.8	-13	16.20	5.40	16.20	5.64	16.13	5.89	16.13	6.01	16.06	6.13	16.06	6.38
	-9.8	-11	16.97	5.60	16.90	5.83	16.90	6.07	16.83	6.19	16.83	6.30	16.76	6.54
	-9.5	-10	17.39	5.70	17.32	5.93	17.25	6.16	17.25	6.27	17.25	6.39	17.18	6.61
	-8.5	-9.1	17.74	5.79	17.67	6.01	17.67	6.23	17.60	6.35	17.60	6.46	17.53	6.69
	-7	-7.6	18.37	5.94	18.37	6.16	18.30	6.37	18.30	6.48	18.23	6.58	18.23	6.80
	-5	-5.6	19.35	6.13	19.28	6.34	19.21	6.54	19.21	6.65	19.21	6.75	19.14	6.95
	-3	-3.7	20.26	6.31	20.26	6.51	20.19	6.70	20.19	6.80	20.12	6.90	20.12	7.09
	0	-0.7	21.86	6.58	21.86	6.77	21.79	6.94	21.79	7.04	21.72	7.12	21.72	7.30
	3	2.2	23.61	6.83	23.54	7.00	23.54	7.16	23.47	7.25	23.47	7.33	22.98	7.29
	5	4.1	24.79	6.98	24.72	7.14	24.72	7.30	24.65	7.38	24.65	7.46	22.98	6.84
	7	6	26.05	7.12	26.05	7.27	25.98	7.42	25.56	7.32	24.72	7.02	22.98	6.44
	9	7.9	27.38	7.26	27.31	7.41	26.40	7.16	25.56	6.88	24.72	6.60	22.98	6.06
11	9.8	28.78	7.39	28.08	7.26	26.40	6.73	25.56	6.47	24.72	6.21	22.98	5.71	
13	11.8	29.82	7.32	28.08	6.81	26.40	6.31	25.56	6.08	24.72	5.84	22.98	5.37	
15	13.7	29.82	6.89	28.08	6.42	26.40	5.96	25.56	5.73	24.72	5.51	22.98	5.07	
110%	-19.8	-20	14.11	5.13	14.04	5.39	13.97	5.65	13.97	5.78	13.97	5.90	13.90	6.16
	-18.8	-19	14.32	5.21	14.25	5.47	14.25	5.72	14.25	5.85	14.18	5.97	14.18	6.23
	-16.7	-17	14.88	5.39	14.81	5.63	15.01	5.88	14.74	6.00	14.74	6.12	14.67	6.36
	-13.7	-15	15.51	5.57	15.44	5.81	15.37	6.04	15.37	6.16	15.37	6.27	15.29	6.50
	-11.8	-13	16.13	5.76	16.13	5.98	16.06	6.20	16.06	6.31	15.99	6.43	15.99	6.65
	-9.8	-11	16.90	5.94	16.83	6.16	16.83	6.37	16.76	6.48	16.76	6.58	16.76	6.80
	-9.5	-10	17.32	6.04	17.25	6.24	17.18	6.46	17.18	6.56	17.18	6.66	17.11	6.87
	-8.5	-9.1	17.67	6.12	17.60	6.32	17.60	6.53	17.53	6.63	17.53	6.73	17.53	6.14
	-7	-7.6	18.30	6.26	18.30	6.45	18.23	6.65	18.23	6.75	18.23	6.84	18.16	7.04
	-5	-5.6	19.28	6.43	19.21	6.62	19.14	6.81	19.14	6.90	19.14	7.00	19.07	7.19
	-3	-3.7	20.19	6.60	20.19	6.77	20.12	6.96	20.12	7.04	20.04	7.13	20.04	7.31
	0	-0.7	21.79	6.84	21.79	7.01	21.72	7.18	21.72	7.26	21.72	7.34	21.09	7.20
	3	2.2	23.54	7.07	23.47	7.23	23.47	7.38	23.40	7.45	22.63	7.15	21.09	6.55
	5	4.1	24.72	7.21	24.72	7.36	24.24	7.29	23.40	7.00	22.63	6.72	21.09	6.16
	7	6	25.98	7.34	25.77	7.39	24.24	6.84	23.40	6.58	22.63	6.31	21.09	5.80
	9	7.9	27.31	7.46	25.77	6.95	24.24	6.44	23.40	6.19	22.63	5.94	21.09	5.47
11	9.8	27.31	7.02	25.77	6.54	24.24	6.06	23.40	5.83	22.63	5.60	21.09	5.16	
13	11.8	27.31	6.58	25.77	6.13	24.24	5.70	23.40	5.48	22.63	5.27	21.09	4.86	
15	13.7	27.31	5.85	25.77	5.78	24.24	5.38	23.40	5.17	22.63	4.98	21.09	4.59	

100%	-19.8	-20	14.04	5.55	13.97	5.78	13.97	6.01	13.90	6.13	13.90	6.24	13.83	6.48
	-18.8	-19	14.25	5.62	14.25	5.85	14.18	6.08	14.18	6.20	14.11	6.31	14.11	6.54
	-16.7	-17	14.81	5.78	14.74	6.00	14.74	6.22	14.67	6.33	14.67	6.44	14.67	6.66
	-13.7	-15	15.44	5.94	15.36	6.16	15.29	6.37	15.29	6.48	15.29	6.58	15.23	6.80
	-11.8	-13	16.06	6.12	16.06	6.31	15.99	6.52	15.99	6.62	15.99	6.73	15.92	6.93
	-9.8	-11	16.83	6.28	16.76	6.48	16.76	6.67	16.76	6.77	16.69	6.87	16.69	7.06
	-9.5	-10	17.25	6.37	17.18	6.56	17.18	6.75	17.11	6.84	17.11	6.94	17.04	7.13
	-8.5	-9.1	17.60	6.44	17.53	6.63	17.53	6.81	17.53	6.91	17.46	7.00	17.46	7.19
	-7	-7.6	18.23	6.57	18.23	6.75	18.16	6.92	18.16	7.02	18.16	7.11	18.09	7.29
	-5	-5.6	19.21	6.73	19.14	6.90	19.14	7.07	19.07	7.15	19.07	7.24	19.00	7.42
	-3	-3.7	20.11	6.88	20.11	6.25	20.04	7.21	20.04	7.29	20.04	7.37	19.21	7.06
	0	-0.7	21.72	7.11	21.72	7.26	21.65	7.41	21.30	7.29	20.60	6.99	19.21	6.41
	3	2.2	23.47	7.31	23.40	7.45	22.00	6.89	21.30	6.62	20.60	6.36	19.21	5.84
	5	4.1	24.65	7.45	23.40	7.00	22.00	6.48	21.30	6.23	20.60	5.99	19.21	5.51
	7	6	24.79	7.07	23.40	6.58	22.00	6.10	21.30	5.87	20.60	5.64	19.21	5.19
	9	7.9	24.79	6.64	23.40	6.19	22.00	5.74	21.30	5.46	20.60	5.32	19.21	4.90
11	9.8	24.79	6.25	23.40	5.83	22.00	5.42	21.30	5.21	20.60	5.01	19.21	4.63	
13	11.8	24.79	5.87	23.40	5.48	22.00	5.10	21.30	4.91	20.60	4.73	19.21	4.37	
15	13.7	24.79	5.54	23.40	5.17	22.00	4.82	21.30	4.64	20.60	4.47	19.21	4.14	
90%	-19.8	-20	13.94	5.96	13.87	6.16	13.87	6.38	13.80	6.48	13.80	6.59	13.80	6.80
	-18.8	-19	14.15	6.02	14.15	6.23	14.08	6.44	14.08	6.54	14.08	6.65	14.01	6.85
	-16.7	-17	14.71	6.17	14.64	6.37	14.64	6.57	14.64	6.67	14.57	6.77	14.57	6.96
	-13.7	-15	15.34	6.32	15.27	6.51	15.27	6.70	15.20	6.80	15.20	6.89	15.20	7.08
	-11.8	-13	15.96	6.47	15.96	6.65	15.90	6.84	15.90	6.93	15.90	7.02	15.83	7.20
	-9.8	-11	16.73	6.62	16.73	6.80	16.66	6.97	16.66	7.06	16.66	7.15	16.59	7.33
	-9.5	-10	17.15	6.70	17.08	6.88	17.08	7.04	17.01	7.13	17.01	7.22	17.01	7.38
	-8.5	-9.1	17.50	6.77	17.50	6.94	17.43	7.11	17.43	7.19	17.43	7.27	17.22	7.34
	-7	-7.6	18.13	6.88	18.13	7.04	18.06	7.21	18.06	7.29	18.06	7.37	17.22	7.01
	-5	-5.6	19.10	7.03	19.03	7.19	19.03	7.34	18.96	7.42	18.48	7.19	17.22	6.59
	-3	-3.7	20.01	7.17	20.01	7.31	19.80	7.34	19.10	7.05	18.48	6.77	17.22	6.21
	0	-0.7	21.68	7.38	21.06	7.19	19.80	6.66	19.10	6.40	18.48	6.15	17.22	5.65
	3	2.2	22.31	7.03	21.06	6.54	19.80	6.07	19.10	5.84	18.48	5.61	17.22	5.16
	5	4.1	22.31	6.61	21.06	6.16	19.80	5.72	19.10	5.50	18.48	5.29	17.22	4.87
	7	6	22.31	6.21	21.06	5.80	19.80	5.39	19.10	5.19	18.48	4.99	17.22	4.60
	9	7.9	22.31	5.85	21.06	5.46	19.80	5.08	19.10	4.90	18.48	4.71	17.22	4.35
11	9.8	22.31	5.51	21.06	5.15	19.80	4.80	19.10	4.63	18.48	4.45	17.22	4.12	
13	11.8	22.31	5.19	21.06	4.86	19.80	4.52	19.10	4.37	18.48	4.21	17.22	3.89	
15	13.7	22.31	4.90	21.06	4.59	19.80	4.29	19.10	4.13	18.48	3.98	17.22	3.69	
80%	-19.8	-20	13.90	6.37	13.83	6.55	13.83	6.74	13.83	6.84	13.76	6.93	13.76	7.11
	-18.8	-19	14.11	6.42	14.11	6.61	14.04	6.80	14.04	6.89	14.04	6.98	13.97	7.17
	-16.7	-17	14.67	6.56	14.60	6.73	14.60	6.92	14.60	7.00	14.60	7.09	14.53	7.26
	-13.7	-15	15.29	6.69	15.23	6.86	15.23	7.03	15.23	7.11	15.16	7.20	15.16	7.37
	-11.8	-13	15.92	6.83	15.92	6.99	15.85	7.15	15.85	7.23	15.85	7.32	15.36	7.12
	-9.8	-11	16.69	6.96	16.69	7.12	16.62	7.28	16.62	7.35	16.48	7.34	15.36	6.73
	-9.5	-10	17.11	7.03	17.04	7.18	17.04	7.34	17.04	7.41	16.48	7.12	15.36	6.53
	-8.5	-9.1	17.46	7.10	16.23	7.25	17.39	7.39	17.04	7.22	16.48	6.93	15.36	6.35
	-7	-7.6	18.09	7.20	18.09	7.34	17.60	7.18	17.04	6.90	16.48	6.62	15.36	6.08
	-5	-5.6	19.07	7.33	18.72	7.29	17.60	6.75	17.04	6.49	16.48	6.23	15.36	5.72
	-3	-3.7	19.84	7.37	18.72	6.86	17.60	6.35	17.04	6.12	16.48	5.87	15.36	5.40
	0	-0.7	19.84	6.69	18.72	6.23	17.60	5.78	17.04	5.57	16.48	5.35	15.36	4.93
	3	2.2	19.84	6.09	18.72	5.68	17.60	5.28	17.04	5.09	16.48	4.90	15.36	4.52
	5	4.1	19.84	5.74	18.72	5.35	17.60	4.98	17.04	4.80	16.48	4.63	15.36	4.27
	7	6	19.84	5.40	18.72	5.05	17.60	4.71	17.04	4.54	16.48	4.37	15.36	4.04
	9	7.9	19.84	5.10	18.72	4.77	17.60	4.44	17.04	4.29	16.48	4.14	15.36	3.83
11	9.8	19.84	4.82	18.72	4.51	17.60	4.21	17.04	4.06	16.48	3.91	15.36	3.63	
13	11.8	19.84	4.54	18.72	4.25	17.60	3.98	17.04	3.83	16.48	3.70	15.36	3.43	
15	13.7	19.84	4.29	18.72	4.03	17.60	3.77	17.04	3.64	16.48	3.51	15.36	3.26	
70%	-19.8	-20	13.80	6.78	13.73	6.94	13.73	7.11	13.73	7.19	13.73	7.27	13.38	7.19
	-18.8	-19	14.01	6.84	14.01	6.99	13.94	7.15	13.94	7.23	13.94	7.32	13.38	7.04
	-16.7	-17	14.56	6.95	14.56	7.11	14.49	7.26	14.49	7.34	14.35	6.54	13.38	6.72
	-13.7	-15	15.19	7.07	15.12	7.22	15.12	7.37	14.84	7.26	14.35	6.96	13.38	6.38

	-11.8	-13	15.82	7.19	15.82	7.33	15.40	7.15	14.84	6.88	14.35	6.60	13.38	6.05
	-9.8	-11	16.58	7.30	16.37	7.30	15.40	6.76	14.84	6.50	14.35	6.23	13.38	5.73
	-9.5	-10	17.00	7.37	16.37	7.08	15.40	6.56	14.84	6.31	14.35	6.06	13.38	5.57
	-8.5	-9.1	17.35	7.41	16.37	6.89	15.40	6.38	14.84	6.14	14.35	5.90	13.38	5.43
	-7	-7.6	17.35	7.07	16.37	6.58	15.40	6.11	14.84	5.88	14.35	5.65	13.38	5.20
	-5	-5.6	17.35	6.65	16.37	6.19	15.40	5.75	14.84	5.53	14.35	5.53	13.38	4.90
	-3	-3.7	17.35	6.26	16.37	5.84	15.40	5.43	14.84	5.22	14.35	5.02	13.38	4.63
	0	-0.7	17.35	5.70	16.37	5.32	15.40	4.95	14.84	4.77	14.35	4.59	13.38	4.25
	3	2.2	17.35	5.20	16.37	4.87	15.40	4.54	14.84	4.37	14.35	4.21	13.38	3.90
	5	4.1	17.35	4.91	16.37	4.59	15.40	4.29	14.84	4.13	14.35	3.98	13.38	3.69
	7	6	17.35	4.64	16.37	4.35	15.40	4.06	14.84	3.91	14.35	3.78	13.38	3.50
	9	7.9	17.35	4.39	16.37	4.11	15.40	3.84	14.84	3.71	14.35	3.58	13.38	3.32
	11	9.8	17.35	4.15	16.37	3.89	15.40	3.64	14.84	3.52	14.35	3.40	13.38	3.15
	13	11.8	17.35	3.92	16.37	3.68	15.40	3.45	14.84	3.34	14.35	3.22	13.38	2.99
	15	13.7	17.35	3.72	16.37	3.49	15.40	3.27	14.84	3.17	14.35	3.06	13.38	2.85
60%	-19.8	-20	13.76	7.19	13.69	7.33	13.20	7.05	12.78	6.77	12.36	6.50	11.52	5.96
	-18.8	-19	13.97	7.24	13.97	7.38	13.20	6.90	12.78	6.63	12.36	6.36	11.52	5.84
	-16.7	-17	14.53	7.34	14.04	7.11	13.20	6.58	12.78	6.33	12.36	6.08	11.52	5.58
	-13.7	-15	14.88	7.26	14.04	6.75	13.20	6.26	12.78	6.02	12.36	5.78	11.52	5.32
	-11.8	-13	14.88	6.87	14.04	6.39	13.20	5.93	12.78	5.71	12.36	5.49	11.52	5.08
	-9.8	-11	14.88	6.49	14.04	6.04	13.20	5.62	12.78	5.40	12.36	5.20	11.52	4.79
	-9.5	-10	14.88	6.31	14.04	5.88	13.20	5.46	12.78	5.26	12.36	5.05	11.52	4.66
	-8.5	-9.1	14.88	6.14	14.04	5.73	13.20	5.32	12.78	5.13	12.36	4.93	11.52	4.55
	-7	-7.6	14.88	5.87	14.04	5.48	13.20	5.09	12.78	4.91	12.36	4.72	11.52	4.36
	-5	-5.6	14.88	5.53	14.04	5.16	13.20	4.81	12.78	4.63	12.36	4.46	11.52	4.13
	-3	-3.7	14.88	5.22	14.04	4.88	13.20	4.55	12.78	4.39	12.36	4.22	11.52	3.91
	0	-0.7	14.88	4.77	14.04	4.47	13.20	4.17	12.78	4.02	12.36	3.87	11.52	3.59
	3	2.2	14.88	4.37	14.04	4.10	13.20	3.83	12.78	3.70	12.36	3.57	11.52	3.31
	5	4.1	14.88	4.14	14.04	3.88	13.20	3.63	12.78	3.51	12.36	3.38	11.52	3.14
	7	6	14.88	3.91	14.04	3.68	13.20	3.44	12.78	3.33	12.36	3.22	11.52	2.99
9	7.9	14.88	3.71	14.04	3.49	13.20	3.26	12.78	3.16	12.36	3.05	11.52	2.84	
11	9.8	14.88	3.52	14.04	3.31	13.20	3.11	12.78	3.00	12.36	2.90	11.52	2.71	
13	11.8	14.88	3.33	14.04	3.14	13.20	2.95	12.78	2.85	12.36	2.76	11.52	2.57	
15	13.7	14.88	3.17	14.04	2.98	13.20	2.80	12.78	2.72	12.36	2.63	11.52	2.46	
50%	-19.8	-20	12.39	6.54	11.70	6.09	11.00	5.66	10.58	5.45	10.23	5.24	9.54	4.82
	-18.8	-19	12.39	6.40	11.70	5.97	11.00	5.55	10.58	5.33	10.23	5.13	9.54	4.73
	-16.7	-17	12.39	6.11	11.70	5.70	11.00	5.30	10.58	5.10	10.23	4.91	9.54	4.53
	-13.7	-15	12.39	5.81	11.70	5.43	11.00	5.05	10.58	4.86	10.23	4.68	9.54	4.33
	-11.8	-13	12.39	5.52	11.70	5.16	11.00	4.80	10.58	4.63	10.23	4.45	9.54	4.12
	-9.8	-11	12.39	5.23	11.70	4.89	11.00	4.55	10.58	4.39	10.23	4.23	9.54	3.91
	-9.5	-10	12.39	5.09	11.70	4.75	11.00	4.44	10.58	4.28	10.23	4.12	9.54	3.81
	-8.5	-9.1	12.39	4.96	11.70	4.64	11.00	4.33	10.58	4.17	10.23	4.02	9.54	3.72
	-7	-7.6	12.39	4.75	11.70	4.45	11.00	4.15	10.58	4.01	10.23	3.87	9.54	3.58
	-5	-5.6	12.39	4.48	11.70	4.21	11.00	3.93	10.58	3.79	10.23	3.66	9.54	3.39
	-3	-3.7	12.39	4.25	11.70	3.98	11.00	3.72	10.58	3.60	10.23	3.47	9.54	3.22
	0	-0.7	12.39	3.90	11.70	3.66	11.00	3.43	10.58	3.31	10.23	3.20	9.54	2.98
	3	2.2	12.39	3.59	11.70	3.37	11.00	3.16	10.58	3.06	10.23	2.95	9.54	2.76
	5	4.1	12.39	3.41	11.70	3.20	11.00	3.00	10.58	2.91	10.23	2.81	9.54	2.62
	7	6	12.39	3.23	11.70	3.04	11.00	2.86	10.58	2.76	10.23	2.68	9.54	2.50
9	7.9	12.39	3.07	11.70	2.89	11.00	2.72	10.58	2.64	10.23	2.55	9.54	2.38	
11	9.8	12.39	2.92	11.70	2.75	11.00	2.59	10.58	2.51	10.23	2.43	9.54	2.27	
13	11.8	12.39	2.77	11.70	2.61	11.00	2.46	10.58	2.39	10.23	2.31	9.54	2.17	
15	13.7	12.39	2.64	11.70	2.50	11.00	2.35	10.58	2.28	10.23	2.21	9.54	2.08	

Note:

- 1, [] are tested under our standard condition.
- 2, In heating mode, avoid the outdoor air temperature range from -15 to -20 degree C, when selecting the models.
- 3, The above table shows the average value of conditions may operate.
- 4, It is recommended to connect less than 130%.

MDV-V224W/DRN1

Cooling

Combination (%) (Capacity index)	Outdoor temperature (°C DB)	Indoor temperature(° C DB/WD)													
		DB:20.8,WB		DB:23.3,WB		DB:25.8,WB		DB:27,WB:1		DB:28.2,WB:2		DB:30.7,WB:		DB:32,WB:2	
		TC	PI	TC	PI	TC	PI	TC	PI	TC	PI	TC	PI	TC	PI
		kW	kW	kW	kW	kW	kW	kW	kW	kW	kW	kW	kW	kW	kW
130%	-5	19.68	2.78	23.44	3.39	27.20	3.64	28.24	3.78	29.60	3.89	30.32	4.23	31.08	4.26
	-2	19.68	2.78	23.44	3.46	27.20	3.64	28.24	3.81	29.60	3.89	30.32	4.29	31.08	4.30
	0	19.68	2.83	23.44	3.52	27.20	3.77	28.24	4.02	29.60	4.12	30.32	4.34	31.08	4.36
	2	19.68	2.88	23.44	3.53	27.20	3.90	28.24	4.24	29.60	4.17	30.32	4.37	31.08	4.42
	4	19.68	2.94	23.44	3.59	27.20	4.03	28.24	4.26	29.60	4.22	30.32	4.37	31.08	4.51
	6	19.68	3.00	23.44	3.67	27.20	4.18	28.24	4.30	29.27	4.35	29.95	4.37	30.74	4.54
	8	19.68	3.07	23.44	3.75	27.20	4.39	28.24	4.51	28.91	4.49	29.62	3.90	30.35	4.59
	10	19.68	3.13	23.44	3.83	27.20	4.55	28.24	4.66	28.56	4.04	29.28	4.06	30.00	4.72
	12	19.68	3.19	23.44	3.90	27.20	4.65	27.84	4.03	28.24	4.06	28.88	4.07	29.60	4.75
	14	19.68	3.25	23.44	3.98	27.12	4.05	27.52	4.06	27.84	4.08	28.56	4.09	29.28	4.86
	16	19.68	3.31	23.44	4.06	26.80	4.06	27.12	4.08	27.44	4.10	28.16	4.12	28.88	4.93
	18	19.68	3.37	23.44	4.14	26.40	4.86	26.72	4.89	27.12	4.91	27.84	4.96	28.56	5.00
	20	19.68	3.45	23.44	4.41	26.00	5.10	26.40	5.12	26.72	5.15	27.44	5.20	28.16	5.25
	21	19.68	3.54	23.44	4.56	25.84	5.22	26.24	5.24	26.56	5.27	27.28	5.32	28.00	5.37
	23	19.68	3.79	23.44	4.89	25.52	5.45	25.84	5.48	26.16	5.51	26.88	5.56	27.60	5.62
	25	19.68	4.05	23.44	5.24	25.12	5.69	25.44	5.72	25.84	5.76	26.56	5.81	27.28	5.87
	27	19.68	4.33	23.44	5.61	24.80	5.93	25.12	5.97	25.44	5.99	26.16	6.06	26.88	6.12
	29	19.68	4.62	23.44	5.99	24.40	6.17	24.72	6.20	25.12	6.24	25.84	6.31	26.56	6.37
	31	19.68	4.93	23.36	6.34	24.00	6.42	24.40	6.45	24.72	6.48	25.44	6.55	26.16	6.63
	33	19.68	5.25	22.96	6.58	23.68	6.65	24.00	6.69	24.40	6.73	25.12	6.80	25.76	6.87
35	19.68	5.60	22.56	6.82	23.28	6.90	23.68	6.94	24.00	6.97	24.72	7.06	25.44	7.13	
37	19.68	5.96	22.24	7.07	22.96	7.15	23.28	7.19	23.68	7.23	24.32	7.31	25.04	7.40	
39	19.68	6.34	21.84	7.14	22.56	7.39	22.96	7.43	23.28	7.48	24.00	7.56	24.72	7.65	
41	19.68	6.68	21.61	7.21	22.32	7.46	22.72	7.50	23.04	7.55	23.76	7.58	23.77	7.72	
43	19.68	6.84	21.46	7.24	22.20	7.48	22.60	7.54	22.81	7.56	23.33	7.59	23.49	7.74	
45	19.68	7.18	21.32	7.31	21.97	7.55	22.37	7.59	22.47	7.59	22.70	7.62	23.03	7.89	
48	19.68	7.44	22.08	7.55	23.95	7.62	24.39	7.65	24.59	7.68	24.48	7.75	24.93	7.77	
120%	-5	18.16	2.69	21.60	3.25	25.12	3.85	26.88	4.19	28.16	4.37	28.80	4.51	29.44	4.63
	-2	18.16	2.71	21.60	3.29	25.12	3.88	26.88	4.22	28.16	4.42	28.80	4.55	29.44	4.65
	0	18.16	2.74	21.60	3.31	25.12	3.93	26.88	4.23	28.16	4.46	28.80	4.58	29.44	4.66
	2	18.16	2.74	21.60	3.34	25.12	3.96	26.88	4.27	28.16	4.48	28.80	4.61	29.44	4.67
	4	18.16	2.77	21.60	3.39	25.12	4.01	26.88	4.31	28.16	4.54	28.80	4.62	29.44	4.68
	6	18.16	2.80	21.60	3.41	25.12	4.06	26.88	4.36	28.16	4.59	28.80	4.66	29.44	4.69
	8	18.16	2.83	21.60	3.45	25.12	4.11	26.88	4.41	28.16	4.63	28.80	4.67	29.44	4.72
	10	18.16	2.86	21.60	3.49	25.12	4.15	26.88	4.49	28.16	4.64	28.80	4.69	29.44	4.74
	12	18.16	2.91	21.60	3.56	25.12	4.23	26.88	4.57	27.76	4.66	28.40	4.66	29.04	4.77
	14	18.16	2.97	21.60	3.63	25.12	4.32	26.88	4.67	27.36	4.69	28.08	4.73	28.72	4.82
	16	18.16	3.02	21.60	3.70	25.12	4.40	26.72	4.10	27.04	4.76	27.68	4.81	28.32	4.90
	18	18.16	3.08	21.60	3.78	25.12	4.55	26.32	4.86	26.64	4.88	27.28	4.92	28.00	4.97
	20	18.16	3.14	21.60	3.92	25.12	4.89	26.00	5.10	26.32	5.11	26.96	5.16	27.60	5.21
	21	18.16	3.17	21.60	4.06	25.12	5.07	25.76	5.21	26.08	5.23	26.80	5.28	27.44	5.33
	23	18.16	3.39	21.60	4.35	25.12	5.43	25.44	5.44	25.76	5.47	26.40	5.53	27.04	5.57
	25	18.16	3.62	21.60	4.66	24.72	5.66	25.04	5.68	25.36	5.71	26.08	5.76	26.72	5.82
	27	18.16	3.87	21.60	4.98	24.40	5.89	24.72	5.93	25.04	5.96	25.68	6.01	26.32	6.07
	29	18.16	4.12	21.60	5.32	24.00	6.13	24.32	6.17	24.64	6.20	25.28	6.26	26.00	6.31
	31	18.16	4.40	21.60	5.67	23.60	6.38	24.00	6.41	24.32	6.44	24.96	6.51	25.60	6.57
	33	18.16	4.68	21.60	6.05	23.28	6.62	23.60	6.65	23.92	6.68	24.56	6.75	25.20	6.82
35	18.16	4.99	21.60	6.45	22.88	6.85	23.20	6.89	23.60	6.93	24.24	7.00	24.88	7.08	
37	18.16	5.31	21.60	6.87	22.56	7.10	22.88	7.14	23.20	7.18	23.84	7.25	24.48	7.33	
39	18.16	5.65	21.52	7.26	22.16	7.34	22.48	7.39	22.80	7.42	23.52	7.51	24.16	7.58	
41	18.16	5.80	21.35	7.31	21.99	7.39	22.31	7.44	22.63	7.48	23.35	7.53	23.46	7.64	
43	18.16	5.89	21.23	7.36	21.81	7.44	22.13	7.47	22.45	7.50	22.94	7.55	23.10	7.79	
45	18.16	5.96	21.12	7.43	21.60	7.51	21.90	7.54	22.26	7.56	22.48	7.57	22.87	7.96	
48	21.04	6.00	24.26	7.51	24.71	7.57	24.97	7.59	25.50	7.62	25.64	7.60	26.15	8.06	
110%	-5	16.64	2.34	19.84	2.92	23.04	3.48	24.64	3.74	26.24	4.02	28.24	4.18	28.88	4.31
	-2	16.64	2.39	19.84	2.96	23.04	3.51	24.64	3.78	26.24	4.05	28.24	4.22	28.88	4.33
	0	16.64	2.41	19.84	2.97	23.04	3.54	24.64	3.80	26.24	4.10	28.24	4.26	28.88	4.38
	2	16.64	2.47	19.84	3.00	23.04	3.59	24.64	3.84	26.24	4.14	28.24	4.32	28.88	4.44
	4	16.64	2.52	19.84	3.04	23.04	3.63	24.64	3.89	26.24	4.21	28.24	4.38	28.88	4.48

	6	16.64	2.54	19.84	3.07	23.04	3.66	24.64	3.95	26.24	4.25	28.24	4.43	28.88	4.55
	8	16.64	2.56	19.84	3.12	23.04	3.71	24.64	3.99	26.24	4.30	28.24	4.46	28.88	4.59
	10	16.64	2.59	19.84	3.16	23.04	3.76	24.64	4.06	26.24	4.37	28.24	4.49	28.88	4.63
	12	16.64	2.65	19.84	3.23	23.04	3.83	24.64	4.14	26.24	4.45	27.92	4.55	28.48	4.69
	14	16.64	2.69	19.84	3.28	23.04	3.90	24.64	4.22	26.24	4.54	27.52	4.59	28.16	4.73
	16	16.64	2.74	19.84	3.35	23.04	3.98	24.64	4.30	26.24	4.63	27.20	4.65	27.76	4.78
	18	16.64	2.80	19.84	3.41	23.04	4.06	24.64	4.42	26.24	4.85	26.80	4.88	27.44	4.93
	20	16.64	2.85	19.84	3.48	23.04	4.30	24.64	4.75	25.84	5.09	26.48	5.12	27.04	5.17
	21	16.64	2.88	19.84	3.58	23.04	4.45	24.64	4.92	25.68	5.21	26.24	5.24	26.88	5.29
	23	16.64	3.02	19.84	3.84	23.04	4.78	24.64	5.28	25.28	5.43	25.92	5.49	26.48	5.54
	25	16.64	3.22	19.84	4.11	23.04	5.10	24.64	5.65	24.96	5.67	25.52	5.73	26.16	5.77
	27	16.64	3.43	19.84	4.39	23.04	5.46	24.24	5.89	24.56	5.91	25.20	5.97	25.76	6.02
	29	16.64	3.66	19.84	4.68	23.04	5.84	23.92	6.13	24.24	6.16	24.80	6.21	25.44	6.27
	31	16.64	3.89	19.84	5.00	23.04	6.23	23.52	6.37	23.84	6.40	24.48	6.45	25.04	6.52
	33	16.64	4.14	19.84	5.33	22.88	6.57	23.20	6.61	23.52	6.64	24.08	6.70	24.72	6.76
	35	16.64	4.41	19.84	5.67	22.48	6.81	22.80	6.85	23.12	6.88	23.68	6.95	24.32	7.01
	37	16.64	4.69	19.84	6.04	22.16	7.06	22.48	7.08	22.72	7.12	23.36	7.19	23.92	7.26
	39	16.64	4.99	19.84	6.43	21.76	7.30	22.08	7.33	22.40	7.37	22.96	7.44	23.60	7.52
	41	16.64	5.04	19.84	6.49	21.59	7.35	21.91	7.38	22.23	7.42	22.67	7.49	22.89	7.57
	43	16.64	5.09	19.84	6.57	21.42	7.40	21.74	7.44	22.06	7.47	22.47	7.52	22.54	7.72
	45	16.64	5.25	19.84	6.61	21.20	7.47	21.51	7.52	21.86	7.54	22.24	7.73	22.33	7.90
	48	18.22	5.44	21.73	7.17	22.88	7.52	23.18	7.58	23.67	7.62	23.95	7.76	24.14	7.99
100%	-5	15.12	2.14	18.00	2.57	20.96	3.06	22.40	3.28	23.84	3.56	26.80	4.05	28.32	4.23
	-2	15.12	2.16	18.00	2.60	20.96	3.09	22.40	3.34	23.84	3.60	26.80	4.10	28.32	4.26
	0	15.12	2.18	18.00	2.63	20.96	3.13	22.40	3.38	23.84	3.64	26.80	4.17	28.32	4.30
	2	15.12	2.23	18.00	2.67	20.96	3.16	22.40	3.42	23.84	3.68	26.80	4.23	28.32	4.37
	4	15.12	2.24	18.00	2.69	20.96	3.21	22.40	3.47	23.84	3.73	26.80	4.27	28.32	4.42
	6	15.12	2.27	18.00	2.75	20.96	3.25	22.40	3.54	23.84	3.78	26.80	4.33	28.32	4.49
	8	15.12	2.32	18.00	2.79	20.96	3.31	22.40	3.58	23.84	3.84	26.80	4.40	28.32	4.56
	10	15.12	2.35	18.00	2.84	20.96	3.36	22.40	3.64	23.84	3.91	26.80	4.47	28.32	4.63
	12	15.12	2.38	18.00	2.90	20.96	3.43	22.40	3.70	23.84	3.99	26.80	4.55	27.92	4.66
	14	15.12	2.43	18.00	2.95	20.96	3.49	22.40	3.78	23.84	4.06	26.80	4.65	27.60	4.72
	16	15.12	2.47	18.00	3.01	20.96	3.57	22.40	3.85	23.84	4.14	26.64	4.70	27.20	4.77
	18	15.12	2.52	18.00	3.06	20.96	3.63	22.40	3.92	23.84	4.22	26.32	4.86	26.88	4.89
	20	15.12	2.57	18.00	3.13	20.96	3.74	22.40	4.12	23.84	4.53	25.92	5.09	26.48	5.13
	21	15.12	2.59	18.00	3.15	20.96	3.88	22.40	4.27	23.84	4.68	25.76	5.21	26.32	5.25
	23	15.12	2.66	18.00	3.36	20.96	4.15	22.40	4.57	23.84	5.02	25.44	5.44	25.92	5.49
	25	15.12	2.83	18.00	3.59	20.96	4.44	22.40	4.90	23.84	5.38	25.04	5.68	25.60	5.73
	27	15.12	3.02	18.00	3.83	20.96	4.75	22.40	5.24	23.84	5.76	24.64	5.92	25.20	5.98
	29	15.12	3.22	18.00	4.09	20.96	5.07	22.40	5.60	23.76	6.11	24.32	6.17	24.88	6.21
	31	15.12	3.43	18.00	4.36	20.96	5.41	22.40	5.98	23.44	6.35	23.92	6.41	24.48	6.46
	33	15.12	3.64	18.00	4.65	20.96	5.76	22.40	6.38	23.04	6.59	23.60	6.64	24.16	6.71
35	15.12	3.87	18.00	4.94	20.96	6.15	22.40	6.80	22.64	6.83	23.20	6.89	23.76	6.95	
37	15.12	4.11	18.00	5.26	20.96	6.55	22.00	7.04	22.32	7.07	22.88	7.14	23.36	7.19	
39	15.12	4.37	18.00	5.59	20.96	6.97	21.68	7.28	21.92	7.31	22.48	7.38	23.04	7.45	
41	15.12	4.58	18.00	5.79	20.96	7.23	21.34	7.33	21.75	7.43	22.09	7.55	22.70	7.60	
43	15.12	4.78	18.00	6.00	20.96	7.36	21.01	7.41	21.59	7.50	22.22	7.60	22.30	7.69	
45	15.12	5.05	18.00	6.27	20.96	7.49	20.56	7.51	21.48	7.63	22.03	7.72	21.86	7.79	
48	15.66	5.27	18.64	6.49	21.71	7.50	20.42	7.60	22.21	7.77	21.43	7.80	22.14	7.86	
90%	-5	13.60	1.89	16.24	2.27	18.88	2.67	20.16	2.92	21.44	3.10	24.08	3.57	26.72	4.08
	-2	13.60	1.91	16.24	2.29	18.88	2.71	20.16	2.96	21.44	3.14	24.08	3.60	26.72	4.13
	0	13.60	1.93	16.24	2.32	18.88	2.75	20.16	2.99	21.44	3.18	24.08	3.64	26.72	4.16
	2	13.60	1.96	16.24	2.35	18.88	2.78	20.16	3.04	21.44	3.23	24.08	3.72	26.72	4.22
	4	13.60	1.99	16.24	2.38	18.88	2.82	20.16	3.08	21.44	3.27	24.08	3.78	26.72	4.28
	6	13.60	2.02	16.24	2.43	18.88	2.88	20.16	3.14	21.44	3.33	24.08	3.84	26.72	4.35
	8	13.60	2.06	16.24	2.48	18.88	2.93	20.16	3.18	21.44	3.39	24.08	3.91	26.72	4.39
	10	13.60	2.10	16.24	2.53	18.88	2.99	20.16	3.23	21.44	3.46	24.08	3.96	26.72	4.46
	12	13.60	2.14	16.24	2.57	18.88	3.04	20.16	3.28	21.44	3.53	24.08	4.03	26.72	4.55
	14	13.60	2.17	16.24	2.62	18.88	3.10	20.16	3.34	21.44	3.59	24.08	4.11	26.72	4.63
	16	13.60	2.21	16.24	2.67	18.88	3.16	20.16	3.41	21.44	3.67	24.08	4.19	26.64	4.71
	18	13.60	2.24	16.24	2.72	18.88	3.22	20.16	3.47	21.44	3.74	24.08	4.27	26.32	4.86
	20	13.60	2.29	16.24	2.78	18.88	3.28	20.16	3.55	21.44	3.88	24.08	4.59	25.92	5.09
21	13.60	2.31	16.24	2.80	18.88	3.34	20.16	3.67	21.44	4.01	24.08	4.76	25.76	5.21	
23	13.60	2.36	16.24	2.91	18.88	3.57	20.16	3.93	21.44	4.31	24.08	5.10	25.36	5.44	

	25	13.60	2.48	16.24	3.12	18.88	3.82	20.16	4.21	21.44	4.60	24.08	5.46	25.04	5.68
	27	13.60	2.64	16.24	3.32	18.88	4.08	20.16	4.49	21.44	4.92	24.08	5.85	24.64	5.92
	29	13.60	2.81	16.24	3.54	18.88	4.35	20.16	4.79	21.44	5.26	23.84	6.11	24.32	6.16
	31	13.60	2.99	16.24	3.77	18.88	4.64	20.16	5.11	21.44	5.61	23.44	6.35	23.92	6.41
	33	13.60	3.17	16.24	4.00	18.88	4.95	20.16	5.45	21.44	5.98	23.12	6.60	23.60	6.64
	35	13.60	3.37	16.24	4.26	18.88	5.27	20.16	5.81	21.44	6.38	22.72	6.84	23.20	6.89
	37	13.60	3.57	16.24	4.53	18.88	5.61	20.16	6.19	21.44	6.80	22.32	7.07	22.88	7.13
	39	13.60	3.79	16.24	4.82	18.88	5.97	20.16	6.59	21.44	7.24	22.00	7.32	22.48	7.38
	41	13.60	3.92	16.24	5.04	18.88	6.18	20.16	6.76	21.44	7.28	21.85	7.51	22.33	7.55
	43	13.60	4.11	16.24	5.26	18.88	6.40	20.16	6.94	21.44	7.44	21.74	7.61	22.14	7.67
	45	13.60	4.37	16.24	5.52	18.88	6.66	20.16	7.17	21.44	7.65	21.61	7.69	21.80	7.77
	48	13.60	4.62	16.24	5.77	18.88	6.91	20.16	7.26	21.44	7.71	23.81	7.79	23.57	7.88
80%	-5	12.08	1.66	14.40	1.97	16.72	2.33	17.92	2.48	19.12	2.67	21.44	3.08	23.76	3.52
	-2	12.08	1.69	14.40	1.99	16.72	2.35	17.92	2.52	19.12	2.69	21.44	3.11	23.76	3.55
	0	12.08	1.72	14.40	2.02	16.72	2.38	17.92	2.54	19.12	2.74	21.44	3.16	23.76	3.60
	2	12.08	1.75	14.40	2.05	16.72	2.41	17.92	2.59	19.12	2.79	21.44	3.22	23.76	3.67
	4	12.08	1.78	14.40	2.08	16.72	2.46	17.92	2.65	19.12	2.84	21.44	3.28	23.76	3.72
	6	12.08	1.81	14.40	2.13	16.72	2.50	17.92	2.71	19.12	2.89	21.44	3.33	23.76	3.78
	8	12.08	1.85	14.40	2.18	16.72	2.55	17.92	2.76	19.12	2.96	21.44	3.38	23.76	3.86
	10	12.08	1.86	14.40	2.23	16.72	2.62	17.92	2.82	19.12	3.02	21.44	3.46	23.76	3.90
	12	12.08	1.89	14.40	2.26	16.72	2.67	17.92	2.88	19.12	3.09	21.44	3.52	23.76	3.97
	14	12.08	1.92	14.40	2.31	16.72	2.71	17.92	2.92	19.12	3.14	21.44	3.58	23.76	4.04
	16	12.08	1.95	14.40	2.35	16.72	2.77	17.92	2.98	19.12	3.20	21.44	3.66	23.76	4.11
	18	12.08	1.99	14.40	2.39	16.72	2.82	17.92	3.04	19.12	3.26	21.44	3.73	23.76	4.20
	20	12.08	2.03	14.40	2.44	16.72	2.88	17.92	3.10	19.12	3.33	21.44	3.87	23.76	4.49
	21	12.08	2.04	14.40	2.46	16.72	2.91	17.92	3.13	19.12	3.40	21.44	4.01	23.76	4.66
	23	12.08	2.08	14.40	2.51	16.72	3.04	17.92	3.34	19.12	3.64	21.44	4.29	23.76	4.99
	25	12.08	2.14	14.40	2.67	16.72	3.25	17.92	3.57	19.12	3.89	21.44	4.59	23.76	5.34
	27	12.08	2.28	14.40	2.84	16.72	3.46	17.92	3.80	19.12	4.15	21.44	4.90	23.76	5.72
	29	12.08	2.43	14.40	3.02	16.72	3.69	17.92	4.05	19.12	4.44	21.44	5.23	23.76	6.11
	31	12.08	2.58	14.40	3.22	16.72	3.93	17.92	4.32	19.12	4.73	21.44	5.59	23.36	6.35
	33	12.08	2.74	14.40	3.42	16.72	4.19	17.92	4.60	19.12	5.03	21.44	5.96	23.04	6.59
35	12.08	2.91	14.40	3.64	16.72	4.45	17.92	4.89	19.12	5.36	21.44	6.35	22.64	6.83	
37	12.08	3.08	14.40	3.86	16.72	4.74	17.92	5.21	19.12	5.71	21.44	6.77	22.32	7.07	
39	12.08	3.26	14.40	4.11	16.72	5.04	17.92	5.54	19.12	6.08	21.44	7.21	21.92	7.31	
41	12.08	3.34	14.40	4.15	16.72	5.11	17.92	5.69	19.12	6.19	21.44	7.40	21.79	7.44	
43	12.08	3.43	14.40	4.19	16.72	5.19	17.92	5.79	19.12	6.27	21.44	7.48	21.65	7.52	
45	12.08	3.53	14.40	4.24	16.72	5.29	17.92	5.91	19.12	6.38	21.44	7.56	21.38	7.65	
48	12.08	3.65	14.40	4.27	18.81	5.37	17.92	5.99	19.12	6.43	21.44	7.64	23.85	7.75	
70%	-5	10.56	1.49	12.64	1.74	14.64	1.97	15.68	2.12	16.72	2.26	18.72	2.58	20.80	2.97
	-2	10.56	1.50	12.64	1.75	14.64	1.99	15.68	2.16	16.72	2.30	18.72	2.62	20.80	3.01
	0	10.56	1.51	12.64	1.77	14.64	2.03	15.68	2.20	16.72	2.34	18.72	2.68	20.80	3.05
	2	10.56	1.51	12.64	1.78	14.64	2.06	15.68	2.24	16.72	2.38	18.72	2.73	20.80	3.10
	4	10.56	1.53	12.64	1.83	14.64	2.10	15.68	2.28	16.72	2.43	18.72	2.78	20.80	3.17
	6	10.56	1.56	12.64	1.86	14.64	2.16	15.68	2.35	16.72	2.49	18.72	2.83	20.80	3.23
	8	10.56	1.59	12.64	1.91	14.64	2.21	15.68	2.39	16.72	2.54	18.72	2.91	20.80	3.30
	10	10.56	1.62	12.64	1.94	14.64	2.26	15.68	2.44	16.72	2.61	18.72	2.97	20.80	3.34
	12	10.56	1.66	12.64	1.97	14.64	2.31	15.68	2.48	16.72	2.66	18.72	3.02	20.80	3.40
	14	10.56	1.69	12.64	2.01	14.64	2.35	15.68	2.52	16.72	2.70	18.72	3.08	20.80	3.46
	16	10.56	1.71	12.64	2.04	14.64	2.39	15.68	2.58	16.72	2.76	18.72	3.13	20.80	3.53
	18	10.56	1.74	12.64	2.08	14.64	2.44	15.68	2.62	16.72	2.80	18.72	3.20	20.80	3.60
	20	10.56	1.77	12.64	2.12	14.64	2.48	15.68	2.67	16.72	2.86	18.72	3.26	20.80	3.70
	21	10.56	1.79	12.64	2.14	14.64	2.50	15.68	2.69	16.72	2.89	18.72	3.31	20.80	3.83
	23	10.56	1.81	12.64	2.17	14.64	2.56	15.68	2.79	16.72	3.03	18.72	3.55	20.80	4.11
	25	10.56	1.85	12.64	2.26	14.64	2.72	15.68	2.98	16.72	3.23	18.72	3.79	20.80	4.39
	27	10.56	1.96	12.64	2.41	14.64	2.91	15.68	3.17	16.72	3.46	18.72	4.05	20.80	4.69
	29	10.56	2.08	12.64	2.56	14.64	3.09	15.68	3.38	16.72	3.68	18.72	4.32	20.80	5.01
	31	10.56	2.20	12.64	2.71	14.64	3.29	15.68	3.59	16.72	3.91	18.72	4.60	20.80	5.34
	33	10.56	2.34	12.64	2.89	14.64	3.50	15.68	3.82	16.72	4.17	18.72	4.90	20.80	5.70
35	10.56	2.47	12.64	3.06	14.64	3.71	15.68	4.07	16.72	4.44	18.72	5.22	20.80	6.08	
37	10.56	2.61	12.64	3.24	14.64	3.95	15.68	4.32	16.72	4.72	18.72	5.56	20.80	6.47	
39	10.56	2.77	12.64	3.44	14.64	4.19	15.68	4.59	16.72	5.01	18.72	5.91	20.80	6.89	
41	10.56	2.89	12.64	3.56	14.64	4.31	15.68	4.74	16.72	5.17	18.72	6.16	20.80	7.20	
43	10.56	3.13	12.64	3.80	14.64	4.49	15.68	5.00	16.72	5.32	18.72	6.38	20.80	7.42	

	45	10.56	3.19	12.64	3.88	14.64	4.58	15.68	5.08	16.72	5.58	18.72	6.73	20.80	7.71
	48	10.56	3.28	12.64	3.92	14.64	4.63	15.68	5.16	16.72	5.74	18.72	7.03	20.80	7.89
60%	-5	9.04	1.27	10.80	1.47	12.56	1.71	13.44	1.82	14.32	1.97	16.08	2.21	17.84	2.54
	-2	9.04	1.27	10.80	1.49	12.56	1.74	13.44	1.85	14.32	1.99	16.08	2.25	17.84	2.55
	0	9.04	1.29	10.80	1.51	12.56	1.77	13.44	1.87	14.32	2.02	16.08	2.28	17.84	2.59
	2	9.04	1.32	10.80	1.55	12.56	1.80	13.44	1.91	14.32	2.05	16.08	2.33	17.84	2.62
	4	9.04	1.35	10.80	1.58	12.56	1.83	13.44	1.93	14.32	2.08	16.08	2.36	17.84	2.66
	6	9.04	1.37	10.80	1.61	12.56	1.87	13.44	1.98	14.32	2.12	16.08	2.41	17.84	2.72
	8	9.04	1.39	10.80	1.63	12.56	1.90	13.44	2.01	14.32	2.17	16.08	2.45	17.84	2.76
	10	9.04	1.42	10.80	1.67	12.56	1.93	13.44	2.07	14.32	2.21	16.08	2.50	17.84	2.80
	12	9.04	1.45	10.80	1.70	12.56	1.97	13.44	2.11	14.32	2.24	16.08	2.55	17.84	2.85
	14	9.04	1.47	10.80	1.72	12.56	2.00	13.44	2.14	14.32	2.29	16.08	2.59	17.84	2.90
	16	9.04	1.48	10.80	1.75	12.56	2.03	13.44	2.18	14.32	2.33	16.08	2.64	17.84	2.96
	18	9.04	1.51	10.80	1.78	12.56	2.07	13.44	2.22	14.32	2.37	16.08	2.68	17.84	3.01
	20	9.04	1.53	10.80	1.81	12.56	2.11	13.44	2.26	14.32	2.42	16.08	2.74	17.84	3.08
	21	9.04	1.55	10.80	1.82	12.56	2.13	13.44	2.28	14.32	2.44	16.08	2.77	17.84	3.11
	23	9.04	1.57	10.80	1.86	12.56	2.16	13.44	2.33	14.32	2.48	16.08	2.88	17.84	3.31
	25	9.04	1.59	10.80	1.89	12.56	2.24	13.44	2.44	14.32	2.64	16.08	3.07	17.84	3.53
	27	9.04	1.66	10.80	2.01	12.56	2.39	13.44	2.60	14.32	2.81	16.08	3.27	17.84	3.77
	29	9.04	1.75	10.80	2.13	12.56	2.55	13.44	2.77	14.32	3.00	16.08	3.49	17.84	4.02
	31	9.04	1.86	10.80	2.25	12.56	2.70	13.44	2.94	14.32	3.19	16.08	3.71	17.84	4.28
	33	9.04	1.96	10.80	2.39	12.56	2.87	13.44	3.12	14.32	3.39	16.08	3.95	17.84	4.56
	35	9.04	2.08	10.80	2.54	12.56	3.04	13.44	3.32	14.32	3.60	16.08	4.21	17.84	4.86
	37	9.04	2.20	10.80	2.68	12.56	3.23	13.44	3.52	14.32	3.82	16.08	4.47	17.84	5.17
	39	9.04	2.32	10.80	2.84	12.56	3.42	13.44	3.73	14.32	4.06	16.08	4.75	17.84	5.50
	41	9.04	2.39	10.80	2.96	12.56	3.54	13.44	3.88	14.32	4.21	16.08	4.97	17.84	5.75
43	9.04	2.47	10.80	3.09	12.56	3.67	13.44	3.99	14.32	4.36	16.08	5.18	17.84	6.00	
45	9.04	2.58	10.80	3.24	12.56	3.82	13.44	4.14	14.32	4.57	16.08	5.41	17.84	6.33	
48	9.04	2.68	10.80	3.39	12.56	3.95	13.44	4.25	14.32	4.75	16.08	5.61	17.84	6.63	
50%	-5	7.56	1.10	9.04	1.27	10.48	1.46	11.20	1.53	11.92	1.62	13.36	1.84	14.88	1.98
	-2	7.56	1.11	9.04	1.30	10.48	1.48	11.20	1.55	11.92	1.64	13.36	1.86	14.88	2.01
	0	7.56	1.13	9.04	1.32	10.48	1.50	11.20	1.57	11.92	1.66	13.36	1.89	14.88	2.04
	2	7.56	1.14	9.04	1.34	10.48	1.53	11.20	1.60	11.92	1.69	13.36	1.90	14.88	2.08
	4	7.56	1.15	9.04	1.36	10.48	1.55	11.20	1.62	11.92	1.73	13.36	1.95	14.88	2.13
	6	7.56	1.18	9.04	1.38	10.48	1.57	11.20	1.65	11.92	1.76	13.36	1.98	14.88	2.20
	8	7.56	1.20	9.04	1.40	10.48	1.60	11.20	1.69	11.92	1.78	13.36	2.01	14.88	2.27
	10	7.56	1.23	9.04	1.42	10.48	1.62	11.20	1.72	11.92	1.83	13.36	2.06	14.88	2.30
	12	7.56	1.24	9.04	1.44	10.48	1.65	11.20	1.75	11.92	1.87	13.36	2.10	14.88	2.34
	14	7.56	1.26	9.04	1.46	10.48	1.67	11.20	1.79	11.92	1.90	13.36	2.14	14.88	2.38
	16	7.56	1.27	9.04	1.48	10.48	1.70	11.20	1.81	11.92	1.92	13.36	2.17	14.88	2.42
	18	7.56	1.29	9.04	1.50	10.48	1.72	11.20	1.84	11.92	1.96	13.36	2.21	14.88	2.46
	20	7.56	1.31	9.04	1.52	10.48	1.75	11.20	1.87	11.92	2.00	13.36	2.25	14.88	2.51
	21	7.56	1.32	9.04	1.54	10.48	1.77	11.20	1.89	11.92	2.02	13.36	2.27	14.88	2.54
	23	7.56	1.34	9.04	1.56	10.48	1.80	11.20	1.92	11.92	2.05	13.36	2.31	14.88	2.59
	25	7.56	1.36	9.04	1.59	10.48	1.83	11.20	1.96	11.92	2.12	13.36	2.43	14.88	2.77
	27	7.56	1.38	9.04	1.65	10.48	1.93	11.20	2.09	11.92	2.25	13.36	2.58	14.88	2.95
	29	7.56	1.46	9.04	1.74	10.48	2.05	11.20	2.22	11.92	2.39	13.36	2.75	14.88	3.14
	31	7.56	1.54	9.04	1.84	10.48	2.17	11.20	2.36	11.92	2.54	13.36	2.92	14.88	3.34
	33	7.56	1.63	9.04	1.95	10.48	2.31	11.20	2.49	11.92	2.69	13.36	3.11	14.88	3.56
	35	7.56	1.72	9.04	2.06	10.48	2.44	11.20	2.64	11.92	2.85	13.36	3.30	14.88	3.78
	37	7.56	1.81	9.04	2.18	10.48	2.58	11.20	2.79	11.92	3.02	13.36	3.50	14.88	4.01
	39	7.56	1.92	9.04	2.30	10.48	2.73	11.20	2.96	11.92	3.21	13.36	3.71	14.88	4.26
	41	7.56	1.99	9.04	2.40	10.48	2.83	11.20	3.10	11.92	3.35	13.36	3.91	14.88	4.46
43	7.56	2.13	9.04	2.56	10.48	2.93	11.20	3.24	11.92	3.43	13.36	4.11	14.88	4.66	
45	7.56	2.17	9.04	2.63	10.48	3.13	11.20	3.49	11.92	3.58	13.36	4.50	14.88	5.05	
48	7.56	2.23	9.04	2.70	10.48	3.31	11.20	3.71	11.92	3.74	13.36	4.87	14.88	5.44	

Note:

- 1, [redacted] are tested under our standard condition.
- 2, In cooling mode, avoid the outdoor air temperature range from 42-46 degree C, when selecting the models.
- 3, The above table shows the average value of conditions may operate.
- 4, It is recommended to connect less than 130%.

Heating

Combination (%) (Capacity index)	Outdoor Air temperature (°C DB)		Indoor temperature(°C WB)											
			16		18		20		21		22		24	
			TC	PI	TC	PI	TC	PI	TC	PI	TC	PI	TC	PI
	°C DB	°C WB	kW	kW	kW	kW	kW	kW	kW	kW	kW	kW	kW	kW
130%	-19.8	-20	15.87	4.17	15.79	4.46	15.71	4.76	15.71	4.90	15.63	5.05	15.63	5.35
	-18.8	-19	16.10	4.26	16.02	4.55	16.02	4.84	15.94	4.99	15.94	5.13	15.87	5.42
	-16.7	-17	16.72	4.46	16.64	4.74	16.56	5.02	16.56	5.16	16.56	5.29	16.49	5.57
	-13.7	-15	17.42	4.67	17.35	4.93	17.27	5.20	17.27	5.33	17.19	5.47	17.19	5.74
	-11.8	-13	18.12	4.87	18.12	5.13	18.04	5.39	17.97	5.52	17.97	5.65	17.89	5.90
	-9.8	-11	18.98	5.09	18.90	5.33	18.82	5.58	18.82	5.70	18.82	5.82	18.74	6.07
	-9.5	-10	19.44	5.19	19.37	5.43	19.29	5.67	19.29	5.79	19.21	5.91	19.21	6.14
	-8.5	-9.1	19.83	5.29	19.76	5.52	19.76	5.75	19.68	5.87	19.68	5.98	19.60	6.22
	-7	-7.6	20.53	5.44	20.53	5.67	20.46	5.89	20.46	6.01	20.38	6.11	20.30	6.34
	-5	-5.6	21.62	5.65	21.54	5.86	21.46	6.08	21.46	6.18	21.39	6.28	21.39	6.50
	-3	-3.7	22.63	5.83	22.56	6.04	22.56	6.24	22.48	6.34	22.48	6.44	22.40	6.64
	0	-0.7	24.42	6.11	24.42	6.31	24.34	6.49	24.34	6.56	24.27	6.68	24.27	6.87
	3	2.2	26.36	6.37	26.29	6.54	26.21	6.72	26.21	6.80	26.21	6.90	26.13	7.06
	5	4.1	27.69	6.53	27.61	6.70	27.61	6.86	27.53	6.94	27.53	7.03	27.46	7.19
	7	6	29.09	6.68	29.01	6.83	29.01	7.00	28.93	7.07	28.93	7.15	27.77	6.87
	9	7.9	30.57	6.82	30.49	6.97	30.49	7.12	30.41	7.20	29.79	7.04	27.77	6.45
11	9.8	32.12	6.96	32.04	7.09	31.89	7.19	30.80	6.90	29.79	6.62	27.77	6.08	
13	11.8	33.83	7.09	33.75	7.23	31.89	6.74	30.80	6.47	29.79	6.21	27.77	5.70	
15	13.7	35.47	7.21	33.91	6.84	31.89	6.34	30.80	6.10	29.79	5.85	27.77	5.38	
120%	-19.8	-20	15.79	4.57	15.71	4.83	15.63	5.11	15.63	5.24	15.63	5.38	15.56	5.65
	-18.8	-19	16.02	4.65	15.95	4.92	15.95	5.19	15.87	5.32	15.87	5.46	15.79	5.72
	-16.7	-17	16.65	4.83	16.57	5.10	16.46	5.35	16.49	5.48	16.49	5.61	16.41	5.86
	-13.7	-15	17.35	5.03	17.27	5.27	17.19	5.52	17.19	5.65	17.19	5.77	17.11	6.02
	-11.8	-13	18.05	5.22	18.05	5.46	17.97	5.69	17.97	5.82	17.89	5.93	17.89	6.17
	-9.8	-11	18.90	5.42	18.82	5.64	18.82	5.87	18.74	5.98	18.74	6.09	18.67	6.32
	-9.5	-10	19.37	5.52	19.29	5.74	19.21	5.95	19.21	6.07	19.21	6.18	19.13	6.40
	-8.5	-9.1	19.76	5.60	19.68	5.82	19.68	6.03	19.60	6.14	19.60	6.25	19.52	6.47
	-7	-7.6	20.46	5.75	20.46	5.95	20.38	6.16	20.38	6.27	20.30	6.37	20.30	6.57
	-5	-5.6	21.54	5.93	21.47	6.13	21.39	6.33	21.39	6.43	21.39	6.53	21.31	6.72
	-3	-3.7	22.56	6.11	22.56	6.30	22.48	6.48	22.48	6.57	22.40	6.67	22.40	6.86
	0	-0.7	24.35	6.37	24.35	6.54	24.27	6.71	24.27	6.80	24.19	6.89	24.19	7.06
	3	2.2	26.29	6.61	26.21	6.77	26.21	6.93	26.13	7.01	26.13	7.09	25.59	7.05
	5	4.1	27.61	6.75	27.53	6.90	27.53	7.06	27.46	7.13	27.46	7.21	25.59	6.62
	7	6	29.01	6.89	29.01	7.03	28.93	7.18	28.47	7.08	27.53	6.79	25.59	6.23
	9	7.9	30.49	7.03	30.41	7.16	29.40	6.93	28.47	6.65	27.53	6.38	25.59	5.86
11	9.8	32.04	7.15	31.27	7.03	29.40	6.51	28.47	6.26	27.53	6.01	25.59	5.52	
13	11.8	33.21	7.08	31.27	6.59	29.40	6.11	28.47	5.88	27.53	5.65	25.59	5.20	
15	13.7	33.21	6.67	31.27	6.21	29.40	5.76	28.47	5.54	27.53	5.33	25.59	4.90	
110%	-19.8	-20	15.71	4.97	15.63	5.21	15.56	5.46	15.56	5.59	15.56	5.71	15.48	5.96
	-18.8	-19	15.95	5.04	15.87	5.29	15.87	5.53	15.87	5.66	15.79	5.78	15.79	6.02
	-16.7	-17	16.57	5.21	16.49	5.45	16.72	5.69	16.41	5.80	16.41	5.92	16.33	6.15
	-13.7	-15	17.27	5.39	17.19	5.62	17.11	5.84	17.11	5.95	17.11	6.07	17.03	6.29
	-11.8	-13	17.97	5.57	17.97	5.78	17.89	6.00	17.89	6.11	17.81	6.21	17.81	6.44
	-9.8	-11	18.82	5.75	18.74	5.95	18.74	6.16	18.67	6.27	18.67	6.37	18.67	6.57
	-9.5	-10	19.29	5.84	19.21	6.04	19.13	6.25	19.13	6.34	19.13	6.44	19.06	6.64
	-8.5	-9.1	19.68	5.92	19.60	6.11	19.60	6.31	19.52	6.41	19.52	6.51	19.52	5.94
	-7	-7.6	20.38	6.05	20.38	6.24	20.30	6.43	20.30	6.53	20.30	6.62	20.22	6.81
	-5	-5.6	21.47	6.22	21.39	6.41	21.31	6.58	21.31	6.67	21.31	6.77	21.23	6.95
	-3	-3.7	22.48	6.38	22.48	6.55	22.40	6.73	22.40	6.81	22.32	6.90	22.32	7.07
	0	-0.7	24.27	6.62	24.27	6.78	24.19	6.94	24.19	7.02	24.19	7.10	23.49	6.96
	3	2.2	26.21	6.84	26.13	6.99	26.13	7.13	26.06	7.20	25.20	6.91	23.49	6.34
	5	4.1	27.53	6.97	27.53	7.12	26.99	7.05	26.06	6.77	25.20	6.50	23.49	5.96
	7	6	28.93	7.10	28.70	7.15	26.99	6.62	26.06	6.36	25.20	6.11	23.49	5.61
	9	7.9	30.41	7.22	28.70	6.72	26.99	6.23	26.06	5.98	25.20	5.75	23.49	5.29
11	9.8	30.41	6.79	28.70	6.32	26.99	5.86	26.06	5.64	25.20	5.42	23.49	4.99	
13	11.8	30.41	6.37	28.70	5.93	26.99	5.51	26.06	5.30	25.20	5.10	23.49	4.70	
15	13.7	30.41	5.66	28.70	5.59	26.99	5.20	26.06	5.00	25.20	4.82	23.49	4.44	
100%	-19.8	-20	15.63	5.36	15.56	5.59	15.56	5.82	15.48	5.93	15.48	6.04	15.40	6.27
	-18.8	-19	15.87	5.43	15.87	5.65	15.79	5.88	15.79	5.99	15.71	6.11	15.71	6.33
	-16.7	-17	16.49	5.59	16.41	5.80	16.41	6.02	16.33	6.12	16.33	6.23	16.33	6.44

	-13.7	-15	17.19	5.75	17.11	5.95	17.03	6.16	17.03	6.27	17.03	6.37	16.96	6.57
	-11.8	-13	17.89	5.92	17.89	6.11	17.81	6.31	17.81	6.41	17.81	6.51	17.73	6.70
	-9.8	-11	18.74	6.08	18.67	6.27	18.67	6.45	18.67	6.55	18.59	6.64	18.59	6.83
	-9.5	-10	19.21	6.16	19.13	6.34	19.13	6.53	19.06	6.62	19.06	6.71	18.98	6.90
	-8.5	-9.1	19.60	6.23	19.52	6.41	19.52	6.59	19.52	6.68	19.45	6.77	19.45	6.95
	-7	-7.6	20.30	6.35	20.30	6.53	20.22	6.70	20.22	6.79	20.22	6.87	20.14	7.05
	-5	-5.6	21.39	6.51	21.31	6.67	21.31	6.84	21.23	6.92	21.23	7.00	21.16	7.17
	-3	-3.7	22.40	6.66	22.40	6.05	22.32	6.97	22.32	7.05	22.32	7.13	21.39	6.83
	0	-0.7	24.19	6.87	24.19	7.02	24.11	7.16	23.72	7.05	22.94	6.76	21.39	6.20
	3	2.2	26.13	7.07	26.06	7.20	24.50	6.67	23.72	6.41	22.94	6.15	21.39	5.65
	5	4.1	27.45	7.20	26.06	6.77	24.50	6.27	23.72	6.03	22.94	5.79	21.39	5.33
	7	6	27.61	6.83	26.06	6.36	24.50	5.90	23.72	5.68	22.94	5.46	21.39	5.02
	9	7.9	27.61	6.42	26.06	5.98	24.50	5.56	23.72	5.28	22.94	5.14	21.39	4.74
	11	9.8	27.61	6.05	26.06	5.64	24.50	5.24	23.72	5.04	22.94	4.85	21.39	4.47
	13	11.8	27.61	5.68	26.06	5.30	24.50	4.93	23.72	4.75	22.94	4.57	21.39	4.22
	15	13.7	27.61	5.36	26.06	5.00	24.50	4.66	23.72	4.49	22.94	4.32	21.39	4.00
90%	-19.8	-20	15.53	5.76	15.45	5.96	15.45	6.17	15.37	6.27	15.37	6.37	15.37	6.57
	-18.8	-19	15.76	5.82	15.76	6.03	15.68	6.23	15.68	6.33	15.68	6.43	15.60	6.63
	-16.7	-17	16.38	5.97	16.30	6.16	16.30	6.35	16.30	6.45	16.23	6.54	16.23	6.73
	-13.7	-15	17.08	6.11	17.00	6.30	17.00	6.48	16.93	6.57	16.93	6.67	16.93	6.85
	-11.8	-13	17.78	6.26	17.78	6.44	17.70	6.61	17.70	6.70	17.70	6.79	17.62	6.97
	-9.8	-11	18.63	6.41	18.63	6.57	18.56	6.74	18.56	6.83	18.56	6.92	18.48	7.09
	-9.5	-10	19.10	6.48	19.02	6.65	19.02	6.81	18.95	6.90	18.95	6.98	18.95	7.14
	-8.5	-9.1	19.49	6.55	19.49	6.71	19.41	6.87	19.41	6.95	19.41	7.03	19.18	7.10
	-7	-7.6	20.19	6.66	20.19	6.81	20.11	6.97	20.11	7.05	20.11	7.13	19.18	6.78
	-5	-5.6	21.27	6.80	21.20	6.95	21.20	7.10	21.12	7.17	20.57	6.95	19.18	6.37
	-3	-3.7	22.28	6.93	22.28	7.07	22.05	7.10	21.27	6.82	20.57	6.54	19.18	6.01
	0	-0.7	24.15	7.13	23.45	6.96	22.05	6.44	21.27	6.19	20.57	5.95	19.18	5.46
	3	2.2	24.85	6.80	23.45	6.33	22.05	5.87	21.27	5.65	20.57	5.42	19.18	5.00
	5	4.1	24.85	6.39	23.45	5.95	22.05	5.53	21.27	5.32	20.57	5.12	19.18	4.71
	7	6	24.85	6.01	23.45	5.61	22.05	5.21	21.27	5.02	20.57	4.83	19.18	4.45
9	7.9	24.85	5.66	23.45	5.28	22.05	4.91	21.27	4.74	20.57	4.56	19.18	4.21	
11	9.8	24.85	5.33	23.45	4.98	22.05	4.64	21.27	4.47	20.57	4.31	19.18	3.98	
13	11.8	24.85	5.02	23.45	4.70	22.05	4.38	21.27	4.22	20.57	4.07	19.18	3.76	
15	13.7	24.85	4.74	23.45	4.44	22.05	4.15	21.27	4.00	20.57	3.85	19.18	3.57	
80%	-19.8	-20	15.48	6.16	15.40	6.34	15.40	6.52	15.40	6.61	15.32	6.70	15.32	6.88
	-18.8	-19	15.71	6.21	15.71	6.40	15.63	6.57	15.63	6.67	15.63	6.75	15.56	6.93
	-16.7	-17	16.33	6.34	16.26	6.51	16.26	6.69	16.26	6.77	16.26	6.86	16.18	7.03
	-13.7	-15	17.03	6.47	16.96	6.64	16.96	6.80	16.96	6.88	16.88	6.96	16.88	7.13
	-11.8	-13	17.73	6.60	17.73	6.77	17.66	6.92	17.66	7.00	17.66	7.08	17.11	6.89
	-9.8	-11	18.59	6.73	18.59	6.89	18.51	7.04	18.51	7.11	18.36	7.09	17.11	6.51
	-9.5	-10	19.06	6.80	18.97	6.95	18.98	7.09	18.98	7.17	18.36	6.89	17.11	6.31
	-8.5	-9.1	19.45	6.87	18.07	7.01	19.37	7.15	18.98	6.99	18.36	6.70	17.11	6.15
	-7	-7.6	20.14	6.96	20.14	7.10	19.60	6.95	18.98	6.67	18.36	6.41	17.11	5.88
	-5	-5.6	21.23	7.09	20.84	7.05	19.60	6.53	18.98	6.28	18.36	6.02	17.11	5.53
	-3	-3.7	22.09	7.13	20.84	6.64	19.60	6.15	18.98	5.92	18.36	5.68	17.11	5.23
	0	-0.7	22.09	6.47	20.84	6.02	19.60	5.59	18.98	5.39	18.36	5.17	17.11	4.77
	3	2.2	22.09	5.89	20.84	5.49	19.60	5.11	18.98	4.92	18.36	4.74	17.11	4.37
	5	4.1	22.09	5.55	20.84	5.18	19.60	4.82	18.98	4.64	18.36	4.47	17.11	4.13
	7	6	22.09	5.23	20.84	4.89	19.60	4.55	18.98	4.39	18.36	4.23	17.11	3.91
9	7.9	22.09	4.93	20.84	4.61	19.60	4.30	18.98	4.15	18.36	4.00	17.11	3.70	
11	9.8	22.09	4.66	20.84	4.36	19.60	4.07	18.98	3.92	18.36	3.78	17.11	3.51	
13	11.8	22.09	4.39	20.84	4.11	19.60	3.85	18.98	3.71	18.36	3.58	17.11	3.32	
15	13.7	22.09	4.15	20.84	3.90	19.60	3.65	18.98	3.52	18.36	3.39	17.11	3.16	
70%	-19.8	-20	15.36	6.56	15.29	6.71	15.29	6.87	15.29	6.95	15.29	7.03	14.90	6.96
	-18.8	-19	15.60	6.61	15.60	6.77	15.52	6.92	15.52	7.00	15.52	7.08	14.90	6.81
	-16.7	-17	16.22	6.72	16.22	6.87	16.14	7.02	16.14	7.09	15.99	6.32	14.90	6.50
	-13.7	-15	16.92	6.83	16.84	6.98	16.84	7.13	16.53	7.02	15.99	6.73	14.90	6.18
	-11.8	-13	17.61	6.95	17.61	7.09	17.15	6.92	16.53	6.65	15.99	6.38	14.90	5.85
	-9.8	-11	18.47	7.06	18.24	7.06	17.15	6.54	16.53	6.28	15.99	6.03	14.90	5.54
	-9.5	-10	18.94	7.13	18.24	6.85	17.15	6.34	16.53	6.10	15.99	5.86	14.90	5.39

70%	-8.5	-9.1	19.32	7.16	18.24	6.67	17.15	6.18	16.53	5.94	15.99	5.71	14.90	5.25
	-7	-7.6	19.32	6.84	18.24	6.37	17.15	5.91	16.53	5.69	15.99	5.46	14.90	5.03
	-5	-5.6	19.32	6.43	18.24	5.99	17.15	5.56	16.53	5.35	15.99	6.32	14.90	4.74
	-3	-3.7	19.32	6.05	18.24	5.65	17.15	5.25	16.53	5.05	15.99	4.86	14.90	4.48
	0	-0.7	19.32	5.51	18.24	5.15	17.15	4.79	16.53	4.61	15.99	4.44	14.90	4.11
	3	2.2	19.32	5.03	18.24	4.71	17.15	4.39	16.53	4.23	15.99	4.08	14.90	3.77
	5	4.1	19.32	4.75	18.24	4.44	17.15	4.15	16.53	4.00	15.99	3.85	14.90	3.57
	7	6	19.32	4.49	18.24	4.21	17.15	3.92	16.53	3.78	15.99	3.65	14.90	3.39
	9	7.9	19.32	4.24	18.24	3.98	17.15	3.72	16.53	3.59	15.99	3.46	14.90	3.21
	11	9.8	19.32	4.01	18.24	3.76	17.15	3.52	16.53	3.40	15.99	3.29	14.90	3.05
	13	11.8	19.32	3.79	18.24	3.56	17.15	3.33	16.53	3.23	15.99	3.11	14.90	2.90
	15	13.7	19.32	3.59	18.24	3.38	17.15	3.16	16.53	3.06	15.99	2.96	14.90	2.76
60%	-19.8	-20	15.32	6.96	15.24	7.09	14.70	6.82	14.23	6.55	13.77	6.29	12.83	5.77
	-18.8	-19	15.56	7.00	15.56	7.13	14.70	6.67	14.23	6.41	13.77	6.15	12.83	5.65
	-16.7	-17	16.18	7.09	15.63	6.87	14.70	6.37	14.23	6.12	13.77	5.88	12.83	5.40
	-13.7	-15	16.57	7.02	15.63	6.53	14.70	6.05	14.23	5.82	13.77	5.59	12.83	5.14
	-11.8	-13	16.57	6.64	15.63	6.18	14.70	5.74	14.23	5.52	13.77	5.31	12.83	4.91
	-9.8	-11	16.57	6.28	15.63	5.85	14.70	5.43	14.23	5.23	13.77	5.03	12.83	4.64
	-9.5	-10	16.57	6.10	15.63	5.69	14.70	5.28	14.23	5.09	13.77	4.89	12.83	4.51
	-8.5	-9.1	16.57	5.94	15.63	5.54	14.70	5.15	14.23	4.96	13.77	4.77	12.83	4.40
	-7	-7.6	16.57	5.68	15.63	5.30	14.70	4.93	14.23	4.75	13.77	4.57	12.83	4.22
	-5	-5.6	16.57	5.35	15.63	5.00	14.70	4.65	14.23	4.48	13.77	4.31	12.83	3.99
	-3	-3.7	16.57	5.05	15.63	4.72	14.70	4.40	14.23	4.24	13.77	4.08	12.83	3.78
	0	-0.7	16.57	4.61	15.63	4.32	14.70	4.03	14.23	3.89	13.77	3.75	12.83	3.47
	3	2.2	16.57	4.23	15.63	3.97	14.70	3.71	14.23	3.58	13.77	3.46	12.83	3.20
	5	4.1	16.57	4.00	15.63	3.75	14.70	3.51	14.23	3.39	13.77	3.27	12.83	3.04
	7	6	16.57	3.78	15.63	3.56	14.70	3.33	14.23	3.22	13.77	3.11	12.83	2.89
	9	7.9	16.57	3.59	15.63	3.37	14.70	3.16	14.23	3.06	13.77	2.95	12.83	2.75
11	9.8	16.57	3.40	15.63	3.20	14.70	3.00	14.23	2.90	13.77	2.80	12.83	2.62	
13	11.8	16.57	3.22	15.63	3.03	14.70	2.85	14.23	2.76	13.77	2.67	12.83	2.49	
15	13.7	16.57	3.06	15.63	2.88	14.70	2.71	14.23	2.63	13.77	2.54	12.83	2.38	
50%	-19.8	-20	13.80	6.33	13.03	5.89	12.25	5.47	11.78	5.27	11.40	5.06	10.62	4.67
	-18.8	-19	13.80	6.19	13.03	5.77	12.25	5.36	11.78	5.16	11.40	4.96	10.62	4.57
	-16.7	-17	13.80	5.91	13.03	5.51	12.25	5.13	11.78	4.93	11.40	4.75	10.62	4.38
	-13.7	-15	13.80	5.62	13.03	5.25	12.25	4.88	11.78	4.70	11.40	4.53	10.62	4.18
	-11.8	-13	13.80	5.34	13.03	4.99	12.25	4.64	11.78	4.47	11.40	4.31	10.62	3.98
	-9.8	-11	13.80	5.06	13.03	4.73	12.25	4.41	11.78	4.24	11.40	4.09	10.62	3.78
	-9.5	-10	13.80	4.92	13.03	4.60	12.25	4.29	11.78	4.14	11.40	3.98	10.62	3.69
	-8.5	-9.1	13.80	4.80	13.03	4.49	12.25	4.18	11.78	4.04	11.40	3.89	10.62	3.60
	-7	-7.6	13.80	4.60	13.03	4.31	12.25	4.01	11.78	3.88	11.40	3.74	10.62	3.46
	-5	-5.6	13.80	4.34	13.03	4.07	12.25	3.80	11.78	3.67	11.40	3.54	10.62	3.28
	-3	-3.7	13.80	4.11	13.03	3.85	12.25	3.60	11.78	3.48	11.40	3.36	10.62	3.12
	0	-0.7	13.80	3.77	13.03	3.54	12.25	3.32	11.78	3.20	11.40	3.10	10.62	2.88
	3	2.2	13.80	3.47	13.03	3.26	12.25	3.06	11.78	2.96	11.40	2.86	10.62	2.67
	5	4.1	13.80	3.29	13.03	3.10	12.25	2.90	11.78	2.81	11.40	2.72	10.62	2.54
	7	6	13.80	3.13	13.03	2.94	12.25	2.77	11.78	2.67	11.40	2.59	10.62	2.42
	9	7.9	13.80	2.97	13.03	2.80	12.25	2.63	11.78	2.55	11.40	2.47	10.62	2.31
11	9.8	13.80	2.82	13.03	2.66	12.25	2.51	11.78	2.43	11.40	2.35	10.62	2.20	
13	11.8	13.80	2.68	13.03	2.53	12.25	2.38	11.78	2.31	11.40	2.24	10.62	2.10	
15	13.7	13.80	2.55	13.03	2.41	12.25	2.28	11.78	2.21	11.40	2.14	10.62	2.01	

Note:

- 1, [redacted] are tested under our standard condition.
- 2, In heating mode, avoid the outdoor air temperature range from -15 to -20 degree C, when selecting the models.
- 3, The above table shows the average value of conditions may operate.
- 4, It is recommended to connect less than 130%.

MDV-V260W/DRN1

Cooling

Combination (%) (Capacity index)	Outdoor temperature (°C DB)	Indoor temperature(° C DB/WD)													
		DB:20.8,WB		DB:23.3,WB		DB:25.8,WB		DB:27,WB:1		DB:28.2,WB:2		DB:30.7,WB:		DB:32,WB:2	
		TC	PI	TC	PI	TC	PI	TC	PI	TC	PI	TC	PI	TC	PI
130%	-5	22.84	3.11	27.21	3.79	31.57	4.06	32.78	4.23	34.35	4.35	35.19	4.73	36.08	4.76
	-2	22.84	3.11	27.21	3.87	31.57	4.06	32.78	4.25	34.35	4.35	35.19	4.79	36.08	4.81
	0	22.84	3.16	27.21	3.93	31.57	4.21	32.78	4.49	34.35	4.60	35.19	4.85	36.08	4.87
	2	22.84	3.22	27.21	3.94	31.57	4.36	32.78	4.74	34.35	4.66	35.19	4.88	36.08	4.94
	4	22.84	3.29	27.21	4.02	31.57	4.51	32.78	4.76	34.35	4.72	35.19	4.88	36.08	5.04
	6	22.84	3.35	27.21	4.10	31.57	4.68	32.78	4.80	33.97	4.86	34.76	4.88	35.68	5.08
	8	22.84	3.43	27.21	4.19	31.57	4.91	32.78	5.04	33.55	5.02	34.38	3.90	35.22	5.12
	10	22.84	3.50	27.21	4.28	31.57	5.09	32.78	5.20	33.15	4.04	33.98	4.06	34.82	5.27
	12	22.84	3.56	27.21	4.36	31.57	5.19	32.31	4.03	32.78	4.06	33.52	4.07	34.36	5.31
	14	22.84	3.64	27.21	4.45	31.48	4.05	31.94	4.06	32.31	4.08	33.15	4.09	33.98	5.43
	16	22.84	3.70	27.21	4.54	31.11	4.06	31.48	4.08	31.85	4.10	32.68	4.12	33.52	5.51
	18	22.84	3.77	27.21	4.63	30.64	5.43	31.01	5.46	31.48	5.49	32.31	5.54	33.15	5.59
	20	22.84	3.85	27.21	4.93	30.18	5.70	30.64	5.73	31.01	5.76	31.85	5.81	32.68	5.87
	21	22.84	3.95	27.21	5.10	29.99	5.83	30.46	5.86	30.83	5.89	31.66	5.95	32.50	6.00
	23	22.84	4.24	27.21	5.47	29.62	6.09	29.99	6.13	30.36	6.16	31.20	6.22	32.03	6.28
	25	22.84	4.53	27.21	5.86	29.16	6.36	29.53	6.39	29.99	6.43	30.83	6.49	31.66	6.56
	27	22.84	4.83	27.21	6.27	28.78	6.63	29.16	6.67	29.53	6.70	30.36	6.77	31.20	6.84
	29	22.84	5.16	27.21	6.70	28.32	6.89	28.69	6.93	29.16	6.98	29.99	7.05	30.83	7.12
	31	22.84	5.51	27.11	7.09	27.86	7.17	28.32	7.21	28.69	7.24	29.53	7.32	30.36	7.41
	33	22.84	5.87	26.65	7.35	27.48	7.44	27.86	7.48	28.32	7.52	29.16	7.60	29.90	7.68
35	22.84	6.26	26.18	7.62	27.02	7.71	27.48	7.75	27.86	7.80	28.69	7.89	29.53	7.97	
37	22.84	6.66	25.81	7.90	26.65	7.99	27.02	8.03	27.48	8.08	28.23	8.17	29.06	8.27	
39	22.84	7.09	25.35	7.98	26.18	8.26	26.65	8.31	27.02	8.36	27.86	8.45	28.69	8.55	
41	22.84	7.46	25.09	8.06	25.91	8.33	26.37	8.38	26.75	8.44	27.58	8.47	27.59	8.63	
43	22.84	7.65	24.90	8.10	25.77	8.36	26.24	8.42	26.47	8.45	27.08	8.48	27.26	8.65	
45	22.84	8.03	24.75	8.17	25.50	8.43	25.96	8.48	26.09	8.49	26.34	8.51	26.73	8.81	
48	22.84	8.32	25.63	8.44	27.80	8.51	28.31	8.55	28.54	8.58	28.42	8.66	28.93	8.68	
120%	-5	21.08	3.00	25.07	3.63	29.16	4.30	31.20	4.69	32.69	4.89	33.43	5.04	34.17	5.18
	-2	21.08	3.03	25.07	3.67	29.16	4.34	31.20	4.71	32.69	4.94	33.43	5.08	34.17	5.19
	0	21.08	3.06	25.07	3.70	29.16	4.39	31.20	4.73	32.69	4.99	33.43	5.11	34.17	5.20
	2	21.08	3.07	25.07	3.74	29.16	4.42	31.20	4.77	32.69	5.01	33.43	5.15	34.17	5.21
	4	21.08	3.10	25.07	3.78	29.16	4.48	31.20	4.81	32.69	5.07	33.43	5.16	34.17	5.23
	6	21.08	3.13	25.07	3.81	29.16	4.54	31.20	4.87	32.69	5.13	33.43	5.21	34.17	5.25
	8	21.08	3.16	25.07	3.85	29.16	4.60	31.20	4.93	32.69	5.18	33.43	5.22	34.17	5.27
	10	21.08	3.20	25.07	3.90	29.16	4.64	31.20	5.02	32.69	5.18	33.43	5.24	34.17	5.29
	12	21.08	3.26	25.07	3.97	29.16	4.73	31.20	5.11	32.22	5.21	32.96	5.21	33.71	5.33
	14	21.08	3.32	25.07	4.06	29.16	4.82	31.20	5.21	31.76	5.24	32.59	5.29	33.33	5.39
	16	21.08	3.38	25.07	4.14	29.16	4.92	31.01	4.10	31.38	5.31	32.13	5.38	32.87	5.47
	18	21.08	3.44	25.07	4.22	29.16	5.08	30.55	5.43	30.92	5.45	31.66	5.50	32.50	5.55
	20	21.08	3.51	25.07	4.38	29.16	5.47	30.18	5.70	30.55	5.72	31.29	5.77	32.04	5.82
	21	21.08	3.54	25.07	4.54	29.16	5.66	29.90	5.83	30.27	5.85	31.11	5.90	31.85	5.96
	23	21.08	3.79	25.07	4.86	29.16	6.06	29.53	6.08	29.90	6.12	30.64	6.18	31.38	6.23
	25	21.08	4.05	25.07	5.20	28.69	6.33	29.06	6.35	29.44	6.38	30.27	6.44	31.01	6.50
	27	21.08	4.32	25.07	5.56	28.32	6.59	28.69	6.63	29.06	6.66	29.81	6.72	30.55	6.78
	29	21.08	4.61	25.07	5.94	27.86	6.85	28.23	6.89	28.60	6.92	29.34	7.00	30.18	7.06
	31	21.08	4.92	25.07	6.34	27.39	7.13	27.86	7.16	28.23	7.20	28.97	7.27	29.71	7.34
	33	21.08	5.23	25.07	6.76	27.02	7.40	27.39	7.44	27.76	7.47	28.51	7.55	29.25	7.62
35	21.08	5.57	25.07	7.21	26.56	7.66	26.93	7.70	27.39	7.74	28.13	7.83	28.88	7.91	
37	21.08	5.93	25.07	7.68	26.18	7.94	26.56	7.98	26.93	8.02	27.67	8.10	28.41	8.19	
39	21.08	6.31	24.98	8.11	25.72	8.20	26.09	8.26	26.47	8.30	27.30	8.39	28.04	8.47	
41	21.08	6.48	24.78	8.17	25.52	8.26	25.89	8.31	26.26	8.35	27.10	8.41	27.24	8.53	
43	21.08	6.58	24.64	8.23	25.32	8.31	25.69	8.34	26.06	8.38	26.63	8.44	26.81	8.71	
45	21.08	6.66	24.51	8.30	25.08	8.39	25.42	8.42	25.83	8.45	26.09	8.46	26.54	8.89	
48	24.42	6.71	28.16	8.40	28.68	8.47	28.98	8.49	29.60	8.52	29.76	8.49	30.35	9.01	
110%	-5	19.31	2.62	23.03	3.26	26.74	3.89	28.60	4.18	30.46	4.50	32.78	4.67	33.52	4.81
	-2	19.31	2.67	23.03	3.30	26.74	3.93	28.60	4.22	30.46	4.53	32.78	4.71	33.52	4.84
	0	19.31	2.70	23.03	3.32	26.74	3.96	28.60	4.25	30.46	4.58	32.78	4.76	33.52	4.90
	2	19.31	2.76	23.03	3.35	26.74	4.02	28.60	4.29	30.46	4.63	32.78	4.83	33.52	4.96

	4	19.31	2.81	23.03	3.39	26.74	4.06	28.60	4.35	30.46	4.70	32.78	4.90	33.52	5.00
	6	19.31	2.84	23.03	3.43	26.74	4.09	28.60	4.42	30.46	4.75	32.78	4.95	33.52	5.08
	8	19.31	2.86	23.03	3.49	26.74	4.14	28.60	4.46	30.46	4.81	32.78	4.98	33.52	5.13
	10	19.31	2.90	23.03	3.53	26.74	4.20	28.60	4.54	30.46	4.89	32.78	5.02	33.52	5.18
	12	19.31	2.96	23.03	3.61	26.74	4.28	28.60	4.63	30.46	4.98	32.41	5.09	33.06	5.25
	14	19.31	3.01	23.03	3.67	26.74	4.36	28.60	4.71	30.46	5.07	31.94	5.13	32.69	5.28
	16	19.31	3.06	23.03	3.74	26.74	4.45	28.60	4.80	30.46	5.17	31.57	5.19	32.22	5.34
	18	19.31	3.12	23.03	3.81	26.74	4.54	28.60	4.94	30.46	5.42	31.11	5.46	31.85	5.51
	20	19.31	3.19	23.03	3.89	26.74	4.80	28.60	5.31	29.99	5.69	30.74	5.73	31.39	5.78
	21	19.31	3.22	23.03	4.00	26.74	4.98	28.60	5.50	29.81	5.82	30.46	5.86	31.20	5.91
	23	19.31	3.37	23.03	4.29	26.74	5.34	28.60	5.90	29.34	6.07	30.09	6.13	30.74	6.19
	25	19.31	3.60	23.03	4.59	26.74	5.71	28.60	6.32	28.97	6.34	29.62	6.40	30.36	6.45
	27	19.31	3.83	23.03	4.91	26.74	6.11	28.14	6.59	28.51	6.61	29.25	6.67	29.90	6.73
	29	19.31	4.09	23.03	5.23	26.74	6.52	27.76	6.85	28.14	6.88	28.79	6.94	29.53	7.01
	31	19.31	4.35	23.03	5.58	26.74	6.97	27.30	7.12	27.67	7.15	28.42	7.21	29.06	7.28
	33	19.31	4.63	23.03	5.95	26.56	7.34	26.93	7.39	27.30	7.42	27.95	7.49	28.69	7.56
	35	19.31	4.93	23.03	6.34	26.09	7.61	26.47	7.65	26.84	7.69	27.49	7.76	28.23	7.84
	37	19.31	5.24	23.03	6.75	25.72	7.89	26.09	7.92	26.37	7.96	27.12	8.04	27.76	8.11
	39	19.31	5.57	23.03	7.19	25.26	8.15	25.63	8.19	26.00	8.24	26.65	8.32	27.39	8.40
	41	19.31	5.63	23.03	7.25	25.06	8.21	25.43	8.25	25.80	8.29	26.31	8.37	26.57	8.46
	43	19.31	5.69	23.03	7.34	24.86	8.27	25.23	8.31	25.61	8.35	26.08	8.41	26.16	8.63
	45	19.31	5.87	23.03	7.38	24.61	8.34	24.97	8.41	25.38	8.43	25.81	8.63	25.92	8.83
	48	21.15	6.08	25.22	8.01	26.56	8.40	26.91	8.47	27.48	8.52	27.80	8.67	28.02	8.92
100%	-5	17.55	2.39	20.89	2.87	24.33	3.42	26.00	3.66	27.67	3.97	31.11	4.53	32.87	4.73
	-2	17.55	2.42	20.89	2.91	24.33	3.46	26.00	3.73	27.67	4.03	31.11	4.58	32.87	4.76
	0	17.55	2.44	20.89	2.94	24.33	3.50	26.00	3.78	27.67	4.07	31.11	4.66	32.87	4.81
	2	17.55	2.49	20.89	2.98	24.33	3.53	26.00	3.83	27.67	4.11	31.11	4.73	32.87	4.89
	4	17.55	2.51	20.89	3.01	24.33	3.59	26.00	3.88	27.67	4.16	31.11	4.77	32.87	4.94
	6	17.55	2.54	20.89	3.07	24.33	3.63	26.00	3.95	27.67	4.23	31.11	4.84	32.87	5.02
	8	17.55	2.59	20.89	3.12	24.33	3.70	26.00	4.00	27.67	4.29	31.11	4.92	32.87	5.10
	10	17.55	2.62	20.89	3.18	24.33	3.76	26.00	4.07	27.67	4.37	31.11	5.00	32.87	5.17
	12	17.55	2.66	20.89	3.24	24.33	3.83	26.00	4.14	27.67	4.46	31.11	5.09	32.41	5.21
	14	17.55	2.71	20.89	3.30	24.33	3.90	26.00	4.22	27.67	4.54	31.11	5.19	32.03	5.28
	16	17.55	2.77	20.89	3.36	24.33	3.98	26.00	4.30	27.67	4.63	30.92	5.25	31.57	5.34
	18	17.55	2.82	20.89	3.42	24.33	4.06	26.00	4.38	27.67	4.72	30.55	5.43	31.20	5.47
	20	17.55	2.87	20.89	3.49	24.33	4.18	26.00	4.61	27.67	5.06	30.08	5.68	30.73	5.74
	21	17.55	2.90	20.89	3.52	24.33	4.33	26.00	4.77	27.67	5.23	29.90	5.82	30.55	5.87
	23	17.55	2.97	20.89	3.76	24.33	4.64	26.00	5.11	27.67	5.61	29.53	6.08	30.08	6.14
	25	17.55	3.16	20.89	4.02	24.33	4.97	26.00	5.48	27.67	6.01	29.07	6.35	29.71	6.40
	27	17.55	3.38	20.89	4.28	24.33	5.31	26.00	5.86	27.67	6.43	28.60	6.62	29.25	6.68
	29	17.55	3.59	20.89	4.57	24.33	5.66	26.00	6.26	27.58	6.83	28.23	6.89	28.88	6.94
	31	17.55	3.83	20.89	4.88	24.33	6.04	26.00	6.68	27.21	7.10	27.77	7.16	28.41	7.22
	33	17.55	4.07	20.89	5.19	24.33	6.44	26.00	7.13	26.74	7.36	27.39	7.43	28.04	7.50
35	17.55	4.32	20.89	5.52	24.33	6.87	26.00	7.60	26.28	7.63	26.93	7.70	27.58	7.76	
37	17.55	4.60	20.89	5.88	24.33	7.32	25.53	7.87	25.91	7.91	26.56	7.98	27.12	8.04	
39	17.55	4.89	20.89	6.25	24.33	7.79	25.16	8.13	25.44	8.17	26.09	8.25	26.74	8.33	
41	17.55	5.11	20.89	6.48	24.33	8.08	24.77	8.19	25.25	8.30	25.64	8.44	26.35	8.50	
43	17.55	5.34	20.89	6.70	24.33	8.23	24.38	8.28	25.06	8.38	25.79	8.49	25.89	8.59	
45	17.55	5.65	20.89	7.01	24.33	8.37	23.86	8.40	24.93	8.53	25.57	8.63	25.37	8.71	
48	18.18	5.89	21.64	7.25	25.20	8.38	23.70	8.49	25.78	8.68	24.87	8.71	25.70	8.79	
90%	-5	15.79	2.11	18.85	2.53	21.91	2.99	23.40	3.26	24.89	3.47	27.95	3.99	31.01	4.57
	-2	15.79	2.13	18.85	2.56	21.91	3.03	23.40	3.31	24.89	3.51	27.95	4.03	31.01	4.61
	0	15.79	2.16	18.85	2.59	21.91	3.07	23.40	3.34	24.89	3.55	27.95	4.07	31.01	4.65
	2	15.79	2.19	18.85	2.62	21.91	3.10	23.40	3.40	24.89	3.61	27.95	4.16	31.01	4.71
	4	15.79	2.23	18.85	2.66	21.91	3.16	23.40	3.44	24.89	3.66	27.95	4.22	31.01	4.78
	6	15.79	2.26	18.85	2.71	21.91	3.21	23.40	3.51	24.89	3.72	27.95	4.29	31.01	4.86
	8	15.79	2.30	18.85	2.77	21.91	3.28	23.40	3.55	24.89	3.79	27.95	4.37	31.01	4.91
	10	15.79	2.35	18.85	2.83	21.91	3.34	23.40	3.61	24.89	3.87	27.95	4.42	31.01	4.99
	12	15.79	2.39	18.85	2.88	21.91	3.40	23.40	3.67	24.89	3.94	27.95	4.51	31.01	5.08
	14	15.79	2.43	18.85	2.93	21.91	3.46	23.40	3.74	24.89	4.01	27.95	4.59	31.01	5.17
	16	15.79	2.47	18.85	2.98	21.91	3.53	23.40	3.81	24.89	4.10	27.95	4.68	30.92	5.26
	18	15.79	2.51	18.85	3.04	21.91	3.59	23.40	3.88	24.89	4.18	27.95	4.77	30.55	5.43
	20	15.79	2.56	18.85	3.11	21.91	3.67	23.40	3.96	24.89	4.33	27.95	5.13	30.09	5.68
21	15.79	2.58	18.85	3.13	21.91	3.73	23.40	4.10	24.89	4.49	27.95	5.32	29.90	5.82	

90%	23	15.79	2.63	18.85	3.26	21.91	3.99	23.40	4.39	24.89	4.81	27.95	5.70	29.43	6.08
	25	15.79	2.78	18.85	3.48	21.91	4.27	23.40	4.70	24.89	5.14	27.95	6.10	29.07	6.35
	27	15.79	2.95	18.85	3.71	21.91	4.56	23.40	5.02	24.89	5.50	27.95	6.53	28.60	6.62
	29	15.79	3.14	18.85	3.95	21.91	4.86	23.40	5.36	24.89	5.88	27.67	6.83	28.23	6.88
	31	15.79	3.34	18.85	4.21	21.91	5.18	23.40	5.71	24.89	6.27	27.21	7.10	27.76	7.16
	33	15.79	3.54	18.85	4.48	21.91	5.53	23.40	6.09	24.89	6.69	26.84	7.37	27.39	7.43
	35	15.79	3.77	18.85	4.76	21.91	5.89	23.40	6.49	24.89	7.13	26.37	7.64	26.93	7.70
	37	15.79	3.99	18.85	5.06	21.91	6.27	23.40	6.91	24.89	7.60	25.91	7.91	26.56	7.97
	39	15.79	4.24	18.85	5.39	21.91	6.67	23.40	7.36	24.89	8.09	25.54	8.18	26.09	8.24
	41	15.79	4.39	18.85	5.63	21.91	6.91	23.40	7.56	24.89	8.14	25.36	8.39	25.92	8.44
	43	15.79	4.60	18.85	5.87	21.91	7.15	23.40	7.75	24.89	8.31	25.23	8.50	25.69	8.57
	45	15.79	4.89	18.85	6.17	21.91	7.45	23.40	8.01	24.89	8.54	25.09	8.59	25.30	8.68
	48	15.79	5.16	18.85	6.45	21.91	7.73	23.40	8.12	24.89	8.62	27.64	8.71	27.35	8.80
	80%	-5	14.02	1.86	16.71	2.20	19.41	2.60	20.80	2.77	22.19	2.98	24.89	3.45	27.58
-2		14.02	1.89	16.71	2.23	19.41	2.63	20.80	2.81	22.19	3.01	24.89	3.48	27.58	3.97
0		14.02	1.92	16.71	2.25	19.41	2.66	20.80	2.84	22.19	3.06	24.89	3.53	27.58	4.03
2		14.02	1.96	16.71	2.29	19.41	2.70	20.80	2.90	22.19	3.12	24.89	3.60	27.58	4.10
4		14.02	1.99	16.71	2.32	19.41	2.75	20.80	2.96	22.19	3.17	24.89	3.66	27.58	4.16
6		14.02	2.02	16.71	2.38	19.41	2.79	20.80	3.03	22.19	3.23	24.89	3.72	27.58	4.23
8		14.02	2.06	16.71	2.43	19.41	2.86	20.80	3.08	22.19	3.30	24.89	3.77	27.58	4.31
10		14.02	2.08	16.71	2.49	19.41	2.93	20.80	3.15	22.19	3.38	24.89	3.86	27.58	4.35
12		14.02	2.11	16.71	2.53	19.41	2.98	20.80	3.22	22.19	3.45	24.89	3.93	27.58	4.44
14		14.02	2.15	16.71	2.58	19.41	3.03	20.80	3.27	22.19	3.51	24.89	4.00	27.58	4.52
16		14.02	2.18	16.71	2.62	19.41	3.09	20.80	3.33	22.19	3.58	24.89	4.09	27.58	4.60
18		14.02	2.22	16.71	2.67	19.41	3.15	20.80	3.40	22.19	3.65	24.89	4.17	27.58	4.69
20		14.02	2.26	16.71	2.72	19.41	3.22	20.80	3.46	22.19	3.72	24.89	4.32	27.58	5.02
21		14.02	2.28	16.71	2.75	19.41	3.25	20.80	3.50	22.19	3.80	24.89	4.48	27.58	5.20
23		14.02	2.33	16.71	2.81	19.41	3.40	20.80	3.73	22.19	4.07	24.89	4.79	27.58	5.58
25		14.02	2.40	16.71	2.98	19.41	3.64	20.80	3.98	22.19	4.34	24.89	5.13	27.58	5.97
27		14.02	2.55	16.71	3.18	19.41	3.87	20.80	4.25	22.19	4.64	24.89	5.48	27.58	6.39
29		14.02	2.71	16.71	3.38	19.41	4.13	20.80	4.53	22.19	4.96	24.89	5.85	27.58	6.83
31		14.02	2.88	16.71	3.60	19.41	4.39	20.80	4.82	22.19	5.29	24.89	6.25	27.11	7.10
33		14.02	3.06	16.71	3.82	19.41	4.68	20.80	5.14	22.19	5.62	24.89	6.66	26.74	7.36
35	14.02	3.25	16.71	4.07	19.41	4.98	20.80	5.47	22.19	5.99	24.89	7.10	26.28	7.63	
37	14.02	3.44	16.71	4.31	19.41	5.30	20.80	5.83	22.19	6.38	24.89	7.57	25.91	7.90	
39	14.02	3.65	16.71	4.60	19.41	5.63	20.80	6.20	22.19	6.79	24.89	8.06	25.44	8.17	
41	14.02	3.73	16.71	4.64	19.41	5.72	20.80	6.36	22.19	6.91	24.89	8.27	25.29	8.32	
43	14.02	3.84	16.71	4.68	19.41	5.80	20.80	6.47	22.19	7.01	24.89	8.36	25.13	8.41	
45	14.02	3.95	16.71	4.74	19.41	5.91	20.80	6.61	22.19	7.13	24.89	8.45	24.82	8.54	
48	14.02	4.08	16.71	4.77	21.83	6.00	20.80	6.70	22.19	7.19	24.89	8.54	27.69	8.66	
70%	-5	12.26	1.66	14.67	1.95	16.99	2.21	18.20	2.36	19.41	2.52	21.73	2.89	24.14	3.32
	-2	12.26	1.67	14.67	1.96	16.99	2.22	18.20	2.41	19.41	2.57	21.73	2.93	24.14	3.37
	0	12.26	1.68	14.67	1.98	16.99	2.26	18.20	2.46	19.41	2.62	21.73	2.99	24.14	3.41
	2	12.26	1.69	14.67	1.99	16.99	2.30	18.20	2.50	19.41	2.66	21.73	3.06	24.14	3.47
	4	12.26	1.71	14.67	2.04	16.99	2.35	18.20	2.55	19.41	2.72	21.73	3.11	24.14	3.55
	6	12.26	1.74	14.67	2.08	16.99	2.41	18.20	2.63	19.41	2.78	21.73	3.16	24.14	3.62
	8	12.26	1.77	14.67	2.14	16.99	2.46	18.20	2.67	19.41	2.84	21.73	3.25	24.14	3.68
	10	12.26	1.81	14.67	2.17	16.99	2.53	18.20	2.72	19.41	2.92	21.73	3.32	24.14	3.73
	12	12.26	1.85	14.67	2.20	16.99	2.58	18.20	2.78	19.41	2.97	21.73	3.38	24.14	3.80
	14	12.26	1.88	14.67	2.24	16.99	2.62	18.20	2.82	19.41	3.02	21.73	3.44	24.14	3.87
	16	12.26	1.92	14.67	2.28	16.99	2.67	18.20	2.88	19.41	3.08	21.73	3.50	24.14	3.94
	18	12.26	1.95	14.67	2.33	16.99	2.72	18.20	2.93	19.41	3.13	21.73	3.57	24.14	4.03
	20	12.26	1.98	14.67	2.37	16.99	2.78	18.20	2.98	19.41	3.20	21.73	3.65	24.14	4.14
	21	12.26	2.00	14.67	2.39	16.99	2.80	18.20	3.01	19.41	3.23	21.73	3.70	24.14	4.28
	23	12.26	2.03	14.67	2.43	16.99	2.86	18.20	3.11	19.41	3.39	21.73	3.96	24.14	4.59
	25	12.26	2.07	14.67	2.53	16.99	3.04	18.20	3.33	19.41	3.62	21.73	4.24	24.14	4.91
	27	12.26	2.19	14.67	2.69	16.99	3.25	18.20	3.54	19.41	3.86	21.73	4.53	24.14	5.24
	29	12.26	2.33	14.67	2.86	16.99	3.45	18.20	3.78	19.41	4.11	21.73	4.82	24.14	5.60
	31	12.26	2.46	14.67	3.03	16.99	3.68	18.20	4.02	19.41	4.37	21.73	5.14	24.14	5.97
	33	12.26	2.61	14.67	3.23	16.99	3.91	18.20	4.27	19.41	4.66	21.73	5.48	24.14	6.37
35	12.26	2.77	14.67	3.42	16.99	4.15	18.20	4.55	19.41	4.96	21.73	5.84	24.14	6.79	
37	12.26	2.92	14.67	3.63	16.99	4.41	18.20	4.82	19.41	5.28	21.73	6.22	24.14	7.23	
39	12.26	3.09	14.67	3.84	16.99	4.68	18.20	5.13	19.41	5.60	21.73	6.61	24.14	7.70	
41	12.26	3.23	14.67	3.98	16.99	4.82	18.20	5.30	19.41	5.77	21.73	6.88	24.14	8.04	

	43	12.26	3.49	14.67	4.25	16.99	5.02	18.20	5.59	19.41	5.94	21.73	7.13	24.14	8.29
	45	12.26	3.57	14.67	4.34	16.99	5.12	18.20	5.68	19.41	6.24	21.73	7.52	24.14	8.61
	48	12.26	3.66	14.67	4.38	16.99	5.17	18.20	5.77	19.41	6.41	21.73	7.85	24.14	8.81
60%	-5	10.49	1.42	12.54	1.64	14.58	1.91	15.60	2.04	16.62	2.20	18.66	2.47	20.71	2.84
	-2	10.49	1.42	12.54	1.67	14.58	1.95	15.60	2.07	16.62	2.22	18.66	2.51	20.71	2.85
	0	10.49	1.45	12.54	1.69	14.58	1.97	15.60	2.09	16.62	2.26	18.66	2.55	20.71	2.89
	2	10.49	1.47	12.54	1.73	14.58	2.01	15.60	2.14	16.62	2.29	18.66	2.60	20.71	2.93
	4	10.49	1.51	12.54	1.76	14.58	2.05	15.60	2.16	16.62	2.33	18.66	2.64	20.71	2.97
	6	10.49	1.53	12.54	1.79	14.58	2.09	15.60	2.21	16.62	2.37	18.66	2.69	20.71	3.04
	8	10.49	1.56	12.54	1.82	14.58	2.13	15.60	2.25	16.62	2.42	18.66	2.74	20.71	3.09
	10	10.49	1.59	12.54	1.86	14.58	2.16	15.60	2.31	16.62	2.47	18.66	2.80	20.71	3.13
	12	10.49	1.62	12.54	1.89	14.58	2.20	15.60	2.36	16.62	2.51	18.66	2.85	20.71	3.18
	14	10.49	1.64	12.54	1.93	14.58	2.23	15.60	2.40	16.62	2.56	18.66	2.90	20.71	3.25
	16	10.49	1.66	12.54	1.96	14.58	2.27	15.60	2.44	16.62	2.60	18.66	2.95	20.71	3.31
	18	10.49	1.69	12.54	1.99	14.58	2.31	15.60	2.48	16.62	2.65	18.66	3.00	20.71	3.37
	20	10.49	1.71	12.54	2.03	14.58	2.36	15.60	2.53	16.62	2.70	18.66	3.06	20.71	3.44
	21	10.49	1.73	12.54	2.04	14.58	2.38	15.60	2.55	16.62	2.72	18.66	3.09	20.71	3.47
	23	10.49	1.75	12.54	2.08	14.58	2.42	15.60	2.60	16.62	2.78	18.66	3.22	20.71	3.70
	25	10.49	1.78	12.54	2.11	14.58	2.51	15.60	2.72	16.62	2.95	18.66	3.43	20.71	3.94
	27	10.49	1.85	12.54	2.24	14.58	2.67	15.60	2.91	16.62	3.14	18.66	3.66	20.71	4.21
	29	10.49	1.96	12.54	2.38	14.58	2.85	15.60	3.09	16.62	3.35	18.66	3.90	20.71	4.50
	31	10.49	2.08	12.54	2.52	14.58	3.02	15.60	3.29	16.62	3.56	18.66	4.15	20.71	4.78
	33	10.49	2.19	12.54	2.67	14.58	3.21	15.60	3.49	16.62	3.79	18.66	4.41	20.71	5.10
35	10.49	2.32	12.54	2.84	14.58	3.40	15.60	3.71	16.62	4.02	18.66	4.70	20.71	5.43	
37	10.49	2.46	12.54	3.00	14.58	3.60	15.60	3.93	16.62	4.27	18.66	5.00	20.71	5.78	
39	10.49	2.59	12.54	3.17	14.58	3.82	15.60	4.17	16.62	4.54	18.66	5.30	20.71	6.14	
41	10.49	2.67	12.54	3.31	14.58	3.96	15.60	4.33	16.62	4.70	18.66	5.55	20.71	6.42	
43	10.49	2.76	12.54	3.45	14.58	4.10	15.60	4.46	16.62	4.87	18.66	5.79	20.71	6.70	
45	10.49	2.89	12.54	3.63	14.58	4.26	15.60	4.63	16.62	5.11	18.66	6.05	20.71	7.07	
48	10.49	3.00	12.54	3.79	14.58	4.41	15.60	4.75	16.62	5.31	18.66	6.27	20.71	7.41	
50%	-5	8.78	1.23	10.49	1.42	12.16	1.63	13.00	1.71	13.84	1.81	15.51	2.05	17.27	2.21
	-2	8.78	1.24	10.49	1.45	12.16	1.65	13.00	1.73	13.84	1.84	15.51	2.08	17.27	2.24
	0	8.78	1.26	10.49	1.47	12.16	1.68	13.00	1.76	13.84	1.86	15.51	2.11	17.27	2.28
	2	8.78	1.28	10.49	1.49	12.16	1.71	13.00	1.78	13.84	1.89	15.51	2.12	17.27	2.32
	4	8.78	1.29	10.49	1.52	12.16	1.73	13.00	1.81	13.84	1.93	15.51	2.18	17.27	2.38
	6	8.78	1.31	10.49	1.54	12.16	1.75	13.00	1.85	13.84	1.96	15.51	2.21	17.27	2.45
	8	8.78	1.34	10.49	1.57	12.16	1.78	13.00	1.89	13.84	1.99	15.51	2.25	17.27	2.53
	10	8.78	1.37	10.49	1.59	12.16	1.81	13.00	1.92	13.84	2.05	15.51	2.30	17.27	2.57
	12	8.78	1.38	10.49	1.61	12.16	1.84	13.00	1.96	13.84	2.09	15.51	2.35	17.27	2.61
	14	8.78	1.40	10.49	1.63	12.16	1.86	13.00	2.00	13.84	2.12	15.51	2.39	17.27	2.66
	16	8.78	1.42	10.49	1.65	12.16	1.89	13.00	2.03	13.84	2.15	15.51	2.43	17.27	2.70
	18	8.78	1.44	10.49	1.68	12.16	1.93	13.00	2.06	13.84	2.19	15.51	2.47	17.27	2.75
	20	8.78	1.46	10.49	1.70	12.16	1.96	13.00	2.09	13.84	2.23	15.51	2.51	17.27	2.81
	21	8.78	1.47	10.49	1.72	12.16	1.98	13.00	2.11	13.84	2.25	15.51	2.54	17.27	2.84
	23	8.78	1.50	10.49	1.74	12.16	2.01	13.00	2.15	13.84	2.29	15.51	2.58	17.27	2.90
	25	8.78	1.52	10.49	1.77	12.16	2.05	13.00	2.19	13.84	2.37	15.51	2.71	17.27	3.09
	27	8.78	1.55	10.49	1.84	12.16	2.16	13.00	2.34	13.84	2.51	15.51	2.89	17.27	3.30
	29	8.78	1.63	10.49	1.95	12.16	2.29	13.00	2.48	13.84	2.67	15.51	3.07	17.27	3.51
	31	8.78	1.72	10.49	2.06	12.16	2.43	13.00	2.63	13.84	2.84	15.51	3.27	17.27	3.74
	33	8.78	1.82	10.49	2.18	12.16	2.58	13.00	2.79	13.84	3.01	15.51	3.47	17.27	3.97
35	8.78	1.93	10.49	2.30	12.16	2.72	13.00	2.95	13.84	3.19	15.51	3.69	17.27	4.22	
37	8.78	2.03	10.49	2.44	12.16	2.89	13.00	3.12	13.84	3.38	15.51	3.91	17.27	4.49	
39	8.78	2.14	10.49	2.57	12.16	3.05	13.00	3.31	13.84	3.58	15.51	4.15	17.27	4.76	
41	8.78	2.23	10.49	2.68	12.16	3.16	13.00	3.46	13.84	3.74	15.51	4.37	17.27	4.98	
43	8.78	2.38	10.49	2.87	12.16	3.27	13.00	3.62	13.84	3.84	15.51	4.59	17.27	5.20	
45	8.78	2.43	10.49	2.94	12.16	3.49	13.00	3.90	13.84	4.00	15.51	5.03	17.27	5.65	
48	8.78	2.49	10.49	3.02	12.16	3.70	13.00	4.14	13.84	4.18	15.51	5.44	17.27	6.08	

Note:

- 1, [] are tested under our standard condition.
- 2, In cooling mode, avoid the outdoor air temperature range from 42-46 degree C, when selecting the models.
- 3, The above table shows the average value of conditions may operate.
- 4, It is recommended to connect less than 130%.

Heating

Combination (%) (Capacity index)	Outdoor Air temperature (°C DB)		Indoor temperature(°C WB)											
			16		18		20		21		22		24	
			TC	PI	TC	PI	TC	PI	TC	PI	TC	PI	TC	PI
	°C	°C WB	kW	kW	kW	kW	kW	kW	kW	kW	kW	kW	kW	kW
130%	-19.	-20	18.46	4.80	18.37	5.14	18.28	5.48	18.28	5.65	18.19	5.82	18.19	6.16
	-18.	-19	18.73	4.91	18.64	5.25	18.64	5.58	18.55	5.75	18.55	5.91	18.46	6.24
	-16.	-17	19.45	5.14	19.36	5.46	19.27	5.78	19.27	5.94	19.27	6.10	19.18	6.42
	-13.	-15	20.26	5.38	20.18	5.69	20.09	6.00	20.09	6.15	20.00	6.31	20.00	6.61
	-11.	-13	21.08	5.62	21.08	5.92	20.99	6.21	20.90	6.36	20.90	6.51	20.81	6.80
	-9.8	-11	22.08	5.86	21.99	6.15	21.89	6.43	21.89	6.57	21.89	6.71	21.80	6.99
	-9.5	-10	22.62	5.99	22.53	6.26	22.44	6.53	22.44	6.68	22.35	6.81	22.35	7.08
	-8.5	-9.1	23.07	6.09	22.98	6.36	22.98	6.63	22.89	6.76	22.89	6.90	22.80	7.17
	-7	-7.6	23.89	6.27	23.89	6.53	23.79	6.79	23.79	6.92	23.70	7.05	23.61	7.31
	-5	-5.6	25.15	6.51	25.06	6.76	24.97	7.00	24.97	7.13	24.88	7.24	24.88	7.49
	-3	-3.7	26.33	6.72	26.24	6.96	26.24	7.19	26.15	7.31	26.15	7.43	26.06	7.66
	0	-0.7	28.41	7.05	28.41	7.27	28.32	7.48	28.32	7.56	28.23	7.70	28.23	7.91
	3	2.2	30.67	7.34	30.58	7.54	30.49	7.75	30.49	7.84	30.49	7.95	30.40	8.14
	5	4.1	32.21	7.52	32.12	7.72	32.12	7.90	32.03	8.00	32.03	8.10	31.94	8.28
	7	6	33.84	7.70	33.75	7.88	33.75	8.06	33.66	8.15	33.66	8.24	32.30	7.91
	120%	-19.	-20	18.37	5.26	18.28	5.57	18.19	5.89	18.19	6.04	18.19	6.20	18.09
-18.		-19	18.64	5.36	18.55	5.67	18.55	5.98	18.46	6.13	18.46	6.29	18.37	6.60
-16.		-17	19.36	5.57	19.27	5.87	19.15	6.16	19.18	6.31	19.18	6.46	19.09	6.76
-13.		-15	20.18	5.79	20.09	6.08	20.00	6.36	20.00	6.51	20.00	6.65	19.91	6.93
-11.		-13	20.99	6.01	20.99	6.29	20.90	6.56	20.90	6.70	20.81	6.84	20.81	7.11
-9.8		-11	21.99	6.24	21.89	6.50	21.89	6.76	21.80	6.90	21.80	7.02	21.72	7.29
-9.5		-10	22.53	6.36	22.44	6.61	22.35	6.86	22.35	6.99	22.35	7.12	22.26	7.37
-8.5		-9.1	22.98	6.46	22.89	6.70	22.89	6.95	22.80	7.07	22.80	7.21	22.71	7.45
-7		-7.6	23.80	6.62	23.80	6.86	23.71	7.10	23.71	7.22	23.61	7.34	23.61	7.58
-5		-5.6	25.06	6.84	24.97	7.07	24.88	7.29	24.88	7.41	24.88	7.52	24.79	7.75
-3		-3.7	26.24	7.04	26.24	7.26	26.15	7.47	26.15	7.58	26.06	7.69	26.06	7.90
0		-0.7	28.32	7.34	28.32	7.54	28.23	7.74	28.23	7.84	28.14	7.94	28.14	8.14
3		2.2	30.58	7.61	30.49	7.80	30.49	7.98	30.40	8.08	30.40	8.17	29.77	8.13
5		4.1	32.12	7.78	32.03	7.96	32.03	8.13	31.94	8.22	31.94	8.31	29.77	7.63
7		6	33.75	7.94	33.75	8.11	33.66	8.27	33.12	8.16	32.03	7.82	29.77	7.18
110%		-19.	-20	18.28	5.72	18.19	6.01	18.10	6.30	18.10	6.44	18.10	6.58	18.01
	-18.	-19	18.55	5.81	18.46	6.09	18.46	6.38	18.46	6.52	18.37	6.66	18.37	6.94
	-16.	-17	19.27	6.01	19.18	6.28	19.45	6.55	19.09	6.69	19.09	6.83	19.00	7.09
	-13.	-15	20.09	6.21	20.00	6.47	19.90	6.73	19.90	6.86	19.90	6.99	19.81	7.25
	-11.	-13	20.90	6.42	20.90	6.67	20.81	6.92	20.81	7.04	20.72	7.16	20.72	7.42
	-9.8	-11	21.90	6.62	21.80	6.86	21.80	7.10	21.71	7.22	21.71	7.34	21.71	7.58
	-9.5	-10	22.44	6.73	22.35	6.96	22.26	7.20	22.26	7.31	22.26	7.43	22.17	7.66
	-8.5	-9.1	22.89	6.82	22.80	7.05	22.80	7.28	22.71	7.39	22.71	7.51	22.71	6.84
	-7	-7.6	23.70	6.98	23.70	7.19	23.62	7.41	23.62	7.52	23.62	7.63	23.52	7.85
	-5	-5.6	24.97	7.17	24.88	7.38	24.79	7.59	24.79	7.69	24.79	7.80	24.70	8.01
	-3	-3.7	26.15	7.36	26.15	7.55	26.06	7.75	26.06	7.85	25.97	7.95	25.97	8.15
	0	-0.7	28.23	7.63	28.23	7.82	28.14	8.00	28.14	8.09	28.14	8.19	27.32	8.03
	3	2.2	30.49	7.89	30.40	8.05	30.40	8.22	30.31	8.30	29.31	7.97	27.32	7.30
	5	4.1	32.03	8.04	32.03	8.20	31.40	8.12	30.31	7.80	29.31	7.49	27.32	6.87
	7	6	33.66	8.19	33.39	8.24	31.40	7.63	30.31	7.33	29.31	7.04	27.32	6.46
	100%	-19.	-20	18.19	6.18	18.09	6.44	18.09	6.70	18.00	6.84	18.00	6.96	17.92

	-18.	-19	18.46	6.26	18.46	6.52	18.37	6.77	18.37	6.91	18.28	7.04	18.28	7.29
	-16.	-17	19.18	6.44	19.09	6.69	19.09	6.93	19.00	7.06	19.00	7.18	19.00	7.43
	-13.	-15	20.00	6.62	19.90	6.86	19.81	7.10	19.81	7.22	19.81	7.34	19.72	7.58
	-11.	-13	20.81	6.82	20.81	7.04	20.72	7.27	20.72	7.38	20.72	7.50	20.63	7.73
	-9.8	-11	21.81	7.00	21.71	7.22	21.71	7.44	21.71	7.55	21.62	7.66	21.62	7.87
	-9.5	-10	22.35	7.10	22.26	7.31	22.26	7.52	22.17	7.63	22.17	7.74	22.08	7.95
	-8.5	-9.1	22.80	7.18	22.71	7.39	22.71	7.59	22.71	7.70	22.62	7.81	22.62	8.01
	-7	-7.6	23.62	7.32	23.62	7.52	23.52	7.72	23.52	7.82	23.52	7.92	23.43	8.12
	-5	-5.6	24.88	7.51	24.79	7.69	24.79	7.89	24.70	7.97	24.70	8.07	24.61	8.27
	-3	-3.7	26.06	7.67	26.06	6.97	25.97	8.04	25.97	8.12	25.97	8.21	24.88	7.87
	0	-0.7	28.14	7.92	28.14	8.09	28.05	8.26	27.60	8.12	26.69	7.79	24.88	7.14
	3	2.2	30.40	8.15	30.31	8.30	28.50	7.68	27.60	7.38	26.69	7.09	24.88	6.51
	5	4.1	31.94	8.30	30.31	7.80	28.50	7.22	27.60	6.95	26.69	6.68	24.88	6.14
	7	6	32.12	7.88	30.31	7.33	28.50	6.80	27.60	6.54	26.69	6.29	24.88	5.78
	9	7.9	32.12	7.40	30.31	6.90	28.50	6.40	27.60	6.08	26.69	5.93	24.88	5.46
11	9.8	32.12	6.97	30.31	6.50	28.50	6.04	27.60	5.81	26.69	5.59	24.88	5.16	
13	11.8	32.12	6.54	30.31	6.11	28.50	5.69	27.60	5.48	26.69	5.27	24.88	4.87	
15	13.7	32.12	6.17	30.31	5.77	28.50	5.37	27.60	5.17	26.69	4.98	24.88	4.61	
90%	-19.	-20	18.06	6.64	17.97	6.87	17.97	7.11	17.88	7.22	17.88	7.35	17.88	7.58
	-18.	-19	18.33	6.71	18.33	6.95	18.24	7.18	18.24	7.29	18.24	7.41	18.15	7.64
	-16.	-17	19.06	6.88	18.97	7.10	18.97	7.32	18.97	7.44	18.88	7.54	18.88	7.76
	-13.	-15	19.87	7.05	19.78	7.26	19.78	7.47	19.69	7.58	19.69	7.68	19.69	7.89
	-11.	-13	20.68	7.22	20.68	7.42	20.59	7.62	20.59	7.73	20.59	7.82	20.50	8.03
	-9.8	-11	21.68	7.38	21.68	7.58	21.58	7.77	21.58	7.87	21.58	7.97	21.49	8.17
	-9.5	-10	22.22	7.47	22.13	7.67	22.13	7.85	22.04	7.95	22.04	8.05	22.04	8.23
	-8.5	-9.1	22.67	7.55	22.67	7.74	22.58	7.92	22.58	8.01	22.58	8.11	22.31	8.19
	-7	-7.6	23.48	7.67	23.48	7.85	23.39	8.04	23.39	8.12	23.39	8.21	22.31	7.82
	-5	-5.6	24.75	7.84	24.66	8.01	24.66	8.18	24.57	8.27	23.93	8.01	22.31	7.35
	-3	-3.7	25.92	7.99	25.92	8.15	25.65	8.19	24.75	7.86	23.93	7.54	22.31	6.92
	0	-0.7	28.09	8.22	27.28	8.02	25.65	7.43	24.75	7.14	23.93	6.85	22.31	6.30
	3	2.2	28.90	7.83	27.28	7.29	25.65	6.76	24.75	6.51	23.93	6.25	22.31	5.76
	5	4.1	28.90	7.37	27.28	6.86	25.65	6.38	24.75	6.13	23.93	5.90	22.31	5.43
	7	6	28.90	6.92	27.28	6.46	25.65	6.01	24.75	5.78	23.93	5.56	22.31	5.13
9	7.9	28.90	6.53	27.28	6.08	25.65	5.66	24.75	5.46	23.93	5.25	22.31	4.85	
11	9.8	28.90	6.15	27.28	5.74	25.65	5.35	24.75	5.16	23.93	4.96	22.31	4.59	
13	11.8	28.90	5.78	27.28	5.41	25.65	5.04	24.75	4.87	23.93	4.69	22.31	4.34	
15	13.7	28.90	5.47	27.28	5.11	25.65	4.78	24.75	4.61	23.93	4.44	22.31	4.12	
80%	-19.	-20	18.01	7.10	17.91	7.30	17.91	7.52	17.91	7.62	17.82	7.73	17.82	7.93
	-18.	-19	18.28	7.16	18.28	7.37	18.19	7.58	18.19	7.68	18.19	7.78	18.10	7.99
	-16.	-17	19.00	7.31	18.91	7.51	18.91	7.71	18.91	7.81	18.91	7.90	18.82	8.10
	-13.	-15	19.81	7.46	19.72	7.65	19.72	7.84	19.72	7.93	19.63	8.03	19.63	8.22
	-11.	-13	20.63	7.61	20.63	7.80	20.54	7.97	20.54	8.06	20.54	8.16	19.90	7.94
	-9.8	-11	21.62	7.76	21.62	7.94	21.53	8.12	21.53	8.20	21.35	8.18	19.90	7.50
	-9.5	-10	22.17	7.84	22.07	8.01	22.08	8.18	22.08	8.27	21.35	7.94	19.90	7.28
	-8.5	-9.1	22.62	7.91	21.02	8.08	22.53	8.24	22.08	8.05	21.35	7.73	19.90	7.08
	-7	-7.6	23.43	8.03	23.43	8.19	22.80	8.01	22.08	7.69	21.35	7.38	19.90	6.77
	-5	-5.6	24.70	8.17	24.25	8.12	22.80	7.52	22.08	7.23	21.35	6.94	19.90	6.38
	-3	-3.7	25.70	8.21	24.25	7.65	22.80	7.08	22.08	6.82	21.35	6.54	19.90	6.02
	0	-0.7	25.70	7.45	24.25	6.94	22.80	6.45	22.08	6.21	21.35	5.96	19.90	5.49
	3	2.2	25.70	6.79	24.25	6.33	22.80	5.89	22.08	5.67	21.35	5.46	19.90	5.03
	5	4.1	25.70	6.39	24.25	5.97	22.80	5.55	22.08	5.35	21.35	5.16	19.90	4.76
	7	6	25.70	6.02	24.25	5.63	22.80	5.25	22.08	5.06	21.35	4.87	19.90	4.50
9	7.9	25.70	5.69	24.25	5.32	22.80	4.95	22.08	4.78	21.35	4.61	19.90	4.27	
11	9.8	25.70	5.37	24.25	5.02	22.80	4.69	22.08	4.52	21.35	4.36	19.90	4.04	
13	11.8	25.70	5.06	24.25	4.74	22.80	4.43	22.08	4.27	21.35	4.12	19.90	3.82	
15	13.7	25.70	4.79	24.25	4.49	22.80	4.20	22.08	4.05	21.35	3.91	19.90	3.64	
70%	-19.	-20	17.87	7.56	17.78	7.74	17.78	7.92	17.78	8.01	17.78	8.11	17.33	8.02
	-18.	-19	18.14	7.62	18.14	7.80	18.05	7.97	18.05	8.06	18.05	8.16	17.33	7.85
	-16.	-17	18.87	7.74	18.87	7.92	18.78	8.09	18.78	8.18	18.60	7.29	17.33	7.49
	-13.	-15	19.68	7.88	19.59	8.04	19.59	8.21	19.23	8.09	18.60	7.76	17.33	7.12
	-11.	-13	20.49	8.01	20.49	8.17	19.95	7.97	19.23	7.66	18.60	7.36	17.33	6.75
	-9.8	-11	21.48	8.14	21.21	8.13	19.95	7.53	19.23	7.24	18.60	6.95	17.33	6.38
-9.5	-10	22.03	8.21	21.21	7.89	19.95	7.31	19.23	7.03	18.60	6.76	17.33	6.21	

	-8.5	-9.1	22.48	8.26	21.21	7.68	19.95	7.12	19.23	6.84	18.60	6.58	17.33	6.05
	-7	-7.6	22.48	7.89	21.21	7.34	19.95	6.81	19.23	6.55	18.60	6.30	17.33	5.79
	-5	-5.6	22.48	7.41	21.21	6.91	19.95	6.41	19.23	6.16	18.60	7.28	17.33	5.47
	-3	-3.7	22.48	6.98	21.21	6.51	19.95	6.05	19.23	5.82	18.60	5.60	17.33	5.17
	0	-0.7	22.48	6.35	21.21	5.93	19.95	5.52	19.23	5.32	18.60	5.12	17.33	4.73
	3	2.2	22.48	5.80	21.21	5.43	19.95	5.06	19.23	4.87	18.60	4.70	17.33	4.34
	5	4.1	22.48	5.47	21.21	5.12	19.95	4.79	19.23	4.61	18.60	4.44	17.33	4.12
	7	6	22.48	5.17	21.21	4.85	19.95	4.52	19.23	4.36	18.60	4.21	17.33	3.90
	9	7.9	22.48	4.89	21.21	4.58	19.95	4.28	19.23	4.13	18.60	3.99	17.33	3.70
	11	9.8	22.48	4.63	21.21	4.34	19.95	4.06	19.23	3.92	18.60	3.79	17.33	3.51
	13	11.8	22.48	4.37	21.21	4.11	19.95	3.84	19.23	3.72	18.60	3.59	17.33	3.34
	15	13.7	22.48	4.14	21.21	3.89	19.95	3.65	19.23	3.53	18.60	3.41	17.33	3.18
60%	-19.	-20	17.82	8.02	17.73	8.17	17.10	7.86	16.56	7.55	16.01	7.25	14.93	6.65
	-18.	-19	18.10	8.07	18.10	8.22	17.10	7.69	16.56	7.39	16.01	7.09	14.93	6.51
	-16.	-17	18.82	8.18	18.19	7.92	17.10	7.34	16.56	7.06	16.01	6.77	14.93	6.23
	-13.	-15	19.27	8.09	18.19	7.52	17.10	6.98	16.56	6.71	16.01	6.45	14.93	5.93
	-11.	-13	19.27	7.66	18.19	7.13	17.10	6.61	16.56	6.37	16.01	6.12	14.93	5.66
	-9.8	-11	19.27	7.23	18.19	6.74	17.10	6.26	16.56	6.02	16.01	5.79	14.93	5.34
	-9.5	-10	19.27	7.03	18.19	6.55	17.10	6.08	16.56	5.86	16.01	5.63	14.93	5.19
	-8.5	-9.1	19.27	6.84	18.19	6.38	17.10	5.93	16.56	5.71	16.01	5.49	14.93	5.07
	-7	-7.6	19.27	6.54	18.19	6.11	17.10	5.68	16.56	5.48	16.01	5.26	14.93	4.87
	-5	-5.6	19.27	6.16	18.19	5.76	17.10	5.36	16.56	5.17	16.01	4.97	14.93	4.60
	-3	-3.7	19.27	5.82	18.19	5.44	17.10	5.07	16.56	4.89	16.01	4.71	14.93	4.35
	0	-0.7	19.27	5.32	18.19	4.98	17.10	4.64	16.56	4.49	16.01	4.32	14.93	4.00
	3	2.2	19.27	4.87	18.19	4.57	17.10	4.27	16.56	4.12	16.01	3.98	14.93	3.69
	5	4.1	19.27	4.61	18.19	4.33	17.10	4.04	16.56	3.91	16.01	3.77	14.93	3.51
	7	6	19.27	4.36	18.19	4.10	17.10	3.83	16.56	3.71	16.01	3.59	14.93	3.33
	9	7.9	19.27	4.13	18.19	3.89	17.10	3.64	16.56	3.52	16.01	3.40	14.93	3.17
11	9.8	19.27	3.92	18.19	3.69	17.10	3.46	16.56	3.35	16.01	3.23	14.93	3.02	
13	11.8	19.27	3.71	18.19	3.50	17.10	3.28	16.56	3.18	16.01	3.07	14.93	2.87	
15	13.7	19.27	3.53	18.19	3.32	17.10	3.13	16.56	3.03	16.01	2.93	14.93	2.74	
50%	-19.	-20	16.05	7.29	15.15	6.79	14.25	6.30	13.71	6.08	13.26	5.84	12.36	5.38
	-18.	-19	16.05	7.14	15.15	6.65	14.25	6.18	13.71	5.94	13.26	5.71	12.36	5.27
	-16.	-17	16.05	6.81	15.15	6.35	14.25	5.91	13.71	5.69	13.26	5.48	12.36	5.05
	-13.	-15	16.05	6.48	15.15	6.05	14.25	5.62	13.71	5.42	13.26	5.22	12.36	4.82
	-11.	-13	16.05	6.15	15.15	5.75	14.25	5.35	13.71	5.16	13.26	4.96	12.36	4.59
	-9.8	-11	16.05	5.83	15.15	5.45	14.25	5.08	13.71	4.89	13.26	4.72	12.36	4.36
	-9.5	-10	16.05	5.67	15.15	5.30	14.25	4.94	13.71	4.77	13.26	4.59	12.36	4.25
	-8.5	-9.1	16.05	5.53	15.15	5.17	14.25	4.82	13.71	4.65	13.26	4.49	12.36	4.15
	-7	-7.6	16.05	5.30	15.15	4.96	14.25	4.63	13.71	4.47	13.26	4.31	12.36	3.99
	-5	-5.6	16.05	5.00	15.15	4.69	14.25	4.38	13.71	4.23	13.26	4.08	12.36	3.78
	-3	-3.7	16.05	4.73	15.15	4.44	14.25	4.15	13.71	4.01	13.26	3.87	12.36	3.59
	0	-0.7	16.05	4.34	15.15	4.08	14.25	3.82	13.71	3.69	13.26	3.57	12.36	3.32
	3	2.2	16.05	4.00	15.15	3.76	14.25	3.52	13.71	3.41	13.26	3.29	12.36	3.07
	5	4.1	16.05	3.80	15.15	3.57	14.25	3.35	13.71	3.24	13.26	3.13	12.36	2.92
	7	6	16.05	3.60	15.15	3.39	14.25	3.19	13.71	3.08	13.26	2.98	12.36	2.79
	9	7.9	16.05	3.42	15.15	3.22	14.25	3.03	13.71	2.94	13.26	2.84	12.36	2.66
11	9.8	16.05	3.25	15.15	3.06	14.25	2.89	13.71	2.80	13.26	2.71	12.36	2.53	
13	11.8	16.05	3.09	15.15	2.91	14.25	2.75	13.71	2.67	13.26	2.58	12.36	2.42	
15	13.7	16.05	2.94	15.15	2.78	14.25	2.62	13.71	2.54	13.26	2.46	12.36	2.31	

Note:

- 1, [redacted] are tested under our standard condition.
- 2, In heating mode, avoid the outdoor air temperature range from -15 to -20 degree C, when selecting the models.
- 3, The above table shows the average value of conditions may operate.
- 4, It is recommended to connect less than 130%.

8. Electric Characteristics

Model	Outdoor Unit				Power Supply		Compressor	OFM	
	Hz	Voltage	Min.	Max.	TOCA	MFA	RLA	kW	FLA
MDV-V200W/DRN1	50	380V~415V	342V	440V	18	30A	12	0.37	3.8
MDV-V224W/DRN1	50	380V~415V	342V	440V	23	40A	15.4	0.35	3.1
MDV-V260W/DRN1	50	380V~415V	342V	440V	23	40A	15.4	0.35	3.1

Remark:

TOCA: Total Over-current Amps. (A)

MFA: Max. Fuse Amps. (A)

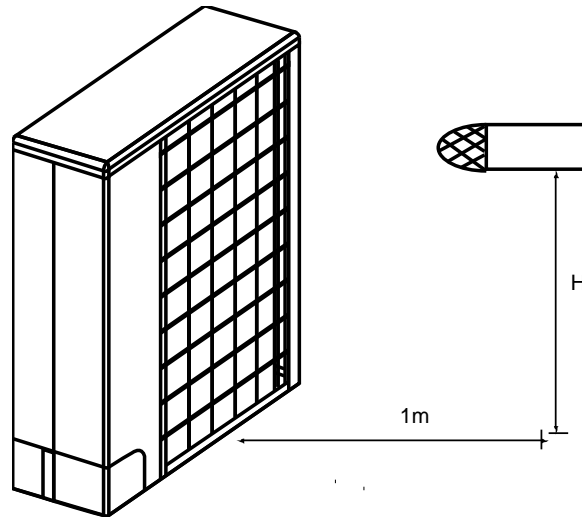
RLA: Rated Locked Amps. (A)

OFM: Outdoor Fan Motor.

FLA: Full Load Amps. (A)

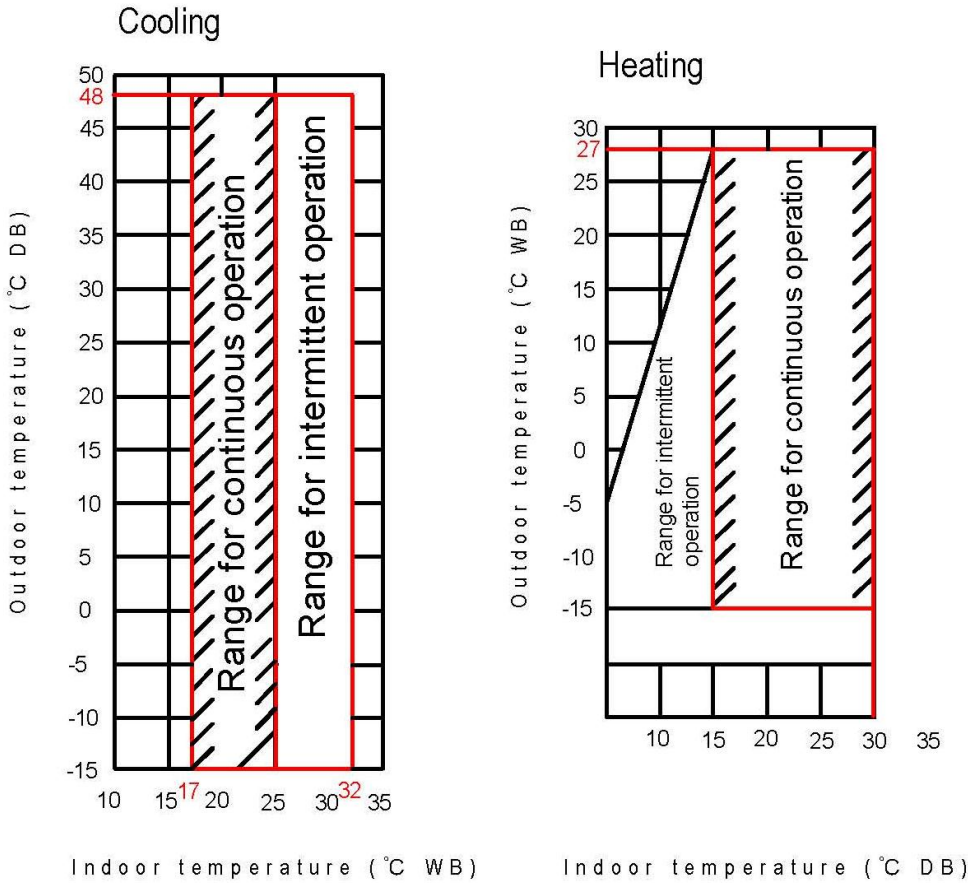
KW: Rated Motor Output (KW)

9. Sound Levels



Model	Noise level dB(A)	Height (m)
MDV-V200W/DRN1	59	1.3
MDV-V224W/DRN1	59	1.3
MDV-V260W/DRN1	60	1.3

10. Operation Limits



Mode	Outdoor temp.	Indoor temp.	Room relative humidity
Cooling mode	-15°C ~ 48°C	17°C ~ 32°C	below 80%
Heating mode	-15°C ~ 27°C	15°C ~ 30°C	—

Notes:

1. If the unit is running outside the above condition, protective device will start, and even then the units take place abnormality running.
2. These figures base on the operation conditions between indoor units and outdoor units: Equivalent pipe length is 5m, and height difference is 0m.

Precaution:

The indoor relative humidity should be lower than 80%. If the air conditioner works in an environment with a relative humidity higher than mentioned above, the surface of the air conditioner may condensate. In this case, it is recommended to set the air speed of the indoor unit to high.