

Part 2 Outdoor Units

1.	Specifications	10
2.	Dimensions	12
3.	Service Space	13
4.	Piping Diagrams	14
5.	Wiring Diagrams	15
6.	Field Wiring	17
7.	Capacity Tables	18
8.	Electric Characteristics	46
9.	Sound Levels	47
10.	Operation Limits	48

1. Specifications

Sale Model			MDV-V120W/DRN1	MDV-V140W/DRN1
Code			220095102350	220095102340
Power supply		V-Ph-Hz	380-415V-3N~50Hz	380-415V-3N~50Hz
Cooling	Capacity	kW	12.0	14.0
	Input	kW	3.25	3.95
	EER	kW/ kW	3.69	3.54
Heating	Capacity	kW	13.2	15.4
	Input	kW	3.47	4.16
	COP	kW/ kW	3.80	3.7
Max. input consumption		W	5400	6200
Max. current		A	10	11
Compressor	Model		TNB306FPNMC	TNB306FPNMC
	Type		Rotary	Rotary
	Brand		MITSUBISHI	MITSUBISHI
	Capacity	Btu/h	33720	33720
	Input	W	3010	3010
	Rated current(RLA)	A	9.3	9.3
	Crankcase	W	27	27
	Refrigerant oil	ml	FV50S 870ml	FV50S 870ml
Outdoor fan motor	Model		WZDK100-38G	WZDK100-38G
	Type		DC motor	DC motor
	Brand		Panasonic	Panasonic
	Insulation class		E	E
	Safe class		IP23	IP23
	Input	W	2 x 100	2 x 100
	Output	W	2 x 85	2 x 85
	Rated current	A	2 x 0.9	2 x 0.9
	Capacitor	uF	/	/
	Speed	r/min	800	800
Outdoor fan	Material		ASG20	ASG20
	Type		Axial fan	Axial fan
	Diameter	mm	508	508
	Height	mm	170	170
Outdoor coil	Number of rows		2	2
	Tube pitch(a)x row pitch(b)	mm	22 x 19.05	22 x 19.05
	Fin spacing	mm	1.6	1.6
	Tube outside dia.and type	mm	Φ7.94	Φ7.94
			Inner groove tube	Inner groove tube
	Coil length x height	mm	1276 x 870	1276 x 870
Number of circuits		7	7	
Outdoor air flow		m ³ /h	6000	6000
Outdoor sound level(sound pressure level)		dB(A)	57	57

Sale Model			MDV-V120W/DRN1	MDV-V140W/DRN1
Code			220095102350	220095102340
Outdoor Unit	Dimension(W x H x D)	mm	900 x 1327 x 320	900 x 1327 x 320
	Packing (W x H x D)	mm	1030 x 1456 x 435	1030 x 1456 x 435
	Net/Gross weight	kg	95/103	95/103
Refrigerant	Type		R410A	R410A
	Charged volume	g	3300	3900
Throttle type			Electronic expansion valve	
Design pressure		MPa	4.4/2.6	
Refrigerant piping	Liquid side/ Gas side	mm	Φ9.52/Φ15.9	Φ9.52/Φ15.9
	Max. refrigerant pipe length	m	100	100
	Max. difference in level	m	8	8
Connection wiring	Power wiring	mm ²	5 core x2.5	5 core x2.5
	Signal wiring	mm ²	3 core shielded wire x 0.75	3 core shielded wire x 0.75
Ambient temp		℃	(Cooling -15~48) (Heating -15~27)	(Cooling -15~48) (Heating -15~27)

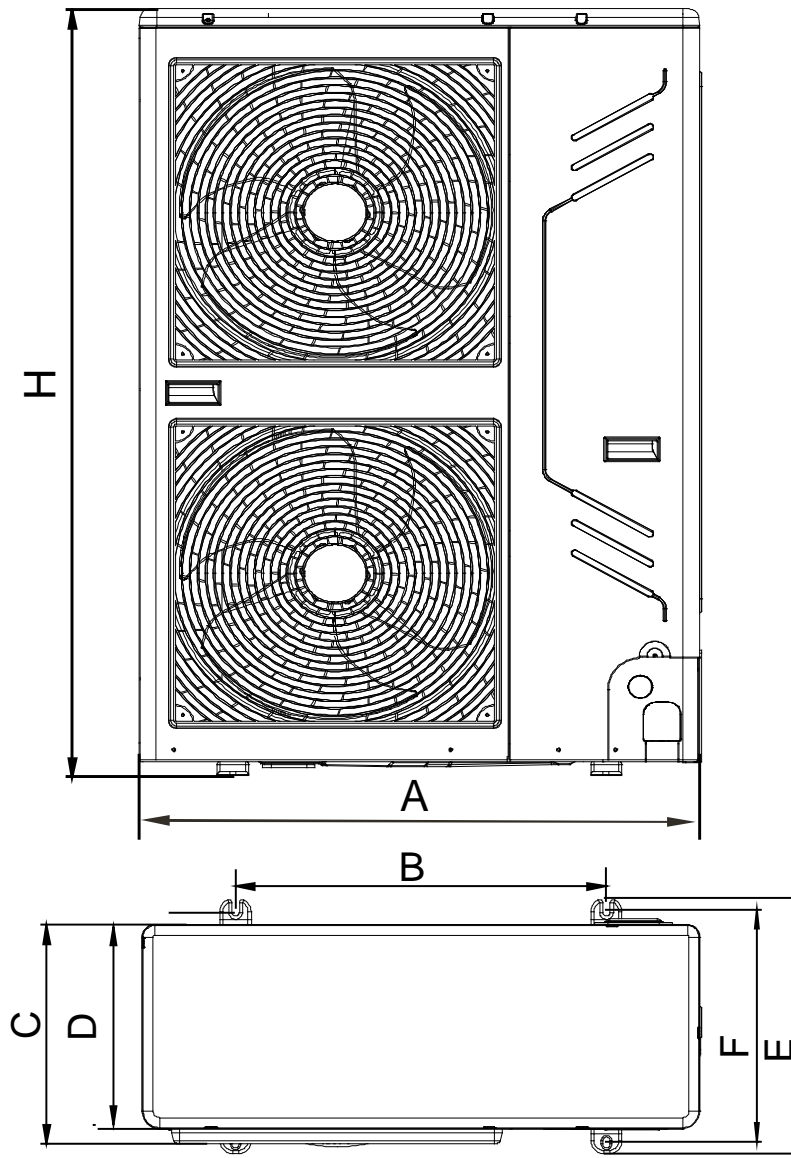
Sale Model			MDV-V160W/DRN1	MDV-V180W/DRN1
Code			220095102370	220095103410
Power supply		V-Ph-Hz	380-415V-3N~50Hz	380-415V-3N~50Hz
Cooling	Capacity	kW	15.5	17.5
	Input	kW	4.52	5.3
	EER	kW/ kW	3.43	3.3
Heating	Capacity	kW	17.0	19.0
	Input	kW	4.77	5.0
	COP	kW/ kW	3.56	3.8
Max. input consumption		W	7100	7000
Max. current		A	12	12.5
Compressor	Model		LNB42FSAMC	LNB42FSAMC
	Type		Rotary	Rotary
	Brand		MITSUBISHI	MITSUBISHI
	Capacity	Btu/h	47700	47700
	Input	W	4240	4270
	Rated current(RLA)	A	12	12
	Crankcase	W	25	25
	Refrigerant oil	ml	FV50S 1400ml	FV50S 1400ml
Outdoor fan motor	Model		WZDK100-38G	WZDK100-38G
	Type		DC motor	DC motor
	Brand		Panasonic	Panasonic
	Insulation class		E	E
	Safe class		IP23	IP23
	Input	W	2 x 100	2 x 100
	Output	W	2 x 85	2 x 85
	Rated current	A	2 x 0.9	2 x 0.9
	Capacitor	uF	/	/
	Speed	r/min	800	800

Sale Model			MDV-V160W/DRN1	MDV-V180W/DRN1
Code			220095102370	220095103410
Outdoor fan	Material		ASG20	ASG20
Outdoor fan	Type		Axial fan	Axial fan
	Diameter	mm	508	508
	Height	mm	170	170
Outdoor coil	Number of rows		2	2.5
	Tube pitch(a)x row pitch(b)	mm	25.4 x 22	22 x 19.05
	Fin spacing	mm	1.6	1.6
	Tube outside dia.and type	mm	Φ7.94	Φ7.94
			Inner groove tube	Inner groove tube
	Coil length x height	mm	1276 x 870	1276 x 870
Number of circuits		7	12	
Outdoor air flow		m ³ /h	6000	6800
Outdoor sound level(sound pressure level)		dB(A)	57	59
Outdoor unit	Dimension (W x H x D)	mm	900 x 1327 x 320	900 x 1327 x 320
	Packing (W x H x D)	mm	1030 x 1456 x 435	1030 x 1456 x 435
	Net/Gross weight	kg	102/113	107/118
Refrigerant	Type		R410A	R410A
	Charged volume	g	3900	4500
Throttle type			Electronic expansion valve	
Design pressure		MPa	4.4/2.6	4.4/2.6
Refrigerant piping	Liquid side/ Gas side	mm	Φ9.52/Φ19.1	Φ9.52/Φ19.1
	Max. refrigerant pipe length	m	100	100
	Max. difference in level	m	8	8
Connection wiring	Power wiring	mm ²	5 core x2.5	5 core x2.5
	Signal wiring	mm ²	3 core shielded wire x 0.75	3 core shielded wire x 0.75
Ambient temp		℃	(Cooling -15~48) (Heating -15~27)	(Cooling -15~48) (Heating -15~27)

Notes:

1. The cooling conditions: indoor temp.: 27°CDB (80.6°F), 19°CWB (60°F) outdoor temp.: 35°CDB (95°F) equivalent pipe length: 5m drop length: 0m.
2. The heating conditions: indoor temp.: 20°CDB (68°F), 15°CWB (44.6°F) outdoor temp.: 7°CDB (42.8°F) equivalent pipe length: 5m drop length: 0m.
3. Sound level: Anechoic chamber conversion value, measured at a point 1 m in front of the unit at a height of *m(0.9m for 80model, 1m for 105 model, 1.2m for 120~180 model). During actual operation, these values are normally somewhat higher as a result of ambient conditions.
4. The aboved datas may be changed without notice for future improvement on quality and performance.

2. Dimensions

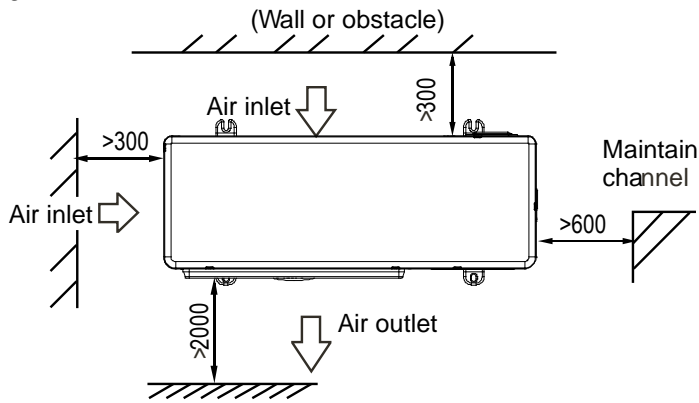


(unit: mm)

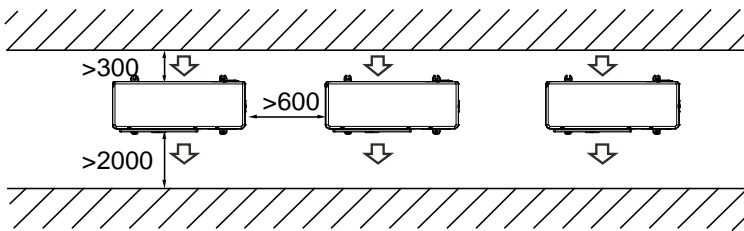
MODEL (kW)	A	B	C	D	E	F	G	H
12/14/ 16/18	900	600	348	320	400	360	—	1327

3. Service Space

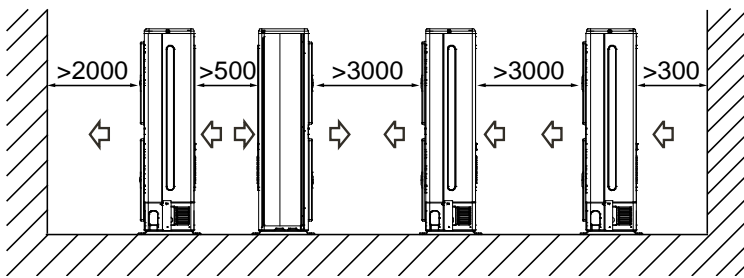
- Single unit installation



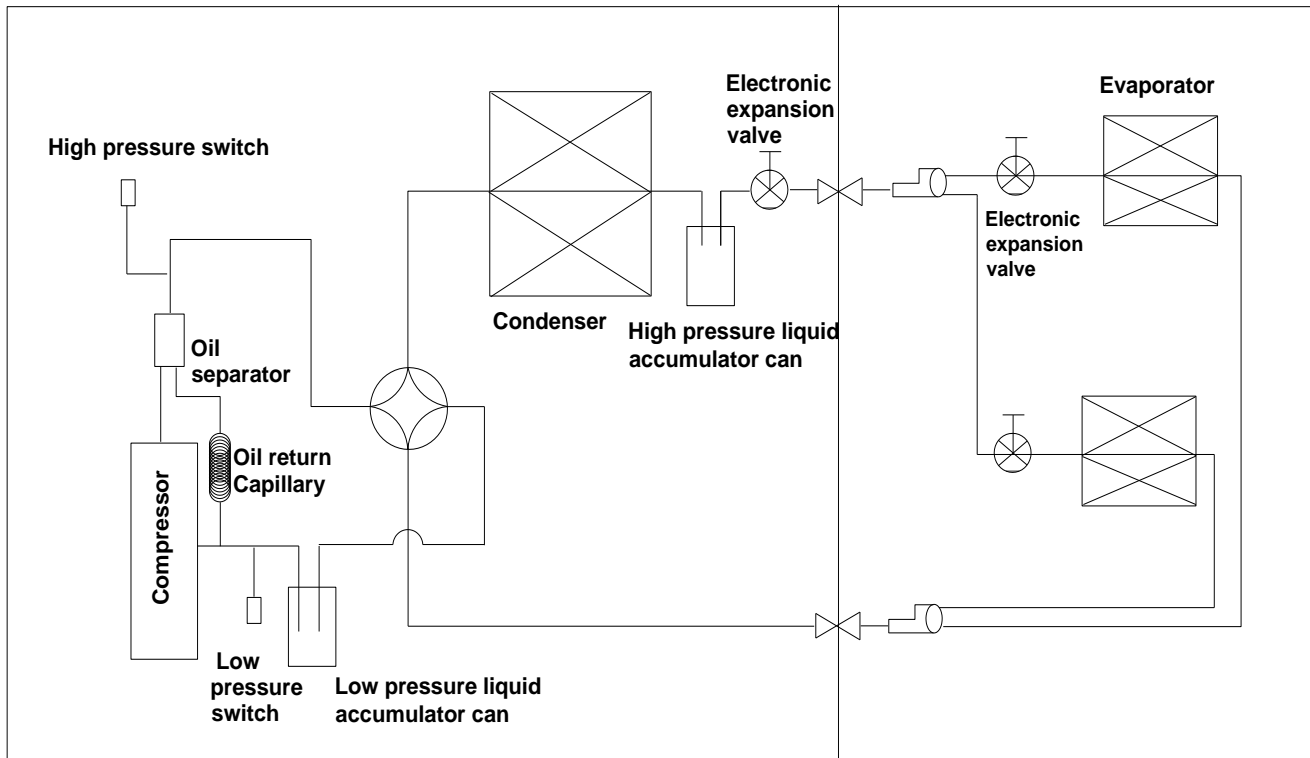
- Parallel connect the two units or above



- Parallel connect the front with rear sides



4. Piping Diagrams

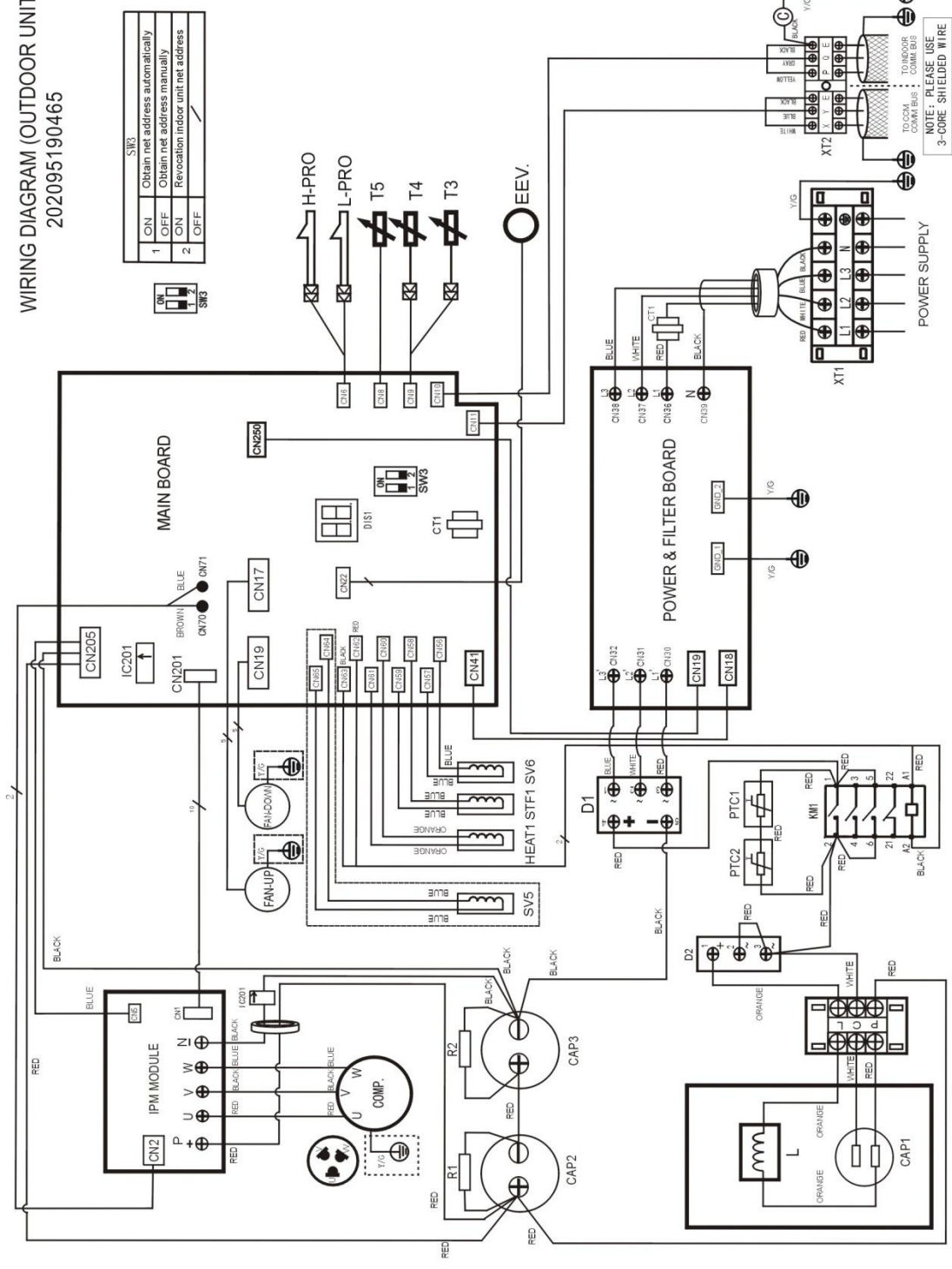


5.Wiring Diagrams (For 12-16kW)

WIRING DIAGRAM (OUTDOOR UNIT)
202095190465

CODE	PART NAME
COMP.	COMPRESSOR
CAP1-CAP3	CAPACITOR
CT1	AC CURRENT DETECTOR
IC201	DC CURRENT DETECTOR
EEV	ELECTRIC EXPANSIVE VALVE
FAN1, FAN2	OUTDOOR FAN MOTOR
HEAT1	CRANKCASE HEATING
H-PRO	HIGH PRESSURE SWITCH
L-PRO	LOW PRESSURE SWITCH
KM1	AC CONTACTOR
PTC1, PTC2	THERMAL RESISTOR
L	REACTOR
D1, D2	RECTIFIER
R1, R2	RESISTANCE
STF1	4-WAY VALVE
SV5	SINGLE WAY VALVE
SV6	SINGLE WAY VALVE
T3	PIPE TEMPERATURE SENSOR
T4	OUTDOOR TEMPERATURE SENSOR
T5	COMPRESSOR DISCHARGE TEMPERATURE SENSOR
XT1	5-WAY TERMINAL
XT2	6-WAY TERMINAL

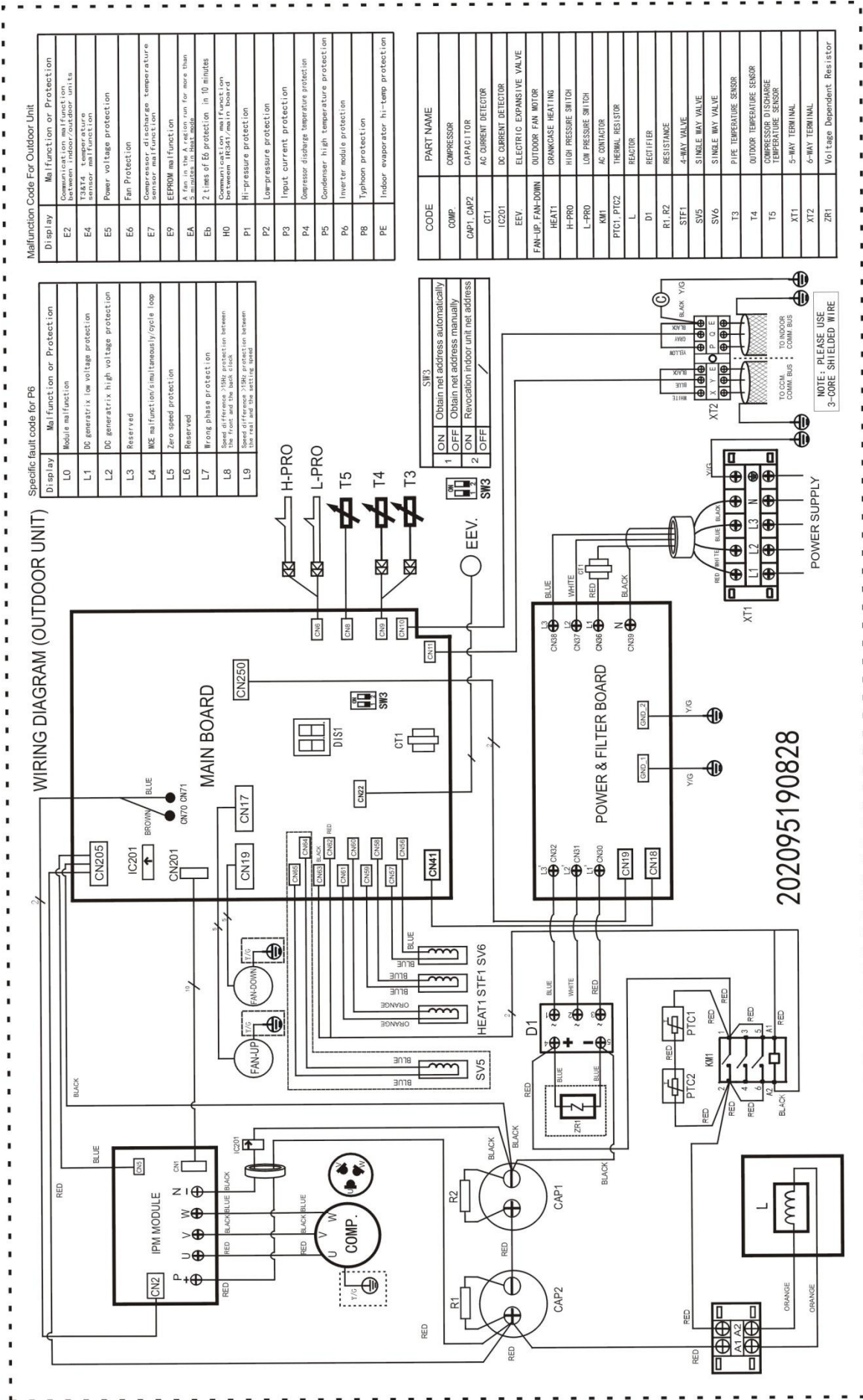
Display	Malfunction or Protection
H0	M_ Home unmatched
E0	EEPROM malfunction
E2	Communication malfunction between indoor/outdoor units
E3	Communication malfunction between IR341/outdoor units
E4	Outdoor unit temperature sensor malfunction
E5	Power voltage protection
E6	Fan Protection
E7	2 times of E6 protection in more than 6 minutes for 14.4°C/58°F
E8	2 times of E6 protection in 10 minutes
P1	High-pressure protection
P2	Low-pressure protection
P3	Input current protection
P4	Compressor discharge temperature protection
P5	Condenser high temperature protection
P6	Inverter media protection
P7	Indoor evaporator hi-temp protection
P8	Typhoon protection



SW2	1	2
ON	Obtain net address automatically	
OFF	Obtain net address manually	
ON	Revocation indoor unit net address	
OFF		

NOTE: PLEASE USE 3-CORE SHIELDED WIRE

For 18kW



Malfunction Code For Outdoor Unit

Display	Malfunction or Protection
E2	Communication malfunction (indoor unit, outdoor unit)
E4	Temperature sensor malfunction
E5	Power voltage protection
E6	Fan Protection
E7	Compressor discharge temperature sensor malfunction
E9	EEPROM malfunction
Ea	A fan in the A rest on for more than 5 minutes in back mode
Eb	2 times of Ea protection in 10 minutes
H0	Communication malfunction between indoor and outdoor
P1	Hi-pressure protection
P2	Low-pressure protection
P3	Input current protection
P4	Compressor discharge temperature protection
P5	Condenser high temperature protection
P6	Inverter module protection
P8	Typhoon protection
PE	Indoor evaporator hi-temp protection

CODE	PART NAME
COMP	COMPRESSOR
CAP1, CAP2	CAPACITOR
CT1	AC CURRENT DETECTOR
IC201	DC CURRENT DETECTOR
EEV	ELECTRIC EXPANSIVE VALVE
FAN-UP, FAN-DOWN	OUTDOOR FAN MOTOR
HEAT1	GRANKASE HEATING
H-PRO	HIGH PRESSURE SWITCH
L-PRO	LOW PRESSURE SWITCH
KM1	AC CONTACTOR
PTC1, PTC2	THERMAL RESISTOR
L	REACTOR
D1	RECTIFIER
R1, R2	RESISTANCE
STF1	4-WAY VALVE
SV5	SINGLE WAY VALVE
SV6	SINGLE WAY VALVE
T3	PIPE TEMPERATURE SENSOR
T4	OUTDOOR TEMPERATURE SENSOR
T5	COMPRESSOR DISCHARGE TEMPERATURE SENSOR
XT1	5-WAY TERMINAL
XT2	6-WAY TERMINAL
ZR1	Voltage Dependent Resistor

Specific fault code for P6

Display	Malfunction or Protection
L0	Module malfunction
L1	DC generator low voltage protection
L2	DC generator high voltage protection
L3	Reserved
L4	DC malfunction/simultaneously/cycle loop
L5	Zero speed protection
L6	Reserved
L7	Wrong phase protection
L8	Speed difference 15% protection between the front and the back clock
L9	Speed difference 15% protection between the rear and the actual speed

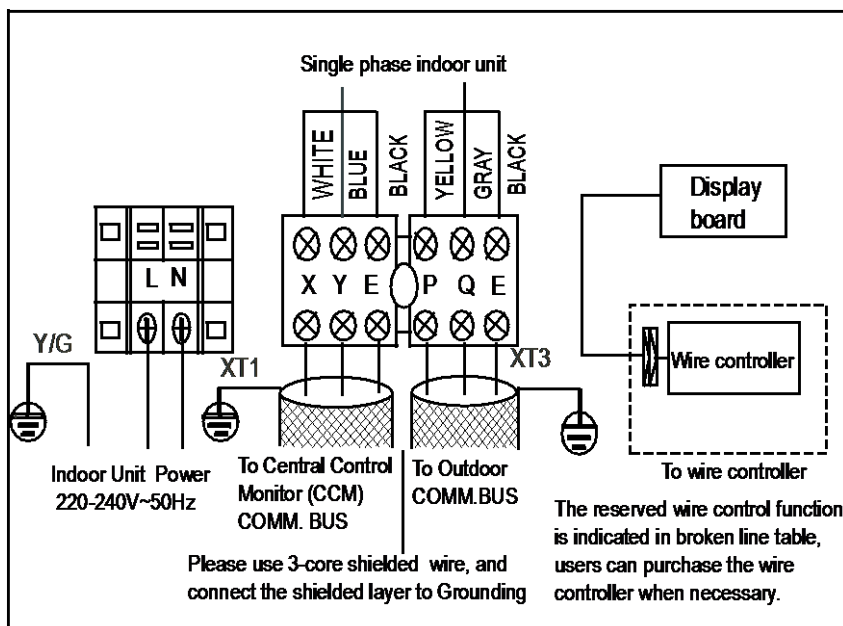
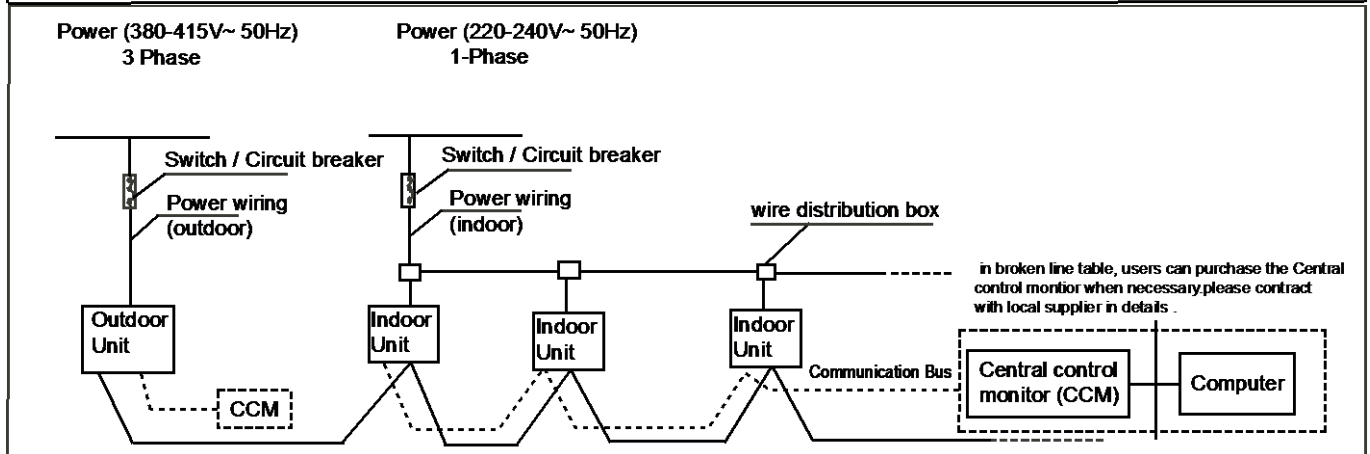
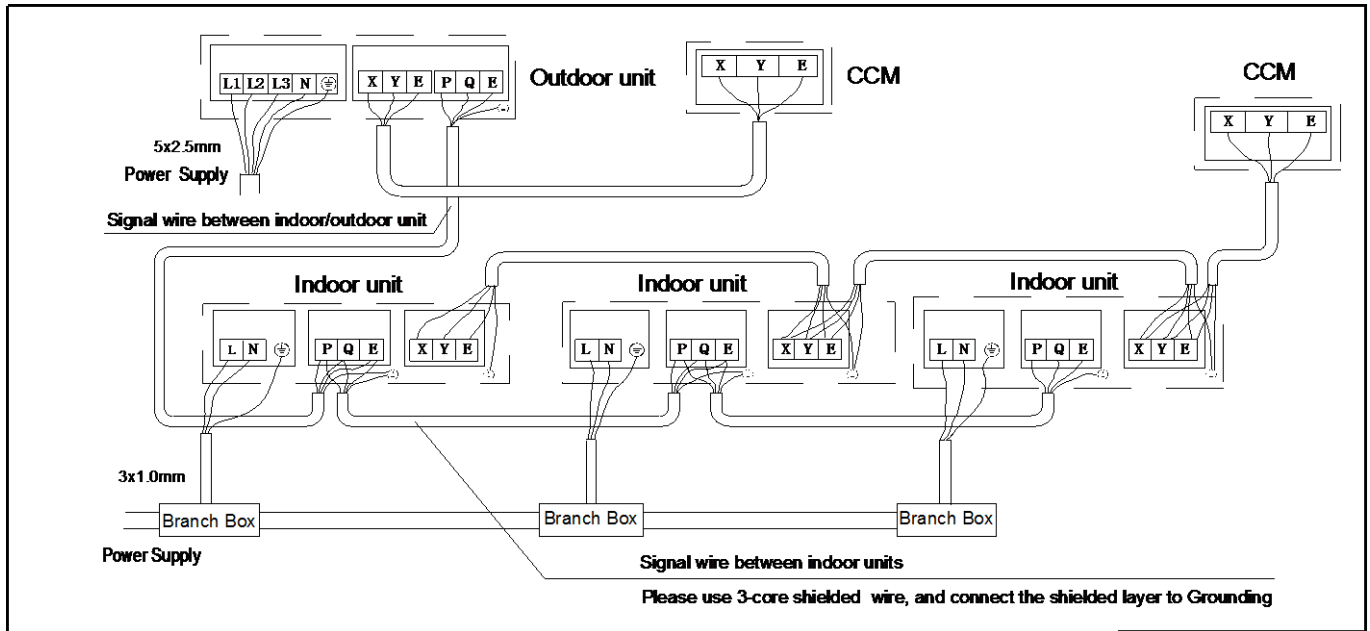
SW3

1	ON	Obtain net address automatically
1	OFF	Obtain net address manually
2	ON	Revocation indoor unit net address
2	OFF	

202095190828

NOTE: PLEASE USE 3-CORE SHIELDED WIRE

6. Field Wiring



7.Capacity Tables
MDV-V120W/DRN1
Cooling

Combinati on (%) (Capacity index)	Outdoor temperat ure (°C DB)	Indoor temperature(° C DB/WD)													
		DB:20.8,WB		DB:23.3,WB		DB:25.8,WB		DB:27,WB:1		DB:28.2,WB:2		DB:30.7,WB:		DB:32,WB:2	
		TC	PI	TC	PI	TC	PI	TC	PI	TC	PI	TC	PI	TC	PI
		kW	kW	kW	kW	kW	kW	kW	kW	kW	kW	kW	kW	kW	kW
130%	-5	10.54	1.33	12.56	1.62	14.57	1.74	15.13	1.81	15.86	1.86	16.24	2.02	16.65	2.04
	-2	10.54	1.33	12.56	1.65	14.57	1.74	15.13	1.82	15.86	1.86	16.24	2.05	16.65	2.06
	0	10.54	1.35	12.56	1.68	14.57	1.80	15.13	1.92	15.86	1.97	16.24	2.07	16.65	2.08
	2	10.54	1.38	12.56	1.69	14.57	1.86	15.13	2.03	15.86	1.99	16.24	2.09	16.65	2.11
	4	10.54	1.41	12.56	1.72	14.57	1.93	15.13	2.04	15.86	2.02	16.24	2.09	16.65	2.15
	6	10.54	1.43	12.56	1.75	14.57	2.00	15.13	2.05	15.68	2.08	16.04	2.09	16.47	2.17
	8	10.54	1.47	12.56	1.79	14.57	2.10	15.13	2.15	15.48	2.15	15.87	3.90	16.26	2.19
	10	10.54	1.50	12.56	1.83	14.57	2.18	15.13	2.23	15.30	4.04	15.69	4.06	16.07	2.25
	12	10.54	1.52	12.56	1.87	14.57	2.22	14.91	4.03	15.13	4.06	15.47	4.07	15.86	2.27
	14	10.54	1.56	12.56	1.90	14.53	4.05	14.74	4.06	14.91	4.08	15.30	4.09	15.69	2.32
	16	10.54	1.58	12.56	1.94	14.36	4.06	14.53	4.08	14.70	4.10	15.09	4.12	15.47	2.36
	18	10.54	1.61	12.56	1.98	14.14	2.32	14.31	2.33	14.53	2.35	14.91	2.37	15.30	2.39
	20	10.54	1.65	12.56	2.11	13.93	2.44	14.14	2.45	14.31	2.46	14.70	2.48	15.09	2.51
	21	10.54	1.69	12.56	2.18	13.84	2.49	14.06	2.51	14.23	2.52	14.61	2.55	15.00	2.57
	23	10.54	1.81	12.56	2.34	13.67	2.61	13.84	2.62	14.01	2.63	14.40	2.66	14.78	2.69
	25	10.54	1.94	12.56	2.51	13.46	2.72	13.63	2.73	13.84	2.75	14.23	2.78	14.61	2.80
	27	10.54	2.07	12.56	2.68	13.29	2.83	13.46	2.85	13.63	2.86	14.01	2.90	14.40	2.93
	29	10.54	2.21	12.56	2.86	13.07	2.95	13.24	2.97	13.46	2.98	13.84	3.01	14.23	3.04
	31	10.54	2.36	12.51	3.03	12.86	3.07	13.07	3.08	13.24	3.10	13.63	3.13	14.01	3.17
	33	10.54	2.51	12.30	3.15	12.69	3.18	12.86	3.20	13.07	3.22	13.46	3.25	13.80	3.29
35	10.54	2.68	12.09	3.26	12.47	3.30	12.69	3.32	12.86	3.33	13.24	3.37	13.63	3.41	
37	10.54	2.85	11.91	3.38	12.30	3.42	12.47	3.43	12.69	3.46	13.03	3.50	13.41	3.54	
39	10.54	3.03	11.70	3.41	12.09	3.53	12.30	3.55	12.47	3.57	12.86	3.61	13.24	3.66	
41	10.54	3.19	11.58	3.45	11.96	3.56	12.17	3.59	12.34	3.61	12.73	3.62	12.73	3.69	
43	10.54	3.27	11.49	3.46	11.89	3.57	12.11	3.60	12.22	3.61	12.50	3.63	12.58	3.70	
45	10.54	3.43	11.42	3.50	11.77	3.61	11.98	3.63	12.04	3.63	12.16	3.64	12.34	3.77	
48	10.54	3.56	11.83	3.61	12.83	3.64	13.07	3.66	13.17	3.67	13.11	3.70	13.35	3.71	
120%	-5	9.73	1.28	11.57	1.55	13.46	1.84	14.40	2.00	15.09	2.09	15.43	2.16	15.77	2.21
	-2	9.73	1.30	11.57	1.57	13.46	1.86	14.40	2.02	15.09	2.11	15.43	2.17	15.77	2.22
	0	9.73	1.31	11.57	1.58	13.46	1.88	14.40	2.02	15.09	2.13	15.43	2.19	15.77	2.23
	2	9.73	1.31	11.57	1.60	13.46	1.89	14.40	2.04	15.09	2.14	15.43	2.20	15.77	2.23
	4	9.73	1.32	11.57	1.62	13.46	1.92	14.40	2.06	15.09	2.17	15.43	2.21	15.77	2.24
	6	9.73	1.34	11.57	1.63	13.46	1.94	14.40	2.08	15.09	2.19	15.43	2.23	15.77	2.24
	8	9.73	1.35	11.57	1.65	13.46	1.97	14.40	2.11	15.09	2.22	15.43	2.23	15.77	2.25
	10	9.73	1.37	11.57	1.67	13.46	1.98	14.40	2.15	15.09	2.22	15.43	2.24	15.77	2.26
	12	9.73	1.39	11.57	1.70	13.46	2.02	14.40	2.19	14.87	2.23	15.21	2.23	15.56	2.28
	14	9.73	1.42	11.57	1.73	13.46	2.06	14.40	2.23	14.66	2.24	15.04	2.26	15.39	2.31
	16	9.73	1.45	11.57	1.77	13.46	2.10	14.31	4.10	14.49	2.27	14.83	2.30	15.17	2.34
	18	9.73	1.47	11.57	1.80	13.46	2.17	14.10	2.32	14.27	2.33	14.61	2.35	15.00	2.37
	20	9.73	1.50	11.57	1.87	13.46	2.34	13.93	2.44	14.10	2.44	14.44	2.47	14.79	2.49
	21	9.73	1.52	11.57	1.94	13.46	2.42	13.80	2.49	13.97	2.50	14.36	2.52	14.70	2.55
	23	9.73	1.62	11.57	2.08	13.46	2.59	13.63	2.60	13.80	2.62	14.14	2.64	14.49	2.66
	25	9.73	1.73	11.57	2.23	13.24	2.71	13.41	2.72	13.59	2.73	13.97	2.75	14.31	2.78
	27	9.73	1.85	11.57	2.38	13.07	2.82	13.24	2.83	13.41	2.85	13.76	2.87	14.10	2.90
	29	9.73	1.97	11.57	2.54	12.86	2.93	13.03	2.95	13.20	2.96	13.54	2.99	13.93	3.02
	31	9.73	2.10	11.57	2.71	12.64	3.05	12.86	3.06	13.03	3.08	13.37	3.11	13.71	3.14
	33	9.73	2.24	11.57	2.89	12.47	3.16	12.64	3.18	12.81	3.19	13.16	3.23	13.50	3.26
35	9.73	2.38	11.57	3.08	12.26	3.28	12.43	3.29	12.64	3.31	12.99	3.35	13.33	3.38	
37	9.73	2.54	11.57	3.28	12.09	3.39	12.26	3.41	12.43	3.43	12.77	3.46	13.11	3.50	
39	9.73	2.70	11.53	3.47	11.87	3.51	12.04	3.53	12.21	3.55	12.60	3.59	12.94	3.62	
41	9.73	2.77	11.44	3.49	11.78	3.53	11.95	3.56	12.12	3.57	12.51	3.60	12.57	3.65	
43	9.73	2.81	11.37	3.52	11.69	3.55	11.86	3.57	12.03	3.59	12.29	3.61	12.38	3.72	
45	9.73	2.85	11.31	3.55	11.57	3.59	11.73	3.60	11.92	3.61	12.04	3.62	12.25	3.80	
48	11.27	2.87	12.99	3.59	13.24	3.62	13.38	3.63	13.66	3.64	13.73	3.63	14.01	3.85	
110%	-5	8.91	1.12	10.63	1.39	12.34	1.66	13.20	1.79	14.06	1.92	15.13	2.00	15.47	2.06
	-2	8.91	1.14	10.63	1.41	12.34	1.68	13.20	1.80	14.06	1.94	15.13	2.02	15.47	2.07
	0	8.91	1.15	10.63	1.42	12.34	1.69	13.20	1.82	14.06	1.96	15.13	2.04	15.47	2.09

	2	8.91	1.18	10.63	1.43	12.34	1.72	13.20	1.84	14.06	1.98	15.13	2.07	15.47	2.12
	4	8.91	1.20	10.63	1.45	12.34	1.73	13.20	1.86	14.06	2.01	15.13	2.09	15.47	2.14
	6	8.91	1.21	10.63	1.47	12.34	1.75	13.20	1.89	14.06	2.03	15.13	2.12	15.47	2.17
	8	8.91	1.23	10.63	1.49	12.34	1.77	13.20	1.91	14.06	2.06	15.13	2.13	15.47	2.20
	10	8.91	1.24	10.63	1.51	12.34	1.80	13.20	1.94	14.06	2.09	15.13	2.15	15.47	2.21
	12	8.91	1.27	10.63	1.54	12.34	1.83	13.20	1.98	14.06	2.13	14.96	2.18	15.26	2.24
	14	8.91	1.29	10.63	1.57	12.34	1.87	13.20	2.01	14.06	2.17	14.74	2.19	15.09	2.26
	16	8.91	1.31	10.63	1.60	12.34	1.90	13.20	2.05	14.06	2.21	14.57	2.22	14.87	2.28
	18	8.91	1.34	10.63	1.63	12.34	1.94	13.20	2.11	14.06	2.32	14.36	2.33	14.70	2.36
	20	8.91	1.36	10.63	1.66	12.34	2.05	13.20	2.27	13.84	2.43	14.19	2.45	14.49	2.47
	21	8.91	1.38	10.63	1.71	12.34	2.13	13.20	2.35	13.76	2.49	14.06	2.51	14.40	2.53
	23	8.91	1.44	10.63	1.84	12.34	2.28	13.20	2.52	13.54	2.60	13.89	2.62	14.19	2.65
	25	8.91	1.54	10.63	1.96	12.34	2.44	13.20	2.70	13.37	2.71	13.67	2.74	14.01	2.76
	27	8.91	1.64	10.63	2.10	12.34	2.61	12.99	2.82	13.16	2.83	13.50	2.85	13.80	2.88
	29	8.91	1.75	10.63	2.24	12.34	2.79	12.81	2.93	12.99	2.94	13.29	2.97	13.63	3.00
	31	8.91	1.86	10.63	2.39	12.34	2.98	12.60	3.04	12.77	3.06	13.12	3.08	13.41	3.11
	33	8.91	1.98	10.63	2.55	12.26	3.14	12.43	3.16	12.60	3.17	12.90	3.20	13.24	3.23
	35	8.91	2.11	10.63	2.71	12.04	3.25	12.21	3.27	12.39	3.29	12.69	3.32	13.03	3.35
	37	8.91	2.24	10.63	2.89	11.87	3.37	12.04	3.39	12.17	3.40	12.52	3.44	12.81	3.47
	39	8.91	2.38	10.63	3.08	11.66	3.49	11.83	3.50	12.00	3.52	12.30	3.56	12.64	3.59
	41	8.91	2.41	10.63	3.10	11.57	3.51	11.74	3.53	11.91	3.55	12.14	3.58	12.26	3.62
	43	8.91	2.43	10.63	3.14	11.47	3.54	11.65	3.55	11.82	3.57	12.04	3.59	12.07	3.69
	45	8.91	2.51	10.63	3.16	11.36	3.57	11.52	3.60	11.71	3.60	11.91	3.69	11.96	3.78
	48	9.76	2.60	11.64	3.42	12.26	3.59	12.42	3.62	12.68	3.64	12.83	3.71	12.93	3.82
100%	-5	8.10	1.02	9.64	1.23	11.23	1.46	12.00	1.57	12.77	1.70	14.36	1.94	15.17	2.02
	-2	8.10	1.03	9.64	1.24	11.23	1.48	12.00	1.60	12.77	1.72	14.36	1.96	15.17	2.03
	0	8.10	1.04	9.64	1.26	11.23	1.50	12.00	1.62	12.77	1.74	14.36	1.99	15.17	2.06
	2	8.10	1.06	9.64	1.27	11.23	1.51	12.00	1.64	12.77	1.76	14.36	2.02	15.17	2.09
	4	8.10	1.07	9.64	1.29	11.23	1.53	12.00	1.66	12.77	1.78	14.36	2.04	15.17	2.11
	6	8.10	1.09	9.64	1.31	11.23	1.55	12.00	1.69	12.77	1.81	14.36	2.07	15.17	2.15
	8	8.10	1.11	9.64	1.33	11.23	1.58	12.00	1.71	12.77	1.84	14.36	2.10	15.17	2.18
	10	8.10	1.12	9.64	1.36	11.23	1.61	12.00	1.74	12.77	1.87	14.36	2.14	15.17	2.21
	12	8.10	1.14	9.64	1.38	11.23	1.64	12.00	1.77	12.77	1.91	14.36	2.18	14.96	2.23
	14	8.10	1.16	9.64	1.41	11.23	1.67	12.00	1.80	12.77	1.94	14.36	2.22	14.79	2.26
	16	8.10	1.18	9.64	1.44	11.23	1.70	12.00	1.84	12.77	1.98	14.27	2.25	14.57	2.28
	18	8.10	1.20	9.64	1.46	11.23	1.73	12.00	1.87	12.77	2.02	14.10	2.32	14.40	2.34
	20	8.10	1.23	9.64	1.49	11.23	1.79	12.00	1.97	12.77	2.16	13.89	2.43	14.19	2.45
	21	8.10	1.24	9.64	1.51	11.23	1.85	12.00	2.04	12.77	2.24	13.80	2.49	14.10	2.51
	23	8.10	1.27	9.64	1.61	11.23	1.98	12.00	2.19	12.77	2.40	13.63	2.60	13.89	2.62
	25	8.10	1.35	9.64	1.72	11.23	2.12	12.00	2.34	12.77	2.57	13.41	2.72	13.71	2.74
	27	8.10	1.45	9.64	1.83	11.23	2.27	12.00	2.51	12.77	2.75	13.20	2.83	13.50	2.86
	29	8.10	1.54	9.64	1.95	11.23	2.42	12.00	2.68	12.73	2.92	13.03	2.95	13.33	2.97
	31	8.10	1.64	9.64	2.08	11.23	2.58	12.00	2.86	12.56	3.04	12.81	3.06	13.11	3.09
	33	8.10	1.74	9.64	2.22	11.23	2.76	12.00	3.05	12.34	3.15	12.64	3.18	12.94	3.21
35	8.10	1.85	9.64	2.36	11.23	2.94	12.00	3.25	12.13	3.26	12.43	3.29	12.73	3.32	
37	8.10	1.97	9.64	2.51	11.23	3.13	11.78	3.36	11.96	3.38	12.26	3.41	12.51	3.44	
39	8.10	2.09	9.64	2.67	11.23	3.33	11.61	3.48	11.74	3.50	12.04	3.53	12.34	3.56	
41	8.10	2.19	9.64	2.77	11.23	3.46	11.43	3.50	11.65	3.55	11.83	3.61	12.16	3.63	
43	8.10	2.28	9.64	2.87	11.23	3.52	11.25	3.54	11.57	3.58	11.90	3.63	11.95	3.67	
45	8.10	2.41	9.64	3.00	11.23	3.58	11.01	3.59	11.51	3.65	11.80	3.69	11.71	3.72	
48	8.39	2.52	9.99	3.10	11.63	3.58	10.94	3.63	11.90	3.71	11.48	3.73	11.86	3.76	
90%	-5	7.29	0.90	8.70	1.08	10.11	1.28	10.80	1.39	11.49	1.48	12.90	1.70	14.31	1.95
	-2	7.29	0.91	8.70	1.09	10.11	1.29	10.80	1.41	11.49	1.50	12.90	1.72	14.31	1.97
	0	7.29	0.92	8.70	1.11	10.11	1.31	10.80	1.43	11.49	1.52	12.90	1.74	14.31	1.99
	2	7.29	0.94	8.70	1.12	10.11	1.33	10.80	1.45	11.49	1.54	12.90	1.78	14.31	2.02
	4	7.29	0.95	8.70	1.14	10.11	1.35	10.80	1.47	11.49	1.56	12.90	1.80	14.31	2.05
	6	7.29	0.97	8.70	1.16	10.11	1.37	10.80	1.50	11.49	1.59	12.90	1.83	14.31	2.08
	8	7.29	0.98	8.70	1.18	10.11	1.40	10.80	1.52	11.49	1.62	12.90	1.87	14.31	2.10
	10	7.29	1.00	8.70	1.21	10.11	1.43	10.80	1.54	11.49	1.66	12.90	1.89	14.31	2.13
	12	7.29	1.02	8.70	1.23	10.11	1.45	10.80	1.57	11.49	1.69	12.90	1.93	14.31	2.17
	14	7.29	1.04	8.70	1.25	10.11	1.48	10.80	1.60	11.49	1.72	12.90	1.96	14.31	2.21
	16	7.29	1.06	8.70	1.27	10.11	1.51	10.80	1.63	11.49	1.75	12.90	2.00	14.27	2.25
18	7.29	1.07	8.70	1.30	10.11	1.54	10.80	1.66	11.49	1.79	12.90	2.04	14.10	2.32	
20	7.29	1.09	8.70	1.33	10.11	1.57	10.80	1.69	11.49	1.85	12.90	2.19	13.89	2.43	

	21	7.29	1.10	8.70	1.34	10.11	1.59	10.80	1.75	11.49	1.92	12.90	2.27	13.80	2.49
	23	7.29	1.13	8.70	1.39	10.11	1.71	10.80	1.88	11.49	2.06	12.90	2.44	13.59	2.60
	25	7.29	1.19	8.70	1.49	10.11	1.83	10.80	2.01	11.49	2.20	12.90	2.61	13.41	2.72
	27	7.29	1.26	8.70	1.59	10.11	1.95	10.80	2.15	11.49	2.35	12.90	2.79	13.20	2.83
	29	7.29	1.34	8.70	1.69	10.11	2.08	10.80	2.29	11.49	2.51	12.77	2.92	13.03	2.94
	31	7.29	1.43	8.70	1.80	10.11	2.22	10.80	2.44	11.49	2.68	12.56	3.04	12.81	3.06
	33	7.29	1.52	8.70	1.91	10.11	2.37	10.80	2.61	11.49	2.86	12.39	3.15	12.64	3.18
	35	7.29	1.61	8.70	2.04	10.11	2.52	10.80	2.78	11.49	3.05	12.17	3.27	12.43	3.29
	37	7.29	1.71	8.70	2.16	10.11	2.68	10.80	2.96	11.49	3.25	11.96	3.38	12.26	3.41
	39	7.29	1.81	8.70	2.30	10.11	2.85	10.80	3.15	11.49	3.46	11.79	3.50	12.04	3.53
	41	7.29	1.88	8.70	2.41	10.11	2.96	10.80	3.23	11.49	3.48	11.70	3.59	11.96	3.61
	43	7.29	1.97	8.70	2.51	10.11	3.06	10.80	3.32	11.49	3.56	11.64	3.64	11.86	3.66
	45	7.29	2.09	8.70	2.64	10.11	3.18	10.80	3.43	11.49	3.65	11.58	3.67	11.68	3.71
	48	7.29	2.21	8.70	2.76	10.11	3.30	10.80	3.47	11.49	3.69	12.76	3.72	12.62	3.76
80%	-5	6.47	0.80	7.71	0.94	8.96	1.11	9.60	1.18	10.24	1.27	11.49	1.47	12.73	1.68
	-2	6.47	0.81	7.71	0.95	8.96	1.12	9.60	1.20	10.24	1.29	11.49	1.49	12.73	1.70
	0	6.47	0.82	7.71	0.96	8.96	1.14	9.60	1.22	10.24	1.31	11.49	1.51	12.73	1.72
	2	6.47	0.84	7.71	0.98	8.96	1.15	9.60	1.24	10.24	1.33	11.49	1.54	12.73	1.75
	4	6.47	0.85	7.71	0.99	8.96	1.17	9.60	1.27	10.24	1.36	11.49	1.57	12.73	1.78
	6	6.47	0.87	7.71	1.02	8.96	1.19	9.60	1.30	10.24	1.38	11.49	1.59	12.73	1.81
	8	6.47	0.88	7.71	1.04	8.96	1.22	9.60	1.32	10.24	1.41	11.49	1.61	12.73	1.84
	10	6.47	0.89	7.71	1.06	8.96	1.25	9.60	1.35	10.24	1.45	11.49	1.65	12.73	1.86
	12	6.47	0.90	7.71	1.08	8.96	1.27	9.60	1.38	10.24	1.48	11.49	1.68	12.73	1.90
	14	6.47	0.92	7.71	1.10	8.96	1.30	9.60	1.40	10.24	1.50	11.49	1.71	12.73	1.93
	16	6.47	0.93	7.71	1.12	8.96	1.32	9.60	1.42	10.24	1.53	11.49	1.75	12.73	1.97
	18	6.47	0.95	7.71	1.14	8.96	1.35	9.60	1.45	10.24	1.56	11.49	1.78	12.73	2.01
	20	6.47	0.97	7.71	1.17	8.96	1.38	9.60	1.48	10.24	1.59	11.49	1.85	12.73	2.15
	21	6.47	0.98	7.71	1.17	8.96	1.39	9.60	1.50	10.24	1.63	11.49	1.91	12.73	2.23
	23	6.47	0.99	7.71	1.20	8.96	1.45	9.60	1.59	10.24	1.74	11.49	2.05	12.73	2.39
	25	6.47	1.02	7.71	1.27	8.96	1.55	9.60	1.70	10.24	1.86	11.49	2.19	12.73	2.55
	27	6.47	1.09	7.71	1.36	8.96	1.66	9.60	1.82	10.24	1.98	11.49	2.34	12.73	2.73
	29	6.47	1.16	7.71	1.45	8.96	1.77	9.60	1.94	10.24	2.12	11.49	2.50	12.73	2.92
	31	6.47	1.23	7.71	1.54	8.96	1.88	9.60	2.06	10.24	2.26	11.49	2.67	12.51	3.04
	33	6.47	1.31	7.71	1.63	8.96	2.00	9.60	2.20	10.24	2.40	11.49	2.85	12.34	3.15
35	6.47	1.39	7.71	1.74	8.96	2.13	9.60	2.34	10.24	2.56	11.49	3.04	12.13	3.26	
37	6.47	1.47	7.71	1.84	8.96	2.26	9.60	2.49	10.24	2.73	11.49	3.24	11.96	3.38	
39	6.47	1.56	7.71	1.97	8.96	2.41	9.60	2.65	10.24	2.90	11.49	3.45	11.74	3.50	
41	6.47	1.59	7.71	1.98	8.96	2.44	9.60	2.72	10.24	2.96	11.49	3.53	11.67	3.56	
43	6.47	1.64	7.71	2.00	8.96	2.48	9.60	2.77	10.24	3.00	11.49	3.58	11.60	3.59	
45	6.47	1.69	7.71	2.03	8.96	2.53	9.60	2.83	10.24	3.05	11.49	3.62	11.45	3.65	
48	6.47	1.74	7.71	2.04	10.08	2.57	9.60	2.86	10.24	3.08	11.49	3.65	12.78	3.70	
70%	-5	5.66	0.71	6.77	0.83	7.84	0.94	8.40	1.01	8.96	1.08	10.03	1.23	11.14	1.42
	-2	5.66	0.72	6.77	0.84	7.84	0.95	8.40	1.03	8.96	1.10	10.03	1.25	11.14	1.44
	0	5.66	0.72	6.77	0.85	7.84	0.97	8.40	1.05	8.96	1.12	10.03	1.28	11.14	1.46
	2	5.66	0.72	6.77	0.85	7.84	0.98	8.40	1.07	8.96	1.14	10.03	1.31	11.14	1.48
	4	5.66	0.73	6.77	0.87	7.84	1.01	8.40	1.09	8.96	1.16	10.03	1.33	11.14	1.52
	6	5.66	0.74	6.77	0.89	7.84	1.03	8.40	1.12	8.96	1.19	10.03	1.35	11.14	1.55
	8	5.66	0.76	6.77	0.91	7.84	1.05	8.40	1.14	8.96	1.22	10.03	1.39	11.14	1.58
	10	5.66	0.77	6.77	0.93	7.84	1.08	8.40	1.17	8.96	1.25	10.03	1.42	11.14	1.59
	12	5.66	0.79	6.77	0.94	7.84	1.10	8.40	1.19	8.96	1.27	10.03	1.45	11.14	1.63
	14	5.66	0.81	6.77	0.96	7.84	1.12	8.40	1.20	8.96	1.29	10.03	1.47	11.14	1.66
	16	5.66	0.82	6.77	0.98	7.84	1.14	8.40	1.23	8.96	1.32	10.03	1.50	11.14	1.69
	18	5.66	0.83	6.77	0.99	7.84	1.17	8.40	1.25	8.96	1.34	10.03	1.53	11.14	1.72
	20	5.66	0.85	6.77	1.01	7.84	1.19	8.40	1.27	8.96	1.37	10.03	1.56	11.14	1.77
	21	5.66	0.85	6.77	1.02	7.84	1.20	8.40	1.29	8.96	1.38	10.03	1.58	11.14	1.83
	23	5.66	0.87	6.77	1.04	7.84	1.22	8.40	1.33	8.96	1.45	10.03	1.70	11.14	1.96
	25	5.66	0.88	6.77	1.08	7.84	1.30	8.40	1.42	8.96	1.55	10.03	1.81	11.14	2.10
	27	5.66	0.94	6.77	1.15	7.84	1.39	8.40	1.52	8.96	1.65	10.03	1.94	11.14	2.24
	29	5.66	0.99	6.77	1.22	7.84	1.48	8.40	1.62	8.96	1.76	10.03	2.06	11.14	2.40
	31	5.66	1.05	6.77	1.30	7.84	1.57	8.40	1.72	8.96	1.87	10.03	2.20	11.14	2.55
	33	5.66	1.12	6.77	1.38	7.84	1.67	8.40	1.83	8.96	1.99	10.03	2.34	11.14	2.72
35	5.66	1.18	6.77	1.46	7.84	1.77	8.40	1.94	8.96	2.12	10.03	2.50	11.14	2.90	
37	5.66	1.25	6.77	1.55	7.84	1.89	8.40	2.06	8.96	2.26	10.03	2.66	11.14	3.09	
39	5.66	1.32	6.77	1.64	7.84	2.00	8.40	2.19	8.96	2.40	10.03	2.83	11.14	3.29	
41	5.66	1.38	6.77	1.70	7.84	2.06	8.40	2.27	8.96	2.47	10.03	2.94	11.14	3.44	

	43	5.66	1.49	6.77	1.82	7.84	2.14	8.40	2.39	8.96	2.54	10.03	3.05	11.14	3.55
	45	5.66	1.53	6.77	1.86	7.84	2.19	8.40	2.43	8.96	2.67	10.03	3.21	11.14	3.68
	48	5.66	1.57	6.77	1.87	7.84	2.21	8.40	2.47	8.96	2.74	10.03	3.36	11.14	3.77
60%	-5	4.84	0.61	5.79	0.70	6.73	0.82	7.20	0.87	7.67	0.94	8.61	1.06	9.56	1.21
	-2	4.84	0.61	5.79	0.71	6.73	0.83	7.20	0.88	7.67	0.95	8.61	1.07	9.56	1.22
	0	4.84	0.62	5.79	0.72	6.73	0.84	7.20	0.90	7.67	0.97	8.61	1.09	9.56	1.24
	2	4.84	0.63	5.79	0.74	6.73	0.86	7.20	0.91	7.67	0.98	8.61	1.11	9.56	1.25
	4	4.84	0.65	5.79	0.75	6.73	0.88	7.20	0.92	7.67	0.99	8.61	1.13	9.56	1.27
	6	4.84	0.65	5.79	0.77	6.73	0.89	7.20	0.94	7.67	1.01	8.61	1.15	9.56	1.30
	8	4.84	0.67	5.79	0.78	6.73	0.91	7.20	0.96	7.67	1.04	8.61	1.17	9.56	1.32
	10	4.84	0.68	5.79	0.80	6.73	0.92	7.20	0.99	7.67	1.06	8.61	1.20	9.56	1.34
	12	4.84	0.69	5.79	0.81	6.73	0.94	7.20	1.01	7.67	1.07	8.61	1.22	9.56	1.36
	14	4.84	0.70	5.79	0.82	6.73	0.95	7.20	1.02	7.67	1.09	8.61	1.24	9.56	1.39
	16	4.84	0.71	5.79	0.84	6.73	0.97	7.20	1.04	7.67	1.11	8.61	1.26	9.56	1.41
	18	4.84	0.72	5.79	0.85	6.73	0.99	7.20	1.06	7.67	1.13	8.61	1.28	9.56	1.44
	20	4.84	0.73	5.79	0.87	6.73	1.01	7.20	1.08	7.67	1.16	8.61	1.31	9.56	1.47
	21	4.84	0.74	5.79	0.87	6.73	1.02	7.20	1.09	7.67	1.16	8.61	1.32	9.56	1.48
	23	4.84	0.75	5.79	0.89	6.73	1.03	7.20	1.11	7.67	1.19	8.61	1.38	9.56	1.58
	25	4.84	0.76	5.79	0.90	6.73	1.07	7.20	1.16	7.67	1.26	8.61	1.47	9.56	1.69
	27	4.84	0.79	5.79	0.96	6.73	1.14	7.20	1.24	7.67	1.34	8.61	1.56	9.56	1.80
	29	4.84	0.84	5.79	1.02	6.73	1.22	7.20	1.32	7.67	1.43	8.61	1.67	9.56	1.92
	31	4.84	0.89	5.79	1.08	6.73	1.29	7.20	1.41	7.67	1.52	8.61	1.77	9.56	2.05
	33	4.84	0.94	5.79	1.14	6.73	1.37	7.20	1.49	7.67	1.62	8.61	1.89	9.56	2.18
35	4.84	0.99	5.79	1.21	6.73	1.45	7.20	1.59	7.67	1.72	8.61	2.01	9.56	2.32	
37	4.84	1.05	5.79	1.28	6.73	1.54	7.20	1.68	7.67	1.83	8.61	2.14	9.56	2.47	
39	4.84	1.11	5.79	1.36	6.73	1.63	7.20	1.78	7.67	1.94	8.61	2.27	9.56	2.63	
41	4.84	1.14	5.79	1.42	6.73	1.69	7.20	1.85	7.67	2.01	8.61	2.38	9.56	2.75	
43	4.84	1.18	5.79	1.48	6.73	1.75	7.20	1.91	7.67	2.08	8.61	2.48	9.56	2.87	
45	4.84	1.23	5.79	1.55	6.73	1.82	7.20	1.98	7.67	2.18	8.61	2.59	9.56	3.02	
48	4.84	1.28	5.79	1.62	6.73	1.89	7.20	2.03	7.67	2.27	8.61	2.68	9.56	3.17	
50%	-5	4.05	0.53	4.84	0.61	5.61	0.70	6.00	0.73	6.39	0.77	7.16	0.88	7.97	0.95
	-2	4.05	0.53	4.84	0.62	5.61	0.71	6.00	0.74	6.39	0.79	7.16	0.89	7.97	0.96
	0	4.05	0.54	4.84	0.63	5.61	0.72	6.00	0.75	6.39	0.79	7.16	0.90	7.97	0.98
	2	4.05	0.55	4.84	0.64	5.61	0.73	6.00	0.76	6.39	0.81	7.16	0.91	7.97	0.99
	4	4.05	0.55	4.84	0.65	5.61	0.74	6.00	0.77	6.39	0.82	7.16	0.93	7.97	1.02
	6	4.05	0.56	4.84	0.66	5.61	0.75	6.00	0.79	6.39	0.84	7.16	0.95	7.97	1.05
	8	4.05	0.58	4.84	0.67	5.61	0.76	6.00	0.81	6.39	0.85	7.16	0.96	7.97	1.08
	10	4.05	0.59	4.84	0.68	5.61	0.78	6.00	0.82	6.39	0.88	7.16	0.99	7.97	1.10
	12	4.05	0.59	4.84	0.69	5.61	0.79	6.00	0.84	6.39	0.89	7.16	1.00	7.97	1.12
	14	4.05	0.60	4.84	0.70	5.61	0.80	6.00	0.85	6.39	0.91	7.16	1.02	7.97	1.14
	16	4.05	0.61	4.84	0.71	5.61	0.81	6.00	0.87	6.39	0.92	7.16	1.04	7.97	1.16
	18	4.05	0.62	4.84	0.72	5.61	0.82	6.00	0.88	6.39	0.94	7.16	1.06	7.97	1.18
	20	4.05	0.63	4.84	0.73	5.61	0.84	6.00	0.89	6.39	0.95	7.16	1.07	7.97	1.20
	21	4.05	0.63	4.84	0.74	5.61	0.85	6.00	0.90	6.39	0.96	7.16	1.09	7.97	1.21
	23	4.05	0.64	4.84	0.74	5.61	0.86	6.00	0.92	6.39	0.98	7.16	1.10	7.97	1.24
	25	4.05	0.65	4.84	0.76	5.61	0.88	6.00	0.94	6.39	1.01	7.16	1.16	7.97	1.32
	27	4.05	0.66	4.84	0.79	5.61	0.92	6.00	1.00	6.39	1.07	7.16	1.24	7.97	1.41
	29	4.05	0.70	4.84	0.83	5.61	0.98	6.00	1.06	6.39	1.14	7.16	1.31	7.97	1.50
	31	4.05	0.74	4.84	0.88	5.61	1.04	6.00	1.13	6.39	1.21	7.16	1.40	7.97	1.60
	33	4.05	0.78	4.84	0.93	5.61	1.10	6.00	1.19	6.39	1.29	7.16	1.48	7.97	1.70
35	4.05	0.82	4.84	0.99	5.61	1.16	6.00	1.26	6.39	1.36	7.16	1.58	7.97	1.80	
37	4.05	0.87	4.84	1.04	5.61	1.24	6.00	1.34	6.39	1.45	7.16	1.67	7.97	1.92	
39	4.05	0.92	4.84	1.10	5.61	1.31	6.00	1.41	6.39	1.53	7.16	1.77	7.97	2.04	
41	4.05	0.95	4.84	1.15	5.61	1.35	6.00	1.48	6.39	1.60	7.16	1.87	7.97	2.13	
43	4.05	1.02	4.84	1.23	5.61	1.40	6.00	1.55	6.39	1.64	7.16	1.96	7.97	2.23	
45	4.05	1.04	4.84	1.26	5.61	1.49	6.00	1.67	6.39	1.71	7.16	2.15	7.97	2.41	
48	4.05	1.06	4.84	1.29	5.61	1.58	6.00	1.77	6.39	1.79	7.16	2.33	7.97	2.60	

Note:

- 1, [redacted] is tested under our standard condition.
- 2, In cooling mode, avoid the outdoor air temperature range from 42-46 degree C, when selecting the models.
- 3, The above table shows the average value of conditions may operate.
- 4, It is recommended to connect less than 130%.

Heating

Combination (%) (Capacity index)	Outdoor Air temperature (°C DB)		Indoor temperature(°C WB)											
			16		18		20		21		22		24	
	°C DB	°C WB	TC	PI	TC	PI	TC	PI	TC	PI	TC	PI	TC	PI
130%	-19.8	-20	8.55	2.45	8.51	2.62	8.47	2.80	8.47	2.88	8.42	2.97	8.42	3.15
	-18.8	-19	8.67	2.51	8.63	2.68	8.63	2.85	8.59	2.93	8.59	3.01	8.55	3.19
	-16.7	-17	9.01	2.62	8.97	2.79	8.92	2.95	8.92	3.03	8.92	3.11	8.88	3.28
	-13.7	-15	9.39	2.74	9.35	2.90	9.30	3.06	9.30	3.14	9.26	3.22	9.26	3.38
	-11.8	-13	9.76	2.87	9.76	3.02	9.72	3.17	9.68	3.24	9.68	3.32	9.64	3.47
	-9.8	-11	10.23	2.99	10.18	3.14	10.14	3.28	10.14	3.35	10.14	3.42	10.10	3.57
	-9.5	-10	10.48	3.06	10.43	3.20	10.39	3.33	10.39	3.41	10.35	3.47	10.35	3.61
	-8.5	-9.1	10.68	3.11	10.64	3.24	10.64	3.38	10.60	3.45	10.60	3.52	10.56	3.66
	-7	-7.6	11.06	3.20	11.06	3.33	11.02	3.47	11.02	3.53	10.98	3.60	10.94	3.73
	-5	-5.6	11.65	3.32	11.61	3.45	11.56	3.57	11.56	3.64	11.52	3.70	11.52	3.82
	-3	-3.7	12.19	3.43	12.15	3.55	12.15	3.67	12.11	3.73	12.11	3.79	12.07	3.91
	0	-0.7	13.16	3.60	13.16	3.71	13.12	3.82	13.12	3.86	13.07	3.93	13.07	4.04
	3	2.2	14.20	3.74	14.16	3.85	14.12	3.95	14.12	4.00	14.12	4.06	14.08	4.16
	5	4.1	14.92	3.84	14.88	3.94	14.88	4.03	14.83	4.08	14.83	4.13	14.79	4.23
	7	6	15.67	3.93	15.63	4.02	15.63	4.11	15.59	4.16	15.59	4.20	14.96	4.04
	120%	-19.8	-20	8.51	2.69	8.46	2.84	8.42	3.01	8.42	3.08	8.42	3.16	8.38
-18.8		-19	8.63	2.74	8.59	2.89	8.59	3.05	8.55	3.13	8.55	3.21	8.51	3.37
-16.7		-17	8.97	2.84	8.93	3.00	8.87	3.15	8.88	3.22	8.88	3.30	8.84	3.45
-13.7		-15	9.35	2.96	9.30	3.10	9.26	3.24	9.26	3.32	9.26	3.39	9.22	3.54
-11.8		-13	9.72	3.07	9.72	3.21	9.68	3.35	9.68	3.42	9.64	3.49	9.64	3.63
-9.8		-11	10.18	3.19	10.14	3.32	10.14	3.45	10.10	3.52	10.10	3.58	10.06	3.72
-9.5		-10	10.44	3.24	10.39	3.38	10.35	3.50	10.35	3.57	10.35	3.63	10.31	3.76
-8.5		-9.1	10.64	3.29	10.60	3.42	10.60	3.55	10.56	3.61	10.56	3.68	10.52	3.80
-7		-7.6	11.02	3.38	11.02	3.50	10.98	3.62	10.98	3.69	10.94	3.75	10.94	3.87
-5		-5.6	11.61	3.49	11.57	3.61	11.52	3.72	11.52	3.78	11.52	3.84	11.48	3.95
-3		-3.7	12.15	3.59	12.15	3.70	12.11	3.81	12.11	3.87	12.07	3.93	12.07	4.03
0		-0.7	13.12	3.75	13.12	3.85	13.07	3.95	13.07	4.00	13.03	4.05	13.03	4.16
3		2.2	14.16	3.88	14.12	3.98	14.12	4.07	14.08	4.12	14.08	4.17	13.79	4.15
5		4.1	14.88	3.97	14.83	4.06	14.83	4.15	14.79	4.20	14.79	4.24	13.79	3.89
7		6	15.63	4.05	15.63	4.14	15.59	4.22	15.34	4.16	14.83	3.99	13.79	3.66
9		7.9	16.43	4.13	16.39	4.21	15.84	4.07	15.34	3.91	14.83	3.75	13.79	3.45
11	9.8	17.27	4.20	16.85	4.13	15.84	3.83	15.34	3.68	14.83	3.53	13.79	3.25	
13	11.8	17.89	4.16	16.85	3.88	15.84	3.59	15.34	3.46	14.83	3.32	13.79	3.06	
15	13.7	17.89	3.92	16.85	3.65	15.84	3.39	15.34	3.26	14.83	3.13	13.79	2.88	
110%	-19.8	-20	8.46	2.92	8.42	3.06	8.38	3.21	8.38	3.29	8.38	3.36	8.34	3.51
	-18.8	-19	8.59	2.97	8.55	3.11	8.55	3.25	8.55	3.33	8.51	3.40	8.51	3.54
	-16.7	-17	8.93	3.06	8.88	3.20	9.01	3.34	8.84	3.41	8.84	3.48	8.80	3.62
	-13.7	-15	9.30	3.17	9.26	3.30	9.22	3.43	9.22	3.50	9.22	3.57	9.18	3.70
	-11.8	-13	9.68	3.28	9.68	3.40	9.64	3.53	9.64	3.59	9.60	3.66	9.60	3.79
	-9.8	-11	10.14	3.38	10.10	3.50	10.10	3.62	10.06	3.69	10.06	3.74	10.06	3.87
	-9.5	-10	10.39	3.43	10.35	3.55	10.31	3.67	10.31	3.73	10.31	3.79	10.27	3.91
	-8.5	-9.1	10.60	3.48	10.56	3.60	10.56	3.71	10.52	3.77	10.52	3.83	10.52	3.49
	-7	-7.6	10.98	3.56	10.98	3.67	10.94	3.78	10.94	3.84	10.94	3.89	10.90	4.01
	-5	-5.6	11.57	3.66	11.52	3.77	11.48	3.87	11.48	3.93	11.48	3.98	11.44	4.09
	-3	-3.7	12.11	3.75	12.11	3.85	12.07	3.96	12.07	4.01	12.03	4.06	12.03	4.16
	0	-0.7	13.07	3.89	13.07	3.99	13.03	4.08	13.03	4.13	13.03	4.18	12.66	4.10
	3	2.2	14.12	4.02	14.08	4.11	14.08	4.20	14.04	4.24	13.58	4.07	12.66	3.73
	5	4.1	14.83	4.10	14.83	4.19	14.54	4.15	14.04	3.98	13.58	3.82	12.66	3.51
	7	6	15.59	4.18	15.46	4.20	14.54	3.89	14.04	3.74	13.58	3.59	12.66	3.30
	9	7.9	16.38	4.25	15.46	3.95	14.54	3.66	14.04	3.52	13.58	3.38	12.66	3.11
11	9.8	16.38	3.99	15.46	3.72	14.54	3.45	14.04	3.32	13.58	3.19	12.66	2.93	
13	11.8	16.38	3.74	15.46	3.49	14.54	3.24	14.04	3.12	13.58	3.00	12.66	2.76	
15	13.7	16.38	3.33	15.46	3.29	14.54	3.06	14.04	2.94	13.58	2.83	12.66	2.61	

100%	-19.8	-20	8.42	3.15	8.38	3.29	8.38	3.42	8.34	3.49	8.34	3.55	8.30	3.69
	-18.8	-19	8.55	3.20	8.55	3.33	8.51	3.46	8.51	3.52	8.47	3.59	8.47	3.72
	-16.7	-17	8.88	3.29	8.84	3.41	8.84	3.54	8.80	3.60	8.80	3.66	8.80	3.79
	-13.7	-15	9.26	3.38	9.22	3.50	9.18	3.62	9.18	3.69	9.18	3.74	9.14	3.87
	-11.8	-13	9.64	3.48	9.64	3.59	9.60	3.71	9.60	3.77	9.60	3.83	9.55	3.94
	-9.8	-11	10.10	3.57	10.06	3.69	10.06	3.79	10.06	3.85	10.01	3.91	10.01	4.02
	-9.5	-10	10.35	3.62	10.31	3.73	10.31	3.84	10.27	3.89	10.27	3.95	10.22	4.06
	-8.5	-9.1	10.56	3.66	10.52	3.77	10.52	3.88	10.52	3.93	10.48	3.98	10.48	4.09
	-7	-7.6	10.94	3.74	10.94	3.84	10.90	3.94	10.90	3.99	10.90	4.04	10.85	4.15
	-5	-5.6	11.52	3.83	11.48	3.93	11.48	4.02	11.44	4.07	11.44	4.12	11.40	4.22
	-3	-3.7	12.07	3.92	12.07	3.56	12.03	4.10	12.03	4.15	12.03	4.19	11.52	4.02
	0	-0.7	13.03	4.04	13.03	4.13	12.99	4.21	12.78	4.15	12.36	3.97	11.52	3.65
	3	2.2	14.08	4.16	14.04	4.24	13.20	3.92	12.78	3.77	12.36	3.62	11.52	3.32
	5	4.1	14.79	4.24	14.04	3.98	13.20	3.69	12.78	3.55	12.36	3.41	11.52	3.13
	7	6	14.88	4.02	14.04	3.74	13.20	3.47	12.78	3.34	12.36	3.21	11.52	2.95
	9	7.9	14.88	3.78	14.04	3.52	13.20	3.27	12.78	3.10	12.36	3.02	11.52	2.79
11	9.8	14.88	3.56	14.04	3.32	13.20	3.08	12.78	2.97	12.36	2.85	11.52	2.63	
13	11.8	14.88	3.34	14.04	3.12	13.20	2.90	12.78	2.79	12.36	2.69	11.52	2.48	
15	13.7	14.88	3.15	14.04	2.94	13.20	2.74	12.78	2.64	12.36	2.54	11.52	2.35	
90%	-19.8	-20	8.37	3.39	8.32	3.51	8.32	3.63	8.28	3.69	8.28	3.75	8.28	3.87
	-18.8	-19	8.49	3.42	8.49	3.55	8.45	3.66	8.45	3.72	8.45	3.78	8.41	3.90
	-16.7	-17	8.83	3.51	8.78	3.62	8.78	3.74	8.78	3.79	8.74	3.85	8.74	3.96
	-13.7	-15	9.20	3.60	9.16	3.70	9.16	3.81	9.12	3.87	9.12	3.92	9.12	4.03
	-11.8	-13	9.58	3.68	9.58	3.79	9.54	3.89	9.54	3.94	9.54	3.99	9.50	4.10
	-9.8	-11	10.04	3.77	10.04	3.87	10.00	3.97	10.00	4.02	10.00	4.07	9.96	4.17
	-9.5	-10	10.29	3.81	10.25	3.91	10.25	4.01	10.21	4.06	10.21	4.11	10.21	4.20
	-8.5	-9.1	10.50	3.85	10.50	3.95	10.46	4.04	10.46	4.09	10.46	4.14	10.33	4.18
	-7	-7.6	10.88	3.92	10.88	4.01	10.83	4.10	10.83	4.15	10.83	4.19	10.33	3.99
	-5	-5.6	11.46	4.00	11.42	4.09	11.42	4.17	11.38	4.22	11.09	4.09	10.33	3.75
	-3	-3.7	12.01	4.08	12.01	4.16	11.88	4.18	11.46	4.01	11.09	3.85	10.33	3.53
	0	-0.7	13.01	4.20	12.63	4.09	11.88	3.79	11.46	3.64	11.09	3.50	10.33	3.21
	3	2.2	13.39	4.00	12.63	3.72	11.88	3.45	11.46	3.32	11.09	3.19	10.33	2.94
	5	4.1	13.39	3.76	12.63	3.50	11.88	3.25	11.46	3.13	11.09	3.01	10.33	2.77
	7	6	13.39	3.53	12.63	3.30	11.88	3.06	11.46	2.95	11.09	2.84	10.33	2.62
	9	7.9	13.39	3.33	12.63	3.10	11.88	2.89	11.46	2.78	11.09	2.68	10.33	2.47
11	9.8	13.39	3.14	12.63	2.93	11.88	2.73	11.46	2.63	11.09	2.53	10.33	2.34	
13	11.8	13.39	2.95	12.63	2.76	11.88	2.57	11.46	2.48	11.09	2.39	10.33	2.21	
15	13.7	13.39	2.79	12.63	2.61	11.88	2.44	11.46	2.35	11.09	2.27	10.33	2.10	
80%	-19.8	-20	8.34	3.62	8.30	3.73	8.30	3.83	8.30	3.89	8.25	3.94	8.25	4.05
	-18.8	-19	8.46	3.65	8.46	3.76	8.42	3.87	8.42	3.92	8.42	3.97	8.38	4.08
	-16.7	-17	8.80	3.73	8.76	3.83	8.76	3.93	8.76	3.98	8.76	4.03	8.72	4.13
	-13.7	-15	9.18	3.81	9.14	3.90	9.14	4.00	9.14	4.05	9.09	4.10	9.09	4.20
	-11.8	-13	9.55	3.88	9.55	3.98	9.51	4.07	9.51	4.11	9.51	4.16	9.22	4.05
	-9.8	-11	10.02	3.96	10.02	4.05	9.97	4.14	9.97	4.18	9.89	4.17	9.22	3.83
	-9.5	-10	10.27	4.00	10.22	4.09	10.23	4.17	10.23	4.22	9.89	4.05	9.22	3.71
	-8.5	-9.1	10.48	4.04	9.74	4.12	10.43	4.20	10.23	4.11	9.89	3.94	9.22	3.61
	-7	-7.6	10.85	4.10	10.85	4.18	10.56	4.09	10.23	3.92	9.89	3.77	9.22	3.46
	-5	-5.6	11.44	4.17	11.23	4.15	10.56	3.84	10.23	3.69	9.89	3.54	9.22	3.25
	-3	-3.7	11.90	4.19	11.23	3.90	10.56	3.61	10.23	3.48	9.89	3.34	9.22	3.07
	0	-0.7	11.90	3.80	11.23	3.54	10.56	3.29	10.23	3.17	9.89	3.04	9.22	2.80
	3	2.2	11.90	3.47	11.23	3.23	10.56	3.01	10.23	2.89	9.89	2.78	9.22	2.57
	5	4.1	11.90	3.26	11.23	3.05	10.56	2.83	10.23	2.73	9.89	2.63	9.22	2.43
	7	6	11.90	3.07	11.23	2.88	10.56	2.68	10.23	2.58	9.89	2.49	9.22	2.30
	9	7.9	11.90	2.90	11.23	2.71	10.56	2.53	10.23	2.44	9.89	2.35	9.22	2.18
11	9.8	11.90	2.74	11.23	2.56	10.56	2.39	10.23	2.31	9.89	2.23	9.22	2.06	
13	11.8	11.90	2.58	11.23	2.42	10.56	2.26	10.23	2.18	9.89	2.10	9.22	1.95	
15	13.7	11.90	2.44	11.23	2.29	10.56	2.14	10.23	2.07	9.89	2.00	9.22	1.86	
70%	-19.8	-20	8.28	3.86	8.24	3.95	8.24	4.04	8.24	4.09	8.24	4.14	8.03	4.09
	-18.8	-19	8.40	3.89	8.40	3.98	8.36	4.07	8.36	4.11	8.36	4.16	8.03	4.01
	-16.7	-17	8.74	3.95	8.74	4.04	8.70	4.13	8.70	4.17	8.61	3.72	8.03	3.82
	-13.7	-15	9.11	4.02	9.07	4.11	9.07	4.19	8.91	4.13	8.61	3.96	8.03	3.63

	-11.8	-13	9.49	4.09	9.49	4.17	9.24	4.07	8.91	3.91	8.61	3.75	8.03	3.44
	-9.8	-11	9.95	4.15	9.82	4.15	9.24	3.84	8.91	3.70	8.61	3.55	8.03	3.26
	-9.5	-10	10.20	4.19	9.82	4.03	9.24	3.73	8.91	3.59	8.61	3.45	8.03	3.17
	-8.5	-9.1	10.41	4.21	9.82	3.92	9.24	3.63	8.91	3.49	8.61	3.36	8.03	3.09
	-7	-7.6	10.41	4.02	9.82	3.74	9.24	3.47	8.91	3.34	8.61	3.21	8.03	2.96
	-5	-5.6	10.41	3.78	9.82	3.52	9.24	3.27	8.91	3.15	8.61	3.12	8.03	2.79
	-3	-3.7	10.41	3.56	9.82	3.32	9.24	3.09	8.91	2.97	8.61	2.86	8.03	2.64
	0	-0.7	10.41	3.24	9.82	3.03	9.24	2.82	8.91	2.71	8.61	2.61	8.03	2.42
	3	2.2	10.41	2.96	9.82	2.77	9.24	2.58	8.91	2.49	8.61	2.40	8.03	2.22
	5	4.1	10.41	2.79	9.82	2.61	9.24	2.44	8.91	2.35	8.61	2.27	8.03	2.10
	7	6	10.41	2.64	9.82	2.47	9.24	2.31	8.91	2.23	8.61	2.15	8.03	1.99
	9	7.9	10.41	2.50	9.82	2.34	9.24	2.19	8.91	2.11	8.61	2.04	8.03	1.89
	11	9.8	10.41	2.36	9.82	2.21	9.24	2.07	8.91	2.00	8.61	1.93	8.03	1.79
	13	11.8	10.41	2.23	9.82	2.10	9.24	1.96	8.91	1.90	8.61	1.83	8.03	1.70
	15	13.7	10.41	2.11	9.82	1.99	9.24	1.86	8.91	1.80	8.61	1.74	8.03	1.62
60%	-19.8	-20	8.26	4.09	8.21	4.17	7.92	4.01	7.67	3.85	7.42	3.70	6.91	3.39
	-18.8	-19	8.38	4.12	8.38	4.20	7.92	3.92	7.67	3.77	7.42	3.62	6.91	3.32
	-16.7	-17	8.72	4.17	8.42	4.04	7.92	3.74	7.67	3.60	7.42	3.46	6.91	3.18
	-13.7	-15	8.93	4.13	8.42	3.84	7.92	3.56	7.67	3.42	7.42	3.29	6.91	3.02
	-11.8	-13	8.93	3.91	8.42	3.64	7.92	3.38	7.67	3.25	7.42	3.12	6.91	2.89
	-9.8	-11	8.93	3.69	8.42	3.44	7.92	3.19	7.67	3.07	7.42	2.96	6.91	2.73
	-9.5	-10	8.93	3.59	8.42	3.34	7.92	3.10	7.67	2.99	7.42	2.87	6.91	2.65
	-8.5	-9.1	8.93	3.49	8.42	3.26	7.92	3.03	7.67	2.92	7.42	2.80	6.91	2.59
	-7	-7.6	8.93	3.34	8.42	3.12	7.92	2.90	7.67	2.79	7.42	2.69	6.91	2.48
	-5	-5.6	8.93	3.15	8.42	2.94	7.92	2.74	7.67	2.64	7.42	2.54	6.91	2.35
	-3	-3.7	8.93	2.97	8.42	2.78	7.92	2.59	7.67	2.50	7.42	2.40	6.91	2.22
	0	-0.7	8.93	2.71	8.42	2.54	7.92	2.37	7.67	2.29	7.42	2.20	6.91	2.04
	3	2.2	8.93	2.49	8.42	2.33	7.92	2.18	7.67	2.10	7.42	2.03	6.91	1.88
	5	4.1	8.93	2.35	8.42	2.21	7.92	2.06	7.67	2.00	7.42	1.92	6.91	1.79
	7	6	8.93	2.23	8.42	2.09	7.92	1.96	7.67	1.89	7.42	1.83	6.91	1.70
9	7.9	8.93	2.11	8.42	1.98	7.92	1.86	7.67	1.80	7.42	1.73	6.91	1.62	
11	9.8	8.93	2.00	8.42	1.88	7.92	1.77	7.67	1.71	7.42	1.65	6.91	1.54	
13	11.8	8.93	1.89	8.42	1.78	7.92	1.68	7.67	1.62	7.42	1.57	6.91	1.46	
15	13.7	8.93	1.80	8.42	1.69	7.92	1.60	7.67	1.55	7.42	1.50	6.91	1.40	
50%	-19.8	-20	7.44	3.72	7.02	3.47	6.60	3.22	6.35	3.10	6.14	2.98	5.72	2.74
	-18.8	-19	7.44	3.64	7.02	3.39	6.60	3.15	6.35	3.03	6.14	2.92	5.72	2.69
	-16.7	-17	7.44	3.47	7.02	3.24	6.60	3.01	6.35	2.90	6.14	2.79	5.72	2.58
	-13.7	-15	7.44	3.31	7.02	3.09	6.60	2.87	6.35	2.77	6.14	2.66	5.72	2.46
	-11.8	-13	7.44	3.14	7.02	2.93	6.60	2.73	6.35	2.63	6.14	2.53	5.72	2.34
	-9.8	-11	7.44	2.97	7.02	2.78	6.60	2.59	6.35	2.50	6.14	2.41	5.72	2.23
	-9.5	-10	7.44	2.89	7.02	2.70	6.60	2.52	6.35	2.43	6.14	2.34	5.72	2.17
	-8.5	-9.1	7.44	2.82	7.02	2.64	6.60	2.46	6.35	2.37	6.14	2.29	5.72	2.12
	-7	-7.6	7.44	2.70	7.02	2.53	6.60	2.36	6.35	2.28	6.14	2.20	5.72	2.04
	-5	-5.6	7.44	2.55	7.02	2.39	6.60	2.24	6.35	2.16	6.14	2.08	5.72	1.93
	-3	-3.7	7.44	2.42	7.02	2.27	6.60	2.12	6.35	2.05	6.14	1.97	5.72	1.83
	0	-0.7	7.44	2.22	7.02	2.08	6.60	1.95	6.35	1.88	6.14	1.82	5.72	1.69
	3	2.2	7.44	2.04	7.02	1.92	6.60	1.80	6.35	1.74	6.14	1.68	5.72	1.57
	5	4.1	7.44	1.94	7.02	1.82	6.60	1.71	6.35	1.65	6.14	1.60	5.72	1.49
	7	6	7.44	1.84	7.02	1.73	6.60	1.63	6.35	1.57	6.14	1.52	5.72	1.42
9	7.9	7.44	1.74	7.02	1.64	6.60	1.55	6.35	1.50	6.14	1.45	5.72	1.36	
11	9.8	7.44	1.66	7.02	1.56	6.60	1.47	6.35	1.43	6.14	1.38	5.72	1.29	
13	11.8	7.44	1.58	7.02	1.49	6.60	1.40	6.35	1.36	6.14	1.32	5.72	1.23	
15	13.7	7.44	1.50	7.02	1.42	6.60	1.34	6.35	1.30	6.14	1.26	5.72	1.18	

Note:

- 1, [] is tested under our standard condition.
- 2, In heating mode, avoid the outdoor air temperature range from -15 to -20 degree C, when selecting the models.
- 3, The above table shows the average value of conditions may operate.
- 4, It is recommended to connect less than 130%.

MDV-V140W/DRN1

Cooling

Combination (%) (Capacity index)	Outdoor temperature (°C DB)	Indoor temperature(° C DB/WD)													
		DB:20.8,WB		DB:23.3,WB		DB:25.8,WB		DB:27,WB:1		DB:28.2,WB:2		DB:30.7,WB:		DB:32,WB:2	
		TC	PI	TC	PI	TC	PI	TC	PI	TC	PI	TC	PI	TC	PI
130%	-5	12.30	1.61	14.65	1.97	17.00	2.11	17.65	2.20	18.50	2.26	18.95	2.46	19.43	2.47
	-2	12.30	1.61	14.65	2.01	17.00	2.11	17.65	2.21	18.50	2.26	18.95	2.49	19.43	2.50
	0	12.30	1.64	14.65	2.04	17.00	2.19	17.65	2.33	18.50	2.39	18.95	2.52	19.43	2.53
	2	12.30	1.67	14.65	2.05	17.00	2.26	17.65	2.46	18.50	2.42	18.95	2.54	19.43	2.57
	4	12.30	1.71	14.65	2.09	17.00	2.34	17.65	2.47	18.50	2.45	18.95	2.54	19.43	2.62
	6	12.30	1.74	14.65	2.13	17.00	2.43	17.65	2.50	18.29	2.53	18.72	2.54	19.21	2.64
	8	12.30	1.78	14.65	2.18	17.00	2.55	17.65	2.62	18.07	2.61	18.51	3.90	18.97	2.66
	10	12.30	1.82	14.65	2.23	17.00	2.65	17.65	2.70	17.85	4.04	18.30	4.06	18.75	2.74
	12	12.30	1.85	14.65	2.27	17.00	2.70	17.40	4.03	17.65	4.06	18.05	4.07	18.50	2.76
	14	12.30	1.89	14.65	2.31	16.95	4.05	17.20	4.06	17.40	4.08	17.85	4.09	18.30	2.82
	16	12.30	1.92	14.65	2.36	16.75	4.06	16.95	4.08	17.15	4.10	17.60	4.12	18.05	2.86
	18	12.30	1.96	14.65	2.41	16.50	2.82	16.70	2.84	16.95	2.85	17.40	2.88	17.85	2.91
	20	12.30	2.00	14.65	2.56	16.25	2.96	16.50	2.98	16.70	2.99	17.15	3.02	17.60	3.05
	21	12.30	2.05	14.65	2.65	16.15	3.03	16.40	3.05	16.60	3.06	17.05	3.09	17.50	3.12
	23	12.30	2.20	14.65	2.84	15.95	3.17	16.15	3.18	16.35	3.20	16.80	3.23	17.25	3.26
	25	12.30	2.35	14.65	3.05	15.70	3.31	15.90	3.32	16.15	3.34	16.60	3.38	17.05	3.41
	27	12.30	2.51	14.65	3.26	15.50	3.44	15.70	3.47	15.90	3.48	16.35	3.52	16.80	3.56
	29	12.30	2.68	14.65	3.48	15.25	3.58	15.45	3.60	15.70	3.63	16.15	3.66	16.60	3.70
	31	12.30	2.86	14.60	3.68	15.00	3.73	15.25	3.75	15.45	3.76	15.90	3.81	16.35	3.85
	33	12.30	3.05	14.35	3.82	14.80	3.86	15.00	3.89	15.25	3.91	15.70	3.95	16.10	3.99
35	12.30	3.25	14.10	3.96	14.55	4.01	14.80	4.03	15.00	4.05	15.45	4.10	15.90	4.14	
37	12.30	3.46	13.90	4.10	14.35	4.15	14.55	4.17	14.80	4.20	15.20	4.25	15.65	4.30	
39	12.30	3.68	13.65	4.15	14.10	4.29	14.35	4.32	14.55	4.34	15.00	4.39	15.45	4.45	
41	12.30	3.88	13.51	4.19	13.95	4.33	14.20	4.36	14.40	4.38	14.85	4.40	14.86	4.49	
43	12.30	3.98	13.41	4.21	13.88	4.34	14.13	4.38	14.25	4.39	14.58	4.41	14.68	4.50	
45	12.30	4.17	13.33	4.25	13.73	4.38	13.98	4.41	14.05	4.41	14.19	4.43	14.39	4.58	
48	12.30	4.32	13.80	4.39	14.97	4.42	15.24	4.45	15.37	4.46	15.30	4.50	15.58	4.51	
120%	-5	11.35	1.56	13.50	1.89	15.70	2.23	16.80	2.44	17.60	2.54	18.00	2.62	18.40	2.69
	-2	11.35	1.57	13.50	1.91	15.70	2.26	16.80	2.45	17.60	2.57	18.00	2.64	18.40	2.70
	0	11.35	1.59	13.50	1.92	15.70	2.28	16.80	2.46	17.60	2.59	18.00	2.66	18.40	2.71
	2	11.35	1.59	13.50	1.94	15.70	2.30	16.80	2.48	17.60	2.60	18.00	2.68	18.40	2.71
	4	11.35	1.61	13.50	1.97	15.70	2.33	16.80	2.50	17.60	2.64	18.00	2.68	18.40	2.72
	6	11.35	1.63	13.50	1.98	15.70	2.36	16.80	2.53	17.60	2.67	18.00	2.71	18.40	2.73
	8	11.35	1.64	13.50	2.00	15.70	2.39	16.80	2.56	17.60	2.69	18.00	2.71	18.40	2.74
	10	11.35	1.66	13.50	2.03	15.70	2.41	16.80	2.61	17.60	2.69	18.00	2.72	18.40	2.75
	12	11.35	1.69	13.50	2.07	15.70	2.46	16.80	2.66	17.35	2.71	17.75	2.71	18.15	2.77
	14	11.35	1.73	13.50	2.11	15.70	2.51	16.80	2.71	17.10	2.72	17.55	2.75	17.95	2.80
	16	11.35	1.76	13.50	2.15	15.70	2.56	16.70	4.10	16.90	2.76	17.30	2.79	17.70	2.84
	18	11.35	1.79	13.50	2.19	15.70	2.64	16.45	2.82	16.65	2.83	17.05	2.86	17.50	2.89
	20	11.35	1.83	13.50	2.28	15.70	2.84	16.25	2.96	16.45	2.97	16.85	3.00	17.25	3.02
	21	11.35	1.84	13.50	2.36	15.70	2.94	16.10	3.03	16.30	3.04	16.75	3.07	17.15	3.10
	23	11.35	1.97	13.50	2.53	15.70	3.15	15.90	3.16	16.10	3.18	16.50	3.21	16.90	3.24
	25	11.35	2.10	13.50	2.70	15.45	3.29	15.65	3.30	15.85	3.32	16.30	3.35	16.70	3.38
	27	11.35	2.25	13.50	2.89	15.25	3.42	15.45	3.44	15.65	3.46	16.05	3.49	16.45	3.52
	29	11.35	2.40	13.50	3.09	15.00	3.56	15.20	3.58	15.40	3.60	15.80	3.64	16.25	3.67
	31	11.35	2.56	13.50	3.30	14.75	3.71	15.00	3.72	15.20	3.74	15.60	3.78	16.00	3.82
	33	11.35	2.72	13.50	3.51	14.55	3.84	14.75	3.86	14.95	3.88	15.35	3.92	15.75	3.96
35	11.35	2.90	13.50	3.75	14.30	3.98	14.50	4.00	14.75	4.02	15.15	4.07	15.55	4.11	
37	11.35	3.08	13.50	3.99	14.10	4.13	14.30	4.15	14.50	4.17	14.90	4.21	15.30	4.26	
39	11.35	3.28	13.45	4.22	13.85	4.26	14.05	4.29	14.25	4.31	14.70	4.36	15.10	4.40	
41	11.35	3.37	13.34	4.25	13.74	4.29	13.94	4.32	14.14	4.34	14.59	4.37	14.67	4.44	
43	11.35	3.42	13.27	4.28	13.63	4.32	13.83	4.34	14.03	4.36	14.34	4.38	14.44	4.52	
45	11.35	3.46	13.20	4.32	13.50	4.36	13.69	4.38	13.91	4.39	14.05	4.40	14.29	4.62	
48	13.15	3.49	15.16	4.36	15.44	4.40	15.61	4.41	15.94	4.43	16.02	4.41	16.34	4.68	
110%	-5	10.40	1.36	12.40	1.70	14.40	2.02	15.40	2.17	16.40	2.34	17.65	2.43	18.05	2.50
	-2	10.40	1.39	12.40	1.72	14.40	2.04	15.40	2.19	16.40	2.35	17.65	2.45	18.05	2.51
	0	10.40	1.40	12.40	1.73	14.40	2.06	15.40	2.21	16.40	2.38	17.65	2.47	18.05	2.55
	2	10.40	1.43	12.40	1.74	14.40	2.09	15.40	2.23	16.40	2.41	17.65	2.51	18.05	2.58
	4	10.40	1.46	12.40	1.76	14.40	2.11	15.40	2.26	16.40	2.44	17.65	2.55	18.05	2.60

	6	10.40	1.48	12.40	1.78	14.40	2.13	15.40	2.29	16.40	2.47	17.65	2.57	18.05	2.64
	8	10.40	1.49	12.40	1.81	14.40	2.15	15.40	2.32	16.40	2.50	17.65	2.59	18.05	2.67
	10	10.40	1.51	12.40	1.84	14.40	2.18	15.40	2.36	16.40	2.54	17.65	2.61	18.05	2.69
	12	10.40	1.54	12.40	1.87	14.40	2.23	15.40	2.41	16.40	2.59	17.45	2.65	17.80	2.73
	14	10.40	1.57	12.40	1.91	14.40	2.27	15.40	2.45	16.40	2.64	17.20	2.67	17.60	2.75
	16	10.40	1.59	12.40	1.94	14.40	2.31	15.40	2.50	16.40	2.69	17.00	2.70	17.35	2.78
	18	10.40	1.62	12.40	1.98	14.40	2.36	15.40	2.57	16.40	2.82	16.75	2.84	17.15	2.86
	20	10.40	1.66	12.40	2.02	14.40	2.50	15.40	2.76	16.15	2.95	16.55	2.98	16.90	3.00
	21	10.40	1.67	12.40	2.08	14.40	2.59	15.40	2.86	16.05	3.02	16.40	3.05	16.80	3.07
	23	10.40	1.75	12.40	2.23	14.40	2.77	15.40	3.07	15.80	3.16	16.20	3.19	16.55	3.22
	25	10.40	1.87	12.40	2.38	14.40	2.97	15.40	3.28	15.60	3.30	15.95	3.33	16.35	3.35
	27	10.40	1.99	12.40	2.55	14.40	3.17	15.15	3.42	15.35	3.43	15.75	3.47	16.10	3.50
	29	10.40	2.12	12.40	2.72	14.40	3.39	14.95	3.56	15.15	3.58	15.50	3.61	15.90	3.64
	31	10.40	2.26	12.40	2.90	14.40	3.62	14.70	3.70	14.90	3.72	15.30	3.75	15.65	3.79
	33	10.40	2.41	12.40	3.09	14.30	3.82	14.50	3.84	14.70	3.85	15.05	3.89	15.45	3.93
	35	10.40	2.56	12.40	3.30	14.05	3.96	14.25	3.98	14.45	4.00	14.80	4.04	15.20	4.07
	37	10.40	2.73	12.40	3.51	13.85	4.10	14.05	4.12	14.20	4.14	14.60	4.18	14.95	4.22
	39	10.40	2.90	12.40	3.74	13.60	4.24	13.80	4.26	14.00	4.28	14.35	4.32	14.75	4.37
	41	10.40	2.93	12.40	3.77	13.49	4.27	13.69	4.29	13.89	4.31	14.17	4.35	14.31	4.40
	43	10.40	2.96	12.40	3.82	13.39	4.30	13.59	4.32	13.79	4.34	14.04	4.37	14.09	4.48
	45	10.40	3.05	12.40	3.84	13.25	4.34	13.44	4.37	13.66	4.38	13.90	4.49	13.96	4.59
	48	11.39	3.16	13.58	4.16	14.30	4.37	14.49	4.40	14.80	4.43	14.97	4.50	15.09	4.64
100%	-5	9.45	1.24	11.25	1.49	13.10	1.78	14.00	1.90	14.90	2.07	16.75	2.35	17.70	2.46
	-2	9.45	1.26	11.25	1.51	13.10	1.80	14.00	1.94	14.90	2.09	16.75	2.38	17.70	2.47
	0	9.45	1.27	11.25	1.53	13.10	1.82	14.00	1.96	14.90	2.11	16.75	2.42	17.70	2.50
	2	9.45	1.29	11.25	1.55	13.10	1.84	14.00	1.99	14.90	2.14	16.75	2.46	17.70	2.54
	4	9.45	1.30	11.25	1.56	13.10	1.86	14.00	2.02	14.90	2.16	16.75	2.48	17.70	2.57
	6	9.45	1.32	11.25	1.60	13.10	1.89	14.00	2.05	14.90	2.20	16.75	2.52	17.70	2.61
	8	9.45	1.35	11.25	1.62	13.10	1.92	14.00	2.08	14.90	2.23	16.75	2.56	17.70	2.65
	10	9.45	1.36	11.25	1.65	13.10	1.95	14.00	2.11	14.90	2.27	16.75	2.60	17.70	2.69
	12	9.45	1.38	11.25	1.68	13.10	1.99	14.00	2.15	14.90	2.32	16.75	2.65	17.45	2.71
	14	9.45	1.41	11.25	1.71	13.10	2.03	14.00	2.19	14.90	2.36	16.75	2.70	17.25	2.74
	16	9.45	1.44	11.25	1.75	13.10	2.07	14.00	2.24	14.90	2.41	16.65	2.73	17.00	2.77
	18	9.45	1.46	11.25	1.78	13.10	2.11	14.00	2.28	14.90	2.45	16.45	2.82	16.80	2.84
	20	9.45	1.49	11.25	1.82	13.10	2.17	14.00	2.40	14.90	2.63	16.20	2.95	16.55	2.98
	21	9.45	1.51	11.25	1.83	13.10	2.25	14.00	2.48	14.90	2.72	16.10	3.02	16.45	3.05
	23	9.45	1.54	11.25	1.95	13.10	2.41	14.00	2.66	14.90	2.92	15.90	3.16	16.20	3.19
	25	9.45	1.64	11.25	2.09	13.10	2.58	14.00	2.85	14.90	3.12	15.65	3.30	16.00	3.33
	27	9.45	1.76	11.25	2.23	13.10	2.76	14.00	3.05	14.90	3.34	15.40	3.44	15.75	3.47
	29	9.45	1.87	11.25	2.37	13.10	2.94	14.00	3.25	14.85	3.55	15.20	3.58	15.55	3.61
	31	9.45	1.99	11.25	2.53	13.10	3.14	14.00	3.47	14.65	3.69	14.95	3.72	15.30	3.75
	33	9.45	2.11	11.25	2.70	13.10	3.35	14.00	3.71	14.40	3.83	14.75	3.86	15.10	3.90
35	9.45	2.25	11.25	2.87	13.10	3.57	14.00	3.95	14.15	3.97	14.50	4.00	14.85	4.04	
37	9.45	2.39	11.25	3.06	13.10	3.81	13.75	4.09	13.95	4.11	14.30	4.15	14.60	4.18	
39	9.45	2.54	11.25	3.25	13.10	4.05	13.55	4.23	13.70	4.25	14.05	4.29	14.40	4.33	
41	9.45	2.66	11.25	3.37	13.10	4.20	13.34	4.26	13.59	4.31	13.81	4.39	14.19	4.42	
43	9.45	2.78	11.25	3.48	13.10	4.28	13.13	4.31	13.50	4.36	13.89	4.41	13.94	4.47	
45	9.45	2.93	11.25	3.64	13.10	4.35	12.85	4.37	13.43	4.43	13.77	4.48	13.66	4.53	
48	9.79	3.06	11.65	3.77	13.57	4.36	12.76	4.42	13.88	4.51	13.39	4.53	13.84	4.57	
90%	-5	8.50	1.10	10.15	1.32	11.80	1.55	12.60	1.69	13.40	1.80	15.05	2.07	16.70	2.37
	-2	8.50	1.11	10.15	1.33	11.80	1.57	12.60	1.72	13.40	1.82	15.05	2.09	16.70	2.40
	0	8.50	1.12	10.15	1.35	11.80	1.60	12.60	1.74	13.40	1.85	15.05	2.12	16.70	2.41
	2	8.50	1.14	10.15	1.36	11.80	1.61	12.60	1.77	13.40	1.88	15.05	2.16	16.70	2.45
	4	8.50	1.16	10.15	1.38	11.80	1.64	12.60	1.79	13.40	1.90	15.05	2.19	16.70	2.49
	6	8.50	1.17	10.15	1.41	11.80	1.67	12.60	1.82	13.40	1.93	15.05	2.23	16.70	2.53
	8	8.50	1.20	10.15	1.44	11.80	1.70	12.60	1.85	13.40	1.97	15.05	2.27	16.70	2.55
	10	8.50	1.22	10.15	1.47	11.80	1.74	12.60	1.87	13.40	2.01	15.05	2.30	16.70	2.59
	12	8.50	1.24	10.15	1.50	11.80	1.77	12.60	1.91	13.40	2.05	15.05	2.34	16.70	2.64
	14	8.50	1.26	10.15	1.52	11.80	1.80	12.60	1.94	13.40	2.09	15.05	2.38	16.70	2.69
	16	8.50	1.28	10.15	1.55	11.80	1.84	12.60	1.98	13.40	2.13	15.05	2.43	16.65	2.74
	18	8.50	1.30	10.15	1.58	11.80	1.87	12.60	2.02	13.40	2.17	15.05	2.48	16.45	2.82
	20	8.50	1.33	10.15	1.62	11.80	1.91	12.60	2.06	13.40	2.25	15.05	2.67	16.20	2.95
	21	8.50	1.34	10.15	1.63	11.80	1.94	12.60	2.13	13.40	2.33	15.05	2.76	16.10	3.02
23	8.50	1.37	10.15	1.69	11.80	2.08	12.60	2.28	13.40	2.50	15.05	2.96	15.85	3.16	

	25	8.50	1.44	10.15	1.81	11.80	2.22	12.60	2.44	13.40	2.67	15.05	3.17	15.65	3.30
	27	8.50	1.53	10.15	1.93	11.80	2.37	12.60	2.61	13.40	2.86	15.05	3.40	15.40	3.44
	29	8.50	1.63	10.15	2.05	11.80	2.53	12.60	2.78	13.40	3.06	14.90	3.55	15.20	3.58
	31	8.50	1.74	10.15	2.19	11.80	2.69	12.60	2.97	13.40	3.26	14.65	3.69	14.95	3.72
	33	8.50	1.84	10.15	2.33	11.80	2.87	12.60	3.17	13.40	3.48	14.45	3.83	14.75	3.86
	35	8.50	1.96	10.15	2.48	11.80	3.06	12.60	3.37	13.40	3.70	14.20	3.97	14.50	4.00
	37	8.50	2.08	10.15	2.63	11.80	3.26	12.60	3.59	13.40	3.95	13.95	4.11	14.30	4.14
	39	8.50	2.20	10.15	2.80	11.80	3.47	12.60	3.83	13.40	4.21	13.75	4.25	14.05	4.29
	41	8.50	2.28	10.15	2.93	11.80	3.59	12.60	3.93	13.40	4.23	13.65	4.36	13.96	4.39
	43	8.50	2.39	10.15	3.05	11.80	3.72	12.60	4.03	13.40	4.32	13.58	4.42	13.84	4.45
	45	8.50	2.54	10.15	3.21	11.80	3.87	12.60	4.16	13.40	4.44	13.51	4.46	13.62	4.51
	48	8.50	2.68	10.15	3.35	11.80	4.02	12.60	4.22	13.40	4.48	14.88	4.53	14.73	4.57
80%	-5	7.55	0.97	9.00	1.14	10.45	1.35	11.20	1.44	11.95	1.55	13.40	1.79	14.85	2.04
	-2	7.55	0.98	9.00	1.16	10.45	1.36	11.20	1.46	11.95	1.56	13.40	1.81	14.85	2.06
	0	7.55	1.00	9.00	1.17	10.45	1.38	11.20	1.48	11.95	1.59	13.40	1.83	14.85	2.09
	2	7.55	1.02	9.00	1.19	10.45	1.40	11.20	1.51	11.95	1.62	13.40	1.87	14.85	2.13
	4	7.55	1.03	9.00	1.21	10.45	1.43	11.20	1.54	11.95	1.65	13.40	1.90	14.85	2.16
	6	7.55	1.05	9.00	1.24	10.45	1.45	11.20	1.57	11.95	1.68	13.40	1.93	14.85	2.20
	8	7.55	1.07	9.00	1.27	10.45	1.48	11.20	1.60	11.95	1.72	13.40	1.96	14.85	2.24
	10	7.55	1.08	9.00	1.29	10.45	1.52	11.20	1.64	11.95	1.76	13.40	2.01	14.85	2.26
	12	7.55	1.10	9.00	1.31	10.45	1.55	11.20	1.67	11.95	1.79	13.40	2.04	14.85	2.31
	14	7.55	1.12	9.00	1.34	10.45	1.58	11.20	1.70	11.95	1.83	13.40	2.08	14.85	2.35
	16	7.55	1.13	9.00	1.36	10.45	1.61	11.20	1.73	11.95	1.86	13.40	2.12	14.85	2.39
	18	7.55	1.16	9.00	1.39	10.45	1.64	11.20	1.77	11.95	1.90	13.40	2.17	14.85	2.44
	20	7.55	1.18	9.00	1.42	10.45	1.67	11.20	1.80	11.95	1.93	13.40	2.25	14.85	2.61
	21	7.55	1.19	9.00	1.43	10.45	1.69	11.20	1.82	11.95	1.98	13.40	2.33	14.85	2.70
	23	7.55	1.21	9.00	1.46	10.45	1.77	11.20	1.94	11.95	2.11	13.40	2.49	14.85	2.90
	25	7.55	1.25	9.00	1.55	10.45	1.89	11.20	2.07	11.95	2.26	13.40	2.67	14.85	3.10
	27	7.55	1.33	9.00	1.65	10.45	2.01	11.20	2.21	11.95	2.41	13.40	2.85	14.85	3.32
	29	7.55	1.41	9.00	1.76	10.45	2.15	11.20	2.35	11.95	2.58	13.40	3.04	14.85	3.55
	31	7.55	1.50	9.00	1.87	10.45	2.28	11.20	2.51	11.95	2.75	13.40	3.25	14.60	3.69
	33	7.55	1.59	9.00	1.99	10.45	2.43	11.20	2.67	11.95	2.92	13.40	3.46	14.40	3.83
35	7.55	1.69	9.00	2.11	10.45	2.59	11.20	2.84	11.95	3.11	13.40	3.69	14.15	3.97	
37	7.55	1.79	9.00	2.24	10.45	2.75	11.20	3.03	11.95	3.32	13.40	3.93	13.95	4.10	
39	7.55	1.90	9.00	2.39	10.45	2.93	11.20	3.22	11.95	3.53	13.40	4.19	13.70	4.25	
41	7.55	1.94	9.00	2.41	10.45	2.97	11.20	3.31	11.95	3.59	13.40	4.30	13.62	4.32	
43	7.55	1.99	9.00	2.43	10.45	3.01	11.20	3.36	11.95	3.64	13.40	4.35	13.53	4.37	
45	7.55	2.05	9.00	2.46	10.45	3.07	11.20	3.43	11.95	3.71	13.40	4.39	13.36	4.44	
48	7.55	2.12	9.00	2.48	11.76	3.12	11.20	3.48	11.95	3.74	13.40	4.44	14.91	4.50	
70%	-5	6.60	0.86	7.90	1.01	9.15	1.15	9.80	1.23	10.45	1.31	11.70	1.50	13.00	1.73
	-2	6.60	0.87	7.90	1.02	9.15	1.15	9.80	1.25	10.45	1.34	11.70	1.52	13.00	1.75
	0	6.60	0.87	7.90	1.03	9.15	1.18	9.80	1.28	10.45	1.36	11.70	1.56	13.00	1.77
	2	6.60	0.88	7.90	1.04	9.15	1.20	9.80	1.30	10.45	1.38	11.70	1.59	13.00	1.80
	4	6.60	0.89	7.90	1.06	9.15	1.22	9.80	1.32	10.45	1.41	11.70	1.61	13.00	1.84
	6	6.60	0.91	7.90	1.08	9.15	1.25	9.80	1.37	10.45	1.45	11.70	1.64	13.00	1.88
	8	6.60	0.92	7.90	1.11	9.15	1.28	9.80	1.39	10.45	1.48	11.70	1.69	13.00	1.91
	10	6.60	0.94	7.90	1.13	9.15	1.31	9.80	1.42	10.45	1.52	11.70	1.72	13.00	1.94
	12	6.60	0.96	7.90	1.14	9.15	1.34	9.80	1.44	10.45	1.54	11.70	1.76	13.00	1.98
	14	6.60	0.98	7.90	1.17	9.15	1.36	9.80	1.46	10.45	1.57	11.70	1.79	13.00	2.01
	16	6.60	1.00	7.90	1.19	9.15	1.39	9.80	1.50	10.45	1.60	11.70	1.82	13.00	2.05
	18	6.60	1.01	7.90	1.21	9.15	1.42	9.80	1.52	10.45	1.63	11.70	1.86	13.00	2.09
	20	6.60	1.03	7.90	1.23	9.15	1.44	9.80	1.55	10.45	1.66	11.70	1.90	13.00	2.15
	21	6.60	1.04	7.90	1.24	9.15	1.45	9.80	1.57	10.45	1.68	11.70	1.92	13.00	2.23
	23	6.60	1.05	7.90	1.26	9.15	1.49	9.80	1.62	10.45	1.76	11.70	2.06	13.00	2.38
	25	6.60	1.08	7.90	1.31	9.15	1.58	9.80	1.73	10.45	1.88	11.70	2.20	13.00	2.55
	27	6.60	1.14	7.90	1.40	9.15	1.69	9.80	1.84	10.45	2.01	11.70	2.35	13.00	2.73
	29	6.60	1.21	7.90	1.49	9.15	1.79	9.80	1.96	10.45	2.13	11.70	2.51	13.00	2.91
	31	6.60	1.28	7.90	1.58	9.15	1.91	9.80	2.09	10.45	2.27	11.70	2.67	13.00	3.10
	33	6.60	1.36	7.90	1.68	9.15	2.03	9.80	2.22	10.45	2.42	11.70	2.85	13.00	3.31
35	6.60	1.44	7.90	1.78	9.15	2.16	9.80	2.36	10.45	2.58	11.70	3.03	13.00	3.53	
37	6.60	1.52	7.90	1.88	9.15	2.29	9.80	2.51	10.45	2.74	11.70	3.23	13.00	3.76	
39	6.60	1.61	7.90	2.00	9.15	2.43	9.80	2.67	10.45	2.91	11.70	3.43	13.00	4.00	
41	6.60	1.68	7.90	2.07	9.15	2.50	9.80	2.76	10.45	3.00	11.70	3.58	13.00	4.18	
43	6.60	1.82	7.90	2.21	9.15	2.61	9.80	2.90	10.45	3.09	11.70	3.71	13.00	4.31	

	45	6.60	1.86	7.90	2.26	9.15	2.66	9.80	2.95	10.45	3.24	11.70	3.91	13.00	4.48
	48	6.60	1.90	7.90	2.28	9.15	2.69	9.80	3.00	10.45	3.33	11.70	4.08	13.00	4.58
60%	-5	5.65	0.74	6.75	0.85	7.85	0.99	8.40	1.06	8.95	1.14	10.05	1.29	11.15	1.47
	-2	5.65	0.74	6.75	0.87	7.85	1.01	8.40	1.08	8.95	1.16	10.05	1.30	11.15	1.48
	0	5.65	0.75	6.75	0.88	7.85	1.03	8.40	1.09	8.95	1.18	10.05	1.32	11.15	1.50
	2	5.65	0.76	6.75	0.90	7.85	1.05	8.40	1.11	8.95	1.19	10.05	1.35	11.15	1.52
	4	5.65	0.79	6.75	0.92	7.85	1.07	8.40	1.12	8.95	1.21	10.05	1.37	11.15	1.54
	6	5.65	0.79	6.75	0.93	7.85	1.09	8.40	1.15	8.95	1.23	10.05	1.40	11.15	1.58
	8	5.65	0.81	6.75	0.95	7.85	1.11	8.40	1.17	8.95	1.26	10.05	1.43	11.15	1.61
	10	5.65	0.83	6.75	0.97	7.85	1.12	8.40	1.20	8.95	1.28	10.05	1.45	11.15	1.63
	12	5.65	0.84	6.75	0.98	7.85	1.14	8.40	1.22	8.95	1.30	10.05	1.48	11.15	1.66
	14	5.65	0.85	6.75	1.00	7.85	1.16	8.40	1.25	8.95	1.33	10.05	1.51	11.15	1.69
	16	5.65	0.86	6.75	1.02	7.85	1.18	8.40	1.27	8.95	1.35	10.05	1.53	11.15	1.72
	18	5.65	0.88	6.75	1.03	7.85	1.20	8.40	1.29	8.95	1.38	10.05	1.56	11.15	1.75
	20	5.65	0.89	6.75	1.05	7.85	1.22	8.40	1.31	8.95	1.41	10.05	1.59	11.15	1.79
	21	5.65	0.90	6.75	1.06	7.85	1.23	8.40	1.33	8.95	1.42	10.05	1.61	11.15	1.80
	23	5.65	0.91	6.75	1.08	7.85	1.26	8.40	1.35	8.95	1.44	10.05	1.67	11.15	1.92
	25	5.65	0.93	6.75	1.10	7.85	1.30	8.40	1.42	8.95	1.53	10.05	1.78	11.15	2.05
	27	5.65	0.96	6.75	1.17	7.85	1.39	8.40	1.51	8.95	1.63	10.05	1.90	11.15	2.19
	29	5.65	1.02	6.75	1.23	7.85	1.48	8.40	1.61	8.95	1.74	10.05	2.03	11.15	2.34
	31	5.65	1.08	6.75	1.31	7.85	1.57	8.40	1.71	8.95	1.85	10.05	2.16	11.15	2.49
	33	5.65	1.14	6.75	1.39	7.85	1.67	8.40	1.82	8.95	1.97	10.05	2.29	11.15	2.65
	35	5.65	1.21	6.75	1.47	7.85	1.77	8.40	1.93	8.95	2.09	10.05	2.44	11.15	2.82
	37	5.65	1.28	6.75	1.56	7.85	1.87	8.40	2.04	8.95	2.22	10.05	2.60	11.15	3.00
	39	5.65	1.35	6.75	1.65	7.85	1.99	8.40	2.17	8.95	2.36	10.05	2.76	11.15	3.19
	41	5.65	1.39	6.75	1.72	7.85	2.06	8.40	2.25	8.95	2.44	10.05	2.89	11.15	3.34
43	5.65	1.43	6.75	1.79	7.85	2.13	8.40	2.32	8.95	2.53	10.05	3.01	11.15	3.48	
45	5.65	1.50	6.75	1.88	7.85	2.22	8.40	2.41	8.95	2.66	10.05	3.14	11.15	3.68	
48	5.65	1.56	6.75	1.97	7.85	2.29	8.40	2.47	8.95	2.76	10.05	3.26	11.15	3.85	
50%	-5	4.73	0.64	5.65	0.74	6.55	0.85	7.00	0.89	7.45	0.94	8.35	1.07	9.30	1.15
	-2	4.73	0.64	5.65	0.75	6.55	0.86	7.00	0.90	7.45	0.96	8.35	1.08	9.30	1.17
	0	4.73	0.65	5.65	0.77	6.55	0.87	7.00	0.91	7.45	0.97	8.35	1.10	9.30	1.19
	2	4.73	0.66	5.65	0.78	6.55	0.89	7.00	0.93	7.45	0.98	8.35	1.10	9.30	1.21
	4	4.73	0.67	5.65	0.79	6.55	0.90	7.00	0.94	7.45	1.00	8.35	1.13	9.30	1.24
	6	4.73	0.68	5.65	0.80	6.55	0.91	7.00	0.96	7.45	1.02	8.35	1.15	9.30	1.28
	8	4.73	0.70	5.65	0.82	6.55	0.93	7.00	0.98	7.45	1.03	8.35	1.17	9.30	1.32
	10	4.73	0.71	5.65	0.83	6.55	0.94	7.00	1.00	7.45	1.06	8.35	1.20	9.30	1.34
	12	4.73	0.72	5.65	0.84	6.55	0.96	7.00	1.02	7.45	1.09	8.35	1.22	9.30	1.36
	14	4.73	0.73	5.65	0.85	6.55	0.97	7.00	1.04	7.45	1.10	8.35	1.24	9.30	1.38
	16	4.73	0.74	5.65	0.86	6.55	0.98	7.00	1.05	7.45	1.12	8.35	1.26	9.30	1.41
	18	4.73	0.75	5.65	0.87	6.55	1.00	7.00	1.07	7.45	1.14	8.35	1.28	9.30	1.43
	20	4.73	0.76	5.65	0.88	6.55	1.02	7.00	1.09	7.45	1.16	8.35	1.30	9.30	1.46
	21	4.73	0.77	5.65	0.89	6.55	1.03	7.00	1.10	7.45	1.17	8.35	1.32	9.30	1.47
	23	4.73	0.78	5.65	0.90	6.55	1.04	7.00	1.12	7.45	1.19	8.35	1.34	9.30	1.51
	25	4.73	0.79	5.65	0.92	6.55	1.06	7.00	1.14	7.45	1.23	8.35	1.41	9.30	1.61
	27	4.73	0.80	5.65	0.96	6.55	1.12	7.00	1.21	7.45	1.30	8.35	1.50	9.30	1.71
	29	4.73	0.85	5.65	1.01	6.55	1.19	7.00	1.29	7.45	1.39	8.35	1.60	9.30	1.83
	31	4.73	0.89	5.65	1.07	6.55	1.26	7.00	1.37	7.45	1.47	8.35	1.70	9.30	1.94
	33	4.73	0.95	5.65	1.13	6.55	1.34	7.00	1.45	7.45	1.56	8.35	1.80	9.30	2.07
	35	4.73	1.00	5.65	1.20	6.55	1.42	7.00	1.53	7.45	1.66	8.35	1.92	9.30	2.19
	37	4.73	1.05	5.65	1.27	6.55	1.50	7.00	1.62	7.45	1.76	8.35	2.03	9.30	2.33
	39	4.73	1.11	5.65	1.34	6.55	1.59	7.00	1.72	7.45	1.86	8.35	2.16	9.30	2.48
	41	4.73	1.16	5.65	1.39	6.55	1.64	7.00	1.80	7.45	1.94	8.35	2.27	9.30	2.59
43	4.73	1.24	5.65	1.49	6.55	1.70	7.00	1.88	7.45	1.99	8.35	2.39	9.30	2.71	
45	4.73	1.26	5.65	1.53	6.55	1.82	7.00	2.03	7.45	2.08	8.35	2.62	9.30	2.94	
48	4.73	1.29	5.65	1.57	6.55	1.92	7.00	2.15	7.45	2.17	8.35	2.83	9.30	3.16	

Note:

- 1, [] is tested under our standard condition.
- 2, In cooling mode, avoid the outdoor air temperature range from 42-46 degree C, when selecting the models.
- 3, The above table shows the average value of conditions may operate.
- 4, It is recommended to connect less than 130%.

Heating

Combination (%) (Capacity index)	Outdoor Air temperature (°C DB)		Indoor temperature(°C WB)											
			16		18		20		21		22		24	
			TC	PI	TC	PI	TC	PI	TC	PI	TC	PI	TC	PI
	°C DB	°C WB	kW	kW	kW	kW	kW	kW	kW	kW	kW	kW	kW	kW
130%	-19.8	-20	9.97	2.94	9.92	3.14	9.88	3.36	9.88	3.46	9.83	3.56	9.83	3.77
	-18.8	-19	10.12	3.00	10.07	3.21	10.07	3.41	10.02	3.52	10.02	3.61	9.97	3.82
	-16.7	-17	10.51	3.14	10.46	3.34	10.41	3.54	10.41	3.64	10.41	3.73	10.36	3.93
	-13.7	-15	10.95	3.29	10.90	3.48	10.85	3.67	10.85	3.76	10.80	3.86	10.80	4.05
	-11.8	-13	11.39	3.44	11.39	3.62	11.34	3.80	11.29	3.89	11.29	3.98	11.24	4.16
	-9.8	-11	11.93	3.59	11.88	3.76	11.83	3.93	11.83	4.02	11.83	4.11	11.78	4.28
	-9.5	-10	12.22	3.66	12.17	3.83	12.12	4.00	12.12	4.08	12.08	4.17	12.08	4.33
	-8.5	-9.1	12.47	3.73	12.42	3.89	12.42	4.06	12.37	4.14	12.37	4.22	12.32	4.39
	-7	-7.6	12.91	3.84	12.91	4.00	12.86	4.15	12.86	4.24	12.81	4.31	12.76	4.47
	-5	-5.6	13.59	3.98	13.54	4.13	13.49	4.28	13.49	4.36	13.44	4.43	13.44	4.58
	-3	-3.7	14.23	4.11	14.18	4.26	14.18	4.40	14.13	4.47	14.13	4.54	14.08	4.68
	0	-0.7	15.35	4.31	15.35	4.45	15.30	4.58	15.30	4.62	15.25	4.71	15.25	4.84
	3	2.2	16.57	4.49	16.52	4.61	16.48	4.74	16.48	4.80	16.48	4.86	16.43	4.98
	5	4.1	17.40	4.60	17.35	4.72	17.35	4.84	17.31	4.89	17.31	4.95	17.26	5.07
	7	6	18.28	4.71	18.24	4.82	18.24	4.93	18.19	4.99	18.19	5.04	17.45	4.84
	9	7.9	19.21	4.81	19.16	4.92	19.16	5.02	19.12	5.07	18.72	4.97	17.45	4.55
11	9.8	20.19	4.91	20.14	5.00	20.04	5.07	19.36	4.87	18.72	4.67	17.45	4.28	
13	11.8	21.27	5.00	21.22	5.09	20.04	4.75	19.36	4.56	18.72	4.38	17.45	4.02	
15	13.7	22.29	5.08	21.32	4.82	20.04	4.47	19.36	4.30	18.72	4.13	17.45	3.79	
120%	-19.8	-20	9.92	3.22	9.88	3.41	9.83	3.60	9.83	3.70	9.83	3.79	9.78	3.99
	-18.8	-19	10.07	3.28	10.02	3.47	10.02	3.66	9.97	3.75	9.97	3.85	9.92	4.04
	-16.7	-17	10.46	3.41	10.41	3.59	10.35	3.77	10.36	3.86	10.36	3.95	10.32	4.13
	-13.7	-15	10.90	3.54	10.85	3.72	10.81	3.89	10.81	3.98	10.81	4.07	10.76	4.24
	-11.8	-13	11.34	3.68	11.34	3.85	11.29	4.01	11.29	4.10	11.25	4.18	11.25	4.35
	-9.8	-11	11.88	3.82	11.83	3.98	11.83	4.14	11.78	4.22	11.78	4.30	11.73	4.46
	-9.5	-10	12.17	3.89	12.13	4.05	12.08	4.20	12.08	4.28	12.08	4.35	12.03	4.51
	-8.5	-9.1	12.42	3.95	12.37	4.10	12.37	4.25	12.32	4.33	12.32	4.41	12.27	4.56
	-7	-7.6	12.86	4.05	12.86	4.20	12.81	4.34	12.81	4.42	12.76	4.49	12.76	4.64
	-5	-5.6	13.54	4.18	13.49	4.32	13.44	4.46	13.44	4.53	13.44	4.60	13.40	4.74
	-3	-3.7	14.18	4.31	14.18	4.44	14.13	4.57	14.13	4.64	14.08	4.71	14.08	4.84
	0	-0.7	15.30	4.49	15.30	4.61	15.25	4.73	15.25	4.80	15.20	4.86	15.20	4.98
	3	2.2	16.53	4.66	16.48	4.77	16.48	4.88	16.43	4.94	16.43	5.00	16.08	4.97
	5	4.1	17.36	4.76	17.31	4.87	17.31	4.98	17.26	5.03	17.26	5.08	16.08	4.67
	7	6	18.24	4.86	18.24	4.96	18.19	5.06	17.89	4.99	17.31	4.79	16.08	4.39
	9	7.9	19.17	4.95	19.12	5.05	18.48	4.88	17.89	4.69	17.31	4.50	16.08	4.13
11	9.8	20.14	5.04	19.65	4.95	18.48	4.59	17.89	4.41	17.31	4.24	16.08	3.90	
13	11.8	20.88	4.99	19.65	4.65	18.48	4.31	17.89	4.14	17.31	3.98	16.08	3.66	
15	13.7	20.88	4.70	19.65	4.38	18.48	4.06	17.89	3.91	17.31	3.75	16.08	3.46	
110%	-19.8	-20	9.88	3.50	9.83	3.67	9.78	3.85	9.78	3.94	9.78	4.03	9.73	4.20
	-18.8	-19	10.02	3.56	9.97	3.73	9.97	3.90	9.97	3.99	9.92	4.07	9.92	4.25
	-16.7	-17	10.41	3.67	10.37	3.84	10.51	4.01	10.32	4.09	10.32	4.18	10.27	4.34
	-13.7	-15	10.85	3.80	10.81	3.96	10.76	4.12	10.76	4.20	10.76	4.28	10.71	4.44
	-11.8	-13	11.29	3.93	11.29	4.08	11.24	4.23	11.24	4.31	11.19	4.38	11.19	4.54
	-9.8	-11	11.83	4.05	11.78	4.20	11.78	4.34	11.73	4.42	11.73	4.49	11.73	4.64
	-9.5	-10	12.12	4.12	12.08	4.26	12.03	4.40	12.03	4.47	12.03	4.54	11.98	4.68
	-8.5	-9.1	12.37	4.17	12.32	4.31	12.32	4.45	12.27	4.52	12.27	4.59	12.27	4.19
	-7	-7.6	12.81	4.27	12.81	4.40	12.76	4.53	12.76	4.60	12.76	4.67	12.71	4.80
	-5	-5.6	13.49	4.39	13.44	4.52	13.40	4.64	13.40	4.71	13.40	4.77	13.35	4.90
	-3	-3.7	14.13	4.50	14.13	4.62	14.08	4.74	14.08	4.80	14.03	4.86	14.03	4.99
	0	-0.7	15.25	4.67	15.25	4.78	15.21	4.89	15.21	4.95	15.21	5.01	14.76	4.91
	3	2.2	16.48	4.82	16.43	4.93	16.43	5.03	16.38	5.08	15.84	4.87	14.76	4.47
	5	4.1	17.31	4.92	17.31	5.02	16.96	4.97	16.38	4.77	15.84	4.58	14.76	4.20
	7	6	18.19	5.01	18.04	5.04	16.96	4.67	16.38	4.48	15.84	4.31	14.76	3.95
	9	7.9	19.12	5.09	18.04	4.74	16.96	4.39	16.38	4.22	15.84	4.05	14.76	3.73
11	9.8	19.12	4.79	18.04	4.46	16.96	4.13	16.38	3.98	15.84	3.82	14.76	3.52	
13	11.8	19.12	4.49	18.04	4.18	16.96	3.88	16.38	3.74	15.84	3.59	14.76	3.31	
15	13.7	19.12	3.99	18.04	3.94	16.96	3.67	16.38	3.53	15.84	3.40	14.76	3.13	
100%	-19.8	-20	9.83	3.78	9.78	3.94	9.78	4.10	9.73	4.18	9.73	4.26	9.68	4.42
	-18.8	-19	9.97	3.83	9.97	3.99	9.92	4.14	9.92	4.22	9.88	4.31	9.88	4.46
	-16.7	-17	10.36	3.94	10.31	4.09	10.31	4.24	10.27	4.32	10.27	4.39	10.27	4.54

	-13.7	-15	10.80	4.05	10.76	4.20	10.71	4.34	10.71	4.42	10.71	4.49	10.66	4.64
	-11.8	-13	11.25	4.17	11.25	4.31	11.20	4.45	11.20	4.52	11.20	4.59	11.15	4.73
	-9.8	-11	11.78	4.28	11.73	4.42	11.73	4.55	11.73	4.62	11.68	4.68	11.68	4.81
	-9.5	-10	12.08	4.34	12.03	4.47	12.03	4.60	11.98	4.67	11.98	4.73	11.93	4.86
	-8.5	-9.1	12.32	4.39	12.27	4.52	12.27	4.65	12.27	4.71	12.22	4.78	12.22	4.90
	-7	-7.6	12.76	4.48	12.76	4.60	12.71	4.72	12.71	4.79	12.71	4.85	12.66	4.97
	-5	-5.6	13.44	4.59	13.39	4.71	13.39	4.82	13.35	4.88	13.35	4.94	13.30	5.06
	-3	-3.7	14.08	4.69	14.08	4.26	14.03	4.92	14.03	4.97	14.03	5.02	13.44	4.81
	0	-0.7	15.20	4.85	15.20	4.95	15.16	5.05	14.91	4.97	14.42	4.77	13.44	4.37
	3	2.2	16.43	4.99	16.38	5.08	15.40	4.70	14.91	4.52	14.42	4.34	13.44	3.98
	5	4.1	17.26	5.08	16.38	4.77	15.40	4.42	14.91	4.25	14.42	4.08	13.44	3.75
	7	6	17.36	4.82	16.38	4.48	15.40	4.16	14.91	4.00	14.42	3.85	13.44	3.54
	9	7.9	17.36	4.53	16.38	4.22	15.40	3.92	14.91	3.72	14.42	3.63	13.44	3.34
	11	9.8	17.36	4.26	16.38	3.98	15.40	3.70	14.91	3.55	14.42	3.42	13.44	3.15
	13	11.8	17.36	4.00	16.38	3.74	15.40	3.48	14.91	3.35	14.42	3.23	13.44	2.98
	15	13.7	17.36	3.78	16.38	3.53	15.40	3.28	14.91	3.17	14.42	3.05	13.44	2.82
90%	-19.8	-20	9.76	4.06	9.71	4.20	9.71	4.35	9.66	4.42	9.66	4.49	9.66	4.64
	-18.8	-19	9.91	4.11	9.91	4.25	9.86	4.39	9.86	4.46	9.86	4.53	9.81	4.67
	-16.7	-17	10.30	4.21	10.25	4.34	10.25	4.48	10.25	4.55	10.20	4.61	10.20	4.75
	-13.7	-15	10.74	4.31	10.69	4.44	10.69	4.57	10.64	4.64	10.64	4.70	10.64	4.83
	-11.8	-13	11.18	4.41	11.18	4.54	11.13	4.66	11.13	4.73	11.13	4.79	11.08	4.91
	-9.8	-11	11.71	4.52	11.71	4.64	11.66	4.75	11.66	4.81	11.66	4.88	11.61	5.00
	-9.5	-10	12.01	4.57	11.96	4.69	11.96	4.80	11.91	4.86	11.91	4.92	11.91	5.04
	-8.5	-9.1	12.25	4.62	12.25	4.73	12.20	4.85	12.20	4.90	12.20	4.96	12.05	5.01
	-7	-7.6	12.69	4.69	12.69	4.80	12.64	4.92	12.64	4.97	12.64	5.02	12.05	4.78
	-5	-5.6	13.37	4.80	13.32	4.90	13.32	5.00	13.27	5.06	12.93	4.90	12.05	4.49
	-3	-3.7	14.01	4.89	14.01	4.99	13.86	5.01	13.37	4.81	12.93	4.61	12.05	4.24
	0	-0.7	15.18	5.03	14.74	4.91	13.86	4.54	13.37	4.37	12.93	4.19	12.05	3.85
	3	2.2	15.62	4.79	14.74	4.46	13.86	4.14	13.37	3.98	12.93	3.83	12.05	3.52
	5	4.1	15.62	4.51	14.74	4.20	13.86	3.90	13.37	3.75	12.93	3.61	12.05	3.32
	7	6	15.62	4.24	14.74	3.95	13.86	3.67	13.37	3.54	12.93	3.40	12.05	3.14
9	7.9	15.62	3.99	14.74	3.72	13.86	3.46	13.37	3.34	12.93	3.21	12.05	2.97	
11	9.8	15.62	3.76	14.74	3.51	13.86	3.27	13.37	3.15	12.93	3.04	12.05	2.81	
13	11.8	15.62	3.54	14.74	3.31	13.86	3.08	13.37	2.98	12.93	2.87	12.05	2.65	
15	13.7	15.62	3.34	14.74	3.13	13.86	2.92	13.37	2.82	12.93	2.72	12.05	2.52	
80%	-19.8	-20	9.73	4.34	9.68	4.47	9.68	4.60	9.68	4.66	9.63	4.73	9.63	4.85
	-18.8	-19	9.88	4.38	9.88	4.51	9.83	4.64	9.83	4.70	9.83	4.76	9.78	4.89
	-16.7	-17	10.27	4.47	10.22	4.59	10.22	4.72	10.22	4.78	10.22	4.84	10.17	4.95
	-13.7	-15	10.71	4.57	10.66	4.68	10.66	4.80	10.66	4.85	10.61	4.91	10.61	5.03
	-11.8	-13	11.15	4.66	11.15	4.77	11.10	4.88	11.10	4.93	11.10	4.99	10.76	4.86
	-9.8	-11	11.68	4.75	11.68	4.86	11.64	4.96	11.64	5.01	11.54	5.00	10.76	4.59
	-9.5	-10	11.98	4.80	11.93	4.90	11.93	5.00	11.93	5.06	11.54	4.86	10.76	4.45
	-8.5	-9.1	12.22	4.84	11.36	4.94	12.17	5.04	11.93	4.93	11.54	4.73	10.76	4.33
	-7	-7.6	12.66	4.91	12.66	5.01	12.32	4.90	11.93	4.71	11.54	4.52	10.76	4.14
	-5	-5.6	13.35	5.00	13.10	4.97	12.32	4.60	11.93	4.42	11.54	4.25	10.76	3.90
	-3	-3.7	13.88	5.02	13.10	4.68	12.32	4.33	11.93	4.17	11.54	4.00	10.76	3.68
	0	-0.7	13.88	4.56	13.10	4.25	12.32	3.94	11.93	3.80	11.54	3.65	10.76	3.36
	3	2.2	13.88	4.15	13.10	3.87	12.32	3.60	11.93	3.47	11.54	3.34	10.76	3.08
	5	4.1	13.88	3.91	13.10	3.65	12.32	3.40	11.93	3.27	11.54	3.16	10.76	2.91
	7	6	13.88	3.68	13.10	3.45	12.32	3.21	11.93	3.10	11.54	2.98	10.76	2.76
9	7.9	13.88	3.48	13.10	3.25	12.32	3.03	11.93	2.92	11.54	2.82	10.76	2.61	
11	9.8	13.88	3.28	13.10	3.07	12.32	2.87	11.93	2.77	11.54	2.67	10.76	2.47	
13	11.8	13.88	3.10	13.10	2.90	12.32	2.71	11.93	2.61	11.54	2.52	10.76	2.34	
15	13.7	13.88	2.93	13.10	2.75	12.32	2.57	11.93	2.48	11.54	2.39	10.76	2.23	
70%	-19.8	-20	9.66	4.62	9.61	4.73	9.61	4.85	9.61	4.90	9.61	4.96	9.37	4.91
	-18.8	-19	9.80	4.66	9.80	4.77	9.76	4.88	9.76	4.93	9.76	4.99	9.37	4.80
	-16.7	-17	10.19	4.74	10.19	4.85	10.15	4.95	10.15	5.00	10.05	4.46	9.37	4.58
	-13.7	-15	10.63	4.82	10.58	4.92	10.58	5.02	10.39	4.95	10.05	4.75	9.37	4.35
	-11.8	-13	11.07	4.90	11.07	5.00	10.78	4.88	10.39	4.69	10.05	4.50	9.37	4.13
	-9.8	-11	11.61	4.98	11.46	4.98	10.78	4.61	10.39	4.43	10.05	4.25	9.37	3.91
	-9.5	-10	11.90	5.02	11.46	4.83	10.78	4.47	10.39	4.30	10.05	4.13	9.37	3.80

70%	-8.5	-9.1	12.15	5.05	11.46	4.70	10.78	4.35	10.39	4.19	10.05	4.02	9.37	3.70
	-7	-7.6	12.15	4.82	11.46	4.49	10.78	4.17	10.39	4.01	10.05	3.85	9.37	3.54
	-5	-5.6	12.15	4.53	11.46	4.22	10.78	3.92	10.39	3.77	10.05	4.45	9.37	3.34
	-3	-3.7	12.15	4.27	11.46	3.98	10.78	3.70	10.39	3.56	10.05	3.43	9.37	3.16
	0	-0.7	12.15	3.88	11.46	3.63	10.78	3.38	10.39	3.25	10.05	3.13	9.37	2.90
	3	2.2	12.15	3.55	11.46	3.32	10.78	3.10	10.39	2.98	10.05	2.87	9.37	2.66
	5	4.1	12.15	3.35	11.46	3.13	10.78	2.93	10.39	2.82	10.05	2.72	9.37	2.52
	7	6	12.15	3.17	11.46	2.97	10.78	2.77	10.39	2.67	10.05	2.58	9.37	2.39
	9	7.9	12.15	2.99	11.46	2.80	10.78	2.62	10.39	2.53	10.05	2.44	9.37	2.26
	11	9.8	12.15	2.83	11.46	2.65	10.78	2.48	10.39	2.40	10.05	2.32	9.37	2.15
	13	11.8	12.15	2.67	11.46	2.51	10.78	2.35	10.39	2.27	10.05	2.19	9.37	2.04
	15	13.7	12.15	2.53	11.46	2.38	10.78	2.23	10.39	2.16	10.05	2.09	9.37	1.94
60%	-19.8	-20	9.63	4.91	9.58	5.00	9.24	4.81	8.95	4.62	8.65	4.44	8.07	4.07
	-18.8	-19	9.78	4.94	9.78	5.03	9.24	4.71	8.95	4.52	8.65	4.34	8.07	3.98
	-16.7	-17	10.17	5.00	9.83	4.85	9.24	4.49	8.95	4.32	8.65	4.14	8.07	3.81
	-13.7	-15	10.41	4.95	9.83	4.60	9.24	4.27	8.95	4.11	8.65	3.94	8.07	3.62
	-11.8	-13	10.41	4.68	9.83	4.36	9.24	4.05	8.95	3.90	8.65	3.74	8.07	3.46
	-9.8	-11	10.41	4.42	9.83	4.12	9.24	3.83	8.95	3.68	8.65	3.54	8.07	3.27
	-9.5	-10	10.41	4.30	9.83	4.01	9.24	3.72	8.95	3.59	8.65	3.45	8.07	3.18
	-8.5	-9.1	10.41	4.19	9.83	3.91	9.24	3.63	8.95	3.50	8.65	3.36	8.07	3.10
	-7	-7.6	10.41	4.00	9.83	3.74	9.24	3.47	8.95	3.35	8.65	3.22	8.07	2.98
	-5	-5.6	10.41	3.77	9.83	3.52	9.24	3.28	8.95	3.16	8.65	3.04	8.07	2.81
	-3	-3.7	10.41	3.56	9.83	3.33	9.24	3.10	8.95	2.99	8.65	2.88	8.07	2.66
	0	-0.7	10.41	3.25	9.83	3.05	9.24	2.84	8.95	2.74	8.65	2.64	8.07	2.45
	3	2.2	10.41	2.98	9.83	2.80	9.24	2.61	8.95	2.52	8.65	2.44	8.07	2.26
	5	4.1	10.41	2.82	9.83	2.65	9.24	2.47	8.95	2.39	8.65	2.31	8.07	2.14
	7	6	10.41	2.67	9.83	2.51	9.24	2.34	8.95	2.27	8.65	2.19	8.07	2.04
	9	7.9	10.41	2.53	9.83	2.38	9.24	2.23	8.95	2.16	8.65	2.08	8.07	1.94
11	9.8	10.41	2.40	9.83	2.26	9.24	2.12	8.95	2.05	8.65	1.98	8.07	1.85	
13	11.8	10.41	2.27	9.83	2.14	9.24	2.01	8.95	1.95	8.65	1.88	8.07	1.76	
15	13.7	10.41	2.16	9.83	2.03	9.24	1.91	8.95	1.85	8.65	1.79	8.07	1.67	
50%	-19.8	-20	8.67	4.46	8.19	4.15	7.70	3.86	7.41	3.72	7.16	3.57	6.68	3.29
	-18.8	-19	8.67	4.36	8.19	4.07	7.70	3.78	7.41	3.64	7.16	3.50	6.68	3.23
	-16.7	-17	8.67	4.17	8.19	3.88	7.70	3.61	7.41	3.48	7.16	3.35	6.68	3.09
	-13.7	-15	8.67	3.97	8.19	3.70	7.70	3.44	7.41	3.32	7.16	3.19	6.68	2.95
	-11.8	-13	8.67	3.77	8.19	3.52	7.70	3.27	7.41	3.15	7.16	3.04	6.68	2.81
	-9.8	-11	8.67	3.57	8.19	3.33	7.70	3.11	7.41	2.99	7.16	2.88	6.68	2.67
	-9.5	-10	8.67	3.47	8.19	3.24	7.70	3.03	7.41	2.92	7.16	2.81	6.68	2.60
	-8.5	-9.1	8.67	3.38	8.19	3.17	7.70	2.95	7.41	2.85	7.16	2.74	6.68	2.54
	-7	-7.6	8.67	3.24	8.19	3.04	7.70	2.83	7.41	2.73	7.16	2.64	6.68	2.44
	-5	-5.6	8.67	3.06	8.19	2.87	7.70	2.68	7.41	2.59	7.16	2.50	6.68	2.31
	-3	-3.7	8.67	2.90	8.19	2.72	7.70	2.54	7.41	2.45	7.16	2.37	6.68	2.20
	0	-0.7	8.67	2.66	8.19	2.50	7.70	2.34	7.41	2.26	7.16	2.18	6.68	2.03
	3	2.2	8.67	2.45	8.19	2.30	7.70	2.16	7.41	2.09	7.16	2.01	6.68	1.88
	5	4.1	8.67	2.32	8.19	2.18	7.70	2.05	7.41	1.98	7.16	1.92	6.68	1.79
	7	6	8.67	2.20	8.19	2.07	7.70	1.95	7.41	1.89	7.16	1.83	6.68	1.71
	9	7.9	8.67	2.09	8.19	1.97	7.70	1.85	7.41	1.80	7.16	1.74	6.68	1.63
11	9.8	8.67	1.99	8.19	1.87	7.70	1.77	7.41	1.71	7.16	1.66	6.68	1.55	
13	11.8	8.67	1.89	8.19	1.78	7.70	1.68	7.41	1.63	7.16	1.58	6.68	1.48	
15	13.7	8.67	1.80	8.19	1.70	7.70	1.60	7.41	1.56	7.16	1.51	6.68	1.42	

Note:

- 1, [redacted] is tested under our standard condition.
- 2, In heating mode, avoid the outdoor air temperature range from -15 to -20 degree C, when selecting the models.
- 3, The above table shows the average value of conditions may operate.
- 4, It is recommended to connect less than 130%.

MDV-V160W/DRN1

Cooling

Combination (%) (Capacity index)	Outdoor temperature (°C DB)	Indoor temperature (°C DB/WD)													
		DB:20.8,WB:		DB:23.3,WB:		DB:25.8,WB:		DB:27,WB:1		DB:28.2,WB:2		DB:30.7,WB:		DB:32,WB:2	
		TC kW	PI kW	TC kW	PI kW	TC kW	PI kW	TC kW	PI kW	TC kW	PI kW	TC kW	PI kW	TC kW	PI kW
130%	-5	13.62	1.85	16.22	2.26	18.82	2.42	19.54	2.52	20.48	2.59	20.98	2.81	21.51	2.83
	-2	13.62	1.85	16.22	2.30	18.82	2.42	19.54	2.53	20.48	2.59	20.98	2.85	21.51	2.86
	0	13.62	1.88	16.22	2.34	18.82	2.51	19.54	2.67	20.48	2.74	20.98	2.88	21.51	2.90
	2	13.62	1.91	16.22	2.34	18.82	2.59	19.54	2.82	20.48	2.77	20.98	2.90	21.51	2.94
	4	13.62	1.96	16.22	2.39	18.82	2.68	19.54	2.83	20.48	2.80	20.98	2.90	21.51	3.00
	6	13.62	1.99	16.22	2.44	18.82	2.78	19.54	2.86	20.25	2.89	20.72	2.90	21.27	3.02
	8	13.62	2.04	16.22	2.49	18.82	2.92	19.54	2.99	20.00	2.99	20.50	3.90	21.00	3.05
	10	13.62	2.08	16.22	2.55	18.82	3.03	19.54	3.09	19.76	4.04	20.26	4.06	20.76	3.14
	12	13.62	2.12	16.22	2.60	18.82	3.09	19.26	4.03	19.54	4.06	19.98	4.07	20.48	3.16
	14	13.62	2.16	16.22	2.64	18.77	4.05	19.04	4.06	19.26	4.08	19.76	4.09	20.26	3.23
	16	13.62	2.20	16.22	2.70	18.54	4.06	18.77	4.08	18.99	4.10	19.49	4.12	19.98	3.28
	18	13.62	2.24	16.22	2.75	18.27	3.23	18.49	3.25	18.77	3.27	19.26	3.30	19.76	3.33
	20	13.62	2.29	16.22	2.93	17.99	3.39	18.27	3.41	18.49	3.42	18.99	3.45	19.49	3.49
	21	13.62	2.35	16.22	3.03	17.88	3.47	18.16	3.48	18.38	3.50	18.88	3.54	19.37	3.57
	23	13.62	2.52	16.22	3.25	17.66	3.62	17.88	3.64	18.10	3.66	18.60	3.70	19.10	3.73
	25	13.62	2.69	16.22	3.48	17.38	3.78	17.60	3.80	17.88	3.83	18.38	3.86	18.88	3.90
	27	13.62	2.88	16.22	3.73	17.16	3.94	17.38	3.97	17.60	3.98	18.10	4.03	18.60	4.07
	29	13.62	3.07	16.22	3.98	16.88	4.10	17.10	4.12	17.38	4.15	17.88	4.19	18.38	4.23
	31	13.62	3.28	16.16	4.22	16.61	4.26	16.88	4.29	17.10	4.31	17.60	4.36	18.10	4.40
	33	13.62	3.49	15.89	4.37	16.39	4.42	16.61	4.45	16.88	4.47	17.38	4.52	17.82	4.57
	35	13.62	3.72	15.61	4.53	16.11	4.59	16.39	4.61	16.61	4.64	17.10	4.69	17.60	4.74
37	13.62	3.96	15.39	4.70	15.89	4.75	16.11	4.78	16.39	4.81	16.83	4.86	17.33	4.92	
39	13.62	4.22	15.11	4.75	15.61	4.91	15.89	4.94	16.11	4.97	16.61	5.03	17.10	5.09	
41	13.62	4.44	14.96	4.79	15.45	4.96	15.72	4.99	15.94	5.02	16.44	5.04	16.45	5.13	
43	13.62	4.55	14.85	4.82	15.36	4.97	15.64	5.01	15.78	5.02	16.14	5.05	16.25	5.14	
45	13.62	4.78	14.75	4.86	15.20	5.02	15.48	5.04	15.55	5.05	15.71	5.06	15.93	5.24	
48	13.62	4.95	15.28	5.02	16.57	5.06	16.88	5.09	17.01	5.10	16.94	5.15	17.25	5.16	
120%	-5	12.57	1.78	14.95	2.16	17.38	2.56	18.60	2.79	19.49	2.91	19.93	3.00	20.37	3.08
	-2	12.57	1.80	14.95	2.18	17.38	2.58	18.60	2.80	19.49	2.94	19.93	3.02	20.37	3.09
	0	12.57	1.82	14.95	2.20	17.38	2.61	18.60	2.81	19.49	2.97	19.93	3.04	20.37	3.10
	2	12.57	1.82	14.95	2.22	17.38	2.63	18.60	2.84	19.49	2.98	19.93	3.06	20.37	3.10
	4	12.57	1.84	14.95	2.25	17.38	2.67	18.60	2.86	19.49	3.02	19.93	3.07	20.37	3.11
	6	12.57	1.86	14.95	2.27	17.38	2.70	18.60	2.90	19.49	3.05	19.93	3.10	20.37	3.12
	8	12.57	1.88	14.95	2.29	17.38	2.73	18.60	2.93	19.49	3.08	19.93	3.11	20.37	3.13
	10	12.57	1.90	14.95	2.32	17.38	2.76	18.60	2.98	19.49	3.08	19.93	3.12	20.37	3.15
	12	12.57	1.94	14.95	2.36	17.38	2.81	18.60	3.04	19.21	3.10	19.65	3.10	20.09	3.17
	14	12.57	1.97	14.95	2.41	17.38	2.87	18.60	3.10	18.93	3.12	19.43	3.14	19.87	3.21
	16	12.57	2.01	14.95	2.46	17.38	2.92	18.49	4.10	18.71	3.16	19.15	3.20	19.60	3.26
	18	12.57	2.05	14.95	2.51	17.38	3.02	18.21	3.23	18.43	3.24	18.88	3.27	19.37	3.30
	20	12.57	2.09	14.95	2.61	17.38	3.25	17.99	3.39	18.21	3.40	18.66	3.43	19.10	3.46
	21	12.57	2.11	14.95	2.70	17.38	3.37	17.82	3.47	18.05	3.48	18.54	3.51	18.99	3.55
	23	12.57	2.25	14.95	2.89	17.38	3.61	17.60	3.62	17.82	3.64	18.27	3.67	18.71	3.70
	25	12.57	2.41	14.95	3.09	17.10	3.76	17.33	3.78	17.55	3.80	18.05	3.83	18.49	3.87
	27	12.57	2.57	14.95	3.31	16.88	3.92	17.10	3.94	17.33	3.96	17.77	4.00	18.21	4.03
	29	12.57	2.74	14.95	3.53	16.61	4.08	16.83	4.10	17.05	4.12	17.49	4.16	17.99	4.20
	31	12.57	2.92	14.95	3.77	16.33	4.24	16.61	4.26	16.83	4.28	17.27	4.32	17.71	4.37
	33	12.57	3.11	14.95	4.02	16.11	4.40	16.33	4.42	16.55	4.44	16.99	4.49	17.44	4.53
	35	12.57	3.31	14.95	4.29	15.83	4.56	16.05	4.58	16.33	4.61	16.77	4.65	17.22	4.70
37	12.57	3.53	14.95	4.57	15.61	4.72	15.83	4.75	16.05	4.77	16.50	4.82	16.94	4.87	
39	12.57	3.75	14.89	4.82	15.33	4.88	15.56	4.91	15.78	4.93	16.27	4.99	16.72	5.04	
41	12.57	3.86	14.77	4.86	15.21	4.91	15.44	4.94	15.66	4.97	16.15	5.00	16.24	5.08	
43	12.57	3.91	14.69	4.89	15.09	4.94	15.31	4.96	15.54	4.99	15.87	5.02	15.98	5.18	
45	12.57	3.96	14.61	4.94	14.95	4.99	15.15	5.01	15.40	5.03	15.55	5.03	15.82	5.29	
48	14.56	3.99	16.78	4.99	17.10	5.03	17.28	5.05	17.65	5.07	17.74	5.05	18.09	5.36	
110%	-5	11.51	1.56	13.73	1.94	15.94	2.31	17.05	2.48	18.16	2.67	19.54	2.78	19.99	2.86
	-2	11.51	1.59	13.73	1.97	15.94	2.33	17.05	2.51	18.16	2.69	19.54	2.80	19.99	2.88
	0	11.51	1.60	13.73	1.98	15.94	2.35	17.05	2.53	18.16	2.72	19.54	2.83	19.99	2.91
	2	11.51	1.64	13.73	2.00	15.94	2.39	17.05	2.55	18.16	2.75	19.54	2.87	19.99	2.95

Capacity table

	4	11.51	1.67	13.73	2.02	15.94	2.41	17.05	2.58	18.16	2.80	19.54	2.91	19.99	2.98
	6	11.51	1.69	13.73	2.04	15.94	2.44	17.05	2.63	18.16	2.83	19.54	2.94	19.99	3.02
	8	11.51	1.70	13.73	2.07	15.94	2.46	17.05	2.65	18.16	2.86	19.54	2.96	19.99	3.05
	10	11.51	1.72	13.73	2.10	15.94	2.50	17.05	2.70	18.16	2.91	19.54	2.98	19.99	3.08
	12	11.51	1.76	13.73	2.14	15.94	2.55	17.05	2.75	18.16	2.96	19.32	3.03	19.71	3.12
	14	11.51	1.79	13.73	2.18	15.94	2.60	17.05	2.80	18.16	3.02	19.04	3.05	19.49	3.14
	16	11.51	1.82	13.73	2.22	15.94	2.64	17.05	2.86	18.16	3.08	18.82	3.09	19.21	3.18
	18	11.51	1.86	13.73	2.27	15.94	2.70	17.05	2.94	18.16	3.22	18.54	3.25	18.99	3.28
	20	11.51	1.89	13.73	2.31	15.94	2.86	17.05	3.16	17.88	3.38	18.32	3.41	18.71	3.44
	21	11.51	1.91	13.73	2.38	15.94	2.96	17.05	3.27	17.77	3.46	18.16	3.48	18.60	3.51
	23	11.51	2.00	13.73	2.55	15.94	3.17	17.05	3.51	17.49	3.61	17.94	3.65	18.32	3.68
	25	11.51	2.14	13.73	2.73	15.94	3.39	17.05	3.76	17.27	3.77	17.66	3.81	18.10	3.84
	27	11.51	2.28	13.73	2.92	15.94	3.63	16.77	3.92	17.00	3.93	17.44	3.97	17.83	4.00
	29	11.51	2.43	13.73	3.11	15.94	3.88	16.55	4.08	16.77	4.09	17.16	4.13	17.60	4.17
	31	11.51	2.59	13.73	3.32	15.94	4.14	16.28	4.23	16.50	4.25	16.94	4.29	17.33	4.33
	33	11.51	2.75	13.73	3.54	15.83	4.37	16.05	4.39	16.28	4.41	16.66	4.45	17.11	4.50
	35	11.51	2.93	13.73	3.77	15.56	4.53	15.78	4.55	16.00	4.58	16.39	4.62	16.83	4.66
	37	11.51	3.12	13.73	4.01	15.33	4.69	15.56	4.71	15.72	4.73	16.17	4.78	16.55	4.82
	39	11.51	3.31	13.73	4.28	15.06	4.85	15.28	4.87	15.50	4.90	15.89	4.95	16.33	5.00
	41	11.51	3.35	13.73	4.31	14.94	4.88	15.16	4.91	15.38	4.93	15.69	4.98	15.84	5.03
	43	11.51	3.38	13.73	4.37	14.82	4.92	15.04	4.94	15.26	4.97	15.55	5.00	15.60	5.13
	45	11.51	3.49	13.73	4.39	14.67	4.96	14.88	5.00	15.13	5.01	15.39	5.14	15.45	5.25
	48	12.61	3.61	15.04	4.76	15.83	5.00	16.04	5.04	16.38	5.06	16.58	5.15	16.70	5.31
100%	-5	10.46	1.42	12.46	1.71	14.50	2.03	15.50	2.18	16.50	2.36	18.54	2.69	19.60	2.81
	-2	10.46	1.44	12.46	1.73	14.50	2.06	15.50	2.22	16.50	2.40	18.54	2.73	19.60	2.83
	0	10.46	1.45	12.46	1.75	14.50	2.08	15.50	2.25	16.50	2.42	18.54	2.77	19.60	2.86
	2	10.46	1.48	12.46	1.77	14.50	2.10	15.50	2.28	16.50	2.45	18.54	2.81	19.60	2.91
	4	10.46	1.49	12.46	1.79	14.50	2.13	15.50	2.31	16.50	2.48	18.54	2.84	19.60	2.94
	6	10.46	1.51	12.46	1.83	14.50	2.16	15.50	2.35	16.50	2.51	18.54	2.88	19.60	2.98
	8	10.46	1.54	12.46	1.85	14.50	2.20	15.50	2.38	16.50	2.55	18.54	2.92	19.60	3.03
	10	10.46	1.56	12.46	1.89	14.50	2.24	15.50	2.42	16.50	2.60	18.54	2.97	19.60	3.08
	12	10.46	1.58	12.46	1.93	14.50	2.28	15.50	2.46	16.50	2.65	18.54	3.03	19.32	3.10
	14	10.46	1.61	12.46	1.96	14.50	2.32	15.50	2.51	16.50	2.70	18.54	3.09	19.10	3.14
	16	10.46	1.64	12.46	2.00	14.50	2.37	15.50	2.56	16.50	2.75	18.43	3.13	18.82	3.17
	18	10.46	1.68	12.46	2.03	14.50	2.41	15.50	2.61	16.50	2.81	18.21	3.23	18.60	3.25
	20	10.46	1.71	12.46	2.08	14.50	2.49	15.50	2.74	16.50	3.01	17.94	3.38	18.32	3.41
	21	10.46	1.72	12.46	2.10	14.50	2.58	15.50	2.84	16.50	3.11	17.83	3.46	18.21	3.49
	23	10.46	1.77	12.46	2.24	14.50	2.76	15.50	3.04	16.50	3.34	17.60	3.62	17.94	3.65
	25	10.46	1.88	12.46	2.39	14.50	2.95	15.50	3.26	16.50	3.58	17.33	3.78	17.71	3.81
	27	10.46	2.01	12.46	2.55	14.50	3.16	15.50	3.48	16.50	3.83	17.05	3.94	17.44	3.97
	29	10.46	2.14	12.46	2.72	14.50	3.37	15.50	3.72	16.44	4.06	16.83	4.10	17.22	4.13
	31	10.46	2.28	12.46	2.90	14.50	3.59	15.50	3.97	16.22	4.22	16.55	4.26	16.94	4.29
	33	10.46	2.42	12.46	3.09	14.50	3.83	15.50	4.24	15.94	4.38	16.33	4.42	16.72	4.46
	35	10.46	2.57	12.46	3.28	14.50	4.09	15.50	4.52	15.67	4.54	16.05	4.58	16.44	4.62
	37	10.46	2.74	12.46	3.50	14.50	4.36	15.22	4.68	15.44	4.70	15.83	4.74	16.16	4.78
39	10.46	2.91	12.46	3.72	14.50	4.64	15.00	4.84	15.17	4.86	15.56	4.90	15.94	4.95	
41	10.46	3.04	12.46	3.85	14.50	4.81	14.77	4.87	15.05	4.94	15.29	5.02	15.71	5.05	
43	10.46	3.18	12.46	3.99	14.50	4.89	14.54	4.93	14.94	4.98	15.38	5.05	15.43	5.11	
45	10.46	3.36	12.46	4.17	14.50	4.98	14.23	5.00	14.86	5.07	15.25	5.13	15.12	5.18	
48	10.84	3.51	12.90	4.31	15.02	4.99	14.13	5.05	15.37	5.16	14.83	5.18	15.32	5.23	
90%	-5	9.41	1.26	11.24	1.51	13.06	1.78	13.95	1.94	14.84	2.06	16.66	2.37	18.49	2.72
	-2	9.41	1.27	11.24	1.52	13.06	1.80	13.95	1.97	14.84	2.09	16.66	2.39	18.49	2.74
	0	9.41	1.29	11.24	1.54	13.06	1.83	13.95	1.99	14.84	2.11	16.66	2.42	18.49	2.76
	2	9.41	1.31	11.24	1.56	13.06	1.85	13.95	2.02	14.84	2.15	16.66	2.47	18.49	2.80
	4	9.41	1.33	11.24	1.58	13.06	1.88	13.95	2.05	14.84	2.17	16.66	2.51	18.49	2.84
	6	9.41	1.34	11.24	1.61	13.06	1.91	13.95	2.09	14.84	2.21	16.66	2.55	18.49	2.89
	8	9.41	1.37	11.24	1.65	13.06	1.95	13.95	2.11	14.84	2.25	16.66	2.60	18.49	2.92
	10	9.41	1.39	11.24	1.68	13.06	1.99	13.95	2.14	14.84	2.30	16.66	2.63	18.49	2.97
	12	9.41	1.42	11.24	1.71	13.06	2.02	13.95	2.18	14.84	2.35	16.66	2.68	18.49	3.02
	14	9.41	1.44	11.24	1.74	13.06	2.06	13.95	2.22	14.84	2.39	16.66	2.73	18.49	3.08
	16	9.41	1.47	11.24	1.77	13.06	2.10	13.95	2.27	14.84	2.44	16.66	2.78	18.43	3.13
	18	9.41	1.49	11.24	1.81	13.06	2.14	13.95	2.31	14.84	2.49	16.66	2.84	18.21	3.23
	20	9.41	1.52	11.24	1.85	13.06	2.18	13.95	2.36	14.84	2.58	16.66	3.05	17.94	3.38
	21	9.41	1.54	11.24	1.86	13.06	2.22	13.95	2.44	14.84	2.67	16.66	3.16	17.83	3.46

90%	23	9.41	1.57	11.24	1.94	13.06	2.38	13.95	2.61	14.84	2.86	16.66	3.39	17.55	3.62
	25	9.41	1.65	11.24	2.07	13.06	2.54	13.95	2.80	14.84	3.06	16.66	3.63	17.33	3.78
	27	9.41	1.75	11.24	2.21	13.06	2.71	13.95	2.98	14.84	3.27	16.66	3.89	17.05	3.93
	29	9.41	1.87	11.24	2.35	13.06	2.89	13.95	3.19	14.84	3.50	16.50	4.06	16.83	4.09
	31	9.41	1.99	11.24	2.50	13.06	3.08	13.95	3.40	14.84	3.73	16.22	4.22	16.55	4.26
	33	9.41	2.11	11.24	2.66	13.06	3.29	13.95	3.62	14.84	3.98	16.00	4.39	16.33	4.42
	35	9.41	2.24	11.24	2.83	13.06	3.50	13.95	3.86	14.84	4.24	15.72	4.54	16.05	4.58
	37	9.41	2.38	11.24	3.01	13.06	3.73	13.95	4.11	14.84	4.52	15.44	4.70	15.83	4.74
	39	9.41	2.52	11.24	3.20	13.06	3.97	13.95	4.38	14.84	4.81	15.22	4.87	15.56	4.90
	41	9.41	2.61	11.24	3.35	13.06	4.11	13.95	4.50	14.84	4.84	15.12	4.99	15.45	5.02
	43	9.41	2.73	11.24	3.49	13.06	4.26	13.95	4.61	14.84	4.94	15.04	5.06	15.32	5.10
	45	9.41	2.91	11.24	3.67	13.06	4.43	13.95	4.77	14.84	5.08	14.96	5.11	15.08	5.17
48	9.41	3.07	11.24	3.84	13.06	4.60	13.95	4.83	14.84	5.13	16.48	5.18	16.31	5.24	
80%	-5	8.36	1.11	9.96	1.31	11.57	1.55	12.40	1.65	13.23	1.77	14.84	2.05	16.44	2.34
	-2	8.36	1.12	9.96	1.32	11.57	1.56	12.40	1.67	13.23	1.79	14.84	2.07	16.44	2.36
	0	8.36	1.14	9.96	1.34	11.57	1.58	12.40	1.69	13.23	1.82	14.84	2.10	16.44	2.39
	2	8.36	1.16	9.96	1.36	11.57	1.60	12.40	1.72	13.23	1.85	14.84	2.14	16.44	2.44
	4	8.36	1.18	9.96	1.38	11.57	1.63	12.40	1.76	13.23	1.89	14.84	2.18	16.44	2.47
	6	8.36	1.20	9.96	1.42	11.57	1.66	12.40	1.80	13.23	1.92	14.84	2.21	16.44	2.51
	8	8.36	1.23	9.96	1.45	11.57	1.70	12.40	1.83	13.23	1.96	14.84	2.24	16.44	2.56
	10	8.36	1.24	9.96	1.48	11.57	1.74	12.40	1.88	13.23	2.01	14.84	2.30	16.44	2.59
	12	8.36	1.26	9.96	1.50	11.57	1.77	12.40	1.91	13.23	2.05	14.84	2.34	16.44	2.64
	14	8.36	1.28	9.96	1.54	11.57	1.80	12.40	1.94	13.23	2.09	14.84	2.38	16.44	2.69
	16	8.36	1.30	9.96	1.56	11.57	1.84	12.40	1.98	13.23	2.13	14.84	2.43	16.44	2.74
	18	8.36	1.32	9.96	1.59	11.57	1.88	12.40	2.02	13.23	2.17	14.84	2.48	16.44	2.79
	20	8.36	1.35	9.96	1.62	11.57	1.91	12.40	2.06	13.23	2.21	14.84	2.57	16.44	2.98
	21	8.36	1.36	9.96	1.63	11.57	1.93	12.40	2.08	13.23	2.26	14.84	2.66	16.44	3.09
	23	8.36	1.38	9.96	1.67	11.57	2.02	12.40	2.22	13.23	2.42	14.84	2.85	16.44	3.32
	25	8.36	1.43	9.96	1.77	11.57	2.16	12.40	2.37	13.23	2.58	14.84	3.05	16.44	3.55
	27	8.36	1.52	9.96	1.89	11.57	2.30	12.40	2.53	13.23	2.76	14.84	3.26	16.44	3.80
	29	8.36	1.61	9.96	2.01	11.57	2.46	12.40	2.69	13.23	2.95	14.84	3.48	16.44	4.06
	31	8.36	1.71	9.96	2.14	11.57	2.61	12.40	2.87	13.23	3.14	14.84	3.72	16.16	4.22
	33	8.36	1.82	9.96	2.27	11.57	2.78	12.40	3.06	13.23	3.34	14.84	3.96	15.94	4.38
35	8.36	1.93	9.96	2.42	11.57	2.96	12.40	3.25	13.23	3.56	14.84	4.22	15.67	4.54	
37	8.36	2.05	9.96	2.56	11.57	3.15	12.40	3.47	13.23	3.80	14.84	4.50	15.44	4.70	
39	8.36	2.17	9.96	2.74	11.57	3.35	12.40	3.69	13.23	4.04	14.84	4.79	15.17	4.86	
41	8.36	2.22	9.96	2.76	11.57	3.40	12.40	3.78	13.23	4.11	14.84	4.92	15.07	4.95	
43	8.36	2.28	9.96	2.78	11.57	3.45	12.40	3.85	13.23	4.17	14.84	4.97	14.98	5.00	
45	8.36	2.35	9.96	2.82	11.57	3.51	12.40	3.93	13.23	4.24	14.84	5.03	14.80	5.08	
48	8.36	2.42	9.96	2.84	13.02	3.57	12.40	3.98	13.23	4.28	14.84	5.08	16.51	5.15	
70%	-5	7.31	0.99	8.75	1.16	10.13	1.31	10.85	1.41	11.57	1.50	12.95	1.72	14.39	1.97
	-2	7.31	1.00	8.75	1.16	10.13	1.32	10.85	1.43	11.57	1.53	12.95	1.74	14.39	2.00
	0	7.31	1.00	8.75	1.18	10.13	1.35	10.85	1.46	11.57	1.56	12.95	1.78	14.39	2.03
	2	7.31	1.01	8.75	1.18	10.13	1.37	10.85	1.49	11.57	1.58	12.95	1.82	14.39	2.06
	4	7.31	1.02	8.75	1.21	10.13	1.40	10.85	1.51	11.57	1.62	12.95	1.85	14.39	2.11
	6	7.31	1.04	8.75	1.24	10.13	1.43	10.85	1.56	11.57	1.66	12.95	1.88	14.39	2.15
	8	7.31	1.05	8.75	1.27	10.13	1.47	10.85	1.59	11.57	1.69	12.95	1.93	14.39	2.19
	10	7.31	1.08	8.75	1.29	10.13	1.50	10.85	1.62	11.57	1.74	12.95	1.97	14.39	2.22
	12	7.31	1.10	8.75	1.31	10.13	1.54	10.85	1.65	11.57	1.77	12.95	2.01	14.39	2.26
	14	7.31	1.12	8.75	1.33	10.13	1.56	10.85	1.68	11.57	1.80	12.95	2.05	14.39	2.30
	16	7.31	1.14	8.75	1.36	10.13	1.59	10.85	1.71	11.57	1.83	12.95	2.08	14.39	2.35
	18	7.31	1.16	8.75	1.38	10.13	1.62	10.85	1.74	11.57	1.86	12.95	2.13	14.39	2.39
	20	7.31	1.18	8.75	1.41	10.13	1.65	10.85	1.77	11.57	1.90	12.95	2.17	14.39	2.46
	21	7.31	1.19	8.75	1.42	10.13	1.66	10.85	1.79	11.57	1.92	12.95	2.20	14.39	2.55
	23	7.31	1.21	8.75	1.44	10.13	1.70	10.85	1.85	11.57	2.02	12.95	2.36	14.39	2.73
	25	7.31	1.23	8.75	1.50	10.13	1.81	10.85	1.98	11.57	2.15	12.95	2.52	14.39	2.92
	27	7.31	1.30	8.75	1.60	10.13	1.93	10.85	2.11	11.57	2.30	12.95	2.69	14.39	3.12
	29	7.31	1.38	8.75	1.70	10.13	2.05	10.85	2.25	11.57	2.44	12.95	2.87	14.39	3.33
	31	7.31	1.46	8.75	1.80	10.13	2.19	10.85	2.39	11.57	2.60	12.95	3.06	14.39	3.55
	33	7.31	1.55	8.75	1.92	10.13	2.33	10.85	2.54	11.57	2.77	12.95	3.26	14.39	3.79
35	7.31	1.64	8.75	2.03	10.13	2.47	10.85	2.70	11.57	2.95	12.95	3.47	14.39	4.04	
37	7.31	1.74	8.75	2.16	10.13	2.63	10.85	2.87	11.57	3.14	12.95	3.70	14.39	4.30	
39	7.31	1.84	8.75	2.28	10.13	2.78	10.85	3.05	11.57	3.33	12.95	3.93	14.39	4.58	
41	7.31	1.92	8.75	2.37	10.13	2.87	10.85	3.15	11.57	3.43	12.95	4.09	14.39	4.78	

	43	7.31	2.08	8.75	2.53	10.13	2.98	10.85	3.32	11.57	3.54	12.95	4.24	14.39	4.93
	45	7.31	2.12	8.75	2.58	10.13	3.05	10.85	3.38	11.57	3.71	12.95	4.47	14.39	5.12
	48	7.31	2.18	8.75	2.61	10.13	3.08	10.85	3.43	11.57	3.81	12.95	4.67	14.39	5.24
60%	-5	6.26	0.84	7.47	0.98	8.69	1.14	9.30	1.21	9.91	1.31	11.13	1.47	12.34	1.69
	-2	6.26	0.85	7.47	0.99	8.69	1.16	9.30	1.23	9.91	1.32	11.13	1.49	12.34	1.70
	0	6.26	0.86	7.47	1.00	8.69	1.17	9.30	1.25	9.91	1.34	11.13	1.51	12.34	1.72
	2	6.26	0.88	7.47	1.03	8.69	1.20	9.30	1.27	9.91	1.36	11.13	1.55	12.34	1.74
	4	6.26	0.90	7.47	1.05	8.69	1.22	9.30	1.29	9.91	1.38	11.13	1.57	12.34	1.77
	6	6.26	0.91	7.47	1.07	8.69	1.24	9.30	1.31	9.91	1.41	11.13	1.60	12.34	1.81
	8	6.26	0.93	7.47	1.08	8.69	1.27	9.30	1.34	9.91	1.44	11.13	1.63	12.34	1.84
	10	6.26	0.94	7.47	1.11	8.69	1.29	9.30	1.38	9.91	1.47	11.13	1.66	12.34	1.86
	12	6.26	0.96	7.47	1.13	8.69	1.31	9.30	1.40	9.91	1.49	11.13	1.69	12.34	1.89
	14	6.26	0.97	7.47	1.14	8.69	1.33	9.30	1.43	9.91	1.52	11.13	1.72	12.34	1.93
	16	6.26	0.99	7.47	1.16	8.69	1.35	9.30	1.45	9.91	1.55	11.13	1.75	12.34	1.97
	18	6.26	1.00	7.47	1.18	8.69	1.38	9.30	1.47	9.91	1.58	11.13	1.78	12.34	2.00
	20	6.26	1.02	7.47	1.21	8.69	1.40	9.30	1.50	9.91	1.61	11.13	1.82	12.34	2.05
	21	6.26	1.03	7.47	1.21	8.69	1.41	9.30	1.52	9.91	1.62	11.13	1.84	12.34	2.06
	23	6.26	1.04	7.47	1.24	8.69	1.44	9.30	1.55	9.91	1.65	11.13	1.91	12.34	2.20
	25	6.26	1.06	7.47	1.25	8.69	1.49	9.30	1.62	9.91	1.75	11.13	2.04	12.34	2.34
	27	6.26	1.10	7.47	1.33	8.69	1.59	9.30	1.73	9.91	1.87	11.13	2.17	12.34	2.50
	29	6.26	1.16	7.47	1.41	8.69	1.69	9.30	1.84	9.91	1.99	11.13	2.32	12.34	2.67
	31	6.26	1.24	7.47	1.50	8.69	1.80	9.30	1.96	9.91	2.12	11.13	2.47	12.34	2.84
	33	6.26	1.30	7.47	1.59	8.69	1.91	9.30	2.08	9.91	2.25	11.13	2.63	12.34	3.03
35	6.26	1.38	7.47	1.69	8.69	2.02	9.30	2.20	9.91	2.39	11.13	2.80	12.34	3.23	
37	6.26	1.46	7.47	1.78	8.69	2.14	9.30	2.34	9.91	2.54	11.13	2.97	12.34	3.44	
39	6.26	1.54	7.47	1.89	8.69	2.27	9.30	2.48	9.91	2.70	11.13	3.15	12.34	3.65	
41	6.26	1.59	7.47	1.97	8.69	2.35	9.30	2.58	9.91	2.80	11.13	3.30	12.34	3.82	
43	6.26	1.64	7.47	2.05	8.69	2.44	9.30	2.66	9.91	2.90	11.13	3.44	12.34	3.99	
45	6.26	1.72	7.47	2.16	8.69	2.54	9.30	2.75	9.91	3.04	11.13	3.60	12.34	4.21	
48	6.26	1.78	7.47	2.25	8.69	2.62	9.30	2.83	9.91	3.16	11.13	3.73	12.34	4.40	
50%	-5	5.23	0.73	6.26	0.85	7.25	0.97	7.75	1.02	8.25	1.07	9.24	1.22	10.30	1.32
	-2	5.23	0.74	6.26	0.86	7.25	0.98	7.75	1.03	8.25	1.09	9.24	1.24	10.30	1.33
	0	5.23	0.75	6.26	0.88	7.25	1.00	7.75	1.05	8.25	1.11	9.24	1.26	10.30	1.36
	2	5.23	0.76	6.26	0.89	7.25	1.02	7.75	1.06	8.25	1.12	9.24	1.26	10.30	1.38
	4	5.23	0.77	6.26	0.90	7.25	1.03	7.75	1.07	8.25	1.15	9.24	1.29	10.30	1.42
	6	5.23	0.78	6.26	0.92	7.25	1.04	7.75	1.10	8.25	1.17	9.24	1.31	10.30	1.46
	8	5.23	0.80	6.26	0.93	7.25	1.06	7.75	1.12	8.25	1.18	9.24	1.34	10.30	1.51
	10	5.23	0.82	6.26	0.94	7.25	1.08	7.75	1.14	8.25	1.22	9.24	1.37	10.30	1.53
	12	5.23	0.82	6.26	0.96	7.25	1.10	7.75	1.16	8.25	1.24	9.24	1.39	10.30	1.55
	14	5.23	0.83	6.26	0.97	7.25	1.11	7.75	1.19	8.25	1.26	9.24	1.42	10.30	1.58
	16	5.23	0.85	6.26	0.98	7.25	1.13	7.75	1.21	8.25	1.28	9.24	1.44	10.30	1.61
	18	5.23	0.86	6.26	1.00	7.25	1.15	7.75	1.22	8.25	1.30	9.24	1.47	10.30	1.64
	20	5.23	0.87	6.26	1.01	7.25	1.16	7.75	1.24	8.25	1.33	9.24	1.49	10.30	1.67
	21	5.23	0.88	6.26	1.02	7.25	1.18	7.75	1.25	8.25	1.34	9.24	1.51	10.30	1.69
	23	5.23	0.89	6.26	1.04	7.25	1.19	7.75	1.28	8.25	1.36	9.24	1.53	10.30	1.72
	25	5.23	0.90	6.26	1.05	7.25	1.22	7.75	1.30	8.25	1.41	9.24	1.61	10.30	1.84
	27	5.23	0.92	6.26	1.10	7.25	1.29	7.75	1.39	8.25	1.49	9.24	1.72	10.30	1.96
	29	5.23	0.97	6.26	1.16	7.25	1.36	7.75	1.47	8.25	1.59	9.24	1.83	10.30	2.09
	31	5.23	1.02	6.26	1.22	7.25	1.44	7.75	1.57	8.25	1.69	9.24	1.94	10.30	2.22
	33	5.23	1.08	6.26	1.30	7.25	1.53	7.75	1.66	8.25	1.79	9.24	2.06	10.30	2.36
35	5.23	1.15	6.26	1.37	7.25	1.62	7.75	1.75	8.25	1.89	9.24	2.19	10.30	2.51	
37	5.23	1.21	6.26	1.45	7.25	1.72	7.75	1.86	8.25	2.01	9.24	2.33	10.30	2.67	
39	5.23	1.27	6.26	1.53	7.25	1.82	7.75	1.97	8.25	2.13	9.24	2.47	10.30	2.83	
41	5.23	1.33	6.26	1.59	7.25	1.88	7.75	2.06	8.25	2.22	9.24	2.60	10.30	2.96	
43	5.23	1.41	6.26	1.70	7.25	1.95	7.75	2.15	8.25	2.28	9.24	2.73	10.30	3.10	
45	5.23	1.45	6.26	1.75	7.25	2.08	7.75	2.32	8.25	2.38	9.24	2.99	10.30	3.36	
48	5.23	1.48	6.26	1.80	7.25	2.20	7.75	2.47	8.25	2.48	9.24	3.23	10.30	3.61	

Note:

- 1, [] is tested under our standard condition.
- 2, In cooling mode, avoid the outdoor air temperature range from 42-46 degree C, when selecting the models.
- 3, The above table shows the average value of conditions may operate.
- 4, It is recommended to connect less than 130%.

Heating

Combination (%) (Capacity index)	Outdoor Air temperature (°C DB)		Indoor temperature(°C WB)											
			16		18		20		21		22		24	
			TC	PI	TC	PI	TC	PI	TC	PI	TC	PI	TC	PI
	°C	°C WB	kW	kW	kW	kW	kW	kW	kW	kW	kW	kW	kW	kW
130%	-19.	-20	11.01	3.37	10.95	3.61	10.90	3.85	10.90	3.96	10.85	4.08	10.85	4.32
	-18.	-19	11.17	3.44	11.12	3.68	11.12	3.91	11.06	4.03	11.06	4.14	11.01	4.38
	-16.	-17	11.60	3.61	11.55	3.83	11.49	4.06	11.49	4.17	11.49	4.28	11.44	4.50
	-13.	-15	12.09	3.77	12.04	3.99	11.98	4.21	11.98	4.31	11.93	4.42	11.93	4.64
	-11.	-13	12.58	3.94	12.58	4.15	12.52	4.35	12.47	4.46	12.47	4.57	12.41	4.77
	-9.8	-11	13.17	4.11	13.11	4.31	13.06	4.51	13.06	4.61	13.06	4.71	13.01	4.91
	-9.5	-10	13.49	4.20	13.44	4.39	13.38	4.58	13.38	4.68	13.33	4.78	13.33	4.97
	-8.5	-9.1	13.76	4.27	13.71	4.46	13.71	4.65	13.65	4.75	13.65	4.84	13.60	5.03
	-7	-7.6	14.25	4.40	14.25	4.58	14.19	4.76	14.19	4.86	14.14	4.94	14.08	5.13
	-5	-5.6	15.00	4.57	14.95	4.74	14.89	4.91	14.89	5.00	14.84	5.08	14.84	5.25
	-3	-3.7	15.71	4.71	15.65	4.88	15.65	5.04	15.60	5.13	15.60	5.21	15.54	5.37
	0	-0.7	16.95	4.94	16.95	5.10	16.89	5.25	16.89	5.30	16.84	5.40	16.84	5.55
	3	2.2	18.29	5.15	18.24	5.29	18.19	5.43	18.19	5.50	18.19	5.58	18.13	5.71
	5	4.1	19.21	5.28	19.16	5.41	19.16	5.54	19.11	5.61	19.11	5.68	19.05	5.81
	7	6	20.18	5.40	20.13	5.53	20.13	5.66	20.08	5.72	20.08	5.78	19.27	5.55
	9	7.9	21.21	5.51	21.15	5.64	21.15	5.75	21.10	5.82	20.67	5.69	19.27	5.22
11	9.8	22.29	5.62	22.24	5.74	22.13	5.81	21.37	5.58	20.67	5.35	19.27	4.91	
13	11.8	23.48	5.73	23.42	5.84	22.13	5.45	21.37	5.23	20.67	5.02	19.27	4.61	
15	13.7	24.61	5.83	23.53	5.53	22.13	5.13	21.37	4.93	20.67	4.73	19.27	4.35	
120%	-19.	-20	10.96	3.69	10.90	3.91	10.85	4.13	10.85	4.24	10.85	4.35	10.79	4.57
	-18.	-19	11.12	3.76	11.06	3.98	11.06	4.19	11.01	4.30	11.01	4.41	10.96	4.63
	-16.	-17	11.55	3.91	11.50	4.12	11.42	4.32	11.44	4.43	11.44	4.53	11.39	4.74
	-13.	-15	12.04	4.06	11.98	4.26	11.93	4.46	11.93	4.57	11.93	4.66	11.87	4.86
	-11.	-13	12.52	4.22	12.52	4.41	12.47	4.60	12.47	4.70	12.41	4.79	12.41	4.99
	-9.8	-11	13.11	4.38	13.06	4.56	13.06	4.75	13.01	4.84	13.01	4.93	12.95	5.11
	-9.5	-10	13.44	4.46	13.39	4.64	13.33	4.81	13.33	4.91	13.33	4.99	13.28	5.17
	-8.5	-9.1	13.71	4.53	13.65	4.70	13.65	4.88	13.60	4.96	13.60	5.06	13.55	5.23
	-7	-7.6	14.19	4.65	14.19	4.81	14.14	4.98	14.14	5.07	14.09	5.15	14.09	5.32
	-5	-5.6	14.95	4.79	14.90	4.96	14.84	5.12	14.84	5.20	14.84	5.28	14.79	5.43
	-3	-3.7	15.65	4.94	15.65	5.09	15.60	5.24	15.60	5.32	15.54	5.40	15.54	5.54
	0	-0.7	16.89	5.15	16.89	5.29	16.84	5.43	16.84	5.50	16.78	5.57	16.78	5.71
	3	2.2	18.24	5.34	18.19	5.47	18.19	5.60	18.13	5.67	18.13	5.73	17.76	5.70
	5	4.1	19.16	5.46	19.11	5.58	19.11	5.71	19.05	5.77	19.05	5.83	17.76	5.35
	7	6	20.13	5.57	20.13	5.69	20.08	5.80	19.75	5.72	19.11	5.49	17.76	5.04
	9	7.9	21.16	5.68	21.10	5.79	20.40	5.60	19.75	5.38	19.11	5.16	17.76	4.74
11	9.8	22.24	5.78	21.70	5.68	20.40	5.27	19.75	5.06	19.11	4.86	17.76	4.47	
13	11.8	23.04	5.72	21.70	5.33	20.40	4.94	19.75	4.75	19.11	4.57	17.76	4.20	
15	13.7	23.04	5.39	21.70	5.02	20.40	4.66	19.75	4.48	19.11	4.31	17.76	3.96	
110%	-19.	-20	10.90	4.01	10.85	4.21	10.79	4.42	10.79	4.52	10.80	4.62	10.74	4.82
	-18.	-19	11.06	4.08	11.01	4.27	11.01	4.47	11.01	4.57	10.96	4.67	10.96	4.87
	-16.	-17	11.49	4.21	11.44	4.40	11.60	4.60	11.39	4.69	11.39	4.79	11.33	4.97
	-13.	-15	11.98	4.36	11.93	4.54	11.87	4.72	11.87	4.81	11.87	4.91	11.82	5.09
	-11.	-13	12.47	4.50	12.47	4.68	12.41	4.85	12.41	4.94	12.36	5.02	12.36	5.20
	-9.8	-11	13.06	4.65	13.01	4.81	13.01	4.98	12.95	5.07	12.95	5.15	12.95	5.32
	-9.5	-10	13.38	4.72	13.33	4.88	13.28	5.05	13.28	5.13	13.28	5.21	13.22	5.37
	-8.5	-9.1	13.65	4.78	13.60	4.94	13.60	5.10	13.55	5.19	13.55	5.27	13.55	4.80
	-7	-7.6	14.14	4.89	14.14	5.04	14.09	5.20	14.09	5.28	14.09	5.35	14.03	5.51
	-5	-5.6	14.90	5.03	14.84	5.18	14.79	5.32	14.79	5.40	14.79	5.47	14.73	5.62
	-3	-3.7	15.60	5.16	15.60	5.30	15.54	5.44	15.54	5.51	15.49	5.58	15.49	5.72
	0	-0.7	16.84	5.35	16.84	5.48	16.79	5.61	16.79	5.67	16.79	5.74	16.30	5.63
	3	2.2	18.19	5.53	18.13	5.65	18.13	5.77	18.08	5.82	17.49	5.59	16.30	5.12
	5	4.1	19.11	5.64	19.11	5.75	18.73	5.70	18.08	5.47	17.49	5.25	16.30	4.82
	7	6	20.08	5.74	19.91	5.78	18.73	5.35	18.08	5.14	17.49	4.94	16.30	4.53
	9	7.9	21.10	5.84	19.91	5.43	18.73	5.04	18.08	4.84	17.49	4.65	16.30	4.27
11	9.8	21.10	5.49	19.91	5.11	18.73	4.74	18.08	4.56	17.49	4.38	16.30	4.03	
13	11.8	21.10	5.15	19.91	4.79	18.73	4.45	18.08	4.29	17.49	4.12	16.30	3.80	
15	13.7	21.10	4.57	19.91	4.52	18.73	4.21	18.08	4.05	17.49	3.90	16.30	3.59	
100%	-19.	-20	10.85	4.34	10.79	4.52	10.79	4.70	10.74	4.79	10.74	4.88	10.69	5.07

	-18.	-19	11.01	4.39	11.01	4.57	10.95	4.75	10.95	4.84	10.90	4.94	10.90	5.12
	-16.	-17	11.44	4.52	11.39	4.69	11.39	4.86	11.33	4.95	11.33	5.04	11.33	5.21
	-13.	-15	11.93	4.65	11.87	4.81	11.82	4.98	11.82	5.07	11.82	5.15	11.77	5.31
	-11.	-13	12.41	4.78	12.41	4.94	12.36	5.10	12.36	5.18	12.36	5.26	12.30	5.42
	-9.8	-11	13.01	4.91	12.95	5.07	12.95	5.22	12.95	5.30	12.90	5.37	12.90	5.52
	-9.5	-10	13.33	4.98	13.28	5.13	13.28	5.28	13.22	5.35	13.22	5.43	13.17	5.58
	-8.5	-9.1	13.60	5.04	13.55	5.18	13.55	5.33	13.55	5.40	13.49	5.48	13.49	5.62
	-7	-7.6	14.09	5.14	14.09	5.28	14.03	5.41	14.03	5.49	14.03	5.56	13.98	5.70
	-5	-5.6	14.84	5.27	14.79	5.40	14.79	5.53	14.73	5.59	14.73	5.66	14.68	5.80
	-3	-3.7	15.54	5.38	15.54	4.89	15.49	5.64	15.49	5.70	15.49	5.76	14.84	5.52
	0	-0.7	16.78	5.56	16.78	5.67	16.73	5.79	16.46	5.70	15.92	5.46	14.84	5.01
	3	2.2	18.13	5.72	18.08	5.82	17.00	5.39	16.46	5.18	15.92	4.97	14.84	4.57
	5	4.1	19.05	5.82	18.08	5.47	17.00	5.07	16.46	4.87	15.92	4.68	14.84	4.31
	7	6	19.16	5.53	18.08	5.14	17.00	4.77	16.46	4.59	15.92	4.41	14.84	4.06
	9	7.9	19.16	5.19	18.08	4.84	17.00	4.49	16.46	4.27	15.92	4.16	14.84	3.83
	11	9.8	19.16	4.89	18.08	4.56	17.00	4.24	16.46	4.08	15.92	3.92	14.84	3.62
	13	11.8	19.16	4.59	18.08	4.29	17.00	3.99	16.46	3.84	15.92	3.70	14.84	3.41
	15	13.7	19.16	4.33	18.08	4.05	17.00	3.77	16.46	3.63	15.92	3.49	14.84	3.23
90%	-19.	-20	10.77	4.66	10.72	4.82	10.72	4.99	10.67	5.07	10.67	5.15	10.67	5.32
	-18.	-19	10.94	4.71	10.94	4.87	10.88	5.04	10.88	5.12	10.88	5.20	10.83	5.36
	-16.	-17	11.37	4.83	11.31	4.98	11.31	5.14	11.31	5.22	11.26	5.29	11.26	5.44
	-13.	-15	11.85	4.94	11.80	5.09	11.80	5.24	11.74	5.31	11.74	5.39	11.74	5.54
	-11.	-13	12.34	5.06	12.34	5.20	12.28	5.35	12.28	5.42	12.28	5.49	12.23	5.63
	-9.8	-11	12.93	5.18	12.93	5.32	12.87	5.45	12.87	5.52	12.87	5.59	12.82	5.73
	-9.5	-10	13.25	5.24	13.20	5.38	13.20	5.51	13.15	5.58	13.15	5.64	13.15	5.77
	-8.5	-9.1	13.52	5.30	13.52	5.43	13.47	5.56	13.47	5.62	13.47	5.69	13.31	5.74
	-7	-7.6	14.01	5.38	14.01	5.51	13.95	5.64	13.95	5.70	13.95	5.76	13.31	5.48
	-5	-5.6	14.76	5.50	14.71	5.62	14.71	5.74	14.65	5.80	14.28	5.62	13.31	5.15
	-3	-3.7	15.46	5.61	15.46	5.72	15.30	5.74	14.76	5.51	14.28	5.29	13.31	4.86
	0	-0.7	16.76	5.77	16.27	5.62	15.30	5.21	14.76	5.01	14.28	4.81	13.31	4.42
	3	2.2	17.24	5.49	16.27	5.12	15.30	4.75	14.76	4.57	14.28	4.39	13.31	4.04
	5	4.1	17.24	5.17	16.27	4.81	15.30	4.47	14.76	4.30	14.28	4.14	13.31	3.81
	7	6	17.24	4.86	16.27	4.53	15.30	4.21	14.76	4.06	14.28	3.90	13.31	3.60
9	7.9	17.24	4.58	16.27	4.27	15.30	3.97	14.76	3.83	14.28	3.69	13.31	3.40	
11	9.8	17.24	4.31	16.27	4.03	15.30	3.75	14.76	3.62	14.28	3.48	13.31	3.22	
13	11.8	17.24	4.06	16.27	3.80	15.30	3.54	14.76	3.41	14.28	3.29	13.31	3.04	
15	13.7	17.24	3.83	16.27	3.59	15.30	3.35	14.76	3.23	14.28	3.12	13.31	2.89	
80%	-19.	-20	10.74	4.98	10.69	5.12	10.69	5.27	10.69	5.35	10.63	5.42	10.63	5.56
	-18.	-19	10.90	5.02	10.90	5.17	10.85	5.31	10.85	5.39	10.85	5.46	10.79	5.61
	-16.	-17	11.33	5.13	11.28	5.27	11.28	5.41	11.28	5.48	11.28	5.54	11.23	5.68
	-13.	-15	11.82	5.23	11.77	5.36	11.77	5.50	11.77	5.56	11.71	5.63	11.71	5.77
	-11.	-13	12.31	5.34	12.31	5.47	12.25	5.59	12.25	5.66	12.25	5.72	11.87	5.57
	-9.8	-11	12.90	5.45	12.90	5.57	12.84	5.69	12.84	5.75	12.74	5.74	11.87	5.26
	-9.5	-10	13.22	5.50	13.17	5.62	13.17	5.74	13.17	5.80	12.74	5.57	11.87	5.10
	-8.5	-9.1	13.49	5.55	12.54	5.67	13.44	5.78	13.17	5.65	12.74	5.42	11.87	4.97
	-7	-7.6	13.98	5.63	13.98	5.74	13.60	5.62	13.17	5.40	12.74	5.18	11.87	4.75
	-5	-5.6	14.73	5.73	14.46	5.70	13.60	5.28	13.17	5.07	12.74	4.87	11.87	4.47
	-3	-3.7	15.33	5.76	14.46	5.36	13.60	4.97	13.17	4.78	12.74	4.59	11.87	4.22
	0	-0.7	15.33	5.23	14.46	4.87	13.60	4.52	13.17	4.35	12.74	4.18	11.87	3.85
	3	2.2	15.33	4.76	14.46	4.44	13.60	4.13	13.17	3.98	12.74	3.83	11.87	3.53
	5	4.1	15.33	4.49	14.46	4.19	13.60	3.90	13.17	3.75	12.74	3.62	11.87	3.34
	7	6	15.33	4.22	14.46	3.95	13.60	3.68	13.17	3.55	12.74	3.42	11.87	3.16
9	7.9	15.33	3.99	14.46	3.73	13.60	3.47	13.17	3.35	12.74	3.23	11.87	2.99	
11	9.8	15.33	3.77	14.46	3.52	13.60	3.29	13.17	3.17	12.74	3.06	11.87	2.84	
13	11.8	15.33	3.55	14.46	3.33	13.60	3.11	13.17	3.00	12.74	2.89	11.87	2.68	
15	13.7	15.33	3.36	14.46	3.15	13.60	2.95	13.17	2.84	12.74	2.74	11.87	2.55	
70%	-19.	-20	10.66	5.30	10.61	5.43	10.61	5.56	10.61	5.62	10.61	5.69	10.34	5.62
	-18.	-19	10.82	5.35	10.82	5.47	10.77	5.59	10.77	5.66	10.77	5.72	10.34	5.51
	-16.	-17	11.25	5.43	11.25	5.56	11.20	5.67	11.20	5.74	11.09	5.11	10.34	5.25
	-13.	-15	11.74	5.53	11.68	5.64	11.68	5.76	11.47	5.67	11.09	5.44	10.34	4.99
	-11.	-13	12.22	5.62	12.22	5.73	11.90	5.59	11.47	5.38	11.09	5.16	10.34	4.73
	-9.8	-11	12.82	5.71	12.65	5.71	11.90	5.28	11.47	5.08	11.09	4.88	10.34	4.48
-9.5	-10	13.14	5.76	12.65	5.54	11.90	5.13	11.47	4.93	11.09	4.74	10.34	4.35	

	-8.5	-9.1	13.41	5.79	12.65	5.39	11.90	4.99	11.47	4.80	11.09	4.61	10.34	4.24
	-7	-7.6	13.41	5.53	12.65	5.15	11.90	4.78	11.47	4.60	11.09	4.42	10.34	4.06
	-5	-5.6	13.41	5.20	12.65	4.84	11.90	4.50	11.47	4.32	11.09	5.11	10.34	3.83
	-3	-3.7	13.41	4.89	12.65	4.57	11.90	4.24	11.47	4.08	11.09	3.93	10.34	3.62
	0	-0.7	13.41	4.45	12.65	4.16	11.90	3.87	11.47	3.73	11.09	3.59	10.34	3.32
	3	2.2	13.41	4.07	12.65	3.81	11.90	3.55	11.47	3.42	11.09	3.30	10.34	3.05
	5	4.1	13.41	3.84	12.65	3.59	11.90	3.36	11.47	3.23	11.09	3.12	10.34	2.89
	7	6	13.41	3.63	12.65	3.40	11.90	3.17	11.47	3.06	11.09	2.95	10.34	2.74
	9	7.9	13.41	3.43	12.65	3.22	11.90	3.00	11.47	2.90	11.09	2.80	10.34	2.60
	11	9.8	13.41	3.25	12.65	3.04	11.90	2.85	11.47	2.75	11.09	2.66	10.34	2.47
	13	11.8	13.41	3.07	12.65	2.88	11.90	2.69	11.47	2.61	11.09	2.52	10.34	2.34
	15	13.7	13.41	2.91	12.65	2.73	11.90	2.56	11.47	2.48	11.09	2.39	10.34	2.23
60%	-19.	-20	10.63	5.62	10.58	5.73	10.20	5.51	9.88	5.30	9.55	5.09	8.90	4.66
	-18.	-19	10.79	5.66	10.79	5.77	10.20	5.40	9.88	5.18	9.55	4.97	8.90	4.57
	-16.	-17	11.23	5.74	10.85	5.56	10.20	5.15	9.88	4.95	9.55	4.75	8.90	4.37
	-13.	-15	11.50	5.67	10.85	5.28	10.20	4.89	9.88	4.71	9.55	4.52	8.90	4.16
	-11.	-13	11.50	5.37	10.85	5.00	10.20	4.64	9.88	4.47	9.55	4.29	8.90	3.97
	-9.8	-11	11.50	5.07	10.85	4.73	10.20	4.39	9.88	4.22	9.55	4.06	8.90	3.75
	-9.5	-10	11.50	4.93	10.85	4.60	10.20	4.27	9.88	4.11	9.55	3.95	8.90	3.64
	-8.5	-9.1	11.50	4.80	10.85	4.48	10.20	4.16	9.88	4.01	9.55	3.85	8.90	3.56
	-7	-7.6	11.50	4.59	10.85	4.29	10.20	3.98	9.88	3.84	9.55	3.69	8.90	3.41
	-5	-5.6	11.50	4.32	10.85	4.04	10.20	3.76	9.88	3.62	9.55	3.49	8.90	3.23
	-3	-3.7	11.50	4.08	10.85	3.82	10.20	3.56	9.88	3.43	9.55	3.30	8.90	3.05
	0	-0.7	11.50	3.73	10.85	3.49	10.20	3.26	9.88	3.15	9.55	3.03	8.90	2.81
	3	2.2	11.50	3.42	10.85	3.21	10.20	3.00	9.88	2.89	9.55	2.79	8.90	2.59
	5	4.1	11.50	3.23	10.85	3.04	10.20	2.84	9.88	2.74	9.55	2.65	8.90	2.46
	7	6	11.50	3.06	10.85	2.87	10.20	2.69	9.88	2.60	9.55	2.51	8.90	2.34
9	7.9	11.50	2.90	10.85	2.73	10.20	2.55	9.88	2.47	9.55	2.38	8.90	2.22	
11	9.8	11.50	2.75	10.85	2.59	10.20	2.43	9.88	2.35	9.55	2.27	8.90	2.12	
13	11.8	11.50	2.60	10.85	2.45	10.20	2.30	9.88	2.23	9.55	2.16	8.90	2.01	
15	13.7	11.50	2.48	10.85	2.33	10.20	2.19	9.88	2.12	9.55	2.06	8.90	1.92	
50%	-19.	-20	9.58	5.12	9.04	4.76	8.50	4.42	8.18	4.26	7.91	4.09	7.37	3.77
	-18.	-19	9.58	5.01	9.04	4.66	8.50	4.34	8.18	4.17	7.91	4.01	7.37	3.70
	-16.	-17	9.58	4.78	9.04	4.45	8.50	4.14	8.18	3.99	7.91	3.84	7.37	3.54
	-13.	-15	9.58	4.55	9.04	4.24	8.50	3.95	8.18	3.80	7.91	3.66	7.37	3.38
	-11.	-13	9.58	4.32	9.04	4.03	8.50	3.75	8.18	3.62	7.91	3.48	7.37	3.22
	-9.8	-11	9.58	4.09	9.04	3.82	8.50	3.56	8.18	3.43	7.91	3.31	7.37	3.06
	-9.5	-10	9.58	3.98	9.04	3.72	8.50	3.47	8.18	3.34	7.91	3.22	7.37	2.98
	-8.5	-9.1	9.58	3.88	9.04	3.63	8.50	3.38	8.18	3.26	7.91	3.15	7.37	2.91
	-7	-7.6	9.58	3.72	9.04	3.48	8.50	3.25	8.18	3.13	7.91	3.02	7.37	2.80
	-5	-5.6	9.58	3.51	9.04	3.29	8.50	3.07	8.18	2.97	7.91	2.86	7.37	2.65
	-3	-3.7	9.58	3.32	9.04	3.12	8.50	2.91	8.18	2.81	7.91	2.71	7.37	2.52
	0	-0.7	9.58	3.05	9.04	2.86	8.50	2.68	8.18	2.59	7.91	2.50	7.37	2.33
	3	2.2	9.58	2.81	9.04	2.64	8.50	2.47	8.18	2.39	7.91	2.31	7.37	2.16
	5	4.1	9.58	2.66	9.04	2.50	8.50	2.35	8.18	2.27	7.91	2.20	7.37	2.05
	7	6	9.58	2.53	9.04	2.38	8.50	2.24	8.18	2.16	7.91	2.09	7.37	1.96
9	7.9	9.58	2.40	9.04	2.26	8.50	2.12	8.18	2.06	7.91	1.99	7.37	1.86	
11	9.8	9.58	2.28	9.04	2.15	8.50	2.03	8.18	1.96	7.91	1.90	7.37	1.78	
13	11.8	9.58	2.17	9.04	2.04	8.50	1.93	8.18	1.87	7.91	1.81	7.37	1.70	
15	13.7	9.58	2.06	9.04	1.95	8.50	1.84	8.18	1.78	7.91	1.73	7.37	1.62	

Note:

- 1, [redacted] is tested under our standard condition.
- 2, In heating mode, avoid the outdoor air temperature range from -15 to -20 degree C, when selecting the models.
- 3, The above table shows the average value of conditions may operate.
- 4, It is recommended to connect less than 130%.

MDV-V180W/DRN1

Cooling

Combinati on (%) (Capacity index)	Outdoor temperat ure (°C DB)	Indoor temperature(° C DB/WD)													
		DB:20.8,WB		DB:23.3,WB		DB:25.8,WB		DB:27,WB:1		DB:28.2,WB:2		DB:30.7,WB:		DB:32,WB:2	
		TC kW	PI kW	TC kW	PI kW	TC kW	PI kW	TC kW	PI kW	TC kW	PI kW	TC kW	PI kW	TC kW	PI kW
130%	-5	15.37	2.17	18.31	2.64	21.25	2.83	22.06	2.95	23.12	3.03	23.69	3.30	24.28	3.32
	-2	15.37	2.17	18.31	2.70	21.25	2.83	22.06	2.97	23.12	3.03	23.69	3.34	24.28	3.35
	0	15.37	2.20	18.31	2.74	21.25	2.94	22.06	3.13	23.12	3.21	23.69	3.38	24.28	3.40
	2	15.37	2.24	18.31	2.75	21.25	3.04	22.06	3.31	23.12	3.25	23.69	3.41	24.28	3.45
	4	15.37	2.29	18.31	2.80	21.25	3.14	22.06	3.32	23.12	3.29	23.69	3.40	24.28	3.51
	6	15.37	2.34	18.31	2.86	21.25	3.26	22.06	3.35	22.87	3.39	23.40	3.40	24.02	3.54
	8	15.37	2.39	18.31	2.92	21.25	3.42	22.06	3.51	22.58	3.50	23.14	3.90	23.71	3.57
	10	15.37	2.44	18.31	2.99	21.25	3.55	22.06	3.63	22.31	4.04	22.87	4.06	23.44	3.68
	12	15.37	2.49	18.31	3.04	21.25	3.62	21.75	4.03	22.06	4.06	22.56	4.07	23.12	3.70
	14	15.37	2.54	18.31	3.10	21.19	4.05	21.50	4.06	21.75	4.08	22.31	4.09	22.87	3.78
	16	15.37	2.58	18.31	3.16	20.94	4.06	21.19	4.08	21.44	4.10	22.00	4.12	22.56	3.84
	18	15.37	2.63	18.31	3.23	20.62	3.79	20.87	3.81	21.19	3.83	21.75	3.86	22.31	3.90
	20	15.37	2.69	18.31	3.44	20.31	3.97	20.62	3.99	20.87	4.01	21.44	4.05	22.00	4.09
	21	15.37	2.76	18.31	3.56	20.19	4.06	20.50	4.09	20.75	4.11	21.31	4.15	21.87	4.19
	23	15.37	2.96	18.31	3.81	19.94	4.25	20.19	4.27	20.44	4.29	21.00	4.34	21.56	4.38
	25	15.37	3.16	18.31	4.09	19.62	4.44	19.87	4.46	20.19	4.49	20.75	4.53	21.31	4.57
	27	15.37	3.37	18.31	4.37	19.37	4.62	19.62	4.65	19.87	4.67	20.44	4.72	21.00	4.77
	29	15.37	3.60	18.31	4.67	19.06	4.81	19.31	4.84	19.62	4.86	20.19	4.91	20.75	4.96
	31	15.37	3.84	18.25	4.94	18.75	5.00	19.06	5.03	19.31	5.05	19.87	5.11	20.44	5.16
	33	15.37	4.09	17.94	5.13	18.50	5.19	18.75	5.21	19.06	5.24	19.62	5.30	20.12	5.36
35	15.37	4.36	17.62	5.31	18.19	5.38	18.50	5.41	18.75	5.44	19.31	5.50	19.87	5.56	
37	15.37	4.64	17.37	5.51	17.94	5.57	18.19	5.60	18.50	5.64	19.00	5.70	19.56	5.77	
39	15.37	4.94	17.06	5.56	17.62	5.76	17.94	5.79	18.19	5.83	18.75	5.89	19.31	5.96	
41	15.37	5.20	16.89	5.62	17.44	5.81	17.75	5.85	18.00	5.88	18.56	5.91	18.57	6.02	
43	15.37	5.33	16.76	5.65	17.35	5.83	17.66	5.87	17.82	5.89	18.23	5.92	18.35	6.03	
45	15.37	5.60	16.66	5.70	17.16	5.88	17.47	5.91	17.56	5.92	17.73	5.94	17.99	6.15	
48	15.37	5.80	17.25	5.88	18.71	5.94	19.06	5.97	19.21	5.99	19.13	6.04	19.47	6.06	
120%	-5	14.19	2.09	16.87	2.53	19.63	3.00	21.00	3.27	22.00	3.41	22.50	3.52	23.00	3.61
	-2	14.19	2.11	16.87	2.56	19.63	3.03	21.00	3.29	22.00	3.45	22.50	3.55	23.00	3.62
	0	14.19	2.13	16.87	2.58	19.63	3.06	21.00	3.30	22.00	3.48	22.50	3.57	23.00	3.63
	2	14.19	2.14	16.87	2.61	19.63	3.08	21.00	3.33	22.00	3.49	22.50	3.59	23.00	3.64
	4	14.19	2.16	16.87	2.64	19.63	3.13	21.00	3.36	22.00	3.54	22.50	3.60	23.00	3.65
	6	14.19	2.18	16.87	2.66	19.63	3.16	21.00	3.39	22.00	3.58	22.50	3.63	23.00	3.66
	8	14.19	2.20	16.87	2.69	19.63	3.21	21.00	3.44	22.00	3.61	22.50	3.64	23.00	3.68
	10	14.19	2.23	16.87	2.72	19.63	3.24	21.00	3.50	22.00	3.62	22.50	3.65	23.00	3.69
	12	14.19	2.27	16.87	2.77	19.63	3.30	21.00	3.56	21.69	3.63	22.19	3.63	22.69	3.72
	14	14.19	2.31	16.87	2.83	19.63	3.36	21.00	3.64	21.37	3.65	21.94	3.69	22.44	3.76
	16	14.19	2.36	16.87	2.89	19.63	3.43	20.87	4.10	21.12	3.71	21.62	3.75	22.12	3.82
	18	14.19	2.40	16.87	2.94	19.63	3.54	20.56	3.79	20.81	3.80	21.31	3.84	21.87	3.87
	20	14.19	2.45	16.87	3.06	19.63	3.81	20.31	3.97	20.56	3.99	21.06	4.02	21.56	4.06
	21	14.19	2.47	16.87	3.16	19.63	3.95	20.12	4.06	20.37	4.08	20.94	4.11	21.44	4.16
	23	14.19	2.64	16.87	3.39	19.63	4.23	19.88	4.24	20.12	4.26	20.62	4.31	21.12	4.34
	25	14.19	2.82	16.87	3.63	19.31	4.41	19.56	4.43	19.81	4.45	20.37	4.49	20.87	4.54
	27	14.19	3.01	16.87	3.88	19.06	4.59	19.31	4.62	19.56	4.64	20.06	4.69	20.56	4.73
	29	14.19	3.21	16.87	4.14	18.75	4.78	19.00	4.81	19.25	4.83	19.75	4.88	20.31	4.92
	31	14.19	3.43	16.87	4.42	18.44	4.97	18.75	4.99	19.00	5.02	19.50	5.07	20.00	5.12
	33	14.19	3.65	16.87	4.71	18.19	5.16	18.44	5.19	18.69	5.21	19.19	5.26	19.69	5.31
35	14.19	3.89	16.87	5.03	17.87	5.34	18.12	5.37	18.44	5.40	18.94	5.46	19.44	5.51	
37	14.19	4.14	16.87	5.36	17.62	5.54	17.87	5.56	18.12	5.59	18.62	5.65	19.13	5.71	
39	14.19	4.40	16.81	5.66	17.31	5.72	17.56	5.76	17.81	5.79	18.37	5.85	18.88	5.91	
41	14.19	4.52	16.68	5.70	17.18	5.76	17.43	5.80	17.68	5.83	18.24	5.87	18.33	5.95	
43	14.19	4.59	16.59	5.74	17.04	5.80	17.29	5.82	17.54	5.85	17.92	5.88	18.05	6.07	
45	14.19	4.64	16.50	5.79	16.88	5.85	17.11	5.87	17.39	5.89	17.56	5.90	17.87	6.20	
48	16.44	4.68	18.95	5.86	19.30	5.90	19.51	5.92	19.92	5.94	20.03	5.92	20.43	6.28	
110%	-5	13.00	1.83	15.50	2.27	18.00	2.71	19.25	2.91	20.50	3.13	22.06	3.26	22.56	3.36
	-2	13.00	1.86	15.50	2.30	18.00	2.74	19.25	2.94	20.50	3.16	22.06	3.29	22.56	3.37
	0	13.00	1.88	15.50	2.32	18.00	2.76	19.25	2.96	20.50	3.19	22.06	3.32	22.56	3.42
	2	13.00	1.92	15.50	2.34	18.00	2.80	19.25	2.99	20.50	3.23	22.06	3.37	22.56	3.46

	43	8.25	2.44	9.87	2.96	11.44	3.50	12.25	3.90	13.06	4.15	14.63	4.97	16.25	5.78
	45	8.25	2.49	9.87	3.03	11.44	3.57	12.25	3.96	13.06	4.35	14.63	5.24	16.25	6.01
	48	8.25	2.55	9.87	3.06	11.44	3.61	12.25	4.02	13.06	4.47	14.63	5.48	16.25	6.15
60%	-5	7.06	0.99	8.44	1.15	9.81	1.33	10.50	1.42	11.19	1.54	12.56	1.72	13.94	1.98
	-2	7.06	0.99	8.44	1.16	9.81	1.36	10.50	1.44	11.19	1.55	12.56	1.75	13.94	1.99
	0	7.06	1.01	8.44	1.18	9.81	1.38	10.50	1.46	11.19	1.58	12.56	1.78	13.94	2.02
	2	7.06	1.03	8.44	1.20	9.81	1.40	10.50	1.49	11.19	1.60	12.56	1.81	13.94	2.04
	4	7.06	1.05	8.44	1.23	9.81	1.43	10.50	1.51	11.19	1.62	12.56	1.84	13.94	2.07
	6	7.06	1.07	8.44	1.25	9.81	1.46	10.50	1.54	11.19	1.65	12.56	1.88	13.94	2.12
	8	7.06	1.09	8.44	1.27	9.81	1.48	10.50	1.57	11.19	1.69	12.56	1.91	13.94	2.15
	10	7.06	1.11	8.44	1.30	9.81	1.51	10.50	1.61	11.19	1.72	12.56	1.95	13.94	2.19
	12	7.06	1.13	8.44	1.32	9.81	1.54	10.50	1.64	11.19	1.75	12.56	1.99	13.94	2.22
	14	7.06	1.14	8.44	1.34	9.81	1.56	10.50	1.67	11.19	1.79	12.56	2.02	13.94	2.26
	16	7.06	1.16	8.44	1.36	9.81	1.59	10.50	1.70	11.19	1.81	12.56	2.06	13.94	2.31
	18	7.06	1.18	8.44	1.39	9.81	1.61	10.50	1.73	11.19	1.85	12.56	2.09	13.94	2.35
	20	7.06	1.19	8.44	1.41	9.81	1.64	10.50	1.76	11.19	1.89	12.56	2.14	13.94	2.40
	21	7.06	1.21	8.44	1.42	9.81	1.66	10.50	1.78	11.19	1.90	12.56	2.16	13.94	2.42
	23	7.06	1.22	8.44	1.45	9.81	1.69	10.50	1.81	11.19	1.94	12.56	2.24	13.94	2.58
	25	7.06	1.24	8.44	1.47	9.81	1.75	10.50	1.90	11.19	2.06	12.56	2.39	13.94	2.75
	27	7.06	1.29	8.44	1.56	9.81	1.86	10.50	2.03	11.19	2.19	12.56	2.55	13.94	2.94
	29	7.06	1.36	8.44	1.66	9.81	1.99	10.50	2.16	11.19	2.34	12.56	2.72	13.94	3.14
	31	7.06	1.45	8.44	1.76	9.81	2.11	10.50	2.29	11.19	2.49	12.56	2.89	13.94	3.34
	33	7.06	1.53	8.44	1.86	9.81	2.24	10.50	2.44	11.19	2.64	12.56	3.08	13.94	3.56
35	7.06	1.62	8.44	1.98	9.81	2.37	10.50	2.59	11.19	2.81	12.56	3.28	13.94	3.79	
37	7.06	1.71	8.44	2.09	9.81	2.51	10.50	2.74	11.19	2.98	12.56	3.49	13.94	4.03	
39	7.06	1.81	8.44	2.21	9.81	2.66	10.50	2.91	11.19	3.16	12.56	3.70	13.94	4.29	
41	7.06	1.87	8.44	2.31	9.81	2.76	10.50	3.02	11.19	3.28	12.56	3.87	13.94	4.48	
43	7.06	1.92	8.44	2.41	9.81	2.86	10.50	3.11	11.19	3.39	12.56	4.04	13.94	4.67	
45	7.06	2.01	8.44	2.53	9.81	2.97	10.50	3.23	11.19	3.56	12.56	4.22	13.94	4.93	
48	7.06	2.09	8.44	2.64	9.81	3.07	10.50	3.31	11.19	3.70	12.56	4.37	13.94	5.16	
50%	-5	5.91	0.86	7.06	0.99	8.19	1.14	8.75	1.19	9.31	1.26	10.44	1.43	11.63	1.54
	-2	5.91	0.86	7.06	1.01	8.19	1.15	8.75	1.21	9.31	1.28	10.44	1.45	11.63	1.56
	0	5.91	0.88	7.06	1.03	8.19	1.17	8.75	1.23	9.31	1.30	10.44	1.47	11.63	1.59
	2	5.91	0.89	7.06	1.04	8.19	1.19	8.75	1.24	9.31	1.32	10.44	1.48	11.63	1.62
	4	5.91	0.90	7.06	1.06	8.19	1.21	8.75	1.26	9.31	1.35	10.44	1.52	11.63	1.66
	6	5.91	0.92	7.06	1.08	8.19	1.22	8.75	1.29	9.31	1.37	10.44	1.54	11.63	1.71
	8	5.91	0.94	7.06	1.09	8.19	1.24	8.75	1.32	9.31	1.39	10.44	1.57	11.63	1.77
	10	5.91	0.96	7.06	1.11	8.19	1.26	8.75	1.34	9.31	1.43	10.44	1.61	11.63	1.79
	12	5.91	0.96	7.06	1.12	8.19	1.29	8.75	1.36	9.31	1.46	10.44	1.64	11.63	1.82
	14	5.91	0.98	7.06	1.14	8.19	1.30	8.75	1.39	9.31	1.48	10.44	1.66	11.63	1.86
	16	5.91	0.99	7.06	1.15	8.19	1.32	8.75	1.41	9.31	1.50	10.44	1.69	11.63	1.89
	18	5.91	1.01	7.06	1.17	8.19	1.34	8.75	1.44	9.31	1.53	10.44	1.72	11.63	1.92
	20	5.91	1.02	7.06	1.19	8.19	1.36	8.75	1.46	9.31	1.56	10.44	1.75	11.63	1.96
	21	5.91	1.03	7.06	1.20	8.19	1.38	8.75	1.47	9.31	1.57	10.44	1.77	11.63	1.98
	23	5.91	1.04	7.06	1.21	8.19	1.40	8.75	1.50	9.31	1.60	10.44	1.80	11.63	2.02
	25	5.91	1.06	7.06	1.24	8.19	1.43	8.75	1.53	9.31	1.65	10.44	1.89	11.63	2.16
	27	5.91	1.08	7.06	1.29	8.19	1.51	8.75	1.63	9.31	1.75	10.44	2.01	11.63	2.30
	29	5.91	1.14	7.06	1.36	8.19	1.60	8.75	1.73	9.31	1.86	10.44	2.14	11.63	2.45
	31	5.91	1.20	7.06	1.44	8.19	1.69	8.75	1.84	9.31	1.98	10.44	2.28	11.63	2.61
	33	5.91	1.27	7.06	1.52	8.19	1.80	8.75	1.94	9.31	2.10	10.44	2.42	11.63	2.77
35	5.91	1.34	7.06	1.61	8.19	1.90	8.75	2.06	9.31	2.22	10.44	2.57	11.63	2.94	
37	5.91	1.41	7.06	1.70	8.19	2.01	8.75	2.18	9.31	2.36	10.44	2.73	11.63	3.13	
39	5.91	1.49	7.06	1.79	8.19	2.13	8.75	2.31	9.31	2.50	10.44	2.89	11.63	3.32	
41	5.91	1.55	7.06	1.87	8.19	2.21	8.75	2.41	9.31	2.61	10.44	3.05	11.63	3.48	
43	5.91	1.66	7.06	2.00	8.19	2.28	8.75	2.52	9.31	2.67	10.44	3.20	11.63	3.63	
45	5.91	1.70	7.06	2.05	8.19	2.44	8.75	2.72	9.31	2.79	10.44	3.51	11.63	3.94	
48	5.91	1.74	7.06	2.11	8.19	2.58	8.75	2.89	9.31	2.91	10.44	3.79	11.63	4.24	

Note:

- 1, [] is tested under our condition.
- 2, In cooling mode, avoid the outdoor air temperature range from 42-46 degree C, when selecting the models
- 3, The above table shows the average value of conditions may operate
- 4, It is recommended to connect less than 130%

Heating

Combination (%) (Capacity index)	Outdoor Air temperature (°C DB)		Indoor temperature(°C WB)											
			16		18		20		21		22		24	
			TC	PI	TC	PI	TC	PI	TC	PI	TC	PI	TC	PI
	°C DB	°C WB	kW	kW	kW	kW	kW	kW	kW	kW	kW	kW	kW	kW
130%	-19.8	-20	12.30	3.53	12.24	3.78	12.18	4.03	12.18	4.16	12.12	4.28	12.12	4.53
	-18.8	-19	12.49	3.61	12.43	3.86	12.43	4.10	12.36	4.23	12.36	4.34	12.30	4.59
	-16.7	-17	12.97	3.78	12.91	4.01	12.85	4.25	12.85	4.37	12.85	4.49	12.79	4.72
	-13.7	-15	13.51	3.95	13.45	4.18	13.39	4.41	13.39	4.52	13.33	4.64	13.33	4.86
	-11.8	-13	14.05	4.13	14.05	4.35	13.99	4.56	13.93	4.68	13.93	4.79	13.87	5.00
	-9.8	-11	14.72	4.31	14.66	4.52	14.60	4.73	14.60	4.83	14.60	4.93	14.54	5.14
	-9.5	-10	15.08	4.40	15.02	4.60	14.96	4.81	14.96	4.91	14.90	5.01	14.90	5.21
	-8.5	-9.1	15.38	4.48	15.32	4.68	15.32	4.88	15.26	4.97	15.26	5.07	15.20	5.27
	-7	-7.6	15.92	4.61	15.92	4.81	15.86	4.99	15.86	5.09	15.80	5.18	15.74	5.38
	-5	-5.6	16.77	4.79	16.71	4.97	16.65	5.15	16.65	5.24	16.59	5.32	16.59	5.51
	-3	-3.7	17.55	4.94	17.49	5.12	17.49	5.29	17.43	5.38	17.43	5.46	17.37	5.63
	0	-0.7	18.94	5.18	18.94	5.34	18.88	5.50	18.88	5.56	18.82	5.66	18.82	5.82
	3	2.2	20.45	5.40	20.39	5.55	20.33	5.69	20.33	5.77	20.33	5.84	20.27	5.99
	5	4.1	21.47	5.53	21.41	5.68	21.41	5.81	21.35	5.88	21.35	5.95	21.29	6.09
	7	6	22.56	5.66	22.50	5.79	22.50	5.93	22.44	5.99	22.44	6.06	21.53	5.82
	120%	-19.8	-20	12.24	3.87	12.18	4.10	12.12	4.33	12.12	4.44	12.12	4.56	12.06
-18.8		-19	12.43	3.94	12.37	4.17	12.37	4.40	12.31	4.51	12.31	4.62	12.24	4.85
-16.7		-17	12.91	4.10	12.85	4.32	12.77	4.53	12.79	4.64	12.79	4.75	12.73	4.97
-13.7		-15	13.45	4.26	13.39	4.47	13.33	4.68	13.33	4.79	13.33	4.89	13.27	5.10
-11.8		-13	14.00	4.42	14.00	4.62	13.93	4.83	13.93	4.93	13.87	5.03	13.87	5.23
-9.8		-11	14.66	4.59	14.60	4.78	14.60	4.97	14.54	5.07	14.54	5.16	14.48	5.36
-9.5		-10	15.02	4.68	14.96	4.86	14.90	5.05	14.90	5.14	14.90	5.23	14.84	5.42
-8.5		-9.1	15.32	4.75	15.26	4.93	15.26	5.11	15.20	5.20	15.20	5.30	15.14	5.48
-7		-7.6	15.86	4.87	15.86	5.05	15.80	5.22	15.80	5.31	15.74	5.40	15.74	5.57
-5		-5.6	16.71	5.03	16.65	5.19	16.59	5.36	16.59	5.45	16.59	5.53	16.53	5.70
-3		-3.7	17.49	5.18	17.49	5.34	17.43	5.49	17.43	5.57	17.37	5.66	17.37	5.81
0		-0.7	18.88	5.40	18.88	5.55	18.82	5.69	18.82	5.77	18.76	5.84	18.76	5.99
3		2.2	20.39	5.60	20.33	5.73	20.33	5.87	20.27	5.94	20.27	6.01	19.85	5.97
5		4.1	21.41	5.72	21.35	5.85	21.35	5.98	21.29	6.05	21.29	6.11	19.85	5.61
7		6	22.50	5.84	22.50	5.96	22.44	6.08	22.08	6.00	21.35	5.75	19.85	5.28
9		7.9	23.65	5.95	23.59	6.07	22.80	5.87	22.08	5.64	21.35	5.41	19.85	4.97
11	9.8	24.85	6.06	24.25	5.95	22.80	5.52	22.08	5.31	21.35	5.09	19.85	4.68	
13	11.8	25.76	6.00	24.25	5.58	22.80	5.18	22.08	4.98	21.35	4.79	19.85	4.40	
15	13.7	25.76	5.65	24.25	5.26	22.80	4.88	22.08	4.69	21.35	4.51	19.85	4.16	
110%	-19.8	-20	12.18	4.21	12.12	4.42	12.06	4.63	12.06	4.73	12.07	4.84	12.00	5.05
	-18.8	-19	12.37	4.27	12.30	4.48	12.30	4.69	12.30	4.79	12.24	4.90	12.24	5.10
	-16.7	-17	12.85	4.42	12.79	4.62	12.97	4.82	12.73	4.92	12.73	5.02	12.67	5.21
	-13.7	-15	13.39	4.57	13.33	4.76	13.27	4.95	13.27	5.05	13.27	5.14	13.21	5.33
	-11.8	-13	13.93	4.72	13.93	4.90	13.87	5.08	13.87	5.18	13.81	5.27	13.81	5.45
	-9.8	-11	14.60	4.87	14.54	5.05	14.54	5.22	14.48	5.31	14.48	5.40	14.48	5.57
	-9.5	-10	14.96	4.95	14.90	5.12	14.84	5.29	14.84	5.38	14.84	5.46	14.78	5.63
	-8.5	-9.1	15.26	5.01	15.20	5.18	15.20	5.35	15.14	5.44	15.14	5.52	15.14	5.03
	-7	-7.6	15.80	5.13	15.80	5.29	15.74	5.45	15.74	5.53	15.74	5.61	15.68	5.77
	-5	-5.6	16.65	5.27	16.59	5.43	16.53	5.58	16.53	5.66	16.53	5.73	16.47	5.89
	-3	-3.7	17.43	5.41	17.43	5.55	17.37	5.70	17.37	5.77	17.31	5.84	17.31	5.99
	0	-0.7	18.82	5.61	18.82	5.75	18.76	5.88	18.76	5.95	18.76	6.02	18.22	5.90
	3	2.2	20.33	5.80	20.27	5.92	20.27	6.05	20.21	6.10	19.54	5.86	18.22	5.37
	5	4.1	21.35	5.91	21.35	6.03	20.93	5.97	20.21	5.73	19.54	5.51	18.22	5.05
	7	6	22.44	6.02	22.26	6.06	20.93	5.61	20.21	5.39	19.54	5.18	18.22	4.75
	9	7.9	23.58	6.12	22.26	5.69	20.93	5.28	20.21	5.07	19.54	4.87	18.22	4.48
11	9.8	23.58	5.75	22.26	5.36	20.93	4.97	20.21	4.78	19.54	4.59	18.22	4.23	
13	11.8	23.58	5.40	22.26	5.03	20.93	4.67	20.21	4.49	19.54	4.32	18.22	3.98	
15	13.7	23.58	4.79	22.26	4.74	20.93	4.41	20.21	4.24	19.54	4.08	18.22	3.77	
100%	-19.8	-20	12.12	4.55	12.06	4.73	12.06	4.93	12.00	5.03	12.00	5.12	11.94	5.31
	-18.8	-19	12.30	4.60	12.30	4.79	12.24	4.98	12.24	5.08	12.18	5.18	12.18	5.36

	-5	-5.6	14.99	5.45	14.14	5.08	13.30	4.71	12.82	4.53	12.40	5.35	11.56	4.02
	-3	-3.7	14.99	5.13	14.14	4.79	13.30	4.45	12.82	4.28	12.40	4.12	11.56	3.80
	0	-0.7	14.99	4.67	14.14	4.36	13.30	4.06	12.82	3.91	12.40	3.77	11.56	3.48
	3	2.2	14.99	4.27	14.14	3.99	13.30	3.72	12.82	3.58	12.40	3.45	11.56	3.19
	5	4.1	14.99	4.03	14.14	3.77	13.30	3.52	12.82	3.39	12.40	3.27	11.56	3.03
	7	6	14.99	3.80	14.14	3.56	13.30	3.32	12.82	3.21	12.40	3.10	11.56	2.87
	9	7.9	14.99	3.60	14.14	3.37	13.30	3.15	12.82	3.04	12.40	2.93	11.56	2.72
	11	9.8	14.99	3.40	14.14	3.19	13.30	2.99	12.82	2.88	12.40	2.79	11.56	2.58
	13	11.8	14.99	3.21	14.14	3.02	13.30	2.82	12.82	2.73	12.40	2.64	11.56	2.45
	15	13.7	14.99	3.05	14.14	2.86	13.30	2.68	12.82	2.60	12.40	2.51	11.56	2.34
60%	-19.8	-20	11.88	5.90	11.82	6.01	11.40	5.78	11.04	5.55	10.68	5.33	9.95	4.89
	-18.8	-19	12.06	5.93	12.06	6.05	11.40	5.66	11.04	5.43	10.68	5.21	9.95	4.79
	-16.7	-17	12.55	6.01	12.12	5.82	11.40	5.40	11.04	5.19	10.68	4.98	9.95	4.58
	-13.7	-15	12.85	5.95	12.12	5.53	11.40	5.13	11.04	4.93	10.68	4.74	9.95	4.36
	-11.8	-13	12.85	5.63	12.12	5.24	11.40	4.86	11.04	4.68	10.68	4.50	9.95	4.16
	-9.8	-11	12.85	5.32	12.12	4.95	11.40	4.60	11.04	4.43	10.68	4.26	9.95	3.93
	-9.5	-10	12.85	5.17	12.12	4.82	11.40	4.47	11.04	4.31	10.68	4.14	9.95	3.82
	-8.5	-9.1	12.85	5.03	12.12	4.69	11.40	4.36	11.04	4.20	10.68	4.04	9.95	3.73
	-7	-7.6	12.85	4.81	12.12	4.49	11.40	4.18	11.04	4.03	10.68	3.87	9.95	3.58
	-5	-5.6	12.85	4.53	12.12	4.23	11.40	3.94	11.04	3.80	10.68	3.66	9.95	3.38
	-3	-3.7	12.85	4.28	12.12	4.00	11.40	3.73	11.04	3.60	10.68	3.46	9.95	3.20
	0	-0.7	12.85	3.91	12.12	3.66	11.40	3.42	11.04	3.30	10.68	3.18	9.95	2.94
	3	2.2	12.85	3.58	12.12	3.36	11.40	3.14	11.04	3.03	10.68	2.93	9.95	2.71
	5	4.1	12.85	3.39	12.12	3.18	11.40	2.97	11.04	2.88	10.68	2.77	9.95	2.58
	7	6	12.85	3.21	12.12	3.01	11.40	2.82	11.04	2.73	10.68	2.64	9.95	2.45
9	7.9	12.85	3.04	12.12	2.86	11.40	2.68	11.04	2.59	10.68	2.50	9.95	2.33	
11	9.8	12.85	2.88	12.12	2.71	11.40	2.55	11.04	2.46	10.68	2.38	9.95	2.22	
13	11.8	12.85	2.73	12.12	2.57	11.40	2.42	11.04	2.34	10.68	2.26	9.95	2.11	
15	13.7	12.85	2.60	12.12	2.44	11.40	2.30	11.04	2.23	10.68	2.16	9.95	2.01	
50%	-19.8	-20	10.70	5.36	10.10	4.99	9.50	4.64	9.14	4.47	8.84	4.29	8.24	3.95
	-18.8	-19	10.70	5.25	10.10	4.89	9.50	4.55	9.14	4.37	8.84	4.20	8.24	3.88
	-16.7	-17	10.70	5.01	10.10	4.67	9.50	4.34	9.14	4.18	8.84	4.03	8.24	3.71
	-13.7	-15	10.70	4.77	10.10	4.45	9.50	4.14	9.14	3.99	8.84	3.84	8.24	3.55
	-11.8	-13	10.70	4.53	10.10	4.23	9.50	3.93	9.14	3.79	8.84	3.65	8.24	3.38
	-9.8	-11	10.70	4.29	10.10	4.01	9.50	3.73	9.14	3.60	8.84	3.47	8.24	3.21
	-9.5	-10	10.70	4.17	10.10	3.90	9.50	3.64	9.14	3.51	8.84	3.38	8.24	3.12
	-8.5	-9.1	10.70	4.06	10.10	3.81	9.50	3.55	9.14	3.42	8.84	3.30	8.24	3.05
	-7	-7.6	10.70	3.90	10.10	3.65	9.50	3.40	9.14	3.29	8.84	3.17	8.24	2.93
	-5	-5.6	10.70	3.68	10.10	3.45	9.50	3.22	9.14	3.11	8.84	3.00	8.24	2.78
	-3	-3.7	10.70	3.48	10.10	3.27	9.50	3.05	9.14	2.95	8.84	2.84	8.24	2.64
	0	-0.7	10.70	3.19	10.10	3.00	9.50	2.81	9.14	2.71	8.84	2.62	8.24	2.44
	3	2.2	10.70	2.94	10.10	2.77	9.50	2.59	9.14	2.51	8.84	2.42	8.24	2.26
	5	4.1	10.70	2.79	10.10	2.62	9.50	2.46	9.14	2.38	8.84	2.31	8.24	2.15
	7	6	10.70	2.65	10.10	2.49	9.50	2.34	9.14	2.27	8.84	2.19	8.24	2.05
9	7.9	10.70	2.51	10.10	2.37	9.50	2.23	9.14	2.16	8.84	2.09	8.24	1.95	
11	9.8	10.70	2.39	10.10	2.25	9.50	2.12	9.14	2.06	8.84	1.99	8.24	1.86	
13	11.8	10.70	2.27	10.10	2.14	9.50	2.02	9.14	1.96	8.84	1.90	8.24	1.78	
15	13.7	10.70	2.16	10.10	2.05	9.50	1.93	9.14	1.87	8.84	1.81	8.24	1.70	

Note:

- 1, [] is tested under our condition.
- 2, In heating mode, avoid the outdoor air temperature range from -15 to -20 degree C, when selecting the models
- 3, The above table shows the average value of conditions may operate
- 4, It is recommended to connect less than 130%

8. Electric Characteristics

Model	Outdoor Unit				Power Supply		Compressor	OFM	
	Hz	Voltage	Min.	Max.	TOCA	MFA	RLA	kW	FLA
MDV-V120W/DRN1	50	380V~415V	342V	440V	15	25A	9.3	2*0.1	2*0.9
MDV-V140W/DRN1	50	380V~415V	342V	440V	15	25A	9.3	2*0.1	2*0.9
MDV-V160W/DRN1	50	380V~415V	342V	440V	15	25A	12	2*0.1	2*0.9
MDV-V180W/DRN1	50	380V~415V	342V	440V	15	25A	12	2*0.1	2*0.9

Remark:

TOCA: Total Over-current Amps. (A)

MFA: Max. Fuse Amps. (A)

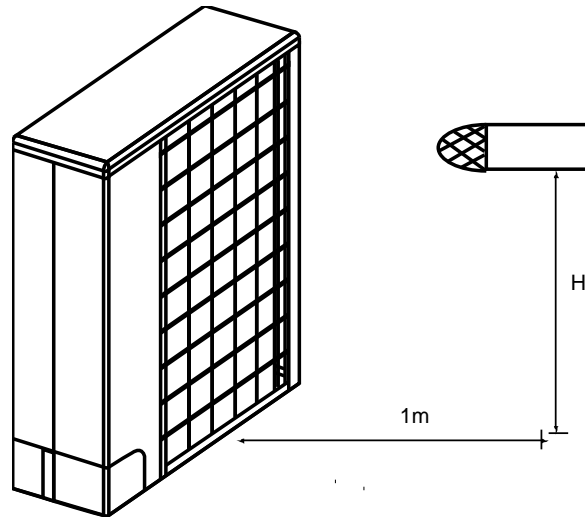
RLA: Rated Locked Amps. (A)

OFM: Outdoor Fan Motor.

FLA: Full Load Amps. (A)

KW: Rated Motor Output (KW)

9. Sound Levels



Model	Noise level dB(A)	Height (m)
MDV-V120W/DRN1	57	1.2
MDV-V140W/DRN1	57	1.2
MDV-V160W/DRN1	57	1.2
MDV-V180W/DRN1	59	1.2

10. Operation Limits

