

# Compact Four-way Cassette Type

1. Features .....	2
2. Specifications .....	4
3. Dimensions .....	6
4. Service Space .....	7
5. Piping Diagram(EXV beside) .....	8
6. Wiring Diagram .....	9
7. Capacity Tables .....	10
8. Electric Characteristics .....	13
9. Sound Levels .....	14
10. Accessories .....	15

\* The specifications will be changed according to the product without notice.

## 1. Features

### (1) Low operation noise, quiet design for user comfort

- Streamline plate ensures quietness
- Creates natural and comfortable environment

### (2) Efficient cooling

- Equal, fast and wide—range cooling



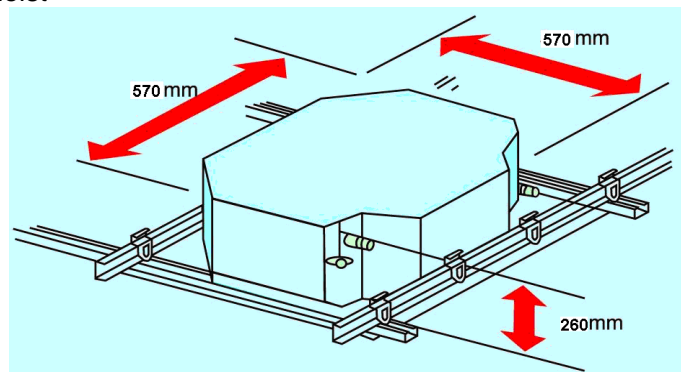
### (3) The adoption of the most advanced 3- Dimensional Screw fan

- Reduces the air resistance passing through
- Smooths air flow
- Makes air speed distribution to the heat exchange uniform



### (4) Improvement for easy installation and maintenance

- Little space is required for installation into a shallow ceiling,
- Because of the compactness and weight reduction of the main unit and panel, all models can be installed without a hoist



**(6) Inside E-box design**

The E-box is simply and safely built inside the indoor unit, of which ceiling side is 600mm\*600mm. It is convenient to install and maintain. Checking the control part is easy, you only need to open the air return grille.

## 2. Specifications

Model			MDV-D22Q4/N1-A2	MDV-D28Q4/N1-A2
Power supply		V-Ph-Hz	220-240V-1Ph~50Hz	220-240V-1Ph~50Hz
Cooling	Capacity	kW	2.2	2.8
	Input	W	51	52
	Rated current	A	0.175	0.175
Heating	Capacity	kW	2.4	3.2
	Input	W	43	44
	Rated current	A	0.175	0.175
Indoor fan motor	Model		YDK15-6M	YDK15-6M
	Type		AC Motor	AC Motor
	Input	W	34.3	34.3
	Capacitor	uF	1.2uF/450V	1.2uF/450V
	Speed(hi/mi/lo)	r/min	658/586/485	658/586/485
Indoor coil	Number of rows		1	1
	Tube pitch(a) * row pitch(b)	Mm	21*13.37	21*13.37
	Fin spacing	Mm	1.3	1.3
	Fin type (code)		Hydrophilic aluminium	
	Tube outside dia. and type	Mm	Φ7	Φ7
	Coil length * height * width	Mm	1310*210*13.37	
	Number of circuits		2	2
Indoor air flow (Hi/Me/Lo)		m3/h	522/414/313	522/414/313
Sound level (sound pressure)		dB(A)	35.8/33.4/23.4	35.8/33.4/23.4
Indoor unit	Dimension (W * H * D)	Mm	630*260*575	630*260*575
	Packing (W * H * D)	Mm	675*285*675	675*285*675
	Net/Gross weight	Kg	16/20	16/20
Panel	Dimension (W * H * D)	Mm	647*50*647	647*50*647
	Packing (W * H * D)	Mm	705*113*705	705*113*705
	Net/Gross weight	Kg	3/5	3/5
Refrigerant	Type		R410a	R410a
Throttle			Electric expansive valve	
Design pressure		MPa	4.4/2.6	4.4/2.6
Refrigerant piping	Liquid side/ Gas side	Mm	6.35/12.7	6.35/12.7
Connection wiring	Power wiring	mm2	3*2.0	
	Signal wiring	mm2	3*0.75 (3-core shielded wire)	
Drainage water pipe dia.		Mm	Φ25	Φ25
Wireless remote controller			R51/E(Standard)	
Operation temp		℃	Cooling: 17~32; Heating:10~28	

### Notes:

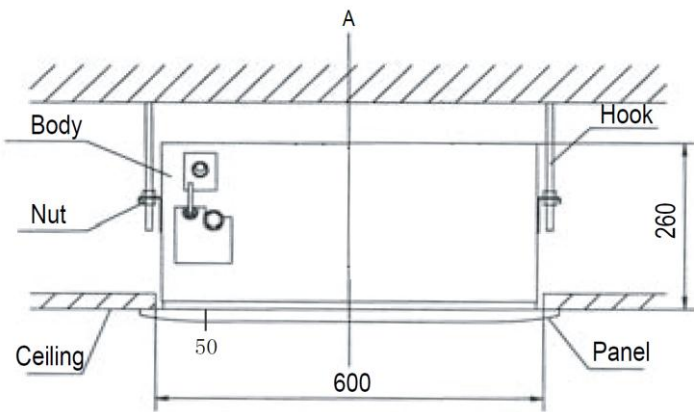
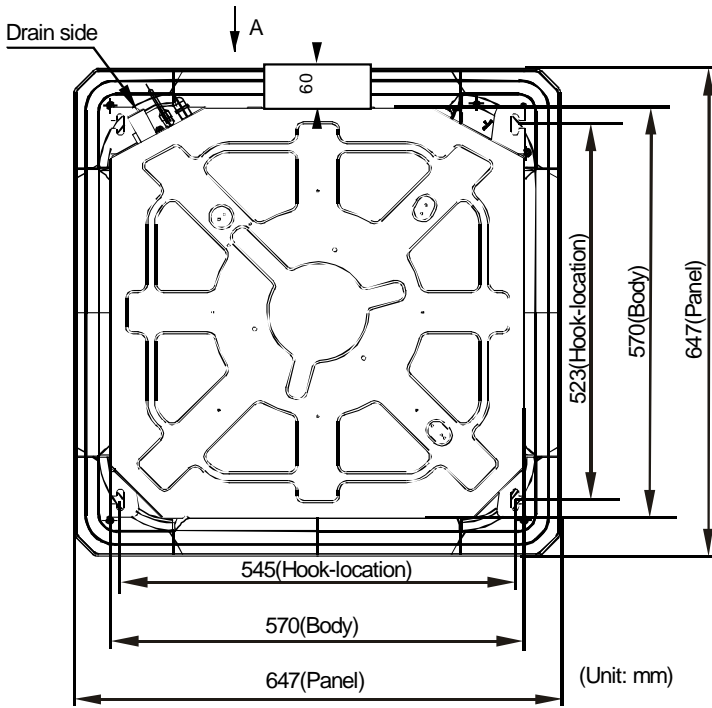
- Nominal cooling capacities are based on the following conditions: return air temp.: 27°CDB, 19°CWB, and outdoor temp.:35°CDB, equivalent ref. piping: 8m (horizontal)
- Nominal heating capacities are based on the following conditions: return air temp.: 20°CDB, outdoor temp.: 7°CDB, 6°CWB, and equivalent ref. Piping: 8m (horizontal)

Model			MDV-D36Q4/N1-A2	MDV-D45Q4/N1-A2
Power supply		V-ph-Hz	220~240-1-50	220~240-1-50
Cooling	Capacity	kW	3.6	4.5
	Input	W	58	58
	Rated current	A	0.21	0.21
Heating	Capacity	kW	4.0	5.0
	Input	W	50	51
	Rated current	A	0.21	0.21
Indoor fan motor	Model		YDK15-6P	YDK15-6P
	Type		AC MOTOR	AC MOTOR
	Input	W	47.1	47.1
	Capacitor	uF	1.5uF/450V	1.5uF/450V
	Speed(hi/mi/lo)	r/min	780/670/540	780/670/540
Indoor coil	Number of rows		2	2
	Tube pitch(a) * row pitch(b)	Mm	21*13.37	21*13.37
	Fin spacing	Mm	1.3	1.3
	Fin type (code)		Hydrophilic aluminium	
	Tube outside dia. and type	Mm	Φ7	Φ7
			Inner groove tube	
	Coil length * height * width	Mm	1310*210*26.74	1310*210*26.74
Number of circuits		4	4	
Indoor air flow (Hi/Me/Lo)		m3/h	610/521/409	610/521/409
Sound level (sound pressure)		dB(A)	41.5/35.6/28.8	41.5/35.6/28.8
Indoor unit	Dimension (W * H * D)	Mm	630*260*575	630*260*575
	Packing (W * H * D)	Mm	675*285*675	675*285*675
	Net/Gross weight	Kg	19/23.5	19/23.5
Panel	Dimension (W* H* D)	Mm	647*50*647	647*50*647
	Packing (W* H * D)	Mm	705*113*705	705*113*705
	Net/Gross weight	Kg	3/5	3/5
Refrigerant	Type		R410a	R410a
Throttle			Electric expansive valve	
Design pressure		MPa	4.4/2.6	4.4/2.6
Refrigerant piping	Liquid side/ Gas side	Mm	6.35/12.7	6.35/12.7
Connection wiring	Power wiring	mm2	3*2.0	3*2.0
	Signal wiring	mm2	3*0.75 (3-core shielded wire)	
Drainage water pipe dia.		Mm	Φ25	Φ25
Wireless remote controller			R51/E(Standard)	
Operation temp		℃	Cooling: 17~32; Heating:10~28	

**Notes:**

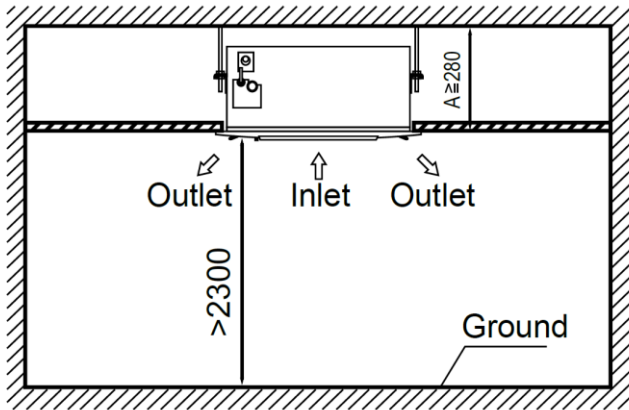
- Nominal cooling capacities are based on the following conditions: return air temp.: 27°CDB, 19°CWB, and outdoor temp.:35°CDB, equivalent ref. piping: 8m (horizontal)
- Nominal heating capacities are based on the following conditions: return air temp.: 20°CDB, outdoor temp.: 7°CDB, 6°CWB, and equivalent ref. Piping: 8m (horizontal)

### 3. Dimensions

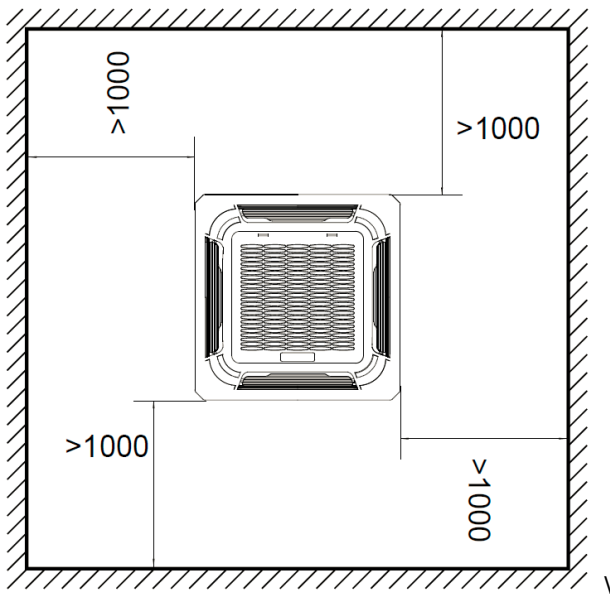


### 4. Service Space

- 1) There is enough room for installation and maintenance.
- 2) The ceiling is horizontal, and its structure can endure the weight of the indoor unit.
- 3) The outlet and the inlet are not impeded, and the influence of external air is the least.
- 4) The air flow can reach throughout the room.
- 5) The connecting pipe and drainpipe could be extracted out easily.
- 6) There is no direct radiation from heaters.

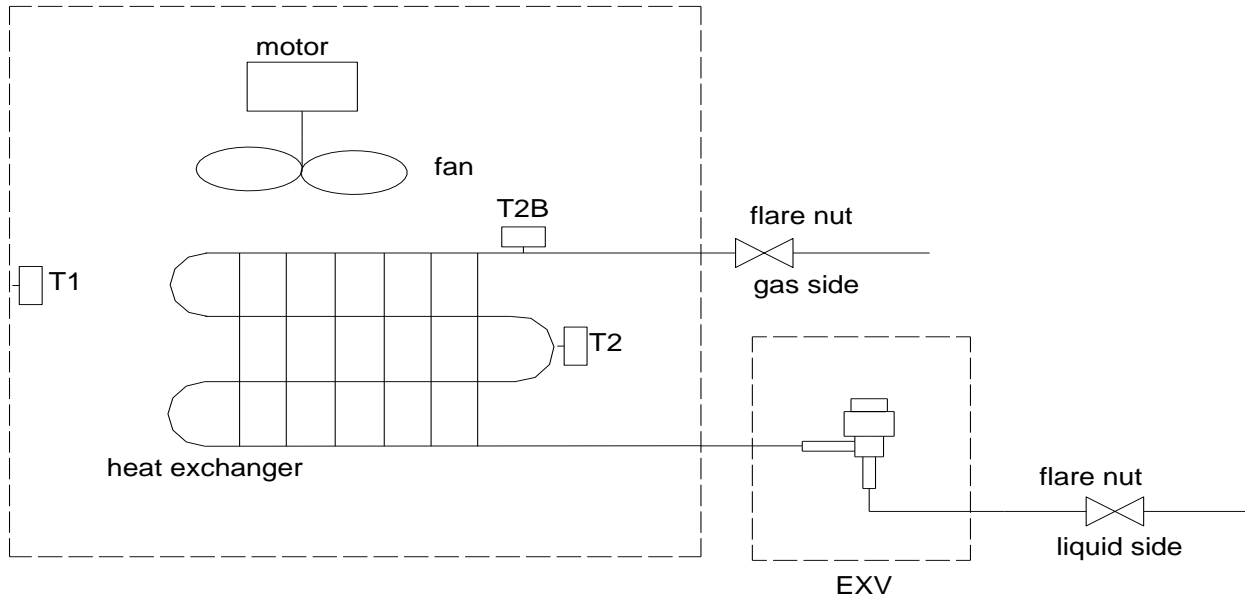


- Keep more than 2.3m distance between the panel and ground of the room.



- Keep at least 1m to the wall of each side.

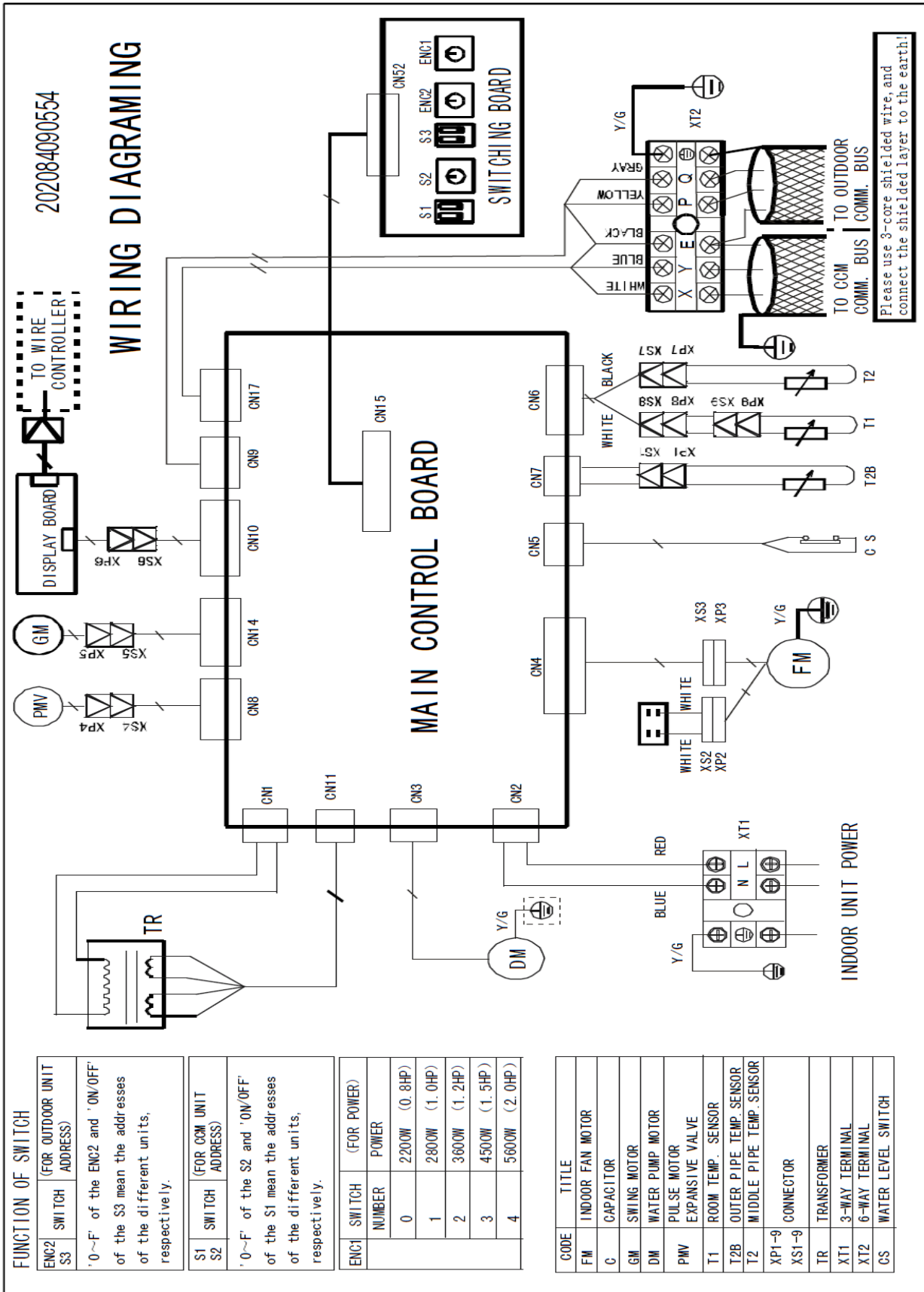
### 5. Piping Diagram (EXV beside)





# 6. Wiring Diagram

MDV-D22Q4/N1-A2 MDV-D28Q4/N1-A2 MDV-D36Q4/N1-A2 MDV-D45Q4/N1-A2



## 7. Capacity Tables

### 7.1 Cooling

TC: total capacity    SC: sensible capacity    WB: wet-bulb temperature    DB: dry-bulb temperature

Indoor Unit size (kW)	Outdoor temperature (°C DB)	Indoor temperature (°C WB/DB)													
		14/20		16/23		18/26		19/27		20/28		22/30		24/32	
		TC kW	SC kW	TC kW	SC kW	TC kW	SC kW	TC kW	SC kW	TC kW	SC kW	TC kW	SC kW	TC kW	SC kW
2.2	10.0	1.5	1.4	1.8	1.5	2.1	1.6	2.2	1.6	2.3	1.7	2.6	1.7	2.9	1.7
	12.0	1.5	1.4	1.8	1.5	2.1	1.6	2.2	1.6	2.3	1.7	2.6	1.7	2.8	1.6
	14.0	1.5	1.4	1.8	1.5	2.1	1.6	2.2	1.6	2.3	1.7	2.6	1.7	2.8	1.6
	16.0	1.5	1.4	1.8	1.5	2.1	1.6	2.2	1.6	2.3	1.7	2.6	1.7	2.8	1.6
	18.0	1.5	1.4	1.8	1.5	2.1	1.6	2.2	1.6	2.3	1.7	2.6	1.7	2.8	1.6
	20.0	1.5	1.4	1.8	1.5	2.1	1.6	2.2	1.6	2.3	1.7	2.6	1.7	2.7	1.5
	21.0	1.5	1.4	1.8	1.5	2.1	1.6	2.2	1.6	2.3	1.7	2.6	1.7	2.7	1.5
	23.0	1.5	1.4	1.8	1.5	2.1	1.6	2.2	1.6	2.3	1.7	2.5	1.6	2.7	1.5
	25.0	1.5	1.4	1.8	1.5	2.1	1.6	2.2	1.6	2.3	1.7	2.5	1.6	2.6	1.5
	27.0	1.5	1.4	1.8	1.5	2.1	1.6	2.2	1.6	2.3	1.7	2.5	1.6	2.6	1.5
	29.0	1.5	1.4	1.8	1.5	2.1	1.6	2.2	1.6	2.3	1.7	2.4	1.5	2.5	1.5
	31.0	1.5	1.4	1.8	1.5	2.1	1.6	2.2	1.6	2.3	1.7	2.4	1.5	2.5	1.5
	33.0	1.5	1.4	1.8	1.5	2.1	1.6	2.2	1.6	2.3	1.7	2.4	1.5	2.4	1.5
	35.0	1.5	1.4	1.8	1.5	2.1	1.6	2.2	1.6	2.3	1.7	2.3	1.5	2.4	1.5
	37.0	1.5	1.4	1.8	1.5	2.1	1.6	2.2	1.6	2.3	1.7	2.3	1.5	2.3	1.5
	39.0	1.5	1.4	1.8	1.5	2.1	1.6	2.2	1.6	2.2	1.6	2.3	1.5	2.3	1.5
42.0	1.5	1.4	1.8	1.5	2.1	1.6	2.2	1.6	2.2	1.6	2.3	1.5	2.3	1.5	
44.0	1.5	1.4	1.8	1.5	2.1	1.6	2.2	1.6	2.2	1.6	2.3	1.5	2.3	1.5	
46.0	1.5	1.4	1.8	1.5	2.1	1.6	2.2	1.6	2.2	1.6	2.3	1.5	2.3	1.5	
2.8	10.0	1.9	1.6	2.3	1.8	2.6	1.9	2.8	1.9	3.0	1.9	3.3	2.0	3.7	2.0
	12.0	1.9	1.6	2.3	1.8	2.6	1.9	2.8	1.9	3.0	1.9	3.3	2.0	3.6	2.0
	14.0	1.9	1.6	2.3	1.8	2.6	1.9	2.8	1.9	3.0	1.9	3.3	2.0	3.6	2.0
	16.0	1.9	1.6	2.3	1.8	2.6	1.9	2.8	1.9	3.0	1.9	3.3	2.0	3.5	1.9
	18.0	1.9	1.6	2.3	1.8	2.6	1.9	2.8	1.9	3.0	1.9	3.3	2.0	3.5	1.9
	20.0	1.9	1.6	2.3	1.8	2.6	1.9	2.8	1.9	3.0	1.9	3.3	2.0	3.4	1.9
	21.0	1.9	1.6	2.3	1.8	2.6	1.9	2.8	1.9	3.0	1.9	3.3	2.0	3.4	1.9
	23.0	1.9	1.6	2.3	1.8	2.6	1.9	2.8	1.9	3.0	1.9	3.3	2.0	3.4	1.9
	25.0	1.9	1.6	2.3	1.8	2.6	1.9	2.8	1.9	3.0	1.9	3.2	1.9	3.3	1.9
	27.0	1.9	1.6	2.3	1.8	2.6	1.9	2.8	1.9	3.0	1.9	3.2	1.9	3.3	1.9
	29.0	1.9	1.6	2.3	1.8	2.6	1.9	2.8	1.9	3.0	1.9	3.1	1.8	3.2	1.8
	31.0	1.9	1.6	2.3	1.8	2.6	1.9	2.8	1.9	3.0	1.9	3.1	1.8	3.2	1.7
	33.0	1.9	1.6	2.3	1.8	2.6	1.9	2.8	1.9	3.0	1.9	3.1	1.8	3.1	1.7
	35.0	1.9	1.6	2.3	1.8	2.6	1.9	2.8	1.9	2.9	1.9	3.0	1.8	3.1	1.7
	37.0	1.9	1.6	2.3	1.8	2.6	1.9	2.8	1.9	2.9	1.9	3.0	1.8	3.0	1.7
	39.0	1.9	1.6	2.3	1.8	2.6	1.9	2.8	1.9	2.9	1.9	3.0	1.9	3.0	1.7
42.0	1.9	1.6	2.3	1.8	2.6	1.9	2.8	1.9	2.9	1.9	3.0	1.9	3.0	1.7	
44.0	1.9	1.6	2.3	1.8	2.6	1.9	2.8	1.9	2.9	1.9	3.0	1.9	3.0	1.7	
46.0	1.9	1.6	2.3	1.8	2.6	1.9	2.8	1.9	2.9	1.9	3.0	1.9	3.0	1.7	
3.6	10.0	2.5	1.9	2.9	2.1	3.4	2.3	3.6	2.4	3.8	2.5	4.3	2.4	4.7	2.5
	12.0	2.5	1.9	2.9	2.1	3.4	2.3	3.6	2.4	3.8	2.5	4.3	2.4	4.7	2.5
	14.0	2.5	1.9	2.9	2.1	3.4	2.3	3.6	2.4	3.8	2.5	4.3	2.4	4.6	2.4
	16.0	2.5	1.9	2.9	2.1	3.4	2.3	3.6	2.4	3.8	2.5	4.3	2.4	4.5	2.4
	18.0	2.5	1.9	2.9	2.1	3.4	2.3	3.6	2.4	3.8	2.5	4.3	2.4	4.5	2.4
	20.0	2.5	1.9	2.9	2.1	3.4	2.3	3.6	2.4	3.8	2.5	4.3	2.4	4.4	2.3
	21.0	2.5	1.9	2.9	2.1	3.4	2.3	3.6	2.4	3.8	2.5	4.3	2.4	4.4	2.3
	23.0	2.5	1.9	2.9	2.1	3.4	2.3	3.6	2.4	3.8	2.5	4.1	2.3	4.3	2.2
	25.0	2.5	1.9	2.9	2.1	3.4	2.3	3.6	2.4	3.8	2.5	4.1	2.3	4.2	2.2
	27.0	2.5	1.9	2.9	2.1	3.4	2.3	3.6	2.4	3.8	2.5	4.0	2.2	4.2	2.2
	29.0	2.5	1.9	2.9	2.1	3.4	2.3	3.6	2.4	3.8	2.5	4.0	2.2	4.1	2.2
	31.0	2.5	1.9	2.9	2.1	3.4	2.3	3.6	2.4	3.8	2.5	4.2	2.6	4.1	2.2
	33.0	2.5	1.9	2.9	2.1	3.4	2.3	3.6	2.4	3.8	2.5	4.2	2.6	3.9	2.1
	35.0	2.5	1.9	2.9	2.1	3.4	2.3	3.6	2.4	3.8	2.5	4.2	2.6	3.9	2.1
	37.0	2.5	1.9	2.9	2.1	3.4	2.3	3.6	2.4	3.7	2.4	3.8	2.3	3.9	2.1
	39.0	2.5	1.9	2.9	2.1	3.4	2.3	3.6	2.4	3.7	2.4	3.8	2.3	3.8	2.1
42.0	2.5	1.9	2.9	2.1	3.4	2.3	3.6	2.4	3.7	2.4	3.8	2.3	3.8	2.1	

	44.0	2.5	1.9	2.9	2.1	3.4	2.3	3.6	2.4	3.7	2.4	3.8	2.3	3.8	2.1
	46.0	2.5	1.9	2.9	2.1	3.4	2.3	3.6	2.4	3.7	2.4	3.8	2.3	3.8	2.1
4.5	10.0	3.1	2.4	3.7	2.6	4.2	2.8	4.5	2.9	4.8	3.0	5.3	3.4	5.9	3.0
	12.0	3.1	2.4	3.7	2.6	4.2	2.8	4.5	2.9	4.8	3.0	5.3	3.4	5.9	3.0
	14.0	3.1	2.4	3.7	2.6	4.2	2.8	4.5	2.9	4.8	3.0	5.3	3.4	5.8	3.0
	16.0	3.1	2.4	3.7	2.6	4.2	2.8	4.5	2.9	4.8	3.0	5.3	3.4	5.6	2.9
	18.0	3.1	2.4	3.7	2.6	4.2	2.8	4.5	2.9	4.8	3.0	5.3	3.4	5.7	3.0
	20.0	3.1	2.4	3.7	2.6	4.2	2.8	4.5	2.9	4.8	3.0	5.3	3.4	5.7	3.0
	21.0	3.1	2.4	3.7	2.6	4.2	2.8	4.5	2.9	4.8	3.0	5.3	3.4	5.6	3.0
	23.0	3.1	2.4	3.7	2.6	4.2	2.8	4.5	2.9	4.8	3.0	5.3	3.4	5.5	3.0
	25.0	3.1	2.4	3.7	2.6	4.2	2.8	4.5	2.9	4.8	3.0	5.2	3.0	5.4	2.9
	27.0	3.1	2.4	3.7	2.6	4.2	2.8	4.5	2.9	4.8	3.0	5.1	3.0	5.2	2.8
	29.0	3.1	2.4	3.7	2.6	4.2	2.8	4.5	2.9	4.8	3.0	5.1	2.9	5.2	2.8
	31.0	3.1	2.4	3.7	2.6	4.2	2.8	4.5	2.9	4.8	3.0	5.0	2.9	5.1	2.7
	33.0	3.1	2.4	3.7	2.6	4.2	2.8	4.5	2.9	4.8	3.0	4.9	2.8	5.1	2.7
	35.0	3.1	2.4	3.7	2.6	4.2	2.8	4.5	2.9	4.8	3.0	4.8	2.8	5.0	2.7
	37.0	3.1	2.4	3.7	2.6	4.2	2.8	4.5	2.9	4.8	3.0	4.8	2.9	4.9	2.6
	39.0	3.1	2.4	3.7	2.6	4.2	2.8	4.5	2.9	4.6	2.8	4.7	2.8	4.8	2.6
42.0	3.1	2.4	3.7	2.6	4.2	2.8	4.5	2.9	4.6	2.8	4.7	2.8	4.8	2.6	
44.0	3.1	2.4	3.7	2.6	4.2	2.8	4.5	2.9	4.6	2.8	4.7	2.8	4.8	2.6	
46.0	3.1	2.4	3.7	2.6	4.2	2.8	4.5	2.9	4.6	2.8	4.7	3.1	4.8	2.6	

### 7.2 Heating

TC: total capacity    WB: wet-bulb temperature    DB: dry-bulb temperature

Indoor Unit size (kW)	Outdoor temperature (°C)		Indoor temperature (°C DB)					
			16.00	18.00	20.00	21.00	22.00	24.00
			TC	TC	TC	TC	TC	TC
	WB	DB	kW	kW	kW	kW	kW	kW
2.20	-20	-19.8	1.34	1.34	1.34	1.34	1.34	1.34
	-19	-18.8	1.44	1.44	1.44	1.44	1.44	1.44
	-17	-16.7	1.51	1.51	1.51	1.51	1.51	1.51
	-15	-14.7	1.56	1.56	1.56	1.56	1.56	1.56
	-13.00	-12.60	1.66	1.66	1.66	1.66	1.66	1.66
	-11.00	-10.50	1.68	1.70	1.70	1.70	1.70	1.70
	-10.00	-9.50	1.75	1.75	1.75	1.75	1.75	1.75
	-9.10	-8.50	1.80	1.80	1.80	1.80	1.80	1.80
	-7.60	-7.00	1.82	1.82	1.82	1.82	1.82	1.82
	-5.60	-5.00	1.90	1.90	1.90	1.90	1.90	1.90
	-3.70	-3.00	1.99	1.99	1.99	1.99	1.99	1.99
	-0.70	0.00	2.14	2.14	2.14	2.14	2.14	2.02
	2.20	3.00	2.26	2.26	2.26	2.26	2.21	2.02
	4.10	5.00	2.33	2.33	2.33	2.33	2.21	2.02
	6.00	7.00	2.40	2.40	2.40	2.33	2.21	2.02
	7.90	9.00	2.47	2.47	2.40	2.33	2.21	2.02
9.80	11.00	2.54	2.54	2.40	2.33	2.21	2.02	
11.80	13.00	2.64	2.59	2.40	2.33	2.21	2.02	
13.70	15.00	2.71	2.59	2.40	2.33	2.21	2.02	
2.80	-20	-19.8	1.79	1.79	1.79	1.79	1.79	1.79
	-19	-18.8	1.92	1.92	1.92	1.92	1.92	1.92
	-17	-16.7	2.02	2.02	2.02	2.02	2.02	2.02
	-15	-14.7	2.02	2.02	2.02	2.02	2.02	2.02
	-13.00	-12.60	2.14	2.14	2.14	2.14	2.14	2.14
	-11.00	-10.50	2.24	2.24	2.24	2.24	2.24	2.24
	-10.00	-9.50	2.34	2.34	2.34	2.34	2.34	2.34
	-9.10	-8.50	2.40	2.40	2.40	2.40	2.40	2.40
	-7.60	-7.00	2.43	2.43	2.43	2.43	2.43	2.43
	-5.60	-5.00	2.53	2.53	2.53	2.53	2.53	2.53
	-3.70	-3.00	2.66	2.66	2.66	2.66	2.66	2.66
	-0.70	0.00	2.85	2.85	2.85	2.85	2.85	2.69
	2.20	3.00	3.01	3.01	3.01	3.01	2.94	2.69
	4.10	5.00	3.10	3.10	3.10	3.10	2.94	2.69
	6.00	7.00	3.20	3.20	3.20	3.10	2.94	2.69
	7.90	9.00	3.30	3.30	3.20	3.10	2.94	2.69
9.80	11.00	3.39	3.39	3.20	3.10	2.94	2.69	

	11.80	13.00	3.52	3.46	3.20	3.10	2.94	2.69
	13.70	15.00	3.62	3.46	3.20	3.10	2.94	2.69
3.60	-20	-19.8	2.24	2.24	2.24	2.24	2.24	2.24
	-19	-18.8	2.40	2.40	2.40	2.40	2.40	2.40
	-17	-16.7	2.52	2.52	2.52	2.52	2.52	2.52
	-15	-14.7	2.60	2.60	2.60	2.60	2.60	2.60
	-13.00	-12.60	2.68	2.68	2.68	2.68	2.68	2.68
	-11.00	-10.50	2.80	2.80	2.80	2.80	2.80	2.80
	-10.00	-9.50	2.92	2.92	2.92	2.92	2.92	2.92
	-9.10	-8.50	3.00	3.00	3.00	3.00	3.00	3.00
	-7.60	-7.00	3.04	3.04	3.04	3.04	3.04	3.04
	-5.60	-5.00	3.16	3.16	3.16	3.16	3.16	3.16
	-3.70	-3.00	3.32	3.32	3.32	3.32	3.32	3.32
	-0.70	0.00	3.56	3.56	3.56	3.56	3.56	3.36
	2.20	3.00	3.76	3.76	3.76	3.76	3.68	3.36
	4.10	5.00	3.88	3.88	3.88	3.88	3.68	3.36
	6.00	7.00	4.00	4.00	4.00	3.88	3.68	3.36
	7.90	9.00	4.12	4.12	4.00	3.88	3.68	3.36
9.80	11.00	4.24	4.24	4.00	3.88	3.68	3.36	
11.80	13.00	4.40	4.32	4.00	3.88	3.68	3.36	
13.70	15.00	4.52	4.32	4.00	3.88	3.68	3.36	
4.50	-20	-19.8	2.80	2.80	2.80	2.80	2.80	2.80
	-19	-18.8	3.00	3.00	3.00	3.00	3.00	3.00
	-17	-16.7	3.15	3.15	3.15	3.15	3.15	3.15
	-15	-14.7	3.25	3.25	3.25	3.25	3.25	3.25
	-13.00	-12.60	3.35	3.35	3.35	3.35	3.35	3.35
	-11.00	-10.50	3.50	3.50	3.50	3.50	3.50	3.50
	-10.00	-9.50	3.65	3.65	3.65	3.65	3.65	3.65
	-9.10	-8.50	3.75	3.75	3.75	3.75	3.75	3.75
	-7.60	-7.00	3.80	3.80	3.80	3.80	3.80	3.80
	-5.60	-5.00	3.95	3.95	3.95	3.95	3.95	3.95
	-3.70	-3.00	4.15	4.15	4.15	4.15	4.15	4.15
	-0.70	0.00	4.45	4.45	4.45	4.45	4.45	4.20
	2.20	3.00	4.70	4.70	4.70	4.70	4.60	4.20
	4.10	5.00	4.85	4.85	4.85	4.85	4.60	4.20
	6.00	7.00	5.00	5.00	5.00	4.85	4.60	4.20
	7.90	9.00	5.15	5.15	5.00	4.85	4.60	4.20
9.80	11.00	5.30	5.30	5.00	4.85	4.60	4.20	
11.80	13.00	5.50	5.40	5.00	4.85	4.60	4.20	
13.70	15.00	5.65	5.40	5.00	4.85	4.60	4.20	

## 8. Electric Characteristics

Model	Indoor Unit				Power Supply	IFM	
	Hz	Voltage	Min.	Max.	MFA	kW	FLA
MDV-D22Q4/N1-A2	50	220-240	198	254	5	0.039	0.175
MDV-D28Q4/N1-A2	50	220-240	198	254	5	0.039	0.175
MDV-D36Q4/N1-A2	50	220-240	198	254	5	0.049	0.21
MDV-D45Q4/N1-A2	50	220-240	198	254	5	0.049	0.21

**Remark:**

MCA: Min. Current Amps. (A)

MFA: Max. Fuse Amps. (A)

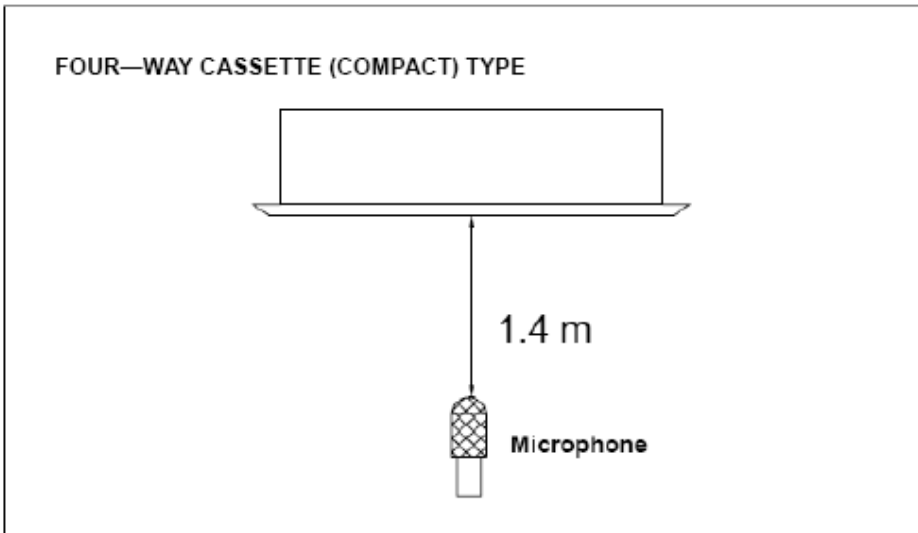
kW: Fan Motor Rated Output (kW)

FLA: Full Load Amps. (A)

IFM: Indoor Fan Motor

# 9. Sound Levels

## 9.1 Test condition



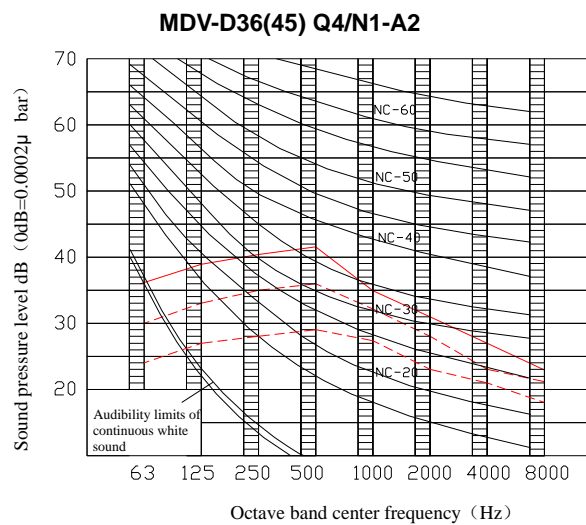
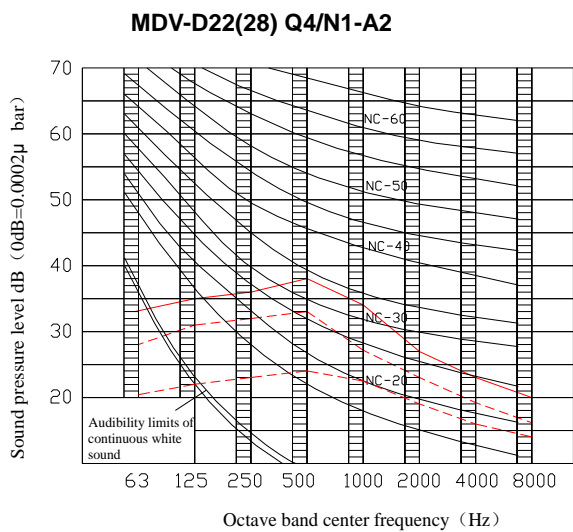
Note:

- 1, During actual operation, these values are normally somewhat higher as a result of ambient conditions.
- 2, Anechoic chamber conversion value, measured at a point 1m in front of the unit at a height of 1.4m.












## 9.2 Test value

Model	Noise level dB(A)		
	H	M	L
MDV-D22Q4/N1-A2	35.8	33.4	23.4
MDV-D28Q4/N1-A2	35.8	33.4	23.4
MDV-D36Q4/N1-A2	41.5	35.6	28.8
MDV-D45Q4/N1-A2	41.5	35.6	28.8

## 9.3 Octave Band Level



**10. Accessories**

Name	Quantity	Outline
1.Nut M10	10	
2.Washer $\Phi$ 10	10	
3. Installation <i>paper board</i>	1	
4. Bolt M6	-	
5. Soundproof / insulation sheath	1	
6. Out-let pipe	1	
7. Out-let pipe sheath	-	
8. Out-let pipe clasp	1	
9. Tightening band	5	
10. Remote controller	1	
11. Frame	1	
12. Mounting screw (ST2.9×10-C-H)	2	
13. Alkaline dry batteries (AM4)	2	
14. Installation manual	1	
15. Signal line	1	
16. Connective pipe for restriction assembly	1	