

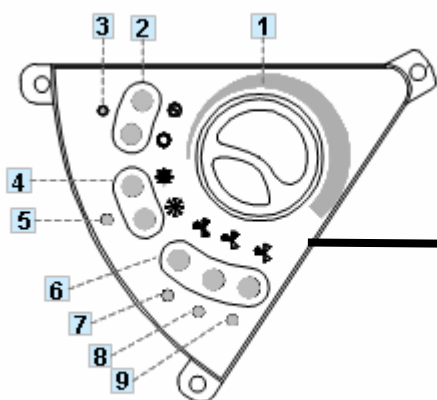
# PRODUCT MANUAL

AC PM05A\_ENG

Date: Nov 2005

Supersedes: - -

## AC Hydronic Controls



# INDEX

<b>AC2800A ELECTRONIC CONTROL</b>	<b>page</b>	<b>3</b>
- FEATURES	page	3
- WIRING DIAGRAM	page	3
<b>AC2800B ELECTRONIC CONTROL</b>	<b>page</b>	<b>4</b>
- FEATURES	page	4
- WIRING DIAGRAM	page	4
<b>AC512 MECHANICAL THERMOSTAT</b>	<b>page</b>	<b>5</b>
- FEATURES	page	5
- WIRING DIAGRAM	page	5
<b>AC513 MECHANICAL THERMOSTAT</b>	<b>page</b>	<b>6</b>
- FEATURES	page	6
- WIRING DIAGRAM	page	6
<b>AC8000 ELECTRONIC THERMOSTAT</b>	<b>page</b>	<b>7</b>
- FEATURES	page	7
- WIRING DIAGRAM	page	7
- OPERATING ISTRUCTION	page	8
<b>AC8000_NIM ELECTRONIC THERMOSTAT</b>	<b>page</b>	<b>9</b>
- FEATURES	page	9
- WIRING DIAGRAM	page	9
- OPERATING ISTRUCTION	page	10
- NIM CONNECTION	page	11

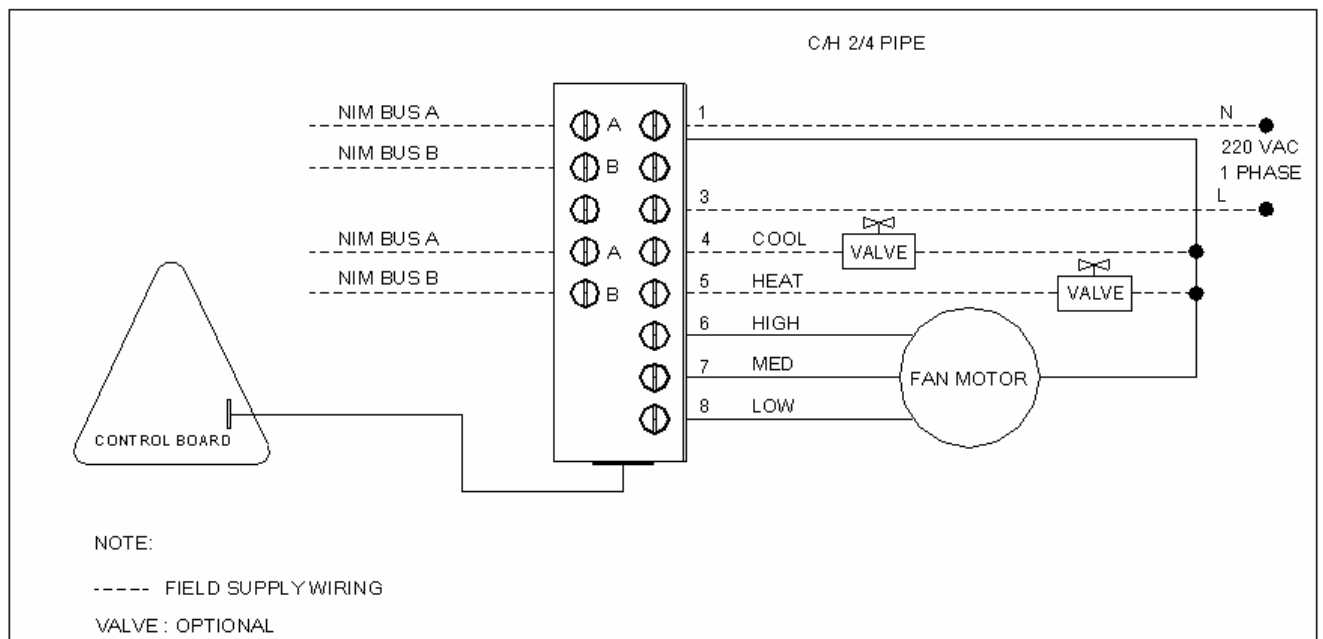
# AC2800A ELECTRONIC CONTROL

## FEATURES

- Cooling /Heating mode
- Fan speed
- LEDs
- Auto-diagnosis
- Coil & Ambient sensors
- Auto-restart
- Integrated NIM module
- Frost protection
- 2 Pipe & 4 Pipe
- Valve control
- **NIM connection**



## WIRING DIAGRAM



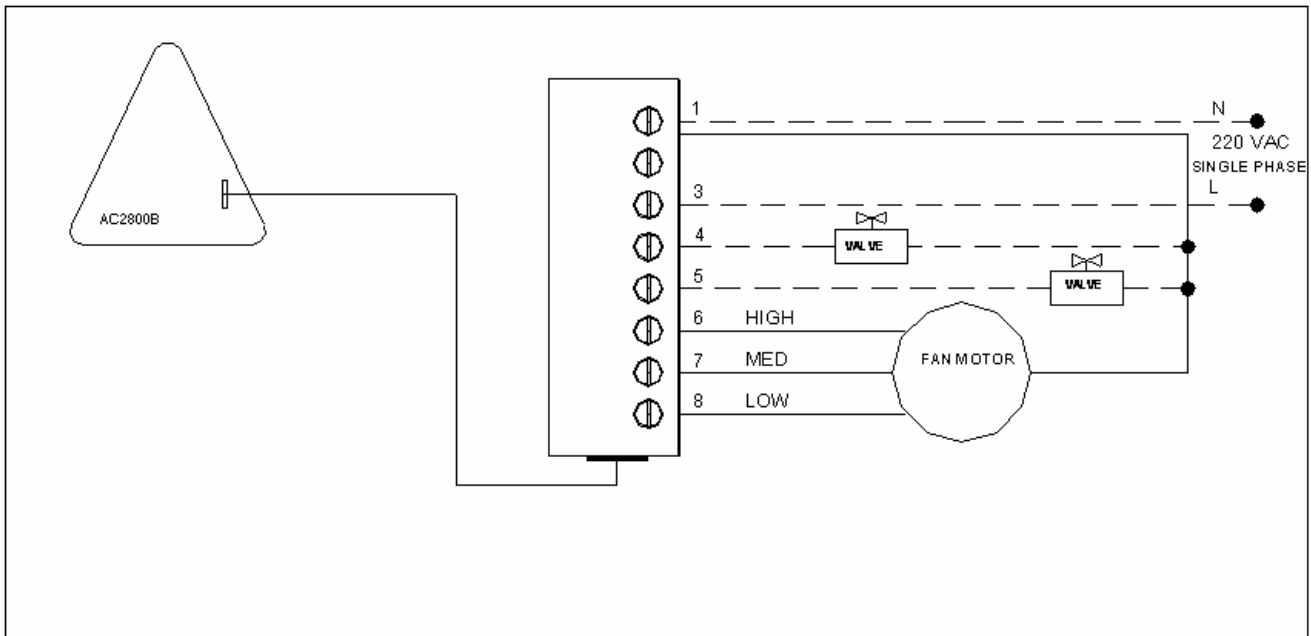
# AC2800A ELECTRONIC CONTROL

## FEATURES

- Cooling /Heating mode
- Fan speed
- LEDs
- Coil & Ambient sensors
- Frost protection
- 2 Pipe & 4 Pipe
- Valve control



## WIRING DIAGRAM



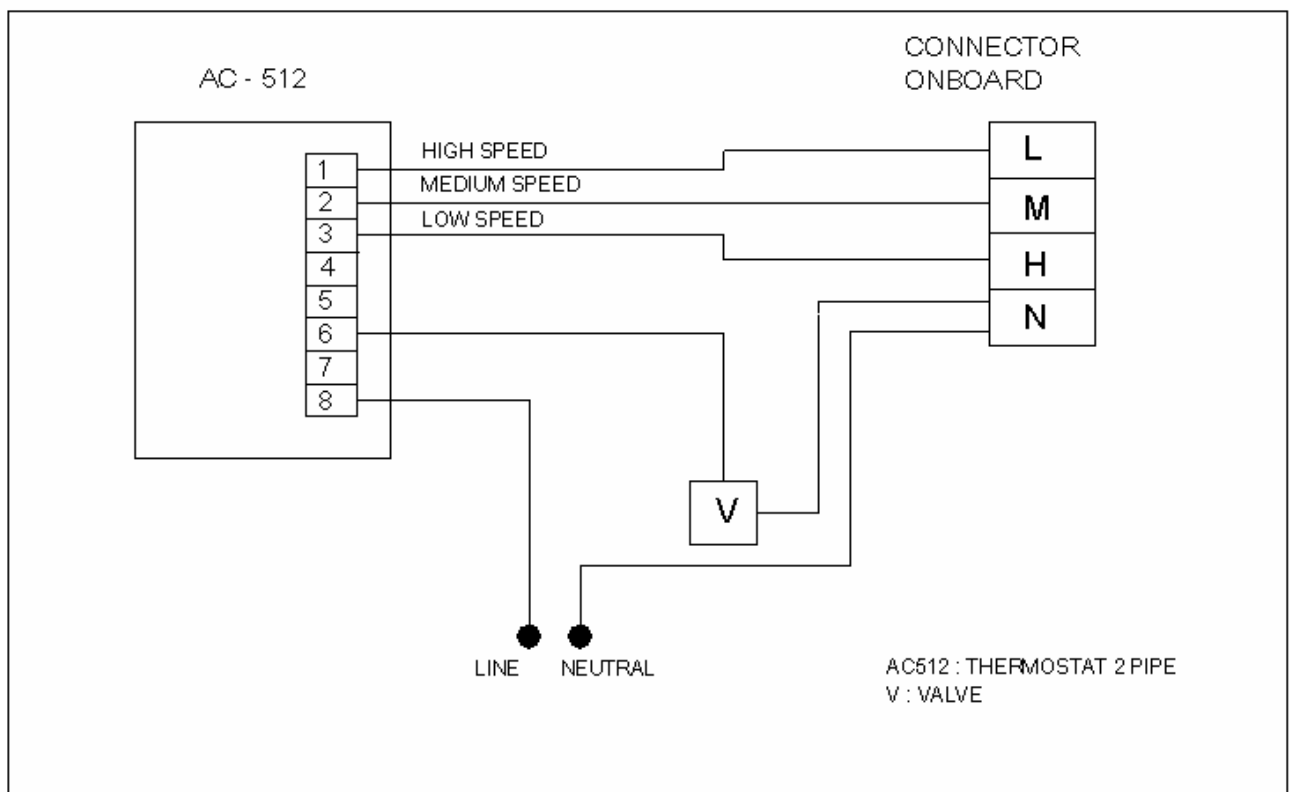
# AC512 MECHANICAL THERMOSTAT

## FEATURES

- Cooling /Heating mode
- Fan speed
- ON/OFF
- Valve control
- 2 Pipe system



## WIRING DIAGRAM



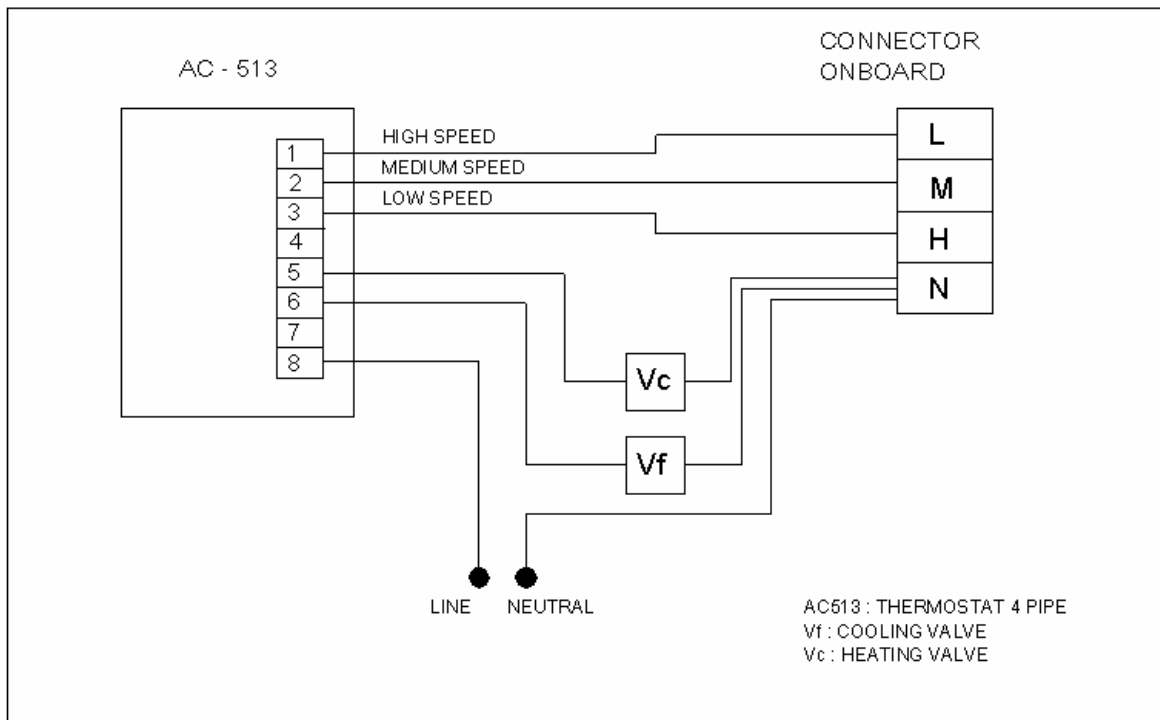
# AC513 MECHANICAL THERMOSTAT

## FEATURES

- Cooling /Heating mode
- Fan speed
- ON/OFF
- Valve control
- 4 Pipe system



## WIRING DIAGRAM



# AC8000 ELECTRONIC THERMOSTAT

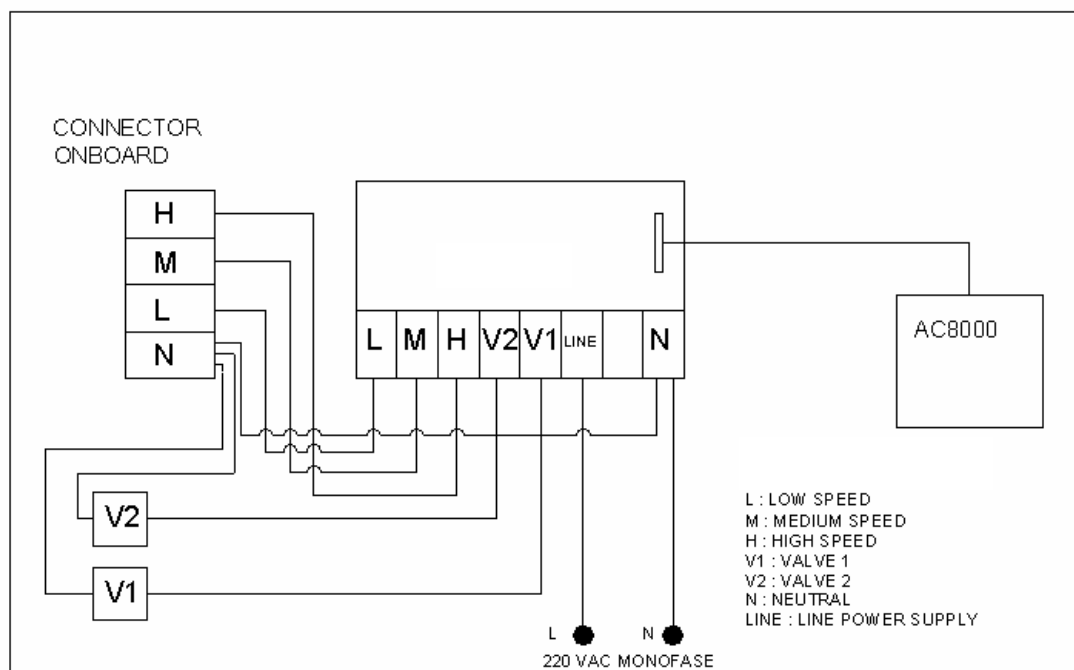
## FEATURES

- ON/OFF
- Cooling /Heating mode
- Fan speed
- LEDs
- Auto-diagnosis
- Coil & Ambient sensors
- Auto-restart
- Frost protection
- 2 Pipe & 4 Pipe
- Valve control
- Wall mount
- Remote control



- |   |                 |
|---|-----------------|
| 1 | ON /OFF         |
| 2 | Cooling/heating |
| 3 | Timer           |
| 4 | Fan speed       |
| 5 | Temperature "+" |
| 6 | Temperature "-" |
| 7 | Backlit display |

## WIRING DIAGRAM



# AC8000 ELECTRONIC THERMOSTAT

## OPERATING INSTRUCTION

### *Display indoor room temperature*

Press setting-key continually once and LCD display indoor temperature.

To exit you have to press any key or wait for 5 sec.

### *Time setting*

**Week setting:** Press setting-key continually 3 times and access to modify week mode. Press Up/Down key to set the week.

**Clock setting:** Press setting-key continually 4 times and access to modify clock mode. Press Up/Down key to set the clock.

To exit you have to press any key or wait for 5 sec.

### *Timer setting*

**Timer setting:** Press setting-key continually 5 times and access to modify timer mode. Press Up/Down key to set the timer.

There are 14 setting timer a week, press setting-key to set next setting timer.

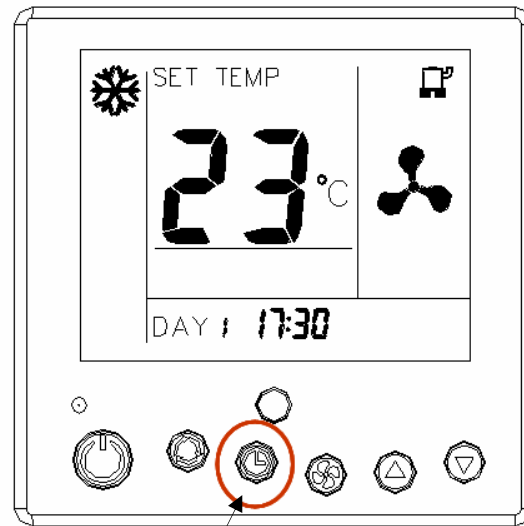
To exit you have to press any key or wait for 5 sec.

### *Timer disable or enable*

Press setting-key continually till display "set clock, set timer" and access to set disable or enable on timer mode.

Press up key to select disable or enable open status or press down key to select disable or enable close status

To exit you have to press any key or wait for 5 sec.



Setting-Key



Electric connector

To AC8000

Power board



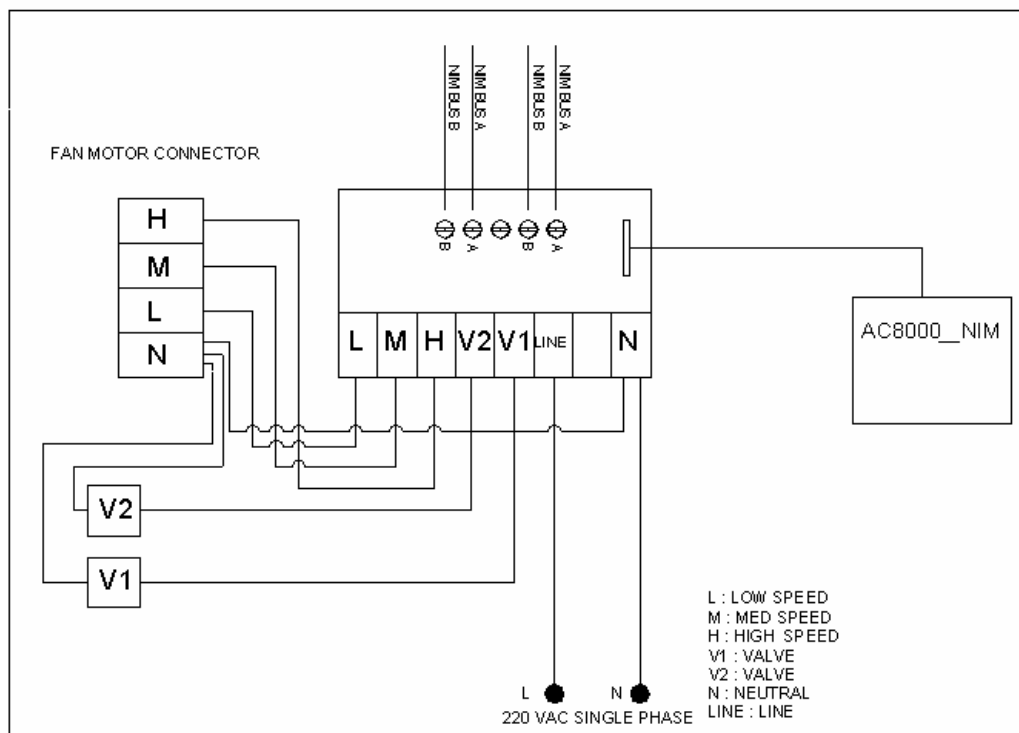
# AC8000\_NIM ELECTRONIC THERMOSTAT

## FEATURES

- ON/OFF
- Cooling /Heating mode
- Fan speed
- LEDs
- Auto-diagnosis
- Coil & Ambient sensors
- Auto-restart
- Frost protection
- 2 Pipe & 4 Pipe
- Valve control
- Wall mount
- Remote control
- **NIM connection**



## WIRING DIAGRAM



# AC8000\_NIM ELECTRONIC THERMOSTAT

## OPERATING INSTRUCTION

### *Display indoor room temperature*

Press setting-key continually once and LCD display indoor temperature.

To exit you have to press any key or wait for 5 sec.

### *Time setting*

**Week setting:** Press setting-key continually 3 times and access to modify week mode. Press Up/Down key to set the week.

**Clock setting:** Press setting-key continually 4 times and access to modify clock mode. Press Up/Down key to set the clock.

To exit you have to press any key or wait for 5 sec.

### *Timer setting*

**Timer setting:** Press setting-key continually 5 times and access to modify timer mode. Press Up/Down key to set the timer.

There are 14 setting timer a week, press setting-key to set next setting timer.

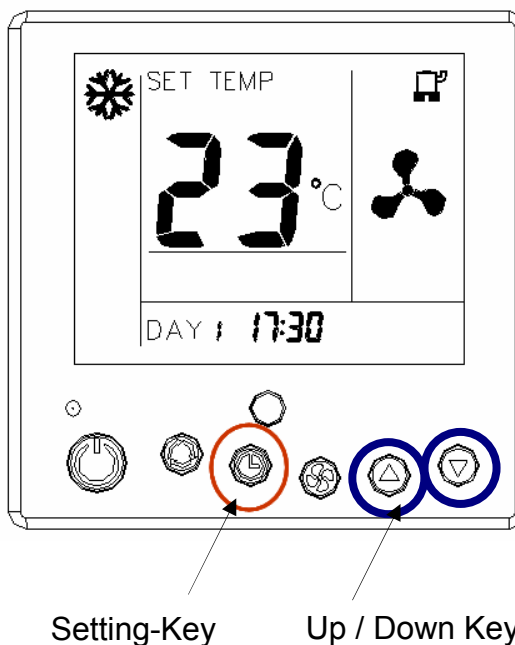
To exit you have to press any key or wait for 5 sec.

### *Timer disable or enable*

Press setting-key continually till display "set clock, set timer" and access to set disable or enable on timer mode.

Press up key to select disable or enable open status or press down key to select disable or enable close status

To exit you have to press any key or wait for 5 sec.



### *NIM setting*

Press setting-key and the LCD display the group number and the unit number.

To modify the settings you have to press continually 5 times and access to modify timer mode.

Press Up/Down key at the same time and when the display blinks you are allowed to modify the group number and unit number.

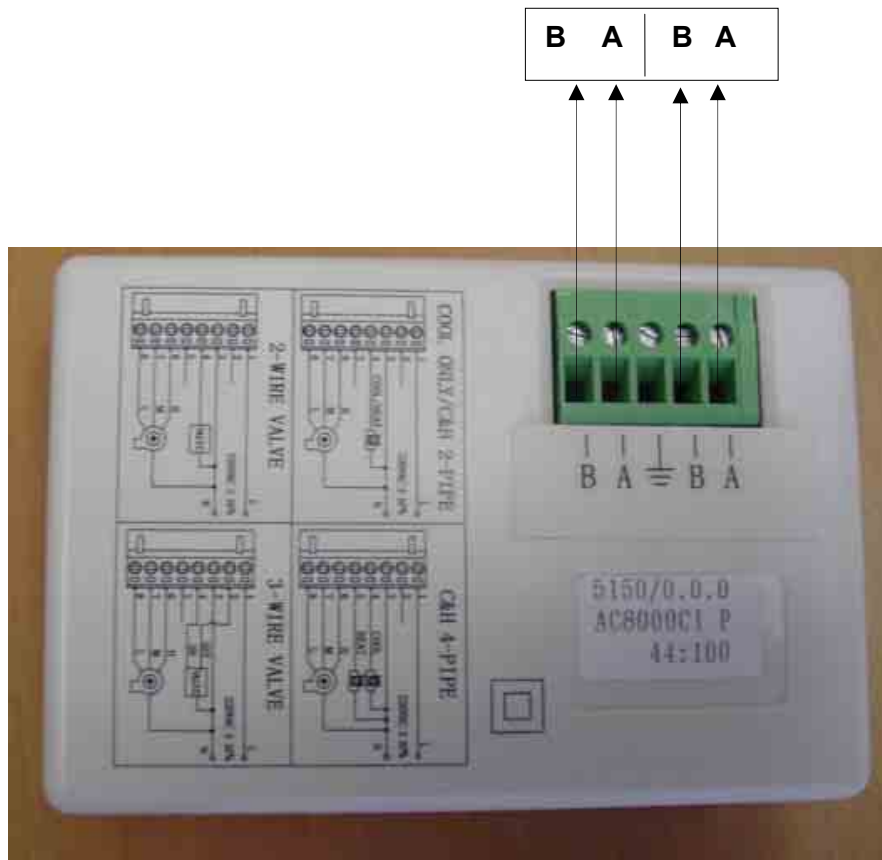
Press Up/Down key to set the group and the unit.

Left number : Group  
Right number : Unit

To exit you have to press any key or wait for 5 sec.

# AC8000\_NIM ELECTRONIC THERMOSTAT

## NIM CONNECTION



To AC8000\_NIM

Electric connector



**McQuay Italia S.p.A.**

S.S. Nettunense, km 12+300 – 00040 Cecchina (Roma) – Italia  
tel. +39 06 937311; fax +39 06 9374014

[www.mcquayeuropa.com](http://www.mcquayeuropa.com) - [info@mcquayeuropa.com](mailto:info@mcquayeuropa.com)