

**AG8000G SPLIT MltiRO COMPUTER THERMOSTAT  
USER MANUAL**

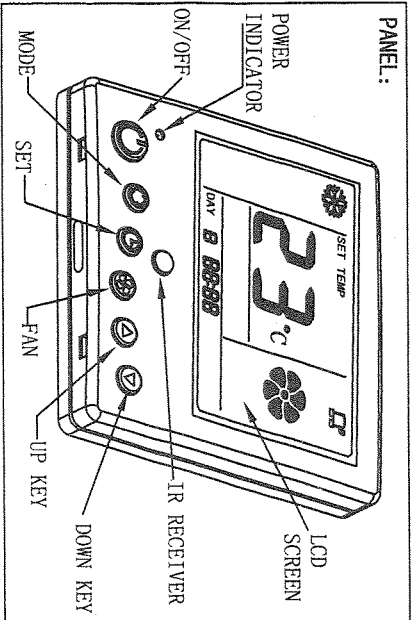
**CHARACTERISTICS:**

- FOUR MODES: COOL/FAN/HEAT/AUTO;
- INDOOR FAN SPEED: HIGH/MEDIUM/LOW/AUTO;
- THREE TYPES: COOL ONLY/C&H 2-PIPE/C&H 4-PIPE;
- AVAILABLE TO CONTROL 2-WIRE OR 3-WIRE VALVE;
- 3 MINUTES DELAY TO PROTECT THE COMPRESSOR (SELECTABLE);
- SAVING ENERGY MODE (SELECTABLE);
- LCD DISPLAY THE STATUS OF THE SYSTEM;
- LED INDICATE THE STATUS OF THE VALVE AND THE POWER;
- TEMPERATURE CONTROL PRECISION: 1° C;
- HIGH, LOW VOLTAGE SEPARATED FOR SAFETY;
- INFRARED REMOTE CONTROL FUNCTION;
- QUICK DISCONNECT FOR EASE OF INSTALLATION;
- ERROR ALARM FUNCTION;
- WEEK TIMER SETTING FUNCTION;
- BACKGROUND COLOUR DISPLAY (SELECTABLE) ;

**SPECIFICATION:**

- \* RATED VOLTAGE AND FREQUENCY: 220VAC±10%/50Hz;
- \* LOAD CURRENT: ≤3A;
- \* OPERATING TEMPERATURE: 0°C ~ +60°C
- \* OUTLINE DIMENSION (mm) : DISPLAY PANEL: 86×86×13,  
POWER BOX: 112×75×30, REMOTE CONTROLLER: 86×54×5.

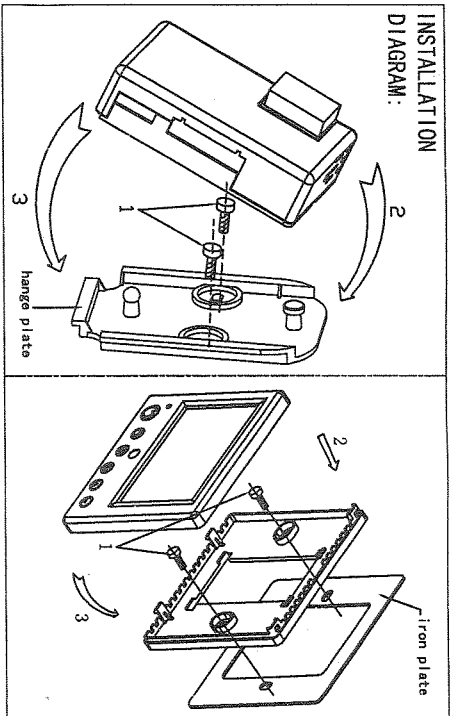
**PANEL:**



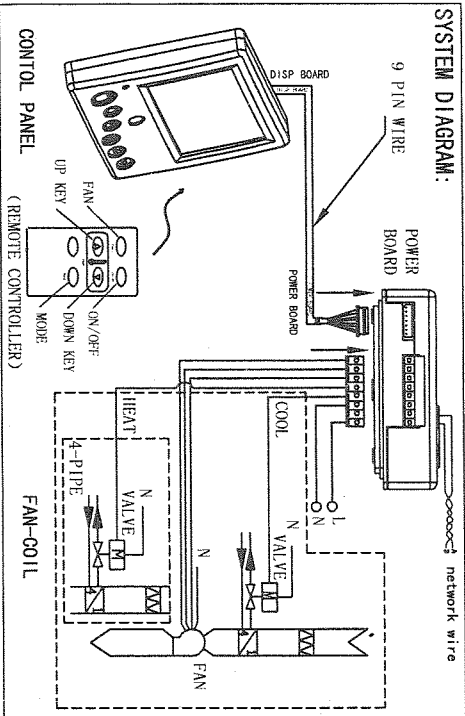
JUMPER:		MODE	
J1	J2	J3	
SHORT	SHORT	OPEN	SAVING ENERGY
SHORT	COOL ONLY	SHORT	NO SAVING ENERGY
SHORT	OPEN	C&H 2-PIPE	MODE
OPEN	OPEN	C&H 4-PIPE	3 MINUTES DELAY
OPEN	NO AVAILABLE	SHORT	NO 3 MINUTES DELAY

PLEASE READ CAREFULLY THE INSTRUCTION BEFORE FIXING AND SAVE IT FOR NEXT USAGE.

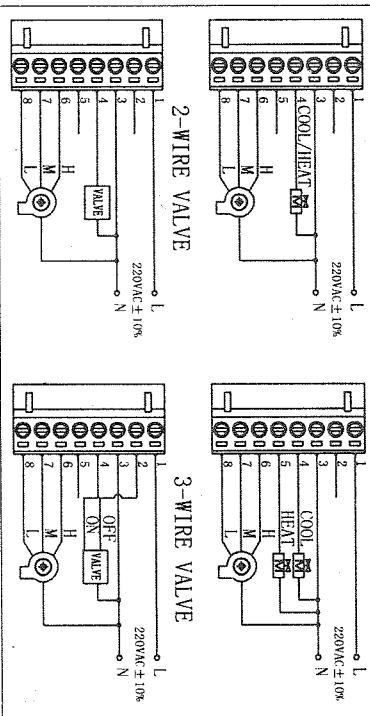
**INSTALLATION DIAGRAM:**



**SYSTEM DIAGRAM:**



**WIRING DIAGRAM:**



THE MANUAL MAY BE MODIFIED AT ANY TIME, WE WILL NOT NOTIFY.

**INSTALLATION:**

1. PLEASE INSTALL THE THERMOSTAT BY TECHNICIAN AND ENSURE THAT THE POWER IS OFF BEFORE FIXING;
2. THE THERMOSTAT MUST BE FIXED IN THE AIR-CIRCULATE SURROUNDINGS, FAR AWAY FROM THE HEAT SOURCE AND THE WINDOW OR DOOR, AVOID FROM DIRECT SUN LIGHT;
3. THE SPACE BETWEEN TWO SCREWS: DISPLAY PANEL: 60mm, POWER BOX: 60mm.
4. INSTALLATION METHODS:
  - ①FIX HANGING BOARD OF POWER BOX TO A FIT PLACE;
  - ②CONNECT THE 9 PIN WIRE TO THE POWER BOARD;
  - ③FIX THE WIRES CORRECTLY(REFER TO WIRING DIAGRAM)
  - ④CONNECT THE WIRE PLUG TO THE POWER BOARD;
  - ⑤FETCH DISPLAY PANEL, SEPARATE THE PANEL INTO TOP AND BOTTOM CASING;
  - ⑥FIX THE BOTTOM CASING ON THE WALL;
  - ⑦CONNECT THE OTHER TERMINAL OF 9 PIN WIRE TO THE PANEL;
  - ⑧FIX THE TOP CASING;

**NOTES:**

- \* ENSURE THAT THE SYSTEM BE POWER OFF BEFORE FIXING AND REPAIRING;
- \* PLEASE CONNECT THE WIRE STRICTLY ACCORDING TO THE WIRING DIAGRAM;
- \* DON'T PLUG THE 9 PIN WIRE WITH ELECTRICITY;
- \* DON'T DRILL HOLES RANDOMLY ON THE BOTTOM CASING FOR FIXING;
- \* IF THE THERMOSTAT WORK ABNORMALLY FOR LONG TIME, PLEASE CONTACT TECHNICIAN;
- \* PLEASE FIXED THE THERMOSTAT WITH THE SCREWS ADDITIONAL, WE WILL NOT ANSWER FOR THE BECAUSE OF LOSS THAT USING OTHER SCREWS.

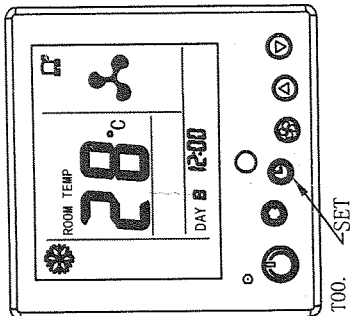
**ACCESSORIES:**

- \* 9PIN 7-METER WIRE : 1PCS;
- \* CONNECTOR (8PIN) : 1PCS;
- \* REMOTE CONTROLLER : 1PCS; (SELECTABLE)
- \* HANGE PLATE: 1PCS (93X63X7.5MM) ;
- \* SCREWS : Φ3.5×18.5 4PCS.
- \* IRON PLATE : 85\*85 1PCS.

## OPERATING INSTRUCTION:

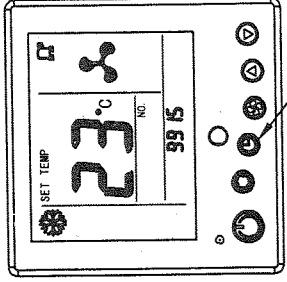
### I INQUIRE THE INDOOR TEMPERATURE:

PRESS SETTING-KEY CONTINUALLY ONCE, LCD DISPLAY INDOOR TEMPERATURE. EG, INDOOR TEMPERATURE 28° C.  
EXIT CHECK MODE AFTER 5S IF NO PRESSING OR PRESS OTHER FUNCTION KEYS TO EXIT CHECK MODE, TOO.



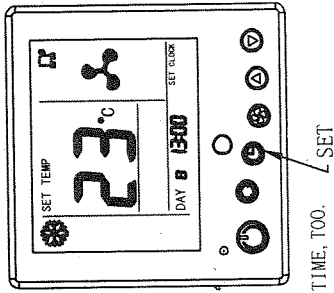
### II ENQUIRE OR MODIFY THE UNIT NO. AND GROUP NO. (FOR NETWORK MODEL ONLY)

PRESS THE "SET" KEY TO THE MENU AS THE FIGURE SHOW, YOU CAN SEE THE GROUP NO. AND UNIT NO., BUT YOU CAN'T MODIFY THEM WHEN YOU WANNA ADJUST THE NO. S, PLEASE PRESS THE "Δ, ▽" KEY AT THE SAME TIME, WHEN THE DISPLAY BLINKS, WHICH INDICATE THAT YOU ARE ALLOWED TO MODIFY THE NO. S. IF YOU DON'T OPERATE THE PANEL FOR 5S OR PRESS THE FUNCTION KEY, YOU CAN EXIT FROM THE STATUS OF MODIFICATION. THE LEFT NO. IS GROUP NO. WHICH ARE FROM 0 TO 99, THE RIGHT NO. IS UNIT NO. WHICH ARE FROM 0 TO 15.



### III MODIFY TIME:

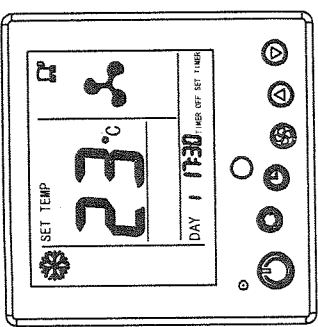
- 1 MODIFY WEEK:  
PRESS SETTING-KEY CONTINUALLY THREE TIMES, AND ACCESS TO MODIFY WEEK MODE, PRESS UP/DOWN KEY TO SET WEEK.
- 2 MODIFY CLOCK:  
FOLLOWING PRESS SETTING-KEY, AND ACCESS TO MODIFY CLOCK MODE, PRESS UP/DOWN KEY TO MODIFY CLOCK (24 HOURS STANDARD).
- 3 EXIT MODIFY TIME AFTER 5S IF NO PRESSING, PRESS OTHER KEYS TO EXIT MODIFY TIME, TOO.



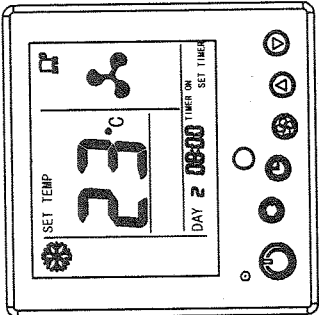
PLEASE READ CAREFULLY THE INSTRUCTION BEFORE FIXING AND SAVE IT FOR NEXT USING.

### IV SET ON OR OFF SETTING TIME:

PRESS SETTING-KEY CONTINUALLY FIVE TIMES, AND ACCESS TO SET OPEN OR CLOSE SETTING TIME, PRESS UP/DOWN KEY TO MODIFY SETTING TIME, SET A OPENING TIME AND A CLOSE TIME A DAY, THERE ARE 14 SETTING TIMES A WEEK, PRESS SETTING-KEY TO SET NEXT SETTING TIME AFTER COMPLETE A SETTING TIME.  
EXIT SET OPEN OR CLOSE ON SETTING TIME AFTER 5S IF NO PRESSING, PRESS OTHER KEYS TO EXIT THE MODE, TOO.

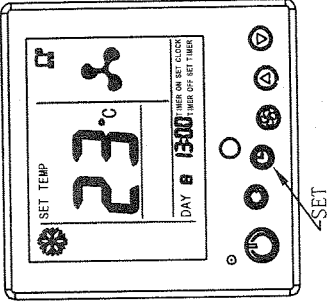


PRESS SETTING-KEY



### V SET DISABLE OR ENABLE ON TIME:

PRESS SETTING-KEY CONTINUALLY TILL DISPLAY "SET CLOCK, SET TIMER", AND ACCESS TO SET DISABLE OR ENABLE ON TIME MODE, PRESS UP KEY TO SELECT DISABLE OR ENABLE OPEN STATUS, PRESS DOWN KEY TO SELECT DISABLE OR ENABLE CLOSE STATUS.  
EXIT THE MODE AFTER 5S IF NO PRESSING, PRESS OTHER KEY TO EXIT THE MODE, TOO.



THE MANUAL MAY BE MODIFIED AT ANY TIME, WE WILL NOT NOTIFY.

### VI OTHERS:

NAME	FUNCTION
LED FOR INDICATION	STATUS OF THE COMPRESSOR AND POWER SUPPLY, WHEN THE VALVE IS ON, LED ORANGE WILL APPEAR, WHEN VALVE IS OFF, LED GREEN WILL APPEAR.
ON/OFF KEY	CONTROL THE ON/OFF OF THE THERMOSTAT, PUSH OVERY KEY TO DISPLAY 3S WHEN POWER OFF.
MODE KEY	ROTATE THE MODE OF THE THERMOSTAT: COOL-FAN-HEAT-AUTO.
FAN KEY	RATATE THE FAN SPEED OF THE THERMOSTAT: HIGH-MEDIUM-LOW-AUTO. (EXCEPT FOR FAN MODE)
TEMP. UP KEY	PRESS THE KEY CONTINUALLY TO SET TEMP, INCREASE BY STEP OF 1° C (16° C ~ 32° C)
TEMP. DOWN KEY	PRESS THE KEY CONTINUALLY TO SET TEMP, DECREASE BY STEP OF 1° C (32° C ~ 16° C)
LCD SCREEN	DISPLAY TEMP, MODE, FAN-SPEED, ERROR, TIME.
IR RECEIVER WINDOW	FOR IR OPERATION.