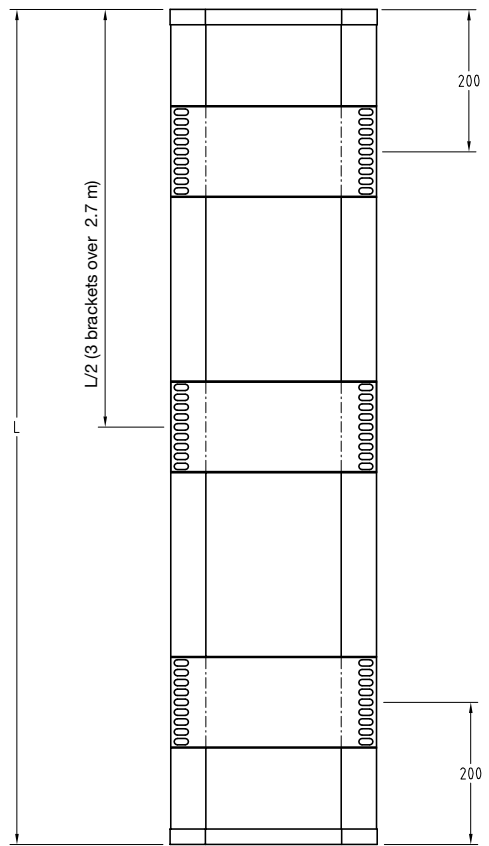
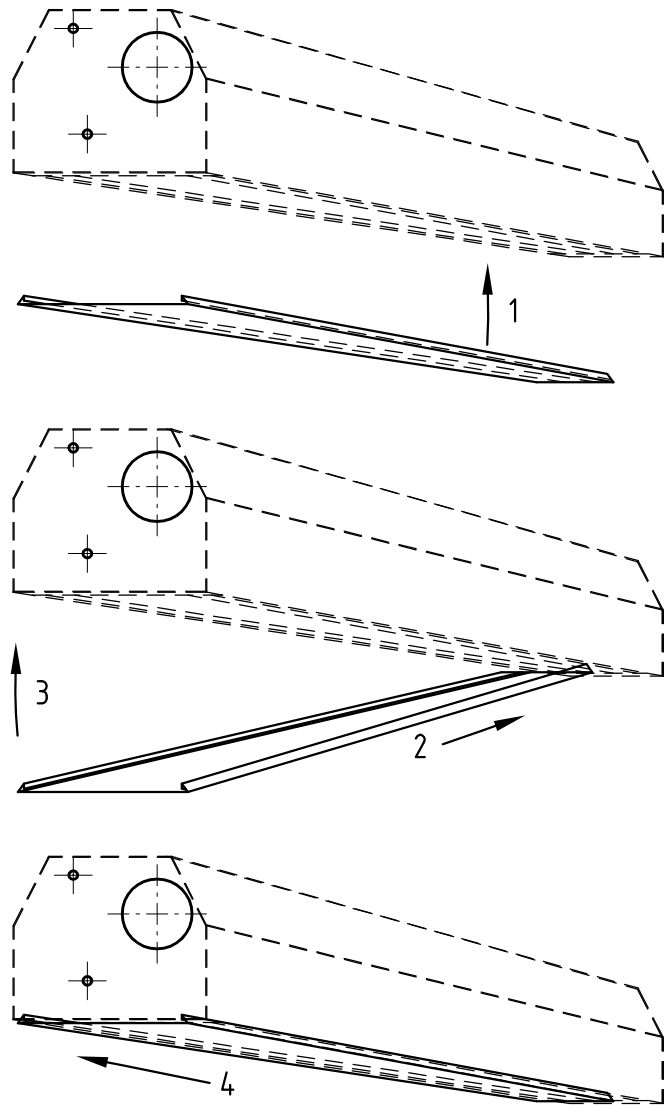


Do not twist the pipes, do not solder





1 pc on each beam over 2,7 m

