


Det. no:	No:	Denomination			Material	Dimension	Note		
Designed	Drawn	Copy	Checked	Standard	Approved	Scale	Replaced By	Replaces	
F.T.	F.T.					1:10			
 Lindab Climate AB		PLAFOND B MOUNTING & DIMENSION				File Name 1085163C	Date 080614	Drawing No: I 085163 C	

1 2 3 4 5

Nr	Ant	Change	Date	Inf.	Appr.
B		43x7(2x) was $\phi 7(2x)$	080620	F.T.	
C		Changed	080623	F.T.	

A

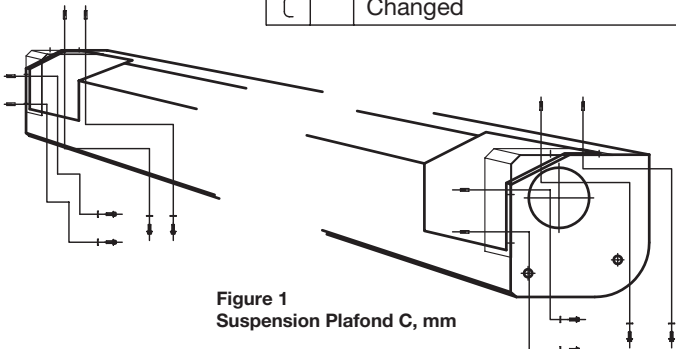
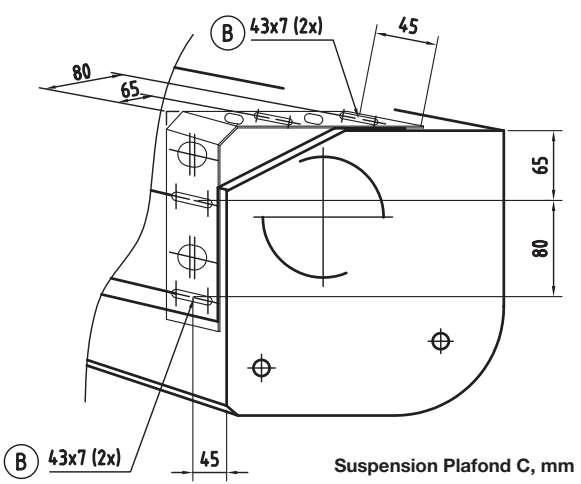


Figure 1
Suspension Plafond C, mm

B

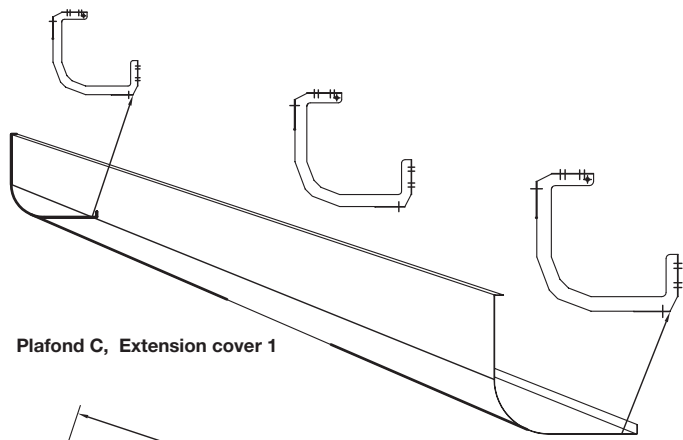
C



Suspension Plafond C, mm

D

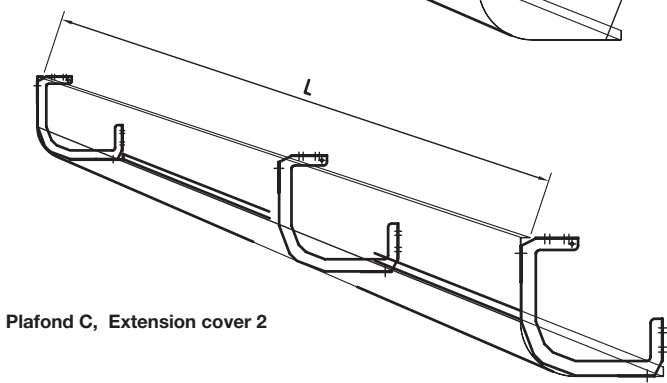
E



Plafond C, Extension cover 1


F

G



Plafond C, Extension cover 2

H

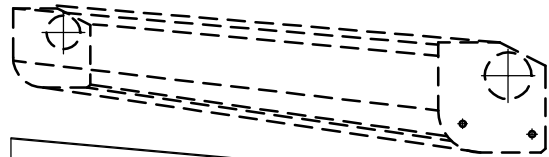
Det. no:	No:	Denomination			Material	Dimension	Note		
Designed	Drawn	Copy	Checked	Standard	Approved	Scale	Replaced By	Replaces	
F.T.	F.T.					1:10			
 Lindab Climate AB		PLAFOND C MOUNTING & DIMENSION				File Name	Date		
						1085162C	080614		
						Drawing No:	I 085162 C		

1 2 3 4 5

1 2 3 4 5

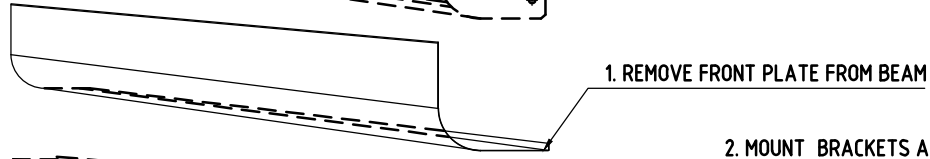
Nr	Ant	Ändring	Datum	Inf.	Godk.
----	-----	---------	-------	------	-------

A



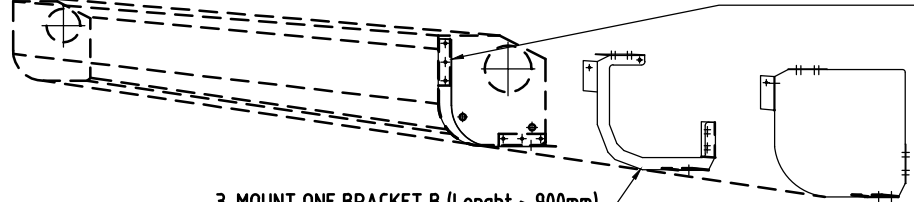
A

B



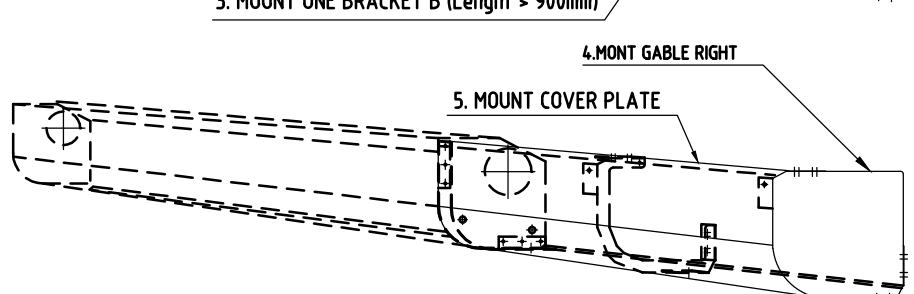
B

C



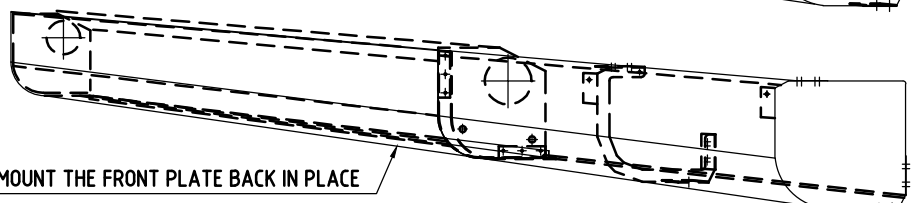
C

D



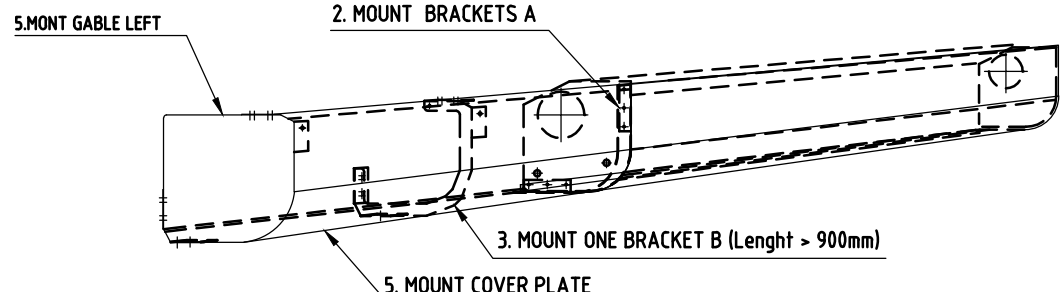
D

E



E

F



F

NB! Lengths up to 900mm use bracket A and gable.
 Lengths over 900mm up to 1900mm use one bracket A, one bracket B and gable.
 Lengths over 1900mm use one bracket A, two brackets B and gable.
 Order length L is the distans between, gable (beam) and gable (cover)

G

5	1	Gable smooth Left			P 085068 B
4	1	Gable smooth Right			P 085079 B
3	0-2	Bracket B			P 023040 D
2	2	Bracket A			P 075043 A
1	1	Cover plate			P 075044 C

G

H

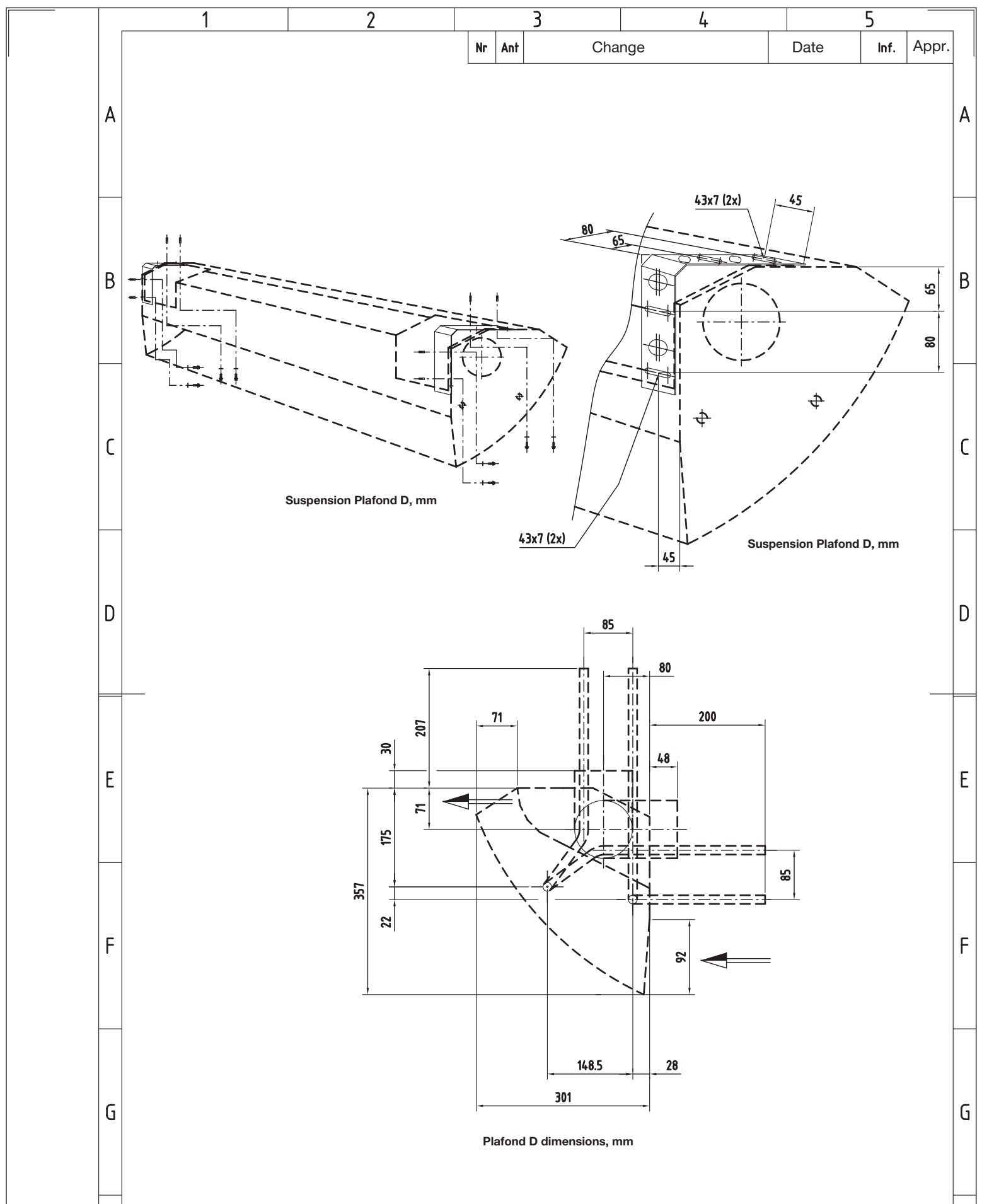
Det. no:	No:	Denomination	Material	Dimension	Note
Designed F.T.	Drawn F.T.	Copy	Checked	Standard	Approved
				Scale	1:12
				Replaced By	Replaces
				File Name	1115067A
				Date	110321
				Drawing No:	I 115067 A

H




PLAFOND C - OVERLAP
 MOUNTING - COVER

1 2 3 4 5



Nr	Ant	Change	Date	Inf.	Appr.
----	-----	--------	------	------	-------

Det. no:	No:	Denomination			Material	Dimension	Note	
Designed F.T.	Drawn F.T.	Copy	Checked	Standard	Approved	Scale 1:10	Replaced By	Replaces
 Lindab Climate AB		PLAFOND D MOUNTING & DIMENSION				File Name 1085232A	Date 080813	
						Drawing No: 1 085232 A		