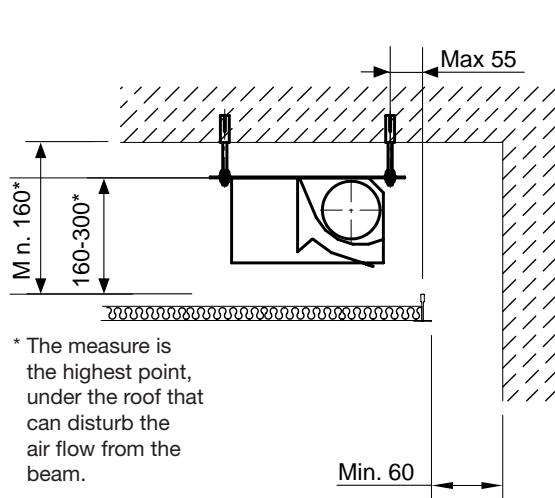
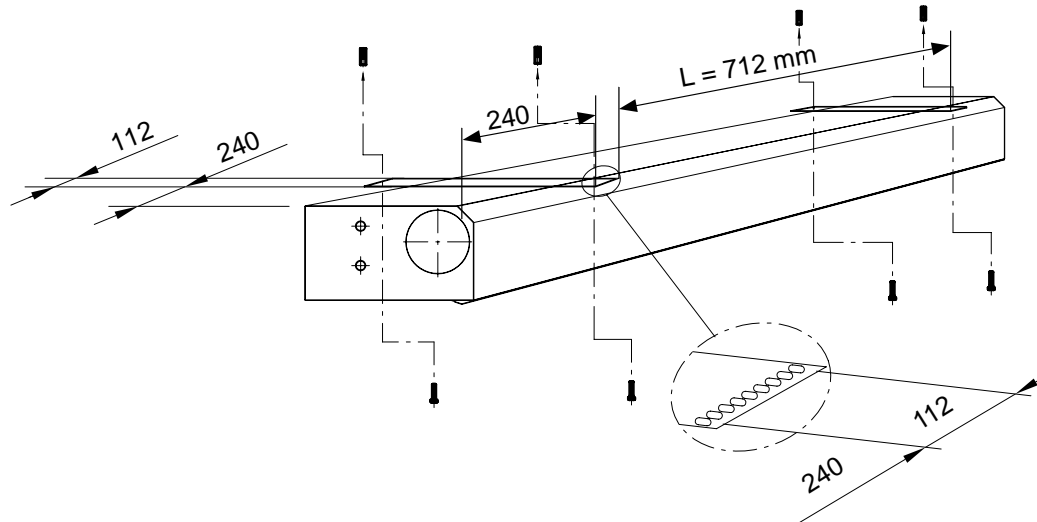




Mounting

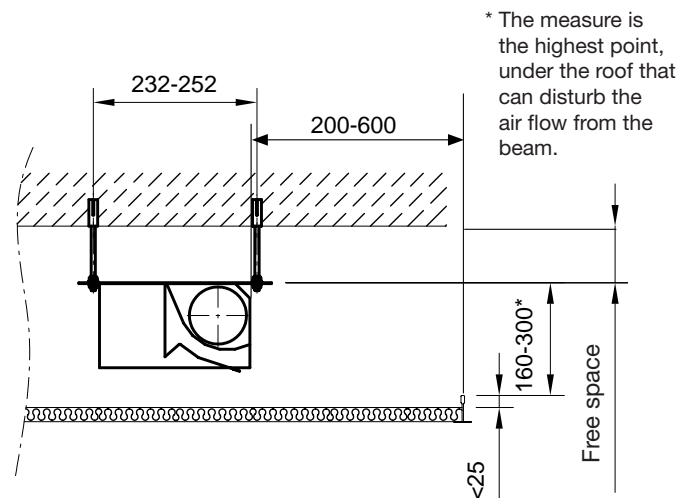
Notice the difference in island installation and full covering mounting with gaps.

Use the wire hanger, Threaded rod (M6/M8) or screw (M6/M8) for hanging.



* The measure is the highest point, under the roof that can disturb the air flow from the beam.

Figure 2. Complete assembly with columns



* The measure is the highest point, under the roof that can disturb the air flow from the beam.

Figure 3. Island mounting

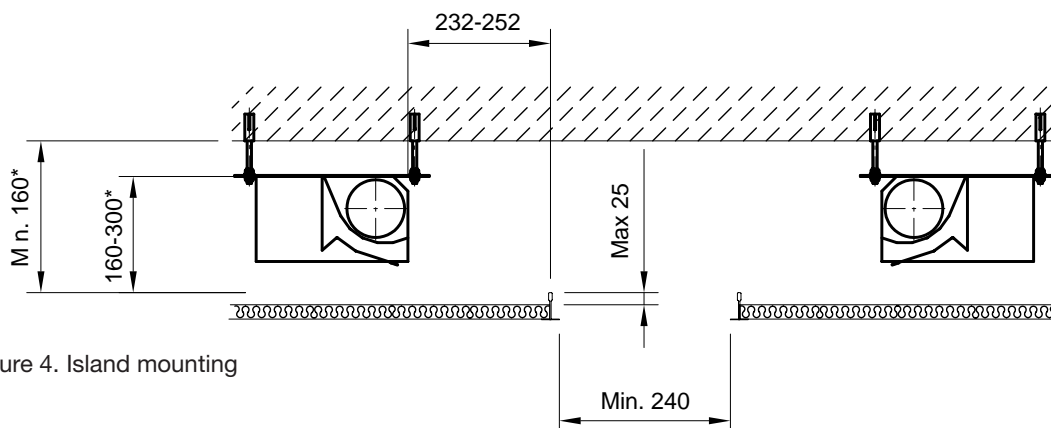


Figure 4. Island mounting