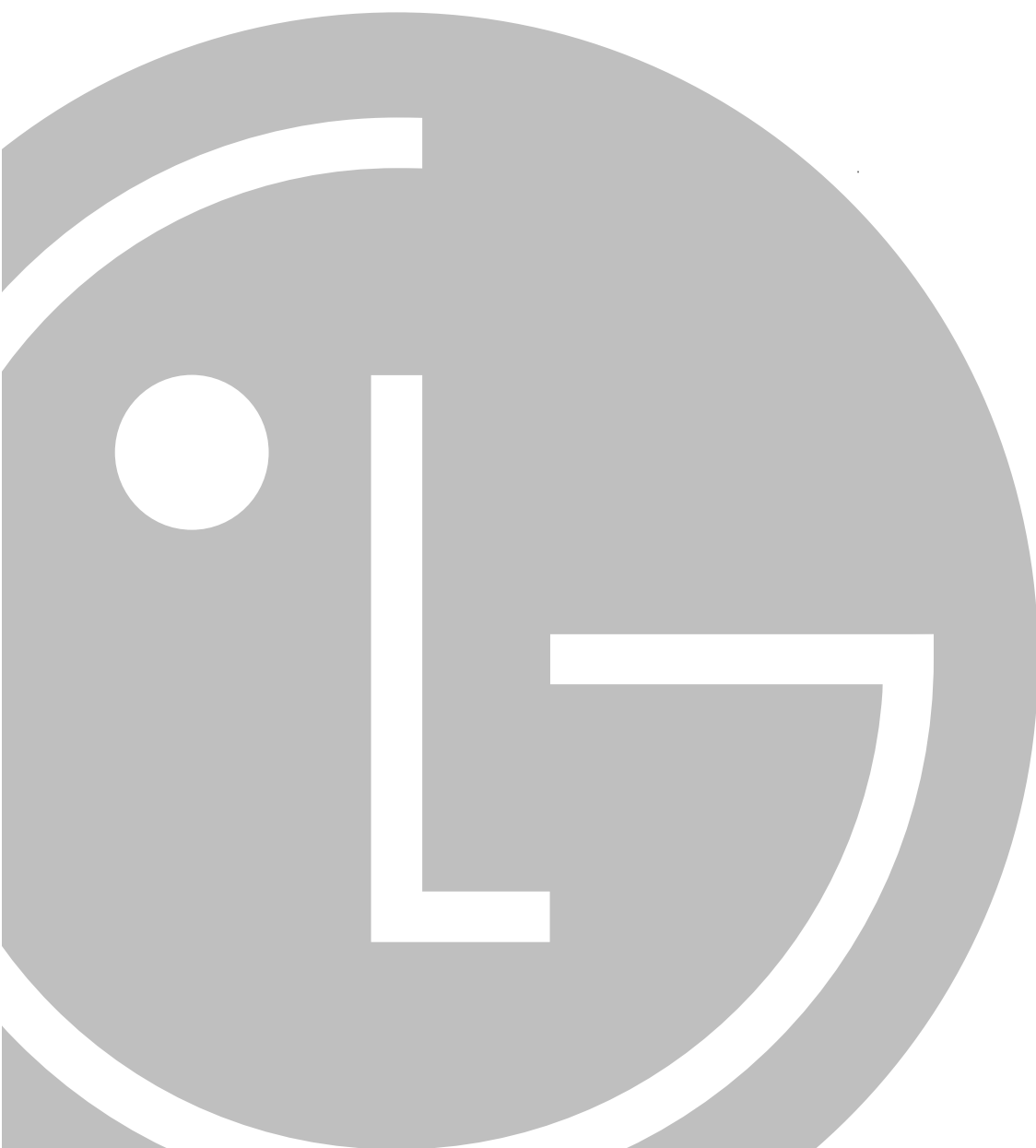




# Multi Type Room Air Conditioner

## **SERVICE MANUAL**

**MODEL: LM-3061H2L/M  
LM-3061C2L/M**



# Contents

---

Functions.....	3
Product Specifications .....	5
Dimensions.....	7
Refrigeration Cycle Diagram.....	9
Wiring Diagram .....	10
Operation Details .....	11
Display Function .....	17
Self-diagnosis Function .....	17
Installation .....	18
Disassembly of the parts(Indoor unit) .....	37
2-way, 3-way Valve .....	39
Cycle Troubleshooting Guide .....	43
Electronic Parts Troubleshooting Guide.....	44
Electronic Control Device .....	51
Schematic Diagram.....	53
Exploded View and Replacement Parts List.....	56

# Functions

## Indoor Unit

### Operation ON/OFF by Remote controller

### Sensing the Room Temperature

- Room temperature sensor. (THERMISTOR)

### Room temperature control

- Maintains the room temperature in accordance with the Setting Temp.

### Starting Current Control

- Indoor fan is delayed for 5 seconds at the starting.

### Time Delay Safety Control

- Restarting is inhibited for approx. 3 minutes.

### Indoor Fan Speed Control

- High, Med, Low, Chaos

### Operation indication Lamps (LED)

- ① --- Lights up in operation
- ☆ --- Lights up in Sleep Mode
- ⌚ --- Lights up in Timer Mode
- ✱ --- Lights up in Deice Mode(for Heat pump model)
- OUT DOOR --- Lights up in Compressor operation(for Cooling model)

### Health Dehumidification operation

- Intermittent operation of fan at low speed.

### Sleep Mode Auto Control

- The fan is switched to low(Cooling), med(Heating) speed.
- The unit will be stopped after 1, 2, 3, 4, 5, 6, 7 hours.

### Natural Air Control by CHAOS Logic

- The fan is switched to intermittent or irregular operation
- The fan speed is automatically switched from high to low speed.

### Airflow Direction Control

- The louver can be set at the desired position or swing up and down automatically.

### Deice (defrost) control (Heating)

- Both the indoor and outdoor fan stops during deicing.

### Hot-start Control (Heating)

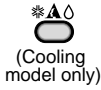
- The indoor fan stops until the evaporator piping temperature will be reached at 28°C.

# Remote Controller

## Operation ON/OFF



## Operation Mode Selection



(Cooling model only)



(Heating model only)

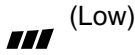
Cooling Operation Mode ( \* )

Auto Operation Mode ( ▲ )

Healthy Dehumidification Operation Mode ( ◊ )

Heating Operation Mode ( ☼ )

## Fan Speed Selection



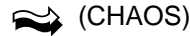
(Low)



(Med)



(High)



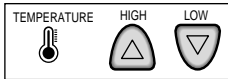
(CHAOS)

## Room, Temperature Display



: (High: 39°C ← → LOW : 11°C)

## Temperature Setting



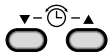
Cooling — [ Down to 18°C  
Up to 30°C

Heating — [ Down to 16°C  
Up to 30°C

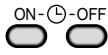
## JET COOL



## Setting the Time or Timer



## Timer Selection



: OFF, ON, OFF ← → ON

## Timer Setting



## Timer Cancel



: Cancel Sleep Mode, Timer ON or Timer OFF

## Sleep Operation



: 1, 2, 3, 4, 5, 6, 7, Off Timer

## Airflow Direction Control



## Fan Operation Mode



: Fan Operates without cooling or heating.

## Reset

● RESET

# Product Specifications

## 1. LM-3061H2L/M

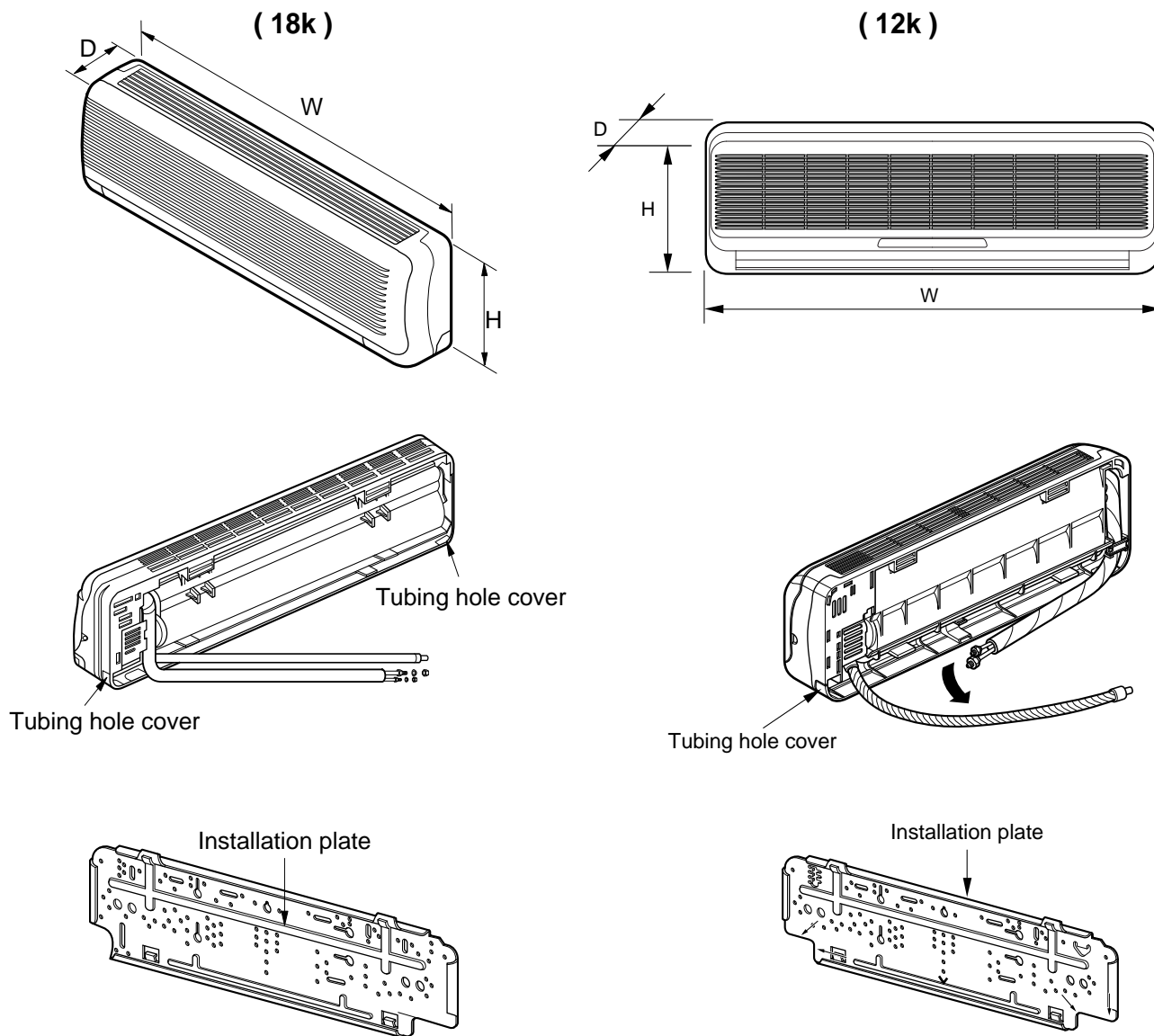
Item		Operation		A-Unit + B-Unit	A-Unit Only	B-Unit Only
		Unit				
Cooling Capacity		Btu/h(kcal/h)		28,500(7,182)	17,500(4,410)	11,000(2,772)
Heating Capacity				28,500(7,182)	17,500(4,410)	11,000(2,772)
Moisture Removal		ℓ/h		4.2	2.5	1.7
Power Source		∅, V, Hz	1∅, 220-240V, 50Hz			
Air Circulation		m <sup>3</sup> /min	Indoor		13	9
			Outdoor	58		
Noise Level		dB(A)	Indoor		44 +1	38+1
			Outdoor	57 +1		
Input	Cooling	W	3,050		1,950	1,250
	Heating		2,750		1,850	1,100
Runnig Current	Cooling	A	13		8.5	5.5
	Heating		12.5		8.2	4.8
E.E.R.	Cooling	Btu/h·w	9.3		9.0	8.8
C.O.P.	Heating	-	3.0		2.8	2.9
Motor Output		W	Indoor		22	13
			Outdoor	80		
Dimensions(W x H x D)		mm	Indoor		1,080 x 314 x 181	888 x 287 x 170
			Outdoor	870 x 800 x 320		
Net. Weight		kg	Indoor		11	9
			Outdoor	83		
Refrigerant(R-22)		g			1,400	1,080
Airflow Direction Control(Up & Down)			O			
Remocon Type			L.C.D Wireless			
Service Valve			Liquid	1/4"(6.35)		
			Gas	1/2"(12.7)		
Sleeping Operation			O			
Drain Hose			O			

## 2. LM-3061C2L/M

Item	Operation Unit	A-Unit + B-Unit		A-Unit Only	B-Unit Only
		Cooling Capacity	Btu/h(kcal/h)	28,500(7,182)	
Moisture Removal	ℓ/h	4.2		2.5	1.7
Power Source	ø, V, Hz	1Ø, 220-240V, 50Hz			
Air Circulation	m <sup>3</sup> /min	Indoor		13.0	9.0
		Outdoor	58		
Noise Level	dB(A)	Indoor		44 +1	38+1
		Outdoor	57 +1		
Input	W	3,050		1,950	1,250
Running Current	A	13.0		8.5	5.5
E.E.R.	Btu/h·w	9.3		9.0	8.8
Motor Output	W	Indoor		22	13
		Outdoor	80		
Dimensions(W x H x D)	mm	Indoor		1,080 x 314 x 181	888 x 287 x 170
		Outdoor	870 x 800 x 320		
Net. Weight	kg	Indoor		11.0	9.0
		Outdoor	67		
Refrigerant(R-22)(at 7.5m)	g			1,400	950
Airflow Direction Control(Up & Down)			O		
Remocon Type		L.C.D Wireless			
Service Valve	Liquid	1/4"(6.35)			
	Gas	1/2"(12.7)			
Sleeping Operation		O			
Drain Hose		O			

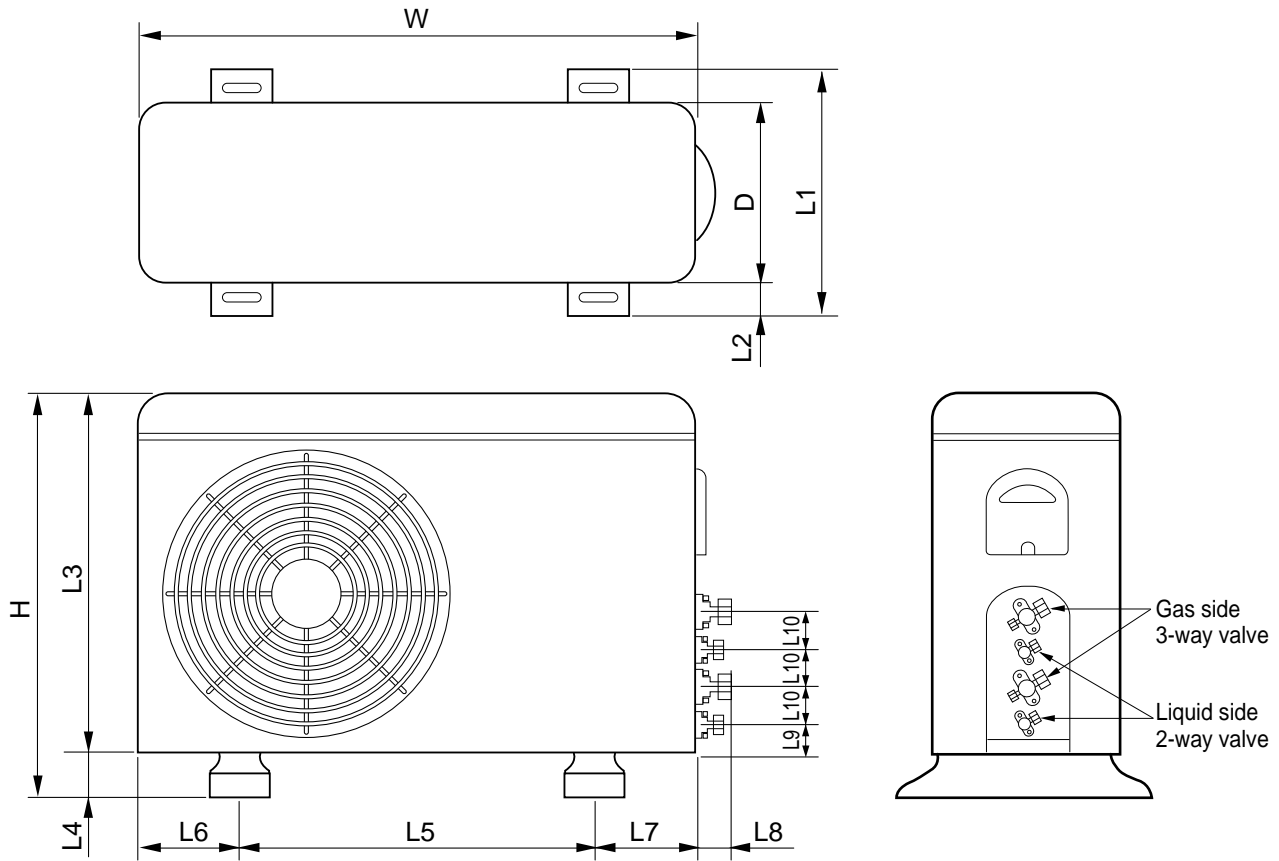
# Dimensions

## 1. Indoor Unit



DIM		MODEL	18k	12k
W	mm		1,080	888
H	mm		314	287
D	mm		181	170

## 2. Outdoor Unit

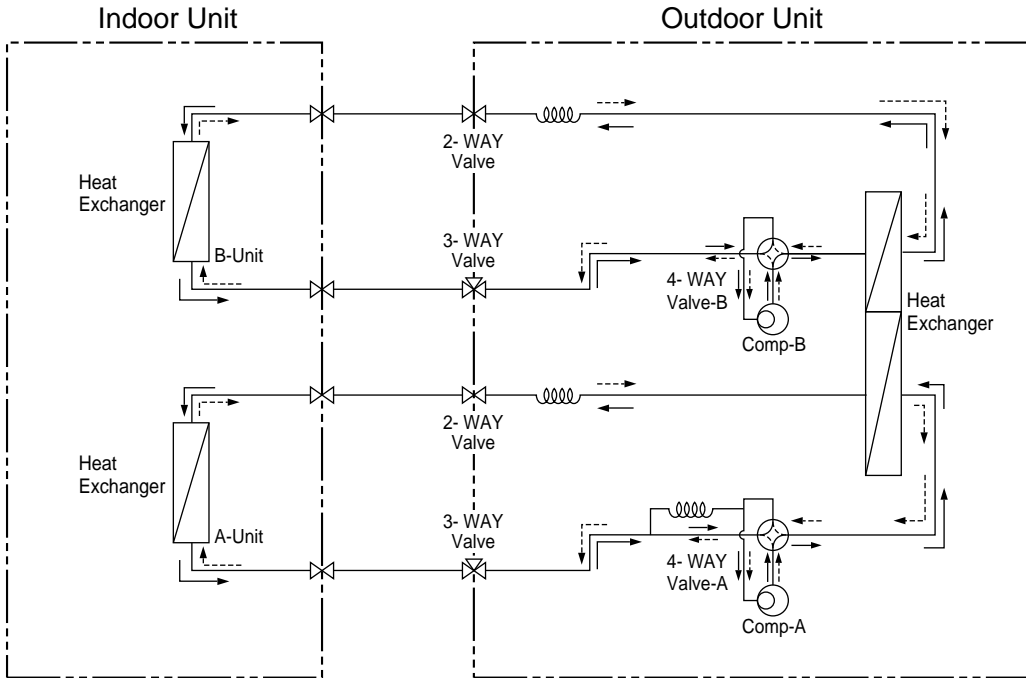


DIM		MODEL	LM-3061H2L/M, LM-3061C2L/M
W	mm		870
H	mm		800
D	mm		320
L1	mm		370
L2	mm		25
L3	mm		775
L4	mm		25
L5	mm		546
L6	mm		160
L7	mm		160
L8	mm		64
L9	mm		76.5
L10	mm		50

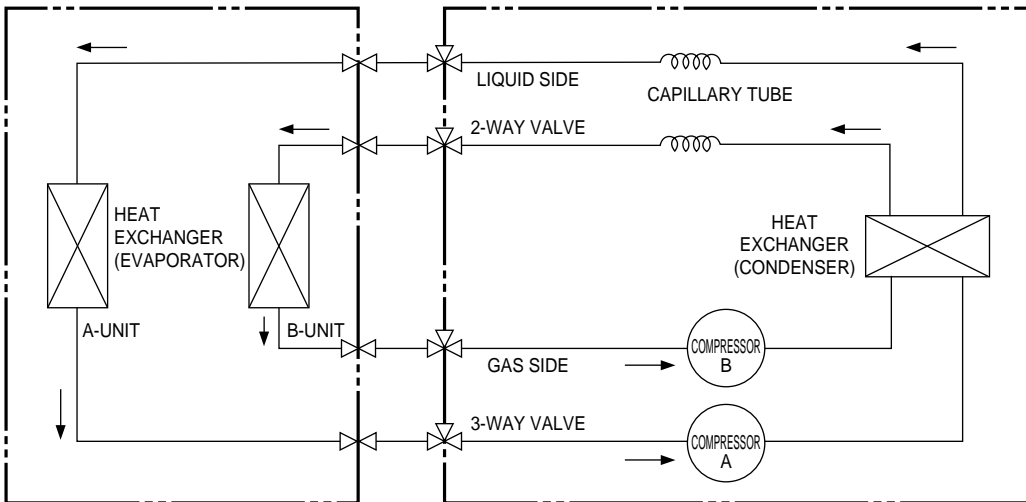


# Refrigeration Cycle Diagram

## 1. LM-3061H2L/M(Cooling & Heating Model)

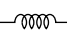
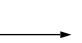



## 2. LM-3061C2L/M(Cooling Model)



Pipe Size (Diameter : inch)		Max. piping length (m)	Max. piping elevation (m)
Gas	Liquid		
1/2"	1/4"	10~15	5~7

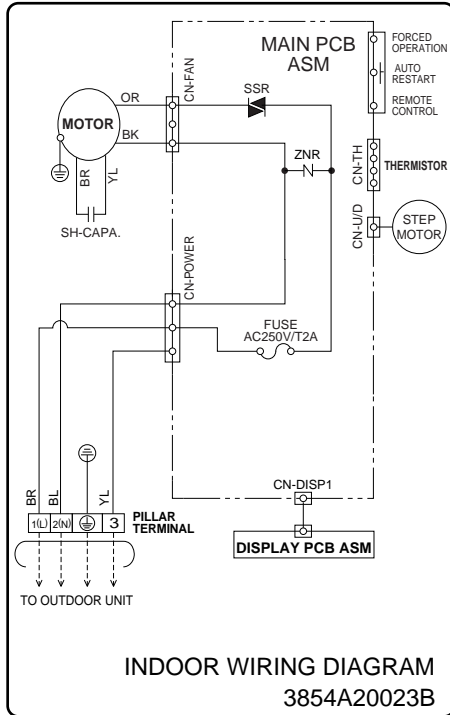
ex)

	Capillary
	Cooling & Deice
	Heating

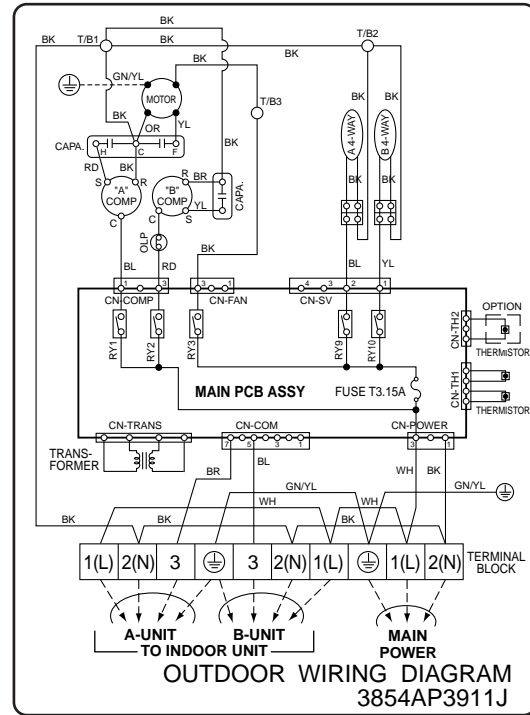
# Wiring Diagram

## 1. LM-3061H2L/M

### Indoor Unit

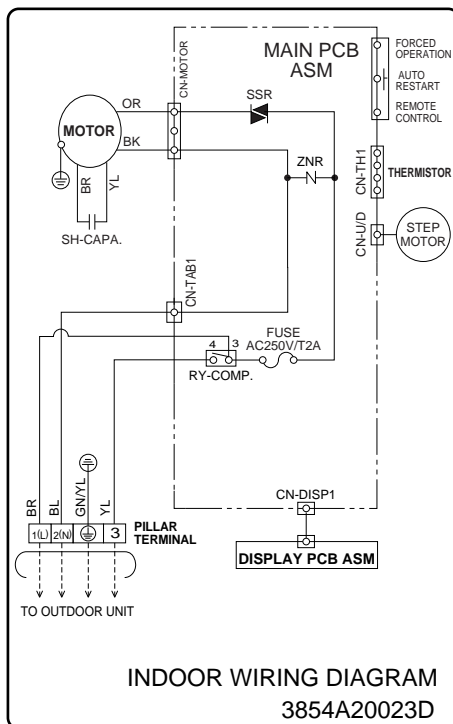


### Outdoor Unit

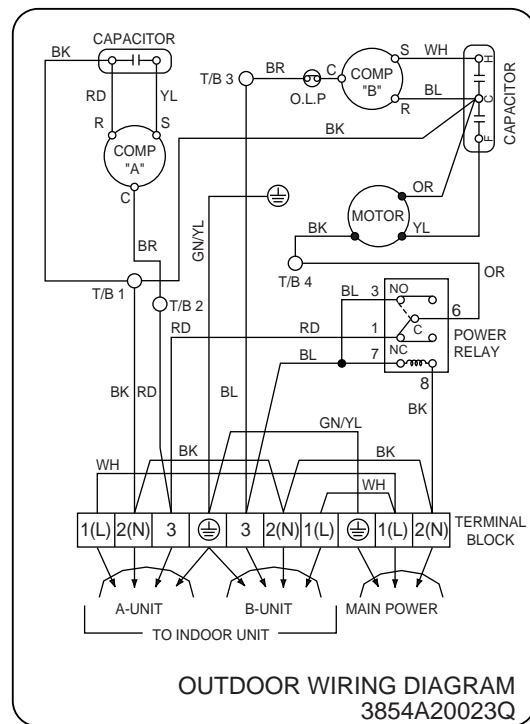


## 2. LM-3061C2L/M

### Indoor Unit



### Outdoor Unit



# Operation Details

---

## 1. MAIN UNIT FUNCTION

### • DISPLAY

#### Operation Indicator

- On while in appliance operation, off while in appliance pause
- Flashing while in disconnection or short in Thermistor (3 sec off / 0.5 sec on)

#### Sleep Timer Indicator

- On while in sleep timer mode, off when sleep timer cancel or appliance operation pause

#### Timer Indicator

- On while in timer mode (on/off), off when timer mode is completed or canceled

#### Defrost Indicator

- Off except when hot start during heating mode operation or while in defrost control

### ■ Cooling Mode Operation

- When the intake air temperature reaches 0.5°C below the setting temp, the compressor and the outdoor fan stop.
- When it reaches 0.5°C above the setting temp, they start to operate again.  
Compressor ON Temp=> Setting Temp+0.5°C  
Compressor OFF Temp => Setting Temp-0.5°C
- While in compressor running, operating with the airflow speed set by the remote controller. While in compressor not running, operating with the low airflow speed regardless of the setting.

### ■ Healthy Dehumidification Mode

- When the dehumidification operation input by the remote controller is received, the intake air temperature is detected and the setting temp is automatically set according to the intake air temperature.  
26°C ; ↑ Intake Air Temp => 25°C  
24°C ; ↑ Intake Air Temp < 26°C => Intake Air Temp-1°C  
18°C ; ↑ Intake Air Temp < 24°C => Intake Air Temp-0.5°C  
Intake Air Temp < 18° => 18°C
- While in compressor off, the indoor fan repeats low airflow speed and pause.
- While the intake air temp is between compressor on temp. and compressor off temp., 10-min dehumidification operation and 4-min compressor off repeat  
Compressor ON Temp. => Setting Temp+0.5°C  
Compressor OFF Temp. => Setting Temp-0.5°C
- In 10-min dehumidification operation, the indoor fan operates with the low airflow speed.

### ■ Heating Mode Operation

- When the intake air temp reaches +3°C above the setting temp, the compressor is turned off. When below the setting temp, the compressor is turned on.  
Compressor ON Temp. => Setting Temp.  
Compressor OFF Temp. => Setting Temp.+3°C
- While in compressor on, the indoor fan is off when the indoor pipe temp. is below 26°C , when above 28°C, it operates with the low or setting airflow speed (while in sleep mode, with the medium airflow speed).
- While in compressor off, the indoor fan is off when the indoor pipe temp is below 33°C , when above 35°C , it operates with the low airflow speed.
- If overloaded while in heating mode operation, in order to prevent the compressor from OLP operation, the outdoor fan is turned on/off according to the indoor pipe temp.
- While in defrost control, both of the indoor and outdoor fans are turned off.

## ■ Defrost Control

- Defrost operation is controlled by timer and sensing temperature of outdoor pipe.
- The first defrost starts only when the outdoor pipe temperature falls below -6°C after 60 minutes passed from starting of heating operation and more than 10 minutes operation of compressor.
- Defrost ends after 12 minutes passed from starting of defrost operation or after the outdoor fan operates within max. 2 minutes 30 seconds when the outdoor pipe temperature rises over 12°C even if before 12 minutes.
- The second defrost starts only when the outdoor pipe temperature falls below -6°C after 60 minutes passed from ending of the first defrost and more than 10 minutes operation of compressor.

## ■ Fuzzy Operation

- When any of operation mode is not selected like the moment of the power on when 3 hrs has passed since the operation off, the operation mode is selected.
- When determining the operation mode, the compressor, the outdoor fan, and the 4 way valve are off and only the indoor fan is operated for 15 seconds. Then an operation mode is selected according to the intake air temp at that moment as follows.  
24°C ; ' Intake Air Temp       => Fuzzy Operation for Cooling  
21°C ; ' Intake Air Temp<24°C => Fuzzy Operation for Dehumidification  
Intake Air Temp<21°C       => Fuzzy Operation for Heating
- If any of the operation modes among cooling / dehumidification / heating mode operations is carried out for 10 sec or longer before Fuzzy operation, the mode before Fuzzy operation is operated.

### 1) Fuzzy Operation for Cooling

- According to the setting temperature selected by Fuzzy rule, when the intake air temp is 0.5°C or more below the setting temp, the compressor is turned off. When 0.5°C or more above the setting temp, the compressor is turned on.  
Compressor ON Temp => Setting Temp+0.5°C  
Compressor OFF Temp => Setting Temp+0.5°C
- At the beginning of Fuzzy mode operation, the setting temperature is automatically selected according to the intake air temp at that time.  
26°C ; ' Intake Air Temp       => 25°C  
24°C ; ' Intake Air Temp<26°C => Intake Air Temp+1°C  
22°C ; ' Intake Air Temp<24°C => Intake Air Temp+0.5°C  
18°C ; ' Intake Air Temp<22°C => Intake Air Temp  
Intake Air Temp<18°C       => 18°C
- When the Fuzzy key (Temperature Control key) is input after the initial setting temperature is selected, the Fuzzy key value and the intake air temperature at that time are compared to select the setting temperature automatically according to the Fuzzy rule.
- While in Fuzzy operation, the airflow speed of the indoor fan is automatically selected according to the temperature.

## 2) Fuzzy Operation for Dehumidification

- According to the setting temperature selected by Fuzzy rule, when the intake air temp is 0.5°C or more below the setting temp, the compressor is turned off. When 0.5°C or more above the setting temp, the compressor is turned on.  
Compressor ON Temp => Setting Temp+0.5°C  
Compressor OFF Temp => Setting Temp+0.5°C
- At the beginning of Fuzzy mode operation, the setting temperature is automatically selected according to the intake air temp at that time.  
26°C ; ↑ Intake Air Temp => 25°C  
24°C ; ↑ Intake Air Temp<26°C => Intake Air Temp+1°C  
22°C ; ↑ Intake Air Temp<24°C => Intake Air Temp+0.5°C  
18°C ; ↑ Intake Air Temp<22°C => Intake Air Temp  
Intake Air Temp<18°C => 18°C
- When the Fuzzy key (Temperature Control key) is input after the initial setting temperature is selected, the Fuzzy key value and the intake air temperature at that time are compared to select the setting temperature automatically according to the Fuzzy rule.
- While in Fuzzy operation, the airflow speed of the indoor fan repeats the low airflow speed or pause as in dehumidification operation.

## 3) Fuzzy Operation for Heating

- According to the setting temperature selected by Fuzzy rule, when the intake air temp is 3°C or more above the setting temp, the compressor is turned off. When below the setting temp, the compressor is turned on.  
Compressor ON Temp => Setting Temp  
Compressor OFF Temp => Setting Temp + 3°C
- At the beginning of Fuzzy mode operation, the setting temperature is automatically selected according to the intake air temp at that time.  
20°C ; ↑ Intake Air Temp => Intake Air Temp + 0.5°C  
Intake Air Temp < 20°C => 20°C
- When the Fuzzy key (Temperature Control key) is input after the initial setting temperature is selected, the Fuzzy key value and the intake air temperature at that time are compared to select the setting temperature automatically according to the Fuzzy rule.
- While in Fuzzy operation, the airflow speed of the indoor fan is set to the high or the medium according to the intake air temperature and the setting temperature.

### ■ Airflow Speed Selection

- The airflow speed of the indoor fan is set to high, medium, low, or chaos (auto) by the input of the airflow speed selection key on the remote controller.

### ■ On-Timer Operation

- When the set time is reached after the time is input by the remote controller, the appliance starts to operate.
- The timer LED is on when the on-timer is input. It is off when the time set by the timer is reached.
- If the appliance is operating at the time set by the timer, the operation continues.

### ■ Off-Timer Operation

- When the set time is reached after the time is input by the remote controller, the appliance stops operating.
- The timer LED is on when the off-timer is input. It is off when the time set by the timer is reached.
- If the appliance is on pause at the time set by the timer, the pause continues.

### ■ Off-Timer <=> On-Timer Operation

- When the set time is reached after the on/off time is input by the remote controller, the on/off-timer operation is carried out according to the set time.

### ■ Sleep Timer Operation

- When the sleep time is reached after <1,2,3,4,5,6,7,0(cancel) hr> is input by the remote controller while in appliance operation, the operation of the appliance stops.
- While the appliance is on pause, the sleep timer mode cannot be input.
- While in cooling mode operation, 30 min later since the start of the sleep timer, the setting temperature increases by 1°C. After another 30 min elapse, it increases by 1°C again.
- When the sleep timer mode is input while in cooling cycle mode, the airflow speed of the indoor fan is set to the low.
- When the sleep timer mode is input while in heating cycle mode, the airflow speed of the indoor fan is set to the medium.

### ■ Chaos Swing Mode

- By the Chaos Swing key input, the upper/lower vane automatically operates with the Chaos Swing or they are fixed to the desired direction.
- While in Chaos Swing mode, the angles of cooling and heating cycle operations are different.

### ■ Chaos Natural Wind Mode

- When the Chaos Natural Wind mode is selected and then operated, the high, medium, or low speed of the airflow mode is operated for 2~15 sec randomly by the Chaos Simulation.”

### ■ Jet Cool Mode Operation

- While in heating mode or Fuzzy operation, the Jet Cool key cannot be input. When it is input while in the other mode operation (cooling, dehumidification, ventilation), the Jet Cool mode is operated.”
- In the Jet Cool mode, the indoor fan is operated at super-high speed for 30 min at cooling mode operation.
- In the Jet Cool mode operation, the room temperature is controlled to the setting temperature, 18°C
- When the sleep timer mode is input while in the Jet Cool mode operation, the Jet Cool mode has the priority.
- When the Jet Cool key is input, the upper/lower vanes are reset to those of the initial cooling mode and then operated in order that the air outflow could reach further.

### ■ Auto Restarting Operation

- When the power is restored after a sudden power failure while in appliance operation, the mode before the power failure is kept on the memory and the appliance automatically operates in the mode on the memory.
- The slide switch on the main unit of the appliance should be on the Auto Restarting position in order that the Auto Restarting operation is available.
- Operation Mode that is kept on the memory
  - State of Operation ON/OFF
  - Operation Mode/Setting Temp/Selected Airflow Speed
  - Sleep Timer Mode/Remaining Time of Sleep Timer (unit of hour)

### ■ Forced Operation

- To operate the appliance by force in case that the remote controller is lost, the forced operation selection switch is on the main unit of the appliance to operate the appliance in the standard conditions.
- When the power is supplied while the slide switch is on the forced operation position, or when the slide switch position is switched to the Auto Restarting (or test operation) position or switched from the remote control position to the forced operation position while the power is on, the forced operation is carried out.
- When the slide switch position is switched from the forced operation position to the Auto Restarting position or the remote control position, the forced operation is canceled and the appliance stops operating.
- The forced operation is carried out in cooling mode with the setting temperature 22°C and the high speed of airflow.
- In the forced operation mode, the indoor fan is operated at low speed for around 15 sec and then the operation condition is set according to the intake air temperature as follows.
  - 24°C ;  $\int$  Intake Air Temp  $\Rightarrow$  Cooling Mode Operation, 22°C, High Speed
  - 21°C ;  $\int$  Intake Air Temp < 24°C  $\Rightarrow$  Dehumidification Operation, 23°C, High Speed
  - Intake Air Temp < 21°C  $\Rightarrow$  Heating Mode Operation, 24°C, High Speed
- While in forced operation, the key input by the remote controller has no effect and the buzzer sounds 10 times to indicate the forced operation.

### ■ Test Operation Control

- To check the condition of the installation when installing the appliance, the appliance is operated at cooling mode, high speed of airflow, compressor-on for 18 min without controlling the room temperature.
- Only when the slide switch on the main unit is switched from the remote control position to the test operation position, test operation is carried out.
- When the slide switch position is switched to the remote control position while in test operation, the test operation is canceled and the appliance is stopped. When switched to the forced operation position, the test operation is canceled and the forced operation is carried out.
- While in test operation, a key can be input by the remote controller.  
When a key (operation start/stop, operation mode selection, airflow speed selection, temperature control, Jet Cool) is input by the remote controller, the test operation is canceled and the appliance is operated according to the setting by the remote controller.

### ■ Remote Control Operation Mode

- When the remote control is selected by the slide switch on the main unit, the appliance operates according to the input by the remote controller.

### ■ Protection of the evaporator pipe from frosting

- If the indoor pipe temp is below 0°C in 7 min after the compressor operates without any pause while in cooling cycle operation mode, the compressor and the outdoor fan are turned off in order to protect the indoor evaporator pipe from frosting.
- When the indoor pipe temp is 7°C or higher after 3 min pause of the compressor, the compressor and the outdoor fan is turned on according to the condition of the room temperature.

### ■ Buzzer Sounding Operation

- When the appliance-operation key is input by the remote controller, the short “beep-beep-” sounds.
- When the appliance-pause key is input by the remote controller, the long “beep—” sounds.
- When a key is input by the remote controller while the slide switch on the main unit of the appliance is on the forced operation position, the error sound “beep-beep-beep-beep-beep-” is made 10 times to indicate that the remote control signal cannot be received.

### ■ Self Diagnosis Operation

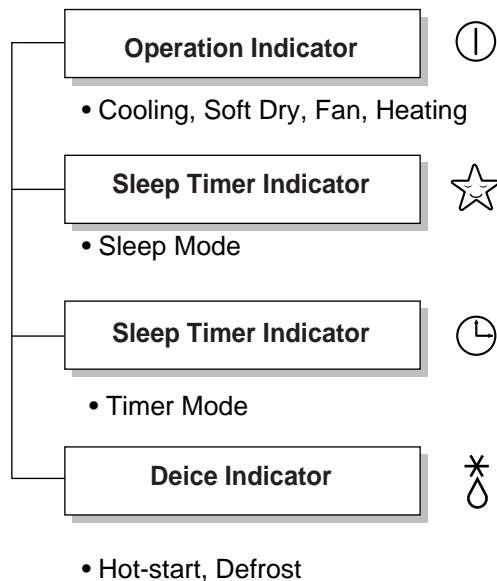
#### Thermistor Error Indicator

- When the indoor pipe sensor or the room temperature sensor is open or is shorted, the error is indicated.
- To indicate the error, the operation LED (or the cooling LED) flashed at 3 sec interval.
- When the error is cleared, the LED stops flashing, the operation (or cooling) LED is on.
- While in appliance pause, the error is not indicated.
- Since the airflow quantity and speed are controlled by the adjustment of the vane angle using the Wind-up effect, you can enjoy the natural and pleasant wind uniformly at any location in the room.
- Since the indoor outflow air is sucked again by the upper/lower vanes, the indoor temperature drop is minimized and the pleasant humidity is maintained.



# Display Function

## 1. Heating Model



# Self-diagnosis Function

## ■ Error Indicator

- The function is to self-diagnosis airconditioner and express the troubles identifiably if there is any trouble.
- Error mark is ON/OFF for the operation LED of evaporator body in the same manner as the following table.
- If more than two troubles occur simultaneously, primarily the highest trouble for error code is expressed.
- After error occurrence, if error is released, error LED is also released simultaneously.
- To operate again on the occurrence of error code 12, be sure to pull out power cord and then re-insert.
- Having or not of error code is different from Model.

Error Code	Error LED (Indoor body operation LED)	Error contents	SVC check point
1	 (once) 3sec 3sec 3sec	<ul style="list-style-type: none"> <li>• Indoor suction temperature thermistor open/short.</li> <li>• Indoor pipe temperature thermistor open/short.</li> </ul>	<ul style="list-style-type: none"> <li>• Indoor TH ass'y check</li> </ul>
2	 (twice) 3sec 3sec	<ul style="list-style-type: none"> <li>• Outdoor suction temperature thermistor open/short.</li> <li>• Outdoor pipe temperature thermistor open/short.</li> </ul>	<ul style="list-style-type: none"> <li>• Outdoor TH ass'y check</li> </ul>
3	 (3times) 3sec 3sec	<ul style="list-style-type: none"> <li>• Abnormal operation of multi product. (Simultaneous operation of cooling and heating)</li> </ul>	<ul style="list-style-type: none"> <li>• Resetting of remote operating mode</li> </ul>
5	 (5times) 3sec	<ul style="list-style-type: none"> <li>• Poor communication</li> </ul>	<ul style="list-style-type: none"> <li>• Communication line/circuit check</li> </ul>
12	 (once) (twice) (once) (twice) 3sec 3sec 3sec	<ul style="list-style-type: none"> <li>• Misconnection of connecting cables</li> </ul>	<ul style="list-style-type: none"> <li>• Primarily check refrigerant pressure</li> <li>• Connecting pipe check</li> <li>• Connecting cable check</li> </ul>

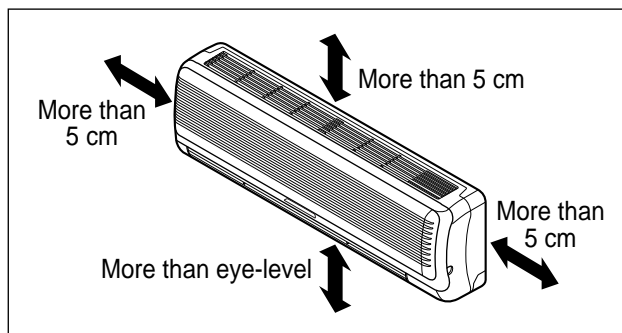
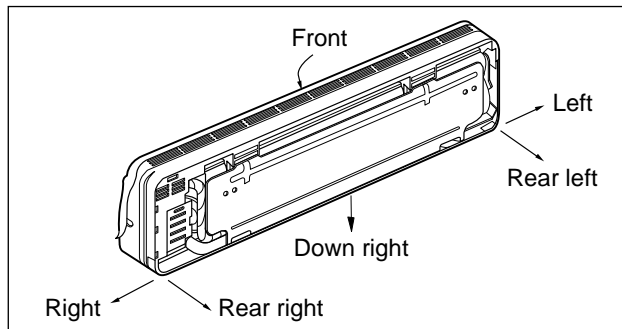
# Installation

## (1) Installation of Indoor, Outdoor unit

### 1) Selection of the best location

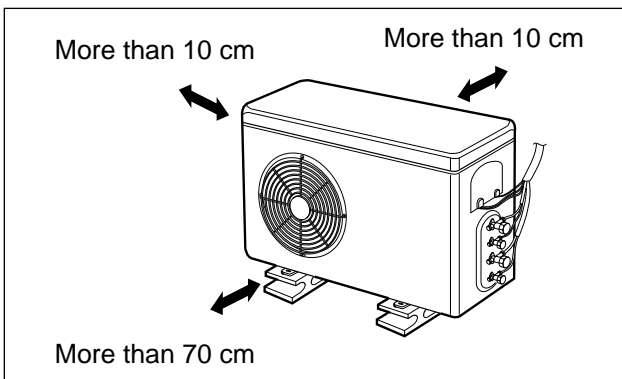
#### 1. Indoor unit

- There should not be any heat source or steam near the unit.
- There should not be any obstacles to prevent the air circulation.
- A place where air circulation in the room will be good.
- A place where drainage can be easily obtained.
- A place where noise prevention is taken into consideration.
- Do not install the unit near the door way.
- Ensure the spaces indicated by arrows from the wall, ceiling, fence, or other obstacles.



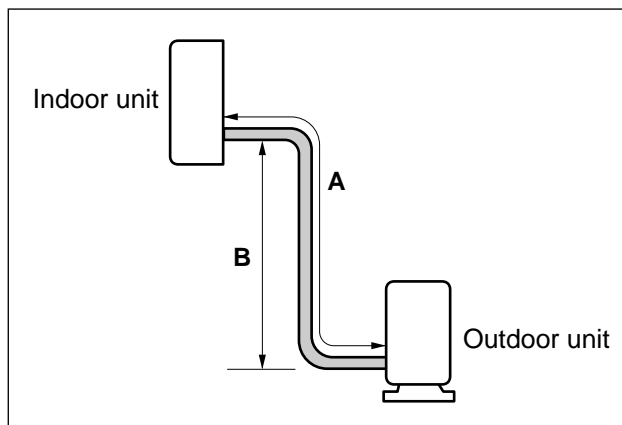
#### 2. Outdoor unit

- If an awning is built over the unit to prevent direct sunlight or rain exposure, be careful that heat radiation from the condenser is not restricted.
- There should not be any animals or plants which could be affected by hot air discharged.
- Ensure the spaces indicated by arrows from the wall, ceiling, fence, or other obstacles.



### 3. Piping length and the elevation

Pipe Size		Max. piping length A (m)	Max. Elevation B (m)
GAS	LIQUID		
1/2"	1/4"	10~15	5~7



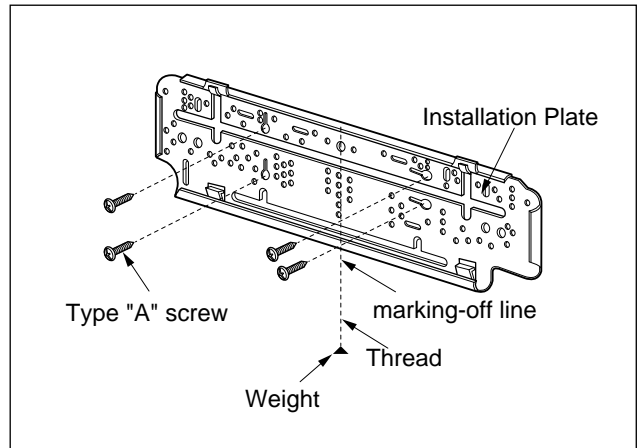
## 2) Indoor Unit Installation

The mounting wall should be strong and solid enough to protect it from the vibration.

### 1. Mount the installation plate on the wall with four Type "A" screws.

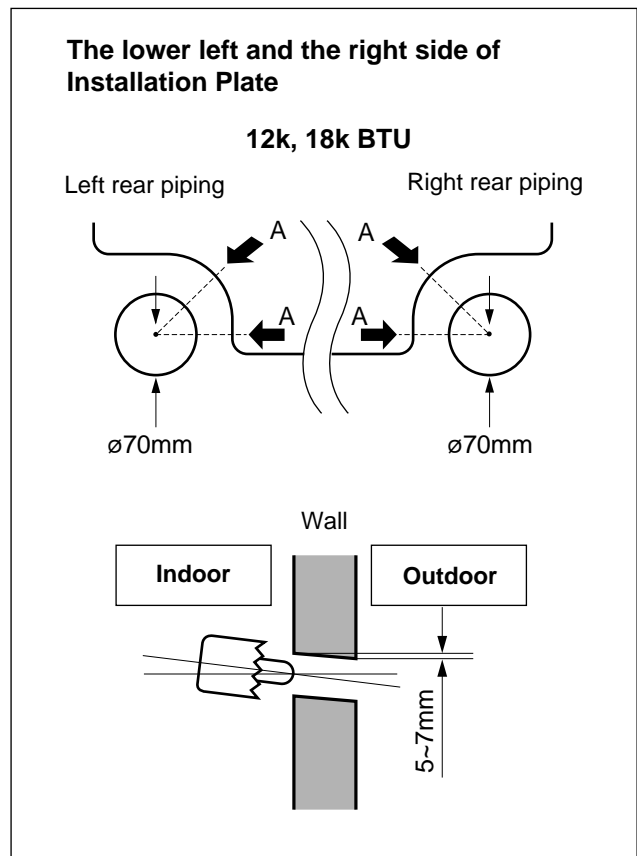
(If mounting the unit on the concrete wall, consider using anchor bolts.)

- Always mount the Installation plate horizontally by aligning the marking-off line by means of the thread and a level.



### 2. Drill the piping hole with 70mm dia. holecore drill.

- Line according to the arrows marked on lower left and the right side of the Installation Plate. The meeting point of the extended line is the center of the hole.
- Drill the piping hole at either the right or the left and the hole should be slightly slant to the outdoor side.

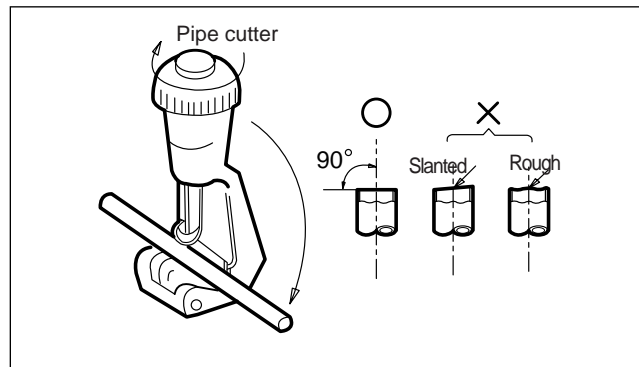


## (2) Piping and Drainage of Indoor Unit

### 1) Preparation of pipings

#### 1. Cut the pipes and the cable.

- Use the accessory piping kit or the pipes purchased locally.
- Measure the distance between the indoor and the outdoor unit.
- Cut the pipes a little longer than the measured distance.
- Cut the cable 1.5m longer than the length of the pipe.

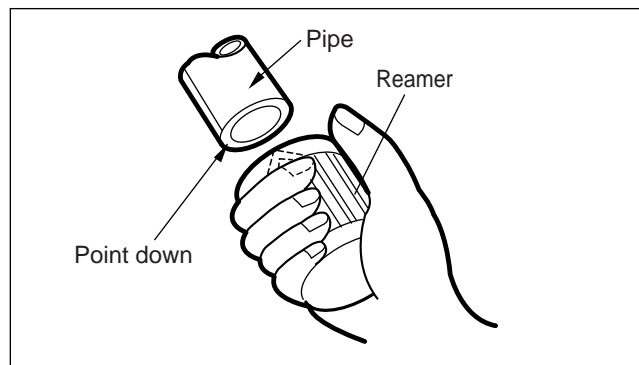


#### 2. Remove burrs.

- Remove burrs from cut edges of pipes.
- Turn the pipe end toward down to avoid the metal powder entering the pipe.

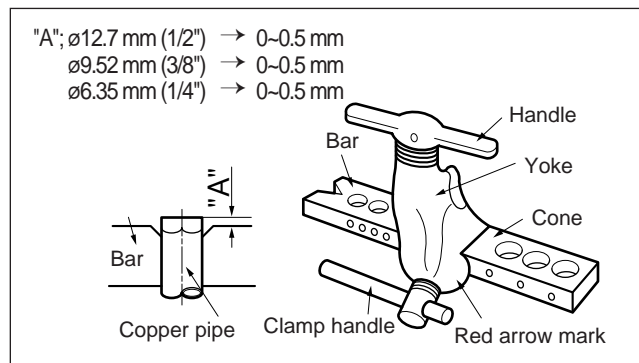
#### Caution:

If burrs are not removed, they may cause a gas leakage.

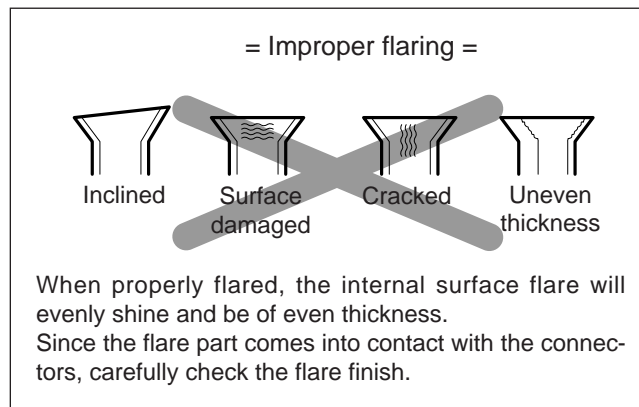


#### 3. Flaring the pipes.

- Insert the flare nuts, mounted on the connection ports of both indoor and outdoor unit, onto the copper pipes. Some refrigerant gas may leak, when the flare nuts are removed from the indoor unit, as some gas is charged to prevent the inside of the pipe from rusting.
- Fit the copper pipe end into the Bar of flare tool about 0~0.5mm higher. (See illustration)
- Flare the pipe ends.



#### 4. Tape the flaring portion to protect it from the dust or damages.



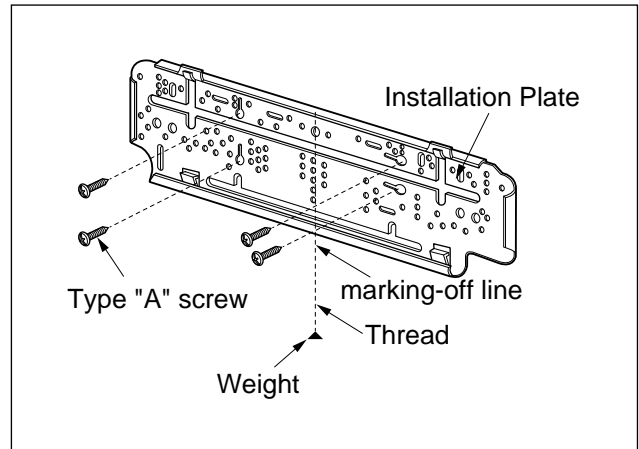
## 2) Indoor Unit Installation

The mounting wall should be strong and solid enough to protect it from the vibration.

### 1. Mount the installation plate on the wall with four Type "A" screws.

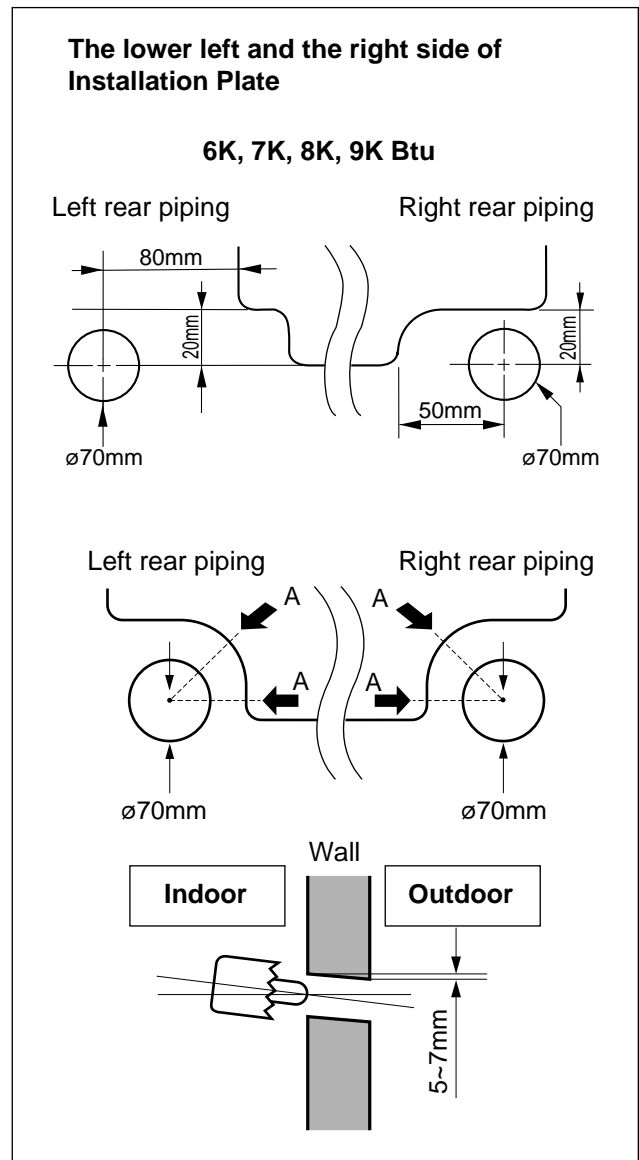
(If mounting the unit on the concrete wall, consider using anchor bolts.)

- Always mount the Installation plate horizontally by aligning the marking-off line by means of the thread and a level.



### 2. Drill the piping hole with 70mm dia. holecore drill.

- Line according to the arrows marked on lower the left and the right side of the Installation Plate. The meeting point of the extended line is the center of the hole.
- Drill the piping hole at either the right or the left and the hole should be slightly slant to the outdoor side.

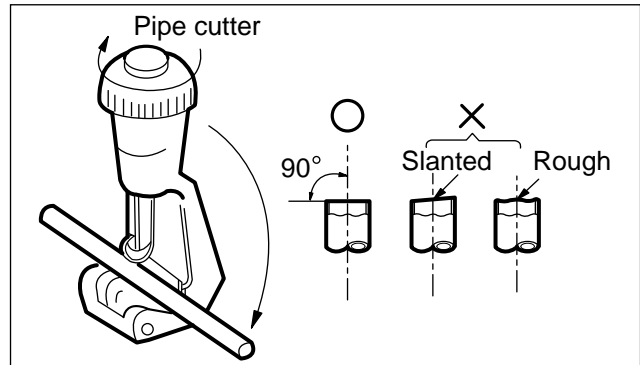


### (3) Piping and Drainage of Indoor Unit

#### 1) Preparation of pipings

##### 1. Cut the pipes and the cable.

- Use the accessory piping kit or the pipes purchased locally.
- Measure the distance between the indoor and the outdoor unit.
- Cut the pipes a little longer than the measured distance.
- Cut the cable 1.5m longer than the length of the pipe.

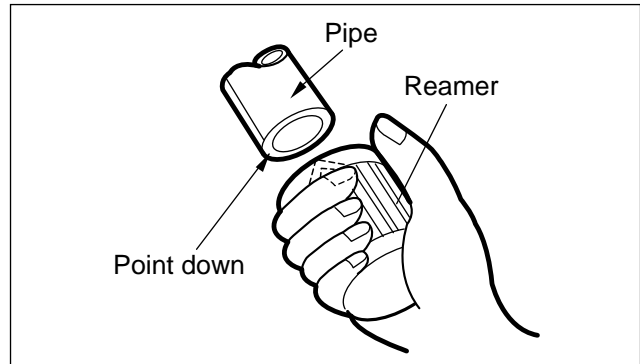


##### 2. Remove burrs.

- Remove burrs from cut edges of pipes.
- Turn the pipe end toward down to avoid the metal powder entering the pipe.

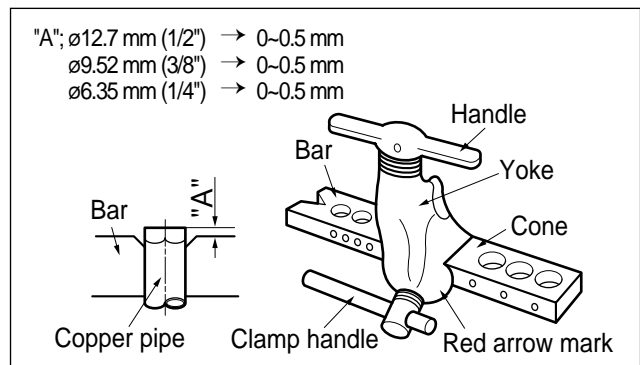
##### Caution:

If burrs are not removed, they may cause a gas leakage.

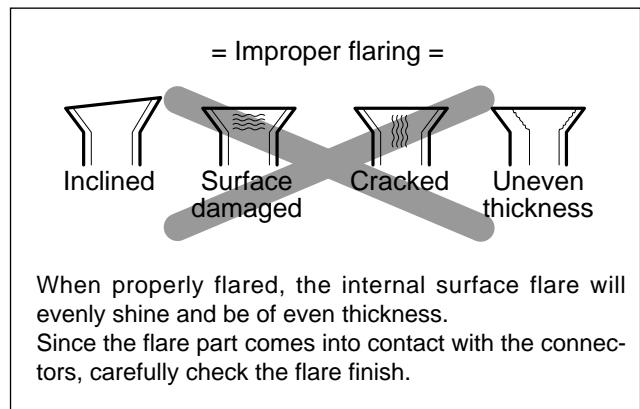


##### 3. Flaring the pipes.

- Insert the flare nuts, mounted on the connection ports of both indoor and outdoor unit, onto the copper pipes. Some refrigerant gas may leak, when the flare nuts are removed from the indoor unit, as some gas is charged to prevent the inside of the pipe from rusting.
- Fit the copper pipe end into the Bar of flare tool about 0~0.5mm higher. (See illustration)
- Flare the pipe ends.



##### 4. Tape the flaring portion to protect it from the dust or damages.

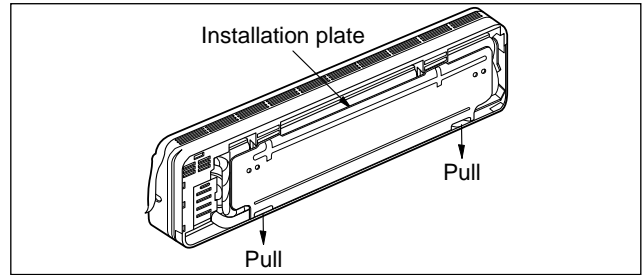


## 2) Connection of Pipings

### 1. Remove the installation plate

- Pull the two 'Δ' marked portion of bottom of the chassis and pull the installation plate out of chassis.

### 2. Route the drain hose and the indoor tubing.

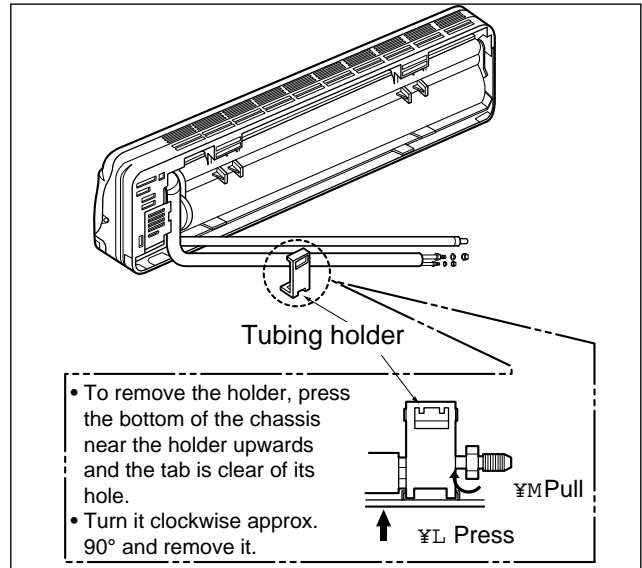


### For left rear piping

### 3. Route the tubing and the drain hose straight backwards(see figure).

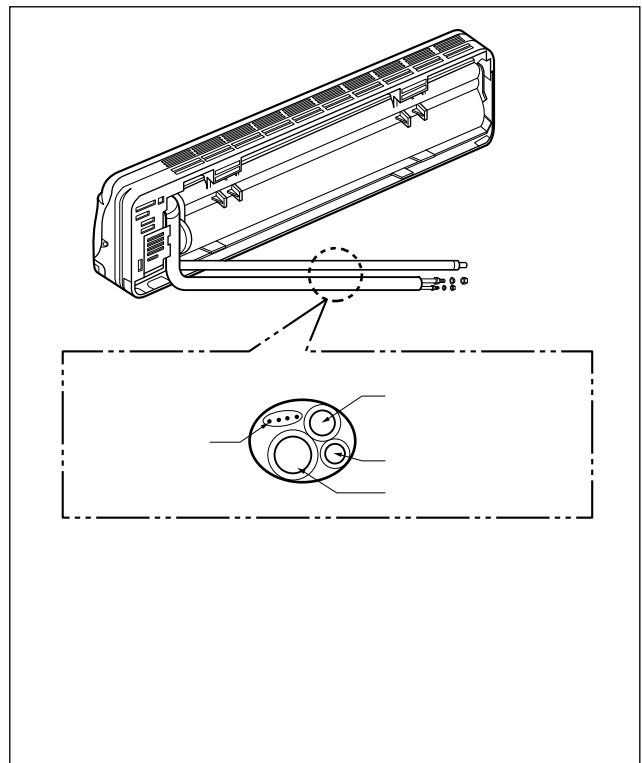
### 4. Insert the connecting cable into the indoor unit through the piping hole.

- Do not connect the cable to the indoor unit.
- Make a small loop with the cable for easy connection later.



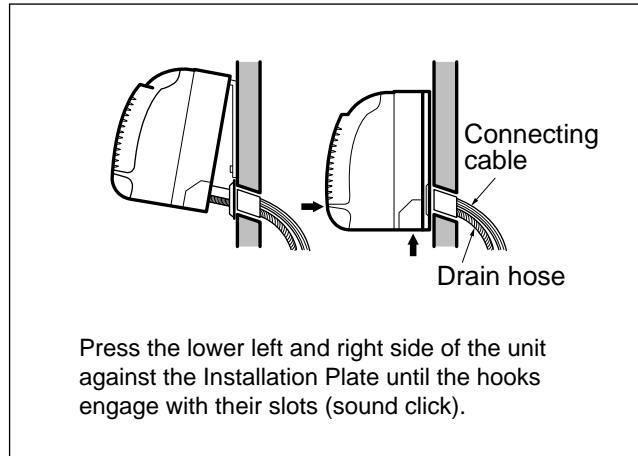
### 5. Tape the tubing, drain hose and the connecting cable. Be sure that drain hose locates at the lowest side of the bundle.

Locating at the upper side can be a reason that drain water overflows drain pan inside the unit.



**6. Indoor unit installation.**

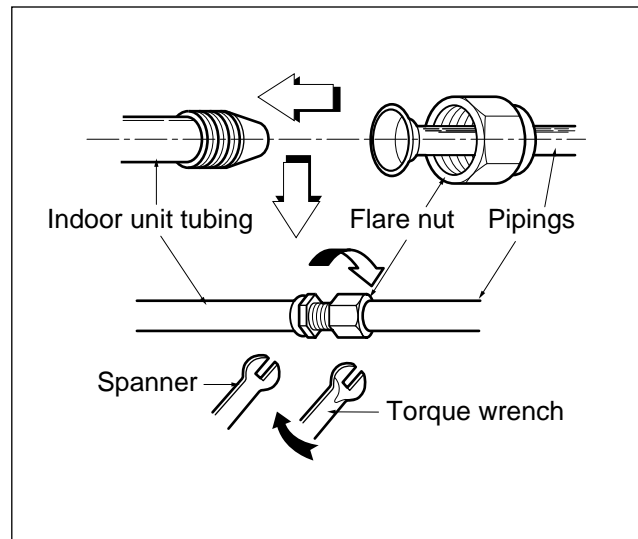
- Hook the indoor unit onto the upper position of the installation plate. (Engage the two hooks of the rear top of the indoor unit with the upper edge of the installation plate.)  
Ensure the hooks are properly seated on the installation plate by moving it in left and right.



**7. Connecting the pipings to the indoor unit.**

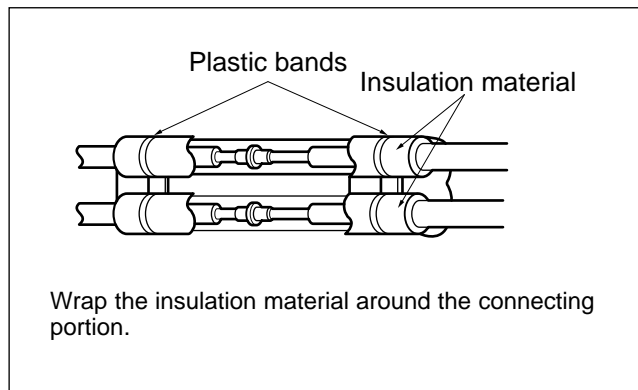
- Align the center of the pipings and sufficiently tighten the flare nut with fingers.
- Finally, tighten the flare nut with torque wrench until the wrench clicks.  
Wrench tightening the flare nut with forque wrench, ensure the direction for tightening follows the arrows on the wrench.

Pipe Size	Torque
Liquid Side (1/4")	1.8kg <sub>·</sub> m
Gas Side (3/8")	4.2kg <sub>·</sub> m
Gas Side (1/2")	5.5kg <sub>·</sub> m



**8. Wrap the insulation material around the connecting portion.**

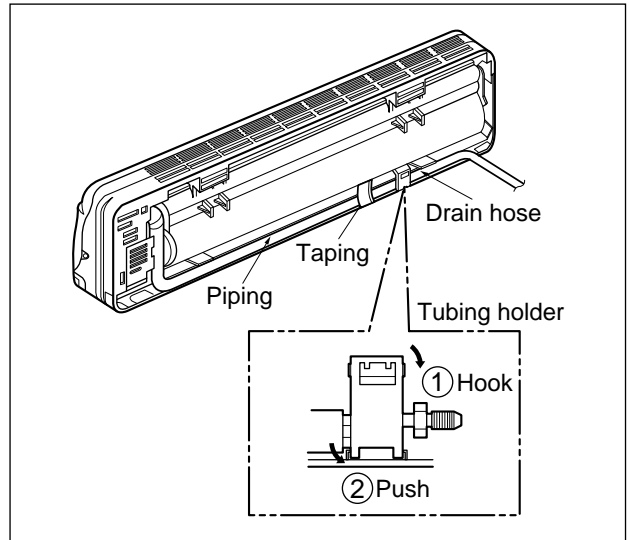
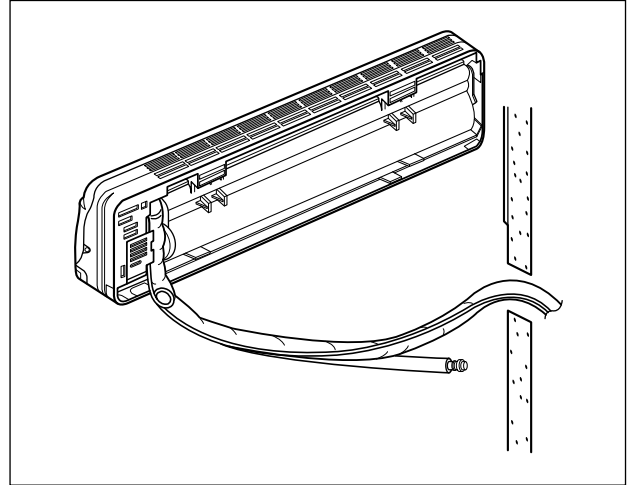
**CAUTION:** Take care to arrange the pipings, drain hose and cables as the right upper picture for inserting it into the indoor unit and refixing the tubing holder easily.





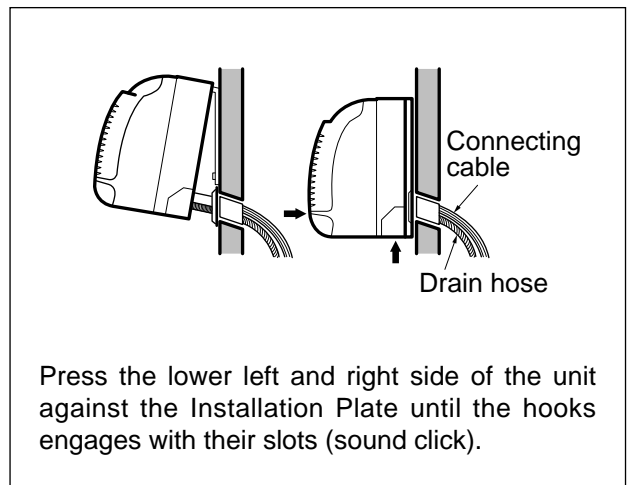
**9. Set the pipings and the connecting cable to the back of the chassis with the tubing holder.**

- Hook the edge of tubing holder to tap on chassis and push the bottom of tubing holder to be engaged in the bottom of chassis.



**10. Indoor unit installation.**

- Hook the indoor unit onto the upper portion of installation plate. (Engage the two hooks of the rear top of the indoor unit with the upper edge of the installation plate.)  
Ensure the hooks are properly seated on the installation plate by moving it in left and right.

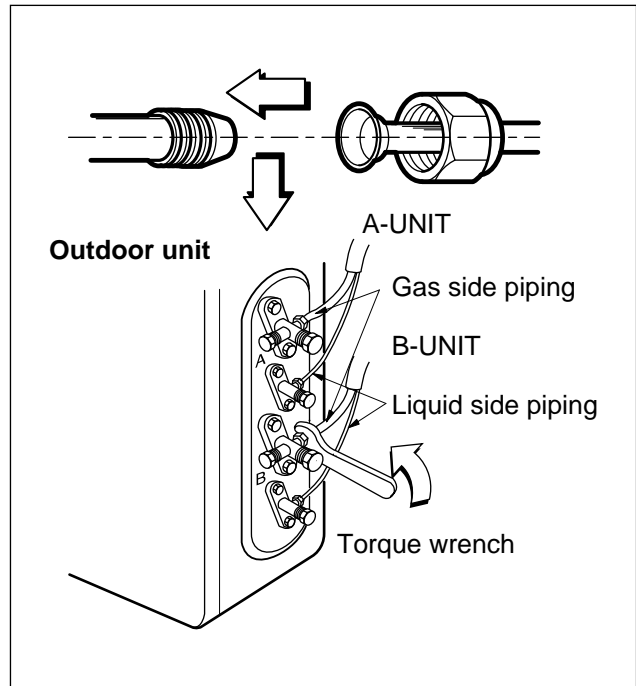


## (4) Connecting Pipings and the cable to Outdoor unit

### 1) Connecting the pipings to the Outdoor unit

1. Align the center of the pipings and sufficiently tighten the flare nut with fingers.
2. Finally, tighten the flare nut with torque wrench until the wrench clicks.
  - When tightening the flare nut with torque wrench, ensure the direction for tightening follows the arrow on the wrench.

Pipe Size	Torque
Liquid Side (1/4")	1.8kg·m
Gas Side (3/8")	4.2kg·m
Gas Side (1/2")	5.5kg·m



### CAUTION

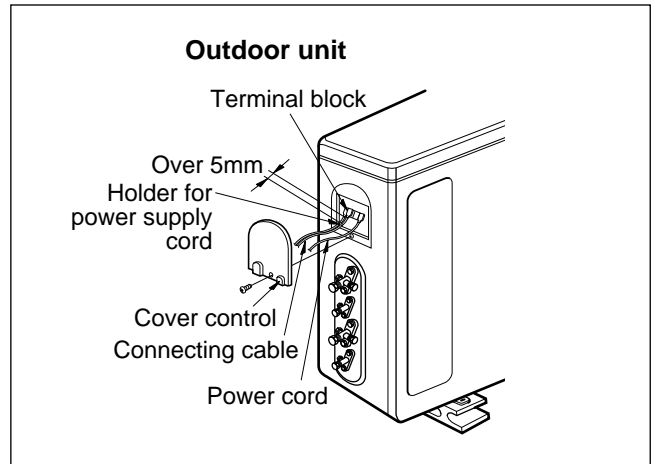
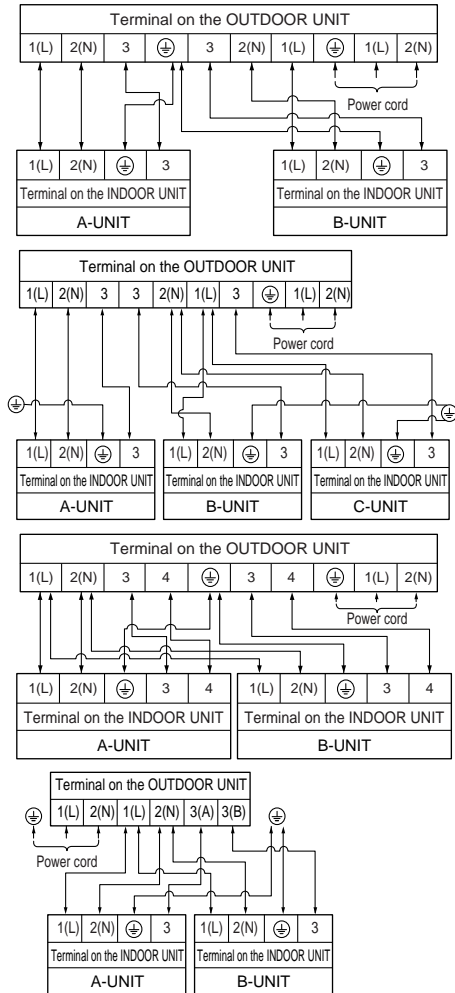
After the confirmation of the above conditions, prepare the wiring as follows:

- 1) **Never fail to have an individual power specialized for the air conditioner. As for the method of wiring, be guided by the circuit diagram pasted on the inside of control box cover.**
- 2) **The means for disconnection from a power supply shall be incorporated in the fixed wiring and have an air gap contact separation of at least 3mm in each active(phase) conductors.**
- 3) **The screw which fasten the wiring in the casing of electrical fittings are liable to come loose from vibrations to which the unit is subjected during the course of transportation. Check them and make sure that they are all tightly fastened. (If they are loose, it could give rise to burn-out of the wires.)**
- 4) **Specification of power source.**
- 5) **Confirm that electrical capacity is sufficient.**
- 6) **See to that the starting voltage is maintained at more than 90 percent of the rated voltage marked on the name plate.**
- 7) **Confirm that the cable thickness is as specified in the power sources specification. (Particularly note the relation between cable length and thickness.)**
- 8) **Never fail to equip a leakage breaker where it is wet or moist.**
- 9) **The following troubles would be caused by voltage drop-down.**
  - Vibration of a magnetic switch, damage on the contact point there of, fuse breaking, disturbance to the normal function of a overload protection device.
  - Proper starting power is not given to the compressor.

## 2) Connection of the cable

1. Remove the cover control from the unit by loosening the screw.

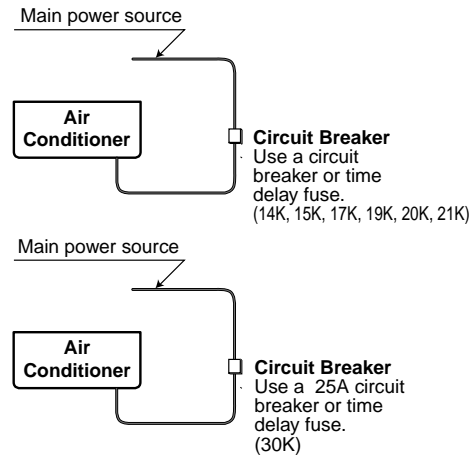
Connect the wires to the terminals on the control board individually as the following.



- Secure the cable onto the control board with the holder (clamer).
- Refix the cover control to the original position with the screw.
- Use a recognized circuit breaker between the power source and the unit. A disconnection device to adequately disconnect all supply lines must be fitted.

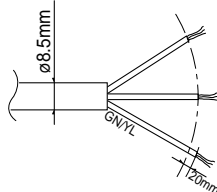
### Caution

If a power plug is not to be used, provide a circuit breaker between power source and the unit as shown below.



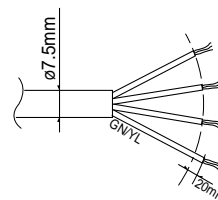
### CAUTION

The power cord connected to the outdoor unit should be complied with the following specifications (Rubber insulation, type H05RN-F approved by HAR or SAA).



**NORMAL CROSS-SECTIONAL AREA**  
2.5mm<sup>2</sup> or 3.5mm<sup>2</sup>

The connecting cable connected to the indoor and outdoor unit should be complied with the following specifications (Rubber insulation, type H07RN-F approved by HAR or SAA).



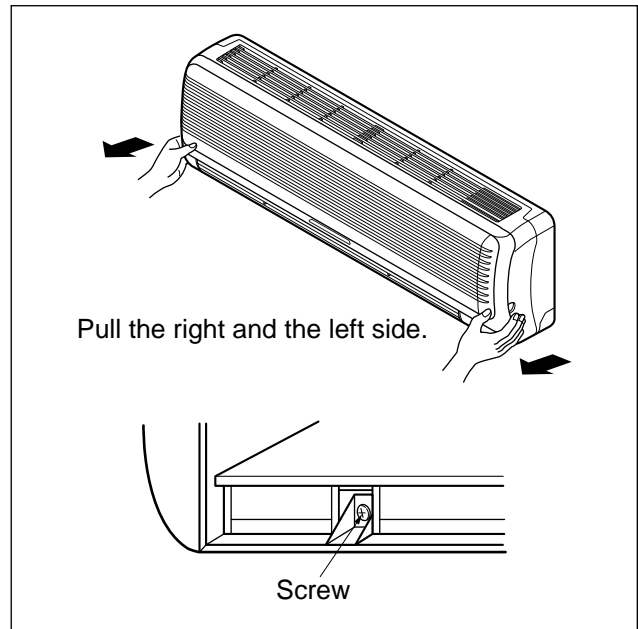
**NORMAL CROSS-SECTIONAL AREA**  
1.25mm<sup>2</sup>

## (5) Checking the Drainage and Pipe forming

### 1) Checking the Drainage

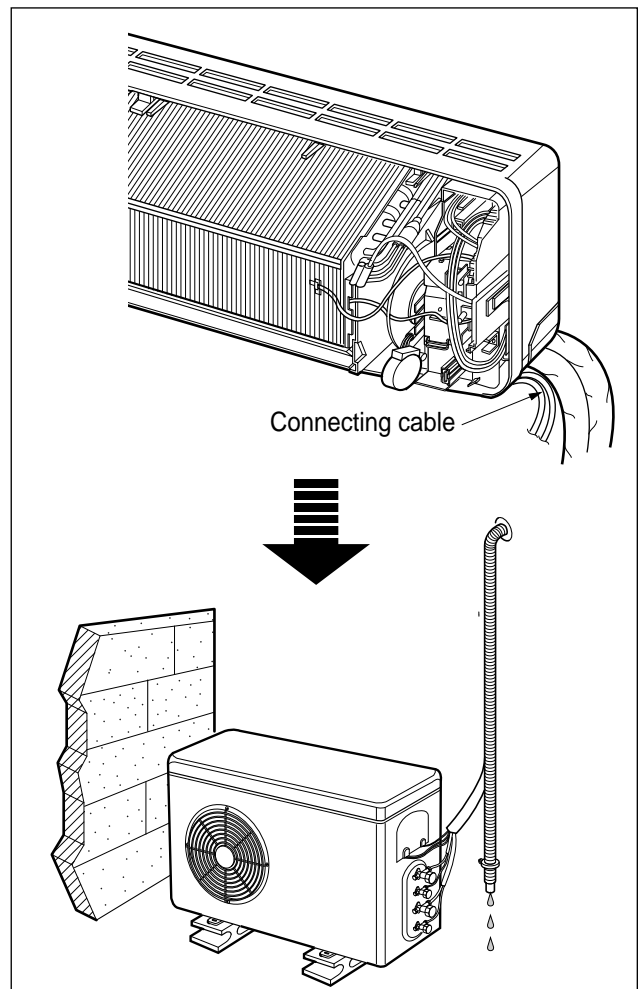
#### 1. Remove the Grille from the cabinet

- Set the up-and-down air direction louver to open position(horizontally) by finger pressure.
- Remove the securing screws.
- To remove the Grille, pull lower the left and right side of the grille toward you (slightly tilted) and lift it straight upward.



#### 2. Check the drainage

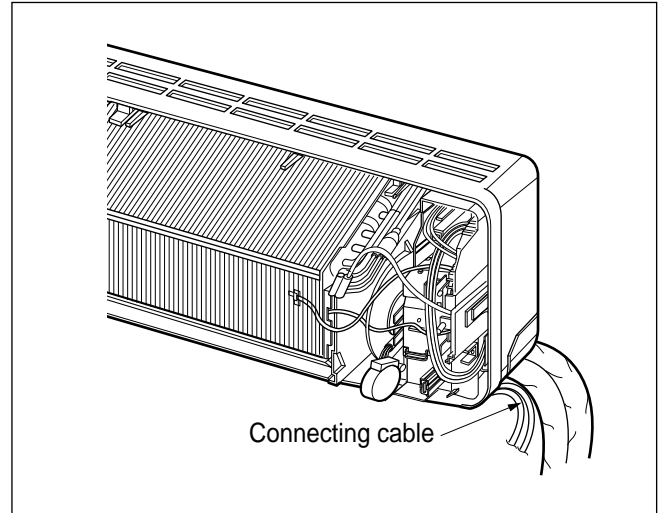
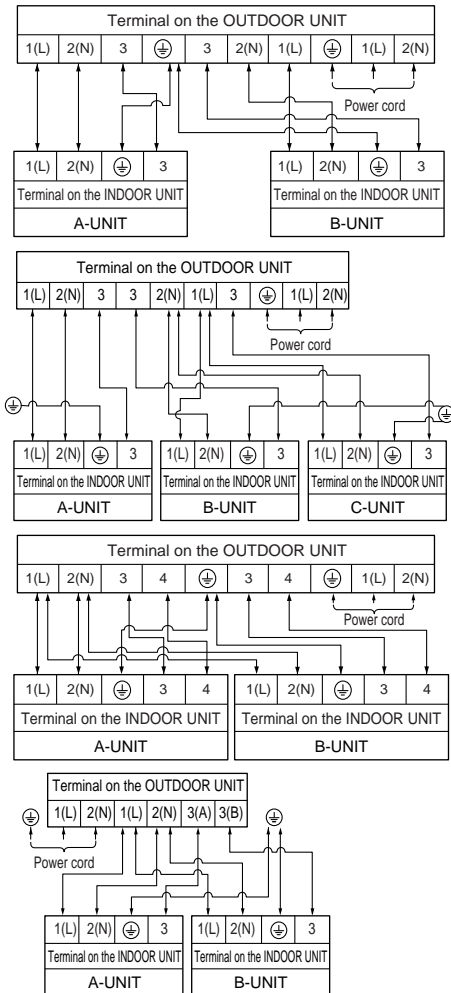
- Pour a glass of water on the evaporator.
- Ensure if water flows drain hose of indoor unit without any leakage.



## 2) Connect the cable to the indoor unit

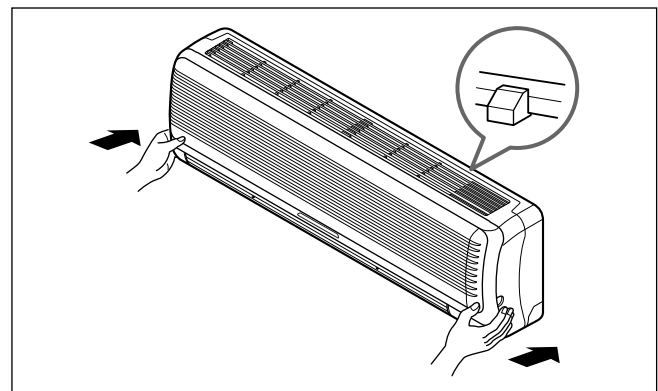
### 1. Connect the wires to the terminals on the control board individually according to the outdoor unit connection.

- Ensure that the color of the wires of outdoor unit and the terminal No. are the same as those of indoor unit respectively.



### 2. Attach the Grille onto the cabinet.

- Grasp lower the left and right side of the Grille and engage four tabs on the top inside edge of the chassis.
- Press the Grille toward the chassis until it will be back into place.



### 3) Form the pipings

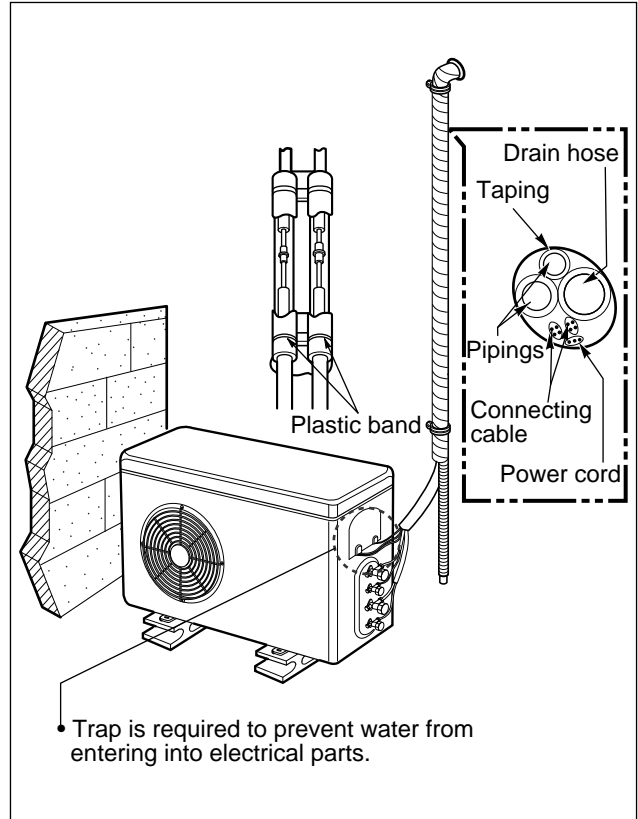
1. Wrap the connecting portion of indoor unit with the Insulation material and secure it with two Plastic Bands(for the left pipings).

- If you want to connect an additional drain hose, the end of the drain-outlet should keep distance from the ground.(Do not dip it into water, and fix it on the wall to avoid swinging in the wind.)

In case of the Outdoor unit is installed bellow position of the Indoor unit.

2. Tape the Pipings, drain hose and Connecting Cable from down to up.

3. Form the pipings gathered by taping along the exterior wall and fix it onto the wall by saddle or equivalent.

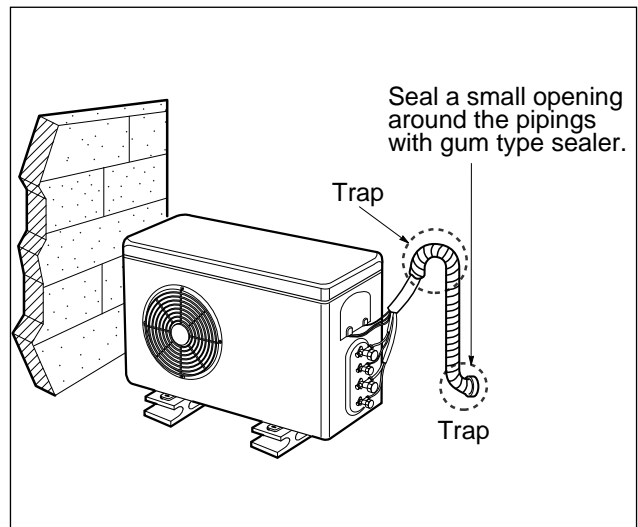


In case of the Outdoor unit is installed upper position of the Indoor unit.

1. Tape the Pipings and Connecting cable from down to up.

2. Form the pipings gathered by taping along the exterior wall and the Trap to be required to prevent the room from entering the water.

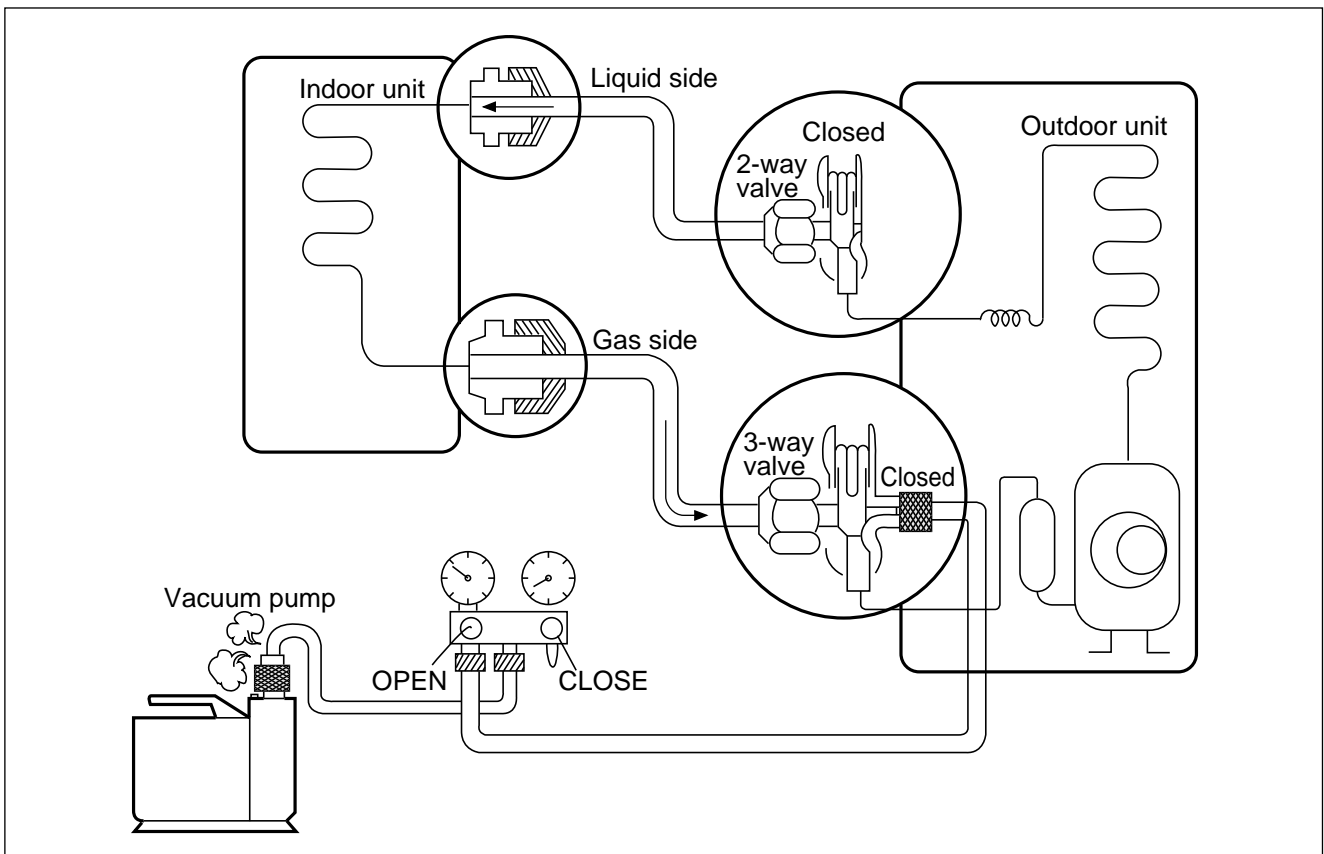
3. Fix the pipings onto the wall by saddle or equivalent.



## (6) Air Purging of the Pipings and indoor unit

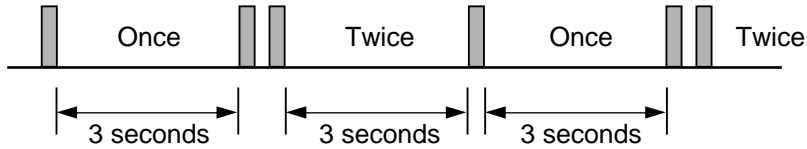
The air which contains moisture remaining in the is refrigeration cycle may cause a malfunction on the compressor.

1. Confirm that both the liquid side valve and the gas side valve are set to the closed position.
2. After connecting the piping, check the joints for gas leakage with gas leak detector.
3. Remove the service port nut, and connect the gauge manifold and the vacuum pump to the service port by the charge hose.
4. Vacuum the indoor unit and the connecting pipes until the pressure in them lowers to below-76cmHg.
5. Disconnect the charge hose and fit the nut to the service port.  
(Tightening torque: 1.8kg-m)
6. Remove the valve stem nuts, and fully open the stems of the 2-way and 3-way valves with a hexagon wrench.
7. Tighten the valve stem nuts of the 2-way valve and 3-way valve.



## (7) Preventive function of cable mis-connection(Cooling & Heating)

This product has a preventive function of cable mis-connection. In case of mis-connection (in case that the cables between indoor and outdoor units have not been connected properly), it gives a warning signal of LED flickering 3 minutes after starting operation. (Press the forced operation key more than 3 seconds.)



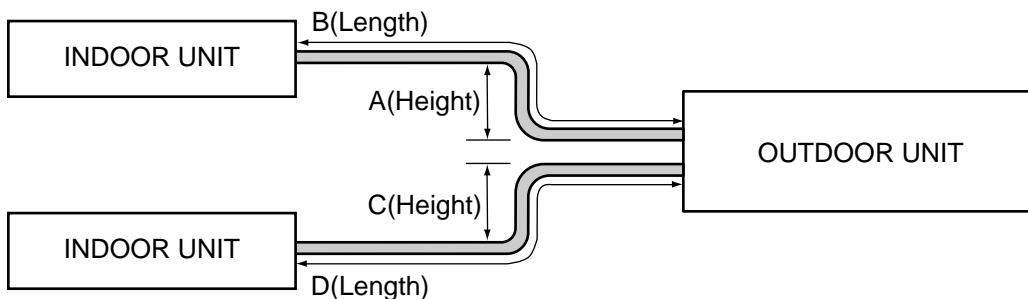
### CAUTION

Don't turn on all the indoor units all at once when you check the connection status. In that case the sensor can not be operated properly.

## (8) Maximum Length of Pipe and Freon Extra Charge

Charge amount per 1m

Capacity (Btu/h)	STANDARD LENGTH(m)	CONNECTION TYPE				Charge am't(g) per 1m
		A	B	C	D	
~7000	7.5	7	15	7	15	20
~9000	7.5	7	15	7	15	20
~12000	7.5	7	15	7	15	20
~18000	7.5	7	15	7	15	40
~24000	7.5	7	15	7	15	40



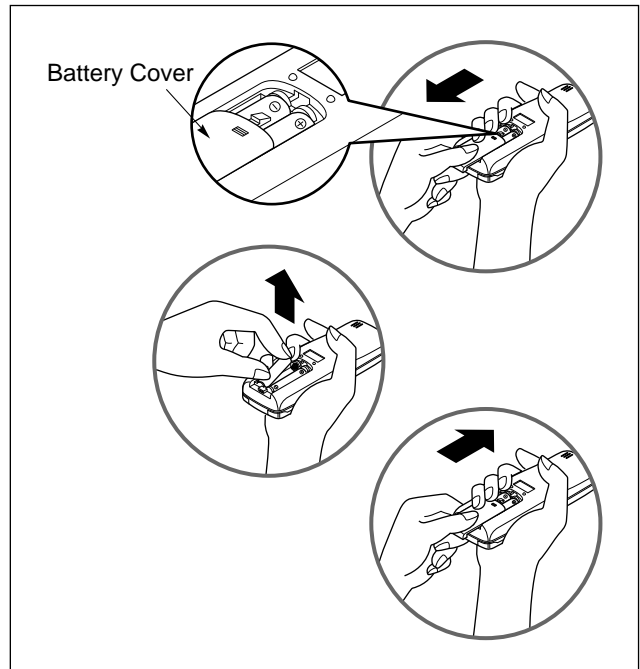
\*\* A, B mean indoor unit higher located than outdoor unit.  
C, D mean outdoor unit higher located than indoor unit.



## (9) Test running

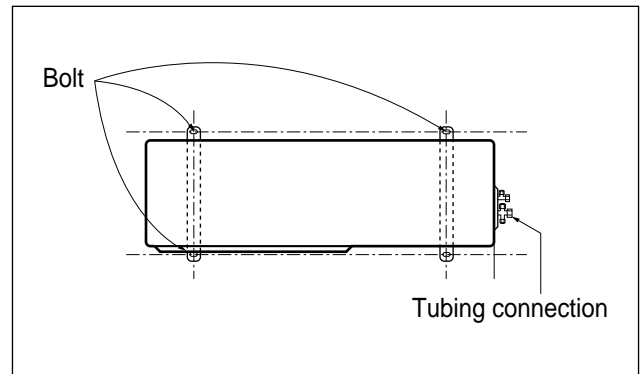
### 1) Connection of power supply

1. **Connect the power supply cord to the independent power supply.**
2. **Prepare the remote control.**
  - Insert two batteries provided.  
Remove the battery cover from the remote controller.
  - Slide the cover according to the arrow direction.  
Insert the two batteries.  
(Two "R03" or "AAA" dry-cell batteries or equivalent.)
  - Be sure that the (+) and (-) directions are correct.
  - Be sure that both batteries are new.  
Re-attach the cover.
  - Slide it back into position.
3. **Operate the unit at cooling operation mode for fifteen minutes or more.**



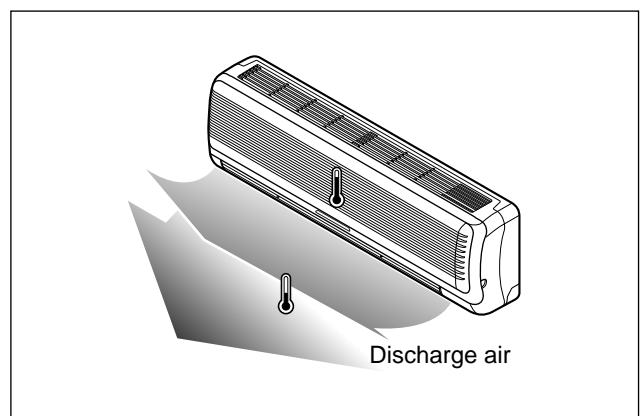
### Settlement of Outdoor Unit

- Anchor the outdoor unit with a bolt and nut ( $\varnothing 10\text{cm}$ ) tightly and horizontally on a concrete or rigid mount.
- When installing on the wall, roof or rooftop, anchor the mounting base securely with a nail or wire assuming the influence of wind and earthquake.
- In the case when the vibration of the unit is conveyed to the house, settle the unit with an anti-vibration rubber.



### 2) Evaluation of the performance

1. **Measure the temperature of the intake and discharge air.**
2. **Ensure the difference between the intake temperature and the discharge one is more than 8°C.**



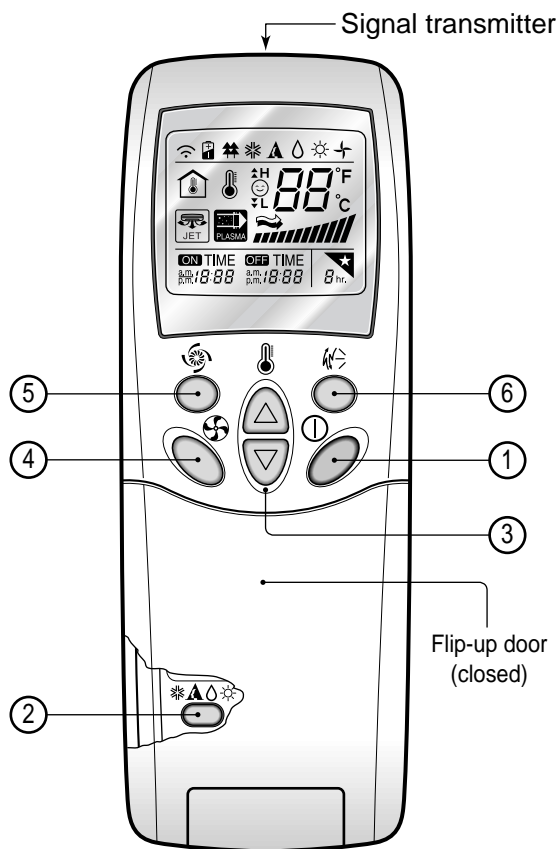
# Operation

## (1) Name and Function-Remote Control (Door Closed)

### Remote Control

#### Signal transmitter

Transmits the signals to the room air conditioner.



- 1 START/STOP BUTTON**  
Operation starts when this button is pressed and stops when the button is pressed again.
- 2 OPERATION MODE SELECTION BUTTON**  
Used to select the operation mode.
- 3 ROOM TEMPERATURE SETTING BUTTONS**  
Used to select the room temperature.
- 4 INDOOR FAN SPEED SELECTOR**  
Used to select fan speed in four steps low, medium, high, or CHAOS.
- 5 JET COOL**  
Used to start or stop the speed cooling. (Speed cooling operates super high fan speed in cooling mode.)
- 6 CHAOS SWING BUTTON**  
Used to stop or start louver movement and set the desired up/down airflow direction.

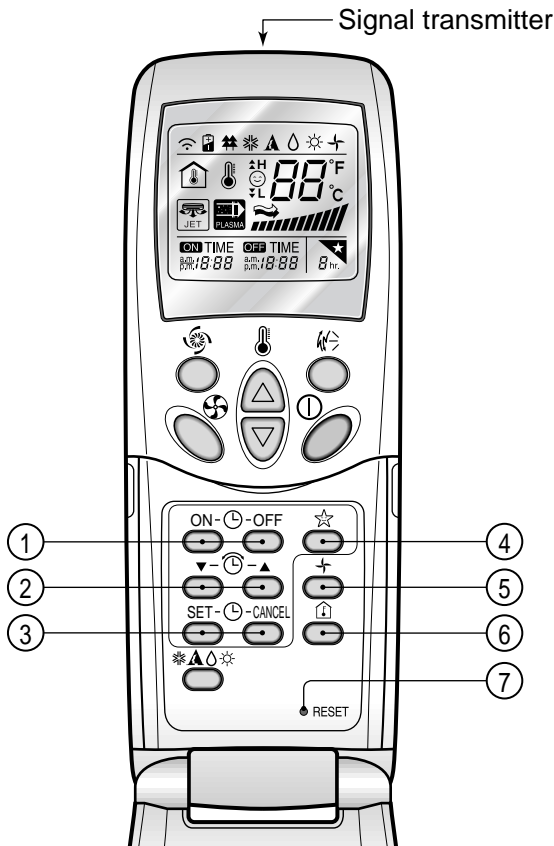
## (2) Name and Function-Remote Control (Door opened)

- Heating and Cooling

### Remote Control

#### Signal transmitter

Transmits the signals to the room air conditioner.



- 1 ON/OFF TIMER BUTTONS**  
Used to set the time of starting and stopping operation.
- 2 TIME SETTING BUTTONS**  
Used to adjust the time.
- 3 TIMER SET/CANCEL BUTTONS**  
Used to set the timer when the desired time is obtained and to cancel the Timer operation.
- 4 SLEEP MODE AUTO BUTTON**  
Used to set Sleep Mode Auto operation.
- 5 AIR CIRCULATION BUTTON**  
Used to circulate the room air without cooling or heating (turns indoor fan on/off).
- 6 ROOM TEMPERATURE CHECKING BUTTON**  
Used to check the room temperature.
- 7 RESET BUTTON**  
Used prior to resetting time or after replacing batteries.

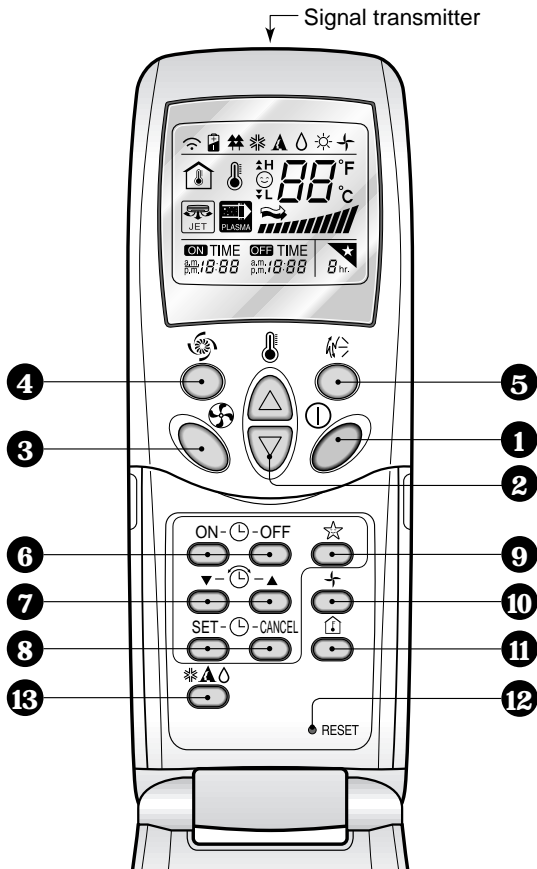
### (3) Name and Function-Remote Control (Door opened)

- Cooling only

#### Remote Control

##### Signal transmitter

Transmits the signals to the room air conditioner.



- 1 ON/OFF TIMER BUTTONS**  
Used to set the time of starting and stopping operation.
- 2 TIME SETTING BUTTONS**  
Used to adjust the time.
- 3 TIMER SET/CANCEL BUTTONS**  
Used to set the timer when the desired time is obtained and to cancel the Timer operation.
- 4 SLEEP MODE AUTO BUTTON**  
Used to set Sleep Mode Auto operation.
- 5 AIR CIRCULATION BUTTON**  
Used to circulate the room air without cooling or heating (turns indoor fan on/off).
- 6 ROOM TEMPERATURE CHECKING BUTTON**  
Used to check the room temperature.
- 7 RESET BUTTON**  
Used prior to resetting time or after replacing batteries.

# Disassembly of the parts (Indoor unit)

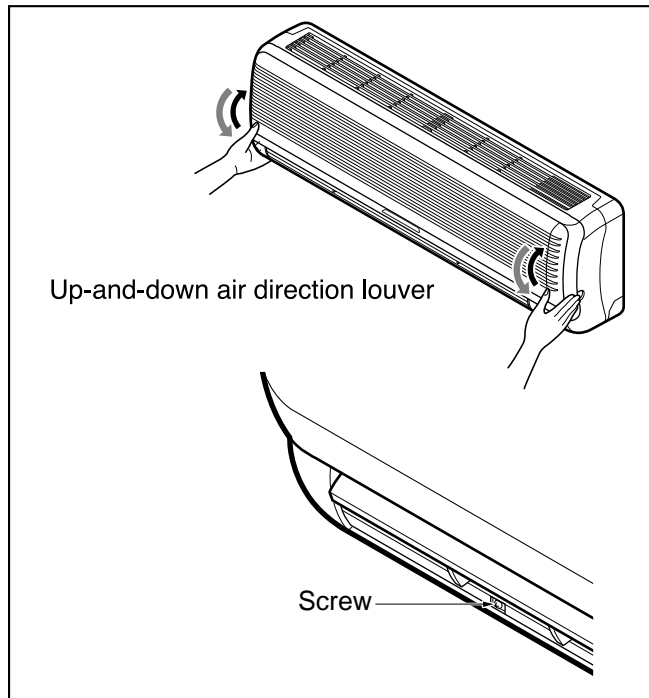
## Warning :

Disconnect the unit from power supply before making any checks.

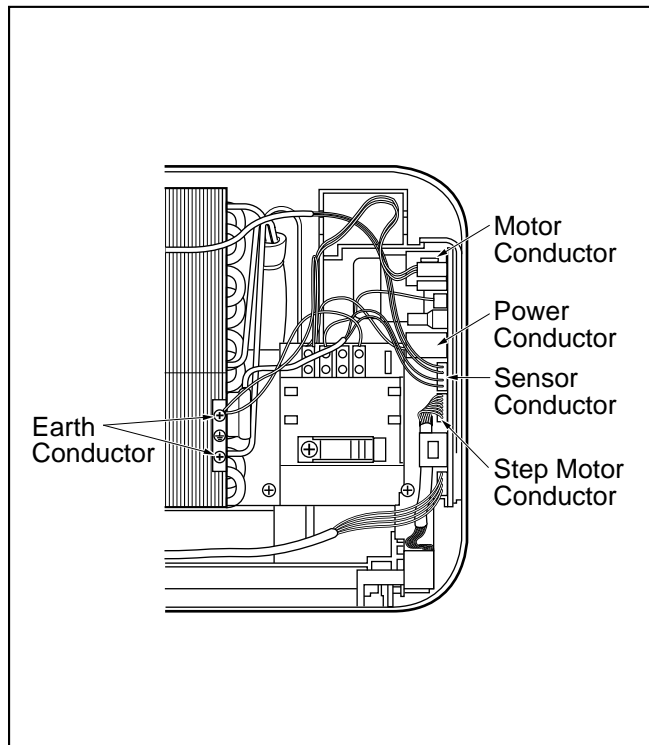
Be sure the power switch is set to "OFF".

## To remove the Grille from the Chassis.

- Set the up-and-down air discharge louver to open position (horizontally) by finger pressure.
- Remove the securing screws
- To remove the Grille, pull the lower left and right side of the grille toward you (slightly tilted) and lift it straight upward.

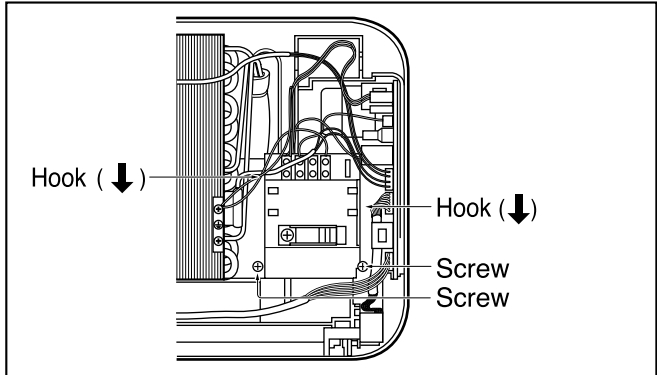


1. To remove the sensor, housing connect, earth conductor & step motor conductor with sensor holder, Motor, Evaporator & P.C.B.



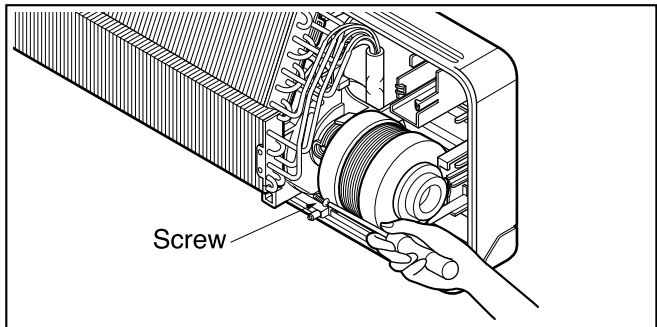
**2. To remove the Control Box.**

- Remove securing screws.
- Pull the control box out from the chassis carefully.



**3. To remove the Discharge Grille.**

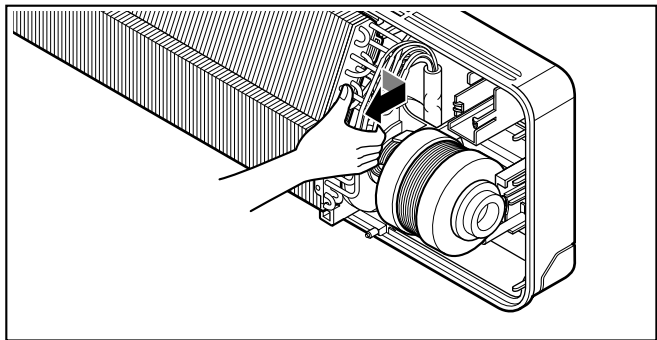
- Pull the discharge grille out from the chassis carefully.



**4. To remove the Evaporator.**

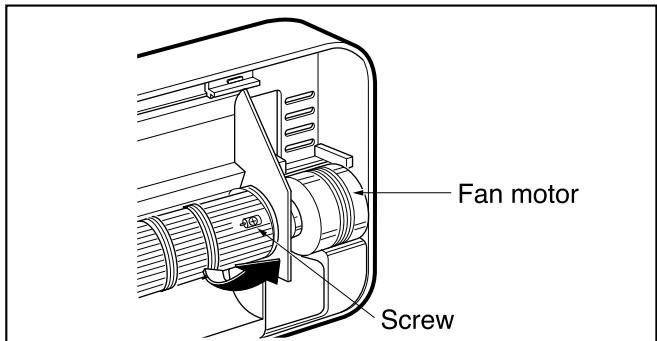
- Remove screws securing the evaporator and the holder eva.

- Unhook the tab on the right inside of the chassis at the same time, slightly pull the evaporator toward you until the tab is clear of the slot.

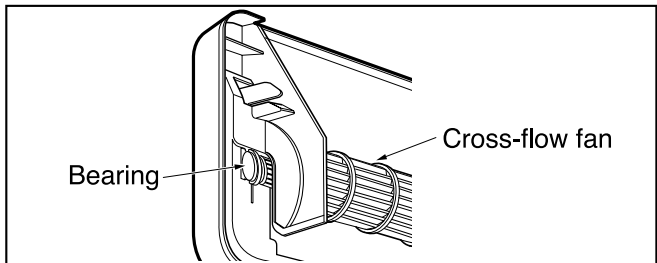


**5. To remove the Cross-Flow Fan**

- Loosen the screw securing the cross-flow fan to the fan motor (do not remove).
- Lift up the right side of the cross-flow fan and the fan motor, separate the fan motor from the cross-flow fan.



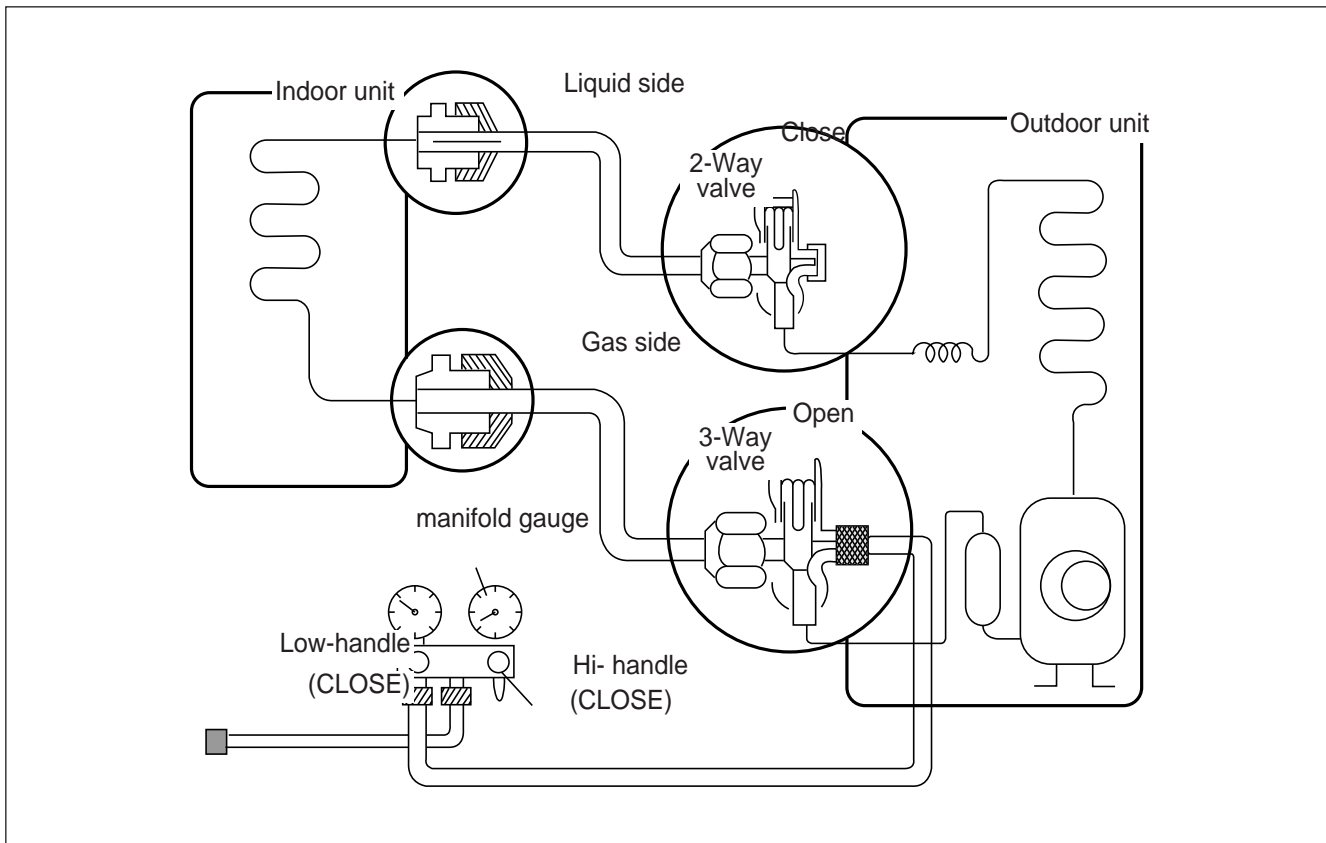
- Remove the left end of the cross-flow fan from the self-aligning bearing.



# 2-way, 3-way Valve

		2-way Valve (Liquid Side)	3-way Valve (Gas Side)	
Works		Shaft position	Shaft position	Service port
Shipping		Closed (with valve cap)	Closed (with valve cap)	Closed (with cap)
1.	Air purging (Installation)	Closed (clockwise)	Closed (clockwise)	Open (with vacuum pump)
Operation		Open (with valve cap)	Open (with valve cap)	Closed (with cap)
2.	Pumping down (Transferring)	Closed (clockwise)	Open (counter-clockwise)	Open (connected manifold gauge)
3.	Evacuation (Servicing)	Open	Open	Open (with charging cylinder)
4.	Gas charging (Servicing)	Open	Open	Open (with charging cylinder)
5.	Pressure check (Servicing)	Open	Open	Open (with charging cylinder)
6.	Gas releasing (Servicing)	Open	Open	Open (with charging cylinder)

## (1) Pumping down



### • Procedure

**1. Confirm that both the gas side and liquid side valves are set to the open position.**

- Remove the valve stem caps and confirm that the valve stems are in the raised position.
- Be sure to use a hexagonal wrench to operate the valve stems.

**2. Operate the unit for 10 to 15 minutes.**

**3. Stop operation and wait for 3 minutes, then connect the manifold gauge to the service port of the gas side valve.**

- Connect the hose of the gauge with the push pin to the service port.

**4. Air purging of the charge hose.**

- Open the Low-handle valve on the gauge slightly to air purge from the hose.

**5. Set the liquid side valve to the closed position.**

**6. Operate the air conditioner at the cooling cycle and stop it when the gauge indicates 1kg/cm<sup>2</sup>g.**

**7. Immediately set the gas side valve to the closed position.**

- Do this quickly so that the gauge ends up indicating 1kg/cm<sup>2</sup>g.

**8. Disconnect the charge set, and mount the liquid side and gas side valve caps and the service port nut.**

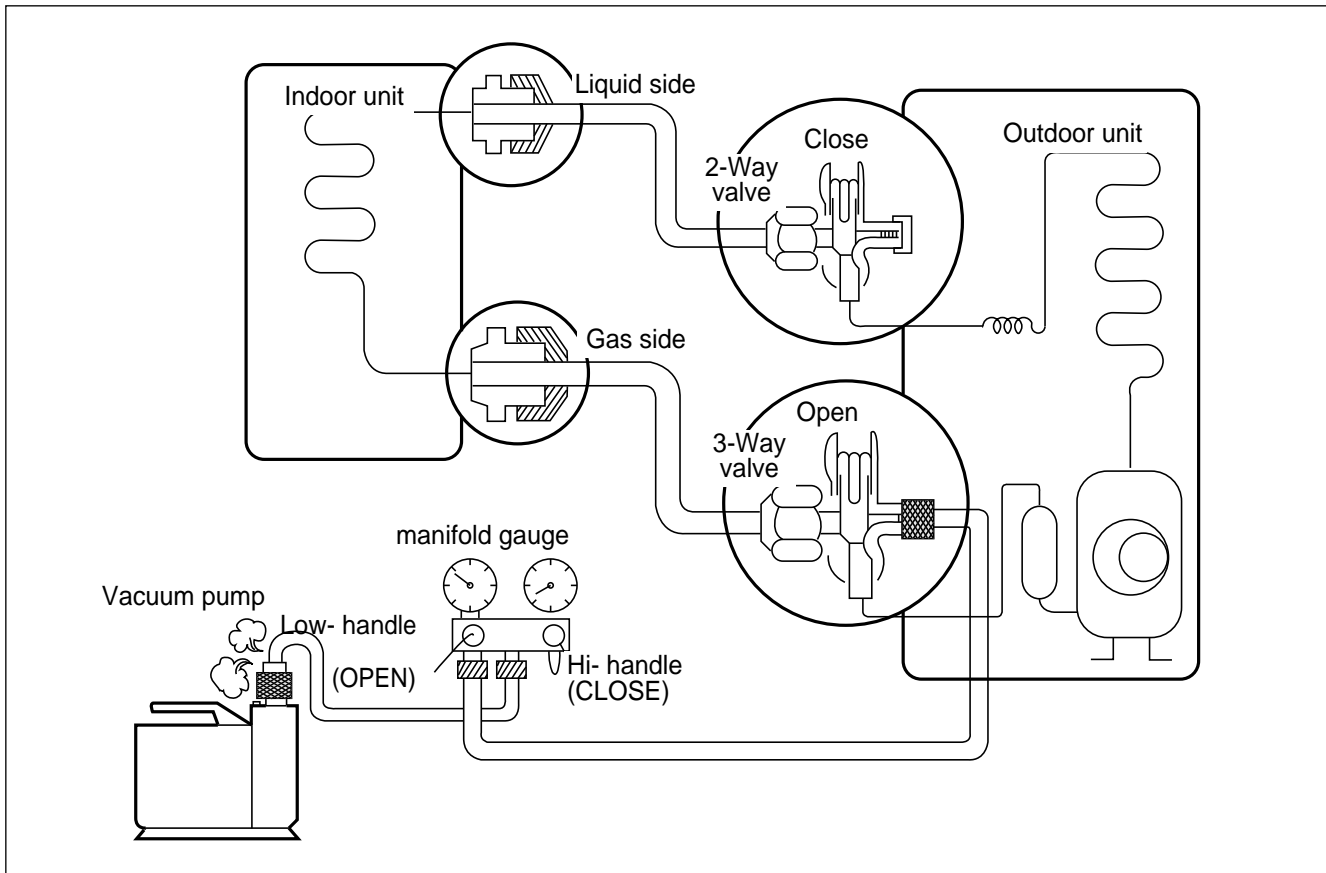
- Use torque wrench to tighten the service port nut to a torque of 1.8kg.m.(4.2kg.m/5.5kg.m)
- Be sure to check for gas leakage.

**9. Apply steps from 1 to 8 to each unit (A-unit, B-unit) by the same method.**



## (2) Evacuation

(All amount of refrigerant leaked)

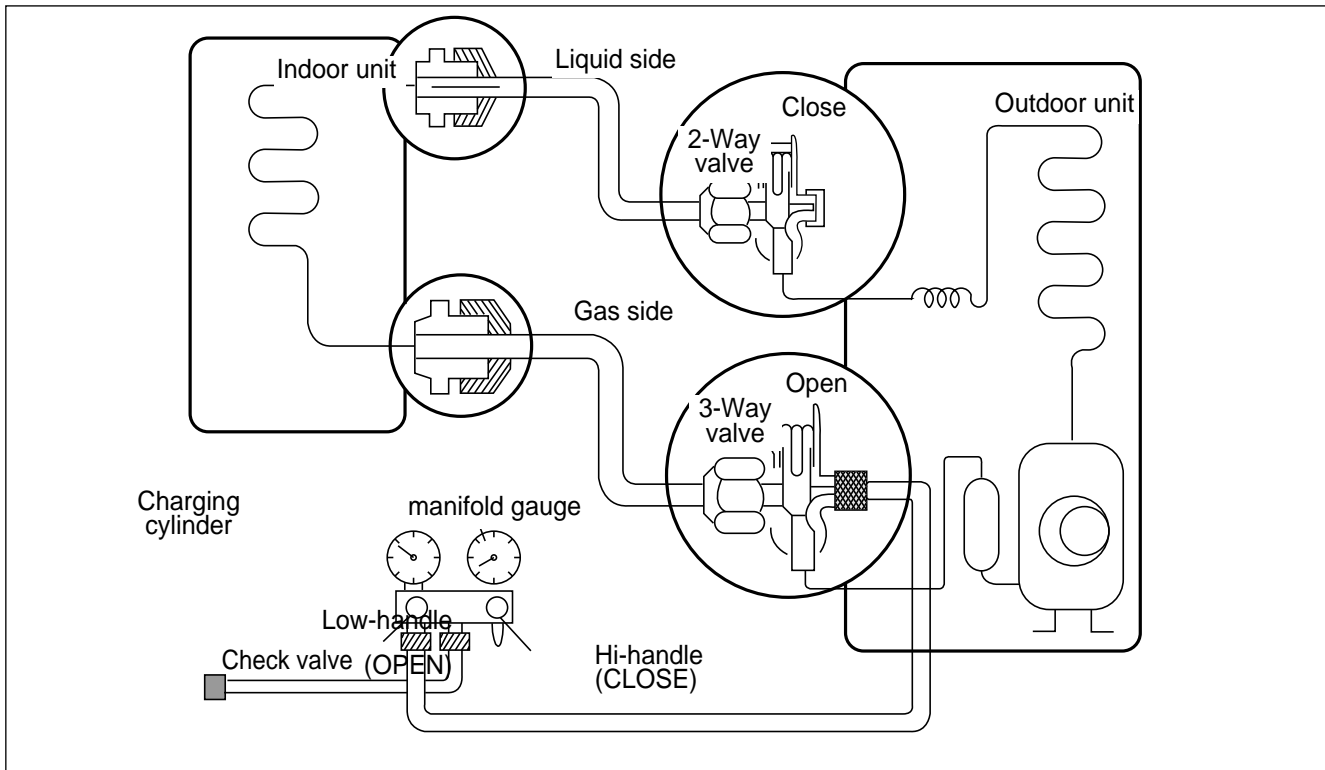


### • Procedure

1. Confirm that both the liquid side valve and gas side valve are set to the opened position.
2. Connect the vacuum pump to the center hose of the manifold gauge.
3. Connect the service port of the gas side valve to the low side of the gauge.
4. Evacuation for approximately one hour.
  - Confirm that the gauge needle has moved toward -76 cmHg (vacuum of 4 mmHg or less).
5. Close the Low handle of the gauge turn off the vacuum pump, and confirm that the gauge needle does not move (approximately 5 minutes after turning off the vacuum pump).
6. Disconnect the charge hose from the vacuum pump.
  - Vacuum pump oil.  
If the vacuum pump oil becomes dirty or depleted, replenish as needed.
7. Mount the valve caps and the service port caps.
8. Apply steps from 1 to 7 to each unit (A-unit, B-unit) by the same method.

## (3) Gas Charging

(After Evacuation)



### • Procedure

#### 1. Connect the gauge to the charging cylinder.

- Connect the charge hose which you disconnected from the vacuum pump to the valve at the bottom of the cylinder.
- If you are using a gas cylinder, also use a scale and reverse the cylinder so that the system can be charged with liquid.

#### 2. Purge the air from the charge hose.

- Open the valve at the bottom of the cylinder and press the check valve on the charge set to purge the air. (Be careful of the liquid refrigerant). The procedure is the same if using a gas cylinder.

#### 3. Open the low handle on the gauge and charge the system with liquid refrigerant.

- If the system can not be charged with the specified amount of refrigerant, it can be charged with a little at a time (approximately 150g each time) while operating the air conditioner in the cooling cycle; however, one time is not sufficient, wait approximately 1 minute and then repeat the procedure (pumping down-pin).

#### 4. Immediately disconnect the charge hose from the gas side valve's service port.

This is different from previous procedures.

Because you are charging with liquid refrigerant from the gas side, absolutely do not attempt to charge with larger amounts of liquid refrigerant while operating the air conditioner.

- Stopping partway will allow the gas to be discharged.

- If the system has been charged with liquid refrigerant while operating the air conditioner turn off the air conditioner before disconnecting the hose.

#### 5. Mount the valve stem nuts and the service port nut.

- Use torque wrench to tighten the service port nut to a torque of 1.8 kg.m.(4.2kg.m/5.5kg.m.)
- Be sure to check for gas leakage.

#### 6. Apply steps from 1 to 5 to each unit (A-unit, B-unit) by the same method.

### Caution

In heating operation mode, charge the gas after operating the cooling mode.

# Cycle Troubleshooting Guide

## Trouble analysis

1. Check temperature difference between intake and discharge air and operating current.

Temp. Difference	Temp. difference : approx. 0°C Current : less than 80% of rated current	All amount of refrigerant leaked out. Check refrigeration cycle.
	Temp. difference : approx. 8°C Current : less than 80% of rated current	Refrigerant leakage Clog of refrigeration cycle Defective compressor
Operating Current	Temp. difference : less than 8°C Current : over the rated current	Excessive amount of refrigerant
	Temp. difference : over 8°C	Normal

### Notice:

Temperature difference between intake and discharge air depends on room air humidity. When the room air humidity is relatively higher, temperature difference is smaller. When the room air humidity is relatively lower temperature difference is larger.

2. Check temperature and pressure of refrigeration cycle.

Suction pressure (Compared with the normal value)	Temperature (Compared with the normal value)	Cause of Trouble	Description
Higher	High	Defective compressor Defective 4-way reverse valve	Current is low.
	Normal	Excessive amount of refrigerant	High pressure does not quickly rise at the beginning of operation.
Lower	Higher	Insufficient amount of refrigerant(Leakage)	Current is low.
		Clogging	Current is low.

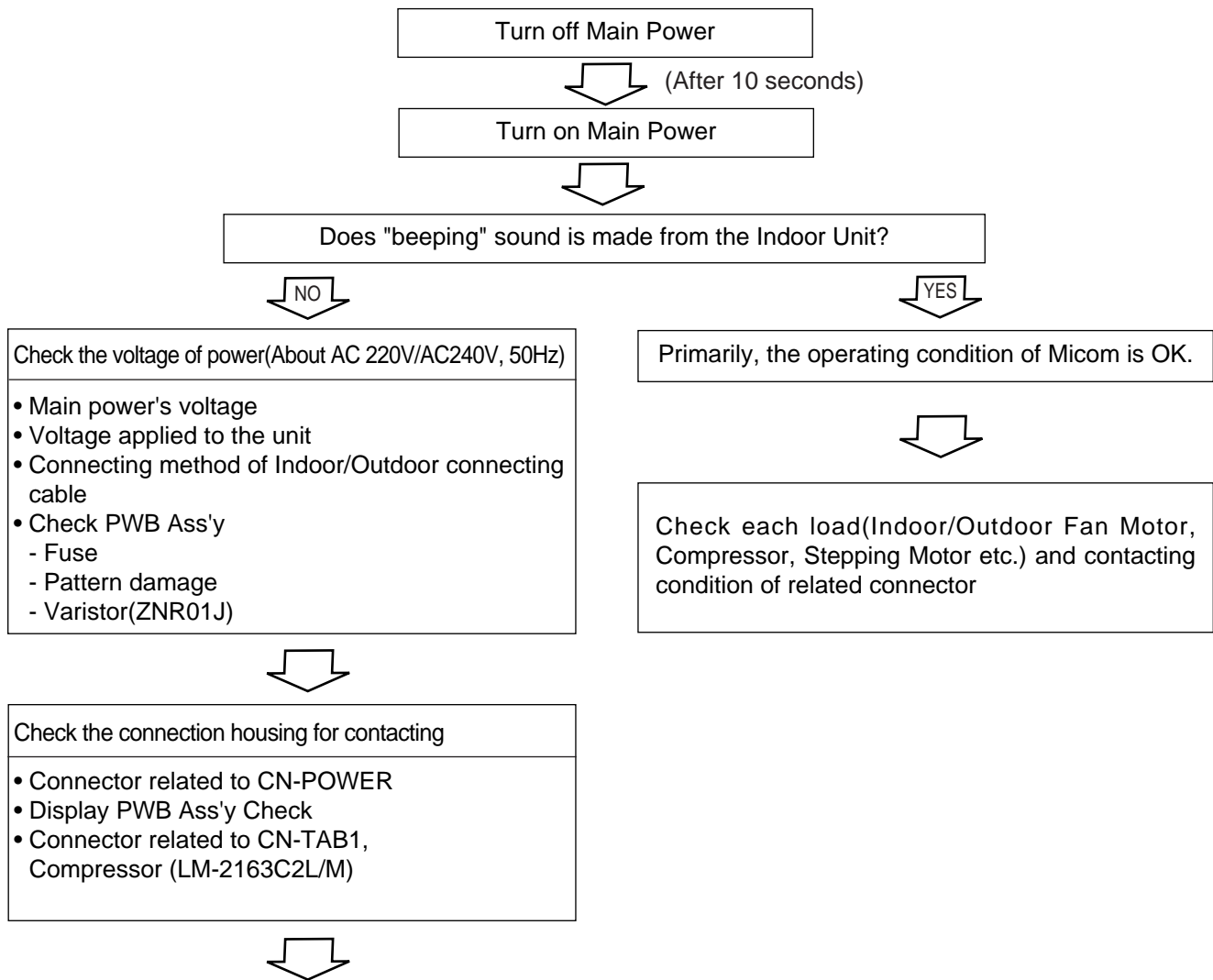
### Notice:

1. The suction pressure is usually 4.5~6.0 kg/cm<sup>2</sup>G at normal condition.
2. The temperature can be measured by attaching the thermometer to the low pressure tubing and wrap it with putty.

# Electronic Parts Troubleshooting Guide

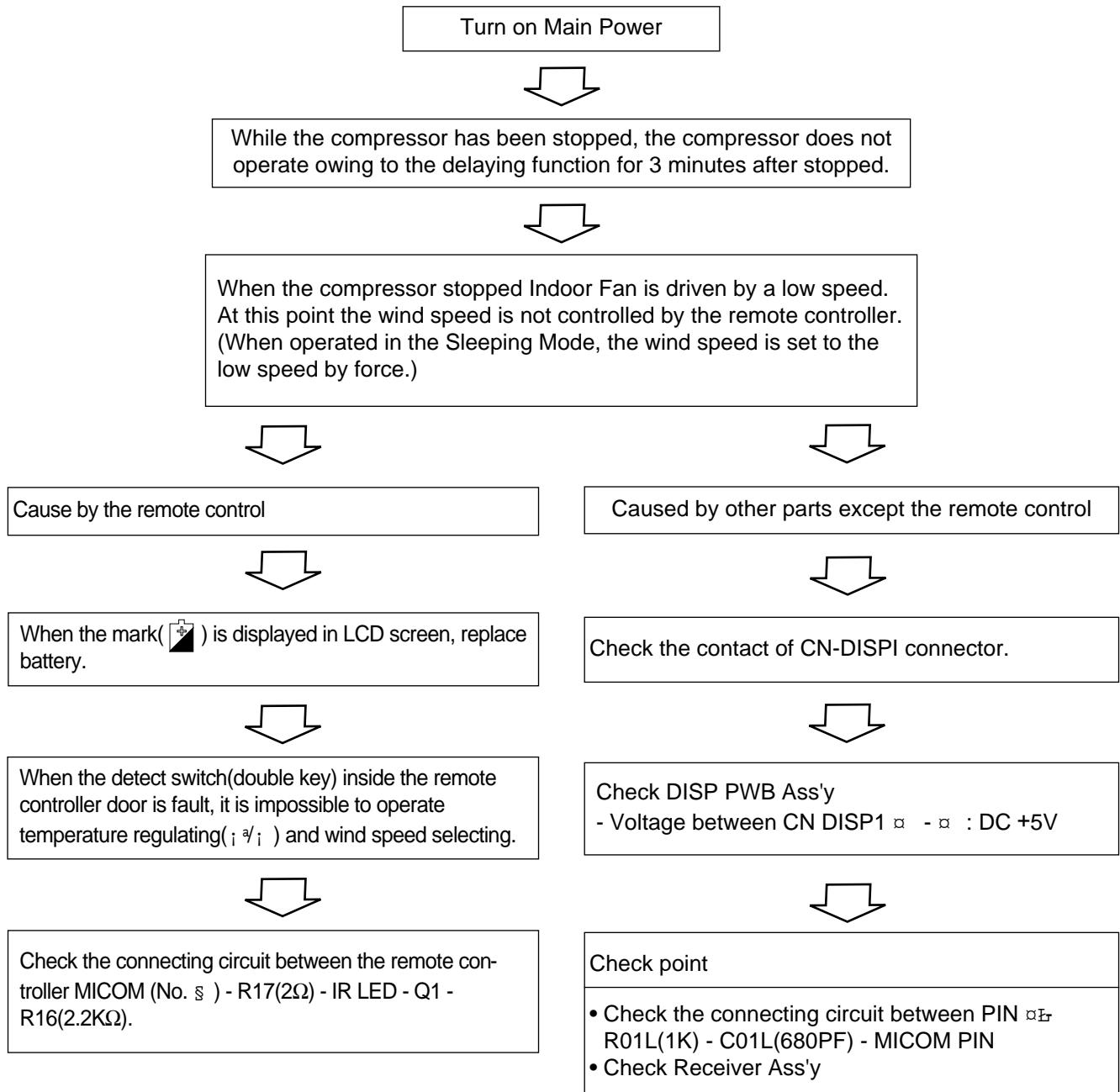
## 1. Product does not operate at all.

(\* Refer to Electronic Control Device drawing and Schematic diagram.)

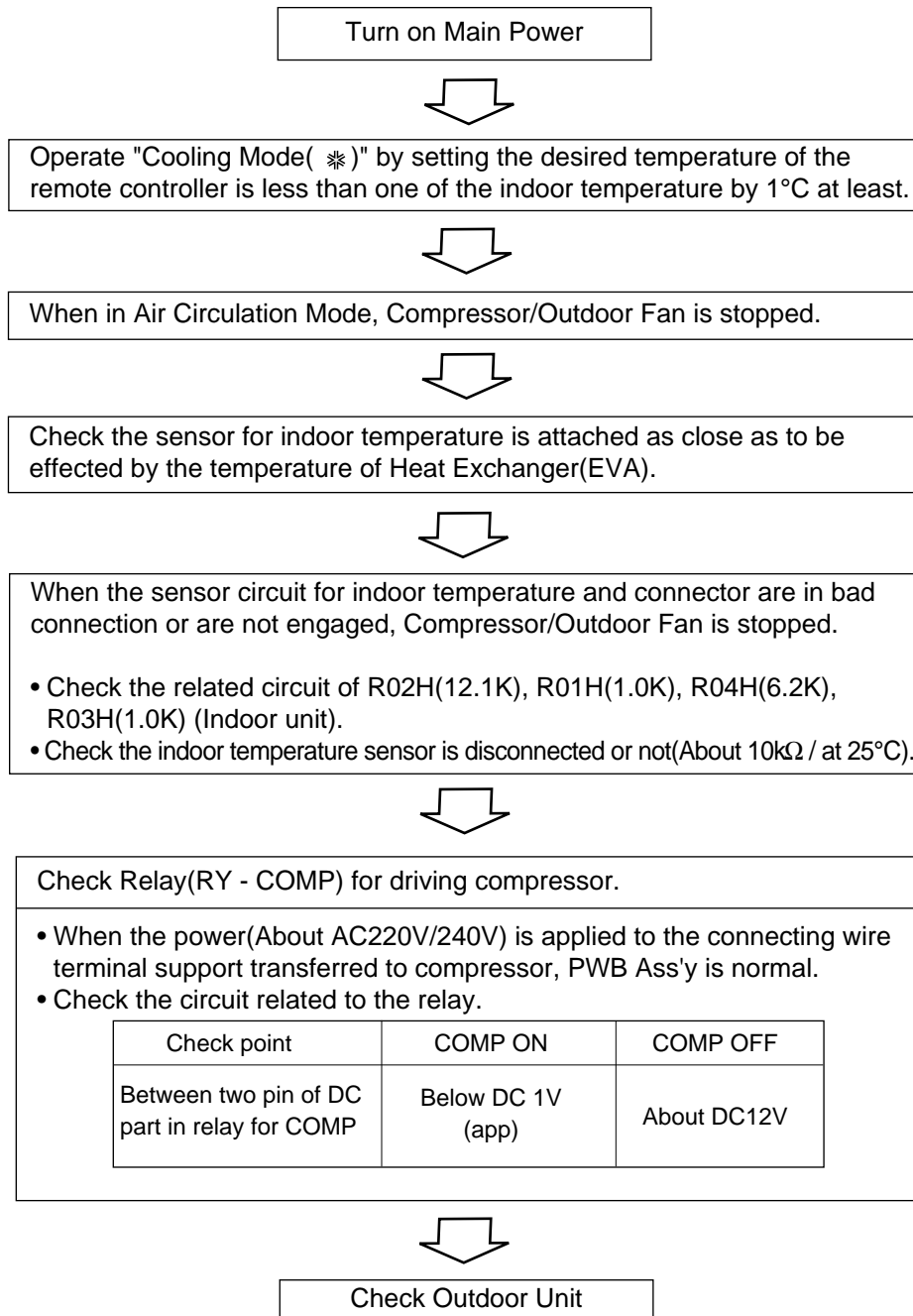


PCB Board Operation Check		
Items	Content	Remedy
<ul style="list-style-type: none"> <li>• Power Transformer (Outdoor unit)               <ul style="list-style-type: none"> <li>- Input Voltage</li> <li>- Output Voltage</li> </ul> </li> <li>&lt;X&gt;</li> <li>• IC01D(7812) Output (Indoor/Outdoor unit)               <ul style="list-style-type: none"> <li>&lt;X&gt;</li> </ul> </li> <li>• IC02D(7805) Output (Indoor/Outdoor unit)               <ul style="list-style-type: none"> <li>&lt;X&gt;</li> </ul> </li> <li>• IC01A(KIA7036, Reset IC) X01(8MHz)</li> </ul>	<ul style="list-style-type: none"> <li>- About AC220V/240V±10% - Check the power voltage</li> <li>- About AC14±3V</li> <li>• DC +12V</li> <li>• DC +5V</li> <li>• Voltage of Micom No. 2, (DC +4.5V over) and Soldering condition.</li> </ul>	<ul style="list-style-type: none"> <li>• Replace Trans</li> <li>• Replace IC01D</li> <li>• Replace IC02D</li> <li>• Replace faulty parts</li> </ul>

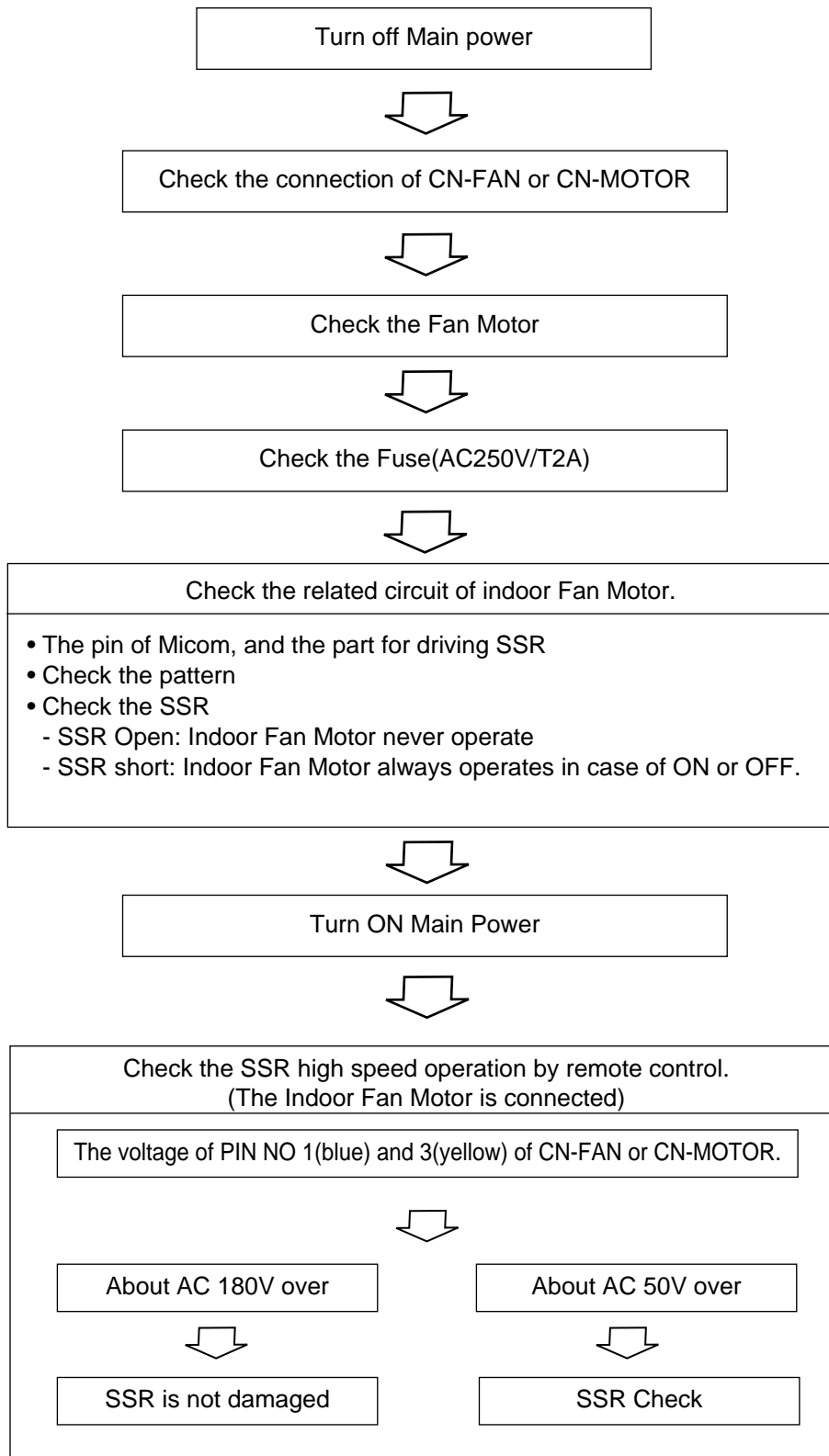
## 2. The product is not operate with the remote control.



### 3. When cooling does not operate



## 4. When indoor Fan does not operate.



## 5. When Vertical Louver does not operate.

- Confirm that the Vertical Louver is normally geared with the shaft of Stepping Motor.
- If the regular torque is detected when rotating the Vertical Louver with hands ⇄ ; Normal



- Check the connecting condition of CN-U/D Connector
- Check the soldering condition(on PWB) of CN-U/D Connector



Check the operating circuit of the Vertical Louver

- Confirm that there is DC +12V between pin ♂ (RED) of CN-U/D and GND.



If there are no problems after above checks

- Confirm the assembly conditions that are catching and interfering parts in the rotation radial of the Vertical Louver



## 6. When Heating does not operate

Turn ON Main Power



Operate "Heating Mode(☀)" by setting the desired temperature of the remote control is higher than one of the indoor temperature by 2°C at least.



In heating Mode, the indoor fan operates in case the pipe temperature is higher than 28°C.



Check the connector of intake and pipe sensor(thermistors)

- Check the related circuit of R02H(12.1K), R01H(1.0K), R04H(6.2K), R03H(1.0K).
- Check the indoor room temperature is disconnected or not (about 10KΩ/at 25°C).
- Check the indoor pipe temperature is disconnected or not (about 5KΩ/at 25°C).



Check the DC voltage on the PWB ASS'Y

- The details of check are as followings

- Comp Relay.

Check point	Comp ON	Comp OFF
Between two pin of DC part in relay for COMP.	Below DC 1V	About DC 12V

- 4-Way Relay

Check point	4-Way ON	4-Way OFF
Between two pin of DC part in relay for 4-way.	Below DC 1V	About DC 12V



Check Outdoor Unit

## 7. Outdoor unit does not operate at all.

Check Outdoor Unit



PCB Board Operation Check in Outdoor		
Items	Content	Remedy
<ul style="list-style-type: none"> <li>• Power Transformer (Outdoor unit)</li> <li>- Input Voltage</li> <li>- Output Voltage</li> <li style="padding-left: 20px;">&lt; X</li> <li>• IC01D(7812) Output (Indoor/Outdoor unit)</li> <li style="padding-left: 20px;">&lt; X</li> <li>• IC02D(7805) Output (Indoor/Outdoor unit)</li> <li style="padding-left: 20px;">&lt; X</li> <li>• IC01A(KIA7036, Reset IC) X01(8MHz)</li> </ul>	<ul style="list-style-type: none"> <li>- About AC220V/240V±10% - Check the power voltage</li> <li>- About AC14±3V</li> <li>• DC +12V</li> <li>• DC +5V</li> </ul>	<ul style="list-style-type: none"> <li>• Replace Trans</li> <li>• Replace IC01D</li> <li>• Replace IC02D</li> <li>• Replace faulty parts</li> </ul>



Turn off Main Power



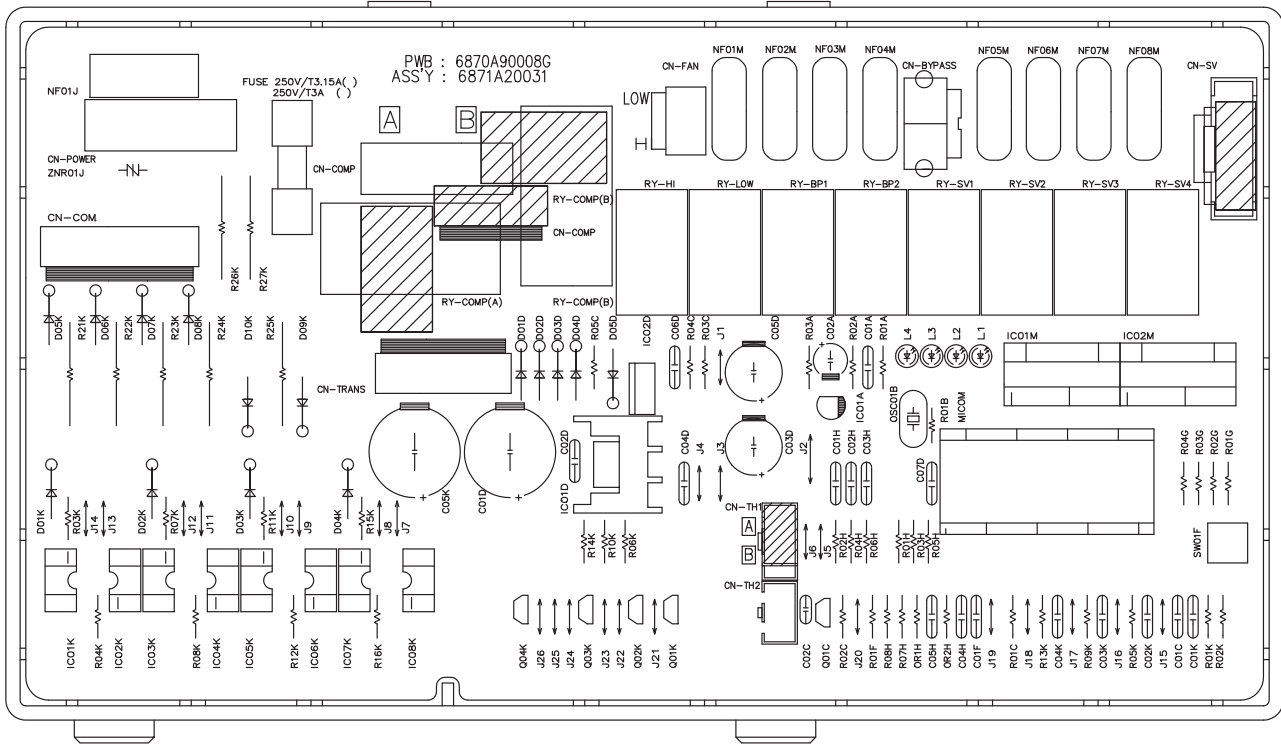
- Check the electrical wiring diagram of outdoor side.
- Check the abnormal condition for the component of Compressor/Outdoor Fan Motor/4-way.
- Check the “open” or “short” of connecting wires between indoor and outdoor.

## 8. Communication error

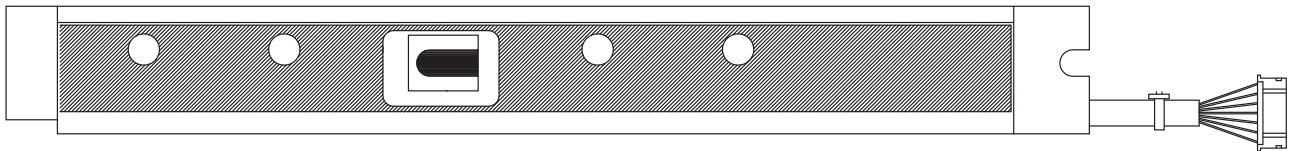
- The control data can be transmitted or received between indoor and outdoor unit with one signal cable.
- If the data be disturbed by any noise level, the unit will be operated incorrectly. In this case, the indoor unit blinks the operation and operation LED on display and indoor fan, outdoor fan, COMP are not operated.
- The unit can be reoperated by On/Off control of Remocon.



## 2. Outdoor MAIN P.C.B ASM(LM-3061H2L/M)



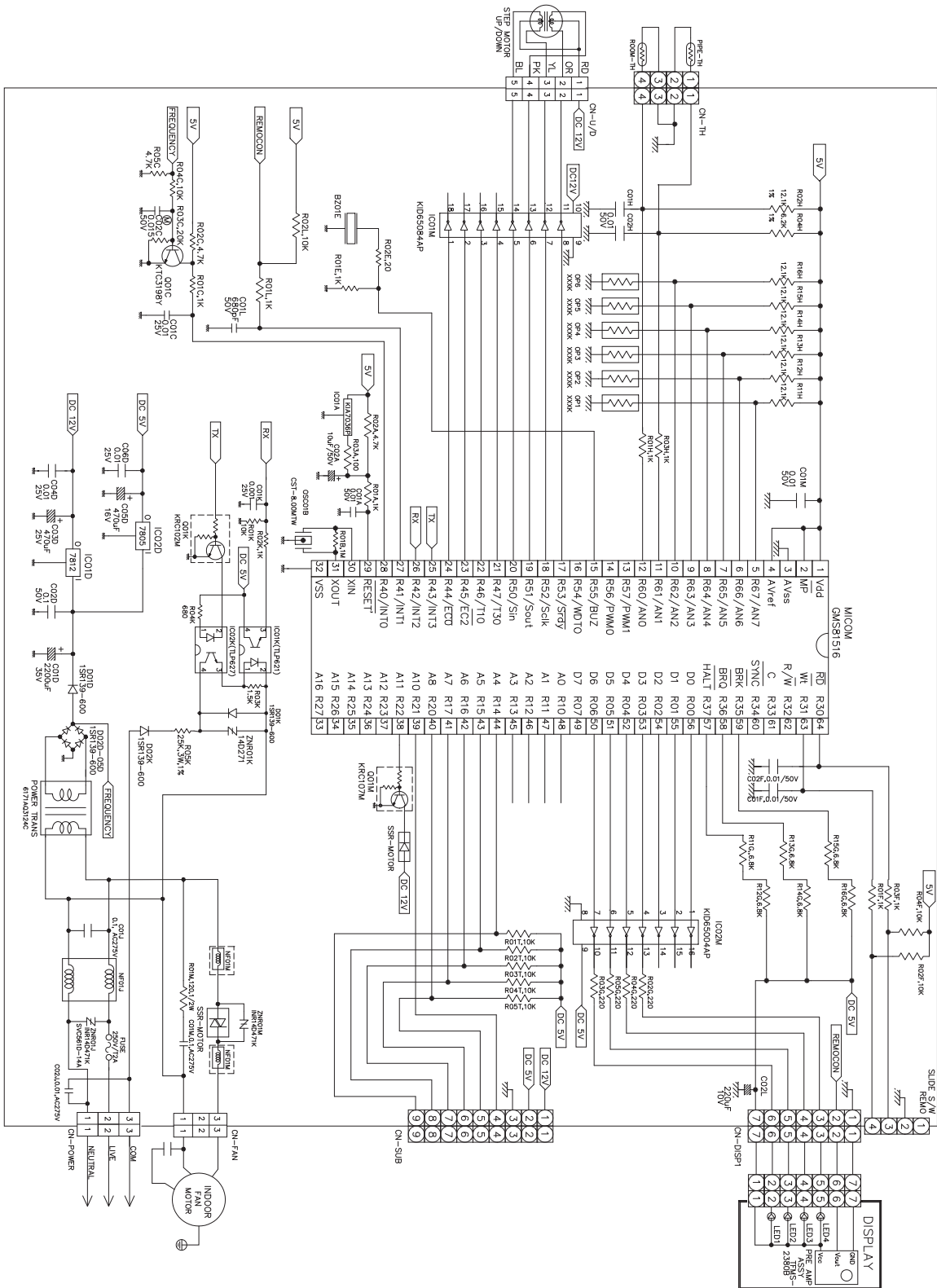
## 3. DISPLAY P.C.B ASM



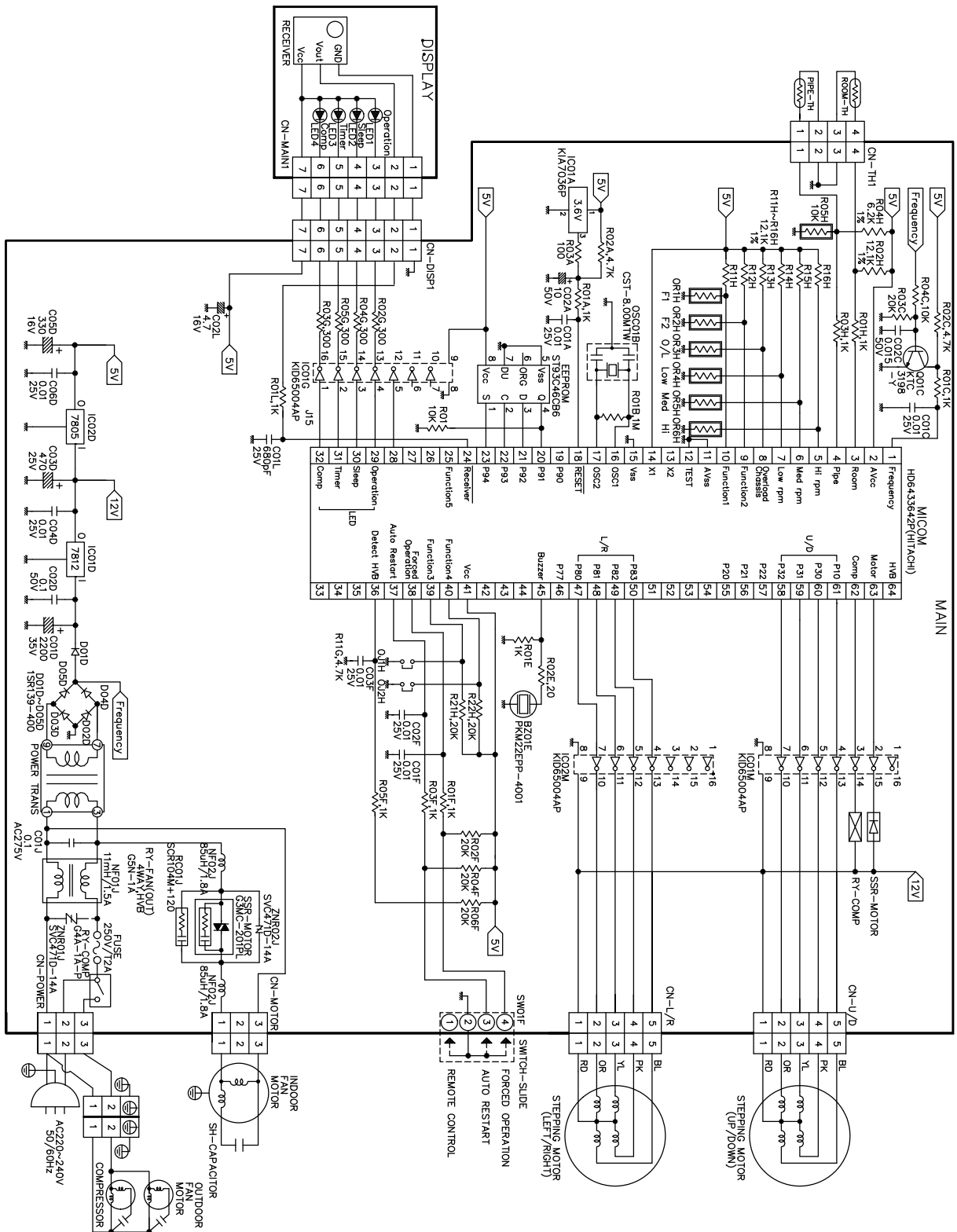
# Schematic Diagram

## 1. Indoor

• LM-3061H2L/M

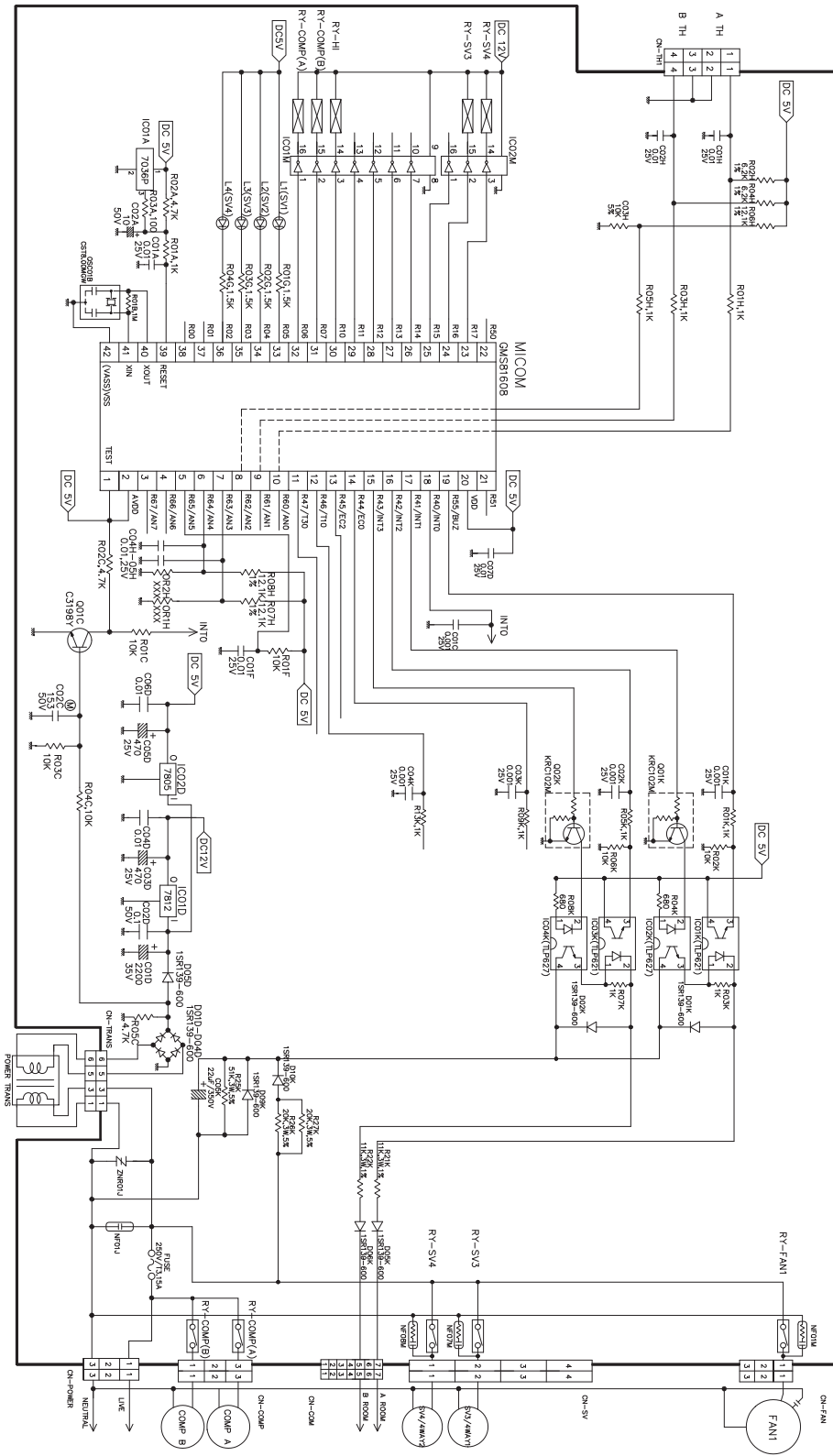


• LM-3061C2L/M



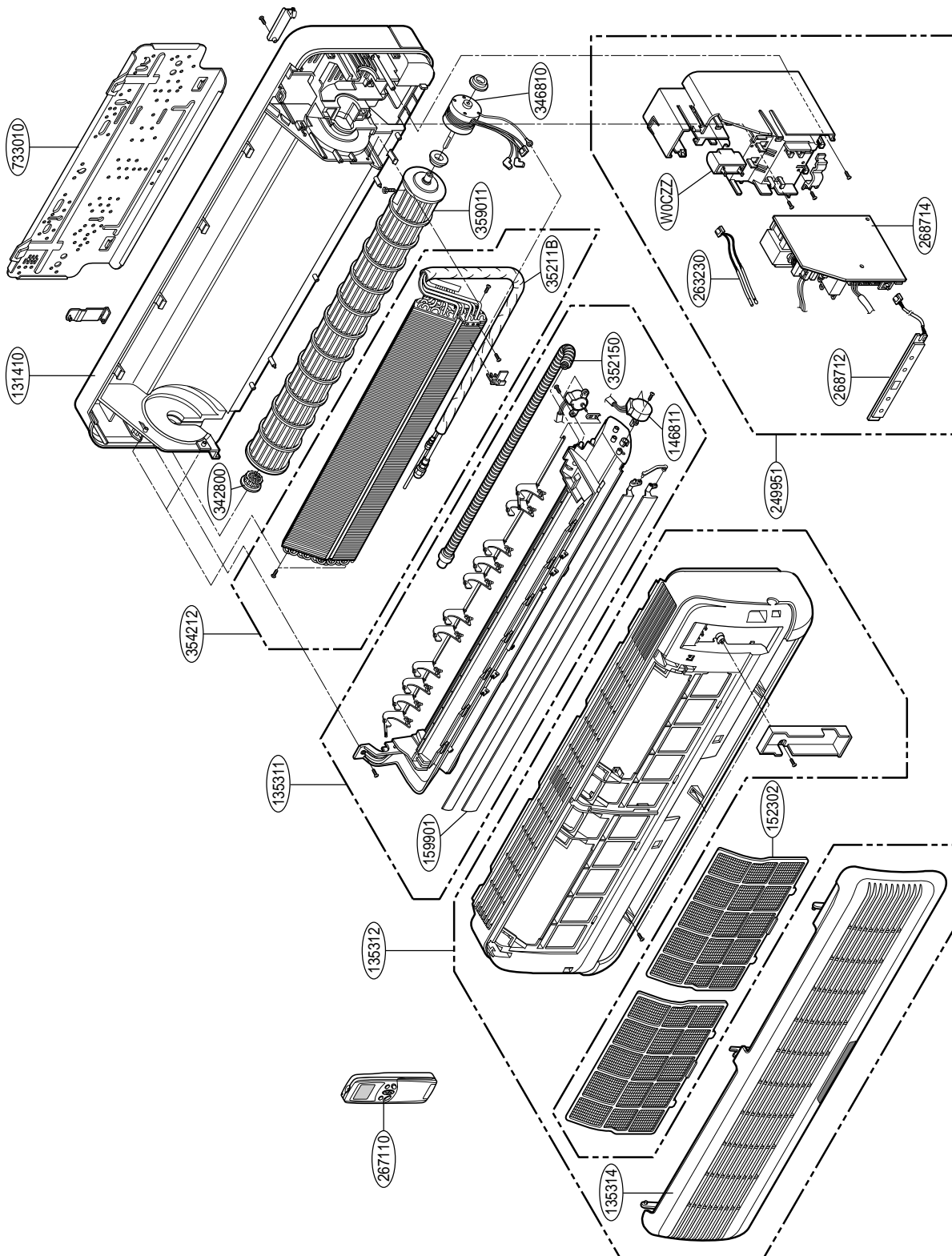
# 2. Outdoor

- LM-3061H2L/M



# Exploded View and Replacement Parts List

## 1. Indoor Unit (18k)

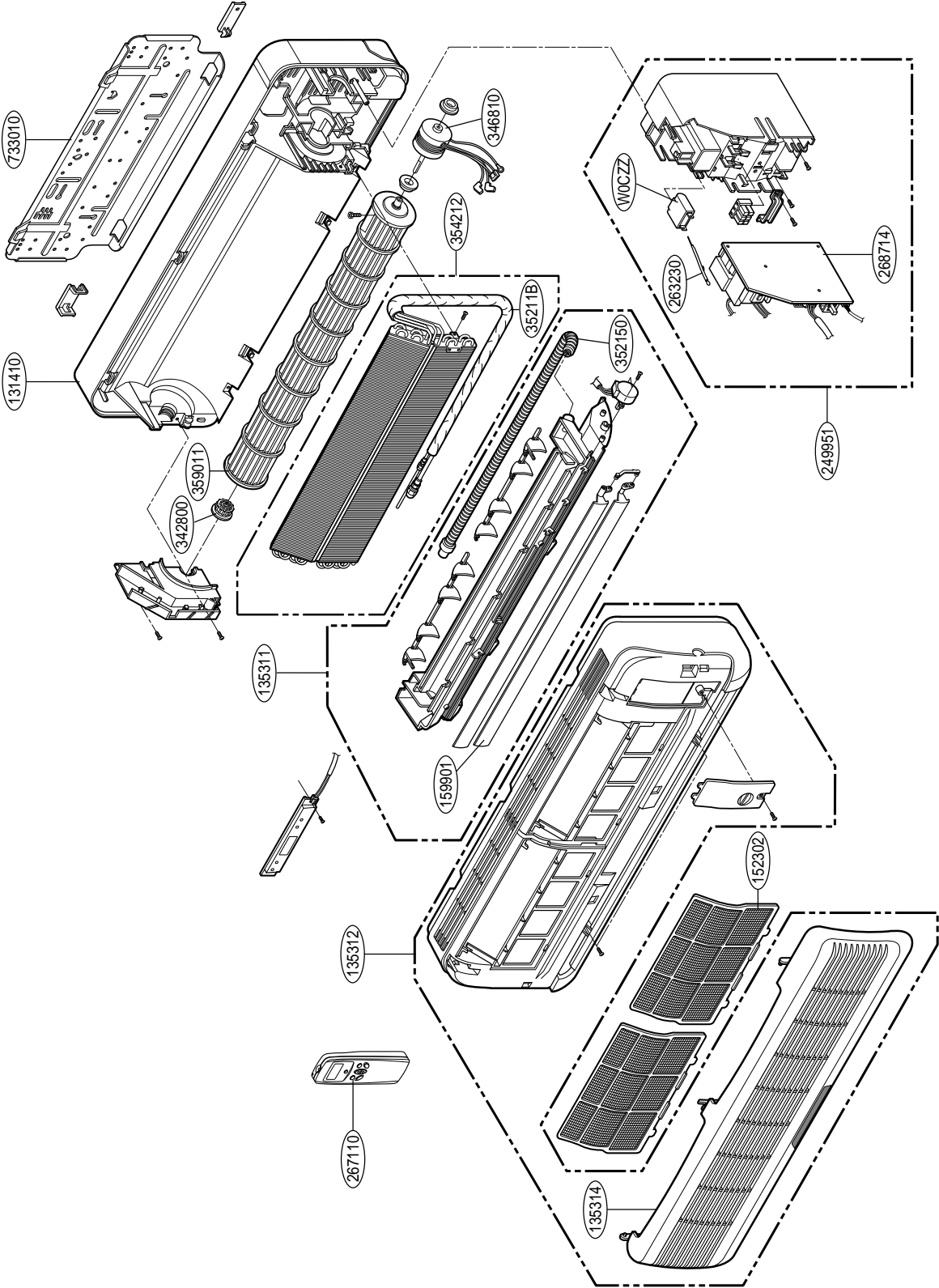




## Service Parts List

LOCATION NO.	PART NO.		DESCRIPTION	REMARKS
	LM-3061H2L(18K)	LM-3061C2L(18K)		
131410	3141A20002H		CHASSIS ASSY	R
135311	3531A10008H		GRILLE ASSY, DISCHARGE(INDOOR)	R
135312	3531A10033E		GRILLE ASSY, FRONT(INDOOR)	R
135314	3531A20011M		GRILLE ASSY, INLET SUB	R
146811	4681AR2727H		MOTOR ASSY, STEP	R
152302	5230A20001A		FILTER(MECH), A/C	R
159901	5990A30001B		VANE, HORIZONTAL	R
159901	5990A30002B		VANE, HORIZONTAL	R
249951	4995A20091G	4995A20091J	CONTROL BOX ASSY, INDOOR	R
263230	6323AQ2333A		THERMISTOR ASSY	R
267110	6711A20028B	6711A20010A	REMOTE CONTROLLER ASSY	R
268712	6871A30009D		PWB(PCB) ASSY, DISPLAY	R
268714	6871A20109A	6871A10001D	PWB(PCB) ASSY, MAIN	R
342800	3H02821A		BEARING	R
346810	4681A20003D		MOTOR ASSY, INDOOR	R
35211B	5211A30038E	5211A30038B	TUBE ASSY, TUBING	R
352150	5251AR2575A		HOSE ASSY, DRAIN	R
354212	5421A20011B	5421A20021B	EVAPORATOR ASSY, FINAL	R
359011	5901AR2441E	5901AR2441D	FAN ASSY, CROSS FLOW	R
733010	1H00843A		PLATE ASSY, INSTALL	R
W0CZZ	3H01487G		CAPACITOR	R

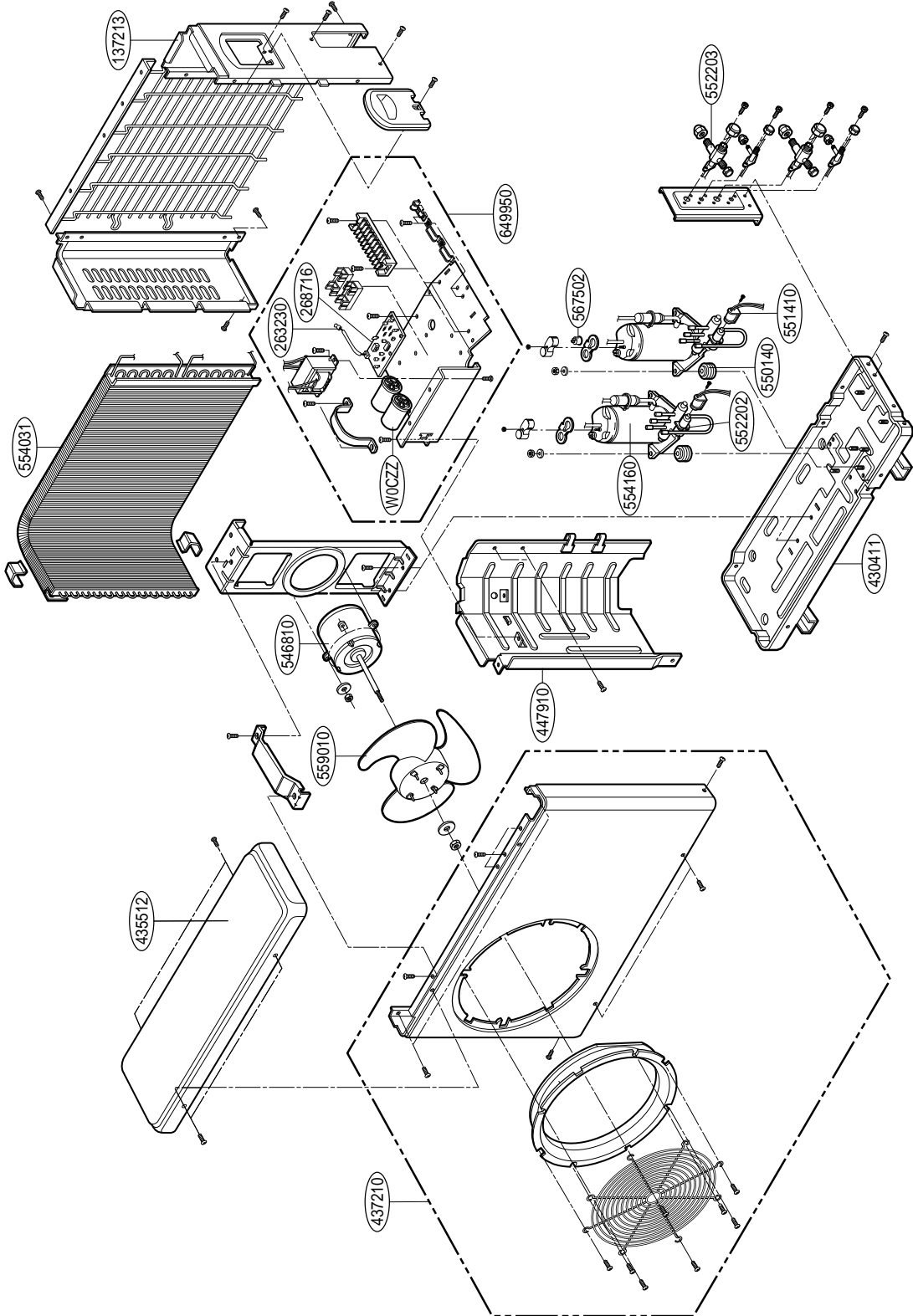
# 2. Indoor Unit (12k)



## Service Parts List

LOCATION NO.	PART NO.		DESCRIPTION	REMARKS
	LM-3061H2L(12K)	LM-3061C2L(12K)		
131410	3141A20003B		CHASSIS ASSY	R
135311	3531A10023A		GRILLE ASSY, DISCHARGE(INDOOR)	R
135312	3531A10024M		GRILLE ASSY, FRONT(INDOOR)	R
135314	3531A20028F		GRILLE ASSY, INLET SUB	R
146811	4681AR2727H		MOTOR ASSY, STEP	R
152302	5230A20004A		FILTER(MECH), A/C	R
159901	5990A30006B		VANE, HORIZONTAL	R
159901	5990A30007B		VANE, HORIZONTAL	R
249951	4995A20082U	4995A20094E	CONTROL BOX ASSY, INDOOR	R
263230	6323AQ2333A		THERMISTOR ASSY	R
267110	6711A20028B	6711A20010A	REMOTE CONTROLLER ASSY	R
268712	6871A30009E		PWB(PCB) ASSY, DISPLAY	R
268714	6871A20075Z	6871A20055S	PWB(PCB) ASSY, MAIN	R
342800	3H02821B		BEARING	R
346810	4681A20003P		MOTOR ASSY, INDOOR	R
35211B	2H02449J		TUBE ASSY, TUBING	R
352150	5251AR2575A		HOSE ASSY, DRAIN	R
354212	5421A20031G		EVAPORATOR ASSY, FINAL	R
359011	5901AR6141B		FAN ASSY, CROSS FLOW	R
733010	1H00843A		PLATE ASSY, INSTALL	R
W0CZZ	3H01487A		CAPACITOR	R

# 3. Outdoor Unit



## Service Parts List

LOCATION NO.	PART NO.		DESCRIPTION	REMARKS
	LM-3061H2L	LM-3061C2L		
137213	1A00204E		PANEL ASSY, SIDE	R
263230	6323AQ2333P	-	THERMISTOR ASSY	R
268716	6871A20031V	-	PWB(PCB) ASSY, MAIN(OUTDOOR)	R
430410	3041AP2741Z		BASE ASSY, OUTDOOR	R
435511	3551A30028P	3551A30028L	COVER ASSY, CONTROL(OUTDOOR)	R
435512	3H03266H		COVER ASSY, TOP(OUTDOOR)	R
437210	1A00197C		PANEL ASSY, FRONT SUB	R
447910	4791A30004B		BARRIER ASSY, OUTDOOR	R
546810	4681A20008N		MOTOR ASSY, OUTDOOR	R
550140	4022U-L005A		GROMMET(A-UNIT)	R
550140	4984AR4361A		ISOLATOR, COMP(B-UNIT)	R
552111	5211A20221A	5211A30360A	TUBE ASSY, CAPILLARY(B-UNIT)	R
552111	5211A20222A	5211A30361A	TUBE ASSY, CAPILLARY(A-UNIT)	R
552116	5211A20211A	-	TUBE ASSY, REVERSING(B-UNIT)	R
552116	5211A20213A	-	TUBE ASSY, REVERSING(A-UNIT)	R
552202	3A02027A	-	VALVE, REVERSING	R
552203	2H01890D		VALVE, SERVICE	R
552203	2H01890Q	-	VALVE, SERVICE(B-UNIT)	R
552203	2H02479B	2H02479D	VALVE, SERVICE	R
554031	6140AP2096V	6140AP2096J	CONDENSER ASSY, BENT	R
554160	2520UKVP2CA		COMPRESSOR SET(B-UNIT)	R
554160	5416AR1581C		COMPRESSOR(A-UNIT)	R
559010	1A00195B		FAN ASSY, PROPELLER	R
561410	6141AR3509A		COIL ASSY, REVERSING VALVE(A-UNIT)	R
561410	6141AR3509B		COIL ASSY, REVERSING VALVE(B-UNIT)	R
567502	6750U-L040A		O.L.P(B-UNIT)	R
649950	4781AP2746M	4781AP2746N	CONTROL BOX ASSY, OUTDOOR	R
W0CZZ	3A00988B		CAPACITOR	R
W0CZZ	6120AR2194F		CAPACITOR	R

# Memo

---

A series of horizontal dotted lines for writing.

