



Multi Type Room Air Conditioner

SERVICE MANUAL

MODEL: LM-1460C2L/M
LM-1460H2L/M
LM-1560C2L/M
LM-1723C2L/M
LM-1963C2L/M
LM-1963H2L/M
LM-2163C2L/M
LM-2163H2L/M
LM-2063H3L/M
LM-2064C3L/M
LM-3063C3L/M
LM-3063H3L/M

Contents

Functions	3
Product Specifications	5
Dimensions	17
Refrigeration Cycle Diagram	21
Wiring Diagram	25
Operation Details	28
Display Function	35
Self-Diagnosis Function	35
Installation	36
Operation	50
Disassembly of the parts (Indoor Unit)	52
2-way, 3-way Valve	54
Cycle Troubleshooting Guide	58
Electronic Parts Troubleshooting Guide	59
Electronic Control Device	66
Schematic Diagram	69
Exploded View & Replacement Parts List	73

Functions

Indoor Unit

Operation ON/OFF by Remote controller

Sensing the Room Temperature

- Room temperature sensor. (THERMISTOR)

Room temperature control

- Maintains the room temperature in accordance with the Setting Temp.

Starting Current Control

- Indoor fan is delayed for 5 seconds at the starting.

Time Delay Safety Control

- Restarting is inhibited for approx. 3 minutes.

Indoor Fan Speed Control

- High, Med, Low, Chaos

Operation indication Lamps (LED)

- ① --- Lights up in operation
- ☆ --- Lights up in Sleep Mode
- ⌚ --- Lights up in Timer Mode
- ✱ --- Lights up in Deice Mode(for Heat pump model)
- OUT DOOR --- Lights up in Compressor operation(for Cooling model)

Health Dehumidification Operation

- Intermittent operation of fan at low speed.

Sleep Mode Auto Control

- The fan is switched to low(Cooling), med(Heating) speed.
- The unit will be stopped after 1, 2, 3, 4, 5, 6, 7 hours.

Natural Air Control by CHAOS Logic

- The fan is switched to intermittent or irregular operation
- The fan speed is automatically switched from high to low speed.

Airflow Direction Control

- The louver can be set at the desired position or swing up and down automatically.

Deice (defrost) control (Heating)

- Both the indoor and outdoor fan stops during deicing.
- Hot start after deice ends.

Hot-start Control (Heating)

- The indoor fan stops until the evaporator piping temperature will be reached at 28°C.

Remote Controller

Operation ON/OFF



Operation Mode Selection



(Cooling model only)



(Heating model only)

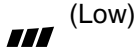
Cooling Operation Mode.(*)

Auto Operation Mode.(▲)

Healthy Dehumidification Operation Mode.(◊)

Heating Operation Mode.(☼)

Fan Speed Selection



(Low)



(Med)



(High)



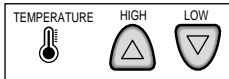
(CHAOS)

Room, Temperature Display



: (High: 39°C ← → LOW : 11°C)

Temperature Setting



Cooling — Down to 18°C
Up to 30°C

Heating — Down to 16°C
Up to 30°C

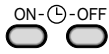
JET COOL



Setting the Time or Timer



Timer Selection



: OFF, ON, OFF ← → ON

Timer Setting



Timer Cancel



: Cancel Sleep Mode, Timer ON or Timer OFF

Sleep Operation



: 1, 2, 3, 4, 5, 6, 7, Off Timer

Airflow Direction Control



Fan Operation Mode



: Fan Operates without cooling or heating.

Reset

● RESET

Product Specifications

1. LM-1460C2L/M

Item	Operation Unit	A-Unit + B-Unit		A-Unit Only	B-Unit Only
		Cooling Capacity	Btu/h(kcal/h)	15,000(3,780)	
Moisture Removal	ℓ/h	2.4		1.2	1.2
Power Source	ø, V, Hz	1Ø, 220-240V, 50Hz			
Air Circulation	m ³ /min	Indoor		7.0	7.0
		Outdoor	42		
Noise Level	dB(A)	Indoor		37+1	37+1
		Outdoor	54+1		
Input	W	1,450		1,350	1,350
Runnig Current	A	6.7		6.1	6.1
E.E.R.	Btu/h·w	10.3		8.1	8.1
Motor Output	W	Indoor		7.5	7.5
		Outdoor	27		
Dimensions(W x H x D)	mm	Indoor	802 x 262 x 165		
		Outdoor	810 x 555 x 262		
Net. Weight	kg	Indoor	7		
		Outdoor	46		
Refrigerant(R-22)(at 7.5m)	g	1,510			
Airflow Direction Control(Up & Down)		O			
Remocon Type		L.C.D Wireless			
Service Valve	Liquid	1/4"(6.35)			
	Gas		3/8"(9.52)	3/8"(9.52)	
Sleeping Operation		O			
Drain Hose		O			

2. LM-1560C2L/M

Item	Operation Unit	A-Unit + B-Unit		A-Unit Only	B-Unit Only
		Cooling Capacity	Btu/h(kcal/h)	15,000(3,780)	
Moisture Removal	ℓ/h	2.4		1.2	1.2
Power Source	ø, V, Hz	1Ø, 220-240V, 50Hz			
Air Circulation	m ³ /min	Indoor		7.0	7.0
		Outdoor	42		
Noise Level	dB(A)	Indoor		37+1	37+1
		Outdoor	54+1		
Input	W	1,450		1,350	1,350
Runnig Current	A	6.7		6.1	6.1
E.E.R.	Btu/h·w	10.3		8.1	8.1
Motor Output	W	Indoor		7.5	7.5
		Outdoor	27		
Dimensions(W x H x D)	mm	Indoor	802 x 262 x 165		
		Outdoor	810 x 555 x 262		
Net. Weight	kg	Indoor	7		
		Outdoor	46		
Refrigerant(R-22)(at 7.5m)	g	1,510			
Airflow Direction Control(Up & Down)		○			
Remocon Type		L.C.D Wireless			
Service Valve	Liquid	1/4"(6.35)			
	Gas		3/8"(9.52)	3/8"(9.52)	
Sleeping Operation		○			
Drain Hose		○			

3. LM-1460H2L/M

Item		Operation		A-Unit + B-Unit	A-Unit Only	B-Unit Only	
		Unit					
Cooling Capacity	Btu/h(kcal/h)			14,000(3,528)	10,000(2,520)	10,000(2,394)	
Heating Capacity				15,000(3,780)	11,100(2,272)	11,000(2,272)	
Moisture Removal	g /h			2.4	1.2	1.2	
Power Source	ø, V, Hz	1Ø, 220-240V, 50Hz					
Air Circulation	m ³ /min	Indoor			7.0	7.0	
		Outdoor	42				
Noise Level	dB(A)	Indoor			37 +1	37 +1	
		Outdoor	54 +1				
Input	Cooling	W			1,550	1,300	1,300
	Heating				1,250	1,800	1,800
Runnig Current	Cooling	A			6.8	6.3	6.3
	Heating				5.5	8.1	8.1
E.E.R.	Cooling	Btu/h·w			9.0	7.1	7.1
C.O.P.	Heating	-			11.5	6.1	6.1
Motor Output	W	Indoor			17.9	17.9	
		Outdoor	27				
Dimensions(W x H x D)	mm	Indoor	802 x 262 x 165				
		Outdoor	810 x 555 x 262				
Net. Weight	kg	Indoor	10				
		Outdoor	46				
Refrigerant(R-22)(at 7.5m)	g			1,600			
Airflow Direction Control(Up & Down)	O						
Remocon Type	L.C.D Wireless						
Service Valve	Liquid	1/4"(6.35)					
	Gas			3/8"(9.52)	3/8"(9.52)		
Sleeping Operation	O						
Drain Hose	O						

4. LM-1723C2L/M

Item	Operation		A-Unit + B-Unit	A-Unit Only	B-Unit Only
	Unit				
Cooling Capacity	Btu/h(kcal/h)		17,000(4,280)	8,500(2,140)	8,500(2,140)
Moisture Removal	ℓ/h		2.4	1.2	1.2
Power Source	∅, V, Hz		1∅, 220V, 60Hz		
Air Circulation	m ³ /min	Indoor		7.0	7.0
		Outdoor	53		
Noise Level	dB(A)	Indoor		37+1	37+1
		Outdoor	54 + 1		
Input	W		1,750	1,600	1,600
Runnig Current	A		8.5	7.5	7.5
E.E.R.	Btu/h·w		9.7	5.3	5.3
Motor Output	W	Indoor		6	6
		Outdoor	45		
Dimensions(W x H x D)	mm	Indoor	802 x 262 x 165		
		Outdoor	810 x 555 x 262		
Net. Weight	kg	Indoor	7		
		Outdoor	37		
Refrigerant(R-22)(at 7.5m)	g		1,425		
Airflow Direction Control(Up & Down)			O		
Remocon Type			L.C.D Wireless		
Service Valve		Liquid	1/4"(6.35)		
		Gas		3/8"(9.52)	3/8"(9.52)
Sleeping Operation			O		
Drain Hose			O		

5. LM-1963C2L/M

Item	Operation		A-Unit + B-Unit	A-Unit Only	B-Unit Only
	Unit				
Cooling Capacity	Btu/h(kcal/h)		19,000(4,788)	9,500(2,394)	9,500(2,394)
Moisture Removal	ℓ/h		2.4	1.2	1.2
Power Source	∅, V, Hz		1∅, 220-240V, 50Hz		
Air Circulation	m ³ /min	Indoor		7.0	7.0
		Outdoor	41		
Noise Level	dB(A)	Indoor		37 _i 1	37 _i 1
		Outdoor	55 _i 1		
Input	W		1,930	1,030	1,030
Runnig Current	A		8.4	4.6	4.6
E.E.R.	Btu/h·w		9.8	9.2	9.2
Motor Output	W	Indoor		7.5	7.5
		Outdoor	61		
Dimensions(W x H x D)	mm	Indoor	802 x 262x 165		
		Outdoor	870 x 655 x 320		
Net. Weight	kg	Indoor	7		
		Outdoor	63		
Refrigerant(R-22)(at 7.5m)	g		1,350 x 2	1,350	1,350
Airflow Direction Control(Up & Down)			○		
Remocon Type			L.C.D Wireless		
Service Valve		Liquid	1/4"(6.35)		
		Gas	3/8"(9.52)		
Sleeping Operation			○		
Drain Hose			○		

6. LM-1963H2L/M

Item		Operation		A-Unit + B-Unit	A-Unit Only	B-Unit Only
		Unit				
Cooling Capacity		Btu/h(kcal/h)	19,000(4,788)		9,500(2,394)	9,500(2,394)
Heating Capacity			19,000(4,788)		9,500(2,394)	9,500(2,394)
Moisture Removal		ℓ/h	2.4		1.2	1.2
Power Source		∅, V, Hz	1∅, 220-240V, 50Hz			
Air Circulation		m ³ /min	Indoor		7.0	7.0
			Outdoor	53		
Noise Level		dB(A)	Indoor		36 + 1	36 + 1
			Outdoor	53 + 1		
Input	Cooling	W	1,960		1,030	1,030
	Heating		1,980		1,030	1,030
Runnig Current	Cooling	A	8.3		4.5	4.5
	Heating		8.4		4.6	4.6
E.E.R.	Cooling	Btu/h-w	9.7		9.2	9.2
C.O.P.	Heating	-	9.6		9.2	9.2
Motor Output		W	Indoor		7.5	7.5
			Outdoor	61		
Dimensions(W x H x D)		mm	Indoor	802 x 262 x 165		
			Outdoor	870 x 655 x 320		
Net. Weight		kg	Indoor	7		
			Outdoor	63		
Refrigerant(R-22)(at 7.5m)		g			1,030	1,030
Airflow Direction Control(Up & Down)			O			
Remocon Type			L.C.D Wireless			
Service Valve			Liquid	1/4"(6.35)		
			Gas	3/8"(9.52)		
Sleeping Operation			O			
Drain Hose			O			

7. LM-2163C2L/M

Item	Operation Unit	A-Unit + B-Unit		A-Unit Only	B-Unit Only
		Cooling Capacity	Btu/h(kcal/h)	21,000(5,292)	
Moisture Removal	ℓ/h	2.9		1.7	1.2
Power Source	∅, V, Hz	1∅, 220-240V, 50Hz			
Air Circulation	m ³ /min	Indoor		9.0	7.0
		Outdoor	41		
Noise Level	dB(A)	Indoor		39 + 1	37 + 1
		Outdoor	54 + 1		
Input	W	2,150		1,260	1,080
Runnig Current	A	9.1		5.3	4.8
E.E.R.	Btu/h·w	9.7		9.5	8.3
Motor Output	W	Indoor		13	7.5
		Outdoor	61		
Dimensions(W x H x D)	mm	Indoor	900 x 280 x 178 / 802 x 262 x 165		
		Outdoor	870 x 655 x 320		
Net. Weight	kg	Indoor	10 / 7		
		Outdoor	58		
Refrigerant(R-22)(at 7.5m)	g			1,150	850
Airflow Direction Control(Up & Down)		○			
Remocon Type		L.C.D Wireless			
Service Valve		Liquid	1/4"(6.35)		
		Gas		1/2"(12.7)	3/8"(9.52)
Sleeping Operation		○			
Drain Hose		○			

8. LM-2163H2L/M

Item		Operation		A-Unit + B-Unit	A-Unit Only	B-Unit Only
		Unit				
Cooling Capacity		Btu/h(kcal/h)	21,000(5,292)		12,000(3,024)	9,000(2,268)
Heating Capacity			22,000(5,544)		12,500(3,150)	9,500(2,394)
Moisture Removal		g /h	2.9		1.7	1.2
Power Source		ø, V, Hz	1Ø, 220-240V, 50Hz			
Air Circulation		m ³ /min	Indoor		9.0	7.0
			Outdoor	53		
Noise Level		dB(A)	Indoor		39 + 1	37 + 1
			Outdoor	54 + 1		
Input	Cooling	W	2,200		1,280	1,080
	Heating		2,100		1,240	1,050
Runnig Current	Cooling	A	9.5		5.5	4.8
	Heating		9.2		5.4	4.7
E.E.R.	Cooling	Btu/h·w	9.5		9.4	8.3
C.O.P.	Heating	-	3.0		2.9	2.6
Motor Output		W	Indoor		13	7.5
			Outdoor	61		
Dimensions(W x H x D)		mm	Indoor	900 x 280 x 178 / 802 x 262 x 165		
			Outdoor	870 x 655 x 320		
Net. Weight		kg	Indoor	10 / 7		
			Outdoor	62		
Refrigerant(R-22)(at 7.5m)		g			1,420	860
Airflow Direction Control(Up & Down)		O				
Remocon Type		L.C.D Wireless				
Service Valve			Liquid	1/4"(6.35)		
			Gas		1/2"(12.7)	3/8"(9.52)
Sleeping Operation		O				
Drain Hose		O				

9. LM-2063H3L/M

Item		Operation		A-Unit	B or C-Unit	A+B or C	B+C	A+B+C	
		Unit							
Cooling Capacity		Btu/h(kcal/h)		8,000(2,016)	8,500(2,142)	16,500(4,158)	12,000(3,004)	20,000(5,040)	
Heating Capacity				8,500(2,016)	8,000(2,016)	16,500(4,158)	12,000(3,024)	20,500(5,166)	
Moisture Removal		ℓ /h		1.2	1.2	2.4	2.4	3.6	
Power Source		ø, V, Hz		1Ø, 220-240V, 50Hz					
Air Circulation		m ³ /min		Indoor	7.0	7.0	-	-	-
				Outdoor	41		-	-	-
Noise Level		dB(A)		Indoor	34	34	-	-	-
				Outdoor	56				
Input	Cooling	W		980	1,200	2,050	1,430	2250	
	Heating			950	1,100	1,850	1,100	1,870	
Runnig Current	Cooling	A		4.3	5.4	9.0	6.3	9.9	
	Heating			4.2	5.0	8.0	4.9	8.3	
E.E.R.	Cooling	Btu/h·w		8.2	7.1	8.0	8.9	8.9	
C.O.P.	Heating	-		8.9	6.2	7.8	10.9	11	
Motor Output		W		Indoor	7.5				
				Outdoor	61				
Dimensions(W x H x D)		mm		Indoor	802 x 262 x 165				
				Outdoor	870 x 655 x 320				
Net. Weight		kg		Indoor	7	-	-	-	
				Outdoor	66				
Refrigerant(R-22)(at 7.5m)		g		760	1,700	-	-	-	
Airflow Direction Control(Up & Down)				O					
Remocon Type				L.C.D Wireless					
Service Valve				Liquid	1/4"(6.35)	-	-	-	
				Gas	3/8"(9.52)	-	-	-	
Sleeping Operation				O					
Drain Hose				O					

10. LM-2064C3L/M

Item	Operation Unit						
		A-Unit	B or C-Unit	A+B or C	B+C	A+B+C	
Cooling Capacity	Btu/h(kcal/h)	8,500(2,142)	9,000(2,268)	16,800(4,233)	11,600(2,923)	20,500(5,166)	
Moisture Removal	ℓ/h	1.2	1.2	2.4	2.4	3.6	
Power Source	∅, V, Hz	1∅, 230V, 50Hz					
Air Circulation	m ³ /min	Indoor	7.0	7.0	-	-	-
		Outdoor	53		-	-	-
Noise Level	dB(A)	Indoor	34 + 1	34 + 1	-	-	-
		Outdoor	55 + 1				
Input	W	960	1,050	1,850	1,120	1,950	
Runnig Current	A	4.1	4.5	8.0	5.0	8.4	
E.E.R.	Btu/h·w	8.85	8.57	9.08	10.36	10.51	
Motor Output	W	Indoor	7.5				
		Outdoor	61				
Dimensions(W x H x D)	mm	Indoor	802 x 262 x 165				
		Outdoor	870 x 655 x 320				
Net. Weight	kg	Indoor	7	-	-	-	
		Outdoor	61				
Refrigerant(R-22)(at 7.5m)	g	770	1,100	-	-	-	
Airflow Direction Control(Up & Down)		○					
Remocon Type		L.C.D Wireless					
Service Valve	Liquid	1/4"(6.35)		-	-	-	
	Gas	3/8"(9.52)		-	-	-	
Sleeping Operation		○					
Drain Hose		○					

11. LM-3063C3L/M

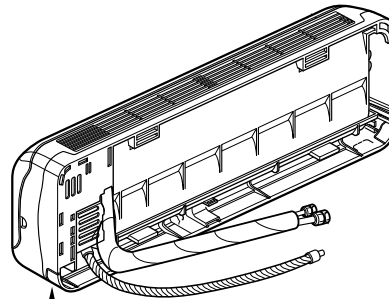
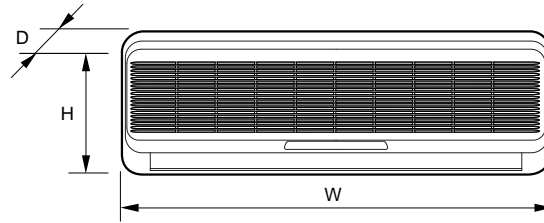
Item	Operation Unit	A-Unit					B or C-Unit		A+B or C		B+C		A+B+C	
		Cooling Capacity	Btu/h(kcal/h)	12,000(2,772)					12,000(3,024)	23,000(5,796)	18,000(4,536)	29,000(7,308)		
Moisture Removal	ℓ/h	1.7					1.7	3.4	3.4	5.1				
Power Source	ø, V, Hz	1Ø, 230V, 50Hz												
Air Circulation	m ³ /min	Indoor	9.0	9.0	-	-	-							
		Outdoor	58					-	-	-				
Noise Level	dB(A)	Indoor	37 + 1	35 + 1	-	-	-							
		Outdoor	59 + 1											
Input	W	1,240					1,700	2,900	1,800	2,900				
Runnig Current	A	5.5					7.5	12.7	8.4	12.9				
E.E.R.	Btu/h·w	8.73					6.67	7.83	9.22	9.62				
Motor Output	W	Indoor	13	13										
		Outdoor	101.5											
Dimensions(W x H x D)	mm	Indoor	888 x 287 x 170											
		Outdoor	870 x 800 x 320											
Net. Weight	kg	Indoorn	10	10	-	-								
		Outdoor	72											
Refrigerant(R-22)(at 7.5m)	g	1,170					2,000	-	-	-				
Airflow Direction Control(Up & Down)		O												
Remocon Type		L.C.D Wireless												
Service Valve	Liquid	1/4"(6.35)					-	-	-					
	Gas	1/2"(12.7)	3/8"(9.52)											
Sleeping Operation		O												
Drain Hose		O												

12. LM-3063H3L/M

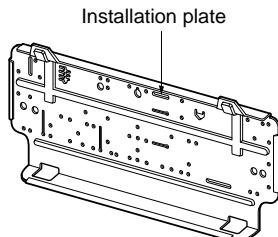
Item		Operation		A-Unit	B or C-Unit	A+B or C	B+C	A+B+C
		Unit						
Cooling Capacity		Btu/h(kcal/h)	11,000(2,772)		11,500(2,898)	22,500(5,670)	17,000(4,284)	28,000(7,056)
Heating Capacity			11,000(2,772)		12,000(3,024)	23,000(5,796)	17,000(4,284)	28,000(3,056)
Moisture Removal		ℓ /h	1.7		1.7	3.4	3.4	5.1
Power Source		∅, V, Hz	1∅, 220-240V, 50Hz					
Air Circulation		m ³ /min	Indoor	9.0	9.0	-	-	-
			Outdoor	58		-	-	-
Noise Level		dB(A)	Indoor	38	36	-	-	-
			Outdoor	60				
Input	Cooling	W	1,250		1,580	2,630	1,750	2,800
	Heating		1,150		1,750	2,700	1,470	2,620
Runnig Current	Cooling	A	5.5		7.2	12	8	12.8
	Heating		5.2		8.0	13	6.7	11.3
E.E.R.	Cooling	Btu/h·w	8.8		7.3	8.6	9.7	10
C.O.P.	Heating	-	9.6		6.9	8.5	10.7	3.05
Motor Output		W	Indoor	13				
			Outdoor	101.5				
Dimensions(W x H x D)		mm	Indoor	888 x 287 x 170				
			Outdoor	870 x 800 x 320				
Net. Weight		kg	Indoor	10		-	-	-
			Outdoor	83				
Refrigerant(R-22)(at 7.5m)		g	1,160		1,900	-	-	-
Airflow Direction Control(Up & Down)		○						
Remocon Type		L.C.D Wireless						
Service Valve		Liquid	1/4"(6.35)			-	-	-
		Gas	1/2"(12.7)	3/8"(9.52)		-	-	-
Sleeping Operation		○						
Drain Hose		○						

Dimensions

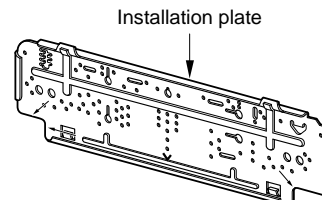
1. Indoor Unit



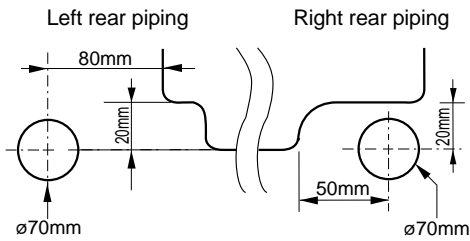
Tubing hole cover



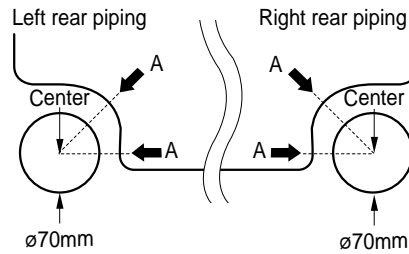
(6K, 7K, 8K, 9K)



(9K, 10K, 12K)



(6K, 7K, 8K, 9K)

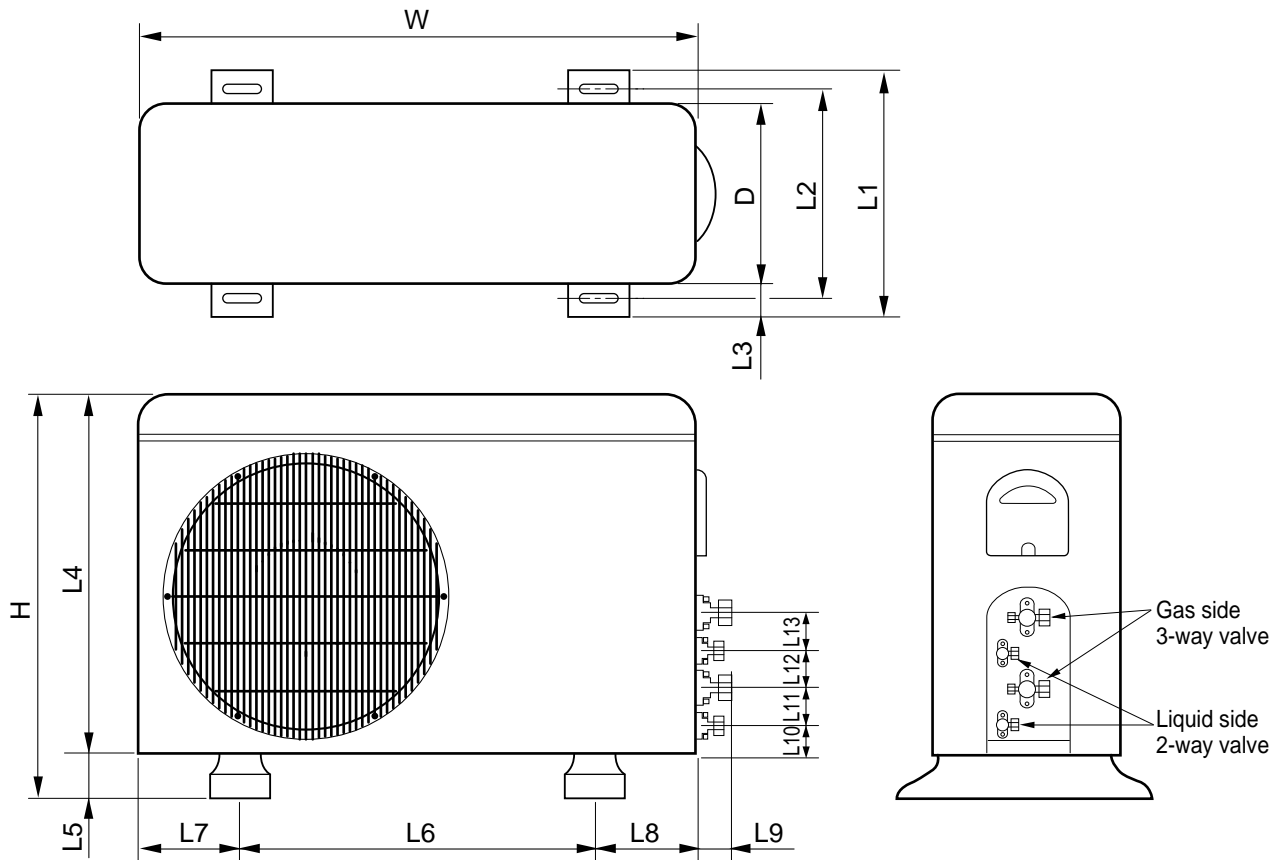


(9K, 10K, 12K)

DIM		MODEL	6K, 7K, 8K, 9K Btu Series	9K, 10K, 12K Btu Series
W	mm		802	888
H	mm		262	287
D	mm		165	170

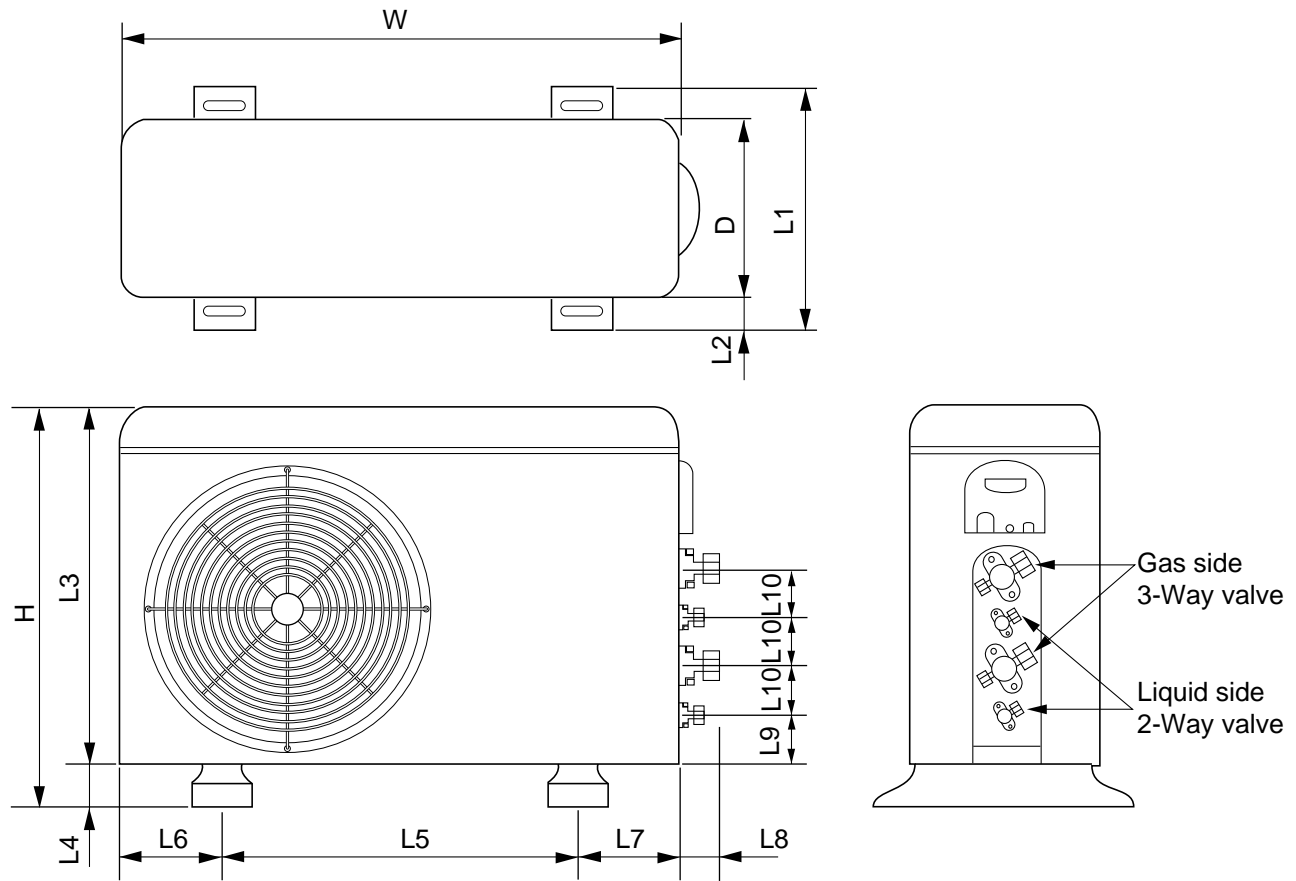
2. Outdoor Unit

2-1 LM-1460C2L/M, LM-1560C2L/M, LM-1460H2L/M, LM-1723C2L/M



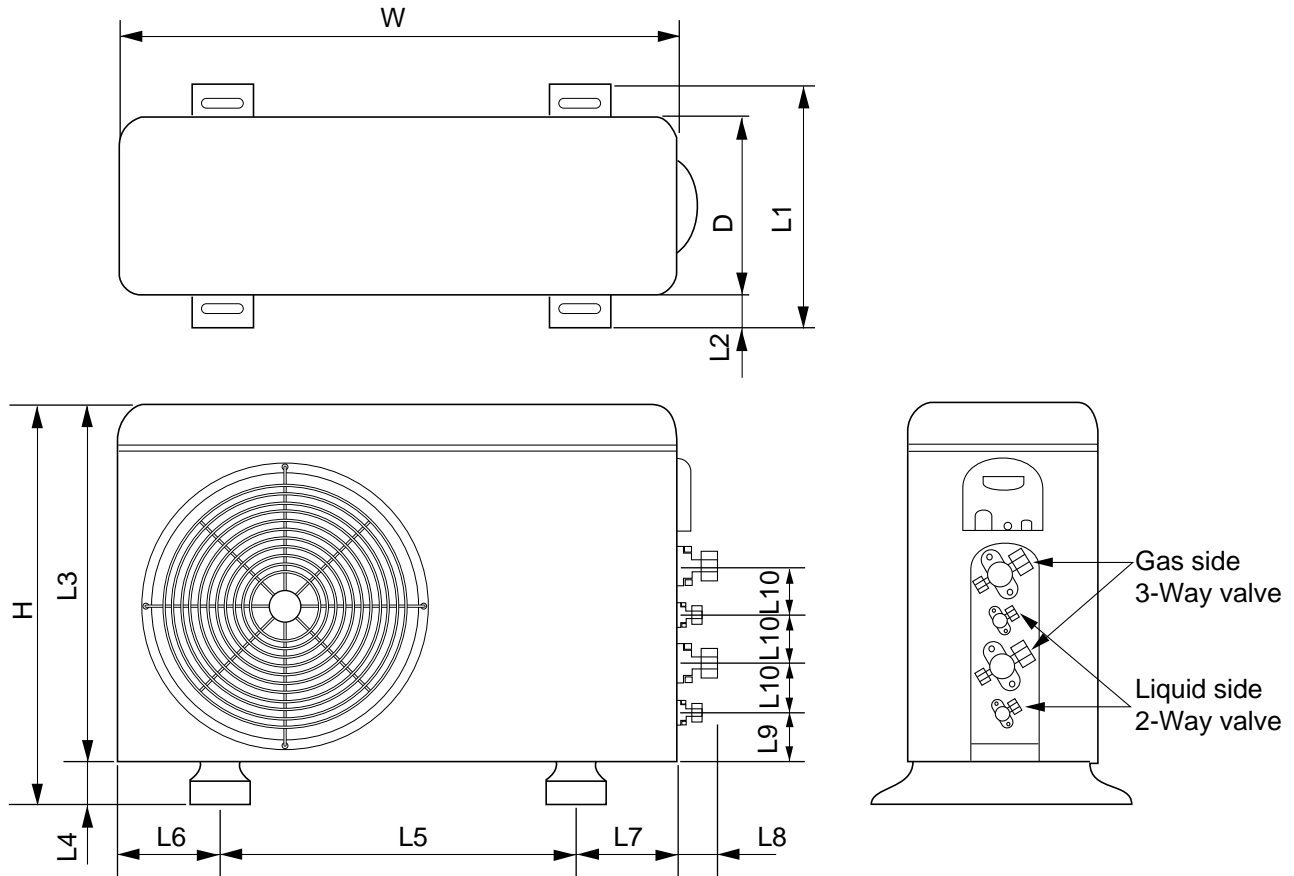
DIM		MODEL	LM-1460C2L/M, LM-1560C2L/M LM-1460H2L/M, LM-1723C2L/M
W	mm		801
H	mm		555
D	mm		262
L1	mm		339
L2	mm		300
L3	mm		37
L4	mm		543.6
L5	mm		11.4
L6	mm		591
L7	mm		105
L8	mm		105
L9	mm		72.5
L10	mm		74.5
L11	mm		79

2-2. LM-1963C2L/M, LM-2163C2L/M, LM-1963H2L/M, LM-2163H2L/M



MODEL		LM-1963C2L/M, LM-2163C2L/M, LM-1963H2L/M, LM-2163H2L/M
DIM		
W	mm	870
H	mm	655
D	mm	320
L1	mm	370
L2	mm	25
L3	mm	630
L4	mm	25
L5	mm	546
L6	mm	160
L7	mm	160
L8	mm	64
L9	mm	76.5
L10	mm	50

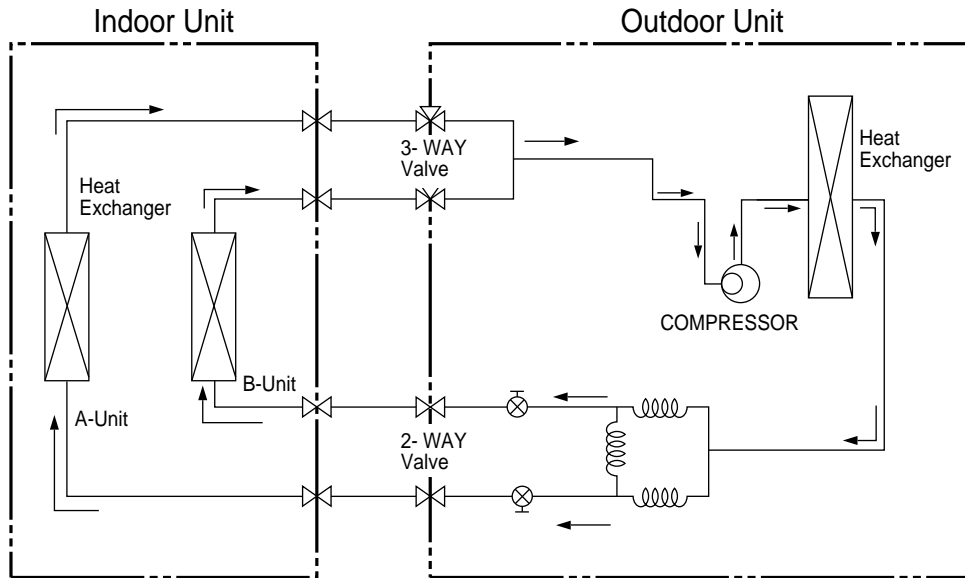
**2-3. LM-2064C3L/M, LM-2063H3L/M
LM-3063C3L/M, LM-3063H3L/M**



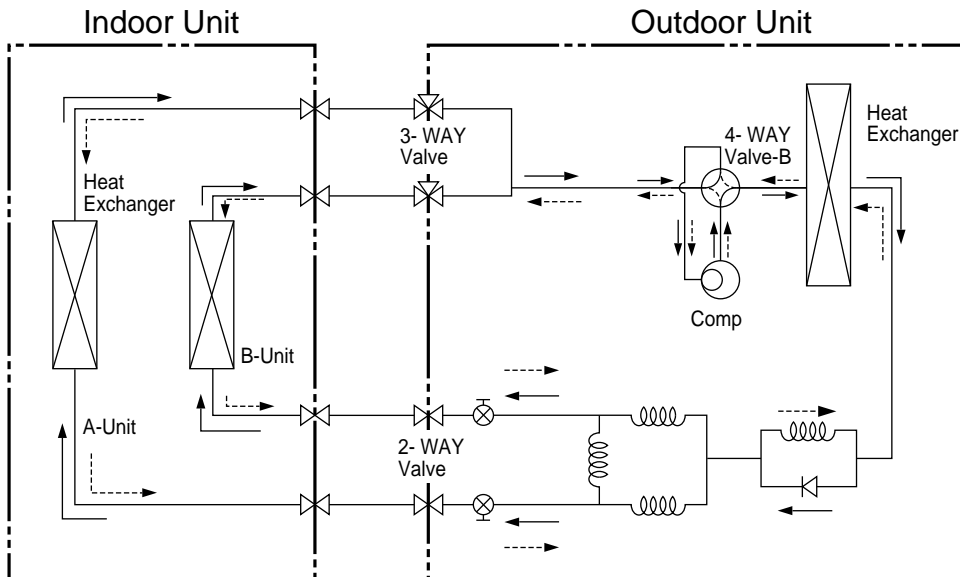
MODEL		LM-2064C3L/M, LM-2063H3L/M	LM-3063C3L/M, LM-3063H3L/M
DIM			
W	mm	870	870
H	mm	655	800
D	mm	320	320
L1	mm	370	370
L2	mm	25	25
L3	mm	630	775
L4	mm	25	25
L5	mm	546	546
L6	mm	160	160
L7	mm	160	160
L8	mm	64	64
L9	mm	76.5	76.5
L10	mm	50	50

Refrigeration Cycle Diagram

1. LM-1460C2L/M, LM-1560C2L/M (Cooling only models)



2. LM-1460H2L/M (Cooling & Heating modes)

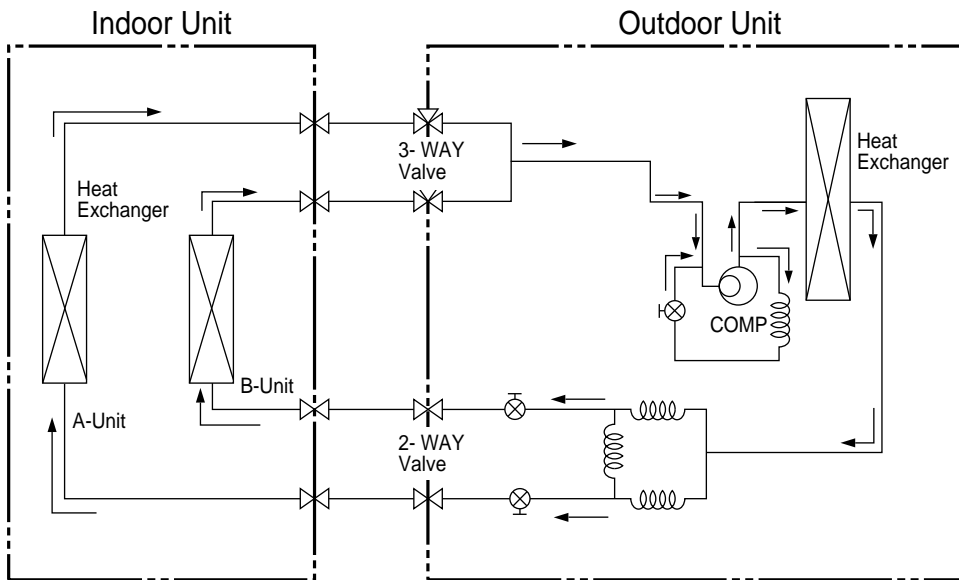


Pipe Size (Diameter : inch)		Max. piping length (m)	Max. piping elevation (m)
Gas	Liquid		
3/8"	1/4"	10~15	5~7

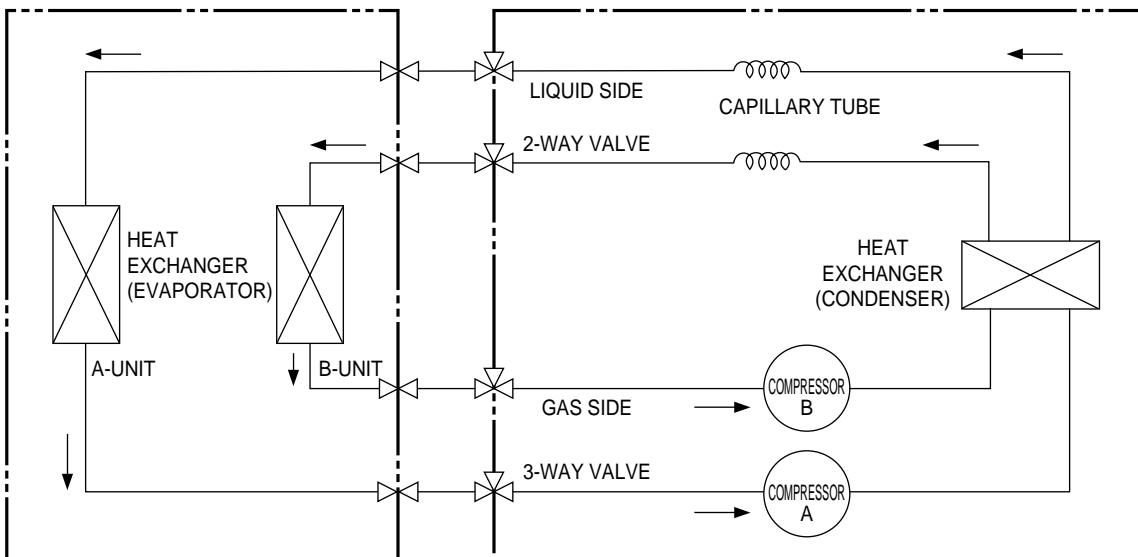
ex)

	Solenoid Valve
	Capillary
	Cooling & Deice
	Heating

3. LM-1723C2L/M(Cooling only modes)



4. LM-1963C2L/M, LM-2163C2L/M(Cooling only models)

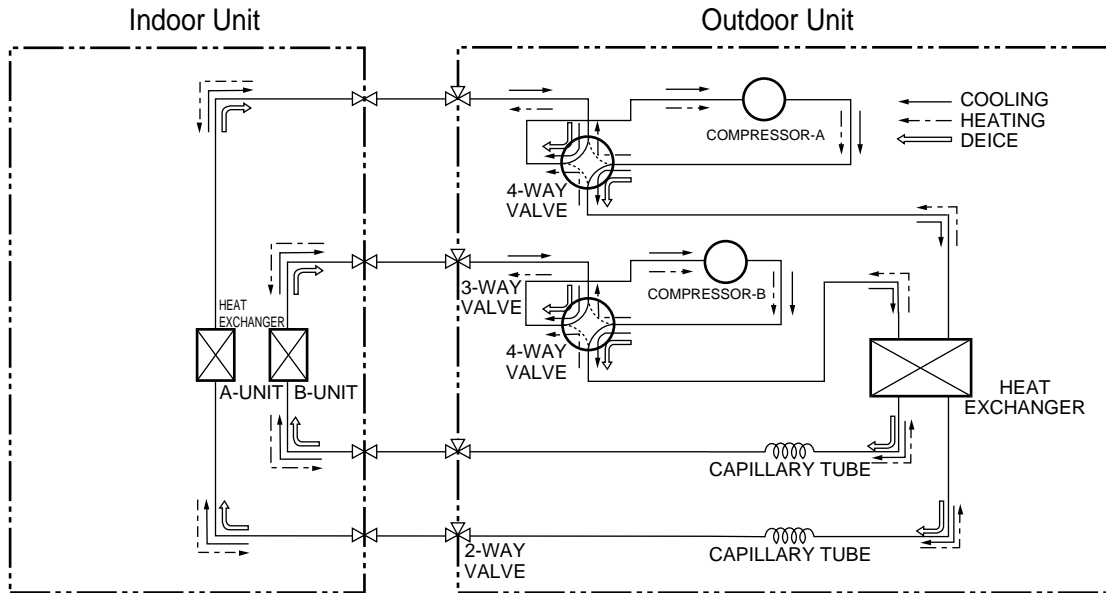


Pipe Size (Diameter : inch)		Max. piping length (m)	Max. piping elevation (m)
Gas	Liquid		
3/8"	1/4"	10~15	5~7

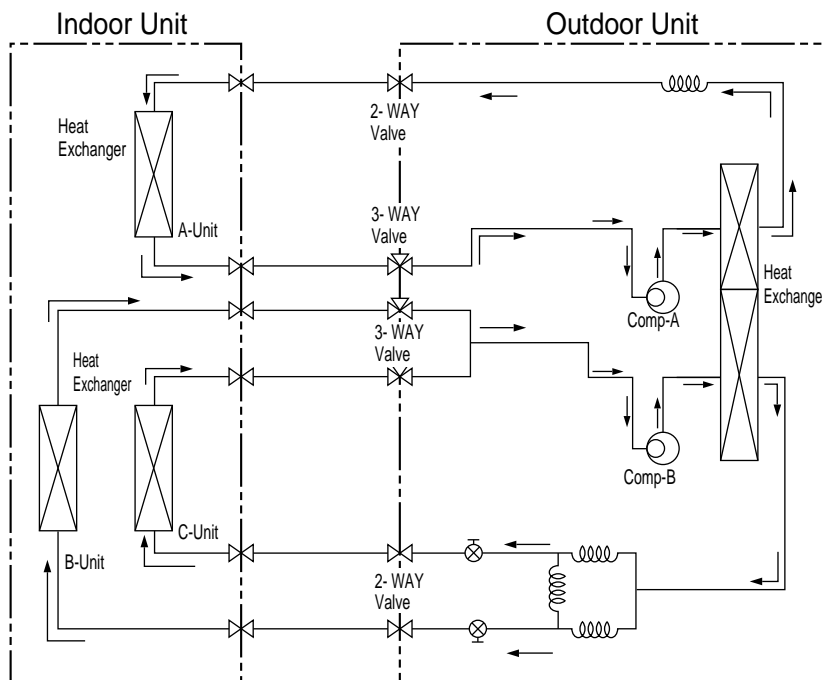
ex)

	Solenoid Valve
	Capillary
	Cooling & Deice

5. LM-1963H2L/M, LM-2163H2L/M(Cooling & Heating models)



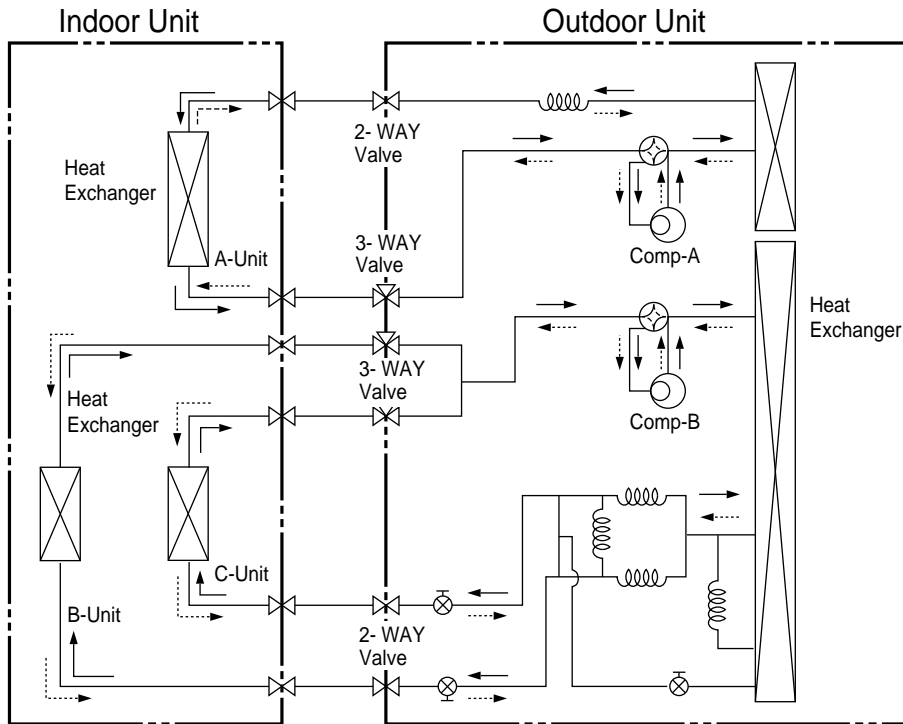
6. LM-2064C3L/M, LM-3063C3L/M(Cooling only models)



Pipe Size (Diameter : inch)		Max. piping length (m)	Max. piping elevation (m)
Gas	Liquid		
3/8"(1/2")	1/4"	10~15	5~7

ex)		Solenoid Valve
		Capillary
		Cooling & Deice
		Heating

7. LM-2063H3L/M, LM-3063H3L/M(Cooling & Heating models)



Pipe Size (Diameter : inch)		Max. piping length (m)	Max. piping elevation (m)
Gas	Liquid		
3/8"(1/2")	1/4"	10~15	5~7

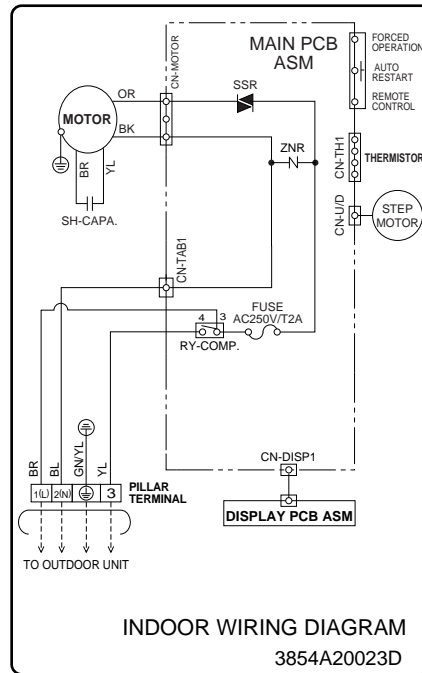
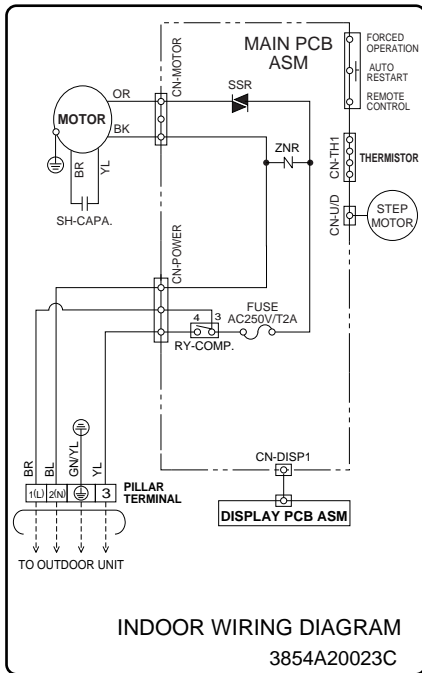
ex)

	Solenoid Valve
	Capillary
	Cooling & Deice
	Heating

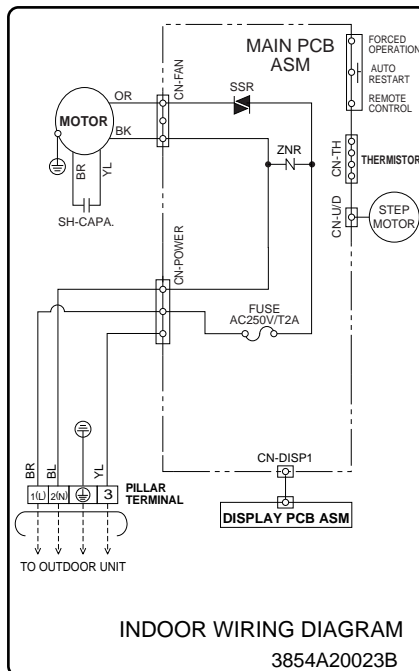
Wiring Diagram(Indoor Unit)

1. LM-1460C2L/M, LM-1723C2L/M
 LM-1963C2L/M, LM-2163C2L/M(9K)
 LM-1560C2L/M

2. LM-2163C3L/M(12K)

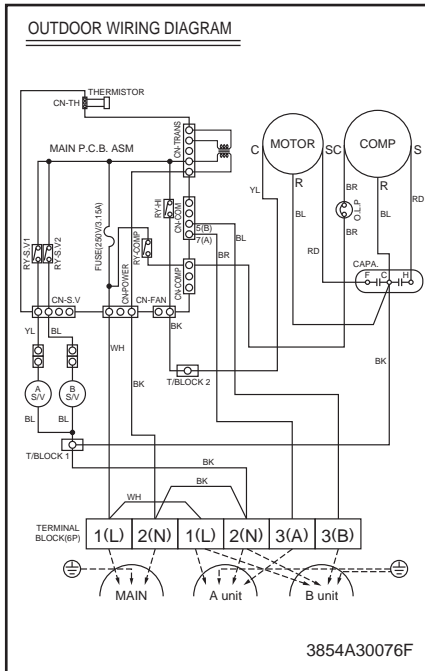


3. LM-1460H2L/M, LM-1963H2L/M, LM-2163H2L/M, LM-2063H3L/M,
 LM-3063H3L/M, LM-3063C3L/M, LM-2064C3L/M

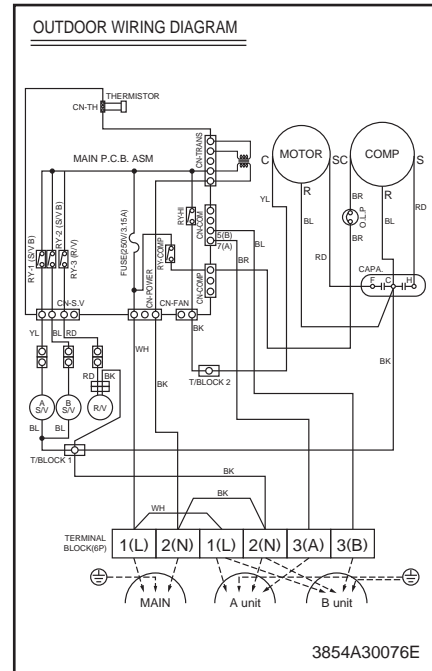


Wiring Diagram(Outdoor Unit)

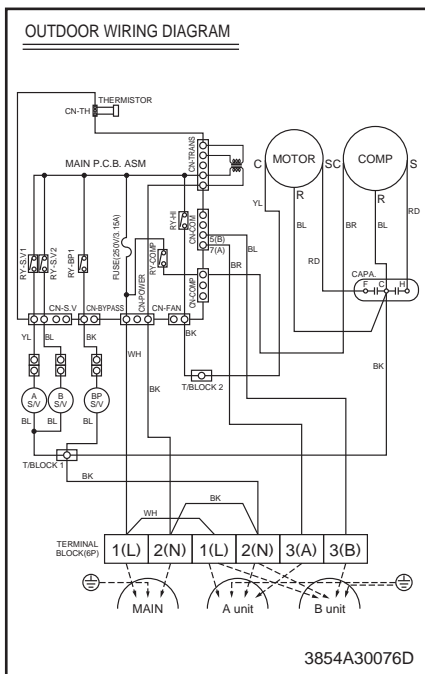
1. LM-1460C2L/M, LM-1560C2L/M



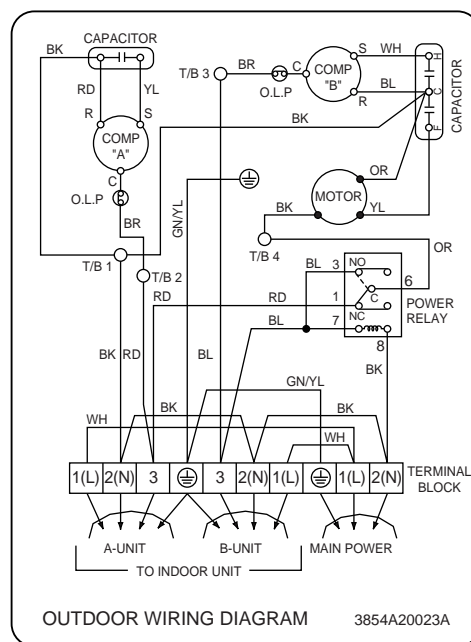
2. LM-1460H2L/M



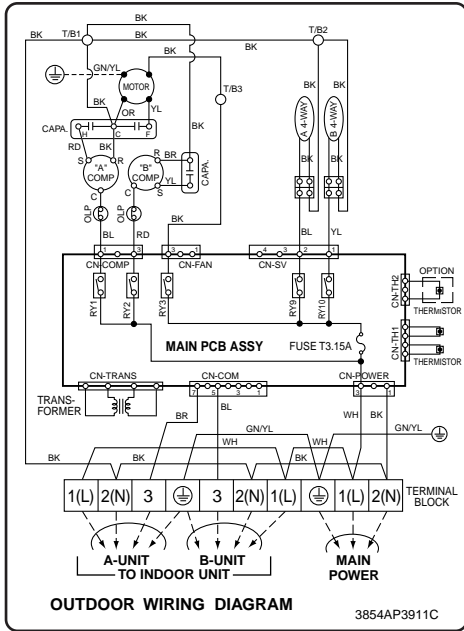
3. LM-1723C2L/M



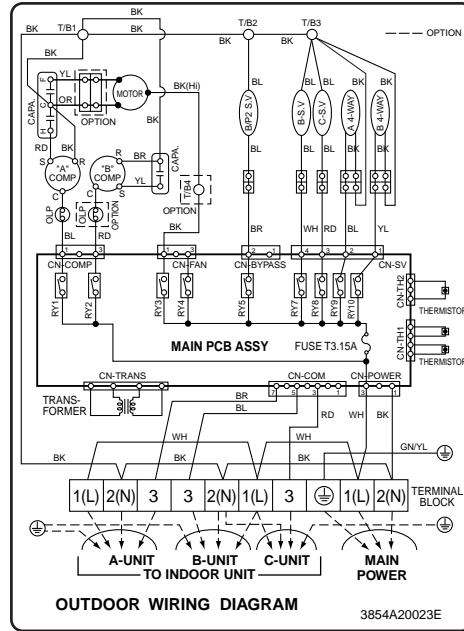
4. LM-1963C2L/M



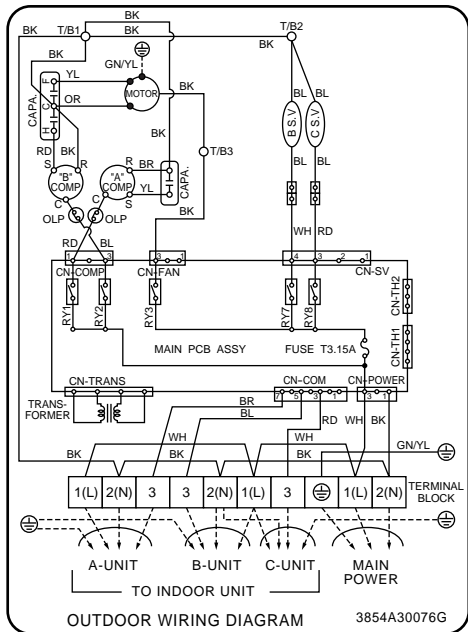
5. LM-1963H2L/M, LM-2163H2L/M



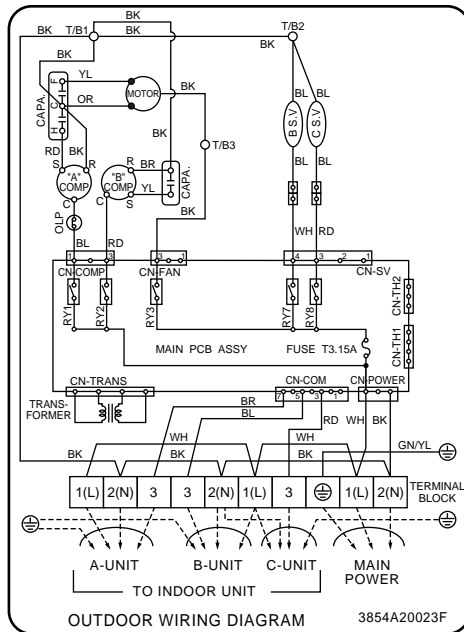
6. LM-2063H3L/M, LM-3063H3L/M



7. LM-2064C3L/M



8. LM-3063C3L/M



Operation Details

1. MAIN UNIT FUNCTION

• DISPLAY

1) C/O Model

Operation Indicator

- On while in appliance operation, off while in appliance pause
- Flashing while in disconnection or short in Thermistor (3 sec off / 0.5 sec on)

Sleep Timer Indicator

- On while in sleep timer mode, off when sleep timer cancel or appliance operation pause

Timer Indicator

- On while in timer mode (on/off), off when timer mode is completed or canceled.

Comp. Running Indicator

- While in appliance operation, on while in outdoor unit compressor running, off while in compressor off

2) H/P Model

Operation Indicator

- On while in appliance operation, off while in appliance pause
- Flashing while in disconnection or short in Thermistor (3 sec off / 0.5 sec on)

Sleep Timer Indicator

- On while in sleep timer mode, off when sleep timer cancel or appliance operation pause

Timer Indicator

- On while in timer mode (on/off), off when timer mode is completed or canceled

Defrost Indicator

- Off except when hot start during heating mode operation or while in defrost control

■ Cooling Mode Operation

- When the intake air temperature reaches 0.5°C below the setting temp, the compressor and the outdoor fan stop.
- When it reaches 0.5°C above the setting temp, they start to operate again.
 - Compressor ON Temp ▶ Setting Temp+0.5°C
 - Compressor OFF Temp ▶ Setting Temp-0.5°C
- While in compressor running, operating with the airflow speed set by the remote control. While in compressor not running, operating with the low airflow speed regardless of the setting.

■ Healthy Dehumidification Mode

- When the dehumidification operation input by the remote control is received, the intake air temperature is detected and the setting temp is automatically set according to the intake air temperature.
 - 26°C ≤ Intake Air Temp ▶ 25°C
 - 24°C ≤ Intake Intake Air Temp < 26°C ▶ Intake Air Temp - 1°C
 - 18°C ≤ Intake Intake Air Temp < 24°C ▶ Intake Air Temp - 0.5°C
 - Intake Air Temp < 18°C ▶ 18°C

- While in compressor off, the indoor fan repeats low airflow speed and pause.
- While the intake air temp is between compressor on temp. and compressor off temp., 10-min dehumidification operation and 4-min compressor off repeat.
Compressor ON Temp. ▷ Setting Temp+0.5°C
Compressor OFF Temp. ▷ Setting Temp-0.5°C
- In 10-min dehumidification operation, the indoor fan operates with the low airflow speed.

■ Heating Mode Operation(H/P model)

- When the intake air temp reaches +3°...above the setting temp, the compressor is turned off. When below the setting temp, the compressor is turned on.
Compressor ON Temp. ▷ Setting Temp.
Compressor OFF Temp. ▷ Setting Temp.+3°C
- While in compressor on, the indoor fan is off when the indoor pipe temp. is below 20°C, when above 28°C , it operates with the low or setting airflow speed. When the indoor pipe temp is between 20°C and 28°C, it operates with Super-Low(while in sleep mode, with the medium airflow speed).
- While in compressor off, the indoor fan is off when the indoor pipe temp is below 33°C, when above 35°C , it operates with the low airflow speed.
- If overloaded while in heating mode operation, in order to prevent the compressor from OLP operation, the outdoor fan is turned on/off according to the indoor pipe temp.
- While in defrost control, both of the indoor and outdoor fans are turned off.

■ Defrost Control(H/P model)

- Defrost operation is controlled by timer and sensing temperature of outdoor pipe.
- The first defrost starts only when the outdoor pipe temperature falls below -6°C after 60 minutes passed from starting of heating operation and more than 10 minutes operation of compressor.
- Defrost ends after 12 minutes passed from starting of defrost operation or after the outdoor fan operates within max. 2 minutes 30 seconds when the outdoor pipe temperature rises over 12°C even it before 12 minutes.
- The second defrost starts only when the outdoor pipe temperature falls below -6°C after 60 minutes passed from ending of the first defrost and more than 10 minutes operation of compressor.

■ Cooling overload(except : LM-1963C2L/M, LM-1723C2L/M, LM-2163C2L/M, LM-1460C2L/M)

- Control indoor fan by sensing outdoor pipe temperature.
- One step down from setting fan speed if pipe temperature is over 50°C and if below 45°C, operate on setting temperature.

■ Heating overload(H/P models)

- Outdoor fan ON/OFF by sensing outdoor pipe temperature.
- Outdoor fan is OFF if pipe temperature is over 6.5°C and outdoor fan is ON if pipe temperature is below 0°C.
- Outdoor fan is off if any one part is heating overload condition.

■ Fuzzy Operation (C/O Model)

- According to the temperature set by Fuzzy rule, when the intake air temp is 0.5°C or more below the setting temp, the compressor is turned off. When 0.5°C or more above the setting temp, the compressor is turned on.
Compressor ON Temp ◀ Setting Temp + 0.5°C
Compressor OFF Temp ◀ Setting Temp + 0.5°C
- At the beginning of Fuzzy mode operation, the setting temperature is automatically selected according to the intake air temp at that time.
26°C ≤ Intake Air Temp ◀ 25°C
24°C ≤ Intake Air Temp < 26°C ◀ Intake Air Temp + 1°C
22°C ≤ Intake Air Temp < 24°C ◀ Intake Air Temp + 0.5°C
18°C ≤ Intake Air Temp < 22°C ◀ Intake Air Temp
Intake Air Temp < 18°C ◀ 18°C
- When the Fuzzy key (Temperature Control key) is input after the initial setting temperature is selected, the Fuzzy key value and the intake air temperature at that time are compared to select the setting temperature automatically according to the Fuzzy rule.
- While in Fuzzy operation, the airflow speed of the indoor fan is automatically selected according to the temperature.

■ Fuzzy Operation (H/P Model)

- When any of operation mode is not selected like the moment of the power on or when 3 hrs has passed since the operation off, the operation mode is selected.
- When determining the operation mode, the compressor, the outdoor fan, and the 4 way valve are off and only the indoor fan is operated for 15 seconds. Then an operation mode is selected according to the intake air temp at that moment as follows.
24°C ≤ Intake Air Temp ◀ Fuzzy Operation for Cooling
21°C ≤ Intake Air Temp < 24°C ◀ Fuzzy Operation for Dehumidification
Intake Air Temp < 21°C ◀ Fuzzy Operation for Heating
- If any of the operation modes among cooling / dehumidification / heating mode operations is carried out for 10 sec or longer before Fuzzy operation, the mode before Fuzzy operation is operated.

1) Fuzzy Operation for Cooling

- According to the setting temperature selected by Fuzzy rule, when the intake air temp is 0.5°C or more below the setting temp, the compressor is turned off. When 0.5°C or more above the setting temp, the compressor is turned on.
Compressor ON Temp ◀ Setting Temp + 0.5°C
Compressor OFF Temp ◀ Setting Temp + 0.5°C
- At the beginning of Fuzzy mode operation, the setting temperature is automatically selected according to the intake air temp at that time.
26°C ≤ Intake Air Temp ◀ 25°C
24°C ≤ Intake Air Temp < 26°C ◀ Intake Air Temp + 1°C
22°C ≤ Intake Air Temp < 24°C ◀ Intake Air Temp + 0.5°C
18°C ≤ Intake Air Temp < 22°C ◀ Intake Air Temp
Intake Air Temp < 18°C ◀ 18°C
- When the Fuzzy key (Temperature Control key) is input after the initial setting temperature is selected, the Fuzzy key value and the intake air temperature at that time are compared to select the setting temperature automatically according to the Fuzzy rule.
- While in Fuzzy operation, the airflow speed of the indoor fan is automatically selected according to the temperature.

2) Fuzzy Operation for Dehumidification

- According to the setting temperature selected by Fuzzy rule, when the intake air temp is 0.5°C or more below the setting temp, the compressor is turned off. When 0.5°C or more above the setting temp, the compressor is turned on.
 - Compressor ON Temp ▶ Setting Temp + 0.5°C
 - Compressor OFF Temp ▶ Setting Temp+0.5°C
- At the beginning of Fuzzy mode operation, the setting temperature is automatically selected according to the intake air temp at that time.
 - 26°C ≤ Intake Air Temp ▶ 25°C
 - 24°C ≤ Intake Air Temp < 26°C ▶ Intake Air Temp+1°C
 - 22°C ≤ Intake Air Temp < 24°C ▶ Intake Air Temp+0.5°C
 - 18°C ≤ Intake Air Temp < 22°C ▶ Intake Air Temp
 - Intake Air Temp < 18°C ▶ 18°C
- When the Fuzzy key (Temperature Control key) is input after the initial setting temperature is selected, the Fuzzy key value and the intake air temperature at that time are compared to select the setting temperature automatically according to the Fuzzy rule.
- While in Fuzzy operation, the airflow speed of the indoor fan repeats the low airflow speed or pause as in dehumidification operation.

3) Fuzzy Operation for Heating

- According to the setting temperature selected by Fuzzy rule, when the intake air temp is 3°C or more above the setting temp, the compressor is turned off. When below the setting temp, the compressor is turned on.
 - Compressor ON Temp ▶ Setting Temp
 - Compressor OFF Temp ▶ Setting Temp + 3°C
- At the beginning of Fuzzy mode operation, the setting temperature is automatically selected according to the intake air temp at that time.
 - 20°C ≤ Intake Air Temp ▶ Intake Air Temp + 0.5°C
 - Intake Air Temp < 20°C ▶ 20°C
- When the Fuzzy key (Temperature Control key) is input after the initial setting temperature is selected, the Fuzzy key value and the intake air temperature at that time are compared to select the setting temperature automatically according to the Fuzzy rule.
- While in Fuzzy operation, the airflow speed of the indoor fan is set to the high or the medium according to the intake air temperature and the setting temperature.

■ Airflow Speed Selection

- The airflow speed of the indoor fan is set to high, medium, low, or chaos (auto) by the input of the airflow speed selection key on the remote control.

■ On-Timer Operation

- When the set time is reached after the time is input by the remote control, the appliance starts to operate.
- The timer LED is on when the on-timer is input. It is off when the time set by the timer is reached.
- If the appliance is operating at the time set by the timer, the operation continues.

■ Off-Timer Operation

- When the set time is reached after the time is input by the remote control, the appliance stops operating.
- The timer LED is on when the off-timer is input. It is off when the time set by the timer is reached.
- If the appliance is on pause at the time set by the timer, the pause continues.

■ Off-Timer <=> On-Timer Operation

- When the set time is reached after the on/off time is input by the remote control, the on/off-timer operation is carried out according to the set time.

■ Sleep Timer Operation

- When the sleep time is reached after <1,2,3,4,5,6,7,0(cancel) hr> is input by the remote control while in appliance operation, the operation of the appliance stops.
- While the appliance is on pause, the sleep timer mode cannot be input.
- While in cooling mode operation, 30 min later since the start of the sleep timer, the setting temperature increases by 1°C. After another 30 min elapse, it increases by 1°C again.
- When the sleep timer mode is input while in cooling cycle mode, the airflow speed of the indoor fan is set to the low.
- When the sleep timer mode is input while in heating cycle mode, the airflow speed of the indoor fan is set to the medium.

■ Chaos Swing Mode

- By the Chaos Swing key input, the upper/lower vane automatically operates with the Chaos Swing or they are fixed to the desired direction.
- While in Chaos Swing mode, the angles of cooling and heating cycle operations are different.

■ Chaos Natural Wind Mode

- When the Chaos Natural Wind mode is selected and then operated, the high, medium, or low speed of the airflow mode is operated for 2~15 sec. randomly by the Chaos Simulation.

■ Jet Cool Mode Operation (C/O Model)

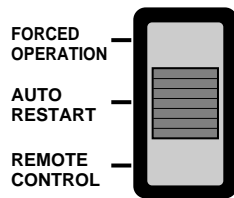
- If the Jet Cool key is input at any operation mode while in appliance operation, the Jet Cool mode operates.
- In the Jet Cool mode, the indoor fan is operated at super-high speed for 30 min at cooling mode operation.
- In the Jet Cool mode operation, the room temperature is controlled to the setting temperature, 18°C
- When the sleep timer mode is input while in the Jet Cool mode operation, the Jet Cool mode has the priority.
- When the Jet Cool key is input, the upper/lower vanes are reset to those of the initial cooling mode and then operated in order that the air outflow could reach further.

■ Jet Cool Mode Operation (H/P Model)

- While in heating mode or Fuzzy operation, the Jet Cool key cannot be input. When it is input while in the other mode operation (cooling, dehumidification, ventilation), the Jet Cool mode is operated.
- In the Jet Cool mode, the indoor fan is operated at super-high speed for 30 min at cooling mode operation.
- In the Jet Cool mode operation, the room temperature is controlled to the setting temperature, 18°C.
- When the sleep timer mode is input while in the Jet Cool mode operation, the Jet Cool mode has the priority.
- When the Jet Cool key is input, the upper/lower vanes are reset to those of the initial cooling mode and then operated in order that the air outflow could reach further.

■ Auto Restarting Operation

- When the power is restored after a sudden power failure while in appliance operation, the mode before the power failure is kept on the memory and the appliance automatically operates in the mode on the memory.
- The slide switch on the main unit of the appliance should be on the Auto Restarting position in order that the Auto Restarting operation is available.
- Operation Mode that is kept on the memory
 - State of Operation ON/OFF
 - Operation Mode/Setting Temp/Selected Airflow Speed
 - Sleep Timer Mode/Remaining Time of Sleep Timer (unit of hour)
- If no input by the remote control or no switching of the slide switch within 7 hr after the appliance operates by the Auto Restarting operation, the appliance is forced to stop at the moment of 7-hr elapse.



Slide Switch

■ Forced Operation (C/O Model)

- To operate the appliance by force in case that the remote control is lost, the forced operation selection switch is on the main unit of the appliance to operate the appliance in the standard conditions.
- When the power is supplied while the slide switch is on the forced operation position, or when the slide switch position is switched to the Auto Restarting position (or test operation) or switched from the remote control position to the forced operation position while the power is on, the forced operation is carried out.
- When the slide switch position is switched from the forced operation position to the Auto Restarting position or the remote control position, the forced operation is canceled and the appliance stops operating.
- The forced operation is carried out in cooling mode with the setting temperature 22°C and the high speed of airflow.
- While in forced operation, the key input by the remote control has no effect and the buzzer sounds 10 times to indicate the forced operation.(only LM-1460C2L/M, LM-1723C2L/M, LM-1963C2L/M, LM-2163C2L/M)

■ Forced Operation (H/P Model)

- To operate the appliance by force in case that the remote control is lost, the forced operation selection switch is on the main unit of the appliance to operate the appliance in the standard conditions.
- When the power is supplied while the slide switch is on the forced operation position, or when the slide switch position is switched to the Auto Restarting (or test operation) position or switched from the remote control position to the forced operation position while the power is on, the forced operation is carried out.
- When the slide switch position is switched from the forced operation position to the Auto Restarting position or the remote control position, the forced operation is canceled and the appliance stops operating.
- The forced operation is carried out in cooling mode with the setting temperature 22°C and the high speed of airflow.
- In the forced operation mode, the indoor fan is operated at low speed for around 15 sec and then the operation condition is set according to the intake air temperature as follows.
 - 24°C≤Intake Air Temp ◀ Cooling Mode Operation, 22°C, High Speed
 - 21°C≤Intake Air Temp<24°C ▶ Dehumidification Operation, 23°C, High Speed
 - Intake Air Temp<21°C ▶ Heating Mode Operation, 24°C, High Speed
- While in forced operation, the key input by the remote control has no effect and the buzzer sounds 10 times to indicate the forced operation. (only LM-1460C2L/M, LM-1723C2L/M, LM-1963C2L/M, LM-2163C2L/M)

■ Remote Control Operation Mode

- When the remote control is selected by the slide switch on the main unit, the appliance operates according to the input by the remote control.

■ Protection of the evaporator pipe from frosting

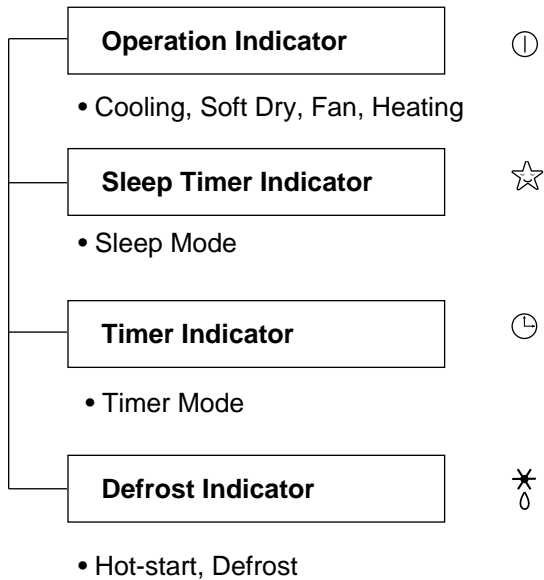
- If the indoor pipe temp is below 0°C in 7 min. after the compressor operates without any pause while in cooling cycle operation mode, the compressor and the outdoor fan are turned off in order to protect the indoor evaporator pipe from frosting.
- When the indoor pipe temp is 7°C or higher after 3 min. pause of the compressor, the compressor and the outdoor fan is turned on according to the condition of the room temperature.

■ Buzzer Sounding Operation

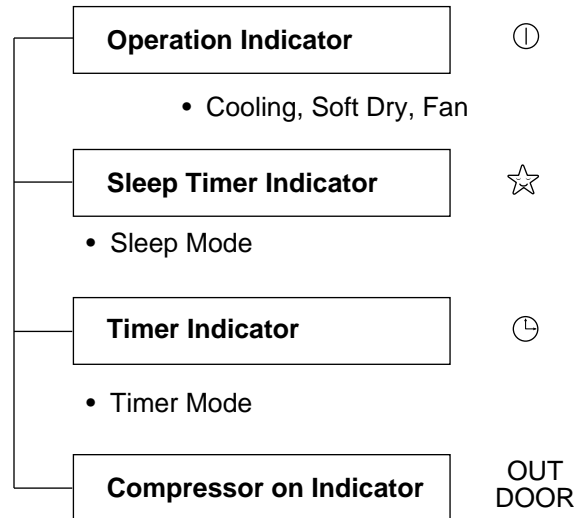
- When the appliance-operation key is input by the remote control, the short "beep-beep-" sounds.
- When the appliance-pause key is input by the remote control, the long "beep—" sounds.
- When a key is input by the remote control while the slide switch on the main unit of the appliance is on the forced operation position, the error sound "beep-beep-beep-beep-beep-" is made 10 times to indicate that the remote control signal cannot be received.

Display Function

1. Heating Model



2. Cooling Model



Self-diagnosis Function

■ Error Indicator

- The function is to self-diagnosis airconditioner and express the troubles identifiably if there is any trouble.
- Error mark is ON/OFF for the operation LED of evaporator body in the same manner as the following table.
- If more than two troubles occur simultaneously, primarily the highest trouble fo error code is expressed.
- After error occurrence, if error is released, error LED is also released simultaneously.
- To operate again on the occurrence of error code 12, be sure to pull out power cord and then re-insert.
- Having or not of error code is different from Model.

Error Code	Error LED (Indoor body operation LED)	Error contents	SVC check point
1	(once) 3sec 3sec 3sec	<ul style="list-style-type: none"> • Indoor suction temperature thermistor open/short. • Indoor pipe temperature thermistor open/short. 	• Indoor TH ass'y check
2	(twice) 3sec 3sec	<ul style="list-style-type: none"> • Outdoor suction temperature thermistor open/short. • Outdoor pipe temperature thermistor open/short. 	• Outdoor TH ass'y check
3	(3times) 3sec 3sec	• Abnormal operation of multi product. (Simultaneous operation of cooling and heating)	• Resetting of remocon operating mode
5	(5times) 3sec	• Poor communication	• Communication line/circuit check
12	(once) (twice) (once) (twice) 3sec 3sec 3sec	• Misconnection of connecting cables	<ul style="list-style-type: none"> • Primarily check refrigerant pressure • Connecting pipe check • Connecting cable check

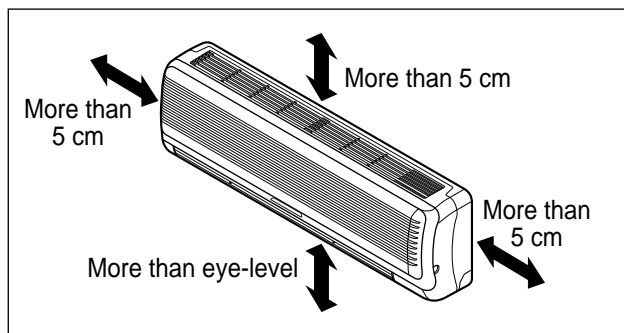
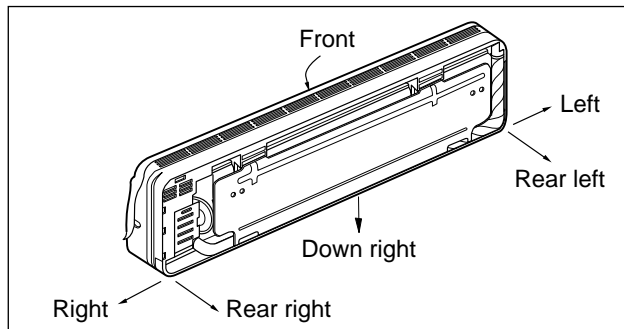
Installation

(1) Installation of Indoor, Outdoor unit

1) Selection of the best location

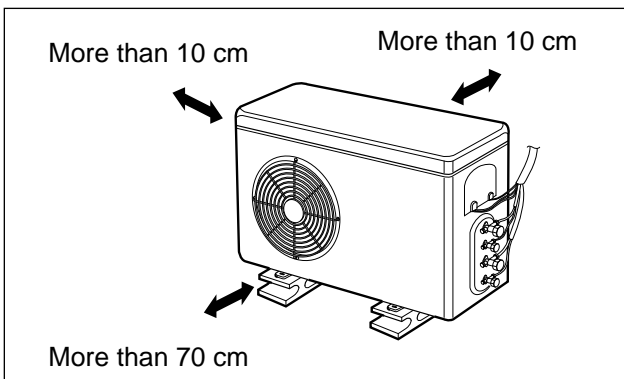
1. Indoor unit

- There should not be any heat source or steam near the unit.
- There should not be any obstacles to prevent the air circulation.
- A place where air circulation in the room will be good.
- A place where drainage can be easily obtained.
- A place where noise prevention is taken into consideration.
- Do not install the unit near the door way.
- Ensure the spaces indicated by arrows from the wall, ceiling, fence, or other obstacles.



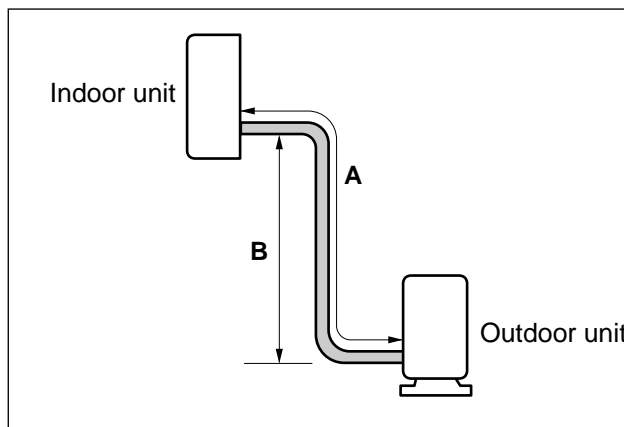
2. Outdoor unit

- If an awning is built over the unit to prevent direct sunlight or rain exposure, be careful that heat radiation from the condenser is not restricted.
- There should not be any animals or plants which could be affected by hot air discharged.
- Ensure the spaces indicated by arrows from the wall, ceiling, fence, or other obstacles.



3. Piping length and the elevation

Pipe Size		Max. piping length A (m)	Max. Elevation B (m)
GAS	LIQUID		
1/2"(3/8")	1/4"	10~15	5~7



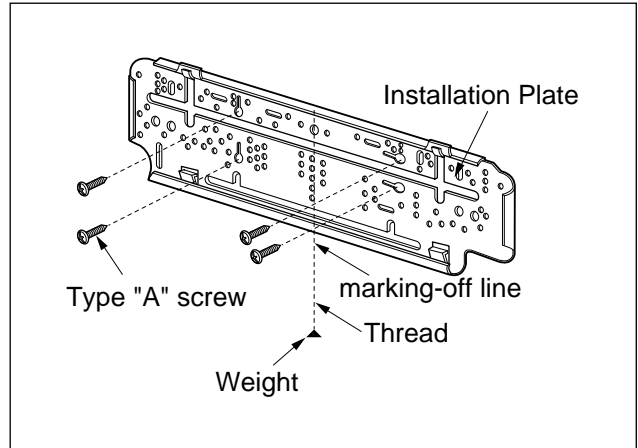
2) Indoor Unit Installation

The mounting wall should be strong and solid enough to protect it from the vibration.

1. Mount the installation plate on the wall with four Type "A" screws.

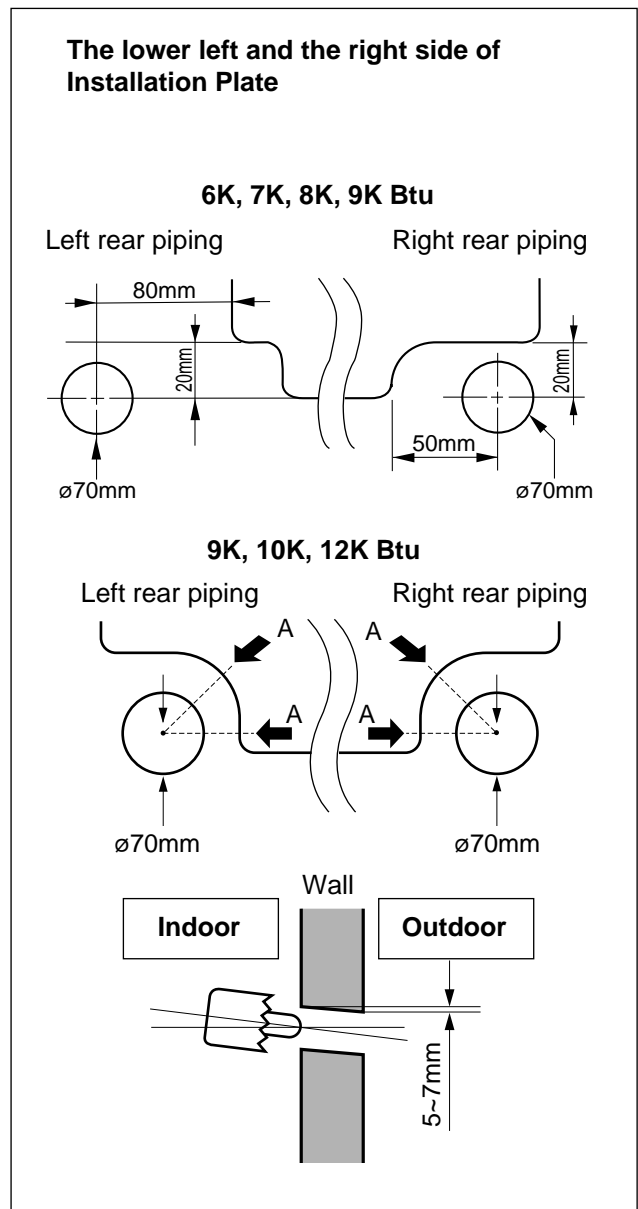
(If mounting the unit on the concrete wall, consider using anchor bolts.)

- Always mount the Installation plate horizontally by aligning the marking-off line by means of the thread and a level.



2. Drill the piping hole with 70mm dia. holecore drill.

- Line according to the arrows marked on lower the left and the right side of the Installation Plate. The meeting point of the extended line is the center of the hole.
- Drill the piping hole at either the right or the left and the hole should be slightly slant to the outdoor side.

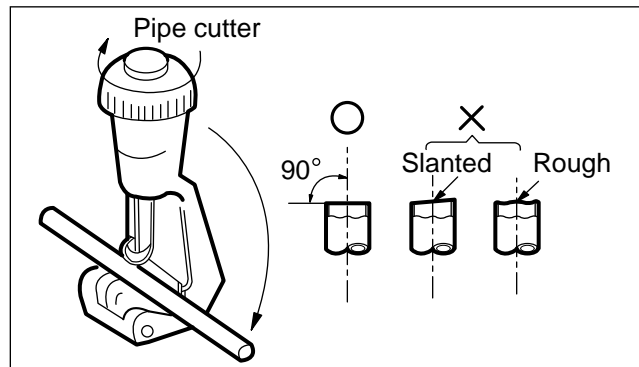


(2) Piping and Drainage of Indoor Unit

1) Preparation of pipings

1. Cut the pipes and the cable.

- Use the accessory piping kit or the pipes purchased locally.
- Measure the distance between the indoor and the outdoor unit.
- Cut the pipes a little longer than the measured distance.
- Cut the cable 1.5m longer than the length of the pipe.

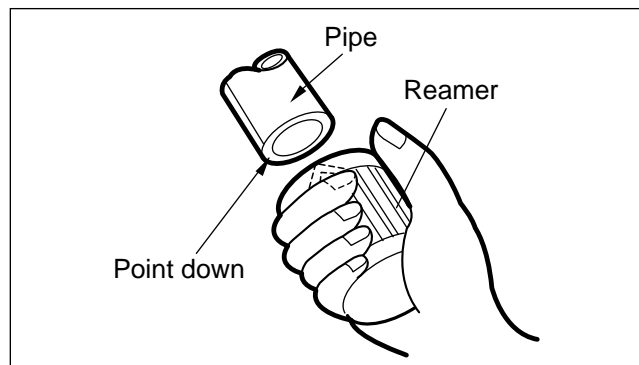


2. Remove burrs.

- Remove burrs from cut edges of pipes.
- Turn the pipe end toward down to avoid the metal powder entering the pipe.

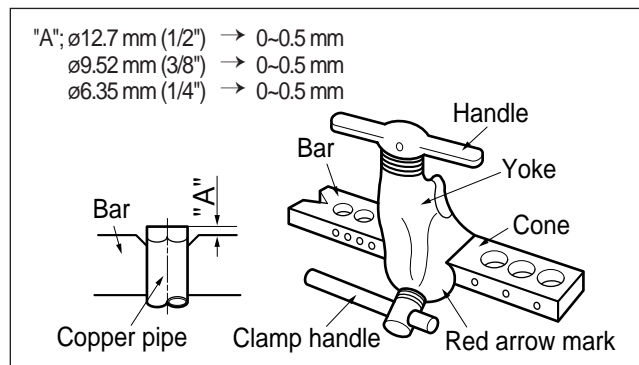
Caution:

If burrs are not removed, they may cause a gas leakage.

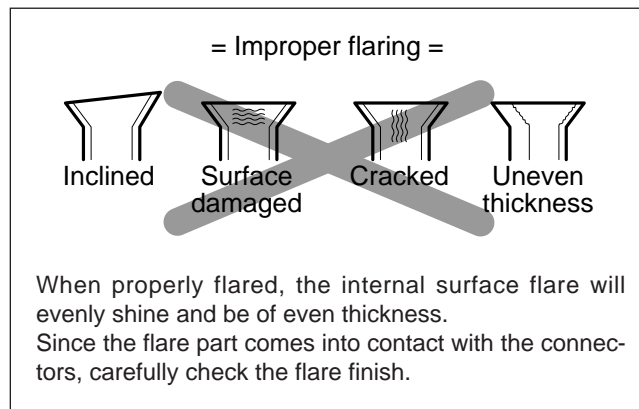


3. Flaring the pipes.

- Insert the flare nuts, mounted on the connection ports of both indoor and outdoor unit, onto the copper pipes. Some refrigerant gas may leak, when the flare nuts are removed from the indoor unit, as some gas is charged to prevent the inside of the pipe from rusting.
- Fit the copper pipe end into the Bar of flare tool about 0~0.5mm higher. (See illustration)
- Flare the pipe ends.



4. Tape the flaring portion to protect it from the dust or damages.

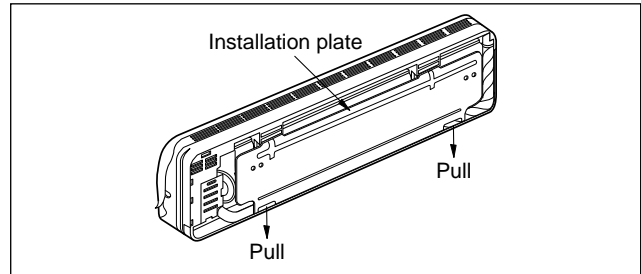


2) Connection of Pipings

1. Remove the installation plate

- Pull the two 'Δ' marked portion of bottom of the chassis and pull the installation plate out of chassis.

2. Route the drain hose and the indoor tubing.

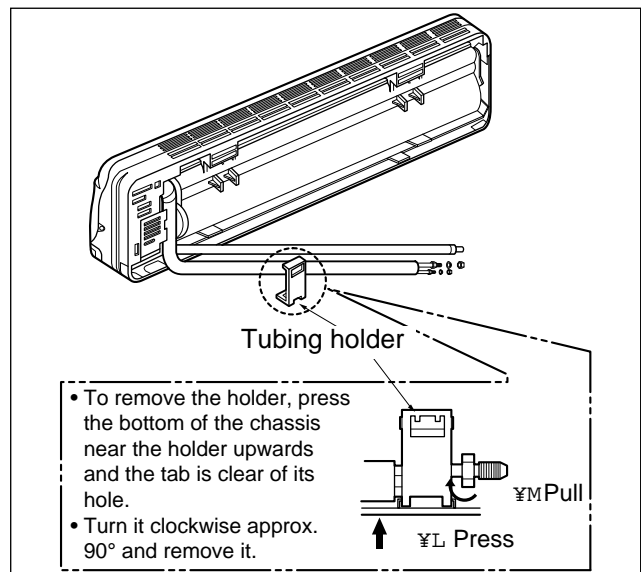


For left rear piping

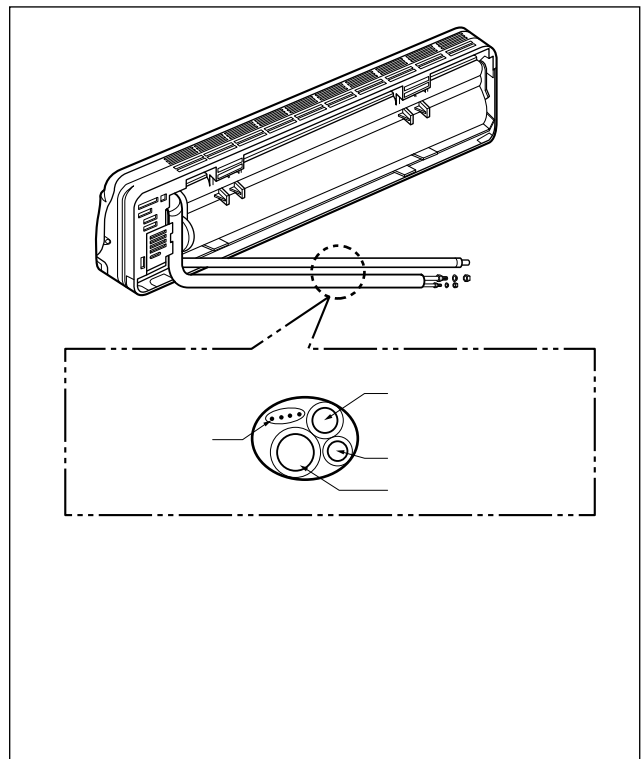
3. Route the tubing and the drain hose straight backwards(see figure).

4. Insert the connecting cable into the indoor unit through the piping hole.

- Do not connect the cable to the indoor unit.
- Make a small loop with the cable for easy connection later.

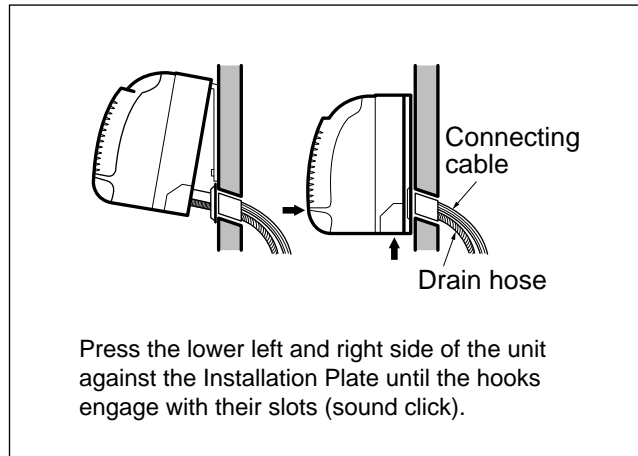


5. Tape the tubing, drain hose and the connecting cable. Be sure that drain hose locates at the lowest side of the bundle. Locating at the upper side can be a reason that drain water overflows drain pan inside the unit.



6. Indoor unit installation.

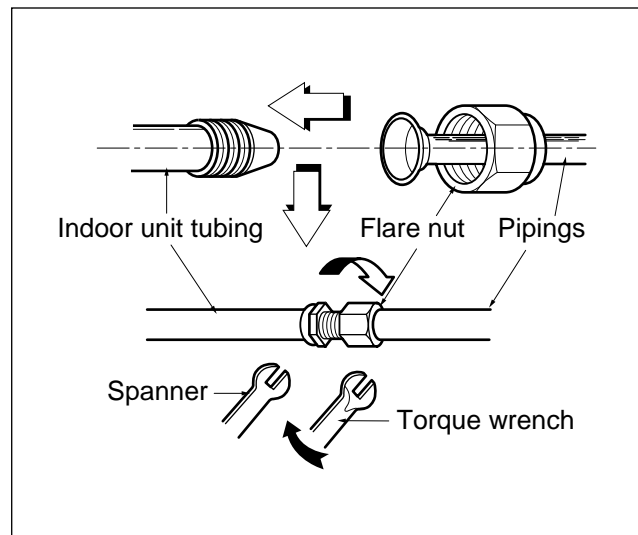
- Hook the indoor unit onto the upper position of the installation plate. (Engage the two hooks of the rear top of the indoor unit with the upper edge of the installation plate.) Ensure the hooks are properly seated on the installation plate by moving it in left and right.



7. Connecting the pipings to the indoor unit.

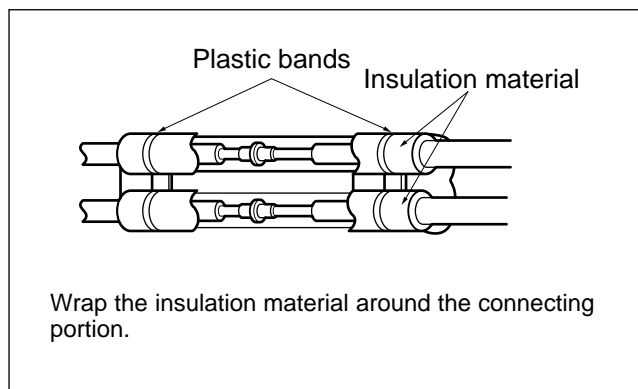
- Align the center of the pipings and sufficiently tighten the flare nut with fingers.
- Finally, tighten the flare nut with torque wrench until the wrench clicks. Wrench tightening the flare nut with forque wrench, ensure the direction for tightening follows the arrows on the wrench.

Pipe Size	Torque
Liquid Side (1/4")	1.8kg _i /m
Gas Side (3/8")	4.2kg _i /m
Gas Side (1/2")	5.5kg _i /m



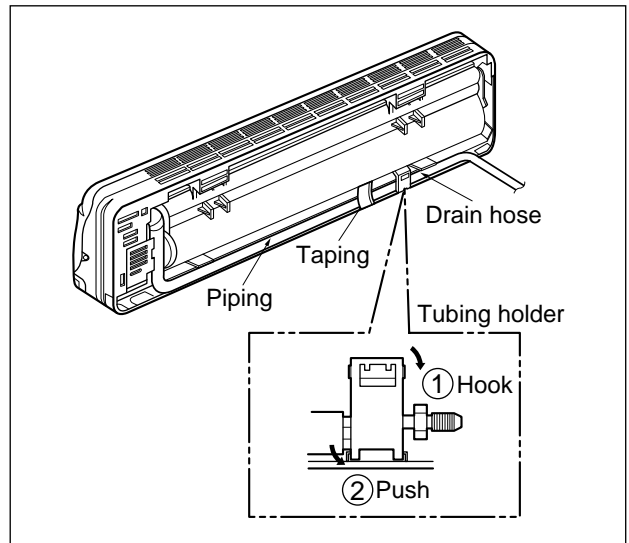
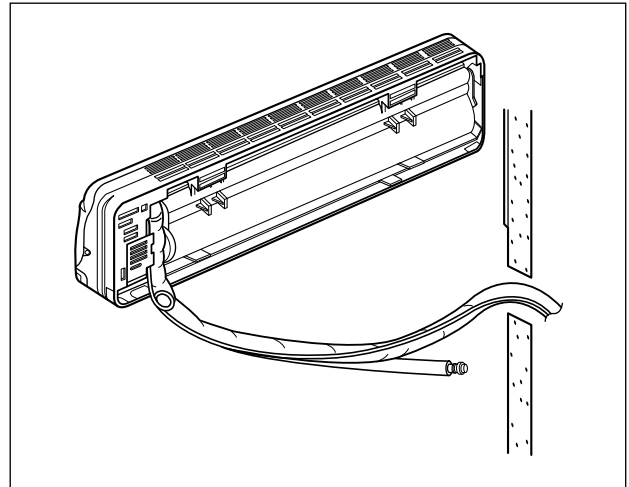
8. Wrap the insulation material around the connecting portion.

CAUTION: Take care to arrange the pipings, drain hose and cables as the right upper picture for inserting it into the indoor unit and refixing the tubing holder easily.



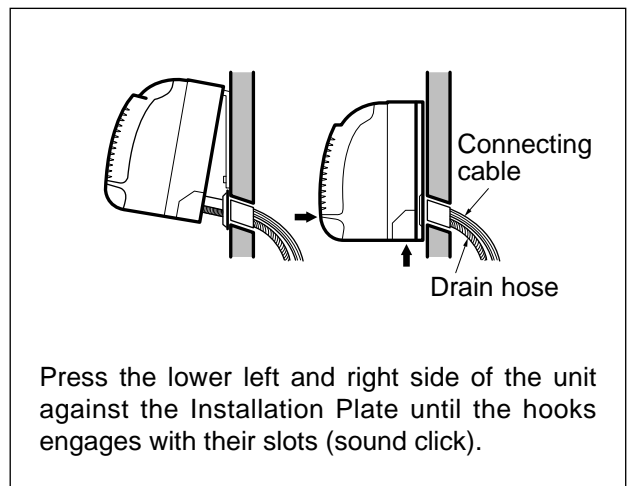
9. Set the pipings and the connecting cable to the back of the chassis with the tubing holder.

- Hook the edge of tubing holder to tap on chassis and push the bottom of tubing holder to be engaged in the bottom of chassis.



10. Indoor unit installation.

- Hook the indoor unit onto the upper portion of installation plate. (Engage the two hooks of the rear top of the indoor unit with the upper edge of the installation plate.)
Ensure the hooks are properly seated on the installation plate by moving it in left and right.

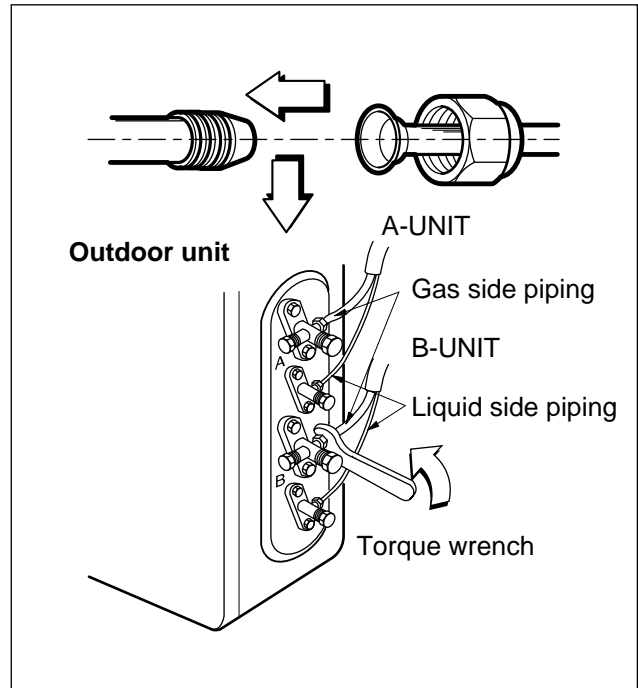


(3) Connecting Pipings and the cable to Outdoor unit

1) Connecting the pipings to the Outdoor unit

1. Align the center of the pipings and sufficiently tighten the flare nut with fingers.
2. Finally, tighten the flare nut with torque wrench until the wrench clicks.
 - When tightening the flare nut with torque wrench, ensure the direction for tightening follows the arrow on the wrench.

Pipe Size	Torque
Liquid Side (1/4")	1.8kg·m
Gas Side (3/8")	4.2kg·m
Gas Side (1/2")	5.5kg·m



CAUTION

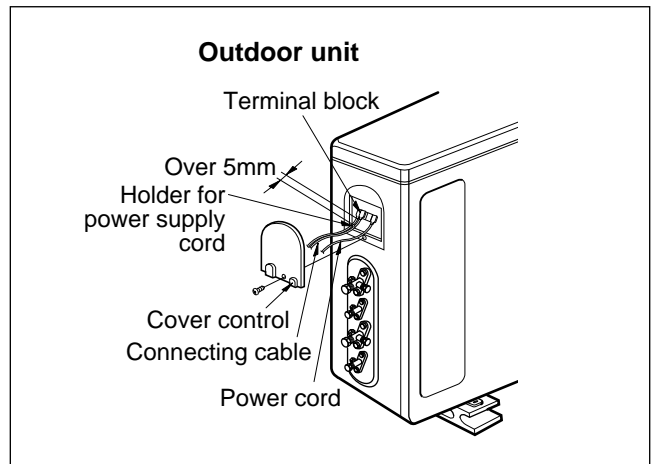
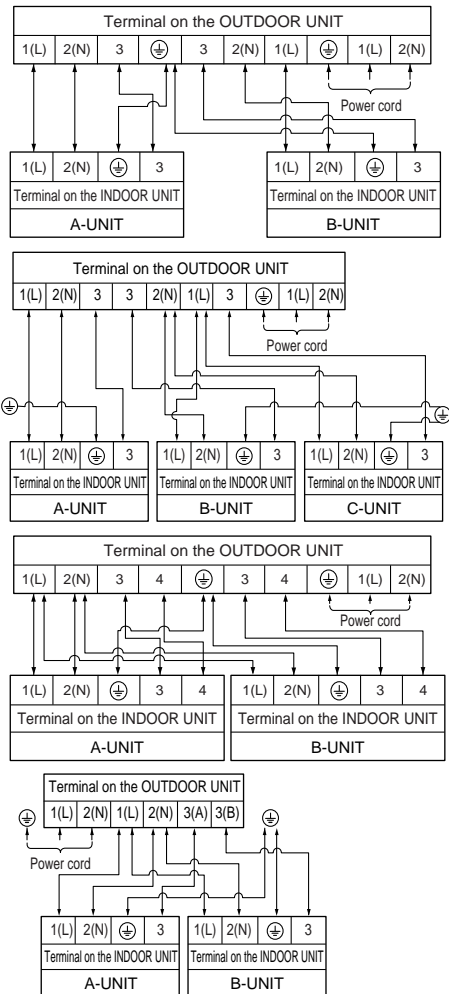
After the confirmation of the above conditions, prepare the wiring as follows:

- 1) Never fail to have an individual power specialized for the air conditioner. As for the method of wiring, be guided by the circuit diagram pasted on the inside of control box cover.
- 2) The means for disconnection from a power supply shall be incorporated in the fixed wiring and have an air gap contact separation of at least 3mm in each active(phase) conductors.
- 3) The screw which fasten the wiring in the casing of electrical fittings are liable to come loose from vibrations to which the unit is subjected during the course of transportation. Check them and make sure that they are all tightly fastened. (If they are loose, it could give rise to burn-out of the wires.)
- 4) Specification of power source.
- 5) Confirm that electrical capacity is sufficient.
- 6) See to that the starting voltage is maintained at more than 90 percent of the rated voltage marked on the name plate.
- 7) Confirm that the cable thickness is as specified in the power sources specification. (Particularly note the relation between cable length and thickness.)
- 8) Never fail to equip a leakage breaker where it is wet or moist.
- 9) The following troubles would be caused by voltage drop-down.
 - Vibration of a magnetic switch, damage on the contact point there of, fuse breaking, disturbance to the normal function of a overload protection device.
 - Proper starting power is not given to the compressor.

2) Connection of the cable

1. Remove the cover control from the unit by loosening the screw.

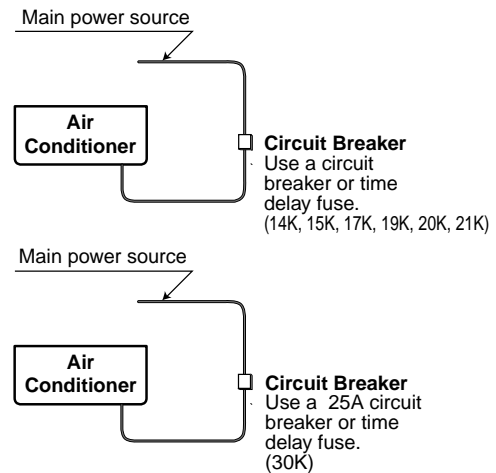
Connect the wires to the terminals on the control board individually as the following.



2. Secure the cable onto the control board with the holder (clammer).
3. Refix the cover control to the original position with the screw.
4. Use a recognized circuit breaker between the power source and the unit. A disconnection device to adequately disconnect all supply lines must be fitted.

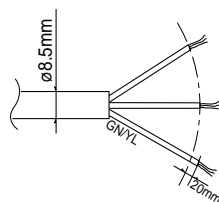
Caution

If a power plug is not to be used, provide a circuit breaker between power source and the unit as shown below.



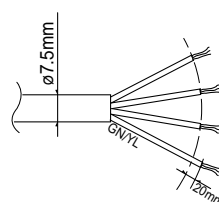
CAUTION

The power cord connected to the outdoor unit should be complied with the following specifications (Rubber insulation, type H05RN-F approved by HAR or SAA).



NORMAL CROSS-SECTIONAL AREA
2.5mm² or 3.5mm²

The connecting cable connected to the indoor and outdoor unit should be complied with the following specifications (Rubber insulation, type H07RN-F approved by HAR or SAA).



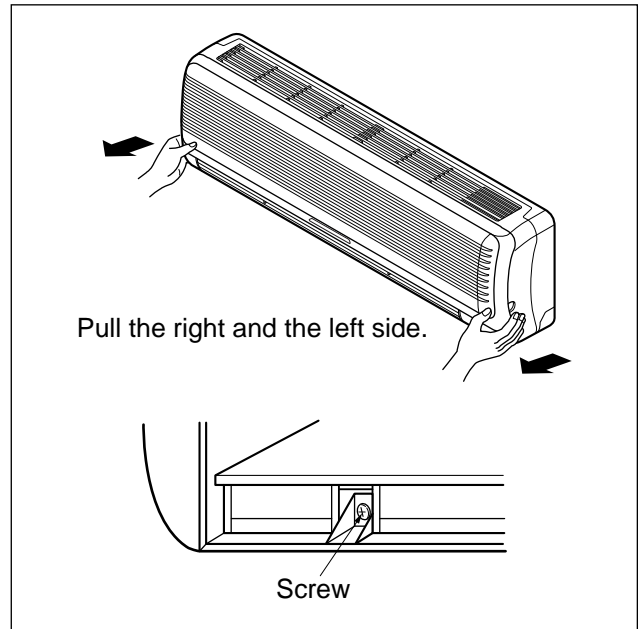
NORMAL CROSS-SECTIONAL AREA
0.75mm²

(4) Checking the Drainage and Pipe forming

1) Checking the Drainage

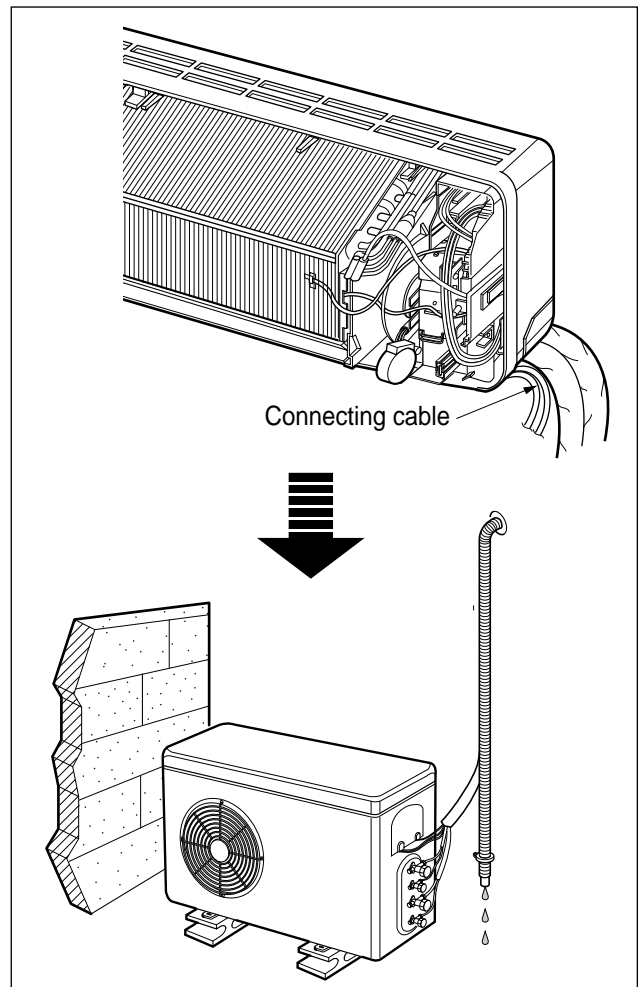
1. Remove the Grille from the cabinet

- Set the up-and-down air direction louver to open position(horizontally) by finger pressure.
- Remove the securing screws.
- To remove the Grille, pull lower the left and right side of the grille toward you (slightly tilted) and lift it straight upward.



2. Check the drainage

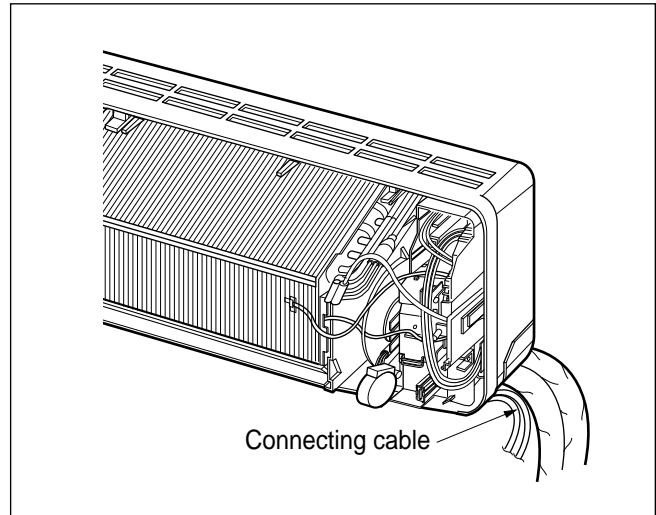
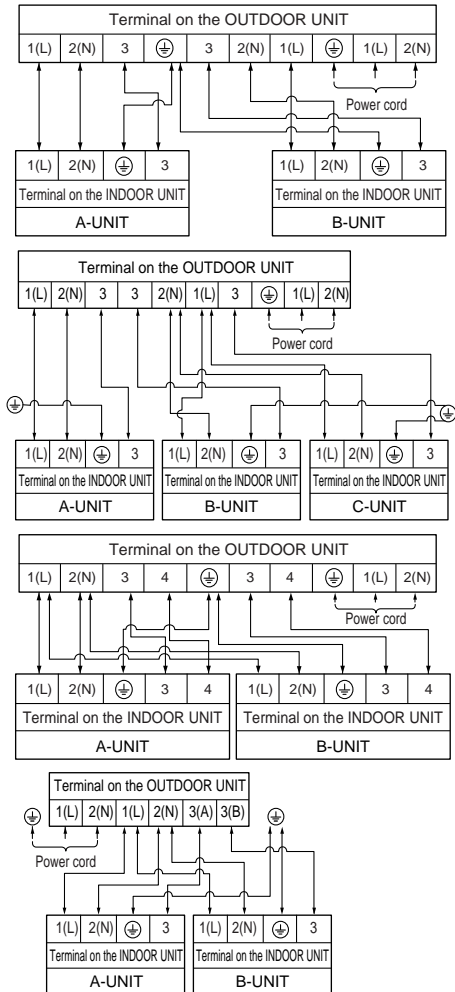
- Pour a glass of water on the evaporator.
- Ensure if water flows drain hose of indoor unit without any leakage.



2) Connect the cable to the indoor unit

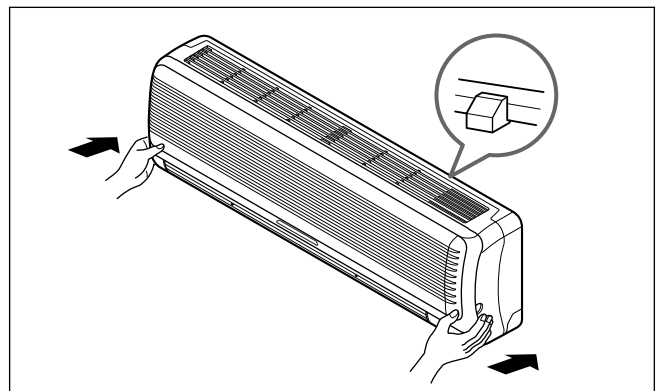
1. Connect the wires to the terminals on the control board individually according to the outdoor unit connection.

- Ensure that the color of the wires of outdoor unit and the terminal No. are the same as those of indoor unit respectively.



2. Attach the Grille onto the cabinet.

- Grasp lower the left and right side of the Grille and engage four tabs on the top inside edge of the chassis.
- Press the Grille toward the chassis until it will be back into place.



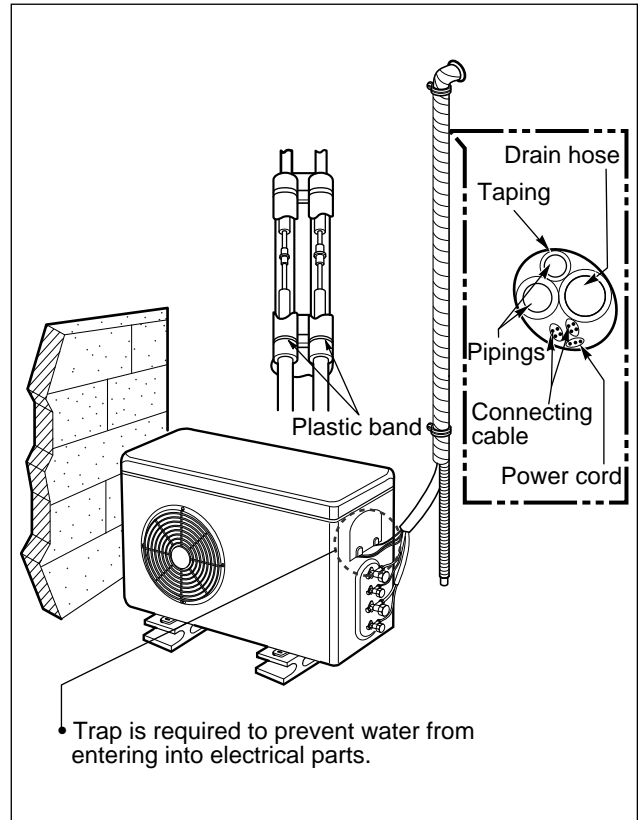
3) Form the pipings

1. Wrap the connecting portion of indoor unit with the Insulation material and secure it with two Plastic Bands (for the left pipings).

- If you want to connect an additional drain hose, the end of the drain-outlet should keep distance from the ground. (Do not dip it into water, and fix it on the wall to avoid swinging in the wind.)

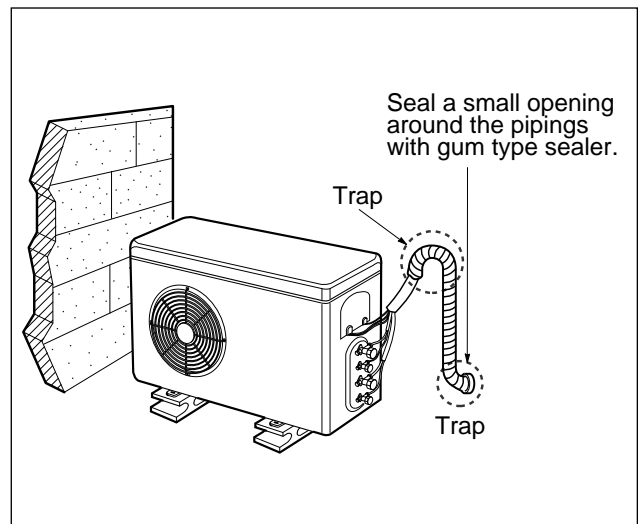
In case of the Outdoor unit is installed bellow position of the Indoor unit.

2. Tape the Pipings, drain hose and Connecting Cable from down to up.
3. Form the pipings gathered by taping along the exterior wall and fix it onto the wall by saddle or equivalent.



In case of the Outdoor unit is installed upper position of the Indoor unit.

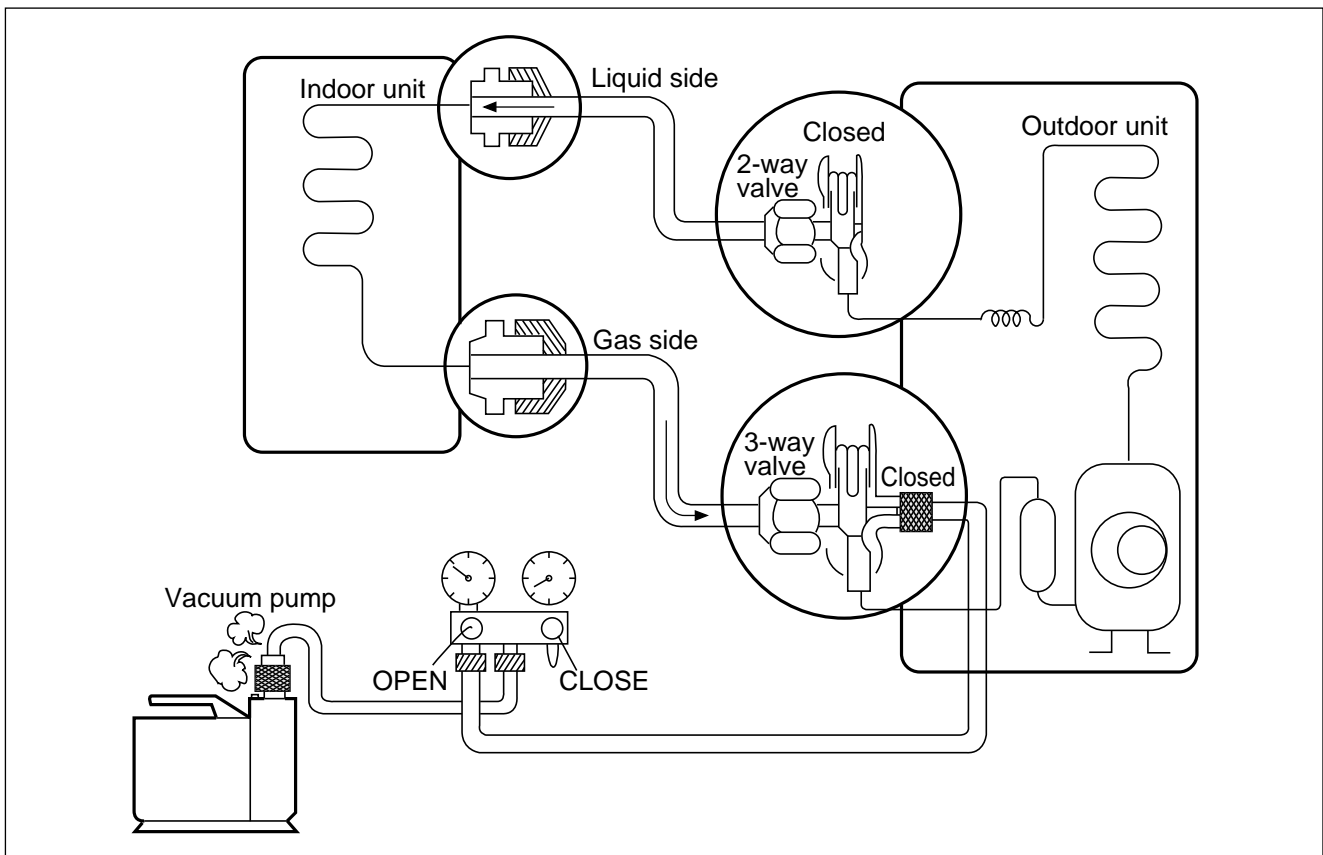
1. Tape the Pipings and Connecting cable from down to up.
2. Form the pipings gathered by taping along the exterior wall and the Trap to be required to prevent the room from entering the water.
3. Fix the pipings onto the wall by saddle or equivalent.



(5) Air Purging of the Pipings and indoor unit

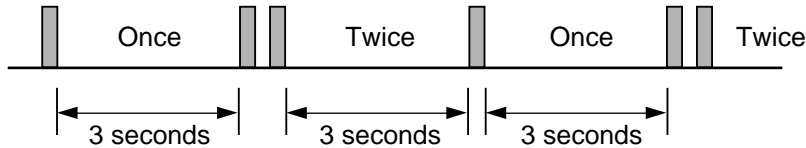
The air which contains moisture remaining in the is refrigeration cycle may cause a malfunction on the compressor.

1. Confirm that both the liquid side valve and the gas side valve are set to the closed position.
2. After connecting the piping, check the joints for gas leakage with gas leak detector.
3. Remove the service port nut, and connect the gauge manifold and the vacuum pump to the service port by the charge hose.
4. Vacuum the indoor unit and the connecting pipes until the pressure in them lowers to below-76cmHg.
5. Disconnect the charge hose and fit the nut to the service port.
(Tightening torque: 1.8kg-m)
6. Remove the valve stem nuts, and fully open the stems of the 2-way and 3-way valves with a hexagon wrench.
7. Tighten the valve stem nuts of the 2-way valve and 3-way valve.



(6) Preventive function of cable mis-connection(Cooling & Heating)

This product has a preventive function of cable mis-connection. In case of mis-connection (in case that the cables between indoor and outdoor units have not been connected properly), it gives a warning signal of LED flickering 3 minutes after starting operation. (Press the forced operation key more than 3 seconds.)



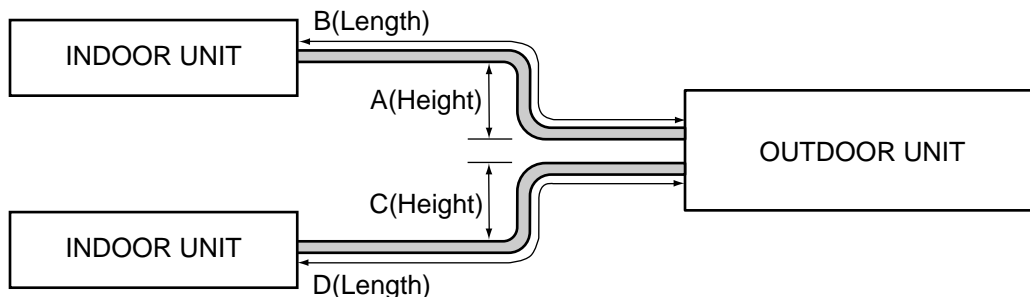
CAUTION

Don't turn on all the indoor units all at once when you check the connection status. In that case the sensor can not be operated properly.

(7) Maximum Length of Pipe and Freon Extra Charge

Charge amount per 1m

Capacity (Btu/h)	STANDARD LENGTH(m)	CONNECTION TYPE				Charge am't(g) per 1m
		A	B	C	D	
~7000	7.5	7	15	7	15	20
~9000	7.5	7	15	7	15	20
~12000	7.5	7	15	7	15	20
~18000	7.5	7	15	7	15	40
~24000	7.5	7	15	7	15	40



** A, B mean indoor unit higher located than outdoor unit.
C, D mean outdoor unit higher located than indoor unit.

(8) Test running

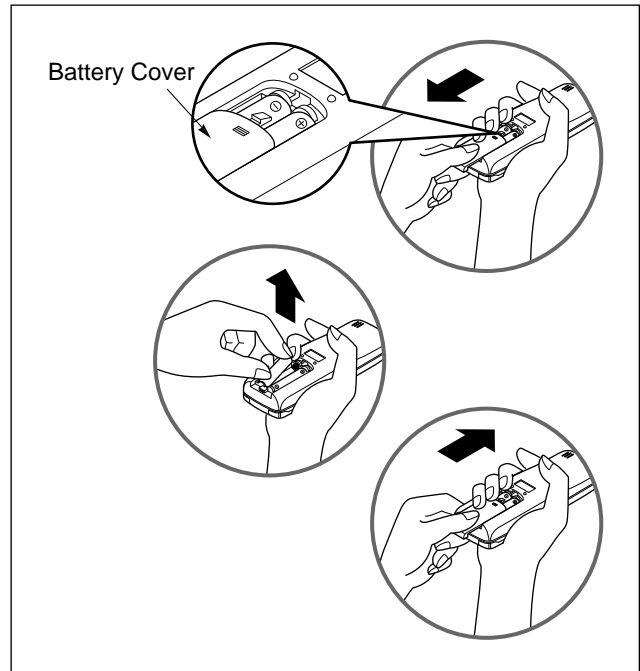
1) Connection of power supply

1. Connect the power supply cord to the independent power supply.

2. Prepare the remote control.

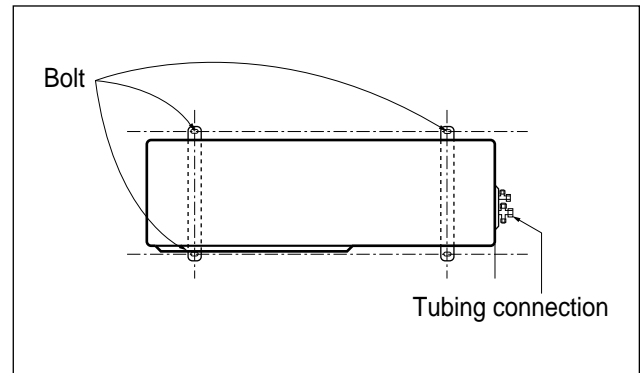
- Insert two batteries provided.
Remove the battery cover from the remote controller.
- Slide the cover according to the arrow direction.
Insert the two batteries.
(Two "R03" or "AAA" dry-cell batteries or equivalent.)
- Be sure that the (+) and (-) directions are correct.
- Be sure that both batteries are new.
Re-attach the cover.
- Slide it back into position.

3. Operate the unit at cooling operation mode for fifteen minutes or more.



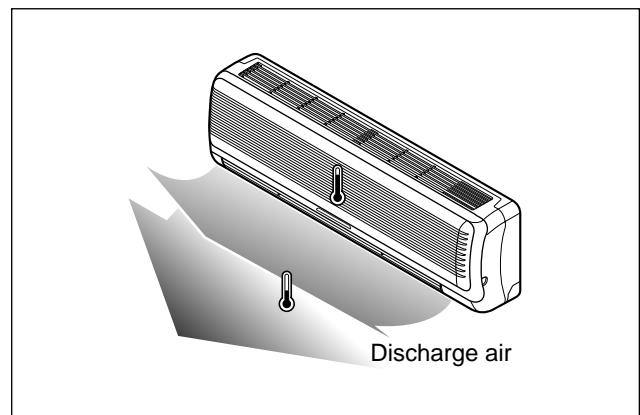
Settlement of Outdoor Unit

- Anchor the outdoor unit with a bolt and nut ($\varnothing 10\text{cm}$) tightly and horizontally on a concrete or rigid mount.
- When installing on the wall, roof or rooftop, anchor the mounting base securely with a nail or wire assuming the influence of wind and earthquake.
- In the case when the vibration of the unit is conveyed to the house, settle the unit with an anti-vibration rubber.



2) Evaluation of the performance

1. Measure the temperature of the intake and discharge air.
2. Ensure the difference between the intake temperature and the discharge one is more than 8°C .



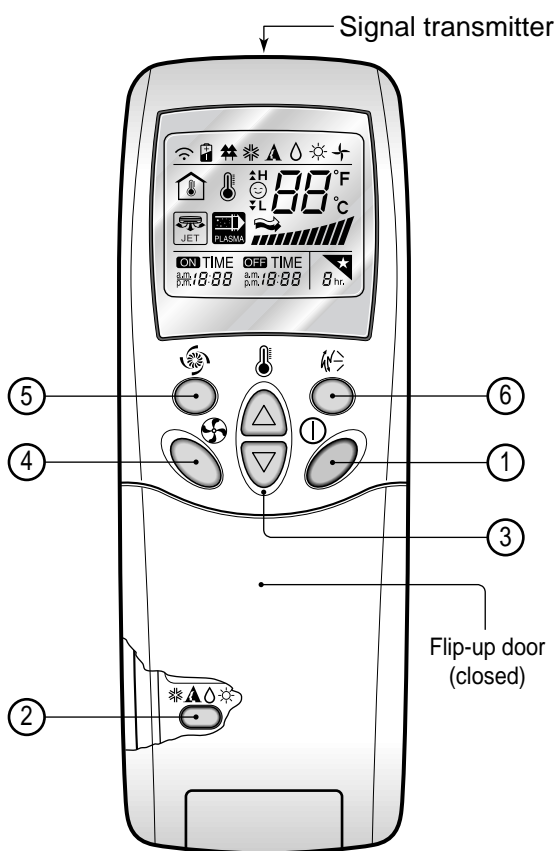
Operation

(1) Name and Function-Remote Control (Door Closed)

Remote Control

Signal transmitter

Transmits the signals to the room air conditioner.



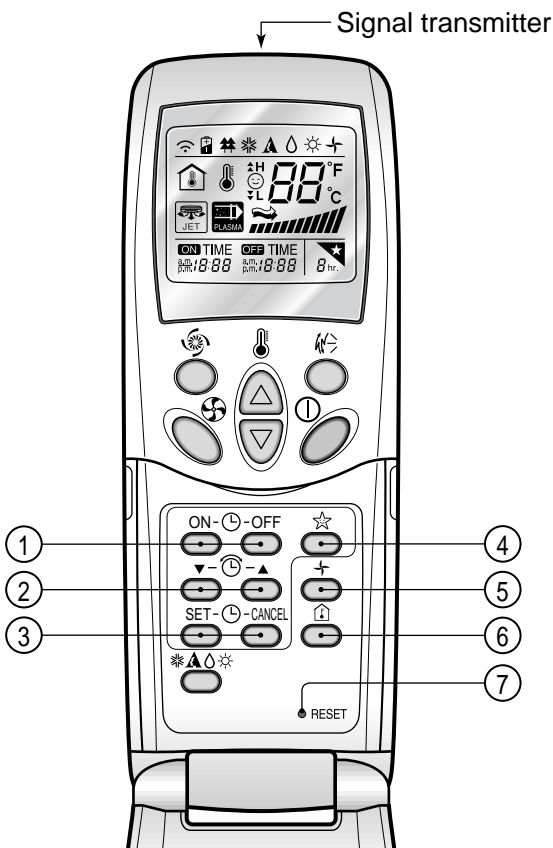
- 1 START/STOP BUTTON**
Operation starts when this button is pressed and stops when the button is pressed again.
- 2 OPERATION MODE SELECTION BUTTON**
Used to select the operation mode.
- 3 ROOM TEMPERATURE SETTING BUTTONS**
Used to select the room temperature.
- 4 INDOOR FAN SPEED SELECTOR**
Used to select fan speed in four steps low, medium, high, or CHAOS.
- 5 JET COOL**
Used to start or stop the speed cooling. (Speed cooling operates super high fan speed in cooling mode.)
- 6 CHAOS SWING BUTTON**
Used to stop or start louver movement and set the desired up/down airflow direction.

(2) Name and Function-Remote Control (Door Opened)

Remote Control

Signal transmitter

Transmits the signals to the room air conditioner.



- 1 ON/OFF TIMER BUTTONS**
Used to set the time of starting and stopping operation.
- 2 TIME SETTING BUTTONS**
Used to adjust the time.
- 3 TIMER SET/CANCEL BUTTONS**
Used to set the timer when the desired time is obtained and to cancel the Timer operation.
- 4 SLEEP MODE AUTO BUTTON**
Used to set Sleep Mode Auto operation.
- 5 AIR CIRCULATION BUTTON**
Used to circulate the room air without cooling or heating (turns indoor fan on/off).
- 6 ROOM TEMPERATURE CHECKING BUTTON**
Used to check the room temperature.
- 7 RESET BUTTON**
Used prior to resetting time or after replacing batteries.

Disassembly of the parts (Indoor unit)

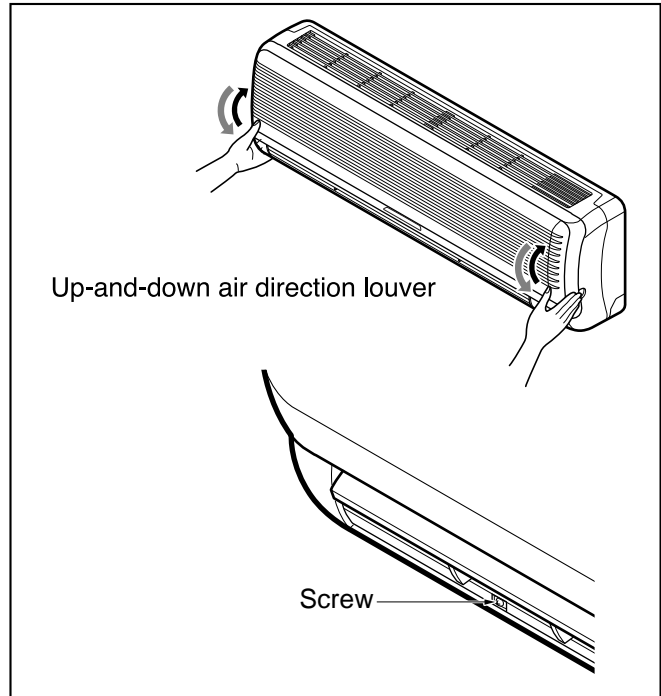
Warning :

Disconnect the unit from power supply before making any checks.

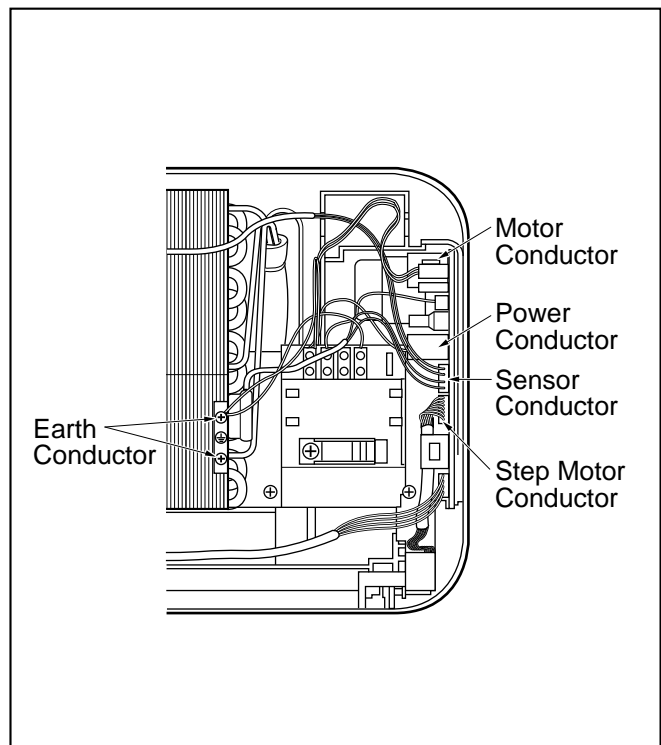
Be sure the power switch is set to "OFF".

To remove the Grille from the Chassis.

- Set the up-and-down air discharge louver to open position (horizontally) by finger pressure.
- Remove the securing screws
- To remove the Grille, pull the lower left and right side of the grille toward you (slightly tilted) and lift it straight upward.

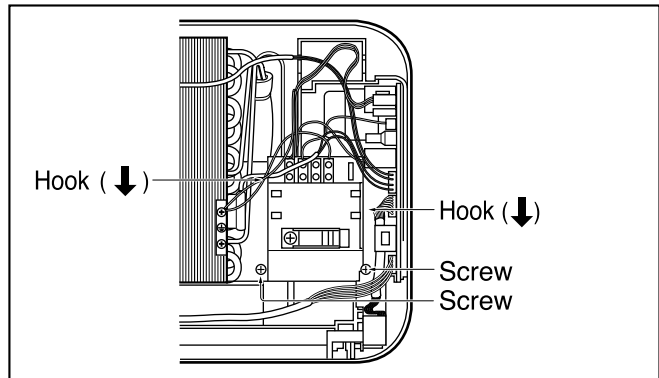


1. To remove the sensor, housing connect, earth conductor & step motor conductor with sensor holder, Motor, Evaporator & P.C.B.



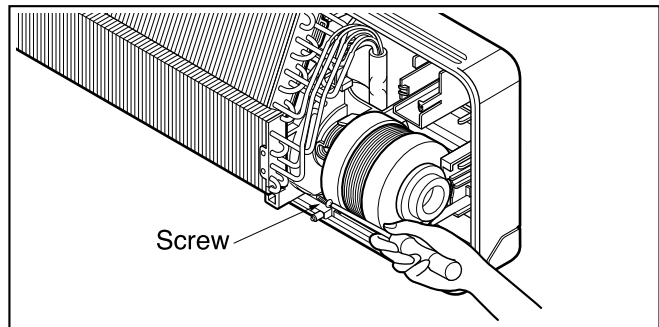
2. To remove the Control Box.

- Remove securing screws.
- Pull the control box out from the chassis carefully.



3. To remove the Discharge Grille.

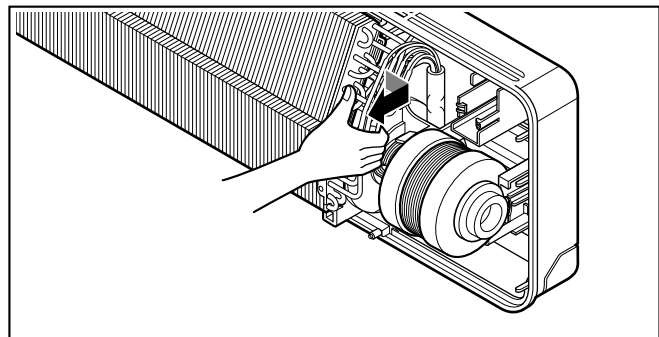
- Pull the discharge grille out from the chassis carefully.



4. To remove the Evaporator.

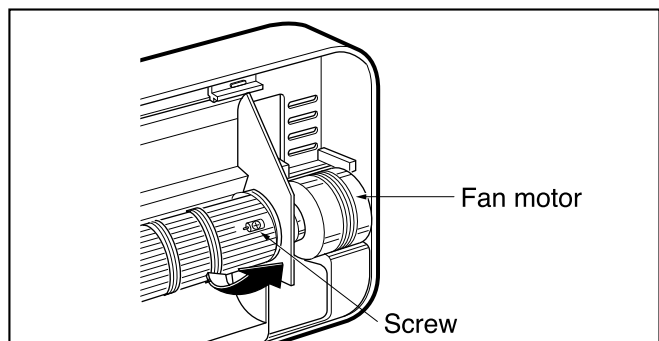
- Remove screws securing the evaporator and the holder eva.

- Unhook the tab on the right inside of the chassis at the same time, slightly pull the evaporator toward you until the tab is clear of the slot.

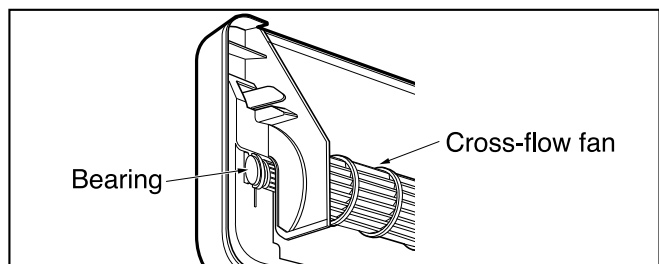


5. To remove the Cross-Flow Fan

- Loosen the screw securing the cross-flow fan to the fan motor (do not remove).
- Lift up the right side of the cross-flow fan and the fan motor, separate the fan motor from the cross-flow fan.



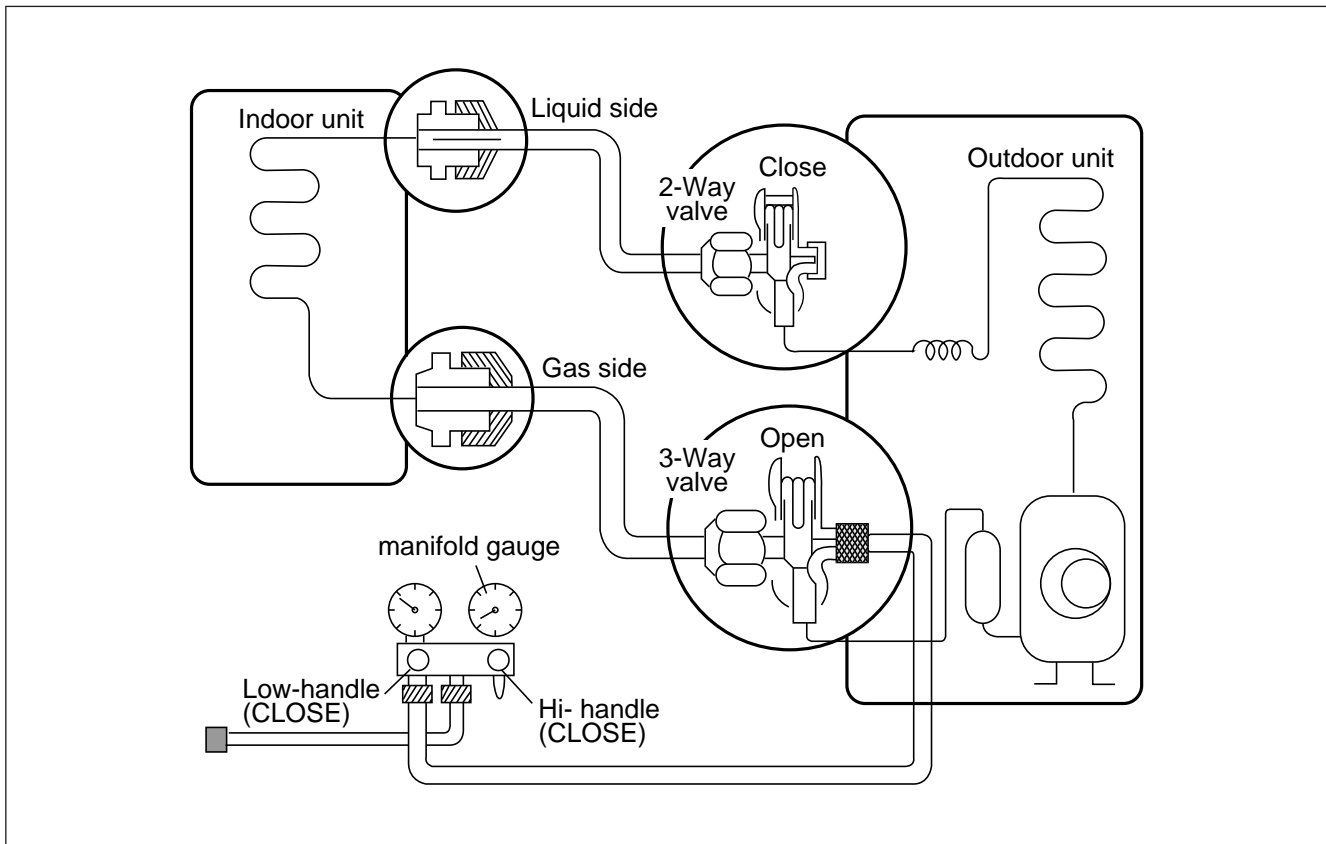
- Remove the left end of the cross-flow fan from the self-aligning bearing.



2-way, 3-way Valve

		2-way Valve (Liquid Side)	3-way Valve (Gas Side)	
Works		Shaft position	Shaft position	Service port
Shipping		Closed (with valve cap)	Closed (with valve cap)	Closed (with cap)
1.	Air purging (Installation)	Open (counter-clockwise)	Closed (clockwise)	Open (push-pin or with vacuum pump)
Operation		Open (with valve cap)	Open (with valve cap)	Closed (with cap)
2.	Pumping down (Transferring)	Closed (clockwise)	Open (counter-clockwise)	Open (connected manifold gauge)
3.	Evacuation (Servicing)	Open	Open	Open (with charging cylinder)
4.	Gas charging (Servicing)	Open	Open	Open (with charging cylinder)
5.	Pressure check (Servicing)	Open	Open	Open (with charging cylinder)
6.	Gas releasing (Servicing)	Open	Open	Open (with charging cylinder)

(1) Pumping down

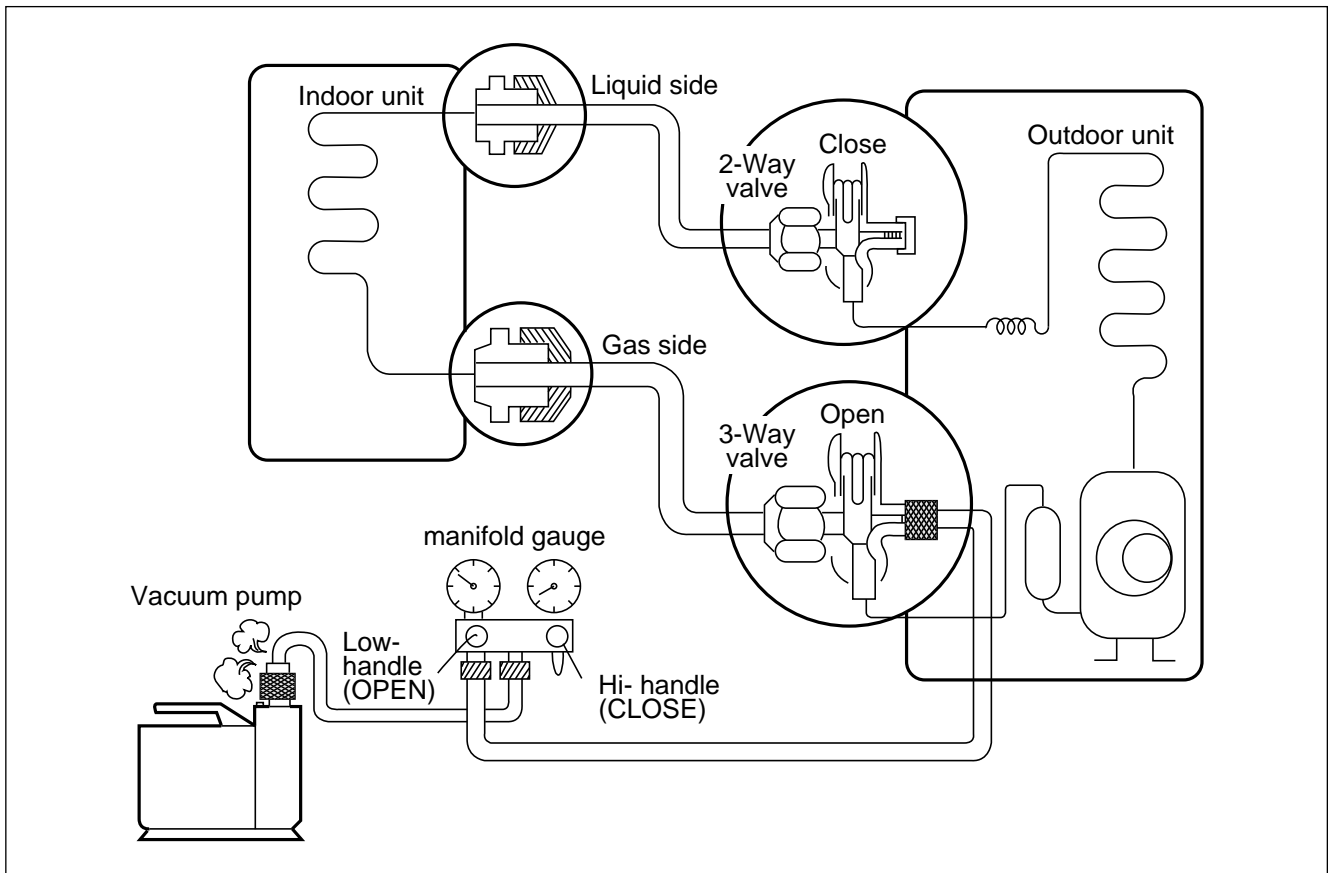


• Procedure

- 1. Confirm that both the gas side and liquid side valves are set to the open position.**
 - Remove the valve stem caps and confirm that the valve stems are in the raised position.
 - Be sure to use a hexagonal wrench to operate the valve stems.
- 2. Operate the unit for 10 to 15 minutes.**
- 3. Stop operation and wait for 3 minutes, then connect the manifold gauge to the service port of the gas side valve.**
 - Connect the hose of the gauge with the push pin to the service port.
- 4. Air purging of the charge hose.**
 - Open the Low-handle valve on the gauge slightly to air purge from the hose.
- 5. Set the liquid side valve to the closed position.**
- 6. Operate the air conditioner at the cooling cycle and stop it when the gauge indicates 1kg/cm²g.**
- 7. Immediately set the gas side valve to the closed position.**
 - Do this quickly so that the gauge ends up indicating 1kg/cm²g.
- 8. Disconnect the charge set, and mount the liquid side and gas side valve caps and the service port nut.**
 - Use torque wrench to tighten the service port nut to a torque of 1.8kg.m.(4.2kg.m/5.5kg.m)
 - Be sure to check for gas leakage.
- 9. Apply steps from 1 to 8 to each unit (A-unit, B-unit) by the same method.**

(2) Evacuation

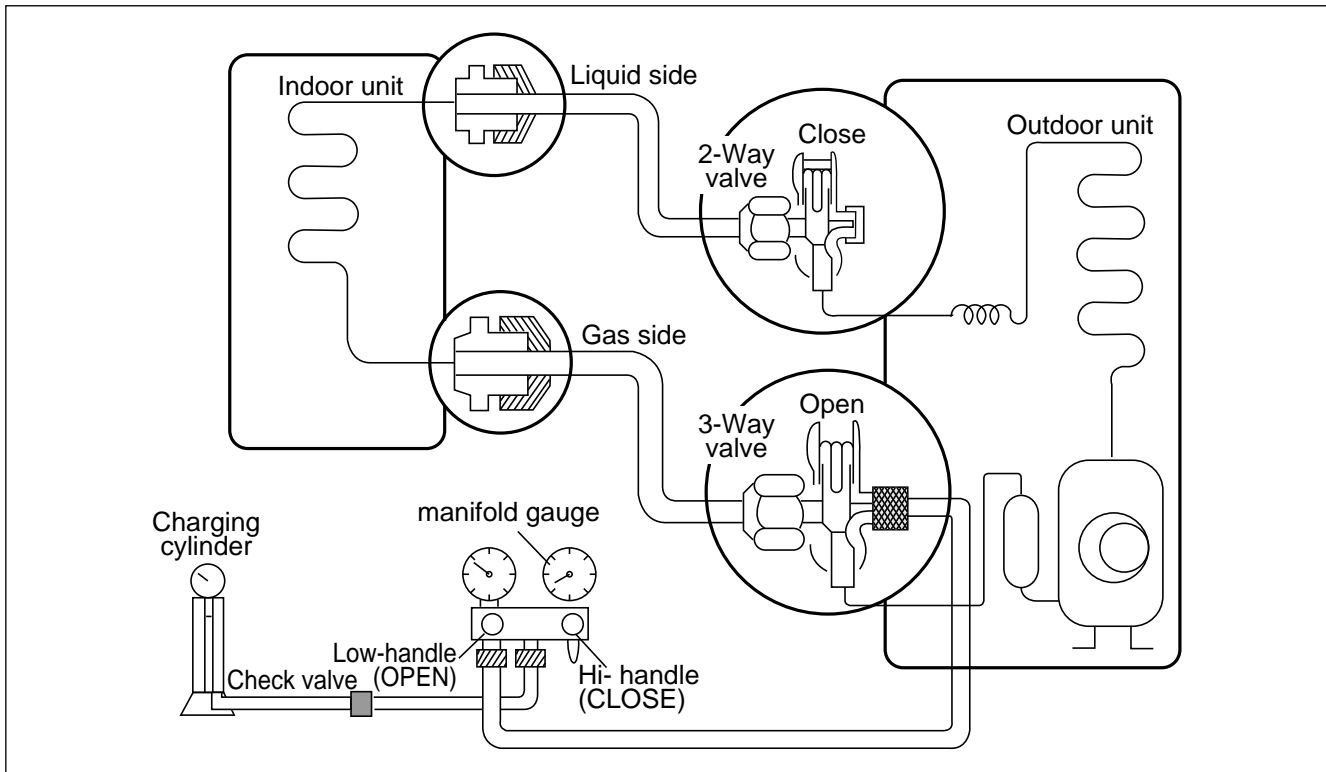
(All amount of refrigerant leaked)



• Procedure

1. Confirm that both the liquid side valve and gas side valve are set to the opened position.
2. Connect the vacuum pump to the center hose of the manifold gauge.
3. Connect the service port of the gas side valve to the low side of the gauge.
4. Evacuation for approximately one hour.
 - Confirm that the gauge needle has moved toward -76 cmHg (vacuum of 4 mmHg or less).
5. Close the Low handle of the gauge turn off the vacuum pump, and confirm that the gauge needle does not move (approximately 5 minutes after turning off the vacuum pump).
6. Disconnect the charge hose from the vacuum pump.
 - Vacuum pump oil.
 - If the vacuum pump oil becomes dirty or depleted, replenish as needed.
7. Mount the valve caps and the service port caps.
8. Apply steps from 1 to 7 to each unit (A-unit, B-unit) by the same method.

(3) Gas Charging (After Evacuation)



• Procedure

1. Connect the gauge to the charging cylinder.

- Connect the charge hose which you disconnected from the vacuum pump to the valve at the bottom of the cylinder.
- If you are using a gas cylinder, also use a scale and reverse the cylinder so that the system can be charged with liquid.

2. Purge the air from the charge hose.

- Open the valve at the bottom of the cylinder and press the check valve on the charge set to purge the air. (Be careful of the liquid refrigerant). The procedure is the same if using a gas cylinder.

3. Open the low handle on the gauge and charge the system with liquid refrigerant.

- If the system can not be charged with the specified amount of refrigerant, it can be charged with a little at a time (approximately 150g each time) while operating the air conditioner in the cooling cycle; however, one time is not sufficient, wait approximately 1 minute and then repeat the procedure (pumping down-pin).

4. Immediately disconnect the charge hose from the gas side valve's service port.

This is different from previous procedures. Because you are charging with liquid refrigerant from the gas side, absolutely do not attempt to charge with larger amounts of liquid refrigerant while operating the air conditioner.

- Stopping partway will allow the gas to be discharged.
- If the system has been charged with liquid refrigerant while operating the air conditioner turn off the air conditioner before disconnecting the hose.

5. Mount the valve stem nuts and the service port nut.

- Use torque wrench to tighten the service port nut to a torque of 1.8 kg.m.(4.2kg.m/5.5kg.m.)
- Be sure to check for gas leakage.

6. Apply steps from 1 to 5 to each unit (A-unit, B-unit) by the same method.

Cycle Troubleshooting Guide

Trouble analysis

1. Check temperature difference between intake and discharge air and operating current.

Temp. Difference	Temp. difference : approx. 0°C Current : less than 80% of rated current	All amount of refrigerant leaked out. Check refrigeration cycle.
	Temp. difference : approx. 8°C Current : less than 80% of rated current	Refrigerant leakage Clog of refrigeration cycle Defective compressor
Operating Current	Temp. difference : less than 8°C Current : over the rated current	Excessive amount of refrigerant
	Temp. difference : over 8°C	Normal

Notice:

Temperature difference between intake and discharge air depends on room air humidity. When the room air humidity is relatively higher, temperature difference is smaller. When the room air humidity is relatively lower temperature difference is larger.

2. Check temperature and pressure of refrigeration cycle.

Suction pressure (Compared with the normal value)	Temperature (Compared with the normal value)	Cause of Trouble	Description
Higher	High	Defective compressor Defective 4-way reverse valve	Current is low.
	Normal	Excessive amount of refrigerant	High pressure does not quickly rise at the beginning of operation.
Lower	Higher	Insufficient amount of refrigerant(Leakage) Clogging	Current is low. Current is low.

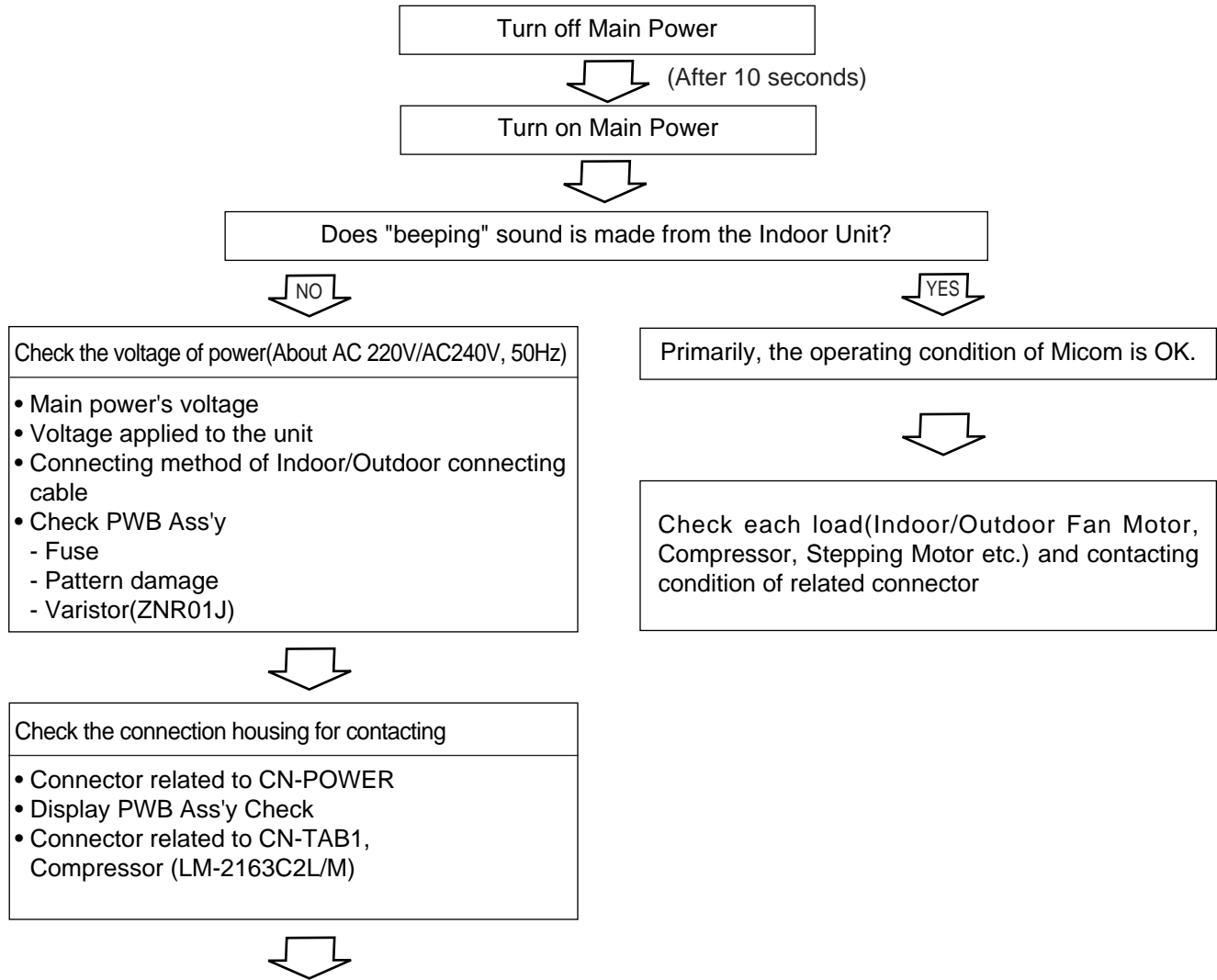
Notice:

1. The suction pressure is usually 4.5~6.0 kg/cm²G at normal condition.
2. The temperature can be measured by attaching the thermometer to the low pressure tubing and wrap it with putty.

Electronic Parts Troubleshooting Guide

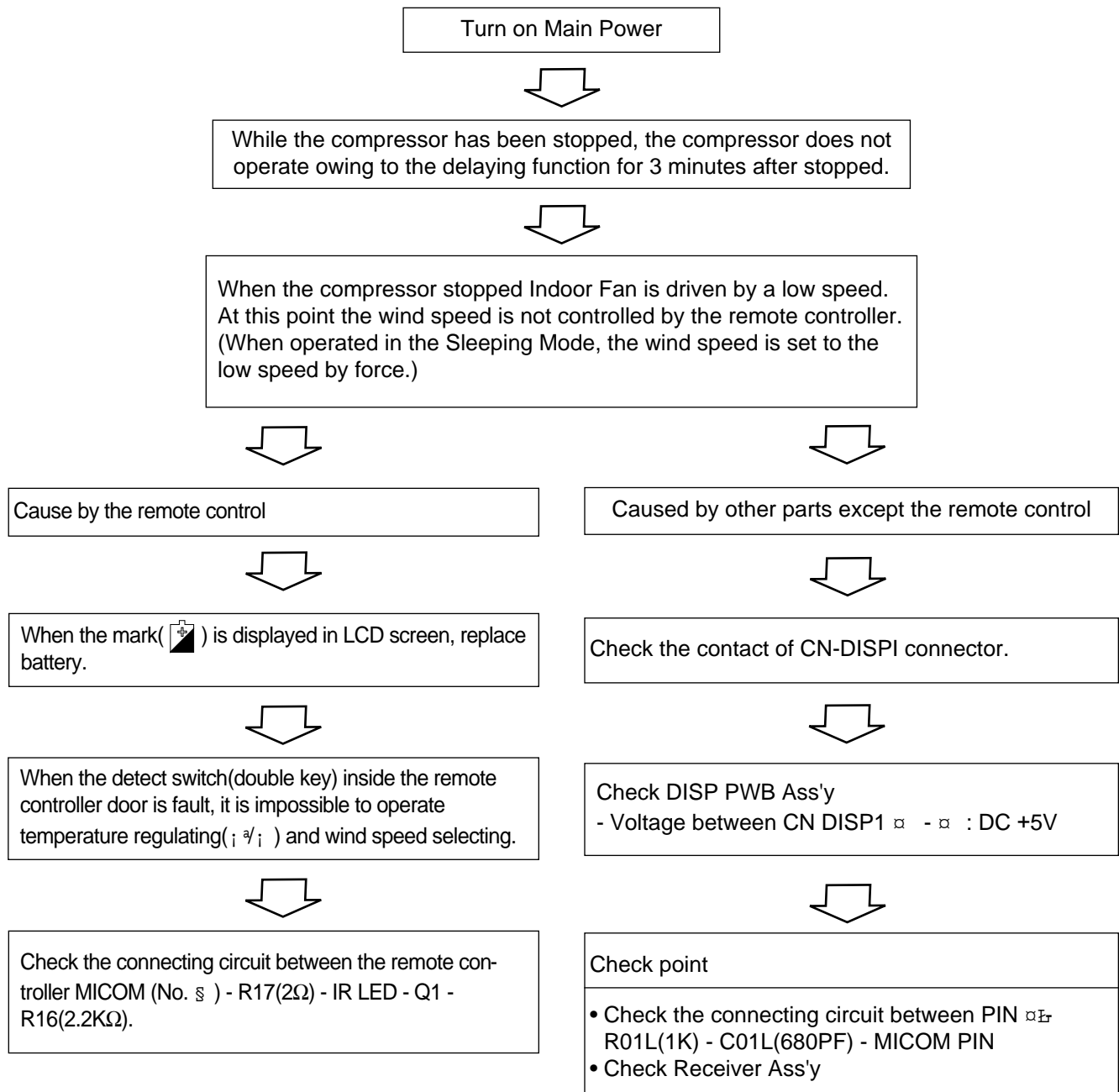
1. Product does not operate at all.

(* Refer to Electronic Control Device drawing and Schematic diagram.)

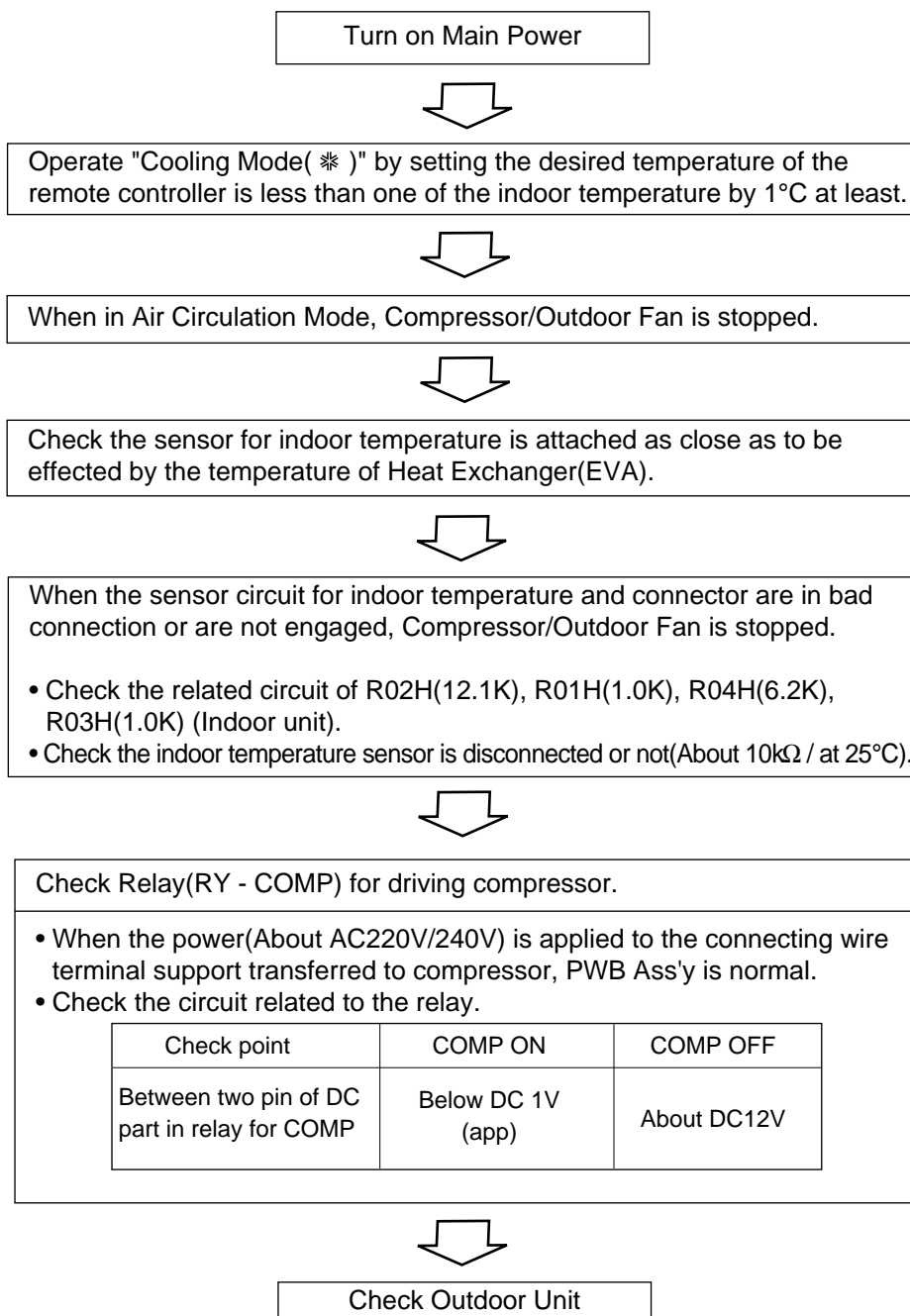


PCB Board Operation Check		
Items	Content	Remedy
<ul style="list-style-type: none"> • Power Transformer (Outdoor unit) <ul style="list-style-type: none"> - Input Voltage - Output Voltage 	<ul style="list-style-type: none"> - About AC220V/240V±10% - Check the power voltage - About AC14±3V 	<ul style="list-style-type: none"> • Replace Trans
<ul style="list-style-type: none"> • IC01D(7812) Output (Indoor/Outdoor unit) 	<ul style="list-style-type: none"> • DC +12V 	<ul style="list-style-type: none"> • Replace IC01D
<ul style="list-style-type: none"> • IC02D(7805) Output (Indoor/Outdoor unit) 	<ul style="list-style-type: none"> • DC +5V 	<ul style="list-style-type: none"> • Replace IC02D
<ul style="list-style-type: none"> • IC01A(KIA7036, Reset IC) X01(8MHz) 	<ul style="list-style-type: none"> • Voltage of Micom No. 2, (DC +4.5V over) and Soldering condition. 	<ul style="list-style-type: none"> • Replace faulty parts

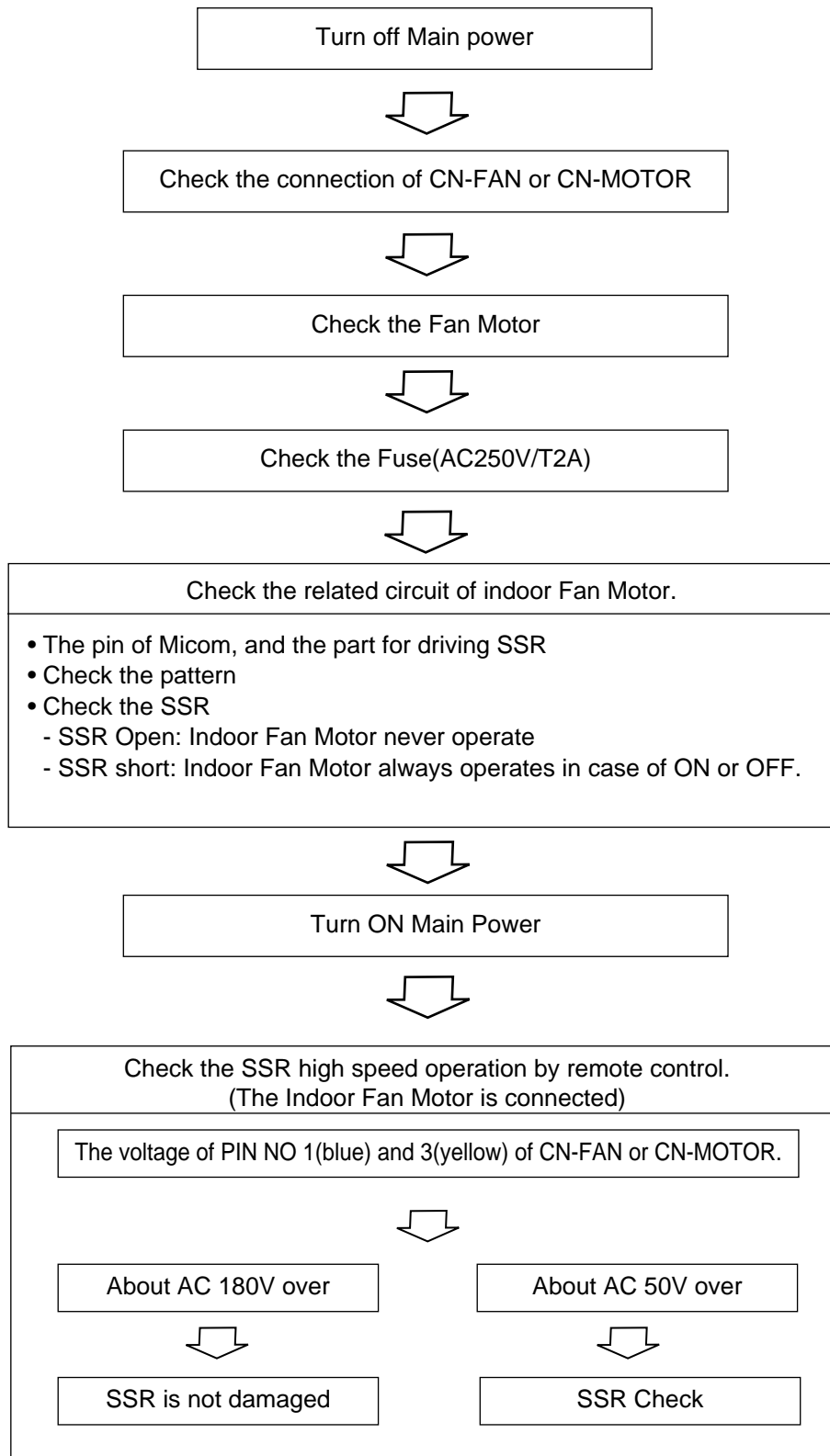
2. The product is not operate with the remote control.



3. When cooling does not operate



4. When indoor Fan does not operate.



5. When Vertical Louver does not operate.

- Confirm that the Vertical Louver is normally geared with the shaft of Stepping Motor.
- If the regular torque is detected when rotating the Vertical Louver with hands ϕ ; Normal



- Check the connecting condition of CN-U/D Connector
- Check the soldering condition(on PWB) of CN-U/D Connector



Check the operating circuit of the Vertical Louver

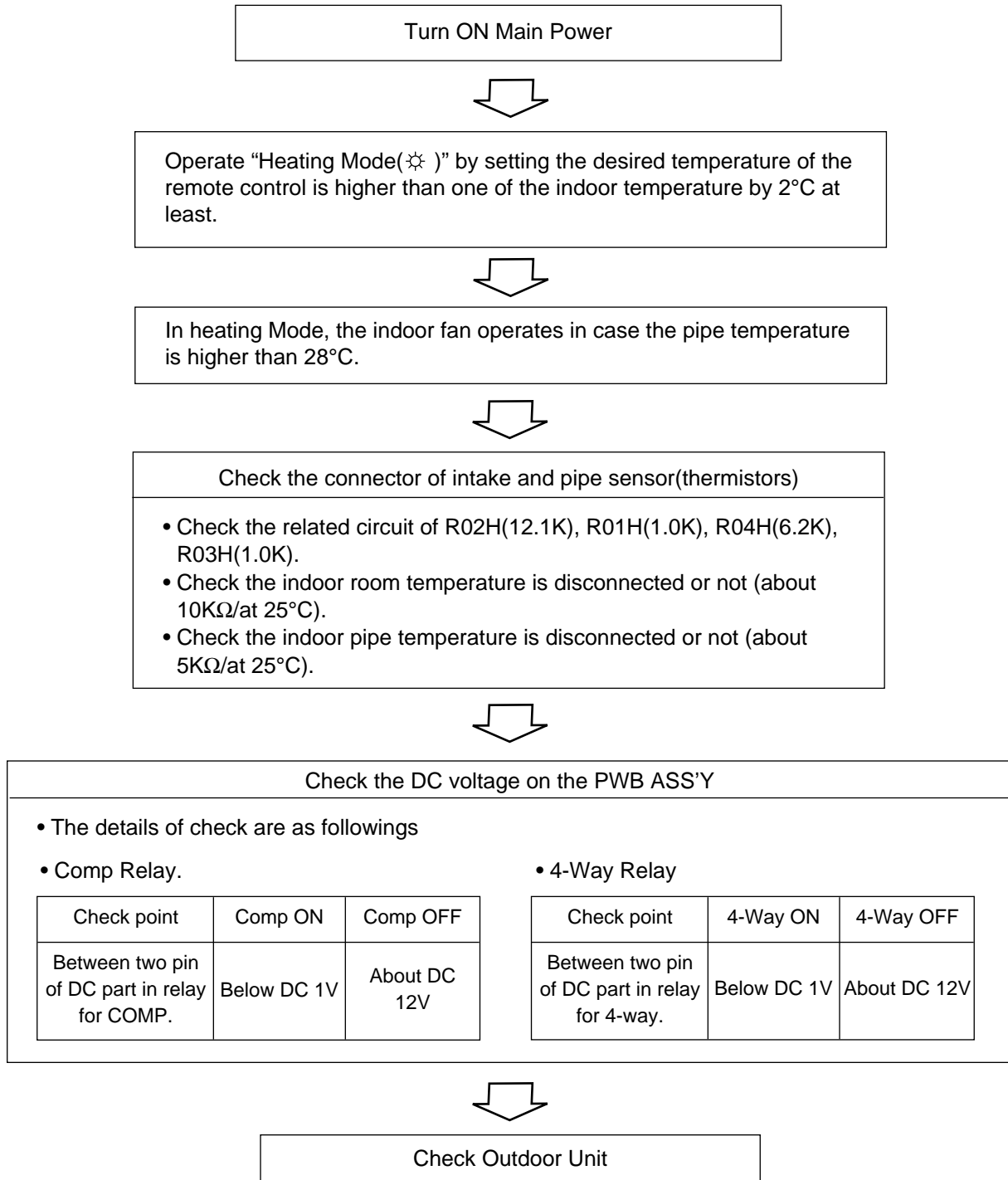
- Confirm that there is DC +12V between pin \square (RED) of CN-U/D and GND.



If there are no problems after above checks

- Confirm the assembly conditions that are catching and interfering parts in the rotation radial of the Vertical Louver

6. When Heating does not operate



7. Outdoor unit does not operate at all.

Check Outdoor Unit



PCB Board Operation Check in Outdoor		
Items	Content	Remedy
<ul style="list-style-type: none"> • Power Transformer (Outdoor unit) - Input Voltage - Output Voltage <li style="padding-left: 20px;"><X • IC01D(7812) Output (Indoor/Outdoor unit) <li style="padding-left: 20px;"><X • IC02D(7805) Output (Indoor/Outdoor unit) <li style="padding-left: 20px;"><X • IC01A(KIA7036, Reset IC) X01(8MHz) 	<ul style="list-style-type: none"> - About AC220V/240V±10% - Check the power voltage - About AC14±3V • DC +12V • DC +5V 	<ul style="list-style-type: none"> • Replace Trans • Replace IC01D • Replace IC02D • Replace faulty parts



Turn off Main Power



- Check the electrical wiring diagram of outdoor side.
- Check the abnormal condition for the component of Compressor/Outdoor Fan Motor/4-way.
- Check the “open” or “short” of connecting wires between indoor and outdoor.

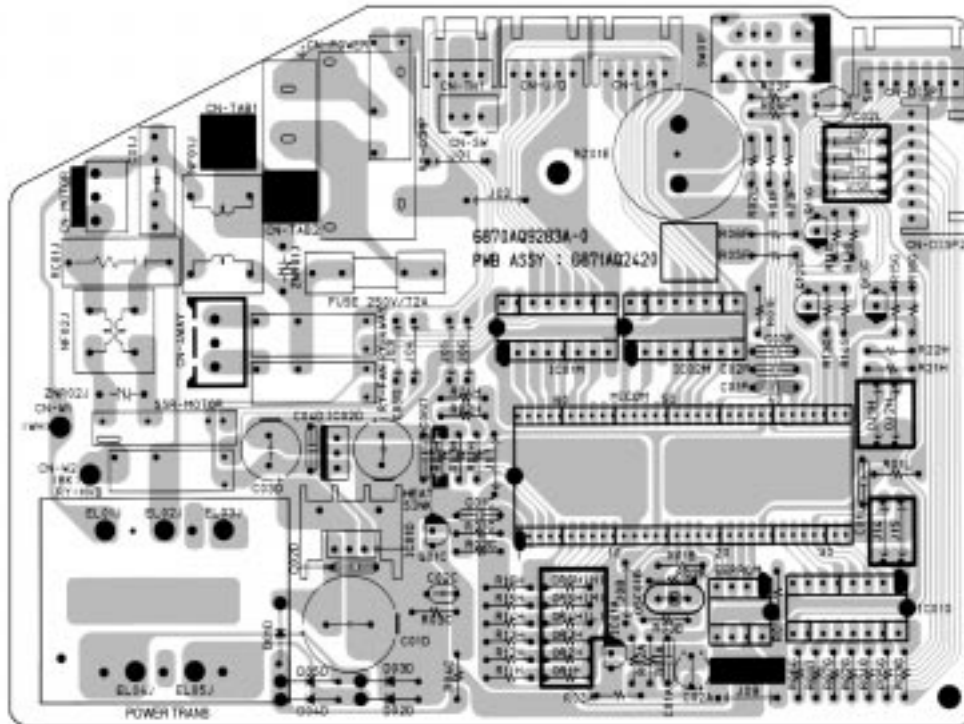
8. Communication error

- The control data can be transmitted or received between indoor and outdoor unit with one signal cable.
- If the data be disturbed by any noise level, the unit will be operated incorrectly. In this case, the indoor unit blinks the operation and operation LED on display and indoor fan, outdoor fan, COMP are not operated.
- The unit can be reoperated by On/Off control of Remocon.

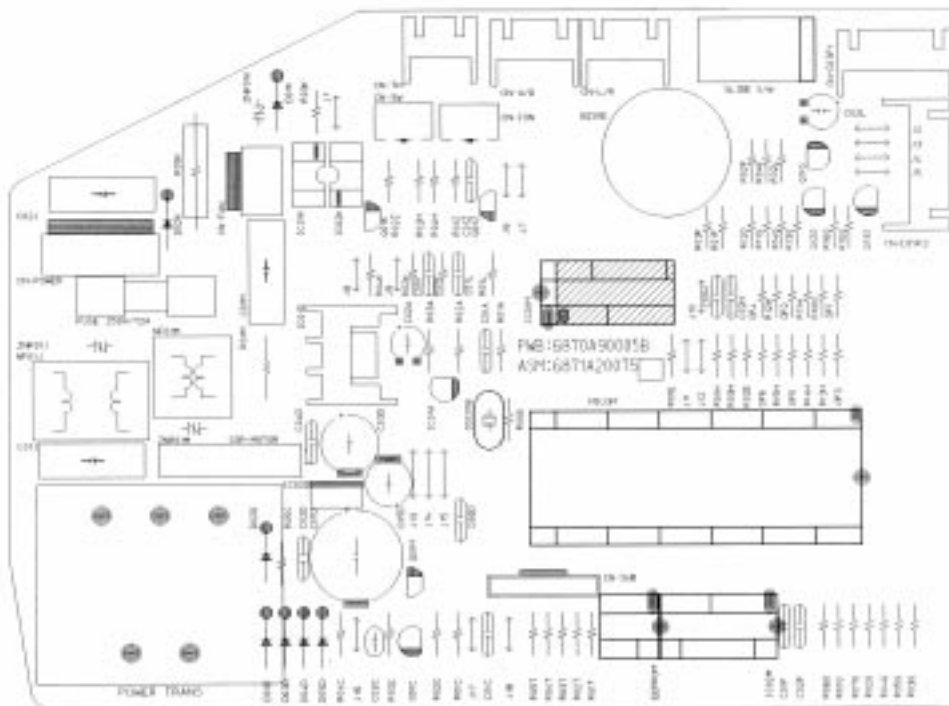
Electronic Control Device

1. Indoor

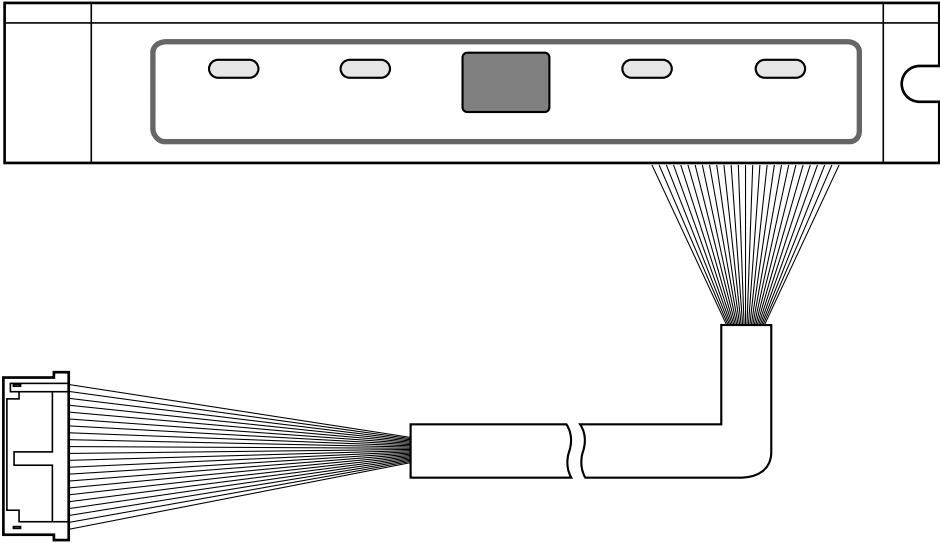
- MAIN P.C.B ASM(LM-1460C2L/M, LM-1560C2L/M, LM-1723C2L/M, LM-1963C2L/M, LM-2163C2L/M)



- MAIN P.C.B ASM(LM-1460H2L/M, LM-1963H2L/M, LM-2163H2L/M, LM-2064C3L/M, LM-2063H3L/M, LM-3063C3L/M, LM-3063H3L/M)



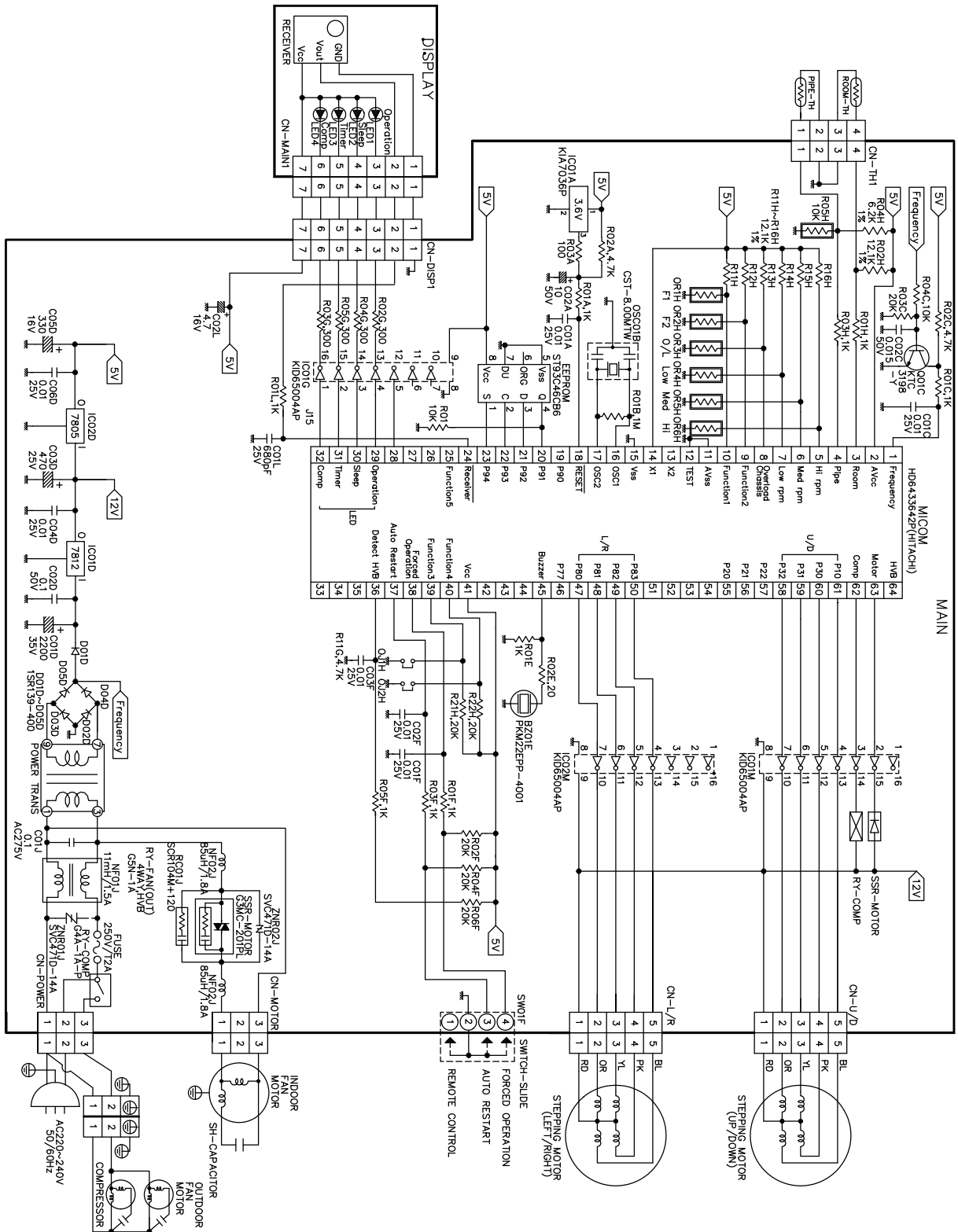
3. Display Ass'y



Schematic Diagram

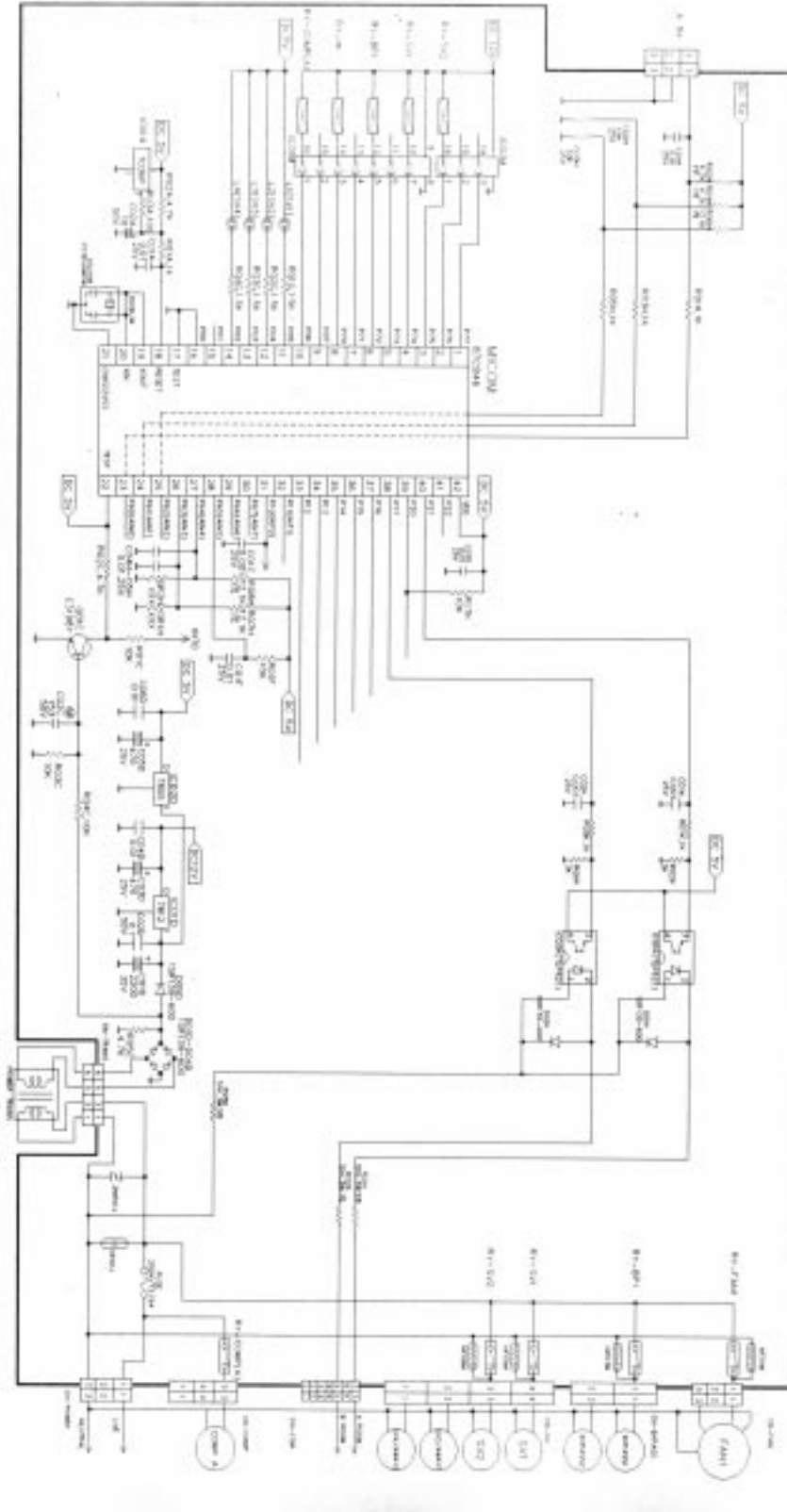
1. Indoor

1-1. LM-1460C2L/M, LM-1560C2L/M, LM-1723C2L/M, LM-1963C2L/M, LM-2163C2L/M)

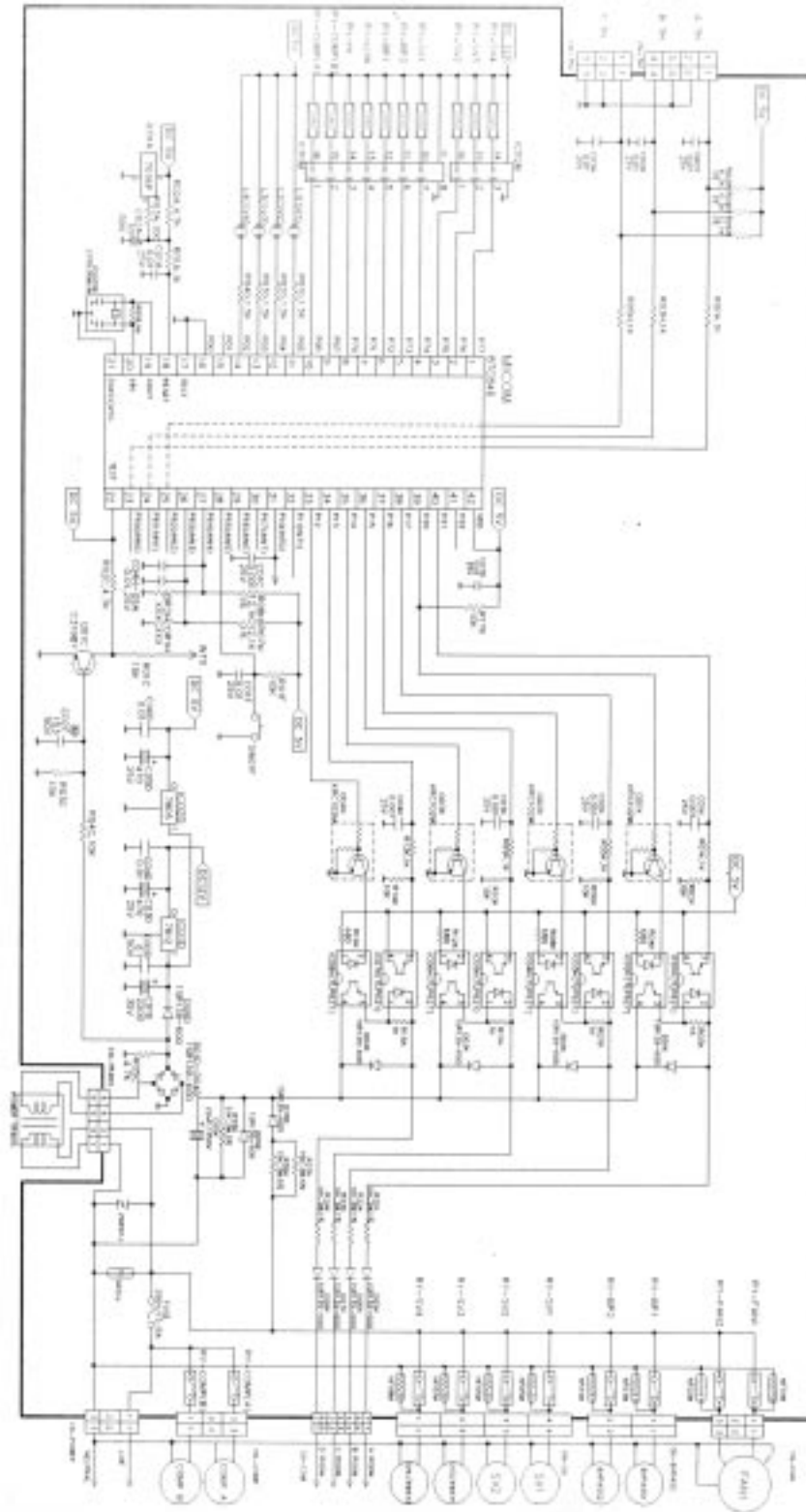


2. Outdoor

2-1. LM-1460C2L/M, LM-1560C2L/M, LM-1723C2L/M

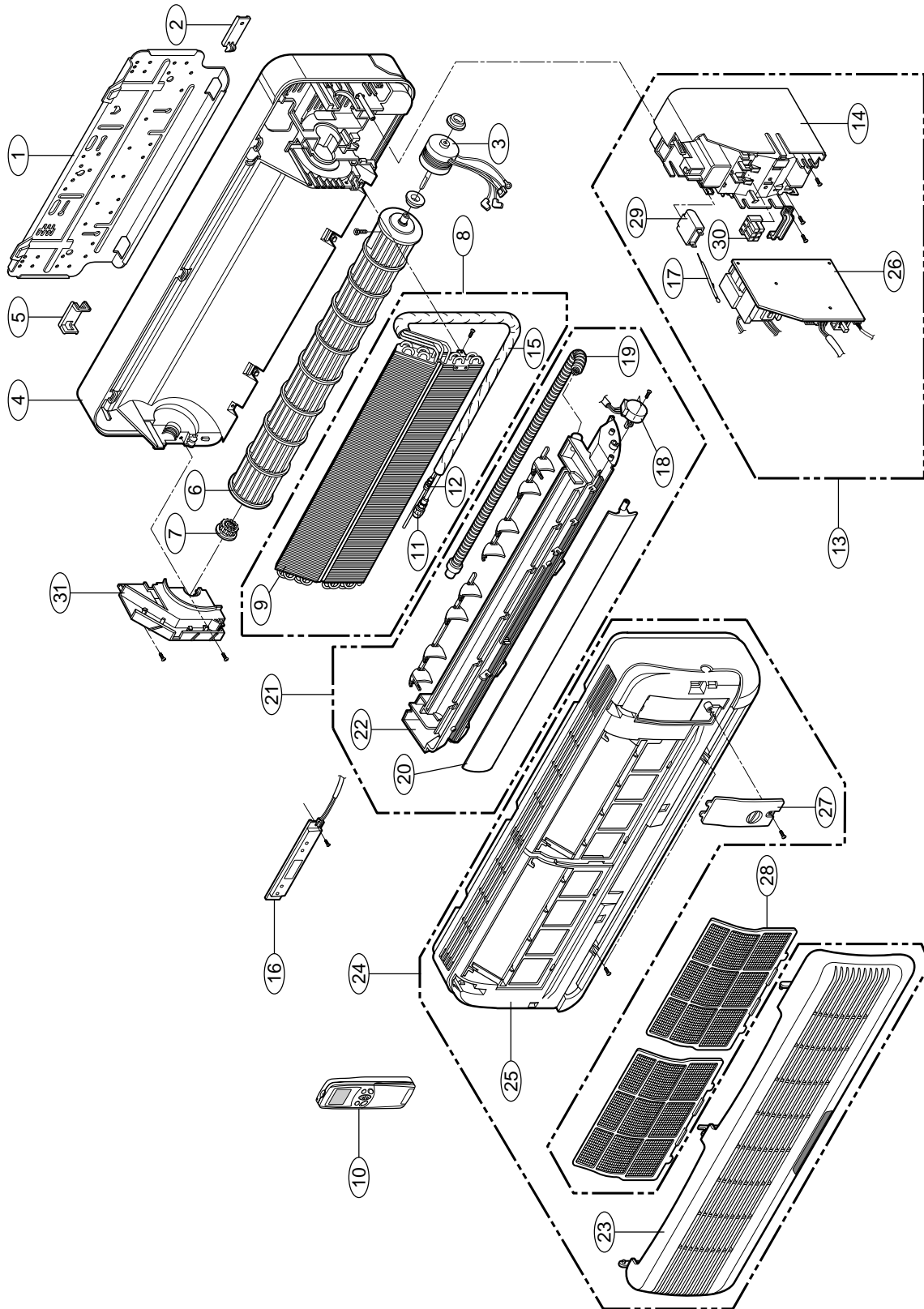


2-2. LM-1460H2L/M, LM-1963H2L/M, LM-2163H2L/M, LM-2063H3L/M, LM-2064C3L/M,
LM-3063H3L/M, LM-3063C3L/M



Exploded View & Replacement Parts List

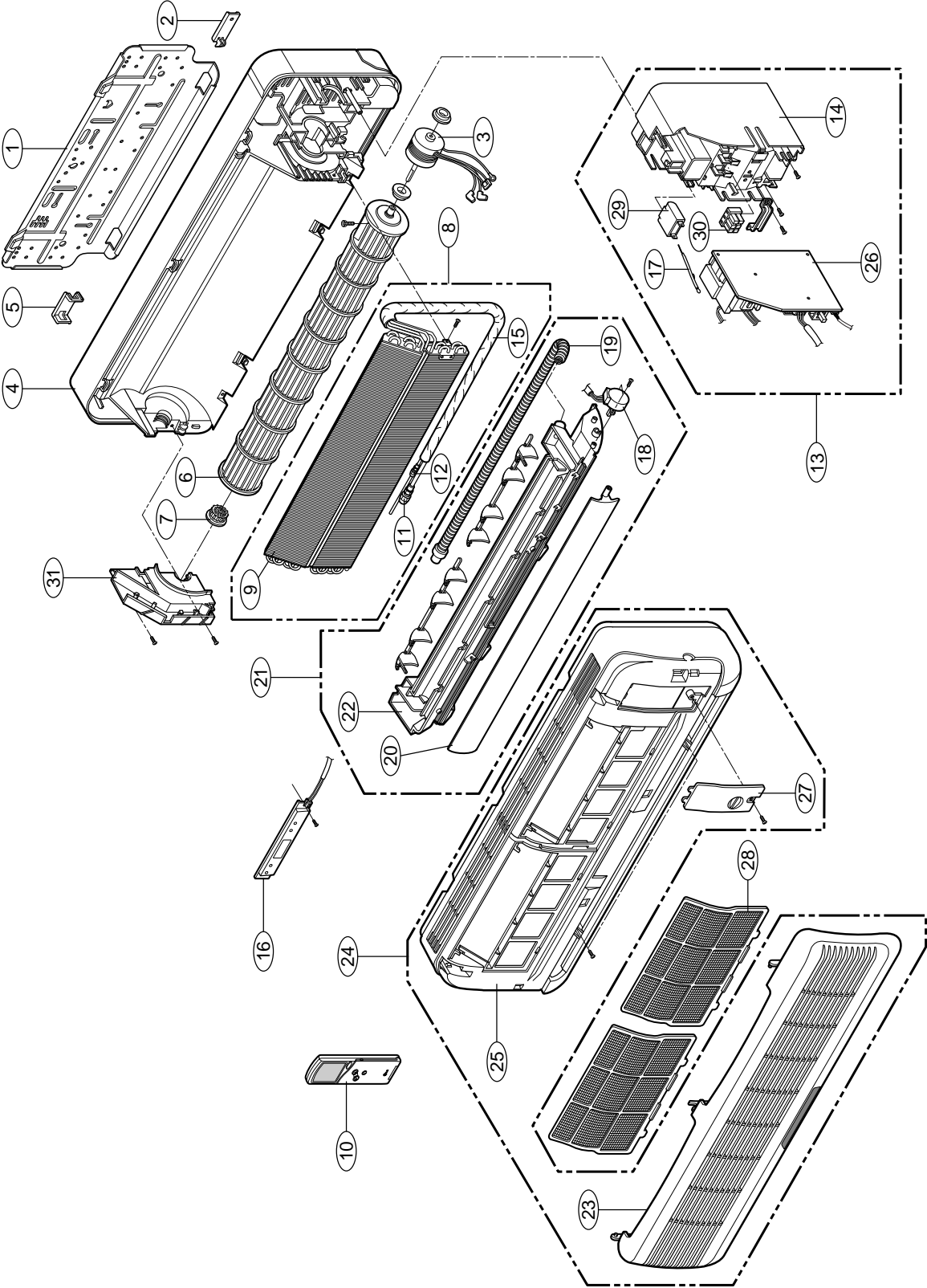
1. Indoor Unit (6K, 7K, 8K, 9K Btu Models)



Parts List(Indoor Unit)

No.	PART No.	DESCRIPTION	Q/TY					REMARK
			LM-1963C2L/M	LM-2064C3L/M		LM-2163C2L/M	LM-1460C2L/M	
			A/B UNIT	A UNIT	B/C UNIT	B UNIT	A/B UNIT	
1	3300A10002	PLATE INSTALLATION	1A	1A	1A	1A	1A	
2	3H03651	HOLDER, TUBE	1A	1A	1A	1A	1A	
3	4681A20003	MOTOR, BLOWER	1C	1C	1C	1C	1C	
4	3141A20001	CHASSIS ASM	1B	1B	1B	1B	1B	
5	3H03652	COVER, TUBE	1A	1A	1A	1A	1A	
6	5901AR6141	CROSS FLOW FAN	1A	1A	1A	1A	1A	
7	3H02821	BEARING ASM	1B	1B	1B	1B	1B	
8	5421AR6176	EVAPORATOR ASM	1A	1A	1A	1A	1A	
9	5421AR6175	EVAPORATOR	1A	1A	1A	1A	1A	
10	6711A20010	REMOTE CONTROL ASM	1A	1A	1A	1A	-	
	6711A20016	REMOTE CONTROL ASM	-	-	-	-	E	
11	4010AR3071	SOCKET FLARE	1A	1A	1A	1A	1A	
12	3A00375	SOCKET FLARE	1D	1D	1D	1D	1D	
13	4995A20024	CONTROLLER ASM	1M	1R	1R	M	1M	
14	4994AR0011	CONTROL BOARD	1A	1A	1A	1A	1A	
15	5211AR7288	TUBING ASM	1A	1A	1A	1A	1A	
16	6871F30009	PWB(PCB) ASSY, DISPLAY	1C	1C	1C	1C	1F	
17	6323AQ2333	THERMISTOR ASSY	1B	1A	1A	1B	1B	
18	4681AR2727	STEPPING MOTOR	1H	1H	1H	1H	1H	
19	5251AR2575	DRAIN HOSE ASM	1A	1A	1A	1A	1A	
20	5990AR7225	VANE	1A	1A	1A	1A	1A	
21	3531A10005	DISCHARGE GRILLE ASM	1A	1A	1A	1A	1A	
22	5008AR1573	DISCHARGE GRILLE	1A	1A	1A	1A	1A	
23	3531A20003	INLET GRILLE	1N	1N	1N	1N	1U	
24	3531A10001	FRONT GRILLE ASM	1W	1W	1W	1W		
	3531A10036	FRONT GRILLE ASM	-	-	-	-	1A	
25	3530AR1576	FRONT GRILLE	1A	1A	1A	1A	1A	
26	6871AQ2420	PWB(PCB)ASSY, MAIN	1H			1H	1H	
	3871A20075	PWB(PCB)ASSY, MAIN		1F	1F			
27	3550AR3724	COVER CONTROL	1F	1G	1G	1F	1F	
28	5230AR2630	FILTER ASSY	2A	2A	2A	2A	2A	
29	3H01487	SH CAPACITOR	1A	1A	1A	1A	1A	
30	6640AR7043	PILLAR TERMINAL	1B	1B	1B	1B	1B	
31	4930AR6138	HOLDER, EVA	1A	1A	1A	1A	1A	

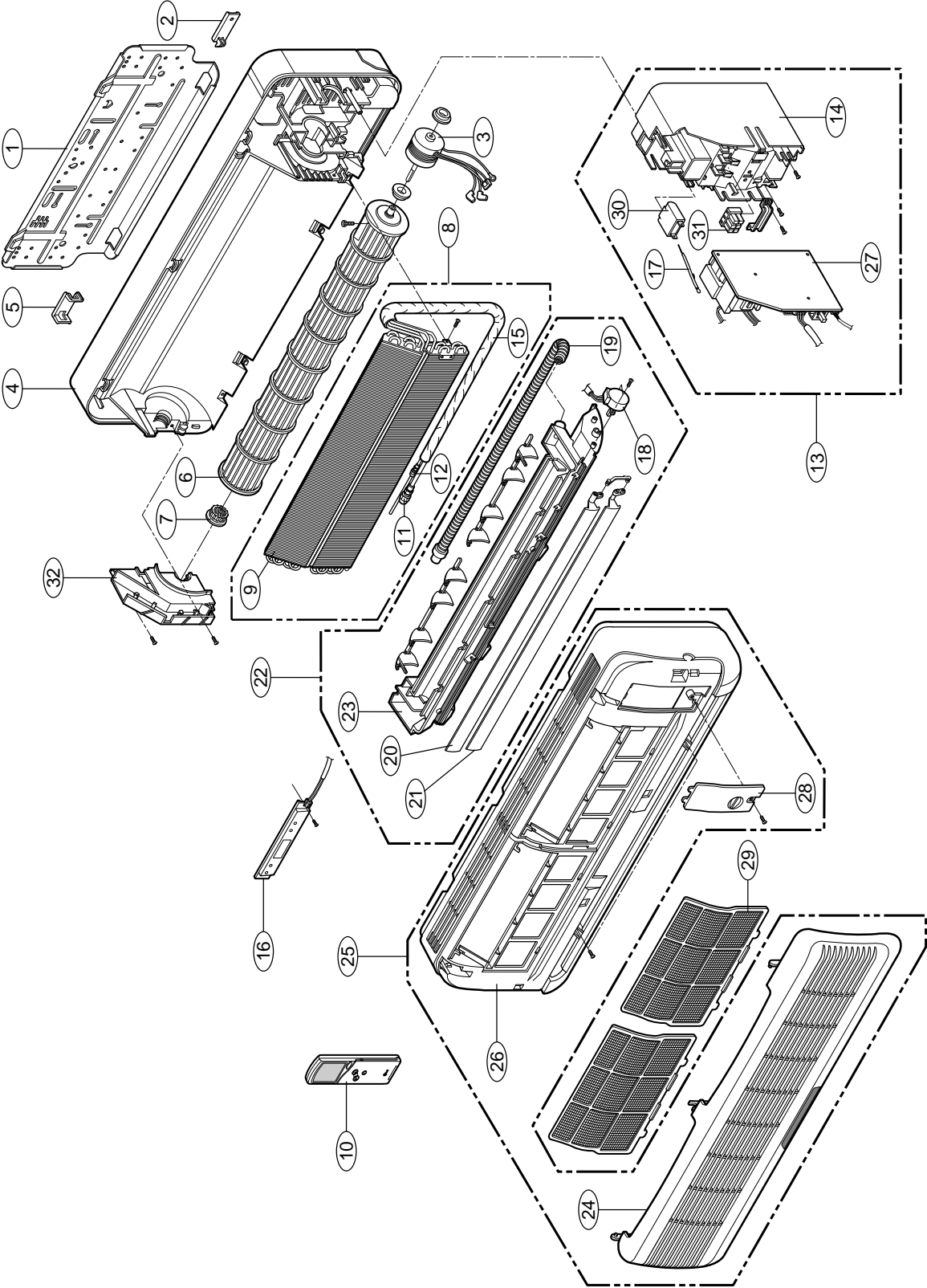
2. Indoor Unit (6K, 7K, 8K, 9K Btu Models)



Parts List(Indoor Unit)

No.	PART No.	DESCRIPTION	Q/TY				REMARK
			LM-1963H2L/M	LM-2063H3L/M		LM-1460H2L/M	
			A/B UNIT	A UNIT	B/C UNIT	A/B UNIT	
1	3300A10002	PLATE INSTALLATION	1A	1A	1A	1A	
2	3H03651	HOLDER, TUBE	1A	1A	1A	1A	
3	4681A20003	MOTOR, BLOWER	1C	1C	1C	1C	
4	3141A20001	CHASSIS ASM	1B	1B	1B	1B	
5	3H03652	COVER, TUBE	1A	1A	1A	1A	
6	5901AR6141	CROSS FLOW FAN	1A	1A	1A	1A	
7	3H02821	BEARING ASM	1A	1A	1A	1A	
8	5421AR6176	EVAPORATOR ASM	1B	1B	1K	1B	
9	5421AR6175	EVAPORATOR	1A	1A	1C	1A	
10	6711A20010	REMOTE CONTROL ASM	1B	1B	1B	1B	
11	4010AR3071	SOCKET FLARE	1A	1A	1A	1A	
12	3A00375	SOCKET FLARE	1D	1D	1D	1D	
13	4995A20024	CONTROLLER ASM	1N	1P	1P	1N	
14	4994AR0011	CONTROL BOARD	1A	1A	1A	1A	
15	5211AR7288	TUBING ASM	1A	1A	1C	1A	
16	6871A30009	PWB(PCB) ASSY, DISPLAY	1C	1C	1C	1C	
17	6323AQ2333	THERMISTEOR ASSY	1A	1A	1A	1A	
18	4681AR2727	STEPPING MOTOR	1H	1H	1H	1H	
19	5251AR2575	DRAIN HOSE ASM	1A	1A	1A	1A	
20	5990AR7225	VANE	1A	1A	1A	1A	
21	3531A10005	DISCHARGE GRILLE ASM	1A	1A	1A	1A	
22	5008AR1573	DISCHARGE GRILLE	1A	1A	1A	1A	
23	3531A20003	INLET GRILLE	1M	1M	1M	1M	
24	3531A10001	FRONT GRILLE ASM	1X	1X	1X	1X	
25	3530AR1576	FRONT GRILLE	1A	1A	1A	1A	
26	6871A20075	PWB(PCB) ASSY, MAIN	1B	1A	1A	1B	
27	3550AR3724	COVER CONTROL	1G	1G	1G	1G	
28	5230AR2630	FILTER ASSY	2A	2A	2A	2A	
29	3H01487	SH CAPACITOR	1A	1A	1A	1A	
30	6640AR7043	PILLAR TERMINAL	1B	1B	1B	1B	
31	4930AR6138	HOLDER, EVA	1A	1A	1A	1A	

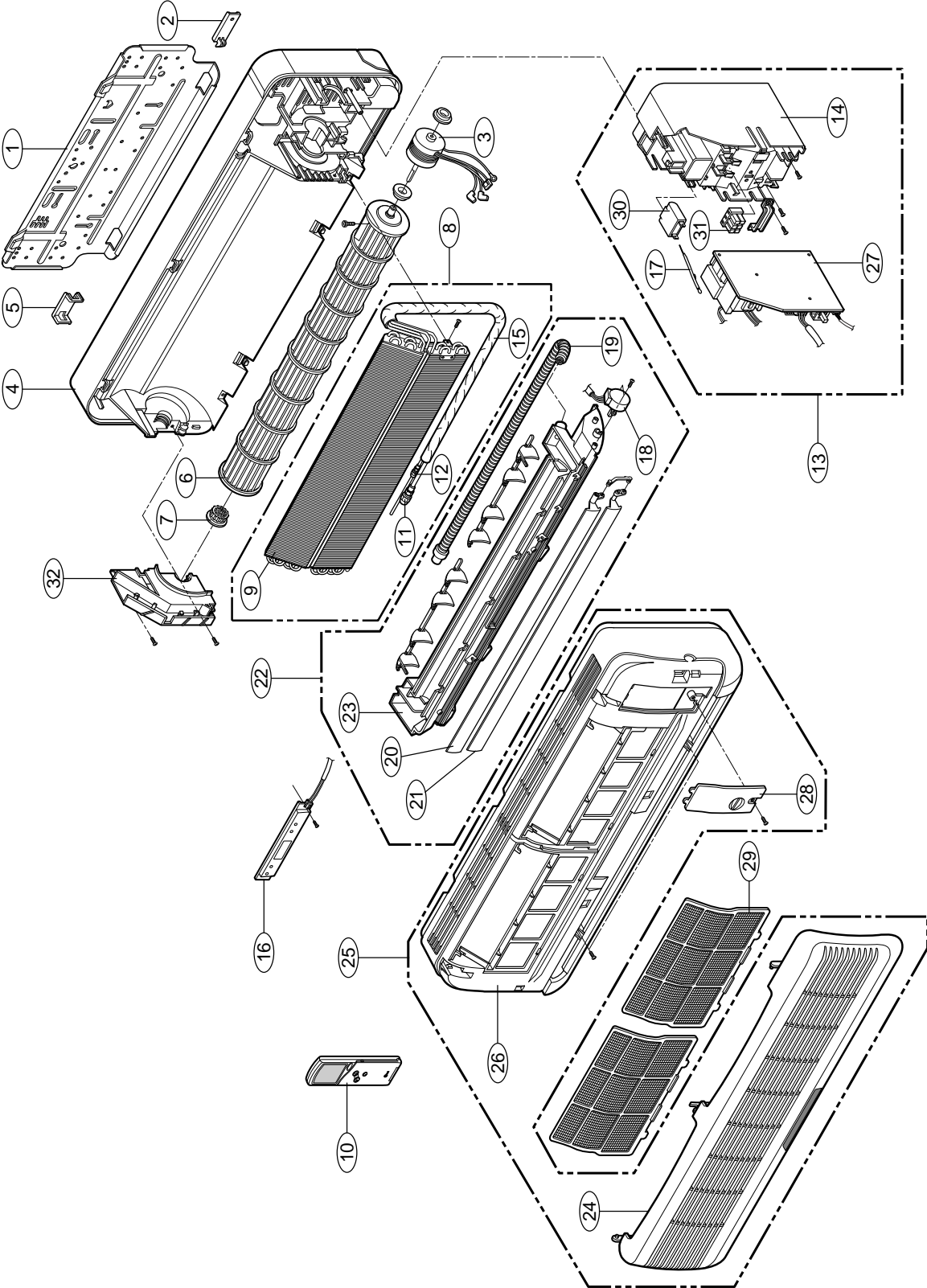
3. Indoor Unit (9K, 12K Btu Models)



Parts List(Indoor Unit)

No.	PART No.	DESCRIPTION	Q/TY			REMARK
			LM-2163C2L/M	LM-3063C3L/M		
			A UNIT	A UNIT	B/C UNIT	
1	1H00843	PLATE INSTALLATION	1A	1A	1A	
2	3H03651	HOLDER, TUBE	1A	1A	1A	
3	4681A20003	MOTOR, BLOWER	1P	1P	1P	
4	3141A20003	CHASSIS ASM	1D	1D	1D	
5	3H03652	COVER, TUBE	1A	1A	1A	
6	5901AR6141	CROSS FLOW FAN	1B	1B	1B	
7	3H02821	BEARING ASM	1B	1B	1B	
8	5421A20031	EVAPORATOR ASM	1E	1G	1H	
9	5421A20032	EVAPORATOR	1A	1D	1A	
10	6711A20010	REMOTE CONTROL ASM	1A	1A	1A	
11	3H01420	SOCKET FLARE	1A	1A		
	4010AR3071	SOCKET FLARE			1A	
12	3A00375	SOCKET FLARE	1D	1D	1D	
13	4995A20082	CONTROLLER ASM		1H	1J	
	4995A20094	CONTROLLER ASM	1E			
14	4994A00001	CONTROL BOARD	1A	1A	1A	
15	2H02449	TUBING ASM	1J	1J	1M	
16	6871A30009	PWB(PCB) ASSY, DISPLAY	1E	1E	1E	
17	6323AQ2333	THERMISTEOR ASSY	1A	1A	1A	
18	4681AR2727	STEPPING MOTOR	1H	1H	1H	
19	5251AR2575	DRAIN HOSE ASM	1A	1A	1A	
20	5990A30006	VANE	1A	1A	1A	
21	5990A30007	VANE	1A	1A	1A	
22	3531A10023	DISCHARGE GRILLE ASM	1B	1B	1B	
23	3530A10018	DISCHARGE GRILLE	1A	1A	1A	
24	3531A20028	INLET GRILLE	1D	1D	1D	
25	3531A10024	FRONT GRILLE ASM	1J	1J	1J	
26	3530A10020	FRONT GRILLE	1B	1B	1B	
27	6871A20075	PWB(PCB) ASSY, MAIN		1H	1G	
27	6871A20055	PWB(PCB) ASSY, MAIN	1S			
28	3550A30035	COVER CONTROL	1D	1F	1F	
29	5230A20004	FILTER ASSY	2A	2A	2A	
30	3H01487	SH CAPACITOR	1A	1A	1A	
31	6640AR7043	PILLAR TERMINAL	1B	1B	1B	
32	4930AR6138	HOLDER, EVA	1A	1A	1A	

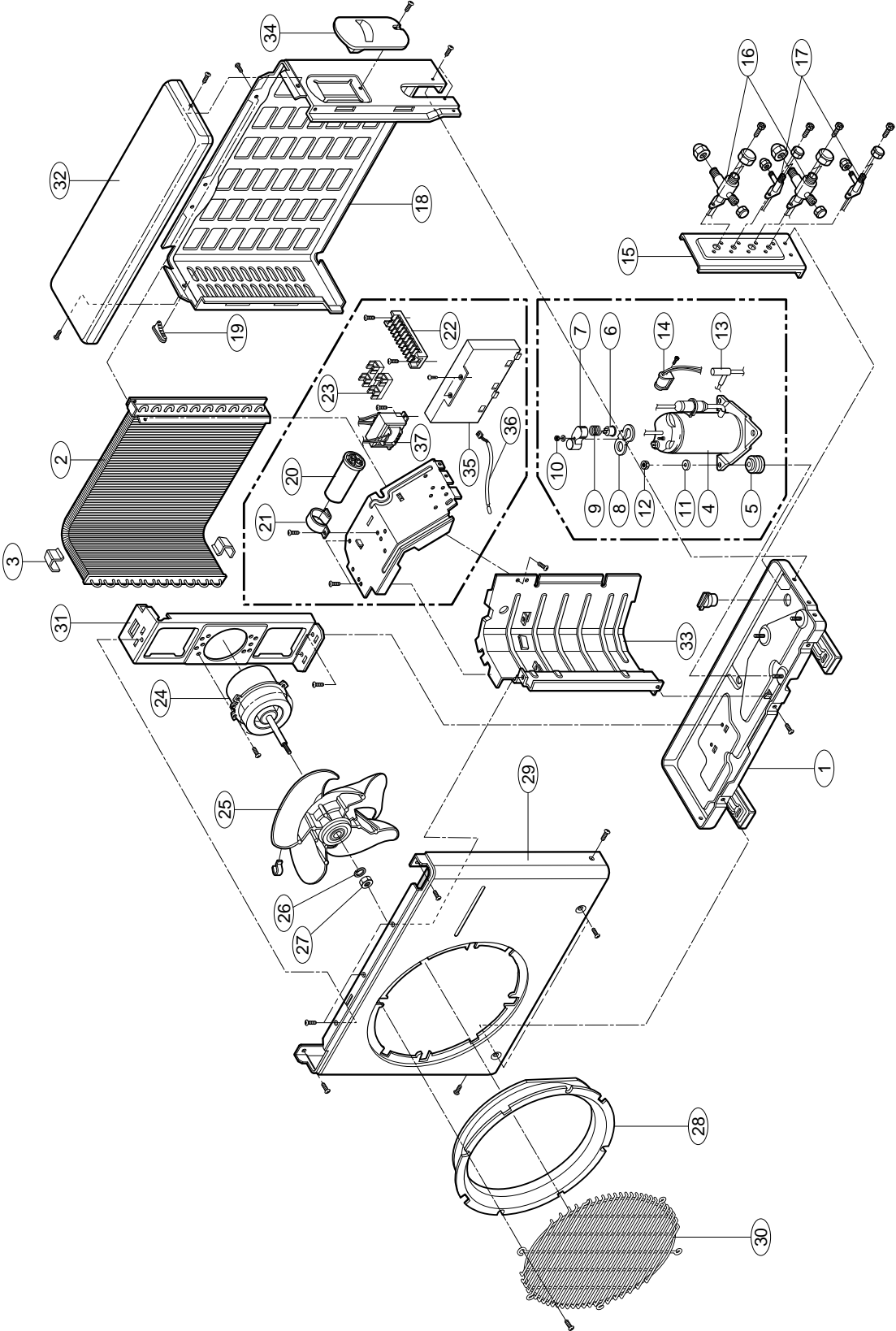
4. Indoor Unit (9K, 12K Btu Models)



Parts List(Indoor Unit)

No.	PART No.	DESCRIPTION	Q/TY			REMARK
			LM-2163H2L/M	LM-3063H3L/M		
			A UNIT	A UNIT	B/C UNIT	
1	1H00843	PLATE INSTALLATION	1A	1A	1A	
2	3H03651	HOLDER, TUBE	1A	1A	1A	
3	4681A20003	MOTOR, BLOWER	1P	1P	1P	
4	3141A20003	CHASSIS ASM	1D	1D	1D	
5	3H03652	COVER, TUBE	1A	1A	1A	
6	5901AR6141	CROSS FLOW FAN	1B	1B	1B	
7	3H02821	BEARING ASM	1A	1A	1A	
8	5421A20031	EVAPORATOR ASM	1E	1G	1H	
9	5421A20032	EVAPORATOR	1A	1D	1A	
10	6711A20010	REMOTE CONTROL ASM	1B	1B	1B	
11	3H01420	SOCKET FLARE	1A	1A		
	4010AR3071	SOCKET FLARE			1A	
12	3A00375	SOCKET FLARE	1D	1D	1D	
13	4995A20082	CONTROLLER ASM	1B	1F	1E	
14	4994A00001	CONTROL BOARD	1A	1A	1A	
15	2H02449	TUBING ASM	1J	1J	1M	
16	6871A30009	PWB(PCB) ASSY, DISPLAY	1E	1E	1E	
17	6323AQ2333	THERMISTEOR ASSY	1A	1A	1A	
18	4681AR2727	STEPPING MOTOR	1H	1H	1H	
19	5251AR2575	DRAIN HOSE ASM	1A	1A	1A	
20	5990A30006	VANE	1A	1A	1A	
21	5990A30007	VANE	1A	1A	1A	
22	3531A10023	DISCHARGE GRILLE ASM	1B	1B	1B	
23	3530A10018	DISCHARGE GRILLE	1A	1A	1A	
24	3531A20028	INLET GRILLE	1C	1C	1C	
25	3531A10024	FRONT GRILLE ASM	1L	1L	1L	
26	3530A10020	FRONT GRILLE	1B	1B	1B	
27	6871A20075	PWB(PCB) ASSY, MAIN	1C	1E	1D	
28	3550A30035	COVER CONTROL	1F	1F	1F	
29	5230A20004	FILTER ASSY	2A	2A	2A	
30	3H01487	SH CAPACITOR	1A	1A	1A	
31	6640AR7043	TERMINAL BLOCK	1B	1B	1B	
32	4930AR6138	HOLDER, EVA	1A	1A	1A	

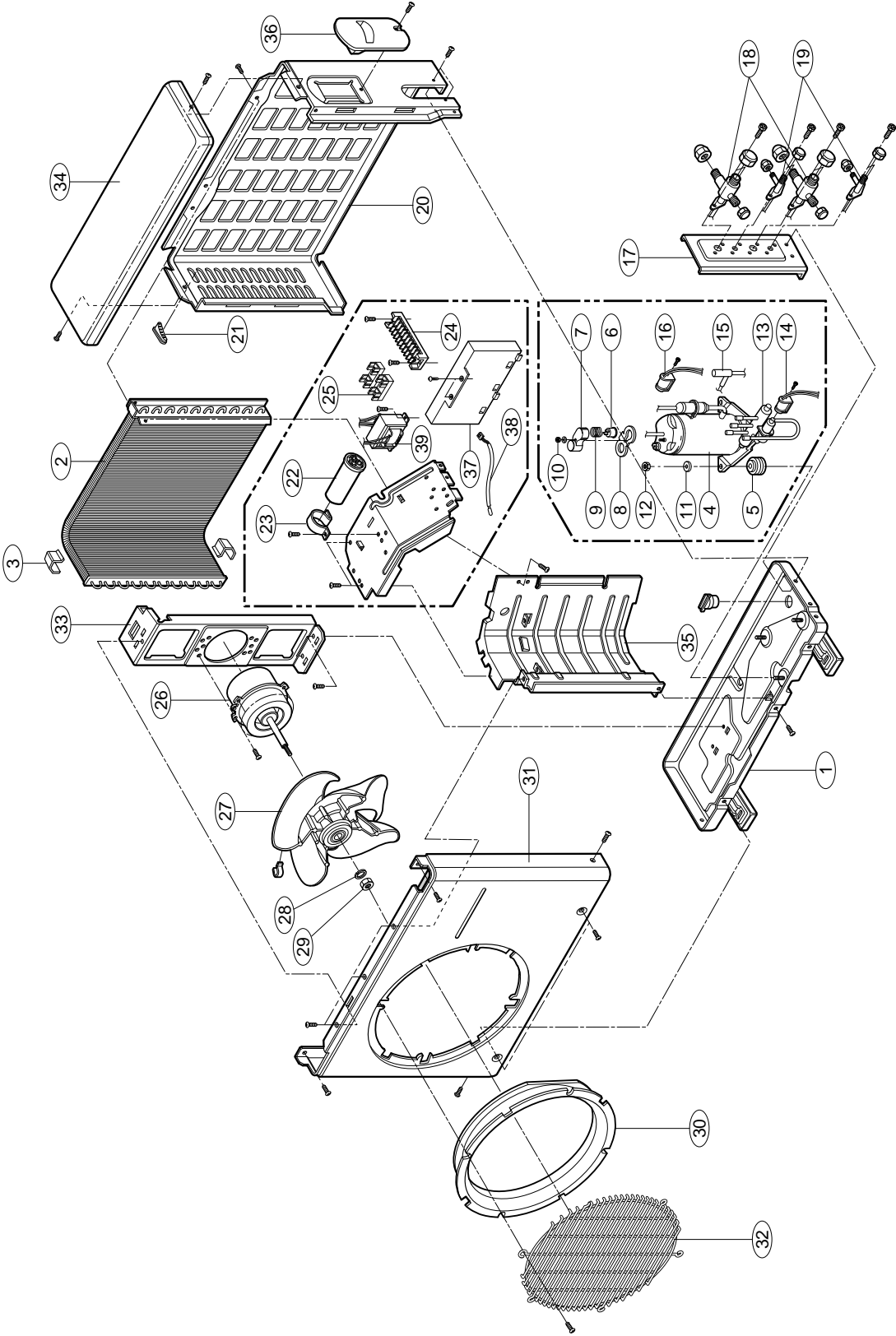
5. Outdoor Unit (LM-1460C2L/M, LM-1560C2L/M, LM-1723C2L/M)



Parts List(Outdoor Unit)

No.	PART No.	DESCRIPTION	Q/TY			REMARK
			LM-1460C2L/M	LM-1560C2L/M	LM-1723C2L/M	
			A/B UNIT	A/B UNIT	A/B UNIT	
1	2H02079	BASE ASSY(OUTDOOR)	1T	1T	1T	
2	5403AR6027	ONDENSER ASSY, BEN	1P	1P	1P	
3	4A01556	HOLDER(COND)	2A	2A	2A	
4	5417A90002	COMPRESSOR ASSY	1B	1B		
4	5417A2156	COMPRESSOR ASSY			1D	
5	4830AR4335	ISOLATOR, COMP	3A	3A	3A	
6	6750U-L027A	O.L.P	1	1	-	
7	3550U-L004A	COVER, TERMINAL	1	1	1	
8	4986U-L001G	GASKET	1	1	1	
9	4790U-L002A	SPRING	1	1	-	
10	4H00947	NUT, HEXAGON FLANGE	1A	1A	1A	
11	4H01811	BRACKET, WASHER	3A	3A	3A	
12	1NHA0801206	NUTS HEXAGON[1]	3	3	3	
13	5220A90002A	VALVE, SOLENOID	2	2	3	
14	6521A20001	SOLENOID ASSY	1Z	1Z		
14	6421AR3209	SOLENOID ASSY			1D	
14	6421AR3209	SOLENOID ASSY			1E	
15	4981A20005	SUPPORTER, VALVE	1C	1C	1C	
16	2A00393	VALVE SERVICE(3/8")	2T	2T	2U	
17	2H02479	VALVE SERVICE (1/4")	2H	2H	2B	
18	1H00697	PANEL ASSY, REAR	1L	1L	1L	
19	3H03168	HANDLE	1A	1A	1A	
20	2H01451	CAPACITOR	1T	1T	1V	
21	4H01008	CLAMP, CAPACITOR	1A	1A	1A	
22	4G00103	TERMINAL BLOCK	1A	1A	1A	
23	3H00390	TERMINAL BLOCK	1A	1A	1A	
24	1H00858	MOTOR ASSY, AC	1D	1D		
24	4681AR1392	MOTOR ASSY, AC			1R	
25	5900AR1119	FAN ASSY, PROPELLER	1B	1B	1B	
26	1WPA080001A	WASHER, PLAIN	1	1	1	
27	4H02861A	NUT	1	1	1	
28	2H01992	ORIFICE	1C	1C	1C	
29	3721A20014	PANEL ASSY, FRONT	1E	1E	1E	
30	1H00840	RILLE ASSY, DISCHARGE	1C	1C	1C	
31	1H00838	MOUNT MOTOR	1A	1A	1A	
32	3H03465	COVER ASSY, TOP	1D	1D	1D	
33	3H03466	BARRIER ASSY, OUTDOOR	1F	1F	1F	
34	2H02082	COVER ASSY, CONTROL	1U	1U	1U	
35	6871A20031	PWB(PCB) ASSY, MAIN	1G	1G	1E	
36	3Q35015	THERMISTOR ASSY	1H	1H	1H	
37	6171AQ3198	TRANSFORMER POWER	1A	1A	1A	

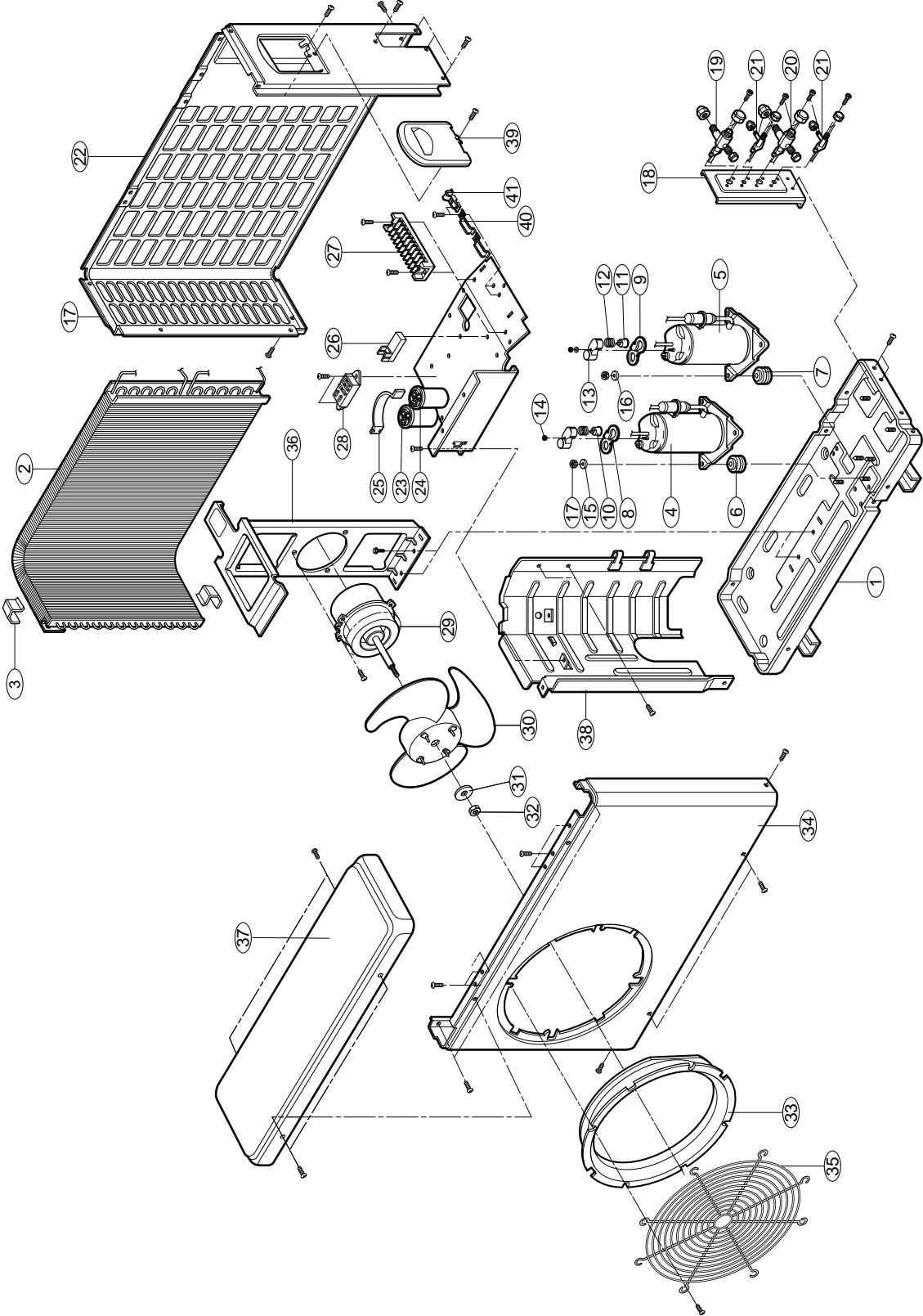
6. Outdoor Unit (LM-1460H2L/M)



Parts List(Outdoor Unit)

No.	PART No.	DESCRIPTION	Q/TY		REMARK
			LM-1460H2L/M		
			A/B UNIT		
1	2H02079	BASE ASSY(OUTDOOR)	1S		
2	5403AR6027	CONDENSER ASSY, BENT	1R		
3	4A01556	HOLDER(COND)	2A		
4	5417A90002	COMPRESSOR ASSY	1B		
5	4830AR4335	ISOLATOR, COMP	3A		
6	6750U-L027A	O.L.P	1		
7	3350U-L004A	COVER, TERMINAL	1		
8	4986U-L001G	GASKET	1		
9	4986U-L002A	SPRING	1		
10	4H00947	NUT, HEXAGON FLANGE	1A		
11	4H01811	BRACKET, WASHER	3A		
12	1NHA0801206	NUTS HEXAGON[1]	3		
13	3A02027	VALVE REVERSING	1A		
14	6141AR3509	OIL ASSY, REVERSING VALVE	1C		
15	5220A90002	VALVE, SOLENOID	2A		
16	6421A20001	SOLENOID ASSY	1Z		
17	4981A20005	SUPPORTER, VALVE	1C		
18	2A00393	VALVE SERVICE(3/8")	2T		
19	2H02497	VALVE SERVICE (1/4")	2H		
20	1H00697	PANEL ASSY, REAR	1L		
21	3H03168	HANDLE	1A		
22	2H01451	CAPACITOR	1S		
23	4H01008	CLAMP, CAPACITOR	1A		
24	4G00103	TERMINAL BLOCK	1A		
25	3H00390	TERMINAL BLOCK	1A		
26	4681AR1392	MOTOR ASSY, AC	1Q		
27	5900AR1119	FAN ASSY, PROELLER	1B		
28	1WPA0800014	WASHER, PLAIN	1		
29	4H02861A	NUT	1		
30	2H01992	ORIFICE	1C		
31	3721A20014	PANEL ASSY, FRONT	1E		
32	1H00840	GRILLE ASSY, DISCHARGE	1C		
33	1H00838	MOUNT MOTOR	1A		
34	3H03465	COVER ASSY, TOP	1D		
35	3H03466	BARRIER ASSY, OUTDOOR	1F		
36	2H02082	COVER ASSY, CONTROL	1U		
37	6871A20031	PWB(PCB) ASSY, MAIN	1H		
38	3Q35015	THERMISTOR ASSY	1H		
39	6171AQ3198	TRANSFORMER POWER	1A		

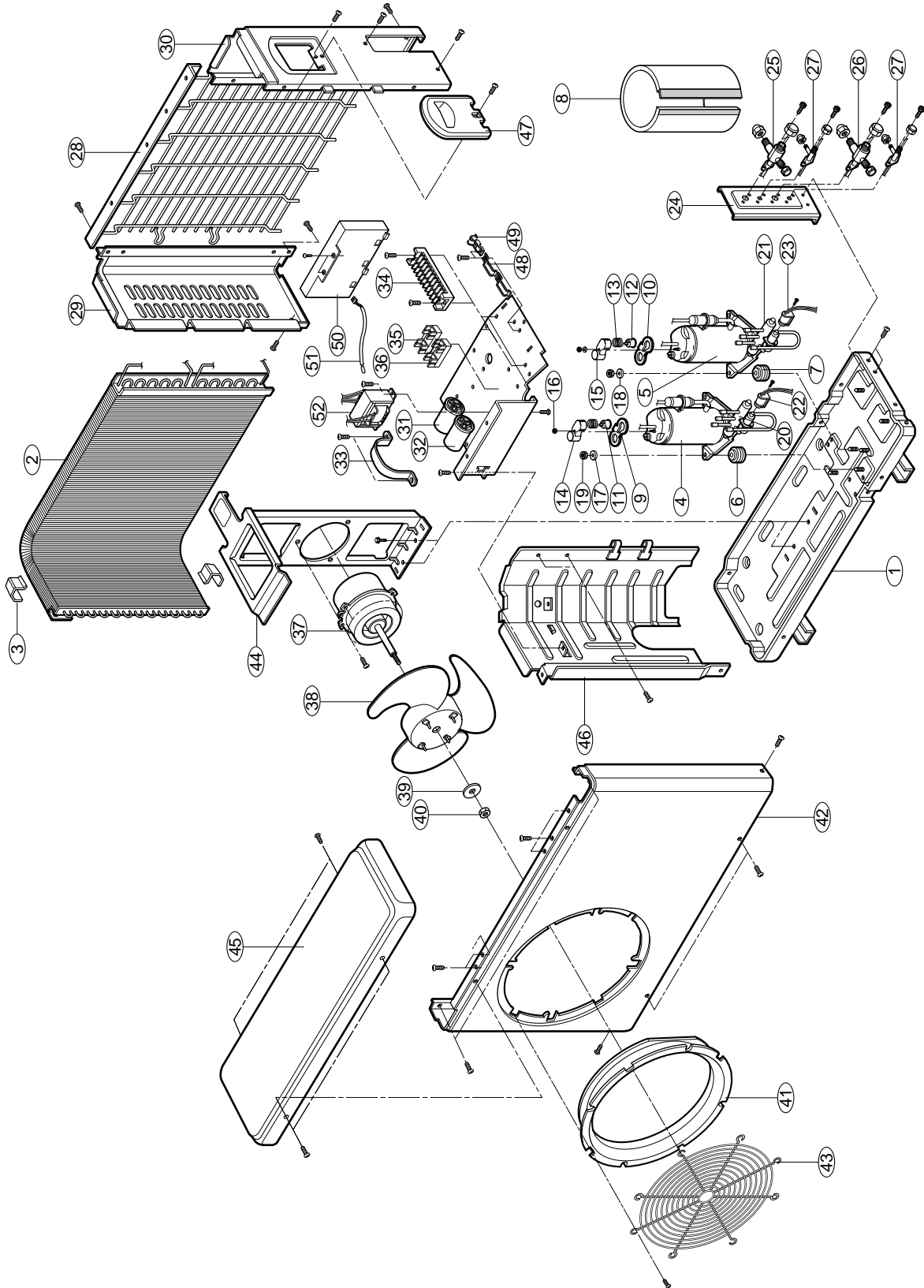
7. Outdoor Unit (LM-1963C2L/M, LM-2163C2L/M)



Parts List(Outdoor Unit)

No.	PART No.	DESCRIPTION	Q/TY		REMARK
			LM-1963C2L/M	LM-2163C2L/M	
1	3041AP2741	BASE ASSY(OUTDOOR)	1G	1H	
2	5403AP2740	CONDENSER ASSY, BENT	1P	1R	
3	4A01556	HOLDER, COND	2A	2A	
4	5417AR2681	COMPRESSOR ASSY	1P		
	5416A20003	COMPRESSOR ASSY		1L	
5	5417AR2681	COMPRESSOR ASSY	1P	1P	
6	4984AR4361	ISOLATOR, COMP	3A		
	4H00982	ISOLATOR, COMP		3E	
7	4984AR4361	ISOLATOR, COMP	3A	3A	
8	4986U-L001G	GASKET	1		
	4986U-L004A	GASKET		1	
9	4986U-L001G	GASKET	1	1	
10	6750U-L002A	O.L.P.	1		
	6750U-L005A	O.L.P.		1	
11	6750U-L002A	O.L.P.	1	1	
12	4970U-L002A	SPRING	2	2	
13	3550U-L002A	COVER, TERMINAL	2	2	
14	4H00947	NUT, HEXAGON FLANGE	2A	2A	
15	4810AR4155	BRACKET, WASHER	3A		
	4H01811	BRACKET, WASHER		3C	
16	4810AR4155	BRACKET, WASHER	3A	3A	
17	1NHA0801306	NUTS HEXAGON[1]	6	6	
18	4908AR1016	SUPPORTER, VALVE	1D	1D	
19	2H01890	VALVE SERVICE(1/2")		1D	
	2A00393	VALVE SERVICE(3/8")	1S		
20	2A00393	VALVE SERVICE(3/8')	1S	1S	
21	2H02479	VALVE SERVICE(1/4")	2D	2B	
22	3720AP0003	PANEL ASSY, REAR	1F	1F	
23	3A00988	CAPACITOR	1B		
	2A00986	CAPACITOR		1G	
24	6120AR2194	CAPACITOR	1F	1F	
25	4H00442	CLAMP, CAPACITOR	1P	1P	
26	3A00390	TERMINAL BLOCK	1A	1A	
27	3A00093	TERMINAL BLOCK	1A	1A	
28	3A00261	POWER RELAY	1C	1C	
29	4681A20013	MOTOR ASSY, AC	1A	1A	
30	1A00195	FAN ASSY, PROPELLER	1B	1B	
31	1WPA0800014	WASHER, PLAIN	1	1	
32	1NHA0801206	NUTS HEXAGON[1]	1	1	
33	4948AP2527	ORIFICE	1A	1A	
34	3721A20004	PANEL ASSY, FRONT	1D	1D	
35	3530A20007	GRILLE ASSY, DISCHARGE	1B	1B	
36	4960AP1361	MOUNT MOTOR	1A	1A	
37	3H03266	COVER ASSY, TOP	1J	1J	
38	4791AP30004	BARRIER ASSY, OUTDOOR	1A	1A	
39	3551A3002B	COVER ASSY, CONTROL	1A	1A	
40	4H01050	CLIP	2A	2A	
41	4H2958	CLAMP, CORD	1A	1A	

8. Outdoor Unit (LM-1963H2L/M, LM-2163H2L/M)

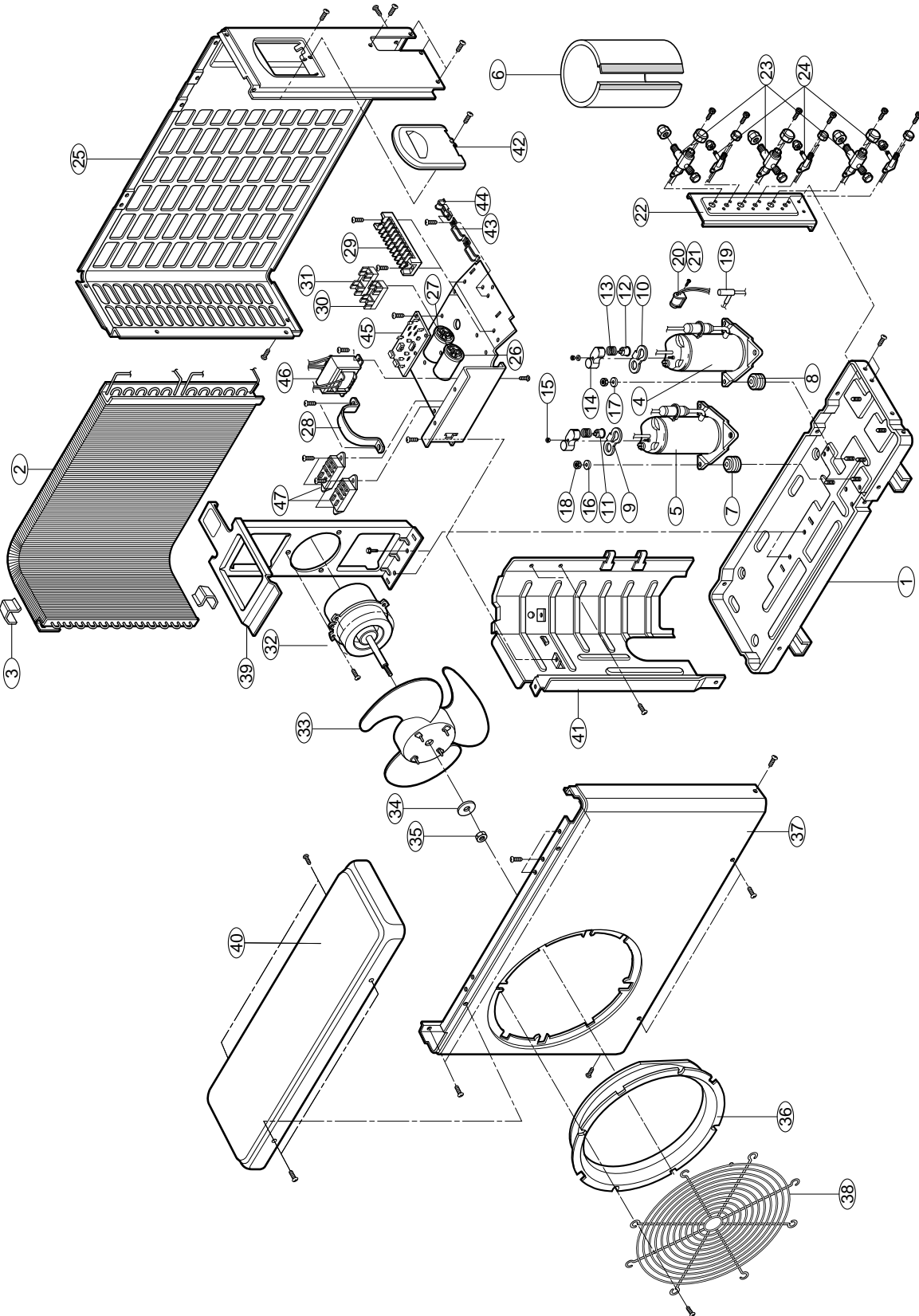


Parts List(Outdoor Unit)

No.	PART No.	DESCRIPTION	Q/TY		REMARK
			LM-1963H2L/M	LM-2163H2L/M	
1	3041AP2741	BASE ASSY(OUTDOOR)	1G	1H	
2	5403AP2740	CONDENSER ASSY, BENT	1M	1S	
3	4A01556	HOLDER,COND	2A	2A	
4	2H02229	COMPRESSOR ASSY	1X		
	5416A20003	COMPRESSOR ASSY		1L	
5	2H02229	COMPRESSOR ASSY	1X	1X	
6	4H00982	ISOLATOR, COMP		3E	
	4984AR4361	ISOLATOR, COMP	3A		
7	4984AR4361	ISOLATOR,COMP	3A	3A	
8	3096AR2989	SOUND PROOF	1A		
9	4986U-L001B	GASKET	1		
	4986U-L004A	GASKET		1	
10	4986U-L001B	GASKET	1	1	
11	6750U-L010A	O.L.P.	1		
	6750U-L005A	O.L.P.		1	
12	6750U-L010A	O.L.P.	1	1	
13	4790U-L002A	SPRING	2	2	
14	3550U-L002D	TERMINAL COVER	1		
	3550U-L005A	TERMINAL COVER		1	
15	3550U-L002D	TERMINAL COVER	1	1	
16	4H00947	NUT, HEXAGON FLANGE	2A	2A	
17	4810AR4155	BRACKET, WASHER	3A		
	4H01811			3C	
18	4810AR4155	BRACKET, WASHER	3A	3A	
19	1NHA0801206	NUTS HEXAGON[1]	6	6	
20	5220AR3084	VALVE REVERSING	1A		
	3A02027			1A	
21	5220AR3084	VALVE REVERSING	1A	1A	
22	6141AR3509	COIL ASSY, REVERSING VALVE	1C	1C	
23	6141AR3509	COIL ASSY, REVERSING VALVE	1D	1D	
24	4908AR1016	SUPPORTER, VALVE	1F	1F	
25	2A00393	VALVE SERVICE(3/8)	1S		
	2H01890	VALVE SERVICE(1/2)		1D	
26	2A00393	VALVE SERVICE(3/8)	1S	1S	
27	2H02479	VALVE SERVICE(1/4)	2D	2D	
28	1A00207	GRILLE, REAR	1B	1B	
29	1A00201	PANEL ASSY, SIDE	1D	1D	
30	3A02284	PANEL ASSY, SIDE	1M	1M	
31	6120AR2194	CAPACITOR	1F	1D	
32	3A00988	CAPACITOR	1B	1B	
33	4H00442	CLAMP, CAPACITOR	1P	1P	

No.	PART No.	DESCRIPTION	Q/TY		REMARK
			LM-1963H2L/M	LM-2163H2L/M	
34	3A00093	TERMINAL BLOCK	1A	1A	
35	3H00390	TERMINAL BLOCK	1A	1A	
36	3H00390	TERMINAL BLOCK	1B	1B	
37	4681A20013	MOTOR ASSY, AC	1A	1A	
38	1A00195	FAN ASSY, PROPELLER	1B	1B	
39	1WPA0800014	WASHER, PLAIN	1	1	
40	1NHA0801206	NUTS HEXAGON[1]	1	1	
41	4948AP2527	ORIFICE	1A	1A	
42	3721A20004	PANEL ASSY, FRONT	1E	1E	
43	3530A20007	GRILLE ASSY, DISCHARGE	1B	1B	
44	4960AP1361	MOUNT MOTOR	1A	1A	
45	3H03266	COVER ASSY, TOP	1L	1L	
46	4791A30004	BARRIER ASSY, OUTDOOR	1A	1A	
47	3551AP7042	COVER ASSY, CONTROL	1D	1D	
48	4H01050	CLIP	2A	2A	
49	4H2958	CLAMP, CORD	1A	1A	
50	6871A20031	PWB(PCB) ASSY, MAIN	1J	1J	
51	6323AQ2333	THERMISTOR ASSY	1A	1A	
52	6171AQ3198	TRANSFORMER POWER	1A	1A	

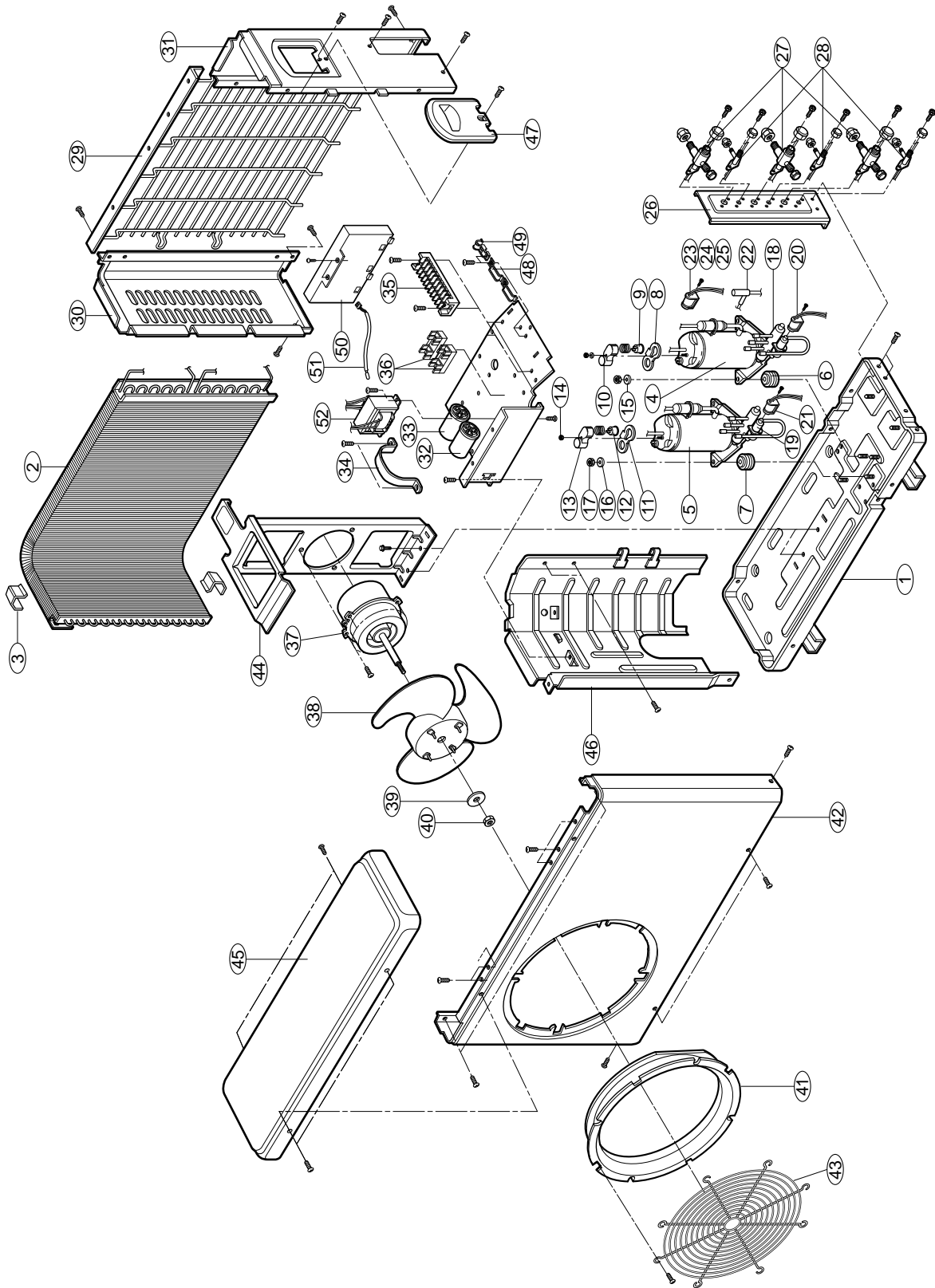
9. Outdoor Unit (LM-2064C3L/M)



Parts List(Outdoor Unit)

No.	PART No.	DESCRIPTION	Q/TY	REMARK
			LM-2064C3L/M	
1	3041AP2741	BASE ASSY(OUTDOOR)	1G	
2	5403AP2740	CONDENSER ASSY, BENT	1R	
3	4A01556	HOLDER,COND	2A	
4	2H02229	COMPRESSOR ASSY	1V	
5	5417AR2760	COMPRESSOR ASSY	1K	
6	3096AR2989	SOUND PROOF	1A	
7	4830AR4335	ISOLATOR,COMP	3A	
8	4983AR4361	ISOLATOR ,COMP	3A	
9	4986U-L001B	GSAKET	1	
10	4986U-L001G	GSAKET	1	
11	6750U-L010A	O.L.P.	1	
12	6750U-L040A	O.L.P.	1	
13	4790U-L002A	SPRING	2	
14	3550U-L002D	COVER,TERMINAL	2	
15	4H00947	NUT, HEXAGON FLANGE	2A	
16	4810AR4155	BRACKET, WASHER	3B	
17	4810AR4155	BRACKET, WASHER	3B	
18	1NHA0601306	NUTS HEXAGON[1]	6	
19	5220A90002	VALVE,SOLENOID	2A	
20	6421A20001	SOLENOID ASSY	1A	
21	6421A20001	SOLENOID ASSY	1B	
22	4908AR1016	SUPPORTER, VALVE	1E	
23	2A00393	VALVE SERVICE(3/8)	3S	
24	2H02479	VALVE SERVICE(1/4)	3D	
25	3720AP0003	PANEL ASSY,REAR	1F	
26	6120AR2194	CAPACITOR	1F	
27	2A00986	CAPACITOR	1G	
28	4H00442	CLAMP, CAPACITOR	1P	
29	3A00093	TERMINAL BLOCK	1A	
30	3A00390	TERMINAL BLOCK	1A	
31	3A00390		1B	
32	4681A20013	MOTOR ASSY, AC	1A	
33	1A00195	FAN ASSY, PROPELLER	1B	
34	1WPA0800014	WASHER, SPRING LOCK	1	
35	1NHA0801206	NUTS HEXAGON[1]	1	
36	4948AP2527	ORIFICE	1A	
37	3721A20004	PANEL ASSY, FRONT	1D	
38	3530A20007	GRILLE ASSY, DISCHARGE	1B	
39	4960AP1361	MOUNT MOTOR	1A	
40	3H03266	COVER ASSY, TOP	1J	
41	4791A30004	BARRIER ASSY, OUTDOOR	1A	
42	3551A30028	COVER ASSY, CONTROL	1C	
43	4H01050	CLIP	2A	
44	4H2958	CLAMP, CORD	1A	
45	6871A20031	PWB(PCB) ASSY, MAIN	1M	
46	6171AQ3198	TRANSFORMER POWER	1A	
47	3A00261	RELAY,POWER	2C	

10. Outdoor Unit (LM-2063H3L/M)

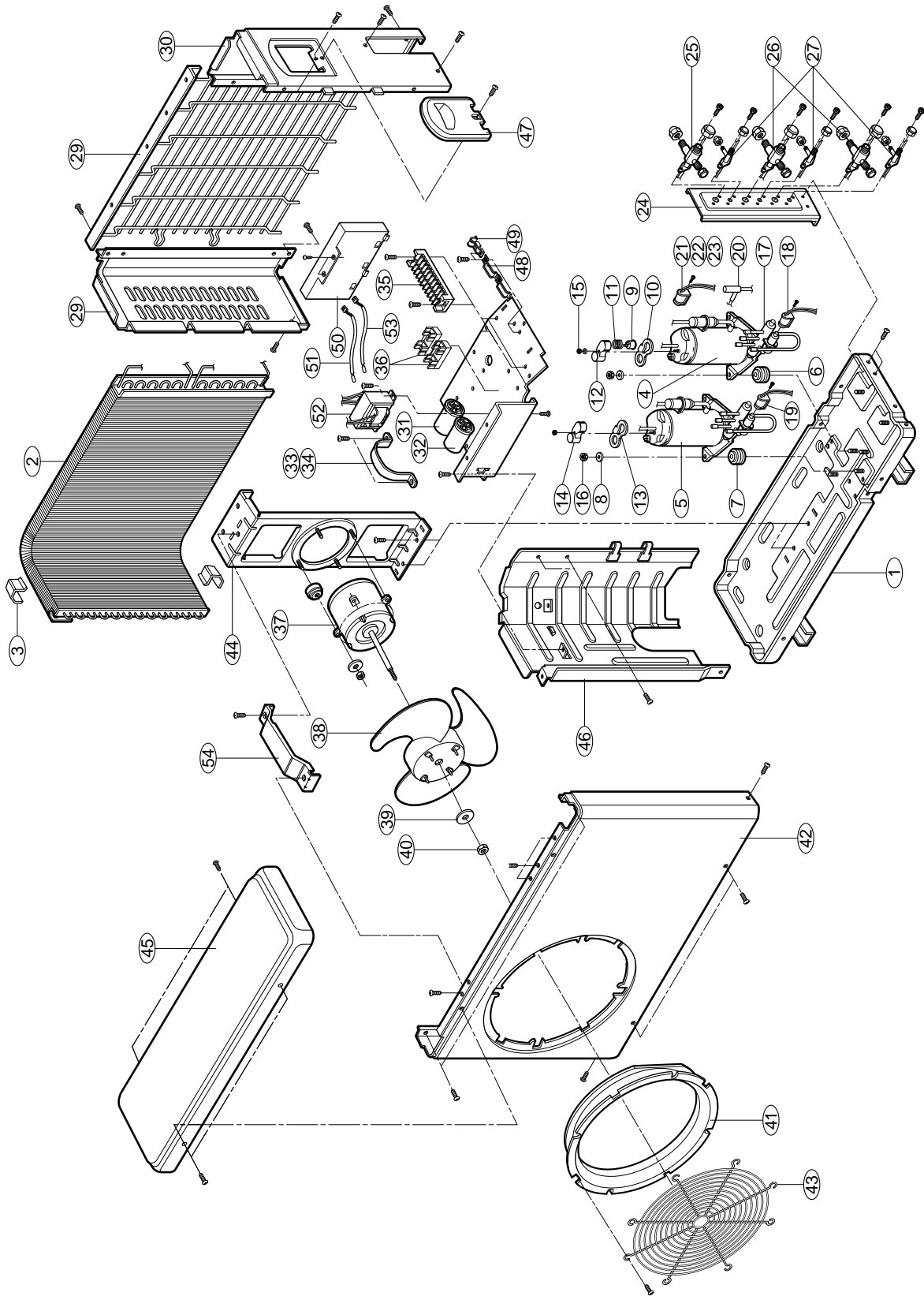


Parts List(Outdoor Unit)

No.	PART No.	DESCRIPTION	Q/TY	REMARK
			LM-2063H3L/M	
1	3041AP2741	BASE ASSY(OUTDOOR)	1H	
2	5403AP2740	CONDENSER ASSY, BENT	1U	
3	4A01556	HOLDER,COND	2A	
4	2H02229	COMPRESSOR ASSY	1V	
5	5416A20003	COMPRESSOR ASSY	1L	
6	4984AR4361	ISOLATOR,COMP	3A	
7	4H00982	ISOLATOR,COMP	3E	
8	4986U-L001B	GASKET	1	
9	6750U-L010A	O.L.P.	1	
10	3550U-L002D	COVER,TERMINAL	1	
11	4986U-L004A	GASKET	1	
12	6750U-L005A	O.L.P.	1	
13	3550U-L005A	COVER,TERMINAL	1	
14	4H00947	NUT, HEXAGON FLANGE	2A	
15	4810AR4155	BRACKET, WASHER	3A	
16	4810AR4155	BRACKET, WASHER	3A	
17	1NHA0801206	NUTS HEXAGON[1]	6	
18	5220AR3084	VALVE REVERSING	1A	
19	3A02027	VALVE REVERSING	1A	
20	6141AR3509	COIL ASSY, REVERSING VALVE	1A	
21	6141AR3509	COIL ASSY, REVERSING VALVE	1B	
22	5220A90002	VALVE,SOLENOID	3A	
23	6421A20001	SOLENOID ASSY	1E	
24	6421A20001	SOLENOID ASSY	1F	
25	6421A20001	SOLENOID ASSY	1G	
26	4908AR1016	SUPPORTER, VALVE	1E	
27	2A00393	VALVE SERVICE(3/8)	3S	
28	2H02479	VALVE SERVICE(1/4)	3D	
29	1A00207	GRILLE, REAR	1B	
30	1A00201	PANEL ASSY, SIDE	1D	
31	3A02284	PANEL ASSY, SIDE	1M	
32	6120AR2194	CAPACITOR	1D	
33	2A00986	CAPACITOR	1G	
34	4H00442	CLAMP, CAPACITOR	1P	
35	3A00093	TERMINAL BLOCK	1A	
36	3H00390	TERMINAL BLOCK	2A	
37	4681A20013	MOTOR ASSY, AC	1A	
38	1A00195	FAN ASSY, PROPELLER	1B	
39	1WPA0800014	WASHER, PLAIN	1	
40	1NHA0801206	NUTS HEXAGON[1]	1	

No.	PART No.	DESCRIPTION	Q/TY	REMARK
			LM-2063H3L/M	
41	4948AP2527	ORIFICE	1A	
42	3721A20004	PANEL ASSY, FRONT	1E	
43	3530A20007	GRILLE ASSY, DISCHARGE	1B	
44	4960AP1361	MOUNT MOTOR	1A	
45	3H03266	COVER ASSY, TOP	1L	
46	4791A30004	BARRIER ASSY, OUTDOOR	1A	
47	3551A30028	COVER ASSY, CONTROL	1B	
48	4H01050	CLIP	2A	
49	4H2958	CLAMP, CORD	1A	
50	6871A20031	PWB(PCB) ASSY, MAIN	1L	
51	6323A20002	THERMISTOR ASSY	1A	
52	6171AQ3198	TRANSFORMER POWER	1A	

11. Outdoor Unit (LM-3063H3L/M)

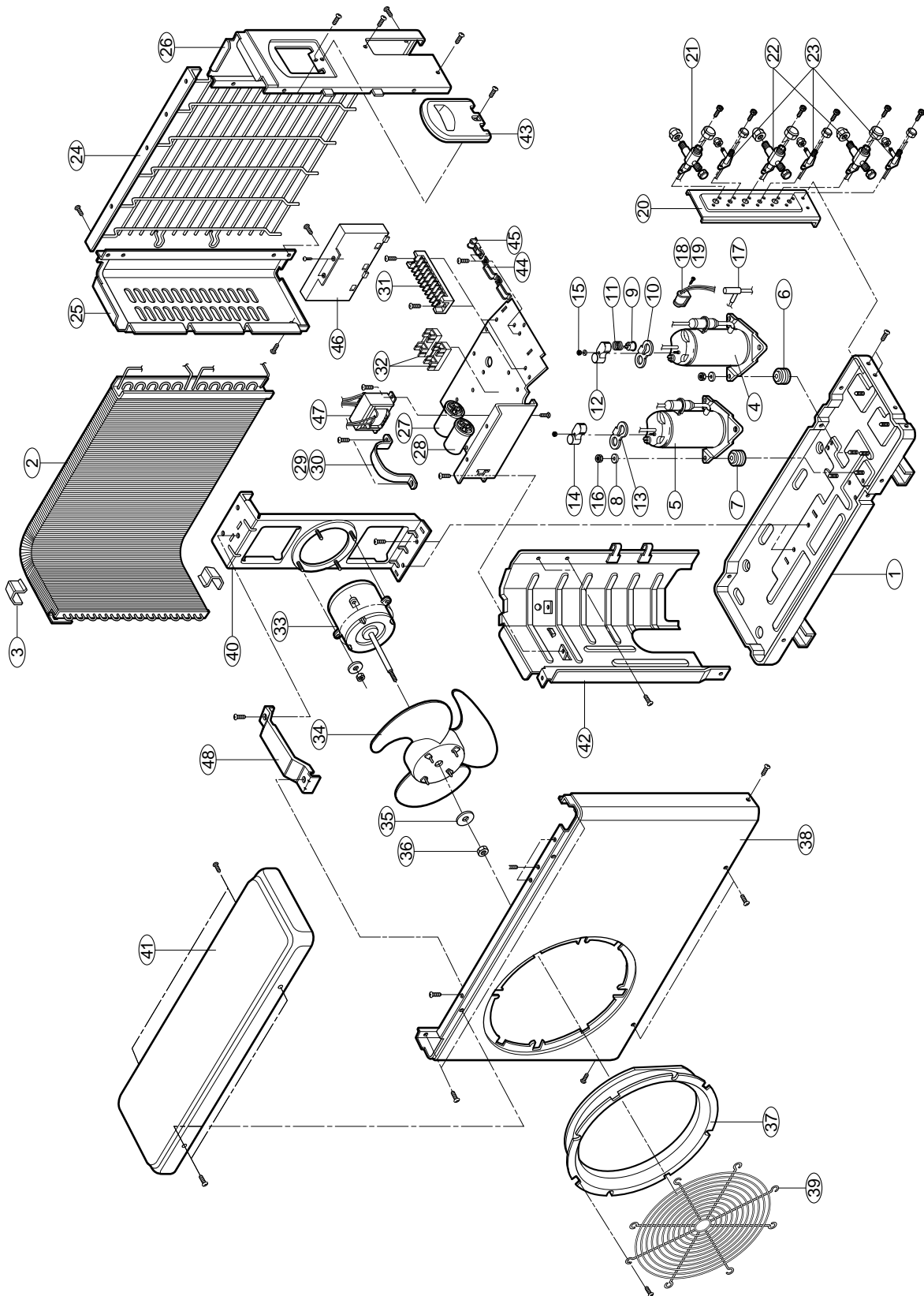


Parts List(Outdoor Unit)

No.	PART No.	DESCRIPTION	Q/TY	REMARK
			LM-3063H3L/M	
1	3041AP2741	BASE ASSY(OUTDOOR)	1L	
2	6140AP2096	CONDENSER ASSY, BENT	1F	
3	4A01556	HOLDER,COND	2A	
4	5417AR2760	COMPRESSOR ASSY	1K	
5	2H02564	COMPRESSOR ASSY	1F	
6	4830AR4335	ISOLATOR,COMP	3A	
7	5040AR9417	RUBBER,GROMMET	3A	
8	4810AR4155	BRACKET,WASHER	6A	
9	6750U-L040A	O.L.P.	1	
10	4986U-L001G	GASKET	1	
11	4790U-L002A	SPRING	1	
12	3550U-L002D	COVER,TERMINAL	1	
13	4986AR9412	GASKET	1A	
14	3550AR9411	COVER,TERMINAL	1A	
15	4H00947	NUT, HEXAGON FLANGE	2A	
16	1NHA0801206	NUTS HEXAGON[1]	6	
17	3A02027	VALVE REVERSING	2A	
18	6141AR3509	COIL ASSY, REVERSING VALVE	1C	
19	6141AR3509	COIL ASSY, REVERSING VALVE	1B	
20	5220A90002	VALVE,SOLENOID	3A	
21	6421A20001	SOLENOID ASSY	1A	
22	6421A20001	SOLENOID ASSY	1B	
23	6421A20001	SOLENOID ASSY	1G	
24	4908AR1016	SUPPORTER, VALVE	1E	
25	2H01890	VALVE SERVICE(1/2)	1D	
26	2A00393	VALVE SERVICE(3/8)	2S	
27	2H02479	VALVE SERVICE(1/4)	3D	
28	1A00208	GRILLE, REAR	1D	
29	1A00202	PANEL ASSY, SIDE	1C	
30	3A02284	PANEL ASSY, SIDE	1R	
31	6120AR2194	CAPACITOR	1F	
32	3A00988	CAPACITOR	1B	
33	4H00442	CLAMP, CAPACITOR	1F	
34	4H00442	CLAMP, CAPACITOR	1C	
35	3A00093	TERMINAL BLOCK	1A	
36	3H00390	TERMINAL BLOCK	2A	
37	4681A20008	MOTOR ASSY, AC	1N	
38	1A00195	FAN ASSY, PROPELLER	1B	
39	1WPA0800014	WASHER, PLAIN	1	
40	1NHA0801206	NUTS HEXAGON[1]	1	
41	4948AP2527	ORIFICE	1A	

No.	PART No.	DESCRIPTION	Q/TY	REMARK
			LM-3063H3L/M	
42	1A00197	PANEL ASSY, FRONT	1C	
43	3530A20007	GRILLE ASSY, DISCHARGE	1B	
44	1A00206	MOUNT MOTOR	1B	
45	3H03266	COVER ASSY, TOP	1H	
46	4791A30004	BARRIER ASSY, OUTDOOR	1B	
47	3551A30028	COVER ASSY, CONTROL	1B	
48	4H01050	CLIP	2A	
49	4H2958	CLAMP, CORD	1A	
50	6871A20031	PWB(PCB) ASSY, MAIN	1L	
51	6323A20002	THERMISTOR ASSY	1A	
52	6171AQ3198	TRANSFORMER POWER	1A	
53	3Q35027	THERMOSTAT ASSY	1H	
54	3A01934	BRACKET(MOTOR)	1A	

12. Outdoor Unit (LM-3063C3L/M)



Parts List(Outdoor Unit)

No.	PART No.	DESCRIPTION	Q/TY	REMARK
			LM-3063C3L/M	
1	3041AP2741	BASE ASSY(OUTDOOR)	1L	
2	6140AP2095	CONDENSER ASSY, BENT	1C	
3	4A01556	HOLDER,COND	2A	
4	5417AR2760	COMPRESSOR ASSY	1K	
5	2H02564	COMPRESSOR ASSY	1F	
6	4830AR4335	ISOLATOR,COMP	3A	
7	5040AR9417	RUBBER,GROMMET	3A	
8	4810AR4155	BRACKET,WASHER	6A	
9	6750U-L040A	O.L.P.	1	
10	4986U-L001G	GASKET	1	
11	4790U-L002A	SPRING	1	
12	3550U-L002D	COVER,TERMINAL	1	
13	4986AR9412	GASKET	1A	
14	3550AR9411	COVER,TERMINAL	1A	
15	4H00947	NUT, HEXAGON FLANGE	2A	
16	1NHA0801206	NUTS HEXAGON[1]	6	
17	5220A90002	VALVE,SOLENOID	2A	
18	6421A20001	SOLENOID ASSY	1A	
19	6421A20001	SOLENOID ASSY	1B	
20	4908AR1016	SUPPORTER, VALVE	1E	
21	2H01890	VALVE SERVICE(1/2)	1F	
22	2A00393	VALVE SERVICE(3/8)	2S	
23	2H02479	VALVE SERVICE(1/4)	3D	
24	1A00208	GRILLE, REAR	1D	
25	1A00202	PANEL ASSY, SIDE	1C	
26	3A02284	PANEL ASSY, SIDE	1R	
27	6120AR2194	CAPACITOR	1F	
28	3A00988	CAPACITOR	1B	
29	4H00442	CLAMP, CAPACITOR	1F	
30	4H00442	CLAMP, CAPACITOR	1C	
31	3A00093	TERMINAL BLOCK	1A	
32	3H00390	TERMINAL BLOCK	2A	
33	4681A20008	MOTOR ASSY, AC	1N	
34	1A00195	FAN ASSY, PROPELLER	1B	
35	1WPA0800014	WASHER, PLAIN	1	
36	1NHA0801206	NUTS HEXAGON[1]	1	
37	4948AP2527	ORIFICE	1A	
38	1A00197	PANEL ASSY, FRONT	1C	
39	3530A20007	GRILLE ASSY, DISCHARGE	1B	
40	1A00206	MOUNT MOTOR	1B	
41	3H03266	COVER ASSY, TOP	1H	

No.	PART No.	DESCRIPTION	Q/TY	REMARK
			LM-3063C3L/M	
42	4791A30004	BARRIER ASSY, OUTDOOR	1B	
43	3551A30028	COVER ASSY, CONTROL	1E	
44	4H01050	CLIP	2A	
45	4H2958	CLAMP, CORD	1A	
46	6871A20031	PWB(PCB) ASSY, MAIN	1N	
47	6171AQ3198	TRANSFORMER POWER	1A	
48	3A01934	BRACKET(MOTOR)	1A	

