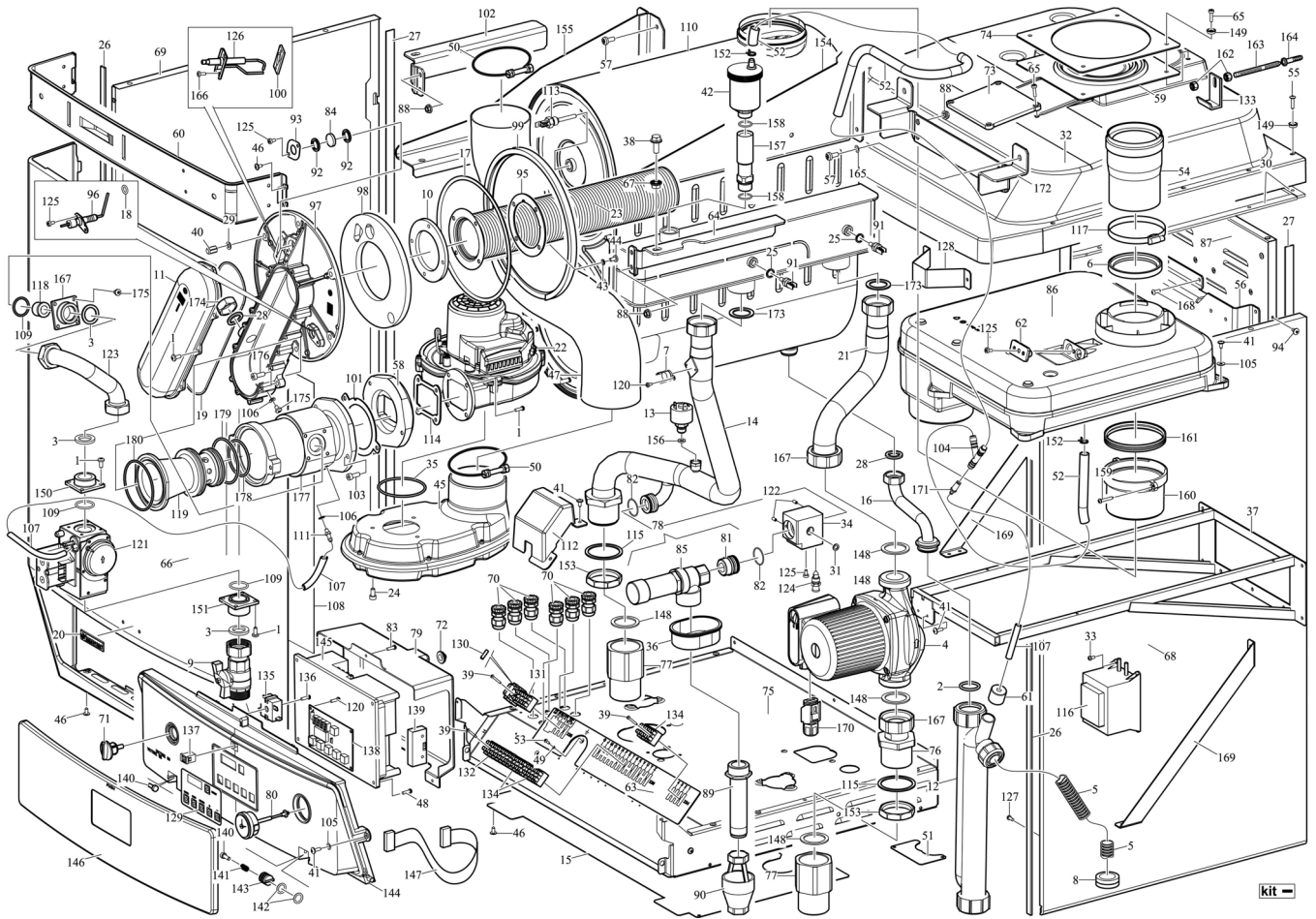




SERIAL NUMBER START OF SERIES	21/10/09
4218242	3.020426

VICTRIX 115 1 I

55DE



kit

N.	CODE	DESCRIPTION	SERIAL NUMBER START OF SERIES
-	3.020717	Complete control panel	
1	1.0151	Crossheaded screw (M5x12)	
2	1.013421	25.81x3.53 O-ring, viton	
3	1.023511	Gasket (30x22x2)	
4	1.028715	Pump (25-105)	
5	1.019654	Flexible hose for siphon	
6	1.020368	Lip gasket (d.80)	
7	1.016870	Klixon thermostat 105 °C	
8	1.018862	Pipe grommet drain trap	
9	1.029221	Gas cock straight (1")	
10	1.025910	Graphite gasket for burner	
11	1.028986	Gas manifold cover	
12	1.028679	Plastic siphon	
13	1.018320	Absolute pressure switch	
14	1.028691	D.35 pipe,module-delivery manifold	
15	2.014070	Bottom protective grid	
16	1.028680	Condensate drain pipe	
17	1.020211	Cord packing	
18	1.026455	Red silicone O-ring (9,19x2,62)	
19	1.025357	Gas manifold cover gasket	
20	1.012874	Plastic "Immergas" nameplate	
21	1.028692	D.35 pipe,pump - water gas module	
22	1.028674	Fan	
23	1.028277	Burner	
24	1.6093	M6x8 screw, crosshead	
25	1.012711	Self-centring gasket	
26	1.019761	Adhesive foam strip (d.5x2)	
27	1.019721	Adhesive foam strip (d.10x1,5)	
28	3.A0120	Gasket kit (3/4")	
29	2.010982	Copper washer (6x12x1)	
30	1.012365	Adhesive foam strip (d.15x6)	
31	3.A0184	Gasket kit (1/4")	
32	1.028704	Casing cover	
33	1.011114	Crossheaded self-tapping screw (3,9x9,5)	
34	1.028693	Valve holder	
35	1.028685	Nitrile O-Ring (70x3,70 sh)	
36	1.018873	Drain valve fairlead	
37	1.028673	Sides and cross member supporting frame	
38	1.025544	Bolt (M8x20)	
39	1.017229	Cupheaded self-tapping screw (2,9x22)	
40	1.018592	Blind nut (M6)	
41	1.7022	Tropicalized crosshead self-tapping screw (4,2x9,5)	
42	1.2295	Automatic vent valve	
43	1.012468	Stainless steel elastic washer (M5)	
44	1.2217	M5x12 screw, crosshead, stainless steel	
45	3.020433	Air intake adaptor	
46	1.4066	Self-tapping screw (3,5x9,5)	
47	1.028689	Air intake pipe	
48	1.4139	Crossheaded self-tapping screw (3,9x13)	
49	1.4246	Lock washer (M4)	
50	1.028687	Clip wirelocking (d.100)	
51	2.014069	Siphon bracket	
52	1.016187	Silicone tube (8x12)	
53	1.016246	Crossheaded self-forming screw (M4x8)	
54	1.019637	Flue exhaust pipe (d.80)	
55	1.019640	Cone pointed crossheaded self-tapping screw (4,2x19)	
56	2.014060	Module mount	
57	1.0143	Crossheaded swageform screw (M6x15)	
58	1.028683	Connecting flange fan - venturi	
59	1.019845	Hole gasket (d.80)	
60	2.010721	Sides fixing cross member	
61	1.029138	Plastic siphon cover	
62	1.025278	Plug for flange with sample points	
63	1.027707	Silk-screen printing plate for electrical connections	
64	2.013679	Condensation module Rx long bracket	
65	1.020312	Stainless steel crossheaded screw (M4x16)	
66	2.012301	Front casing	
67	1.025545	Nut (M8)	
68	2.014071	Rx casing	
69	2.014072	Lx casing	
70	1.7703	Cable clamp + ring nut	
71	1.010263	Main switch knob	
72	1.6406	Silicone fairlead (d.5)	
73	1.023379	Sample points cover	

74	2.012299	Gasket locking flange	
75	nfs	Valve supporting plate	
76	3.020648	Pump coupler fitting	
77	1.028697	Heating system flow fitting connection	
78	3.015382	Safety valve group (4 bar)	
79	1.028862	Control panel back cover	
80	1.027199	Manometer	
81	1.018877	Safety valve fixing fitting	
82	1.2558	Nitrile O-Ring (23,52x1,78, 70 sh)	
83	1.2265	"Rapid fix" self-tapping screw (3,2x9,5)	
84	1.028713	Ceramic glass (d.20)	
85	1.018879	Safety valve (4 bar)	
86	3.020422	Flue hood group	
87	nfs	Back unit	
88	1.025911	Nut (M6)	
89	1.011654	Short nipple (G1M-G3/4M,ch.36)	
90	1.018870	Draining funnel	
91	1.023435	NTC fast immersion probe	
92	1.024898	Gasket for module inspection hole	
93	2.013322	Flange for module cover inspection hole	
94	1.4557	Crossheaded self-tapping screw with shoulder (4,2x9,5)	
95	1.028684	Burner locking flange	
96	1.028852	Detection electrode	
97	1.028675	Gas manifold	
98	1.023799	Ecological fibre panel cover	
99	1.026772	Gas manifold gasket	
100	1.024884	Ignition electrode gasket	
101	1.029193	Venturi gasket	
102	2.013680	Condensation module Lx long bracket	
103	1.1248	Crossheaded screw (M6x18)	
104	1.024387	"Y" hose union	
105	1.8599	Washer (4,3x12)	
106	1.016869	Annealed copper washer (10x5x1)	
107	1.025986	Silicone pipe (4x8)	
108	1.024678	Insulating sheet	
109	1.2231	Nitrile O-Ring (25,07x2,62, 70 sh)	
110	1.028253	Condensation module	
111	1.2364	Brass pressure point	
112	1.025432	Electrical connections box	
113	1.028832	NTC fast immersion probe	
114	1.029195	Fan gasket	
115	1.029464	Gasket (58x50x2)	
116	1.025780	Transformer	
117	1.025142	Clip	
118	1.029229	Gas nozzle (d.12,75)	
118	1.029230	Gas nozzle (d.9,80)	
119	1.029187	Venturi	
119	1.029228	LPG Venturi	
120	1.1656	Nickel-plated crosshead self-tapping screw (3,5x6,4)	
121	1.028678	"Dungs" gas valve	
122	1.2169	Cone pointed grub screw (M4x10)	
123	1.028681	Gas valve - venturi pipe (d.25)	
124	1.4275	Drain fitting with hose union	
125	1.2170	Crossheaded screw (M4x8)	
126	1.028702	Ignitor	
127	1.0152	Crossheaded self-tapping screw (3,9x9,5)	
128	2.014063	Module supporting bottom bracket	
129	1.025376	Adhesive for display	
130	1.6098	Fuse (5x20,2 A,250 V)	
131	1.4005	5-way terminal block with fuse housing	
132	1.019641	7-way terminal block	
133	2.010615	Boiler supporting bracket	
134	1.7748	4-way terminal block	
135	1.6658	Two-position main switch	
136	1.8864	Cone pointed "Rapid fix" self-tapping screw (3,2x9,5)	
137	1.019758	Push to open door lock	
138	1.019405	Display (4 digit)	
139	1.019406	Clip in for EBV	
140	1.019408	Stud for door rotation	
141	1.019417	Torsion spring	
142	1.019643	Peroxide O-Ring (11,90x2,62,83sh)	
143	1.019717	Cover for spring door	
144	1.029197	Control panel bezel with gasket	
145	1.029224	PCB	
146	3.015149	Control panel door group	
147	1.020216	Display-PCB connection wiring	
148	1.025279	Gasket (44x34x2)	
149	1.025257	Self-tapping screw gasket (4,2x13,1)	
150	1.029192	Top flange	
151	1.029196	Bottom flange	

152	1.016967	Spring pipe clamp for silicone pipe (d.22)	
153	1.028694	G 1-1/2" shallow nut	
154	2.014061	Water-gas module right mount	
155	2.014062	Water-gas module left mount	
156	1.027887	Gasket (11,5x6,1x2)	
157	1.024688	Automatic vent valve extension	
158	1.016948	Nitrile O-Ring (18x2,70 sh)	
159	1.2337	Crossheaded self-tapping screw (3,9x25)	
160	1.028682	Connecting flange condensation module - flue outlet	
161	1.028900	Gasket (d.100)	
162	1.1116	Nut (M8)	
163	1.1586	Masonry turned screw (M8)	
164	1.1587	Plastic masonry plug	
165	1.1161	Washer (6,4x12,5x1,6)	
166	1.7349	Crossheaded screw (M4x10)	
167	1.029233	Exterior housing venturi,flange	
168	1.5831	Crossheaded flat pointed self-tapping screw (4,2x13)	
169	2.014133	Cross member, valve supporting plate	
170	1.028983	Connector , pump	
171	1.026993	Adapter	
172	2.014172	Bracket, rear, condensation module mount	
173	1.026210	Gasket (38x28x2)	
174	1.0257	Brass plug (3/4"F)	
175	1.1176	Crossheaded screw (M5x8)	
176	1.029493	Crossheaded screw (M6x25)	
177	1.029188	Exterior housing, venturi	
178	1.029189	Nitrile O-Ring (54x3 sh)	
179	1.029191	Nitrile O-Ring (68x3 sh)	
180	1.029190	Silicone O-ring (75,87x2,62)	