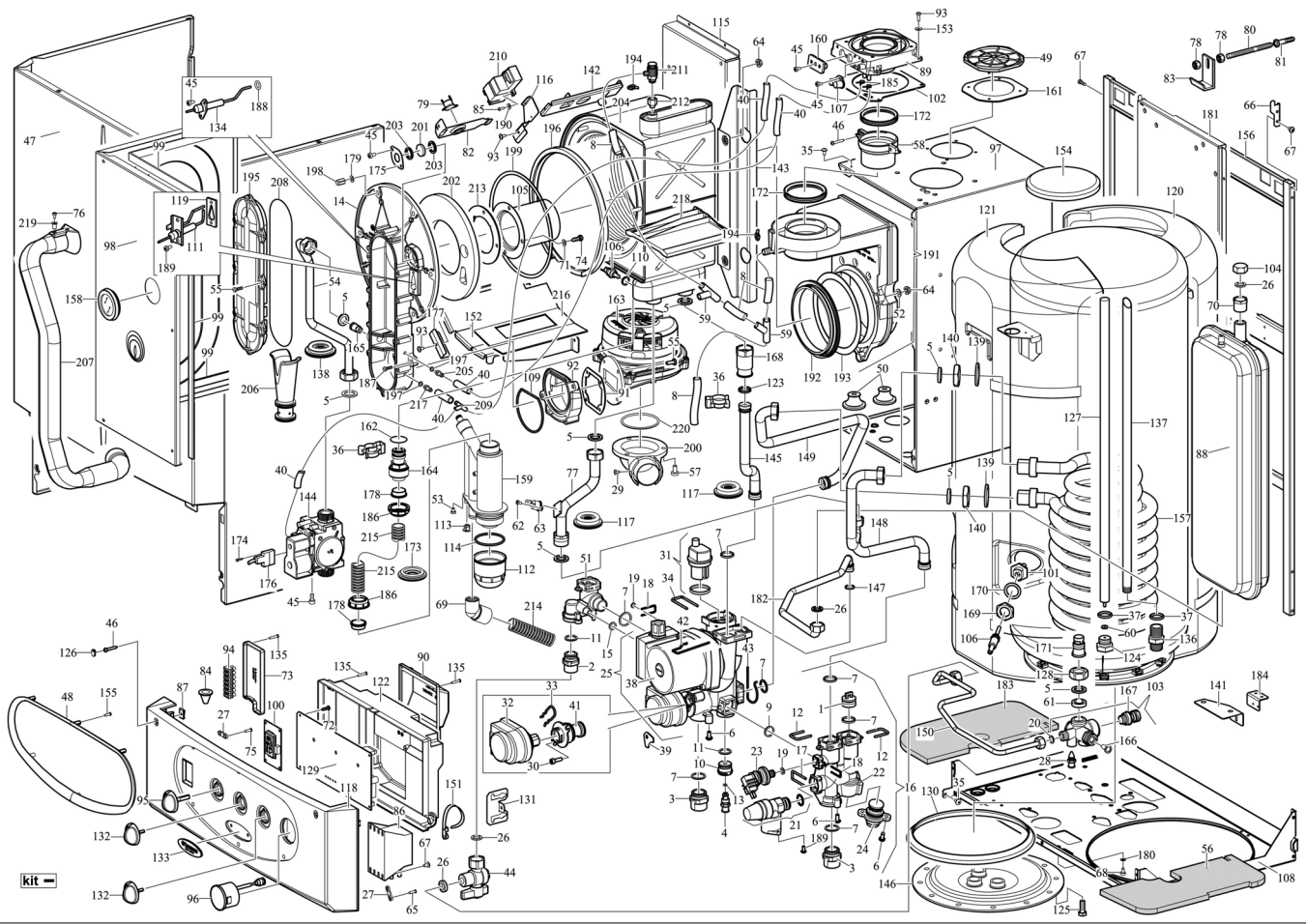




SERIAL NUMBER START OF SERIES: 21/04/09
4118427 3.020319

VICTRIX ZEUS 26 1 I

50DE



N.	CODE	DESCRIPTION	SERIAL NUMBER START OF SERIES
-	3.015279	Masonry plug and bracket boiler wall mounting kit	
-	3.018498	Hydraulic group	
-	3.019454	Cylinder - complete	
-	3.019460	Complete control panel	
1	1.015085	Pipe plug (d.18)	
2	1.015087	Fitting (G1/2" M)	
3	1.015232	Fitting with O-Ring seat (G3/4")	
4	1.015262	Drain fitting with O-Ring seat	
5	3.A0120	Gasket kit (3/4")	
6	1.016283	Self-tapping screw for plastic (5x14)	
7	1.017612	Epdm O-Ring (18,00x2,8, 83sh)	
8	1.016187	Silicone tube (8x12)	
9	1.019496	Epdm O-Ring (13,94x2,62, 70 sh)	
10	1.019538	Drain fitting insert	
11	1.019552	Epdm O-Ring (15,88x2,62, 83sh)	
12	1.020486	Pipe clip (d.18)	
13	1.021393	Peroxide epdm O-Ring (1,8x2,65, 70 sh)	
14	1.025506	Gas manifold	
15	1.2120	Nitrile O-Ring (9,19x2,62, 70 sh)	
16	3.015076	By-pass group	
17	1.015088	Safety valve locking clip	
18	1.016801	Pressure switch locking clip	
19	1.026457	Epdm O-Ring (7,6x2,62, 70 sh)	
20	3.A1124	Gasket kit (3/8",n°50)	
21	1.017589	Safety valve (3-bar) with O-Ring	
22	1.019539	By-pass flow manifold body	
23	1.022042	Absolute pressure switch	
24	3.013731	By-pass complete cartridge	
25	3.018497	3-way valve pump group	
26	3.A1363	Gasket kit (1/2",n°50)	
27	1.7908	Black cable clamp	
28	1.4275	Drain fitting with hose union	
29	1.0152	Crossheaded self-tapping screw (3,9x9,5)	
30	1.010289	Tropicalized hex socket screw (M5x16)	
31	1.017113	Automatic vent valve + O-Ring	
32	1.018064	3-way valve motor	
33	1.018602	Motor locking clip	
34	1.018683	Automatic vent valve locking clip	
35	1.4557	Crossheaded self-tapping screw with shoulder (4,2x9,5)	
36	1.021829	Clip for exchanger pipes	
37	1.1114	Nitrile O-Ring (18,64x3,53, 70 sh)	
38	1.025303	Pump motor	
39	2.013419	Cartridge fixing bracket	
40	1.025986	Silicone pipe (4x8)	
41	3.013730	3way-valve complete cartridge	
42	1.019467	Pipe clip	
43	1.019403	Clip for rear connection	
44	1.019091	Filling valve	
45	1.2170	Crossheaded screw (M4x8)	
46	1.2337	Crossheaded self-tapping screw (3,9x25)	
47	2.013301	Casing framework	
48	1.024310	Frontal frame	
49	1.023624	Cap for hole d.80	
50	1.011131	Fairlead (d.8)	
51	1.021765	Filling manifold	
52	1.1161	Washer (6,4x12,5x1,6)	
53	1.0153	Crossheaded screw (M4x6)	
54	1.026859	Gas valve - manifold pipe (d.14)	
55	1.024084	Crossheaded screw (M5x14)	
56	1.027884	Rx insulating plate	
57	1.0017	Crossheaded screw (M6x12)	
58	1.024966	Connecting flange flue outlet - flange with sample points	
59	1.024387	"Y" hose union	
60	1.2125	Anode gasket	
61	1.018713	Flow limiter (10 litres)	
62	1.1656	Nickel-plated crosshead self-tapping screw (3,5x6,4)	
63	1.025797	Klixon thermostat 100°C	
64	1.025911	Nut (M6)	
65	1.7967	Crossheaded self-tapping screw (3,5x19)	
66	2.013745	Rx casing bracket	
67	1.2275	Flat pointed crossheaded self-tapping screw (4,2x9,5)	
68	1.016246	Crossheaded self-forming screw (M4x8)	
69	1.023581	Rubber adapter	
70	1.026856	Expansion vessel coupler fitting	
71	1.012468	Stainless steel elastic washer (M5)	

72	1.2265	"Rapid fix" self-tapping screw (3,2x9,5)	
73	1.027387	Electrical connections box cover	
74	1.8372	Stainless steel crosshead screw (M5x10)	
75	1.019119	Crossheaded self-tapping screw (3,5x13)	
76	1.2369	Crossheaded screw (M4x12)	
77	1.026830	Condensation module delivery pipe (d.18)	
78	1.1116	Nut (M8)	
79	1.025798	Klixon thermostat 110 °C	
80	1.1586	Masonry turned screw (M8)	
81	1.1587	Plastic masonry plug	
82	2.013860	Klixon bracket	
83	2.010615	Boiler supporting bracket	
84	1.019750	Silicone fairlead (d.4)	
85	1.6011	Crossheaded flat pointed self-tapping screw (3,5x9,5)	
86	1.028402	Transformer	
87	1.1378	Press-stud (11x16x3,5)	
88	1.026929	Expansion vessel (7 litres)	
89	1.024967	Flange with sample points	
90	1.024122	Connection group cover	
91	1.024680	Burner gasket	
92	1.017913	Fan fixing flange	
93	1.0110	Crossheaded flat pointed self-tapping screw (4,2x13)	
94	1.010464	7-way terminal block	
95	1.019279	Main switch knob	
96	1.026482	Manometer	
97	2.013691	Sealed chamber side panel	
98	3.019336	Sealed chamber cover group	
99	1.013154	Adhesive foam strip (d.15x3)	
100	nfs	Display board	
100	3.019259	Display board kit	
101	1.012668	Storage tank probe fitting	
102	1.017529	Gasket for flange with sample points	
103	3.018342	Complete filling group	
104	1.015258	1/2" F plug	
105	1.027592	Burner	
106	1.021762	NTC fast immersion probe	
107	1.025690	Pressure point cap	
108	2.013694	Valve supporting plate	
109	1.019181	Red silicone O-ring (72,69x2,62)	
110	1.012711	Self-centring gasket	
111	3.017477	Ignition electrode group	
112	1.019228	Siphon tank	
113	1.021892	Siphon plug	
114	1.026460	Peroxide epdm O-Ring (44,12x2,62)	
115	2.013692	Module mount	
116	2.013848	Spark generator bracket	
117	1.023434	Silicone fairlead (d.16)	
118	1.026932	Control panel bezel	
119	1.024884	Ignition electrode gasket	
120	1.026844	Rear insulation layer	
121	1.026843	Front insulation layer	
122	1.026866	Control panel back cover	
123	1.011141	Silicone O-ring (17,86x2,62, 70 sh)	
124	1.1122	Anode cap	
125	1.1760	Hex headed screw (M8x22)	
126	1.025003	Plug for control panel	
127	1.019458	Magnesium anode (d.16)	
128	1.8407	Nut for brass coupler (3/4" F)	
129	1.027616	PCB	
130	1.1759	Storage tank gasket	
131	2.010989	Bracket for control panel	
132	1.020487	Knob	
133	1.026831	Plastic "Immergas" nameplate	
134	1.027464	Detection electrode	
135	1.1142	"Rapid fix" self-tapping screw (3,2x16)	
136	1.2370	Storage tank fitting for cold inlet	
137	1.4508	Probe pipe (15x1x660)	
138	1.025064	Silicone fairlead (d.12,5)	
139	1.7012	Gasket (37x26,8x2, klingsil)	
140	2.3123	Locknut for coil (3/4"F)	
141	2.010611	Storage tank angle bracket	
142	2.013490	Condensation module Lx bracket	
143	2.013486	Condensation module Rx bracket	
144	1.018472	SIT 848 gas valve	
145	1.026829	Pump - sealed chamber pipe (d.18)	
146	2.4212	Storage tank cover	
147	1.018462	Epdm O-Ring (12,1x2,7, 83sh)	
148	1.026851	Heating system flow pipe (d.18)	
149	1.026847	Boiler return pipe (d.18)	
150	1.027342	Filling pipe (d.8)	
151	1.4072	Clip with clamp screw hole	
152	2.013367	Module mount bracket	

153	1.8599	Washer (4,3x12)	
154	1.020840	Insulation cap for storage tank	
155	1.1175	"Rapid fix" self-tapping screw (3,2x13)	
156	2.013689	Frame	
157	3.5183	Coil group	
158	3.012705	Glass inspection hole group with gasket	
159	3.017281	Plastic siphon	
160	1.025278	Plug for flange with sample points	
161	1.010334	Hole gasket (d.80)	
162	1.026459	Peroxide epdm O-Ring (17,86x2,62)	
163	1.024687	Fan	
164	1.023558	Plastic fitting	
165	1.022509	Gas nozzle (d.4,00)	
165	1.028350	Gas nozzle (d.5,60)	
166	1.8403	Stainless steel mesh filter	
167	1.A158	8 bar safety valve cartridge	
168	1.027687	Extension fitting (3/4" M) - socket (d.18)	
169	1.022437	Lowered brass nut (1/2"F)	
170	1.023511	Gasket (30x22x2)	
171	1.013387	Valve (G 1/2")	
172	1.021483	Silicone hood gasket	
173	1.027007	Silicone fairlead (d.21)	
174	1.013186	Screw (M3,5x16)	
175	2.013322	Flange for module cover inspection hole	
176	1.026516	Gas valve connector	
177	2.012600	Condensation module bracket	
178	1.021452	Gasket for flexible hose	
179	2.010982	Copper washer (6x12x1)	
180	1.4246	Lock washer (M4)	
181	2.013690	Sealed chamber back panel	
182	1.026858	Expansion vessel pipe (d.12)	
183	1.027885	Lx insulating plate	
184	2.010453	Storage tank angle bracket	
185	1.010500	Spring pipe clamp for silicone pipe (d.22)	
186	1.028444	Nut for flexible hose	
187	1.1248	Crossheaded screw (M6x18)	
188	1.026455	Red silicone O-ring (9,19x2,62)	
189	1.7349	Crossheaded screw (M4x10)	
190	1.011163	Tropicalized washer (3,2x7x0,5)	
191	3.018638	Flue hood group	
192	1.019698	Flue outlet lip gasket	
193	2.013334	Gasket ring	
194	1.016967	Spring pipe clamp for silicone pipe (d.22)	
195	1.010662	Gas manifold cover	
196	1.026772	Gas manifold gasket	
197	1.016869	Annealed copper washer (10x5x1)	
198	1.018592	Blind nut (M6)	
199	1.020211	Cord packing	
200	1.023261	Fan flange for pipe fixing	
201	1.028713	Ceramic glass (d.20)	
202	1.024543	Front ceramic fibre panel	
203	1.024898	Gasket for module inspection hole	
204	1.024972	Condensation module	
205	1.024996	Brass pressure point	
206	1.025035	Venturi	
207	1.025038	Air intake pipe	
208	1.025357	Gas manifold cover gasket	
209	1.6221	Hose union for silicone pipe	
210	1.025360	Spark generator	
211	1.025730	Manual air vent	
212	1.027027	Automatic vent valve, fitting	
213	1.025910	Graphite gasket for burner	
214	1.019654	Flexible hose for siphon	
215	1.026191	Flexible hose (I.370)	
216	1.027001	Adhesive foam mat	
217	1.027002	Brass pressure point	
218	1.027068	Fan protection	
219	1.027072	Rubber insert M4x12	
220	1.026530	Nitrile O-Ring (63x3,70 sh)	