



HITACHI

Inspire the Next

CH-UNIT

INSTALLATION AND OPERATION MANUAL
MANUAL DE INSTALACIÓN Y FUNCIONAMIENTO
INSTALLATIONS- UND BETRIEBSHANDBUCH
MANUEL D'INSTALLATION ET DE
FUNCTIONNEMENT
MANUALE D'INSTALLAZIONE E D'USO

MANUAL DE INSTALAÇÃO E DE
FUNCIONAMENTO
BRUGER- OG MONTERINGSVEJLEDNING
INSTALLATIE- EN BEDIENINGSHANDLEIDING
HANDBOK FÖR INSTALLATION OCH ANVÄNDNING
ΕΓΧΕΙΡΙΔΙΟ ΕΓΚΑΤΑΣΤΑΣΗΣ ΚΑΙ ΛΕΙΤΟΥΡΓΙΑΣ



MODELS:
CH-4.0NE
CH-8.0NE
CH-12.0N

Do not perform installation work, without referring to our installation manual.
No realice la instalación de este equipo, sin antes consultar este manual de instalación.
Bei der Installation unbedingt die Hinweise in der Installationsanleitung beachten.
Consulter notre manuel avant de réaliser une quelconque installation.
Realizzare l'installazione, seguendo quanto indicato in questo manuale.
Nao inicie os trabalhos de montagem, sem consultar o nosso manual de montagem.
Udfor ikke installationsarbejder uden først at konsultere vores vejledning.
Voer geen enkele handeling uit om de apparatuur alvorens deze handleiding te hebben doorgelezen.
Utför inte några installationsarbeten utan att först läsa var installationsmanual
Μην ήσετε στην εγκατάσταση, χωρίς πριν να έχετε συμβουλευθεί αυτο το εγχειρίδιο εγκατάστασης

ENGLISH

ESPAÑOL

DEUTCH

FRANÇAIS

ITALIANO

PORTUGUES

DANSK

NEDERLANDS

SVENSKA

ΕΛΛΗΝΙΚΑ

HITACHI

Specifications in this catalogue are subject to change without notice in order that
HITACHI may bring the latest innovations to their customers

Whilst every effort is made to ensure that all dimensions and specifications are correct,
any printers' errors not rectified are outside the control of HITACHI, who cannot be held
responsible for same



DANGER – Immediate hazard which WILL result in severe injury or death.
PELIGRO – Riesgos inmediatos que PRODUCIRÁN lesiones personales graves e incluso la muerte.
GEFAHR – Unmittelbare Gefahrenquellen, die zu schweren Verletzungen oder zum Tod führen.
DANGER – Dangers instantanés de blessures corporelles sévères ou de mort.
PERICOLO – Pericolo immediato che PRODURRÀ ferite gravi o la morte.
PERIGO – Problemas imediatos que IRÃO resultar em graves ferimentos pessoais ou morte.
FARE – Overhængende fare, som VIL resultere i alvorlig personskade eller dødsfald.
GEVAAR – Onmiddellijke risico's die ernstige persoonlijk verwondingen of de dood ten gevolge kunnen hebben.
FARA – Omedelbar risk som medför svår personskada eller död.
KINAYNO – Άμεσος κίνδυνος που ΘΑ έχει ως αποτέλεσμα σοβαρές σωματικές βλάβες ή θάνατο.



WARNING – Hazards or unsafe practices which COULD result in severe personal injuries or death.
AVISO – Riesgos o prácticas poco seguras que PODRÍAN producir lesiones personales e incluso la muerte.
WARNUNG – Gefährliche oder unsichere Anwendung, die zu schweren Körperverletzungen oder zum Tod führen kann.
ATTENTION – Utilisation dangereuse ou sans garantie de sécurité qui PEUT provoquer de sévères blessures personnelles ou la mort.
AVVISO – Pericoli o azioni pericolose che POTREBBERO avere come esito lesioni fisiche gravi o il decesso.
AVISO – Riesgos o prácticas poco seguras que PUEDEN producir lesiones personales e incluso la muerte
ADVARSEL – Farer eller farlig brug, som KAN resultere i alvorlig personskade eller dødsfald.
WAARSCHUWING – Gevaren of onveilige praktijken die ernstig persoonlijk letsel of de dood tot gevolg KUNNEN hebben.
VARNING – Risker eller osäkra tillvägagångssätt som KAN leda till svåra personskador eller dödsfall.
ΠΡΟΕΙΔΟΠΟΙΗΣΗ – Κίνδυνοι ή επικίνδυνες πρακτικές, οι οποίες ΜΠΟΡΕΙ να έχουν ως αποτέλεσμα σοβαρές σωματικές βλάβες ή θάνατο.



CAUTION – Hazards or unsafe practices which COULD result in minor personal injury or product or property damage.
PRECAUCIÓN – Riesgos o prácticas poco seguras que PODRÍAN provocar lesiones personales de menor importancia o daños en el producto u otros bienes.
VORSICHT – Gefährliche oder unsichere Anwendung, die geringfügigen Personen-, Produkt- oder Sachschaden verursachen kann.
PRECAUTION – Utilisation dangereuse ou sans garantie de sécurité qui PEUT provoquer des blessures mineures ou des dommages au produit ou aux biens.
ATTENZIONE – Pericoli o azioni pericolose che POTREBBERO avere come esito lesioni fisiche minori o danni al prodotto o ad altri beni.
CUIDADO – Perigos e procedimentos perigosos que PODERÃO PROVOCAR danos pessoais ligeiros ou danos em produtos e bens.
FORSIGTIG – Farer eller farlig brug, som KAN resultere i mindre skade på personer, produkt eller ejendom.
LET OP – Gevaren of onveilige praktijken die licht persoonlijk letsel of beschadiging van het product of eigendommen tot gevolg KUNNEN hebben.
VARSAMHET – Risker eller farliga tillvägagångssätt som KAN leda till mindre personskador eller skador på produkten eller på egendom.
ΠΡΟΣΟΧΗ – Κίνδυνοι ή επικίνδυνες πρακτικές, οι οποίες ΜΠΟΡΕΙ να έχουν ως αποτέλεσμα την πρόκληση ελαφρών σωματικών βλαβών ή καταστροφή περιουσίας.

ENGLISH

ESPAÑOL

DEUTSCH

FRANÇAIS

ITALIANO

PORTUGÊS

DANSK

NEDERLANDS

SVENSKA

ΕΛΛΗΝΙΚΑ

1. SAFETY SUMMARY



WARNING:

- Do not perform installation work, refrigerant piping work and electrical wiring connection without referring to our installation manual.
- Check that the ground wire is securely connected.
- Connect a fuse of specified capacity.



CAUTION:

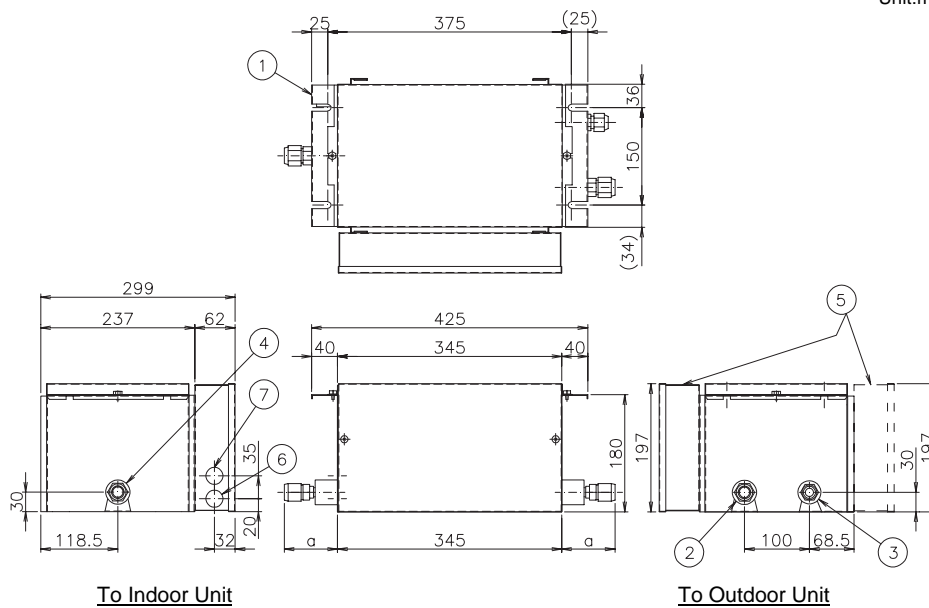
- Do not install the CH unit and cable within approximately 3 meters from strong electromagnetic wave radiators such as medical equipment.

2. STRUCTURE

2.1. DIMENSIONS

2.1.1. Model: CH Unit – CH-(4.0/8.0)NE

Unit:mm

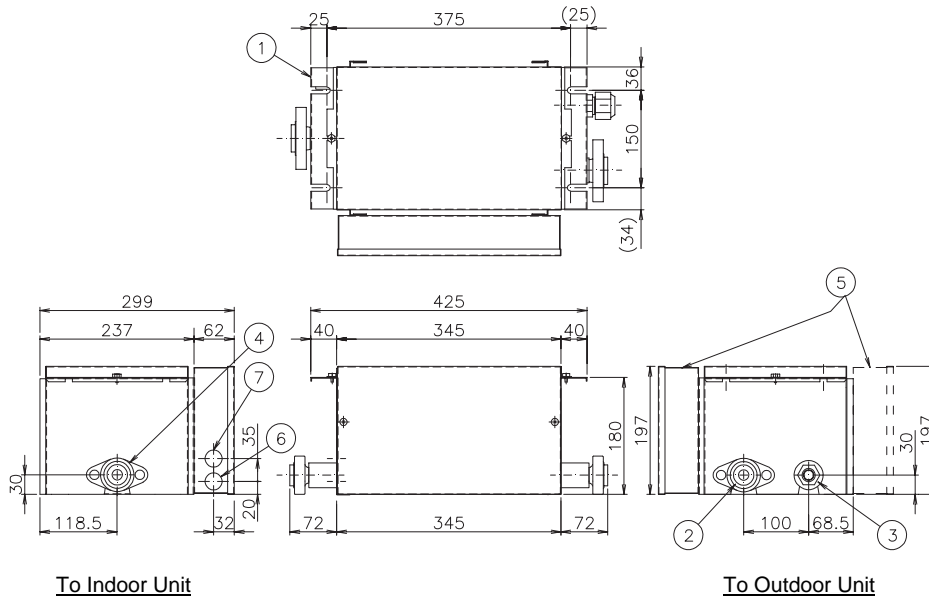


No	Description	Remarks	
		CH-4.0NE	CH-8.0NE
1	Suspension Bracket	For M8 or W5/16 Bolt	
2	Refrigerant Gas (Low) Pipe connection	Ø15.88 Flare connection	Ø19.05 Flare Connection
3	Refrigerant Gas (High) Pipe connection	Ø12.7 Flare connection	Ø15.88 Flare Connection
4	Refrigerant Gas Pipe connection	Ø15.88 Flare connection	Ø19.05 Flare connection
5	Electrical Control Box	(Available attachment in the both sides)	
6	Hole for operating Line	Ø26.5	
7	Hole for power supply Line	Ø26.5	
Dimension		a	
		78mm	82mm

2 STRUCTURE

2.1.2. Model: CH Unit – CH-12.0N

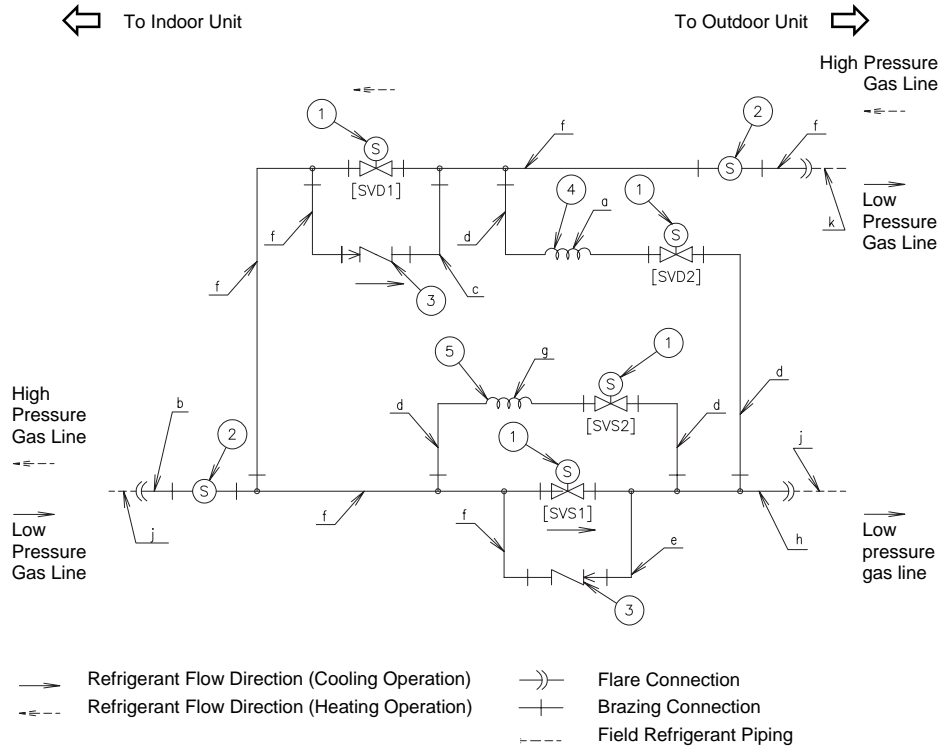
Unit:mm



No	Description	Remarks
		CH-12.0N
1	Suspension Bracket	For M8 or W5/16 Bolt
2	Refrigerant Gas (Low) Pipe connection	Ø22.2 Flange connection
3	Refrigerant Gas (High) Pipe connection	Ø19.05 Flare connection
4	Refrigerant Gas Pipe connection	Ø22.2 Flange connection
5	Electrical Control Box	(Available attachment in the both sides)
6	Hole for operating Line	Ø26.5
7	Hole for power supply Line	Ø26.5

2.2. REFRIGERANT CYCLE

2.2.1. CH Unit - CH-(4.0/8.0)NE



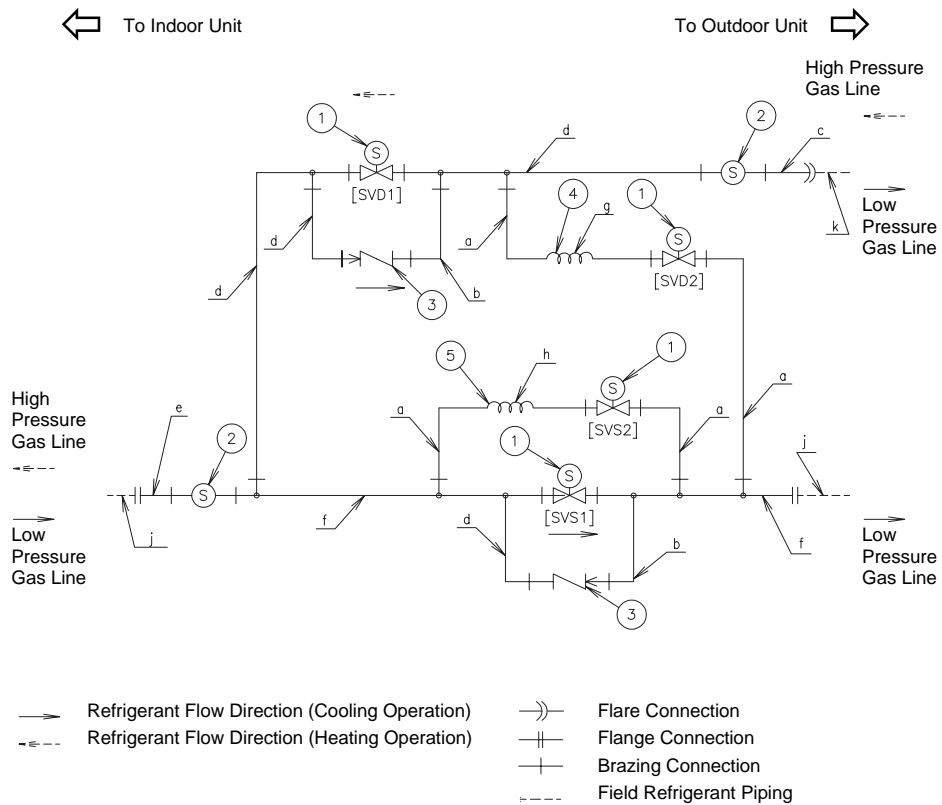
No	Description
1	Solenoid Valve (AC)
2	Strainer
3	Check Valve
4	Capillary Tube
5	Capillary Tube

Mark	Material Size O.D.(mm) × thickness (mm)		Material
	CH-4.0NE	CH-8.0NE	
a	∅2.5x0.7		Copper Tube C1220T-O
b	∅12.7×1.0	∅15.88×1.0	
c	∅9.53×0.8	∅12.7×1.0	
d	∅6.35×1.07		
e	∅9.53×0.8		
f	∅12.7×1.0		
g	∅4.0x0.8	∅4.0x0.5	
h	∅12.7×1.0	∅15.88×1.2	
j	∅15.88	∅19.05	
k	∅12.7	∅15.88	

NOTE:
The mark of inside "[]" is shown in the electrical wiring diagram.

4 STRUCTURE

2.2.2. CH Unit – CH-12.0N



No	Description
1	Solenoid Valve (AC)
2	Strainer
3	Check Valve
4	Capillary Tube
5	Capillary Tube

Mark	Material Size		Material
	O.D.(mm)	thickness (mm)	
a	∅6.35	1.07	Copper Tube C1220T-O
b	∅12.7	1.0	
c	∅15.88	1.0	
d	∅15.88	1.2	
e	∅19.05	1.2	
f	∅19.05	1.65	
g	∅3.0	0.8	
h	∅4.0	0.5	
j	∅22.2		
k	∅19.05		

NOTE:
The mark of inside "[]" is shown in the electrical wiring diagram.

2.3. NECESSARY TOOLS AND INSTRUMENT LIST FOR INSTALLATION

No.	Tool	No.	Tool
1	Handsaw	11	Spanner
2	Phillips Screwdriver	12	Charging Cylinder
3	Vacuum Pump	13	Gauge Manifold
4	Refrigerant Gas Hose	14	Cutter for Wires
5	Megohmmeter	15	Gas Leak Detector
6	Copper Pipe Bender	16	Leveler
7	Manual Water Pump	17	Clamper for Solderless Terminals
8	Pipe Cutter	18	Hoist (for Indoor Unit)
9	Brazing Kit	19	Ammeter
10	Hexagon Wrench	20	Voltage Meter

3. TRANSPORTATION AND HANDLING

Transport the product as close to the installation location as practical before unpacking



WARNING:

Do not put any foreign material into the CH Unit and check to ensure that none exists in the outdoor unit before the installation and test run. Otherwise, a fire or failure, etc. may occur.



CAUTION:

*Do not put any material on the product.
Be careful not to damage on insulation materials of unit's surface when lifting.*

3.1. COMBINATION CH UNIT AND INDOOR UNIT

The CH Unit is Installed indoors for the SET-FREE FXN(E) system, between the outdoor unit and Indoor unit. The combination of the CH Unit and indoor Unit is as follows.

Model	Indoor Unit Quantity	Total Indoor Capacity (HP)
CH-4.0NE	1 to 5	Smaller than 4.0 (excluding 4.0)
CH-8.0NE	1 to 8	4.0~8.0 (including 4.0 and excluding 8.0)
CH-12.0N	1 to 5	8.0~12.0 (including 8.0 and including 12.0)

4. CH UNIT INSTALLATION


DANGER:

Do not install the Indoor Unit in a flammable environment to avoid fire or an explosion.


WARNING:


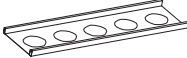
Check to ensure that the ceiling slab is strong enough.

Do not install the CH Unit outside. If installed outdoors, an electric hazard electric leakage will occur.

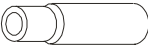
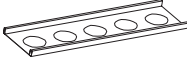
4.1. FACTORY-SUPPLIED ACCESSORIES

Check to ensure that the following accessories are packed with the CH Unit.




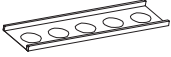

■ Factory Supplied Accessories - For CH-4.0NE.

Accessory		Q'ty	Purpose
Reducer (Ø15.88 to Ø12.7)		1	To Connect Ø12.7 liquid piping of Indoor Unit
Pipe Fixing Band		2	To Fix Liquid Pipe

■ Factory Supplied Accessories - For CH-8.0NE.

Accessory		Q'ty	Purpose
Reducer (Ø19.05 to Ø15.88)		1	To Connect Ø15.88 liquid piping of Indoor Unit
Pipe Fixing Band		2	To Fix Liquid Pipe

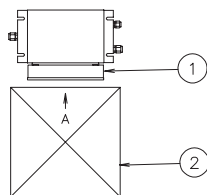
■ Factory Supplied Accessories - For CH-12.0N.

Accessory		Q'ty	Purpose
Flange Piping Size (Ø22.2)		2	For Gas (High) Piping from Outdoor Unit
Packing for Flange		2	Flange sealing
Insulation (Ø38 ID)		1	For Refrigerant Piping Connection
Pipe Fixing Band		2	To Fix Liquid Pipe
Band		8	To fix Insulation for Refrigerant Piping

4.2. INITIAL CHECK

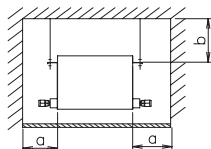
4.2.1. Install the CH unit with a proper clearance around it for maintenance working space, as shown in below figure:

Service Space



No	Description
①	Electrical Box
②	Service Access Panel

View from A



Mark	Dimension (Min).	
Model	CH-4-0/8.0	CH-12.0
a	250mm	350mm
b	100mm	

4.2.2. Flowing sound of refrigerant may be heard from the CH unit when the solenoid valve in the CH unit is activated. Therefore, take the following action to minimize the sound.

- Install the CH unit inside the ceiling. As for the ceiling material, select a material like a plaster board which minimizes operation sound.
- Do not install the CH unit in near a bed room or hospital room.
- Do not install the CH unit in a hot or humid place like kitchen to prevent dew condensation on the outer surface of the CH unit.

4.2.3. Pay attention to the following points when the CH is installed in a hospital or other facilities where there are electronic waves from medical equipment.

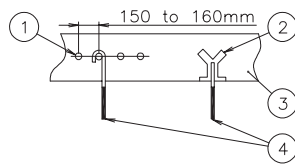
- Do not install the CH unit where the electromagnetic wave is directly radiated to the electrical box or intermediate wiring (operating line).
- Install the CH unit and components as far as practical or at least 3 meters from the electromagnetic wave radiator.
- Install a noise filter when the power supply emits harmful noises.

8 CH UNIT INSTALLATION

4.3. SUSPENSION BOLTS

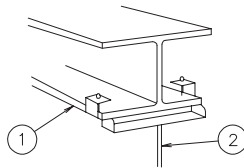
- Select final location and installation direction of the indoor unit paying careful attention to the space for the piping, wiring and maintenance.
- Mount suspension bolts, as shown below:

- For Concrete Slab:



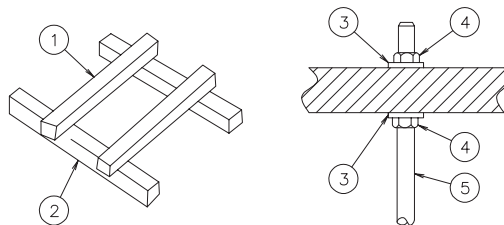
No	Description
①	Steel
②	Insert (100 to 150kg)
③	Concrete
④	Anchor Bolt (W3/8 or M10)

- For Steel Beam:



No	Description
①	I Beam
②	Suspension Bolt (W3/8 or M10)

- For Wooden Beam Suspension:



No	Description
①	Wooden Bar (60-90mm Square)
②	Wooden Beam
③	Square Washers
④	Nuts
⑤	Suspension Bolts (W3/8 or M10)

4.4. INSTALLATION

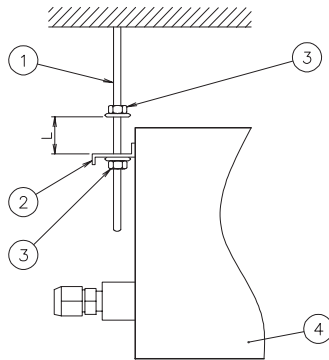
4.4.1. Marking Position of the Suspension Bolts and Piping Connections

- Mark position of the Suspension bolts, refrigerant piping connections and drain connection.
- See Installation dimensions in chapter 2.1.

4.4.2. Mounting the CH Unit

■ **How to put Nuts**

Put nuts on each of the four suspension bolts before suspending the CH unit, as shown below



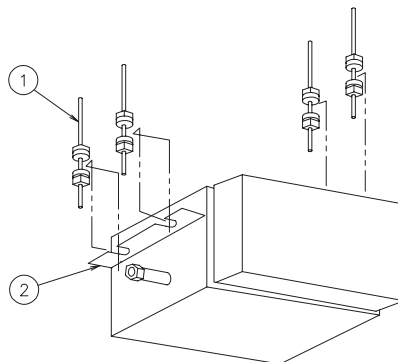
No	Description
①	Suspension Bolt
②	Suspension Bracket
③	Nut & Washer (Field-Supplied)
④	CH-Box

Mark	Dimension
L	30~50mm

Field-Supplied Parts	CH-(4.0/8.0/12.0)N(E)
Suspension Bolts	4-M10 or W-3/8
Nut	8-M10 or W-3/8
Washer	8-M10 or W-3/8

■ **Suspension the CH Unit**

Hook suspension bracket to the nut and washer of each suspension bolt, as shown below.
Check that the nuts and washers are correctly fixed by the retainers of the suspension bracket.



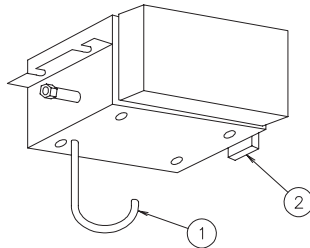
No	Description
①	Suspension Bolt
②	Suspension Bracket

10 REFRIGERANT PIPING WORK

4.4.3. Adjusting of the Unit Level

■ How to put Nuts

In order to avoid an incorrect unit operation, check the level of the unit using a water level in a transparent Vinyl tube containing water.



No	Description
①	Vinyl Tube
②	Level Scale

Tighten the bolts of the suspension nuts with the suspension brackets after adjustment is completed. Special plastic paint must be applied to the bolts in order to prevent them from loosening.

5. REFRIGERANT PIPING WORK



DANGER:

Use refrigerant R410A in the refrigerant cycle. Do not charge oxygen, acetylene or other flammable and poisonous gases into the refrigerant cycle when performing a leakage test or an air-tight test. These types of gases are extremely dangerous and can cause an explosion. It is recommended that compressed air, nitrogen or refrigerant be used for these types of tests.

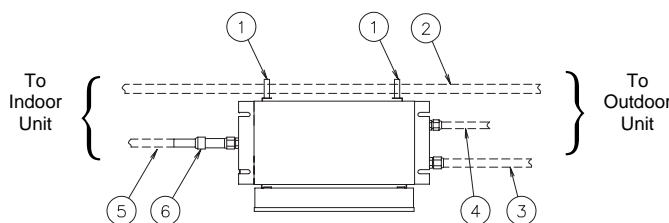
5.1. PIPING MATERIALS

1. Prepare locally-supplied copper pipes.
2. Select clean copper pipes. Make sure there is no dust and moisture inside. Before connecting pipes, blow the inside of the pipes with nitrogen or dry air, to remove any dust or foreign materials.
3. Select the piping size from dimensional drawing

5.2. PIPING CONNECTION

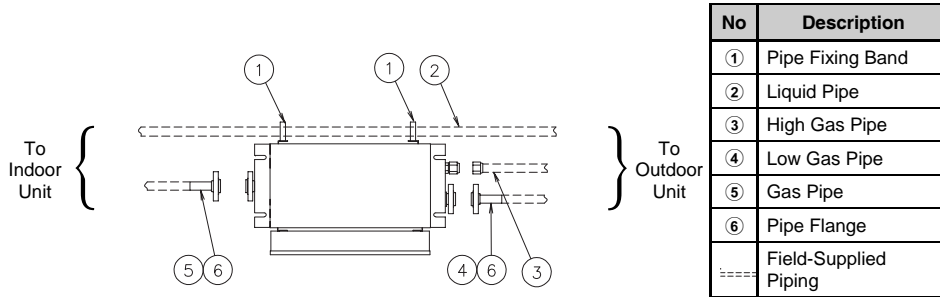
1. Position of piping connection is shown in dimensional drawing.
2. Connect the accessories as shown in the Diagram below:

■ CH-(4.0/8.0)NE

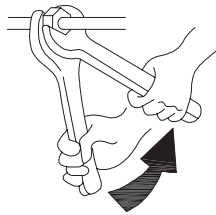


No	Description
①	Pipe Fixing Band
②	Liquid Pipe
③	Low Gas Pipe
④	High Gas Pipe
⑤	Gas Pipe
⑥	Reducer
-----	Field-Supplied Piping

■ CH-12.0N



3. When tightening the Flare nut, use two spanners as shown in below figure.



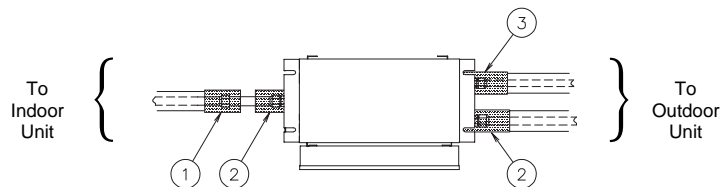
Pipe Size		Tightening Torque (N.m)
∅6.35	(1/4)	2
∅9.53	(3/8)	4
∅12.7	(1/2)	6
∅15.88	(5/8)	8
∅19.05	(3/4)	10

4. After connecting the refrigerant piping, seal the refrigerant pipes by using the field-supplied insulation materials as shown in figure below.

Use the factory-supplied pipe with a flange to connect low-pressure gas piping. The gasket at the unit gas piping inlet should be replaced to the one supplied with your unit. (Thermal insulator over the flange connection should be field-supplied).

NOTE:

The factory-supplied flange should be welded with the connection pipe before connecting the valve. Mount the Insulation's after the pipe brazing. Take particular care upon connecting flange so that Insulation is correctly located.



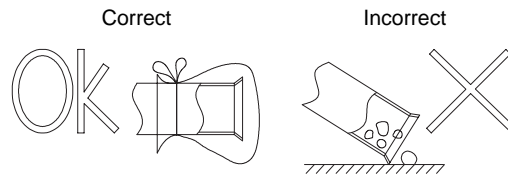
No	Description	Remarks
①	Insulation	- Field Supplied – CH-4.0NE unit
②	Insulation	- Field Supplied – CH-(4.0/8.0/12.0)NE units
③	Insulation	- Field Supplied – CH-(4.0/8.0)NE - Included in CH-12.0N unit as accessory.

12 ELECTRICAL WIRING



CAUTION:

- Cover the end of the pipe if the pipe has to be inserted through a hole.
- Do not put pipes on the ground directly without a cap or vinyl tape at the end of the pipe.
- Remove all the flammable materials around the units. If not, it will cause a fire.



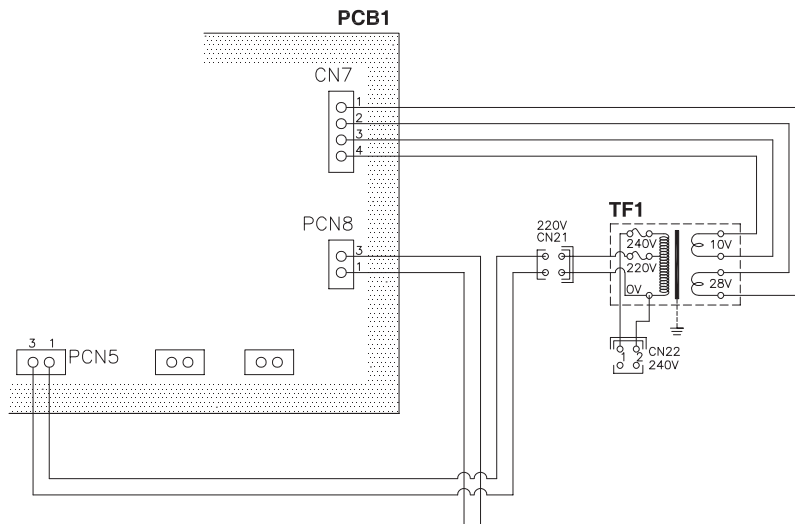
5. Evacuation and refrigerant charging procedures should be performed according to “Installation and Operation Manual” of Outdoor unit – Chapter: “Piping and Refrigerant Charge”.

6. ELECTRICAL WIRING



WARNING:

- Turn OFF the main power switch to the CH unit, the indoor unit and the outdoor unit before electrical wiring work or a periodical check is performed.
- Protect the wires, electrical parts, etc. from rats or other vermin.
- Check the item below before turning ON the main switch.
In case that the power source for indoor unit 240V (nominal voltage), change CN21 (connector) to CN22 of transformer (TF1) in the electrical control box as shown below.



CAUTION:

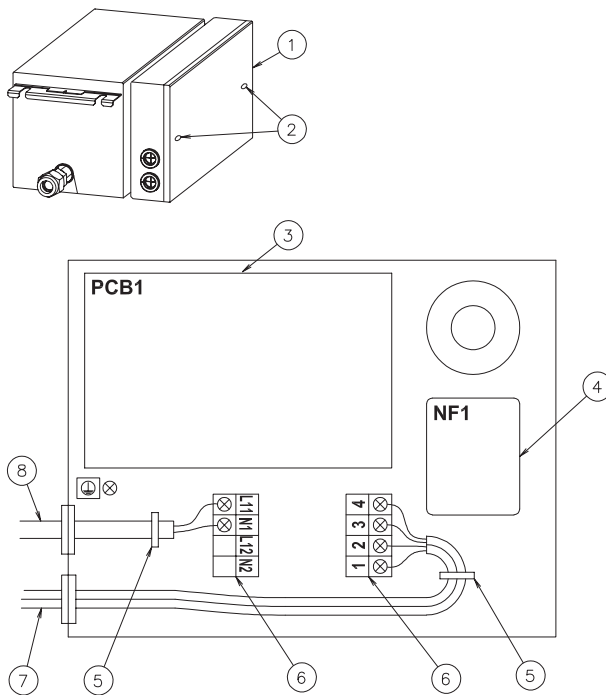
- Wrap the accessory packing around the wires, and plug the wiring connection hole with the seal material to protect the product from any condensate water or insects.
- Tightly secure the wires with the cord clamp inside the electrical box.

6.1. GENERAL CHECK

- Make sure that the field-selected electrical components (main power switches, circuit breakers, wires, conduit connectors and wire terminals) have been properly selected according to the electrical data indicated in Technical Catalogue. Make sure that the components comply with National Electrical code (NEC)
- Check to ensure that the power supply voltage is within $\pm 10\%$ of rated voltage.
- Check the power source capacity is too low, the system cannot be started due to the voltage drop.
- Check to ensure that the ground wire is connected.

6.2. ELECTRICAL WIRING CONNECTION

The electrical wiring connection is shown in below figure.



No	Description
①	Electrical Box Cover
②	Fixing Screw
③	Printed circuit Board
④	Noise Filter
⑤	Cord Clamp
⑥	Terminal Board
⑦	Operating Line
⑧	Power Supply Line

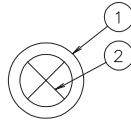
NOTE:

At the terminal board 2, the connectors 1 and 2 are for H Link system, and the connectors 3 and 4 are for going to the Indoor Unit from the CH-Box setting of dip switches

1. Turn OFF the main power switch and take off the electrical box cover of CH unit.
2. Cut out the center of the rubber bushing in the wiring connection hole, as shown below.
3. Connect the power supply and earth wires to the terminals in the electrical box.
4. Connect the wires of the operating line to the terminals in the electrical box.

14 ELECTRICAL WIRING

5. Tightly clamp the wires using the cord clamp inside the electrical box.
6. Fix the electrical box cover after wiring work.

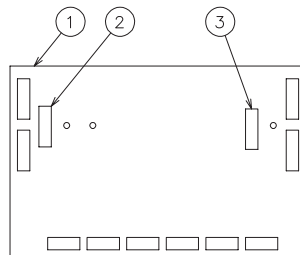


No	Description
①	Rubber Bushing
②	Cut Inside

6.3. SETTING OF DIP SWITCHES

■ Position of Dip Switches

The PCB1 in the electrical box of CH unit is equipped with 2 types of dip switches (DSW2, DSW5), as shown in the figure below.



No	Description
①	PCB1
②	DSW5
③	DSW2

■ Setting of Dip Switches

The dip switches are set before shipment and no setting in the field is required. These are utilized for the self-diagnosis of PCB.

Factory Setting Position (Dip Switch)

- DSW5



- DSW2



NOTE:

The "■" mark indicates position of dip switches. The above figures show the setting before shipment.



CAUTION:

Before setting dip switches, firstly turn OFF power source and set the position of the dip switches. If the switches are set without turning OFF the power source, the switch can not function.

7. TEST RUN

Test run should be performed according to "Installation & Operation Manual" of Outdoor unit.



WARNING:

Do not operate the system until all the check points have been cleared.

- *Check to ensure that the electrical resistance is more than 1 MΩ, by measuring the resistance between ground and the terminal of the electrical parts. If not, do not operate the system until the electrical leakage is found and repaired.*
- *Check to ensure that the stop valves of the outdoor unit are fully opened, and then start the system.*
- *Check to ensure that the switch on the main power source has been ON for more than 12 hours, to warm the compressor oil by the crankcase heater.*

Pay attention to the following items while the system is running.

- *Do not touch any of the parts by hand at the discharge gas side, since the compressor chamber and the pipes at the discharge side are heated higher than 90C°.*
- *DO NOT PUSH THE BUTTON OF THE MAGNETIC SWITCH(ES). It will cause a serious accident.*

1. RESUMEN DE SEGURIDAD



ADVERTENCIA:

- Al realizar la instalación y conectar la tubería de refrigerante y el cableado eléctrico, siga las instrucciones de nuestro manual de instalación.
- Compruebe que la toma de tierra está bien conectada.
- Conecte un fusible de la capacidad especificada.



PRECAUCIÓN:

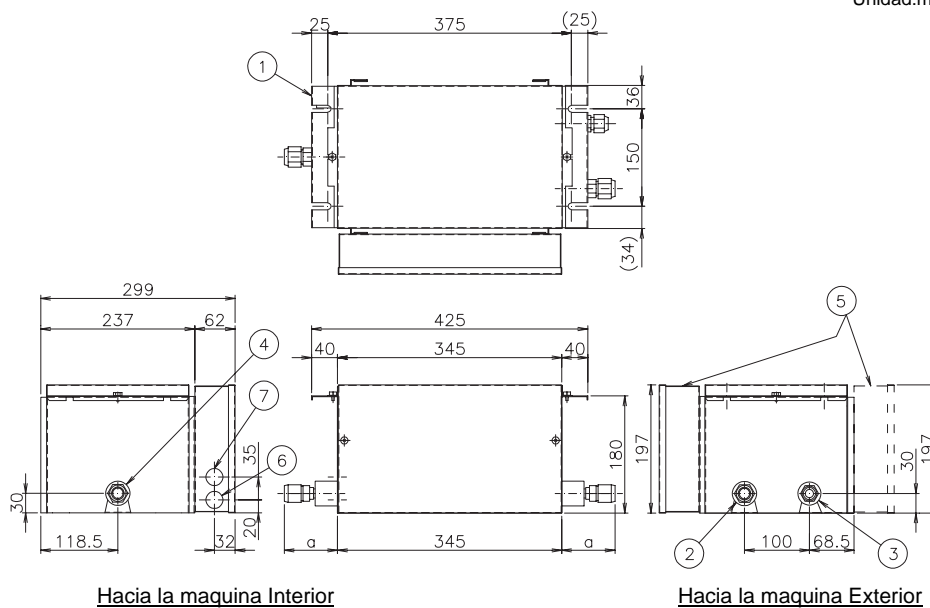
- Cuando instale la unidad CH y el cable, procure que la distancia mínima hasta la fuente más próxima de ondas electromagnéticas, como los equipos médicos, sea de 3 metros aproximadamente.

2. ESTRUCTURA

2.1. DIMENSIONES

2.1.1. Modelo: Unidad CH-(4.0/8.0)NE

Unidad:mm



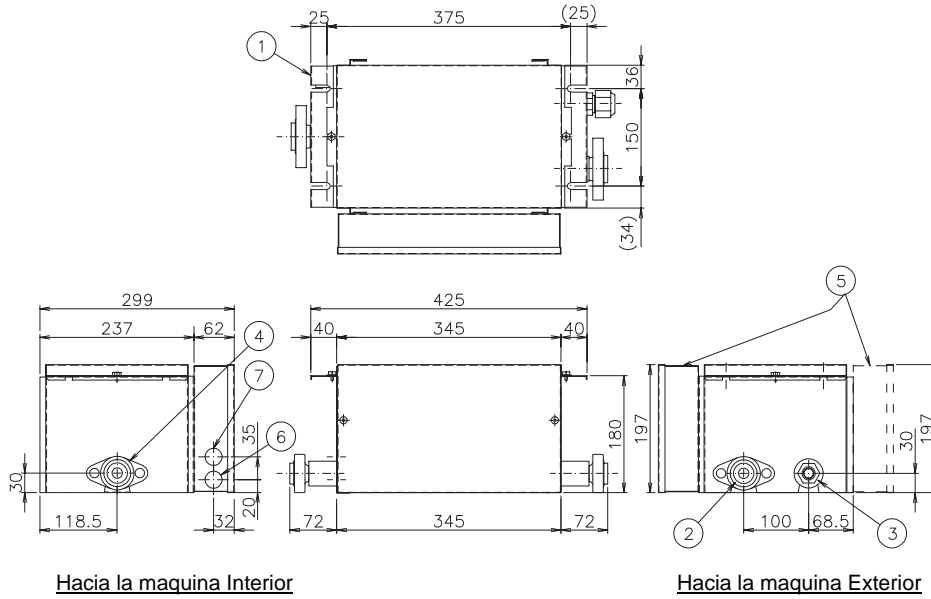
Hacia la maquina Interior

Hacia la maquina Exterior

Nº	Descripción	Observaciones	
		CH-4.0NE	CH-8.0NE
1	Soporte de Suspensión	Para pernos M8 o W5/16	
2	Conexión tubería gas refrigerante (Baja)	15.88 Conexión abocardada	19.05 Conexión abocardada
3	Conexión tubería gas refrigerante (Alta)	12.7 Conexión abocardada	15.88 Conexión abocardada
4	Conexión del tubo de gas refrigerante	15.88 Conexión abocardada	19.05 Conexión abocardada
5	Accesorios	(Disponible sujetarla en ambos lados)	
6	Orificio para la línea de servicio	26.5	
7	Orificio para la línea de alimentación	26.5	
Dimensiones		a	
		78mm	82mm

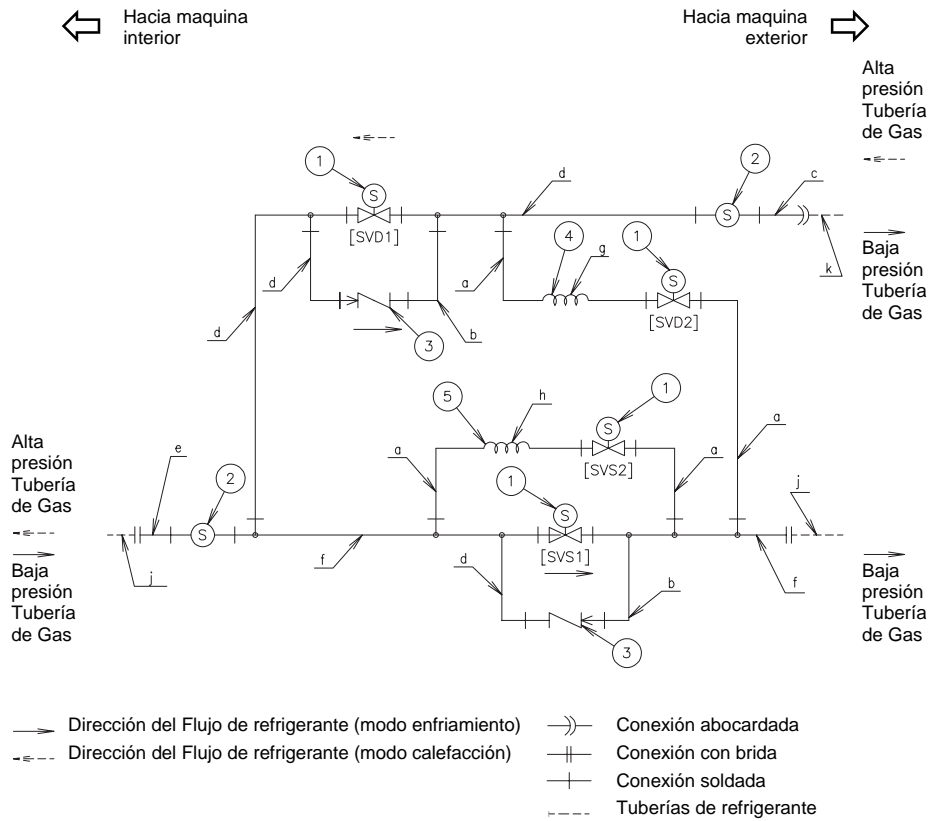
2.1.2. Modelo: Unidad CH-12.0N

Unidad:mm



Nº	Descripción	Observaciones
		CH-12.0N
1	Soporte de Suspensión	Para pernos M8 o W5/16
2	Conexión tubería gas refrigerante (Baja)	Ø22.2 Conexión con brida
3	Conexión tubería gas refrigerante (Alta)	Ø19.05 Conexión abocardada
4	Conexión del tubo de gas refrigerante	Ø22.2 Conexión con brida
5	Accesorios	(Disponible sujetarla en ambos lados)
6	Orificio para la línea de servicio	Ø26.5
7	Orificio para la línea de alimentación	Ø26.5

2.2.2. Unidad CH-12.0N



Nº	Descripción
1	Válvula solenoide (AC)
2	Filtro
3	Válvula de Comprobación
4	Tubo Capilar
5	Tubo Capilar

Marca	Dimensión Material O.D.(mm) x grosor (mm)	Material
a	Ø6.35 x 1.07	Tubo de Cobre C1220T-O
b	Ø12.7 x 1.0	
c	Ø15.88 x 1.0	
d	Ø15.88 x 1.2	
e	Ø19.05 x 1.2	
f	Ø19.05 x 1.65	
g	Ø3.0 x 0.8	
h	Ø4.0 x 0.5	
j	Ø22.2	
k	Ø19.05	

NOTA:

La inscripción entre corchetes "[]" aparece en el diagrama del cableado eléctrico.

2.3. LISTA DE HERRAMIENTAS E INSTRUMENTAL NECESARIOS PARA LA INSTALACIÓN

Nº	Herramienta	Nº	Herramienta
1	Sierra de mano	11	Llave inglesa
2	Destornillador Phillips	12	Cilindro de carga
3	Bomba de vacío	13	Colector del manómetro
4	Manguera gas refrigerante	14	Corta cables
5	Megaohmímetro	15	Detector de escapes de gas
6	Curvador para tubos de cobre	16	Nivel
7	Bomba de agua manual	17	Grapa para terminales de fijación sin soldadura
8	Corta tubos	18	Cabria (para izar la unidad interior)
9	Equipo de soldadura	19	Amperímetro
10	Llave allen	20	Medidor de voltaje

3. TRANSPORTE Y MANEJO

Antes de desempaquetar el producto, transpórtelo lo más cerca posible del lugar de instalación.

**ADVERTENCIA:**

No introduzca ningún objeto extraño dentro de la unidad CH y compruebe que no se ha introducido ninguno en la unidad interior antes de llevar a cabo la instalación y la prueba de funcionamiento. De lo contrario, puede provocarse un incendio o una avería.

**PRECAUCIÓN:**

*No coloque ningún tipo de material sobre el producto.
Al izar la unidad, tenga precaución para no dañar los materiales aislantes de la superficie.*

3.1. COMBINACIÓN DE LA UNIDAD CH Y LA UNIDAD INTERIOR

La unidad CH se instala en el interior para dar soporte al sistema SET-FREE FXN(E), entre la unidad exterior y la interior. La combinación de la unidad CH y la interior es como sigue:

Modelo	Nº unidades interiores	Capacidad total interior (HP)
CH-4.0NE	1 a 5	Inferior a 4.0 (sin incluir 4.0)
CH-8.0NE	1 a 8	4.0 ~ 6.5 (incluyendo 4.0 y excluyendo 8.0)
CH-12.0N	1 a 5	8.0 ~ 12.0 (incluyendo 8.0 e incluyendo 12.0)

4. INSTALACIÓN DE LA UNIDAD CH


PELIGRO:

No instale la unidad interior en lugares inflamables para evitar incendios y explosiones.


ADVERTENCIA:

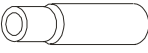
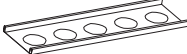
Compruebe que las placas del techo son suficientemente resistentes.

No instale la unidad CH en el exterior. Si lo hace, hay riesgo de dispersión eléctrica.

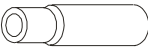
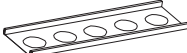
4.1. PARA FIJAR EL AISLANTE DEL TUBO REFRIGERANTE SUMINISTRADOS DE FÁBRICA

Compruebe que el paquete de la unidad CH incluye los siguientes Para fijar el aislante del tubo refrigerante:




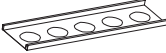

- Para fijar el aislante del tubo refrigerante suministrados de fábrica (para CH-4.0NE)

Accesorios	Cantidad	Propósito	
Reductor (Ø15.88 a Ø12.7)		1	Para conectar el tubo de líquido Ø12.7 de la unidad interior
Brida fijadora de tubo		2	Para fijar el tubo de líquido

- Para fijar el aislante del tubo refrigerante suministrados de fábrica (para CH-8.0NE)

Accesorios	Cantidad	Propósito	
Reductor (Ø19.05 a Ø15.88)		1	Para conectar el tubo de líquido Ø15.88 de la unidad interior
Brida fijadora de tubo		2	Para fijar el tubo de líquido

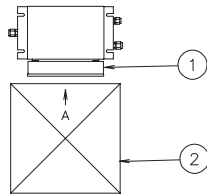
- Para fijar el aislante del tubo refrigerante suministrados de fábrica (para CH-12.0N)

Accesorios	Cantidad	Propósito	
Tubo con brida. Tamaño: (Ø22.2)		2	Para conectar el tubo de gas (alto) procedente de la unidad exterior
Obturador para brida		2	Sellado con brida
Aislante (Ø38 ID)		1	Para conectar los tubos de refrigerante
Brida fijadora de tubo		2	Para fijar el tubo de líquido
Brida Flexible		8	Para fijar el aislante del tubo refrigerante

4.2. COMPROBACIONES INICIALES

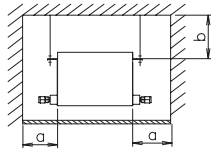
4.2.1. Cuando instale la unidad CH, procure que haya suficiente espacio a su alrededor para trabajar, tal como se indica en la figura:

Panel de Acceso



Nº	Descripción
①	Caja eléctrica
②	Panel de Acceso

Vista desde A



Marca	Dimensiones (Min)	
Modelo	CH-4.0/8.0	CH-12.0
a	250mm	350mm
b	100mm	

4.2.2. Al activar la válvula solenoide de la unidad CH es posible que se escuche el ruido que produce el refrigerante. Para reducir al mínimo este ruido, tome las siguientes medidas:

- Instale la unidad CH empotrada en el techo. Como material para el techo, escoja uno del tipo de las placas de escayola, que reduce al mínimo el ruido del aparato en funcionamiento.
- No instale la unidad CH cerca de un dormitorio o en una sala de hospital.
- No instale la unidad CH en ningún lugar húmedo, como una cocina, para evitar que se condense rocío en la superficie exterior de la unidad CH.

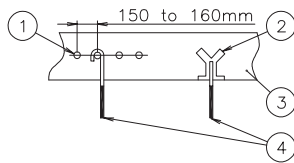
4.2.3. Si ha de instalar la unidad CH en un hospital u otro tipo de local donde haya ondas eléctricas generadas por equipos médicos, preste atención a los siguientes puntos:

- No instale la unidad CH en lugares donde la Accesorios o los cables intermedios reciban directamente la radiación electromagnética.
- Instale la unidad CH y los componentes tan lejos como sea posible de la fuente de radiaciones electromagnéticas o, como mínimo, a 3 metros de distancia.
- Instale un filtro antirruido cuando la fuente de alimentación emita ruidos molestos.

4.3. PERNOS DE SUSPENSIÓN

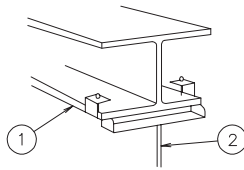
- Escoja el lugar definitivo y la dirección en que desea instalar la unidad interior, con especial atención al espacio destinado a los tubos, el cableado y el mantenimiento.
- Monte los pernos de suspensión, tal como indica la figura.

- Para placas de hormigón:



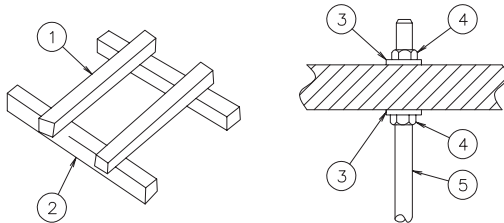
Nº	Descripción
①	Acero
②	Insertar (100 a 150kg)
③	Hormigón
④	Perno de anclaje (W3/8 a M10)

- Para vigas de acero



Nº	Descripción
①	Viga en doble T
②	Perno de suspensión (W3/8 a M10)

- Para suspensión en viguetas de madera:



Nº	Descripción
①	Barra de madera (60-90mm Cuadrada)
②	Vigueta de madera
③	Arandelas cuadradas
④	Tuercas
⑤	Perno de suspensión (W3/8 a M10)

4.4. INSTALACIÓN

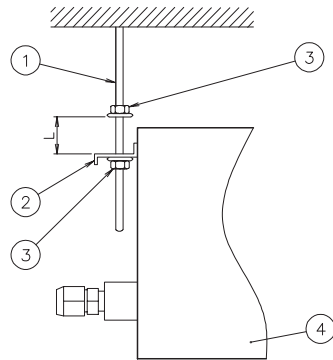
4.4.1. Señalización de los puntos para los pernos de suspensión y las conexiones de los tubos

- Marque los puntos exactos de los pernos de suspensión, las conexiones de los tubos de refrigerante y de desagüe
- Ver las Dimensiones de Instalación en el apartado 2.1.

4.4.2. Montaje de la unidad CH

■ **Cómo colocar las tuercas**

Coloque las tuercas en cada uno de los cuatro pernos de suspensión antes de suspender la unidad CH, tal como muestra la figura.



Nº	Descripción
①	Perno de suspensión
②	Soporte de Suspensión
③	Tuerca & Arandela (Suministrado Instalador)
④	CH-Box

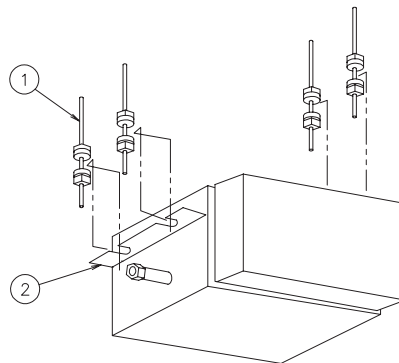
Marca	Dimensiones
L	30-50mm

Piezas no incluidas de fabrica	CH-(4.0/8.0/12.0)N(E)
Perno de suspensión	4-M10 a W-3/8
Tuerca	8-M10 a W-3/8
Arandela	8-M10 a W-3/8

■ **Suspensión de la unidad CH**

Cuelgue los soportes de suspensión del juego de tuerca y arandela de cada uno de los pernos de suspensión, como muestra la figura.

Compruebe que las tuercas y las arandelas están bien sujetas por los retenes de los soportes de suspensión.

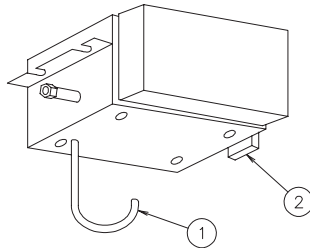


Nº	Descripción
①	Perno de suspensión
②	Soporte de Suspensión

4.4.3. Ajuste del nivel de la unidad

■ Cómo colocar las tuercas

Para evitar el mal funcionamiento de la unidad, compruebe el nivel de la maquina con un medidor de nivel, un tubo de vinilo transparente con agua dentro.



Nº	Descripción
①	Tubo de vinilo
②	Escala de nivel

Una vez realizado el ajuste, apriete los pernos de las tuercas de suspensión a sus soportes. Aplíquese pintura plástica especial a los pernos con el fin de evitar que se aflojen.

5. INSTALACIÓN DE LOS TUBOS DE REFRIGERANTE



PELIGRO:

Para el circuito de refrigerante, utilice R410A. No cargue oxígeno, acetileno ni ningún otro gas inflamable ni venenoso en el circuito cuando compruebe si hay fugas o haga pruebas de estanqueidad. Estos tipos de gases son extremadamente peligrosos y pueden provocar una explosión. Recomendamos utilizar aire comprimido, nitrógeno o refrigerante para realizar este tipo de pruebas.

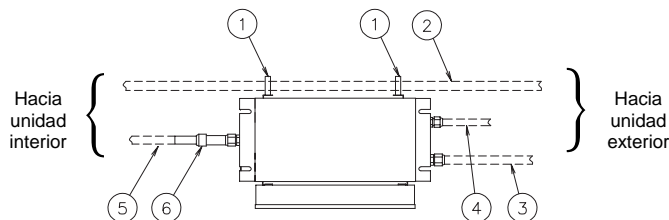
5.1. MATERIALES DE LAS TUBERÍAS

1. Prepare tubos de cobre (no suministrados).
2. Seleccione tuberías de cobre limpias. Asegúrese de que no haya polvo ni humedad en su interior. Antes de conectar los tubos, insufla nitrógeno o aire seco al interior de los tubos para eliminar cualquier resto de polvo o sustancias extrañas.
3. Seleccione el tamaño de tubo en el dibujo acotado.

5.2. CONEXIÓN DE LA TUBERÍA

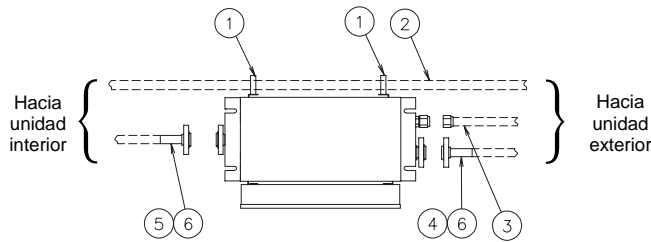
1. En el dibujo acotado podrá ver la posición de las conexiones de los tubos.
2. Conecte los filtros Para fijar el aislante del tubo refrigerante y los manguitos reductores, tal como indica la siguiente figura.

■ CH-(4.0/8.0)NE



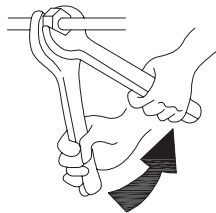
No	Descripción
①	Brida fijadora de tubo
②	Tubo de líquido
③	Tubo de Gas Bajo
④	Tubo de Gas Alto
⑤	Tubo de Gas
⑥	Reductor
-----	Tubo suministrado por el instalador

▪ CH-12.0N



No	Descripción
①	Brida fijadora de tubo
②	Tubo de Líquido
③	Tubo de Gas Alto
④	Tubo de Gas Bajo
⑤	Tubo de Gas
⑥	Tubo con brida
-----	Tubo suministrado por el instalador

3. Apriete la tuerca abocardada con dos llaves inglesas, tal como indica la figura.



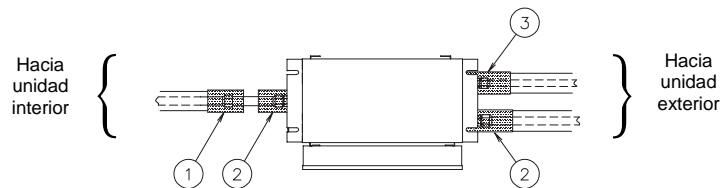
Tamaño de tubería		Par de Apriete (N.m)
∅6.35	(1/4)	2
∅9.53	(3/8)	4
∅12.7	(1/2)	6
∅15.88	(5/8)	8
∅19.05	(3/4)	10

4. Una vez conectados los tubos de refrigerante, séllelos con el material aislante que lo suministra el instalador, tal como muestra la siguiente figura.

Para conectar el gas a baja presión, utilice el tubo con brida que es suministrado por fábrica. Retire la junta obturadora de la entrada del tubo de gas de la unidad por otra, que se suministra con el equipo.
(El aislante térmico que recubre la conexión embridada no se suministra de fábrica; deberá adquirirlo en un establecimiento).

NOTA:

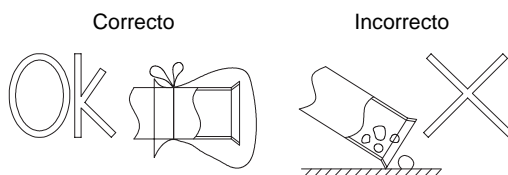
La brida que se suministra de fábrica debe soldarse al tubo de conexión antes de conectar la válvula. Tras soldar el tubo, monte la junta de obturación. Preste especial atención a la conexión embridada; asegúrese de que la junta obturadora queda correctamente colocada.



Nº	Descripción	Observaciones
①	Aislante	- Suministrado por el instalador – CH-4.0NE
②	Aislante	- Suministrado por el instalador – CH-(4.0/8.0/12.0)NE
③	Aislante	- Suministrado por el instalador – CH-(4.0/8.0)NE - Incluido en la unidad CH-12.0N como accesorio.

**PRECAUCIÓN:**

- Si tiene que introducir el tubo por un agujero, ponga un tapón en el extremo.
- No coloque tuberías directamente sobre el suelo sin haber colocado un tapón o cinta de vinilo en el extremo de la misma.
- Retire todas las sustancias inflamables de las cercanías de las unidades. Pueden provocar un incendio.

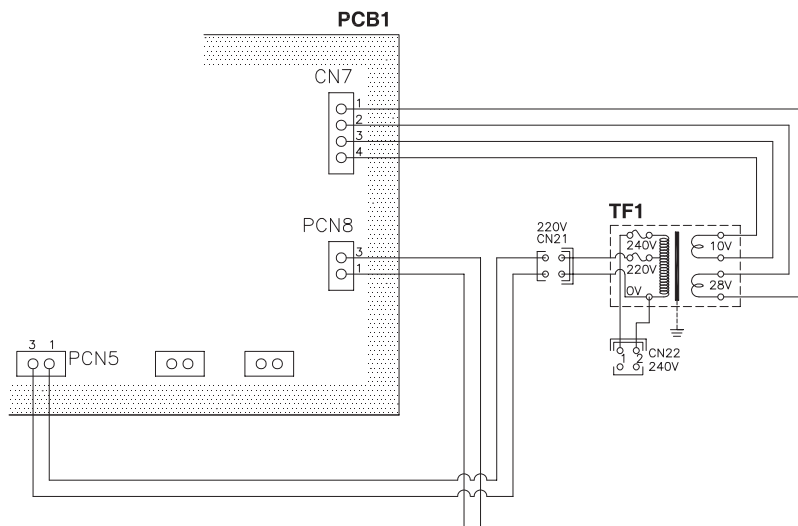


5. El vaciado y cambio del refrigerante se debe realizar según las instrucciones del "Manual de instalación y funcionamiento" de la unidad exterior.

6. CABLEADO ELÉCTRICO

**ADVERTENCIA:**

- Desconecte el interruptor principal de la unidad CH, la unidad interior y la exterior antes de comenzar a instalar el cableado y cada vez que se lleve a cabo una comprobación periódica.
- Proteja los cables y demás componentes eléctricos de las ratas y demás alimañas.
- Preste atención a la siguiente información antes de conectar el interruptor principal. En caso de que la fuente de alimentación de la unidad interior, tenga un voltaje nominal de 240 V cambie el conector CN21 al CN22 del transformador TF1 de la caja de control eléctrico, tal como indica la figura.

**ATENCIÓN:**

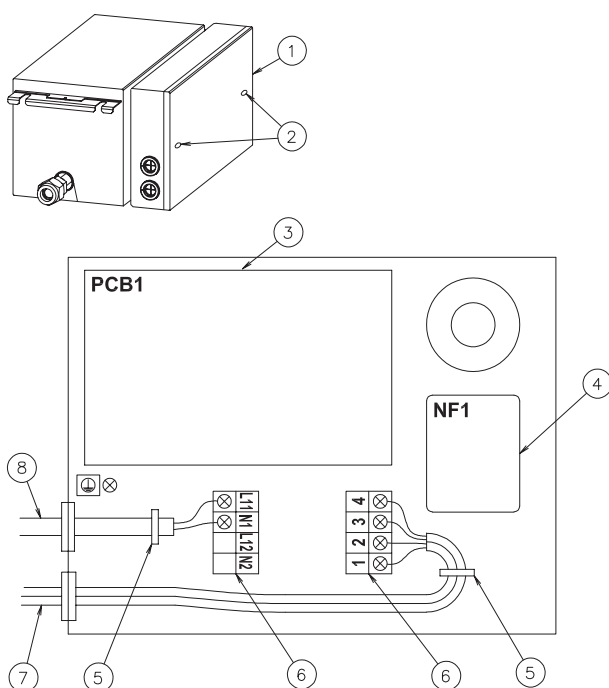
- Proteja los cables con el embalaje accesorio y tape el orificio de conexión con el material de sellado para así proteger el producto de la condensación de agua y los insectos.
- Sujete con firmeza los cables con la abrazadera dentro de la Accesorios.

6.1. COMPROBACIONES GENERALES

- Asegúrese de que todos los componentes eléctricos (interruptores principales, disyuntores, cables, conectores para las canaletas y terminales para cable) son los adecuados, según los datos eléctricos que figuran en el catálogo técnico. Compruebe que todos los componentes cumplen las normas nacionales en materia de electricidad.
- Compruebe que la tensión de la fuente de alimentación está dentro del +/-10% de la tensión nominal.
- Compruebe la capacidad de la fuente de alimentación; si es demasiado baja, el sistema no podrá arrancar por la bajada de tensión.
- Asegúrese de que el cable de toma de tierra está conectado.

6.2. CONEXIÓN DEL CABLEADO ELÉCTRICO

En esta figura le indicamos las conexiones del cableado eléctrico.



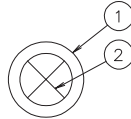
Nº	Descripción
①	Caja eléctrica
②	Tornillo de fijación
③	Placa de circuitos impresos
④	Filtro de sonido
⑤	Brida sujeta cables
⑥	Placa de bornes
⑦	Línea de funcionamiento
⑧	Alimentación

NOTA:

En la placa de bornes 2, los conectores 1 y 2 corresponden al sistema H Link y los 3 y 4, van a la unidad interior desde la caja CH.

1. Desconecte el interruptor principal y retire la tapa de la Accesorios de la unidad CH.
2. Corte el centro del forro de goma del orificio de conexión de los cables, tal como indica la figura.
3. Conecte los cables de alimentación y tierra a las terminales correspondientes de la caja.
4. Conecte los cable de la línea operativa a los terminales de la Accesorios.

5. Sujete bien los cables con la abrazadera, dentro de la Accesorios.
6. Tras terminar el cableado, vuelva a colocar la tapa de la Accesorios.

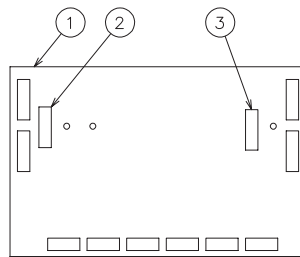


Nº	Descripción
①	Forro de goma
②	Cortar dentro

6.3. CONFIGURACIÓN DE LOS CONMUTADORES DIP

■ Posición de los conmutadores DIP

La PCB1 de la Accesorios de la unidad CH está equipada con dos tipos de conmutadores DIP (DSM2 y DSM5), tal como muestra la figura.



Nº	Descripción
①	PCB1
②	DSW5
③	DSW2

■ Configuración de los conmutadores DIP

Los conmutadores DIP está ya configurados de fábrica, por lo que no es necesario volver a hacerlo. Se utilizan para el autodiagnóstico de la PCB.

Configuración de fabrica (Conmutador Dip)

- DSW5



- DSW2



NOTA:

La señal "■" indica la posición de los conmutadores DIP. En las anteriores figuras le mostramos la configuración antes del envío del material.



PRECAUCIÓN:

Antes de configurar los conmutadores DIP, desconecte la alimentación y configure la posición correcta de los conmutadores. Si se configuran los conmutadores sin desconectar la corriente, no podrán funcionar.

7. MODO DE PRUEBA

Deberá realizar una prueba de funcionamiento, según las instrucciones del “Manual de instalación y funcionamiento” de la unidad exterior.



ADVERTENCIA:

No ponga en funcionamiento el sistema hasta que se hayan verificado todos los puntos de comprobación.

- *Compruebe que la resistencia eléctrica es de más de 1 MΩ, midiendo la resistencia entre la tierra y el terminal de los componentes eléctricos. Si no fuera así, no haga funcionar el sistema hasta haber localizado y reparado la fuga eléctrica.*
- *Compruebe que las válvulas de servicio de la unidad exterior están completamente abiertas y luego encienda el sistema.*
- *Compruebe que el conmutador de la fuente de alimentación principal ha estado encendido durante más de 12 horas para calentar el aceite del compresor con el calentador de aceite.*

Preste atención a los siguientes aspectos mientras el sistema está en funcionamiento.

- *No toque con las manos ninguna de las piezas en la zona de descarga del gas, ya que la cámara del compresor y las tuberías de dicha zona se calientan hasta alcanzar una temperatura superior a los 90°C.*
- **NO PULSE EL BOTÓN DEL CONMUTADOR O CONMUTADORES MAGNÉTICOS.** *Puede provocar graves accidentes.*

1. SICHERHEITSAUWEISUNGEN



WARNUNG:

- Führen Sie keine Montage-, Kühlmittelleitungs- oder Elektroinstallationsarbeiten ohne Befolgung der Anweisungen in diesem Handbuch durch.
- Prüfen Sie, dass die Erdung korrekt angeschlossen ist.
- Fügen Sie eine Sicherung mit den geforderten Werten in die Leitung ein.



VORSICHT:

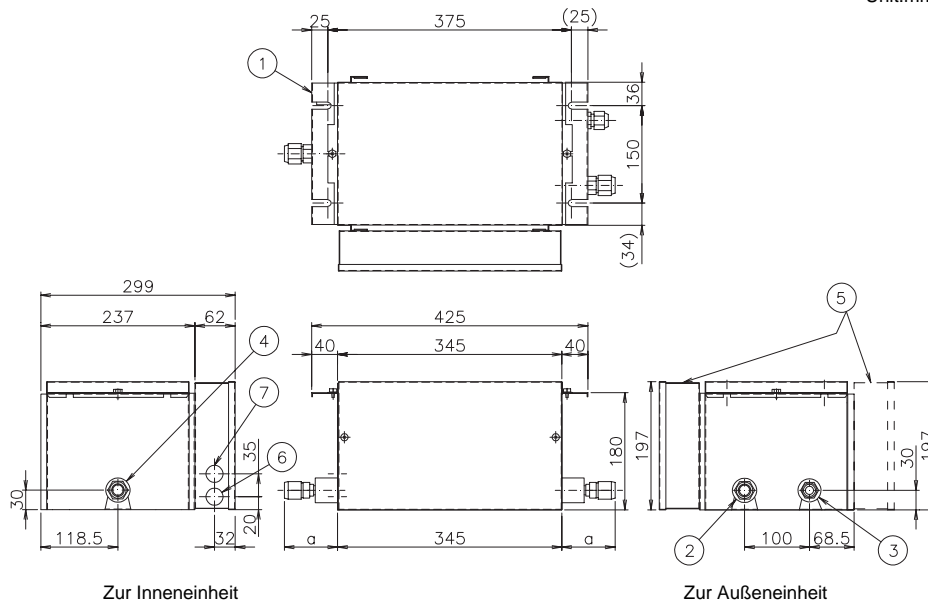
- Installieren Sie die CH-Einheit und deren Kabel nicht in weniger als 3 m Entfernung von starken elektromagnetischen Quellen wie medizinischen Geräten.

2. STRUKTUR

2.1. ABMESSUNGEN

2.1.1. Modell: CH-Einheit CH(4.0/8.0)NE

Unit:mm



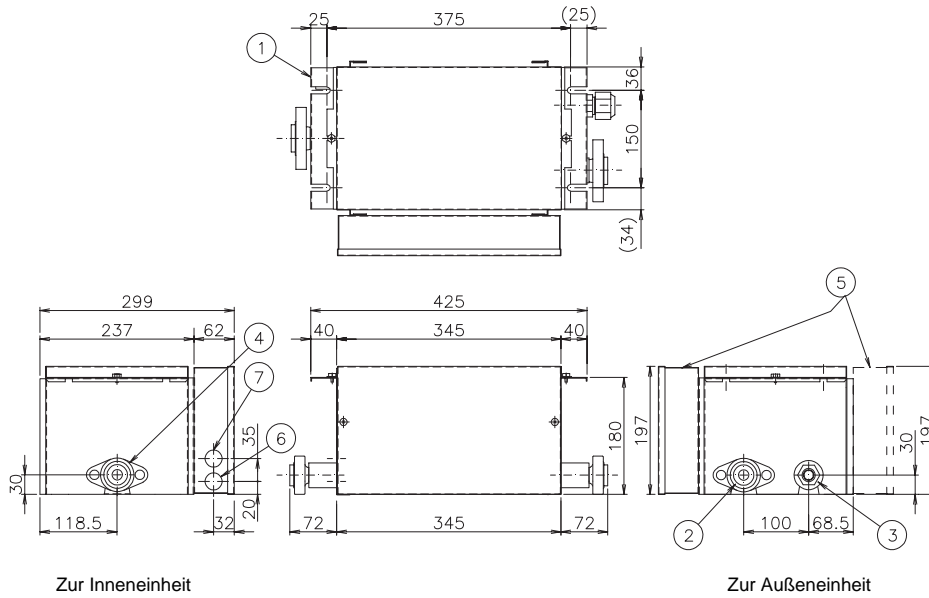
Zur Inneneinheit

Zur Außeneinheit

Nr	Bezeichnung	Anmerkungen	
		CH-4.0NE	CH-8.0NE
1	Halterung	für Schrauben M8 oder W5/16	
2	Kühlgasleitungsanschluss (Niederdruck)	Ø15.88 Flanschverbindung	Ø19.05 Flanschverbindung
3	Kühlgasleitungsanschluss (Hochdruck)	Ø12.7 Flanschverbindung	Ø15.88 Flanschverbindung
4	Kühlgasleitungsanschluss	Ø15.88 Flanschverbindung	Ø19.05 Flanschverbindung
5	Anschlussbox	(Verfügbare Befestigung auf beiden Seiten)	
6	Durchführung für Betriebsleitungen	Ø26.5	
7	Durchführung für Netzkabel	Ø26.5	
Abmessungen		a	
		78mm	82mm

2.1.2. Model: CH Unit – CH-12.0N

Unit:mm



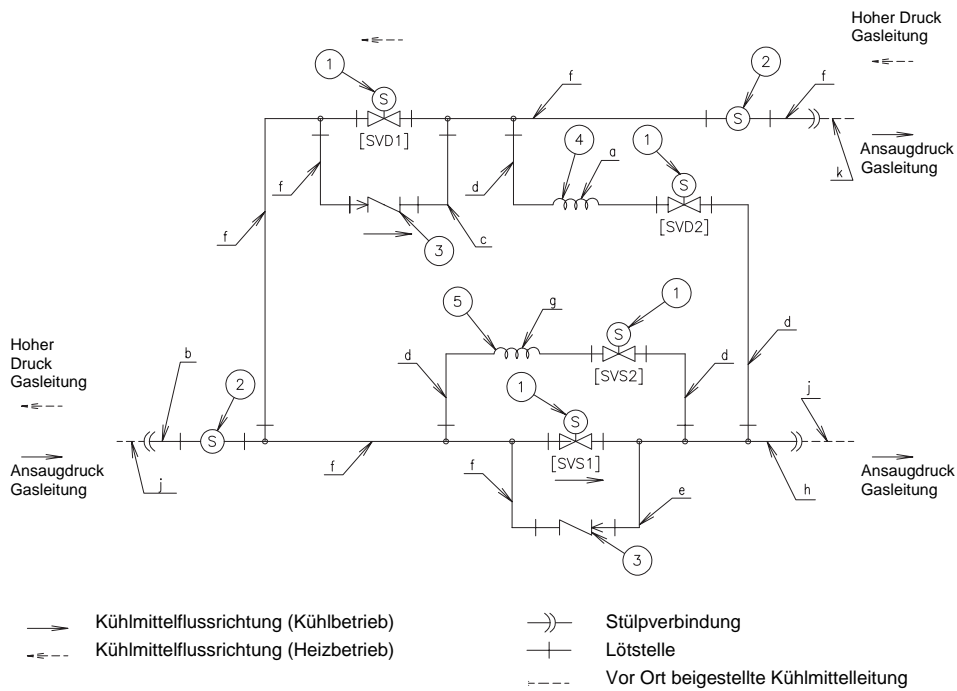
Nr	Bezeichnung	Anmerkungen
		CH-12.0N
1	Halterung	für Schrauben M8 oder W5/16
2	Kühlgasleitungsanschluss (Niederdruck)	Ø22.2 Flanschrohrbindung
3	Kühlgasleitungsanschluss (Hochdruck)	Ø19.05 Flanschverbindung
4	Kühlgasleitungsanschluss	Ø22.2 Flanschrohrbindung
5	Anschlussbox	(Verfügbare Befestigung auf beiden Seiten)
6	Durchführung für Betriebsleitungen	Ø26.5
7	Durchführung für Netzkabel	Ø26.5

2.2. KÜHLMITTELKREISLAUF

2.2.1. CH-Einheit (CH-4.0/8.0NE)

← Zur Inneneinheit

Zur Außeneinheit →



DEUTSCH

Nr	Teilebezeichnung
1	Magnetventil (AC)
2	Sieb
3	Prüfhahn
4	Kapillarrohr
5	Kapillarrohr

Markierung	Außendurchmesser Material O.D.(mm) × Stärke (mm)		Material
	CH-4.0NE	CH-8.0NE	
a	Ø2.5x0.7		Kupferrohr C1220T-O
b	Ø12.7×1.0	Ø15.88×1.0	
c	Ø9.53×0.8	Ø12.7×1.0	
d	Ø6.35×1.07		
e	Ø9.53×0.8		
f	Ø12.7×1.0		
g	Ø4.0x0.8	Ø4.0x0.5	
h	Ø12.7×1.0	Ø15.88×1.2	
j	Ø15.88	Ø19.05	
k	Ø12.7	Ø15.88	

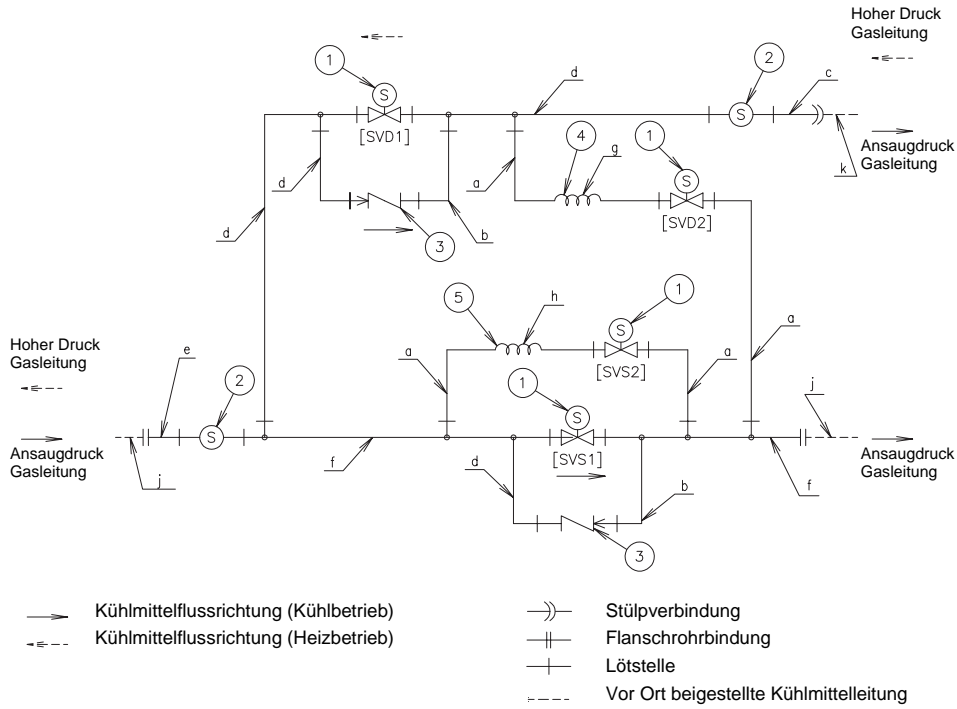
HINWEIS:

Die Markierung der Innenseite "[]" geht aus dem Stromlaufdiagramm hervor.

2.2.2. CH-Einheit – CH-12.0N

← Zur Inneneinheit

Zur Außeneinheit →



Nr	Teilebezeichnung
1	Magnetventil (AC)
2	Sieb
3	Prüfhahn
4	Kapillarrohr
5	Kapillarrohr

Markierung	Außendurchmesser Material O.D.(mm) x Stärke (mm)	Material
a	Ø6.35 x 1.07	Kupferrohr C1220T-O
b	Ø12.7 x 1.0	
c	Ø15.88 x 1.0	
d	Ø15.88 x 1.2	
e	Ø19.05 x 1.2	
f	Ø19.05 x 1.65	
g	Ø3.0 x 0.8	
h	Ø4.0 x 0.5	
j	Ø22.2	
k	Ø19.05	

HINWEIS:

Die Markierung der Innenseite "[]" geht aus dem Stromlaufdiagramm hervor.

2.3. LISTE DER ZUR MONTAGE NOTWENDIGEN WERKZEUGE UND INSTRUMENTE

Nr.	Werkzeug	Nr.	Werkzeug
1	Handsäge	11	Klemme
2	Phillips-Schraubendreher	12	Ladeflasche
3	Vakuumpumpe	13	Mehrfachanschlussstück
4	Kühlmittelschlauch	14	Kabelschneider
5	Widerstandsmessgerät	15	Gasleckdetektor
6	Rohrkurvenwerkzeug	16	Wasserwaage
7	Manuelle Wasserpumpe	17	Klemmzange für lötfreie Verbinder
8	Rohrschneider	18	Winde (für Inneneinheit)
9	Lötgerät	19	Amperemeter
10	Schraubenschlüssel	20	Voltmeter

3. TRANSPORT UND HANDHABUNG

Transportieren Sie das Gerät vor dem Auspacken so nahe zur Aufstellungsstelle wie praktisch möglich.



WARNUNG:

Bringen Sie keinerlei Fremdkörper in die CH-Einheit ein und prüfen Sie vor der Installation und dem Testlauf, dass auch in der Außeneinheit keine solchen vorhanden sind. Sonst besteht akute Feuer- und Fehlfunktionsgefahr.



VORSICHT:

*Legen Sie nichts auf die Geräte.
Seien Sie beim Entfernen der Gehäuseteile vorsichtig, um die Isolierung nicht zu beschädigen.*

3.1. KOMBINATION CH-EINHEIT UND INNENEINHEIT

Die CH-Einheit für das SET-FREE FXN(E) System ist in einem Innenraum zwischen Außen- und Inneneinheit zu installieren. Die CH-Einheit und Inneneinheiten werden wie folgt kombiniert:

Modell	Anzahl Inneneinheiten	Gesamtleistung Inneneinheiten (PS)
CH-4.0NE	1 bis 5	Weniger als 4.0 (unter Ausschluss von 4.0)
CH-8.0NE	1 bis 8	4.0~8.0 (i einschließlich 4.0 und ausschließlich 8.0)
CH-12.0N	1 bis 5	8.0~12.0 (i einschließlich 8.0 und ausschließlich 12.0)

4. MONTAGE DER CH-EINHEIT


GEFAHR:

Installieren Sie die CH-Einheit nicht in explosionsgefährdeter Umgebung.


WARNUNG:

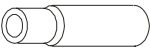
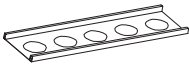
Prüfen Sie, dass die Deckenaufhängung stark genug ist.

Installieren Sie die CH-Einheit nicht im Freien. Bei Montage im Freien sind Stromschläge zu erwarten.

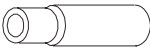
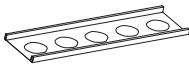
4.1. MITGELIEFERTES ZUBEHÖR

Prüfen Sie, dass das folgende Zubehör mitgeliefert wurde.

■ Mitgeliefertes Zubehör (für CH-4.0NE).

Schaltuhr		Stk	Zweck
Reduzierstück ($\varnothing 15,88$ to $\varnothing 12,7$)		1	Zum Anschluss der $\varnothing 12,7$ mm Kühlmittleitung von der Inneneinheit
Rohrbefestigungsband		2	Zur Befestigung der Flüssigkeitsleitung

■ Mitgeliefertes Zubehör (für CH-8.0NE).

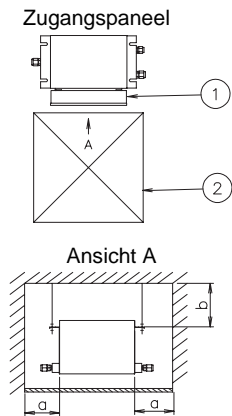
Schaltuhr		Stk	Zweck
Reducer ($\varnothing 19,05$ to $\varnothing 15,88$)		1	Zum Anschluss der $\varnothing 15,88$ mm Kühlmittleitung von der Inneneinheit
Rohrbefestigungsband		2	Zur Befestigung der Flüssigkeitsleitung

■ Mitgeliefertes Zubehör (für CH-12.0N).

Schaltuhr		Stk	Zweck
Rohrflansch, Größe ($\varnothing 22,2$)		2	Für Kühlmittleitung (Hochdruck) von der Außeneinheit
Paket für Flansch		2	Flanschdichtung
Isolierung ($\varnothing 38$ ID)		1	Für Kühlmittleitungsanschluss
Rohrbefestigungsband		2	Zur Befestigung der Flüssigkeitsleitung
Kabelschlaufe		8	Zur Fixierung der Kühlmittelrohrisolierung

4.2. PRÜFUNG VOR DEM START

4.2.1. Montieren Sie die CH-Einheit allseitig mit ausreichendem Wartungsabstand. Siehe folgende Abbildung:



Nr	Bezeichnung
①	Anschlussbox
②	Zugangspaneel

Markierung	Abmessungen (Min.)	
Modell	CH-4-0/8.0	CH-12.0
a	250mm	350mm
b	100mm	

DEUTSCH

4.2.2. Nach Einschalten des Magnetventils in der CH-Einheit können Kühlmittelflussgeräusche auftreten. Zur Geringhaltung dieser ist wie folgt vorzugehen.

- Installieren Sie die CH-Einheit in der Decke. Wählen Sie ein Deckenmaterial wie z. B. Gipsplatten, das die Betriebsgeräusche dämpft.
- Installieren Sie die CH-Einheit nicht in Bettnähe oder Krankenzimmern.
- Installieren Sie die CH-Einheit nicht an heißen oder feuchten Stellen wie in einer Küche, um Kondensationen an den Außenflächen zu vermeiden.

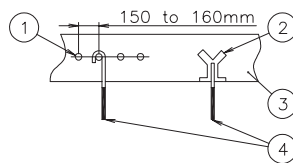
4.2.3. Beachten Sie bei der Montage der CH-Einheit in Krankenhäusern und ähnlichen Einrichtungen mit elektromagnetischer Strahlung wie von medizinischen Geräten bitte folgende Punkte:

- Montieren Sie die CH-Einheit nicht, wo direkter elektromagnetischer Einfluss auf die Anschlussbox oder die Kabelverbindung besteht.
- Installieren Sie die CH-Einheit und ihre Komponenten so weit weg wie praktisch möglich aber mindestens 3 m entfernt von elektromagnetischen Störquellen.
- Installieren Sie einen Störfilter, falls die Netzversorgung Interferenzen verursacht.

4.3. AUFHÄNGESCHRAUBEN

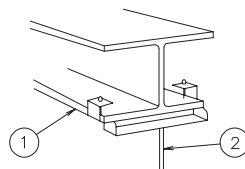
- Wählen Sie die Montagestellung und Ausrichtung der Inneneinheit auch im Hinblick auf ausreichenden Platz für Rohrleitungen, Kabel und Wartung.
- Die Aufhängeschrauben wie folgt montieren.

- Für Betonplatten



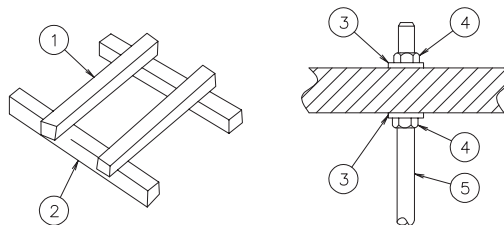
Nr	Bezeichnung
①	Ankerschrauben
②	Einsatz (100 bis 150kg)
③	Beton
④	Aus Stahl (W3/8 bis M10)

- Für Stahlträger



Nr	Bezeichnung
①	Träger
②	Aufhängeschrauben (W3/8 bis M10)

- Für Aufhängung an Holzbalken



Nr	Bezeichnung
①	Holzleisten (60-90mm quadratisch)
②	Holzbalken
③	Unterlegscheiben
④	Muttern
⑤	Ösenchraube (W3/8 bis M10)

4.4. MONTAGE

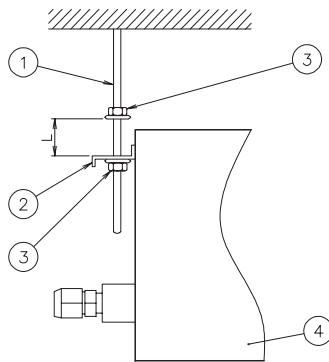
4.4.1. Markieren der Positionen der Aufhängeschrauben und Rohranschlüsse

- Markieren Sie die Lage der Aufhängeschrauben, Kühlmittelrohr- und Abwasseranschlüsse.
- Siehe Abmessungen für die Installation in Kapitel 2.1.

4.4.2. Montage der CH-Einheit

■ **Anbringen der Muttern**

Die Muttern der vier Aufhängeschrauben sind, wie unten zu sehen, schon vor Aufhängen der CH-Einheit anzubringen



Nr	Bezeichnung
①	Aufhängeschraube
②	Halterung
③	Scheibe und Mutter (Vor Ort beigestellt)
④	CH-Box

Mark	Abmessungen
L	30-50mm

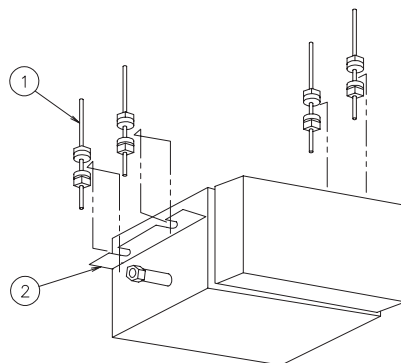
DEUTSCH

Field-Supplied Parts	CH-(4.0/8.0/12.0)NE
Aufhängeschrauben	4-M10 oder W-3/8
Mutter	8-M10 oder W-3/8
Unterlegscheibe	8-M10 oder W-3/8

■ **Aufhängung der CH-Einheit**

Die Halteklammern unter die Scheibe und Mutter der Aufhängeschrauben einsetzen, wie unten gezeigt.

Prüfen, dass die Scheiben und Muttern korrekt von den Halteklammern fixiert werden.

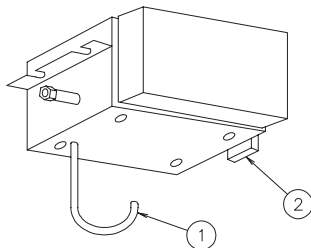


Nr	Bezeichnung
①	Aufhängeschraube
②	Halterung

4.4.3. Einstellung der Lage der Einheit

■ Stellung der Muttern

Um einen fehlerhaften Betrieb des Geräts zu vermeiden, sollte die Ausrichtung des Geräts mit einer Wasserwaage in einem durchsichtigen Vinylrohr, das Wasser enthält, geprüft werden.



Nr	Bezeichnung
①	Plastikschlauch
②	Ansatz Wasserwaage

Nach Abschluss der Justierung die Schrauben der Aufhängemuttern mit den Halteklammern festziehen.
Die Schrauben müssen mit speziellem Schraubenkleber gegen ungewolltes Lösen geschützt werden.

5. ARBEIT AN DEN KÜHLMITTELROHREN



GEFAHR:

Nur Kühlmittel R407C im Kühlkreislauf benutzen. Niemals zur Leckprüfung Sauerstoff, Azetylen oder andere brennbare oder gifte Gase in den Kreislauf einführen. Diese Art von Gasen sind äußerst gefährlich und können Explosionen hervorrufen. Für solche Tests nur Druckluft, Stickstoff oder Kühlmittel benutzen.

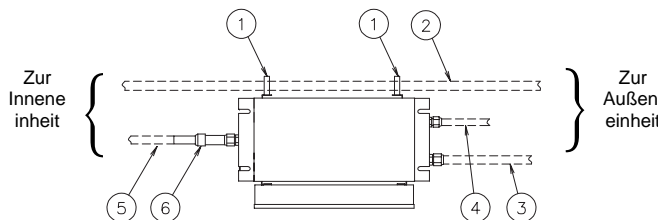
5.1. ROHRMATERIAL

1. Ort bereitgestelltes Kupferrohr vorbereiten.
2. Nur sauberes Kupferrohr verwenden. Versichern Sie sich, dass die Rohre innen frei von Schmutz und Feuchtigkeit sind. Die Rohre vor Einbau gründlich mit Stickstoff oder getrockneter Luft durchblasen, um alle Art von Staub und Fremdkörpern zu entfernen.
3. Die Rohrgrößen sind aus der Abmessungszeichnung zu entnehmen

5.2. ROHRANSCHLUSS

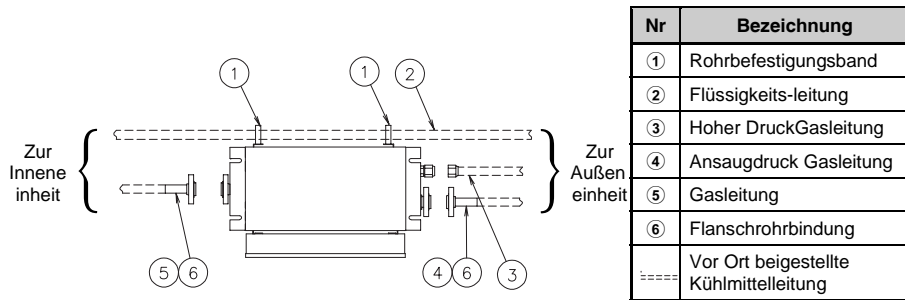
1. Die Lage der Rohranschlüsse geht aus der Abmessungszeichnung hervor.
2. Schließen Sie die Zubehöreile an, so wie es in nachfolgendem Schaltplan abgebildet ist.

■ CH-(4.0/8.0)NE



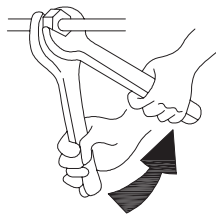
Nr	Bezeichnung
①	Rohrbefestigungsband
②	Flüssigkeitsleitung
③	Ansaugdruck Gasleitung
④	Hoher Druck Gasleitung
⑤	Gasleitung
⑥	Reduzierstück
----	Vor Ort beigestellte Kühlmittelleitung

■ CH-12.0N



DEUTSCH

3. Zum Festziehen der Flanschmuttern zwei Schlüssel benutzen, wie unten gezeigt.

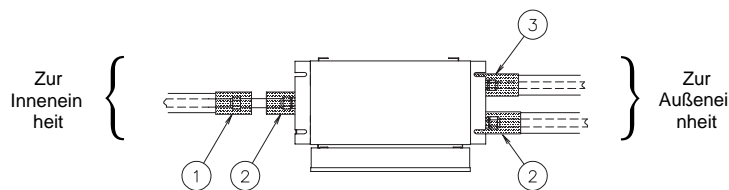


Rohrgröße		Anzugdrehmoment (N.m)
Ø6.35	(1/4)	2
Ø9.53	(3/8)	4
Ø12.7	(1/2)	6
Ø15.88	(5/8)	8
Ø19.05	(3/4)	10

4. Nach Anschluss der Kühlmittelrohre diese, wie unten zu sehen, mit dem lieferumfang Isolationsmaterial isolieren.
 Das mitgelieferte Flanschrohr zum Anschluss des Niederdruck-Gasrohrs benutzen. Die Dichtung am Gasrohreinlass der Einheit sollte durch die mit der Einheit mitgelieferte ausgetauscht werden. (Der Flanschanschluss ist mit vor Ort beigestelltem Material thermisch zu isolieren).

HINWEIS:

Der mitgelieferte Flansch ist vor Anschluss des Ventils mit dem Anschlussrohr zu verschweißen. Die Dichtung erst nach dem Verlöten des Rohrs einsetzen. Beim Anschluss des Flanschs besonders auf die korrekte Lage der Dichtung achten.

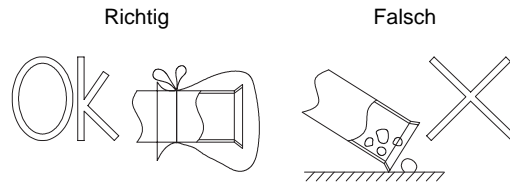


Nr	Bezeichnung	Anmerkungen
①	Isolierung	- Nicht mitgelieferte – CH-4.0NE unit
②	Isolierung	- Nicht mitgelieferte – CH-(4.0/8.0/12.0)NE units
③	Isolierung	- Nicht mitgelieferte – CH-(4.0/8.0)NE - Mitgeliefertes Zubehör CH-12.0N



VORSICHT:

- Vor Einführen eines Rohrs durch ein Loch dessen Öffnung verstopfen.
- Das Rohrmaterial nicht ohne Stopfen oder Umkleben der Enden auf den Boden legen.
- Alle entflammaren Materialien aus der Umgebung der Einheiten entfernen. Sonst besteht akute Feuergefahr.



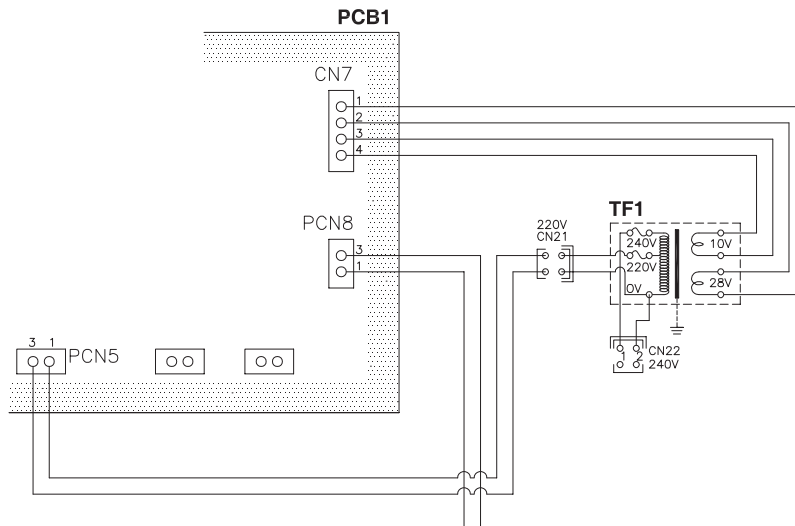
5. Die Kühlmittelent- und -Beladung ist nach den Anweisungen im "Installations- und Betriebsanleitung" der Außeneinheit durchzuführen.

6. KABELVERLEGUNG



WARNUNG:

- Schalten Sie die Stromversorgung zur CH-, Außen- und Inneneinheit vor Beginn von Kabelarbeiten oder Inspektionen aus.
- Die Kabel, Elektroteile etc. vor Ratten und anderen Nagern schützen.
- Die unten stehenden Punkte vor Einschalten des Hauptschalters prüfen.
Bei einer Netzspannung der Inneneinheit von 240V (Nennspannung), wie unten zu sehen, in der Schaltbox den Stecker CN21 am Trafo (TF1) zur Klemme CN22 wechseln



VORSICHT:

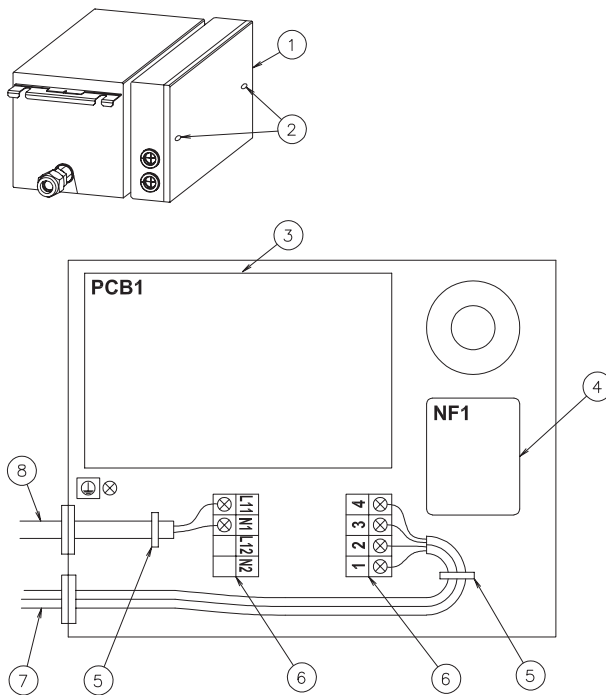
- Wickeln Sie das zusätzliche Isolationsmaterial um die Kabel und verstopfen Sie die Kabeldurchführung mit der Siegelmasse, um das Gerät vor Kondenswasser oder Insekten zu schützen. Binden Sie die Kabel in der Anschlussbox mit dem Kabelbinder zusammen.

6.1. ALLGEMEINE ÜBERPRÜFUNG

- Sichern Sie ab, dass die vor Ort beigestellten Elektroteile (Hauptschalter, Sicherungen, Kabel, Stecker und Klemmen) den Anforderungen im technischen Katalog entsprechend ausgewählt wurden. Außerdem müssen alle diese Elektroteile den örtlichen und internationalen Normen entsprechen.
- Versichern Sie sich, dass die Netzspannung nicht mehr als $\pm 10\%$ von der Nennspannung abweicht.
- Prüfen Sie die Versorgungsleistung. Ist sie zu niedrig, kann das System wegen zu starkem Spannungsabfall beim Einschalten nicht starten.
- Prüfen Sie, dass die Erdung angeschlossen ist.

6.2. ELEKTRISCHE VERKABELUNG

Die Verkabelung wird in dem folgenden Schaltbild dargestellt.



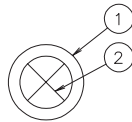
Nr	Bezeichnung
①	Anschlussbox
②	Befestigungsschraube
③	Schaltplatine
④	Störfilter
⑤	Kabelbinder
⑥	Klemmenleisten
⑦	Steuerleitung
⑧	Netzversorgung

HINWEIS:

Auf der Klemmenplatte dienen die Klemmen 1 und 2 für das H-Link-System und die Klemmen 3 und 4 für die Verbindung zwischen Inneneinheit und CH-Einheit.

1. Schalten Sie die Stromversorgung aus und entfernen den Deckel von der Anschlussbox der CH-Einheit.
2. Schneiden Sie das Zentrum der Gummitülle zur Kabeldurchführung ab, wie im folgenden gezeigt.
3. Schließen Sie das Netz- und das Erdungskabel an die Klemmen in der Anschlussbox an.
4. Schließen Sie die Steuerleitung an ihre Klemmen in der Anschlussbox an.

5. Binden Sie die Kabel mit einem Kabelbinder in der Anschlussbox ordentlich zusammen.
6. Setzen Sie den Deckel der Anschlussbox wieder auf.

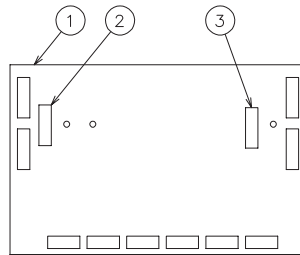


Nr	Bezeichnung
①	Gummitülle
②	Einschneiden

6.3. EINSTELLUNG DER DIP-SCHALTER

■ Stellung der DIP-Schalter

Die PCB1-Platine in der Anschlussbox der CH-Einheit ist mit zwei DIP-Schaltern (DSW2, DSW5) ausgestattet, wie aus folgender Abbildung hervorgeht.



Nr	Bezeichnung
①	PCB1
②	DSW5
③	DSW2

■ Einstellung der DIP-Schalter

Die Werkseinstellung der DIP-Schalter braucht nicht vor Ort geändert zu werden. Diese sind nur zur Selbstdiagnose der PCB notwendig.

Werkseinstellung (Dip-Schalter)

- DSW5



- DSW2



HINWEIS:

Die Markierung "■" zeigt die Stellung der DIP-Schalter. Die obige Abbildung zeigt die Werkseinstellung



VORSICHT:

Vor Verändern der DIP-Schalter ist die Stromversorgung zu unterbrechen. Die Änderung der Schalterstellungen bei eingeschalteter Netzspannung sind unwirksam.

7. TESTLAUF

Führen Sie einen Testlauf durch, wie im "Installations- und Betriebshandbuch" der Außeneinheit beschrieben.



WARNUNG:

Nehmen Sie das System nicht in Betrieb, bevor nicht alle Checkpunkte geprüft wurden.

- *Prüfen Sie durch eine Widerstandsmessung zwischen Masse und den elektrischen Anschlussklemmen, dass der Widerstand höher als 1 M Ω ist. Ist der Widerstand geringer, das System auf keinen Fall einschalten, bevor die Stromflussstelle gefunden und behoben wurde.*
- *Versichern Sie sich, dass die Verschlussähne an der Außeneinheit komplett geöffnet sind und starten dann das System.*
- *Prüfen Sie dass die Hauptstromversorgung vor Inbetriebnahme mindestens 12 Stunden eingeschaltet war, um das Kompressoröl vorzuwärmen.*

Achten Sie bei laufendem Gerät auf die folgenden Punkte:

- *Fassen Sie keine Teile im Gasentladebereich an, da die Kompressorkammer und die Rohre in diesem Bereich heißer als 90°C werden können.*
- *NICHT DEN TASTER DES MAGNETSCHALTERS BETÄTIGEN. Dies würde zu einem ernsthaften Unfall führen.*

1. CONSIGNES DE SÉCURITÉ



ATTENTION:

- Ne pas procéder aux travaux d'installation, tuyauterie frigorifique et câblage électrique sans se référer à notre manuel d'installation.
- Vérifier que le câble de mise à la terre est branché fermement.
- Connecter un fusible de la puissance spécifiée.



PRECAUTION :

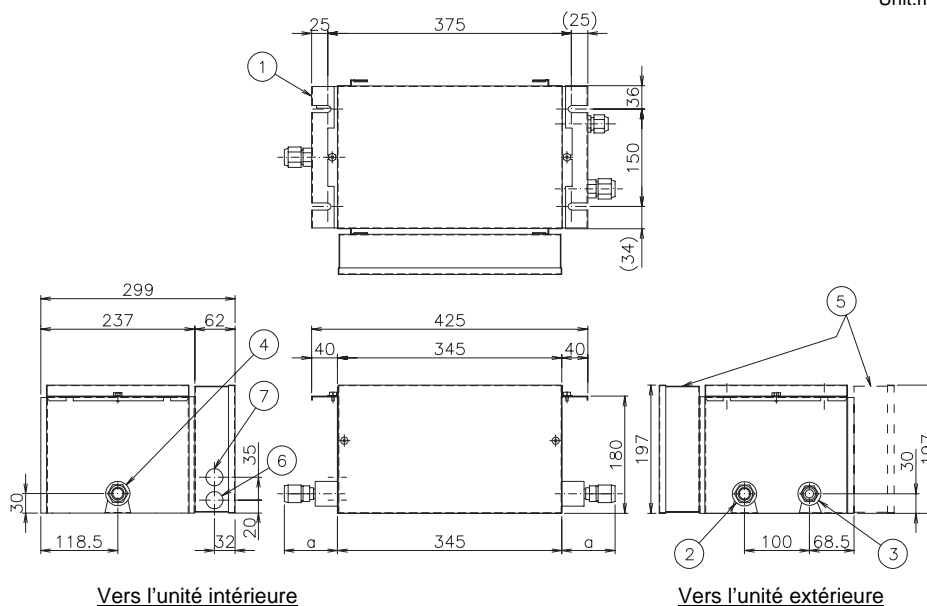
- Ne pas installer l'unité CH et le câble dans un rayon de 3 mètres de radiateurs à fortes ondes électromagnétiques (matériel médical par exemple).

2. STRUCTURE

2.1. DIMENSIONS

2.1.1. Modèle : Unité CH -(4.0/8.0)NE

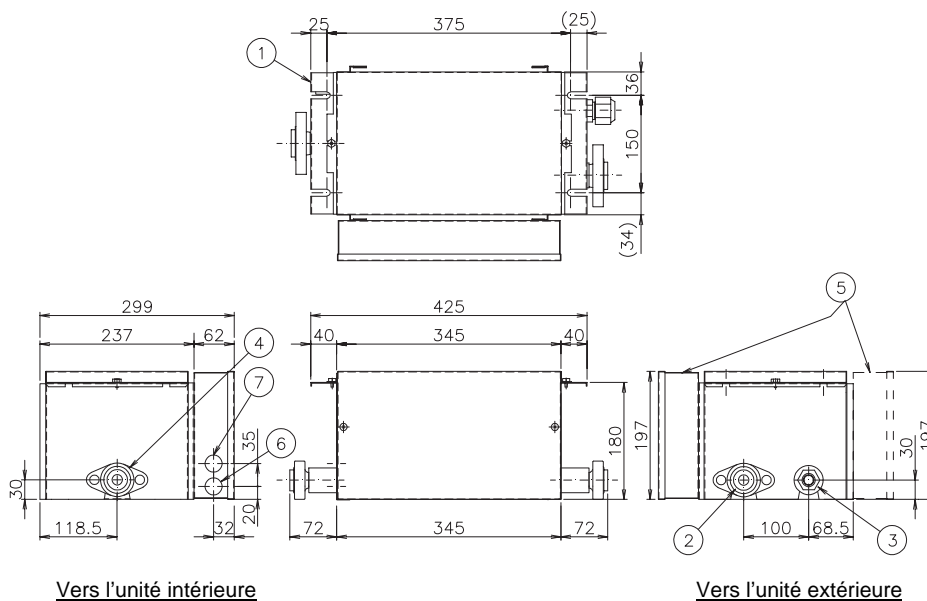
Unit:mm



N°	Nom	Remarques	
		CH-4.0NE	CH-8.0NE
1	Support de suspension	Pour boulon M8 ou W5/16	
2	Raccord du tuyau du gaz frigorigène (en bas)	Ø15.88 Raccord évasé	Ø19.05 Raccord évasé
3	Raccord du tuyau du gaz frigorigène (en haut)	Ø12.7 Raccord évasé	Ø15.88 Raccord évasé
4	Raccord du tuyau du gaz frigorigène	Ø15.88 Raccord évasé	Ø19.05 Raccord évasé
5	Boîtier de commande électrique	(Fixation disponible des deux côtés)	
6	Orifice pour la ligne de fonctionnement	Ø26.5	
7	Orifice pour la ligne d'alimentation électrique	Ø26.5	
Dimension		a	
		78mm	82mm

2.1.2. Modèle : Unité CH-12.0N

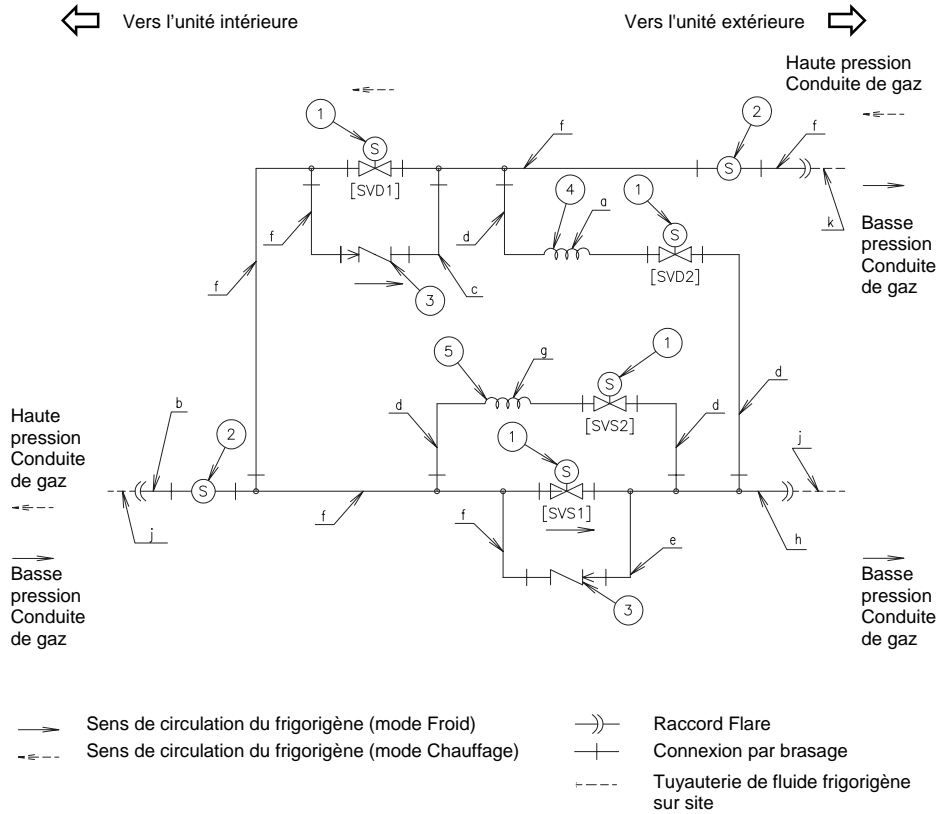
Unit:mm



N°	Nom	Remarques
		CH-12.0N
1	Support de suspension	Pour boulon M8 ou W5/16
2	Raccord du tuyau du gaz frigorigène (en bas)	Ø22.2 Joint à brides
3	Raccord du tuyau du gaz frigorigène (en haut)	Ø19.05 Raccord évasé
4	Raccord du tuyau du gaz frigorigène	Ø22.2 Joint à brides
5	Boîtier de commande électrique	(Fixation disponible des deux côtés)
6	Orifice pour la ligne de fonctionnement	Ø26.5
7	Orifice pour la ligne d'alimentation électrique	Ø26.5

2.2. CYCLE DE FLUIDE FRIGORIGENE

2.2.1. Unité CH(4.0/8.0NE)



FRANÇAIS

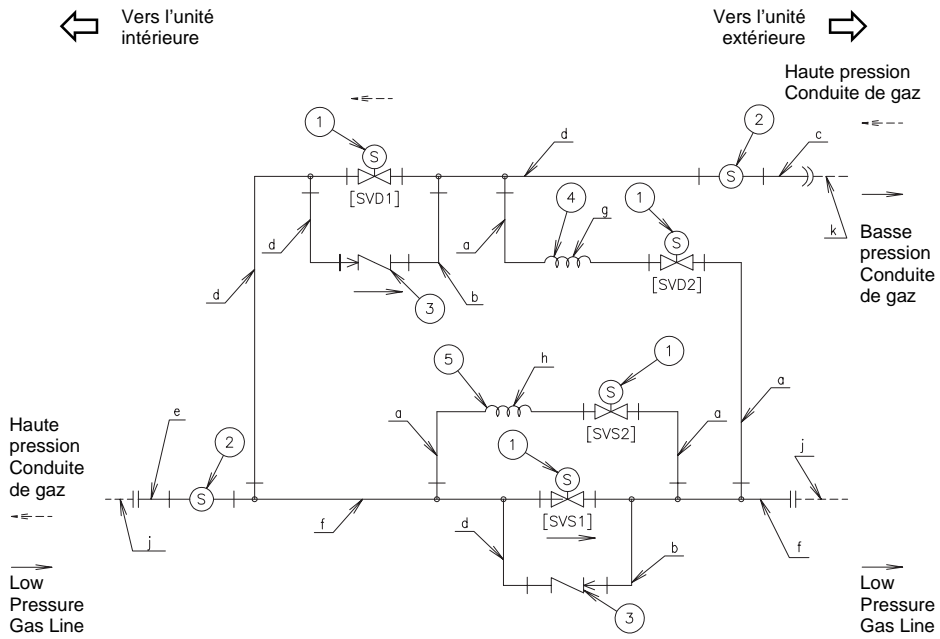
N°	Nom
1	Electrovanne (C.A.)
2	Epurateur
3	Check Valve
4	Tuyau capillaire
5	Tuyau capillaire

Repère	Diamètre ext. (mm) x épaisseur (mm)		Matériau
	CH-4.0GE	CH-8.0GE	
a	Ø2.5x0.7		Tube en cuivre C1220T-O
b	Ø12.7x1.0	Ø15.88x1.0	
c	Ø9.53x0.8	Ø12.7x1.0	
d	Ø6.35x1.07		
e	Ø9.53x0.8		
f	Ø12.7x1.0		
g	Ø4.0x0.8	Ø4.0x0.5	
h	Ø12.7x1.0	Ø15.88x1.2	
j	Ø15.88	Ø19.05	
k	Ø12.7	Ø15.88	

REMARQUE :

"Le symbole à l'intérieur des ""[]"" est montré dans le schéma de câblage électrique."

2.2.2. Unité CH-12.0N



- Sens de circulation du frigorigène (mode Froid)
- - - - Sens de circulation du frigorigène (mode Chauffage)
- ⌋ Raccord Flare
- ⌋ Connexion par bride
- ⌋ Connexion par brasage
- - - - Tuyauterie de fluide frigorigène sur site

N°	Nom
1	Electrovanne (C.A.)
2	Epurateur
3	Vanne de service
4	Tuyau capillaire
5	Tuyau capillaire

Repère	Diamètre ext. (mm) x épaisseur (mm)	Matériau
a	∅6.35 x 1.07	Tube en cuivre C1220T-O
b	∅12.7 x 1.0	
c	∅15.88 x 1.0	
d	∅15.88 x 1.2	
e	∅19.05 x 1.2	
f	∅19.05 x 1.65	
g	∅3.0 x 0.8	
h	∅4.0 x 0.5	
j	∅22.2	
k	∅19.05	

REMARQUE :

"Le symbole à l'intérieur des ""[]"" est montré dans le schéma de câblage électrique."

2.3. LISTE DES OUTILS ET INSTRUMENTS NECESSAIRES POUR L'INSTALLATION

No.	Outil	No.	Outil
1	Scie égoïne	11	Clé
2	Tournevis cruciforme	12	Cylindre de charge
3	Pompe à vide	13	Manifold
4	Flexible pour le gaz frigorigène	14	Cutter pour les câbles
5	Mégohmmètre	15	Détecteur de fuites de gaz
6	Cintreuse pour tuyaux en cuivre	16	Planeuse
7	Pompe à eau manuelle	17	Attache-fils pour bornes non soudées
8	Cutter pour tuyaux	18	Élévateur (pour l'unité intérieure)
9	Kit de brasage	19	Ampèremètre
10	Clé à six pans	20	Tensiomètre

FRANÇAIS

3. TRANSPORT ET MANIPULATION

Amenez le produit le plus près possible du site d'installation avant de le déballer.

**AVERTISSEMENT :**

N'introduisez aucun matériel étranger dans l'unité CH et assurez-vous qu'il n'y a rien à l'intérieur avant l'installation et le passage des tests. Sans cette précaution, l'appareil pourrait prendre feu ou subir des défaillances.

**ATTENTION :**

Ne déposez aucun matériel sur l'appareil. Faites attention à ne pas endommager les matériaux d'isolation qui recouvrent l'unité lorsque vous la soulevez.

3.1. COMBINAISON UNITE CH ET UNITE INTERIEURE

Dans le cas du système SET-FREE FXN(E), l'unité CH est installée à l'intérieur, entre le groupe extérieur et l'unité intérieure. Les unités CH et unités intérieures peuvent être combinées comme suit :

Modèle	Nbre d'unités intérieures :	Puissance totale intérieure (CV)
CH-4.0NE	1 à 5	Inférieure à 4.0(excluant 4.0)
CH-8.0NE	1 à 8	4.0~8.0 (incluant 4.0 et excluant 8.0)
CH-12.0N	1 à 5	8.0~12.0 (incluant 8.0and incluant 12.0)

4. INSTALLATION DE L'UNITÉ CH


DANGER :

Afin d'éviter tout danger d'incendie ou d'explosion, n'installez pas les unités intérieures dans un environnement inflammable.

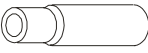
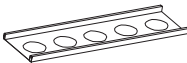

AVERTISSEMENT :

Assurez-vous que la plaque du plafond est suffisamment résistante.
N'installez pas les unités CH à l'extérieur. Installées à l'extérieur, un danger électrique ou une fuite pourraient se produire.

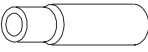
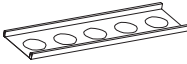
4.1. ACCESSOIRES FOURNIS EN STANDARD

Assurez-vous que les accessoires suivants sont livrés avec l'unité CH.



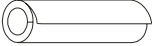
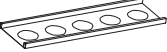

■ Accessoires fournis en standard - Pour CH-4.0NE

Accessoire	Qté	Utilisation	
Réducteur (Ø15.88 à Ø12.7)		1	Connexion de la tuyauterie liquide Ø12.7 de l'unité intérieure
Bande de fixation de tuyauterie		2	Pour la fixation de la tuyauterie de liquide

■ Accessoires fournis en standard - Pour CH-8.0NE

Accessoire	Qté	Utilisation	
Réducteur (Ø19.05 à Ø15.88)		1	Connexion de la tuyauterie liquide Ø15.88 de l'unité intérieure
Bande de fixation de tuyauterie		2	Pour la fixation de la tuyauterie de liquide

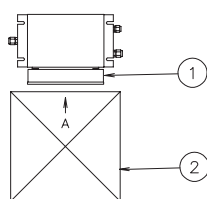
■ Accessoires fournis en standard - Pour CH-12.0N

Accessoire	Qté	Utilisation	
Taille du tuyau à bride (Ø22,2)		2	Pour tuyauterie gaz (haute) à partir de l'unité extérieure
Garniture pour la bride		2	Scellement de la bride
Isolation (Ø38 ID)		1	Raccord des tuyauteries frigorifiques
Bande de fixation de tuyauterie		2	Pour la fixation de la tuyauterie de liquide
Collier		8	Fixation de l'isolation des tuyauteries frigorifiques

4.2. VERIFICATION INITIALE

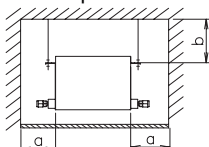
4.2.1. Installez l'unité CH dans un espace suffisamment dégagé pour permettre la maintenance, comme montré sur la figure ci-dessous :

Vide technique



N°	Nom
①	Boîte électrique
②	Trappe de maintenance

Vue à partir de A



Repère	Dimension (Min.)	
Modèle	CH-4-0/8.0	CH-12.0
a	250mm	350mm
b	100mm	

FRANÇAIS

4.2.2. Le bruit d'écoulement du frigorigène peut être entendu depuis l'unité CH lorsque l'électrovanne de cette unité est activée. Prenez les mesures suivantes pour minimiser le bruit :

- {-}-Install the CH unit inside the ceiling. As for the ceiling material, select a material like a plaster board which minimizes operation sound.
- Do not install the CH unit in near a bed room or hospital room.
- Ne pas installer l'unité CH dans un endroit chaud ou humide come la cuisin, a fin d'eviter l'apparition de condensation sur la surface externe de l'unité.

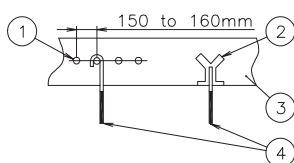
4.2.3. Prêtez attention aux points suivants lorsque l'unité CH est installée dans un hôpital ou autres lieux subissant des ondes électroniques provenant d'équipements médicaux.

- N'installez pas l'unité CH là où les radiations électromagnétiques peuvent atteindre directement la boîte électrique ou le câblage intermédiaire (ligne de service).
- Installez l'unité et ses composants aussi loin que possible ou du moins à 3 mètres de la source des radiations électromagnétiques.
- Installez un filtre antiparasite lorsque la source d'alimentation émet des nuisances sonores.

TIGES DE SUSPENSION

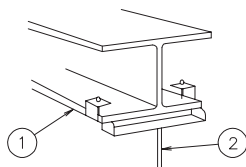
- Déterminez l'emplacement final et le sens d'installation de l'unité intérieure en veillant particulièrement à l'espace réservé aux tuyauteries, câblage et maintenance.
- Mettez en place les tiges de suspension, comme illustré ci-dessous:

- Dalle de béton:



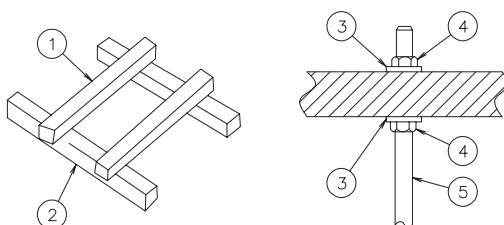
N°	Nom
①	Acier
②	Cheville (100 à 150 kg)
③	Béton
④	Boulon d'ancrage (W3/8 ou M10)

- Poutre d'acier:



N°	Nom
①	Profilé en I
②	Tige de suspension (W3/8 ou M10)

- Suspension à poutre en bois:



N°	Nom
①	Poutre en bois (60-90mm carré)
②	Poutre en bois
③	Rondelles carrées
④	Écrous
⑤	Tige de suspension (W3/8 ou M10)

4.3. INSTALLATION

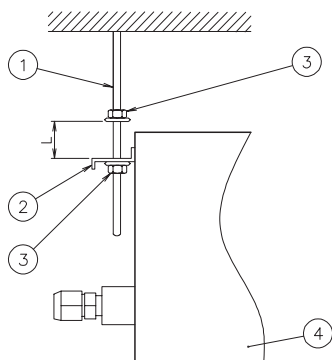
4.3.1. Marquage des emplacements des tiges de suspension et des raccords des tuyauteries

- Marquez les emplacements des tiges de suspension et des raccords des tuyauteries frigorifiques et de l'écoulement.
- Voir les dimensions de l'installation, chapitre 2.1.

4.3.2. Montage de l'unité CH

■ **Comment placer les écrous**

Put nuts on each of the four suspension bolts before suspending the CH unit, as shown below



N°	Nom
①	Tige de suspension
②	Support de suspension
③	Écrou & rondelle (fournis sur site)
④	CH-Box

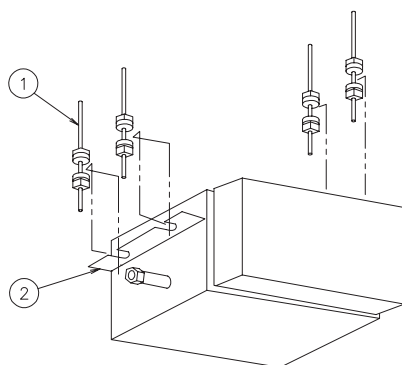
Repère	Dimension
L	30-50mm

Pièces fournies sur site	CH-(4.0/8.0/12.0)N(E)
Tiges de suspension	4-M10 ou W-3/8
Écrou	8-M10 ou W-3/8
Rondelle	8-M10 ou W-3/8

■ **Suspension de l'unité CH**

Fixez la patte de suspension à l'écrou et à la rondelle de chaque tige de suspension, comme montré ci-dessous.

Vérifiez que les écrous et rondelles sont correctement fixés par les éléments de rétention des pattes de suspension.

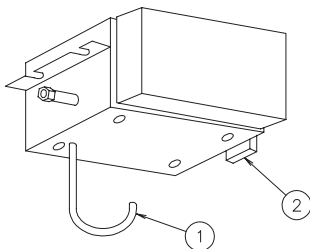


N°	Nom
①	Tige de suspension
②	Support de suspension

4.3.3. Réglage du niveau de l'unité

■ Comment placer les écrous

Afin d'éviter un mauvais fonctionnement de l'unité, vérifiez son niveau à l'aide d'un niveau à eau, consistant en un tube en vinyle transparent contenant de l'eau.



N°	Nom
①	Tube en vinyle
②	Echelle de niveau

Bloquez les boulons des tiges de suspension au moyen des pattes de suspension une fois le réglage terminé. Une peinture plastique spéciale peut être appliquée aux tiges afin d'en éviter le desserrage.

5. TUYAUTERIES DE FLUIDE FRIGORIGÈNE



DANGER :

Utilisez le fluide frigorigène R410A dans le circuit de fluide frigorigène. Ne chargez jamais d'oxygène, d'acétylène ou d'autres gaz inflammables et toxiques dans le circuit de fluide frigorigène lorsque vous procédez à des tests de fuite ou d'étanchéité. Ces types de gaz sont extrêmement dangereux et peuvent provoquer une explosion. Pour ces types de tests, il est conseillé d'utiliser exclusivement de l'air comprimé, de l'azote ou du fluide frigorigène.

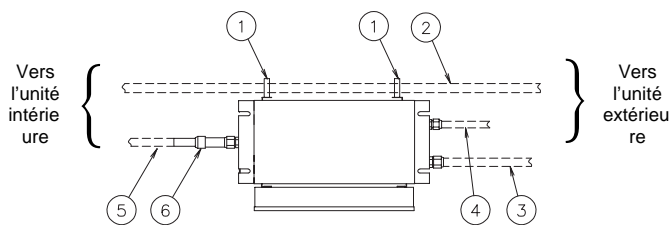
5.1. TUYAUTERIE

1. Préparer les tuyauteries en cuivre fournies sur site.
2. Sélectionner des tuyauteries en cuivre propres. Assurez-vous qu'il n'y a ni poussière ni humidité à l'intérieur. Avant de procéder au raccordement, soufflez de l'azote ou de l'air sec à l'intérieur des tuyaux pour éliminer toute poussière ou matière étrangère.
3. Sélectionner la taille des tuyaux en fonction des plans d'encombrement.

5.2. RACCORDEMENT DE TUYAUTERIE

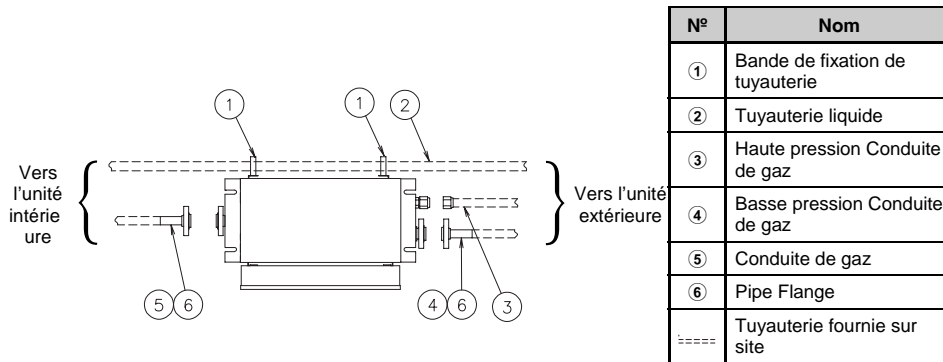
1. L'emplacement de la connexion des tuyaux est indiqué sur le plan d'encombrement.
2. Connectez les accessoires comme le montre le diagramme ci-dessous :

■ CH-(4.0/8.0)NE

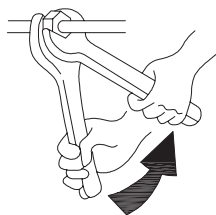


N°	Nom
①	Bande de fixation de tuyauterie
②	Tuyauterie liquide
③	Basse pression Conduite de gaz
④	Haute pression Conduite de gaz
⑤	Conduite de gaz
⑥	Réducteur
-----	Tuyauterie fournie sur site

■ CH-12.0N



3. Pour le serrage des écrous Flare, utilisez deux clés comme le montre la figure suivante.



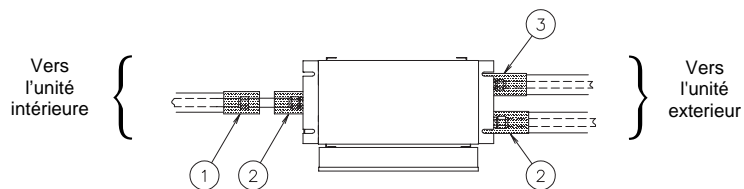
Diamètre du tuyau		Couple de serrage (N.m)
∅6.35	(1/4)	2
∅9.53	(3/8)	4
∅12.7	(1/2)	6
∅15.88	(5/8)	8
∅19.05	(3/4)	10

4. Après avoir raccordé le tuyau frigorifique, sceller les tuyaux à l'aide du matériel isolant fourni pour l'installateur, en se basant sur l'illustration suivante.

Utiliser le tuyau fourni en standard avec une bride pour raccorder le tuyau du gaz basse pression. Le joint statique situé à l'entrée du tuyau de gaz de l'unité doit être remplacé par celui fourni avec l'unité. (L'isolant thermique à appliquer sur le raccord de la bride doit être fourni in situ).

NOTE:

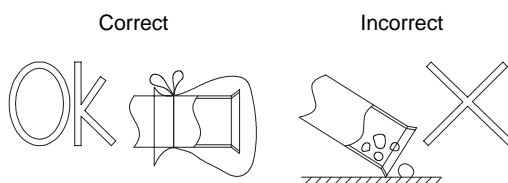
The factory-supplied flange should be welded with the connection pipe before connecting the valve. Mount the Insulations after the pipe brazing. Take particular care upon connecting flange so that Insulation is correctly located.



N°	Nom	Remarques
①	Isolation	- Fournie sur site – CH-4.0NE
②	Isolation	- Fournie sur site – CH-(4.0/8.0/12.0)N(E)
③	Isolation	- Fournie sur site – CH-(4.0/8.0)NE - Accessoires fournis en standard CH-12.0N

**ATTENTION :**

- Bouchez l'extrémité du tuyau lorsqu'il doit être inséré dans un trou.
- Ne posez pas les tuyaux directement sur le sol sans préalablement placer à leur extrémité un bouchon ou un embout en plastique.
- Enlever tous les matériaux inflammables autour des unités. Sinon, un incendie se déclarera.

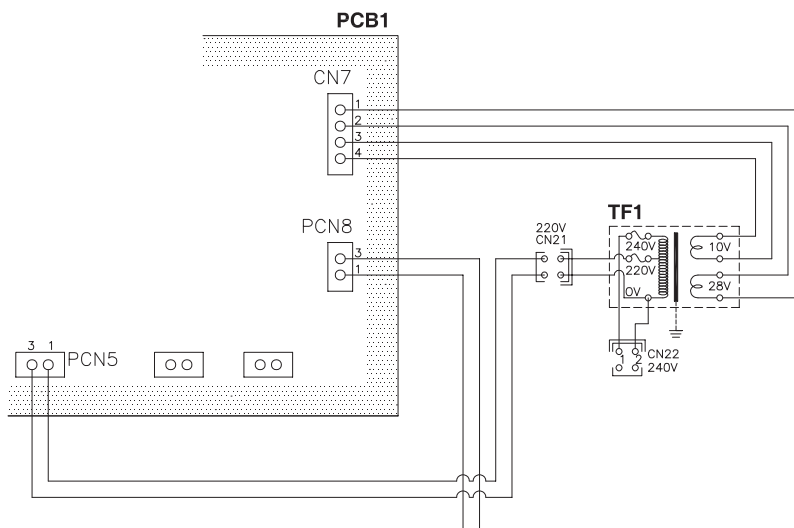


5. Les procédures d'évacuation et de chargement du fluide frigorigène doivent être exécutées conformément au "Catalogue technique" de l'unité extérieure.

6. CÂBLAGE ÉLECTRIQUE

**AVERTISSEMENT :**

- Mettez hors tension (interrupteur principal sur OFF) l'unité CH, l'unité intérieure et le groupe extérieur avant toute intervention sur la partie électrique ou toute intervention périodique de contrôle.
- Protégez les câbles, le tuyau d'évacuation, les parties électriques etc. des souris ou autre vermine.
- Vérifier le point ci-dessous avant de mettre l'unité sous tension (interrupteur principal sur ON). Si l'unité intérieure est alimentée en 240V (tension nominale), passez de CN21 (connecteur) à CN22 sur le transformateur (TF1) dans la boîte des commandes électriques, comme indiqué ci-dessous.





ATTENTION :

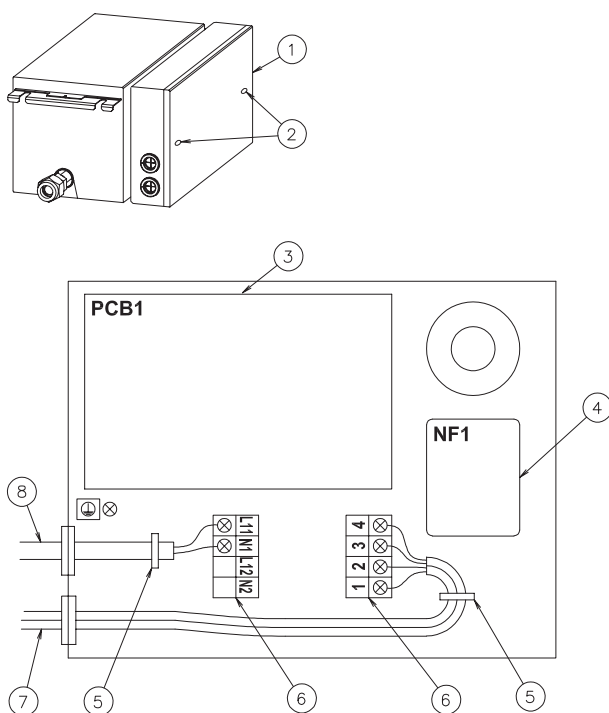
- Enveloppez les fils dans la garniture d'étanchéité fournie et bouchez l'orifice de connexion du câblage avec un matériau isolant afin de protéger l'élément de l'eau de condensation et des insectes.
- Fixez solidement les câbles dans le boîtier électrique à l'aide du collier de serrage.

6.1. VERIFICATION GENERALE

- Assurez-vous que les composants électriques fournis sur site (interrupteurs d'alimentation principaux, disjoncteurs, câbles, raccords de tube et cosses) ont été sélectionnés correctement, suivant les caractéristiques électriques spécifiées dans le catalogue technique. Assurez-vous que les composants respectent le National Electrical Code (NEC).
- Vérifiez que la tension d'alimentation est bien égale à la tension nominale $\pm 10\%$.
- Si la puissance de la source de courant est trop basse, le système ne pourra pas démarrer en raison de la chute de potentiel.
- Vérifier que le fil de terre est connecté.

6.2. CABLAGE ELECTRIQUE

Le câblage électrique de l'unité est montré sur la figure ci-dessous.



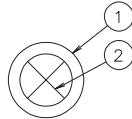
N°	Nom
①	Boîte électrique
②	Vis de fixation
③	Carte à circuits imprimés (CCI)
④	Filtre antiparasite
⑤	Attache de câble
⑥	Bornier
⑦	Ligne de service
⑧	Ligne d'alimentation électrique

REMARQUE :

Sur la plaque à bornes 2, les connecteurs 1 et 2 sont prévus pour le système H-Link et les connecteurs 3 et 4 doivent aller de la boîte CH-Box à l'unité intérieure.

1. Basculez l'interrupteur principal sur OFF et retirez le panneau de la boîte électrique de l'unité CH.
2. Découpez le centre de la bague en caoutchouc dans l'orifice de connexion du câblage, comme indiqué dans la figure ci-dessous.
3. Connecter l'alimentation électrique et les fils de terre aux bornes de la boîte électrique.

4. Connecter les câbles de la ligne de fonctionnement aux bornes de la boîte électrique.
5. Serrer fermement les câbles à l'aide des colliers dans la boîte électrique.
6. Fixer le cache de la boîte électrique une fois les travaux terminés.

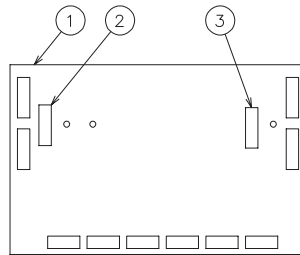


N°	Nom
①	Bague en caoutchouc
②	Découpez le centre

6.3. REGLAGE DES COMMUTATEURS DIP

■ Position des commutateurs Dip

La carte à circuits imprimés (CCI) PCB1 dans la boîte électrique de l'unité CH est équipée de deux types de commutateurs DIP (DSW2, DSW5) comme montré dans la figure ci-dessous.



N°	Nom
①	PCB1
②	DSW5
③	DSW2

■ Réglage des commutateurs DIP

Les commutateurs DIP sont réglés d'usine et aucun réglage sur site n'est nécessaire. Ils sont utilisés pour l'autodiagnostic de la carte à circuits imprimés (CCI).

Position réglée en usine (commutateur Dip)

- DSW5



- DSW2



REMARQUE :

Le repère "■" indique la position des commutateurs DIP. Les figures ci-dessus représentent le réglage d'usine.



ATTENTION :

Avant le réglage des commutateurs DIP, mettez tout d'abord le groupe extérieur hors tension et réglez la position des commutateurs DIP. Si les commutateurs sont réglés sans mise hors tension, les commutateurs ne fonctionneront pas.

7. TEST DE FONCTIONNEMENT

Le test de fonctionnement doit être exécuté conformément au "Catalogue Technique" du groupe extérieur.



AVERTISSEMENT :

Ne faites pas fonctionner le système avant d'avoir vérifié tous les points de contrôle.

- *Vérifier que la résistance électrique est supérieure à $1M\Omega$ en mesurant la résistance entre la terre et la borne des composants électriques. Dans le cas contraire, rechercher la fuite électrique et la réparer avant de mettre le système en marche.*
- *Vérifier que les soupapes d'arrêt du groupe extérieur sont complètement ouvertes avant de démarrer le système.*
- *Vérifier que l'interrupteur d'alimentation principale ait bien été mis sur ON depuis plus de 12 heures, afin que la résistance du carter chauffe l'huile du compresseur.*

Pendant le fonctionnement du système, observez les consignes suivantes :

- *Ne toucher aucune partie avec la main du côté du refoulement de gaz car le carter du compresseur et les tuyaux sont chauffés à plus de $90^{\circ}C$.*
- *N'appuyez pas sur le bouton du (des) contacteur(s) magnétique(s). Vous provoqueriez un accident grave.*

1. INFORMAZIONI SULLA SICUREZZA



ALLARME:

Non effettuare lavori di installazione, al circuito del refrigerante ed alle connessioni elettriche senza consultare il nostro manuale di installazione.

Assicurarsi che l'impianto di terra sia adeguatamente connesso.

Connettere un fusibile della capacità specificata.



PRUDENZA:

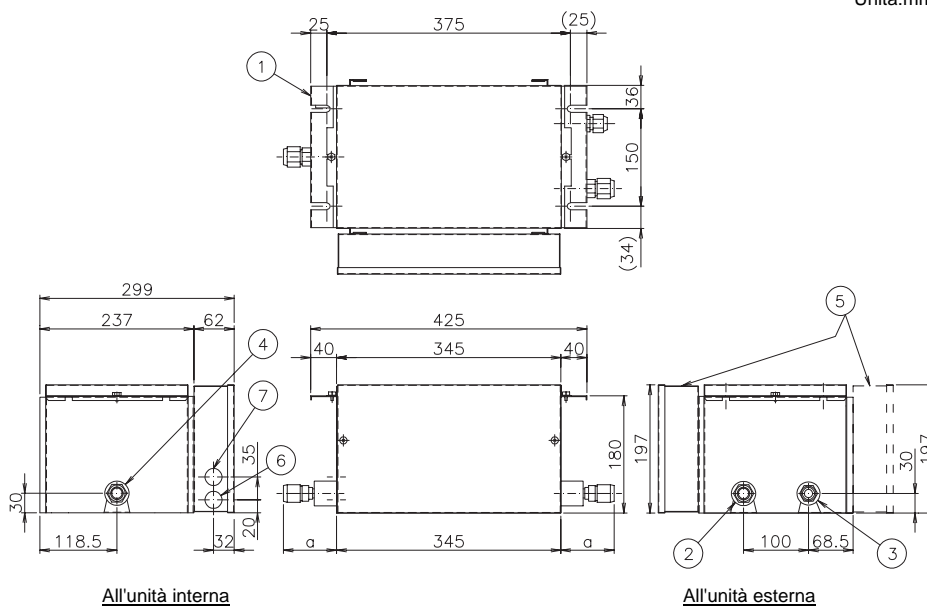
Non installare l'unità CHA ed il cavo a meno di circa 3 metri da forti irradiazioni di onde elettromagnetiche come equipaggiamenti medici.

2. STRUTTURA

2.1. DIMENSIONI

2.1.1. Modello: Unità CH-(4.0/8.0)NE

Unita:mm



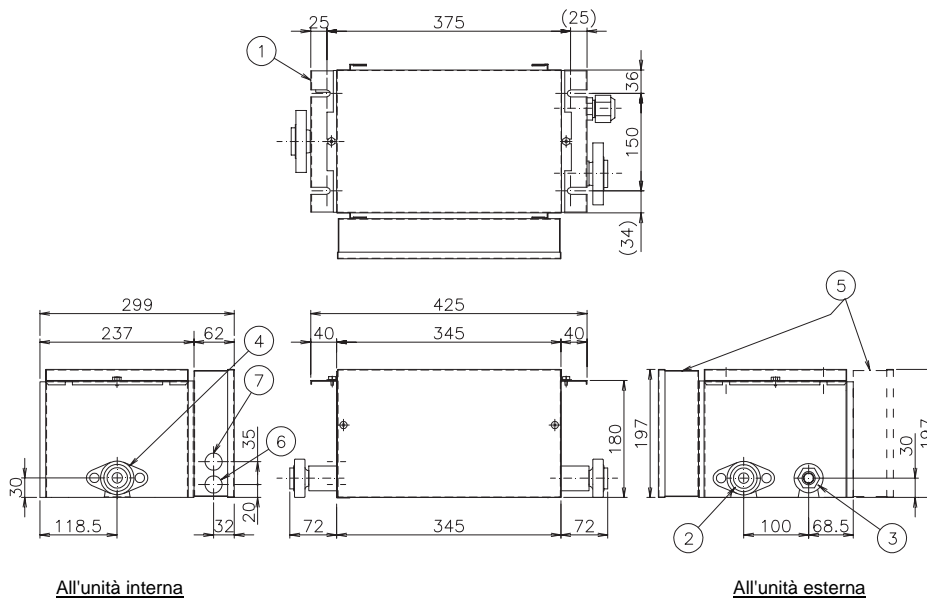
All'unità interna

All'unità esterna

N°	Nome	Osservazioni	
		CH-4.0NE	CH-8.0NE
1	Supporto	Per bullone M8 o W5/16	
2	Connessione del circuito del gas refrigerante (bassa)	Ø15.88 Raccordo svasato	Ø19.05 Raccordo svasato
3	Connessione del circuito del gas refrigerante (alta)	Ø12.7 Raccordo svasato	Ø15.88 Raccordo svasato
4	Connessione del circuito del gas refrigerante	Ø15.88 Raccordo svasato	Ø19.05 Raccordo svasato
5	Quadro elettrico di comando	(Collegamento disponibile su entrambi i lati)	
6	Foro per Linea di funzionamento	Ø26.5	
7	Foro per Linea di alimentazione	Ø26.5	
Dimensioni		a	
		78mm	82mm

2.1.2. Modello: Unità CH-12.0N

Unita:mm



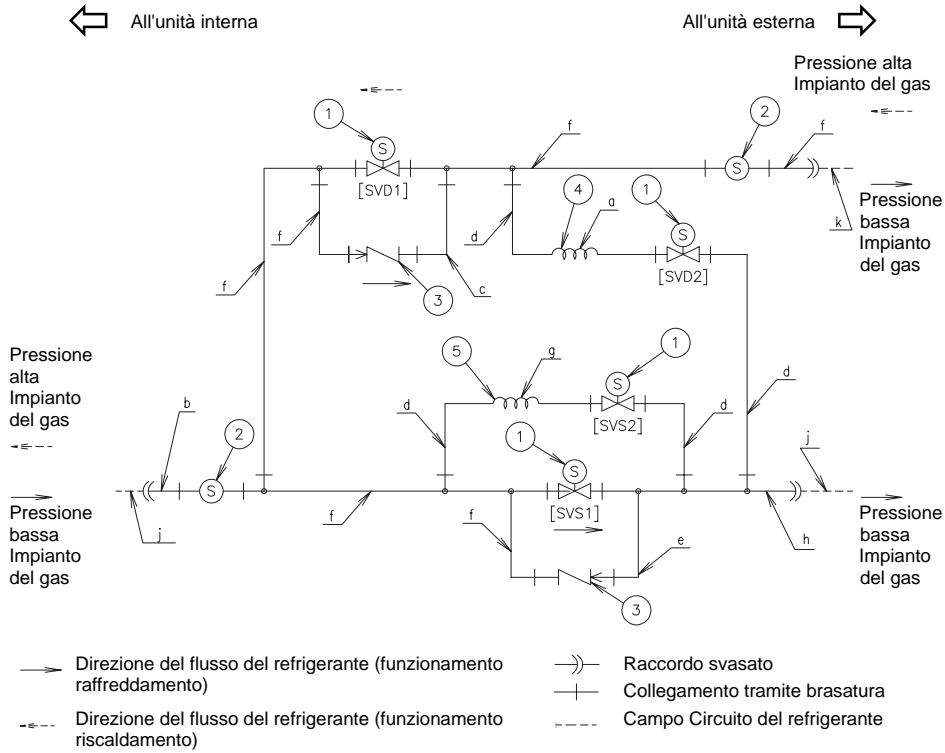
All'unità interna

All'unità esterna

N°	Nome	Osservazioni
		CH-12.0N
1	Supporto	Per bullone M8 o W5/16
2	Connessione del circuito del gas refrigerante (bassa)	Ø22.2 Raccordo Flangia
3	Connessione del circuito del gas refrigerante (alta)	Ø19.05 Raccordo svasato
4	Connessione del circuito del gas refrigerante	Ø22.2 Raccordo Flangia
5	Quadro elettrico di comando	(Collegamento disponibile su entrambi i lati)
6	Foro per Linea di funzionamento	Ø26.5
7	Foro per Linea di alimentazione	Ø26.5

2.2. CICLO FRIGORIFICO

2.2.1. Unità CH-(4.0/8.0)NE



ITALIANO

N°	Nome
1	Valvola solenoide (AC)
2	Filtro
3	Valvola di regolazione
4	Tubo capillare
5	Tubo capillare

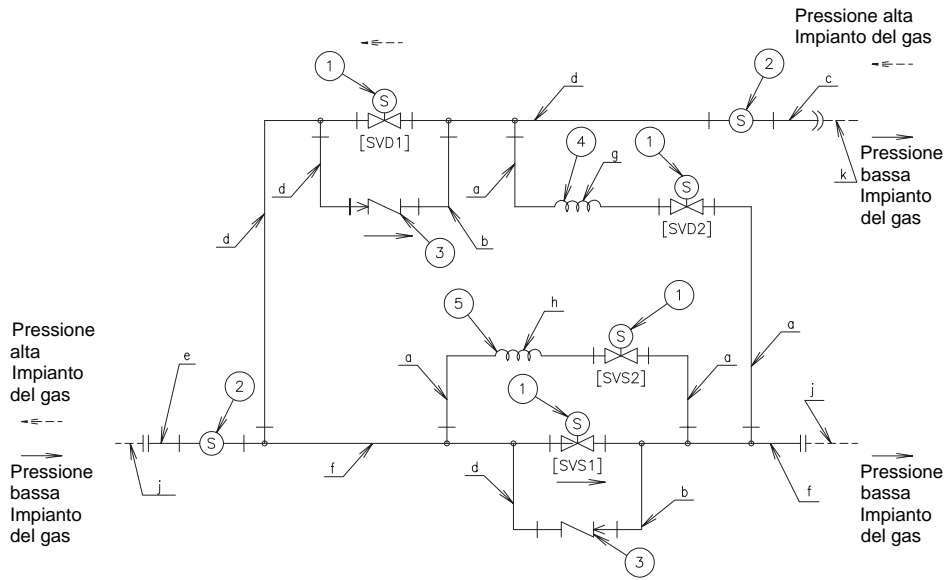
Marca	Misura del materiale Size O.D.(mm) x spessore (mm)		Material
	CH-4.0NE	CH-8.0NE	
a	Ø2.5x0.7		Tubo di bronzo C1220T-O
b	Ø12.7x1.0	Ø15.88x1.0	
c	Ø9.53x0.8	Ø12.7x1.0	
d	Ø6.35x1.07		
e	Ø9.53x0.8		
f	Ø12.7x1.0		
g	Ø4.0x0.8	Ø4.0x0.5	
h	Ø12.7x1.0	Ø15.88x1.2	
j	Ø15.88	Ø19.05	
k	Ø12.7	Ø15.88	

NOTA:
La marca dell'interno "[]" è mostrata nel diagramma dell'impianto elettrico.

2.2.2. CH Unit CH-12.0N

← All'unità interna

All'unità esterna →



- Direzione del flusso del refrigerante (funzionamento raffreddamento)
- - - Direzione del flusso del refrigerante (funzionamento riscaldamento)
- ↪ Raccordo svasato
- ≡ Flangia Raccordo
- ⊕ Brasatura Raccordo
- Campo Circuito del refrigerante

N°	Nome
1	Solenoid Valve (AC)
2	Strainer
3	Check Valve
4	Capillary Tube
5	Capillary Tube

Marca	Material Size O.D.(mm) x thickness (mm)	Material
a	∅6.35 x 1.07	Tubo di bronzo C1220T-O
b	∅12.7 x 1.0	
c	∅15.88 x 1.0	
d	∅15.88 x 1.2	
e	∅19.05 x 1.2	
f	∅19.05 x 1.65	
g	∅3.0 x 0.8	
h	∅4.0 x 0.5	
j	∅22.2	
k	∅19.05	

NOTA:

La marca dell'interno "[]" è mostrata nel diagramma dell'impianto elettrico.

2.3. ELENCO DEGLI STRUMENTI E ATTREZZI NECESSARI PER L'INSTALLAZIONE

No.	Strumento	No.	Strumento
1	Sega a mano	11	Chiave inglese
2	Cacciavite Phillips	12	Bombola di ricarica
3	Pompa per vuoto	13	Collettore del manometro
4	Tubo del gas refrigerante	14	Cutter per i cavi
5	Megohmmeter	15	Rilevatore di perdite di gas
6	Piegatrice per tubi di rame	16	Profilatore
7	Pompa dell'acqua manuale	17	Morsa per terminali senza saldatura
8	Taglia-tubi	18	Paranco (per l'unità interna)
9	Kit per la brasatura	19	Amperometro
10	Chiave esagonale	20	Voltmetro

3. TRASPORTO E MANIPOLAZIONE

ITALIANO

Trasportare il prodotto vicino al luogo di installazione prima di togliere l'imballaggio



ALLARME:

Non inserire nessun materiale estraneo nell'unità CH ed assicurarsi che non ci sia nulla nell'unità esterna prima dell'installazione e prima di effettuare il test. Altrimenti potrebbero svilupparsi fiamme o un errore.



PRUDENZA:

Non porre nessun materiale sul prodotto. Fare attenzione a non danneggiare i materiali di isolamento della superficie dell'unità mentre viene sollevata.

3.1. ASSOCIAZIONE DI UNITÀ CH ED UNITÀ INTERNA

L'unità CH è installata all'interno per il sistema SET-FREE FXN(E), tra l'unità esterna e l'unità interna. L'associazione dell'unità CH e dell'unità esterna è la seguente.

Modello	Quantità di unità interne	Capacità interna totale (HP)
CH-4.0NE	1 to 5	Meno di 4.0 (escludendo 4.0)
CH-8.0NE	1 to 8	4.0~8.0 (includendo 4.0 ed escludendo 8.0)
CH-12.0N	1 to 5	8.0~12.0 (includendo 8.0 ed includendo 12.0)

4. INSTALLAZIONE DELL'UNITÀ CH**PERICOLO:**

Non installare l'unità interna in un ambiente infiammabile per evitare lo sviluppo di fuochi o un'esplosione.

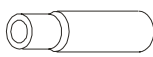
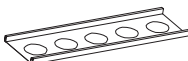
**ALLARME:**

Assicurarsi che la piastra superiore sia sufficientemente solida.
Non installare le unità CH all'esterno. Se vengono installate all'esterno, potrebbe verificarsi una dispersione elettrica.

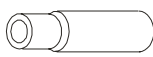
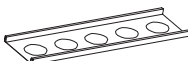
4.1. ACCESSORI FORNITI DALLA FABBRICA

Verificare che i seguenti accessori siano forniti con l'unità CH.

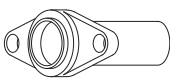

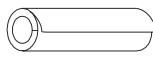
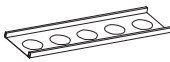

■ **Accessori forniti dalla fabbrica (Per CH-4.0NE).**

Accessorio		Quantità	Uso
Riduttore (Ø15.88 to Ø12.7)		1	Per connettere Øle tubature del liquido 12,7 all'unità interna
Fascia di fissaggio della linea		2	Per fissare la linea del liquido

■ **Accessori forniti dalla fabbrica - (Per CH-8.0NE).**

Accessorio		Quantità	Uso
Riduttore (Ø19.05 to Ø15.88)		1	Per connettere Øle tubature del liquido 15,88 all'unità interna
Fascia di fissaggio della linea		2	Per fissare la linea del liquido

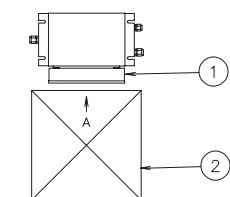
■ **Accessori forniti dalla fabbrica - (Per CH-12.0N).**

Accessorio		Quantità	Uso
Misura della flangia della tubatura (Ø22.2)		2	Per la tubatura del gas (alta) dall'unità esterna
Imballaggio della flangia		2	Sigillatura della flangia
Isolamento (Ø38 ID)		1	For Refrigerant Piping Connection
Fascia di fissaggio della linea		2	Per fissare la linea del liquido
Fascetta		8	Per fissare l'isolamento del circuito del refrigerante

4.2. VERIFICA INIZIALE

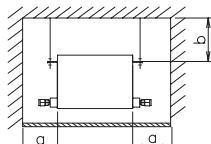
4.2.1. Installare l'unità CH con uno spazio libero adeguato intorno ad essa per i lavori di manutenzione, come mostrato nella figura sottostante:

Pannello di Accesso



N°	Nome
①	Quadro elettrico di comando
②	Pannello di Accesso

Vista da A



Marca	Dimensioni (Min.)	
Unità	CH-4-0/8.0	CH-12.0
a	250mm	350mm
b	100mm	

4.2.2. Il rumore del refrigerante può essere percepito dall'unità CH quando è attivata la valvola del solenoide nell'unità CH. Quindi, seguire i passi qui specificati per minimizzare il rumore.

Installare l'unità CH all'interno del tetto. Come materiale per il tetto, scegliere, per esempio, una lastra di gesso che minimizza il rumore del funzionamento.

Non installare l'unità CH vicino ad una camera da letto o ad una camera di ospedale.

Non installare l'unità CH in un luogo umido come una cucina per evitare che si verifichino condense sulla superficie esterna dell'unità CH.

4.2.3. Prestare attenzione ai seguenti punti nel caso in cui l'unità CH sia venga installata in un ospedale o in un altro luogo con presenza di attrezzature mediche che irradiano onde elettromagnetiche.

Non installare l'unità CH in un luogo dove le onde elettromagnetiche vengono irradiate direttamente sul quadro elettrico o sui cavi elettrici intermedi (linea di funzionamento).

Installare l'unità CH ed i componenti il più lontano possibile o come minimo a 3 metri da irradiazioni di onde elettromagnetiche.

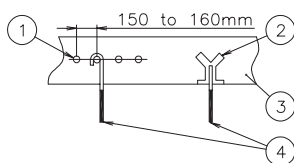
Installare un filtro per le interferenze se l'impianto elettrico emette rumori nocivi.

4.3. BULLONI DI SUPPORTO

Selezionare la posizione finale e la direzione dell'installazione dell'unità interna prestando particolare attenzione allo spazio per le tubature, i cavi e per la manutenzione.

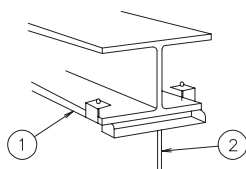
Montare i bulloni di supporto come mostrato qui sotto.

- Per piastra di cemento:



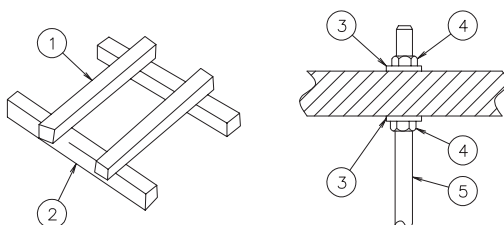
N°	Nome
①	Acciaio
②	Inserto (da 100 a 150 kg)
③	Cemento
④	Bullone di ancoraggio (W3/8 or M10)

- Per trave di acciaio:



N°	Nome
①	I Beam
②	Suspension Bolt (W3/8 or M10)

- Per sospensione a trave di legno



N°	Nome
①	Barra di legno (60-90mm quadrati)
②	Trave di legno
③	Rondelle quadrate
④	Dadi
⑤	Bullone di sospensione (W3/8 o M10)

4.4. INSTALLAZIONE**4.4.1. Contrassegnare la posizione dei bulloni di supporto e delle connessioni del circuito**

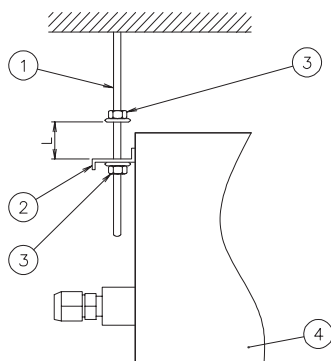
Contrassegnare la posizione dei bulloni di supporto, delle connessioni del circuito e delle connessioni di drenaggio.

Vedere le dimensioni di installazione nel capitolo 2.1.

4.4.2. Montaggio dell'unità CH

■ Come inserire i dadi

Inserire i dadi in ognuno dei quattro bulloni di supporto prima di sospendere l'unità CH, come mostrato qui di seguito



N°	Nome
①	Bullone di ancoraggio
②	Supporto
③	Dado e rondella (Fornita)
④	CH-Box

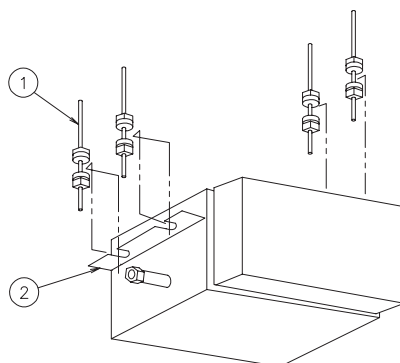
Marca	Dimension
L	30-50mm

Pezzi forniti dalla fabbrica	CH-(4.0/8.0/12.0)N(E)
Bulloni di supporto	4-M10 or W-3/8
Dado	8-M10 or W-3/8
Rondella	8-M10 or W-3/8

ITALIANO

■ Sospensione dell'unità CH

Agganciare supporti ai dadi ed alle rondelle di ogni bullone di supporto, come mostrato qui di seguito. Verificare che i dadi e le rondelle siano fissati correttamente con i supporti.



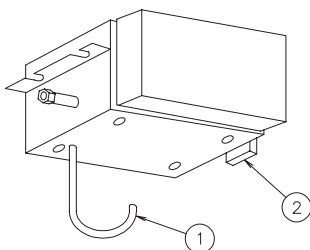
N°	Nome
①	Bulloni di supporto
②	Supporto

74 FUNZIONAMENTO DEL CIRCUITO REFRIGERANTE

4.4.3. Regolazione del livello dell'unità

■ Come inserire i dadi

Per evitare il funzionamento errato dell'unità, verificare il livello dell'unità con una livella a bolla in un tubo di vinile trasparente contenente acqua.



N°	Nome
①	Tubo di Vinile
②	Scala del livello

Serrare i bulloni dei dadi di sospensione ai supporti prima di completare la regolazione. I bulloni devono essere verniciati con pittura plastica speciale per evitare che si allentino.

5. FUNZIONAMENTO DEL CIRCUITO REFRIGERANTE



PERICOLO:

Utilizzare refrigerante R410A nel circuito refrigerante. Non caricare ossigeno, acetilene o altre sostanze infiammabili e gas velenosi nel circuito del refrigerante mentre si verifica il test per individuare perdite o un test per la tenuta. Questi tipi di gas sono estremamente pericolosi e possono causare un'esplosione. Per questo tipo di test si raccomanda di usare aria compressa, azoto o refrigerante.

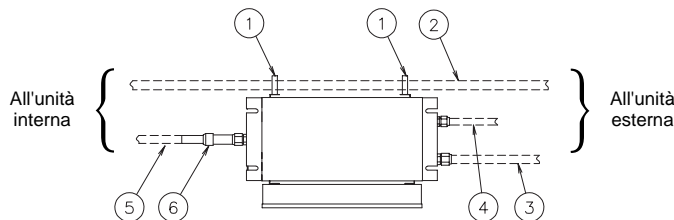
5.1. MATERIALI DEI TUBI

1. Preparare i tubi di rame forniti di fabbrica.
2. Selezionare tubi di rame puliti. Assicurarsi che non vi siano sporcizie o polvere all'interno. Prima di connettere i tubi, soffiare l'interno delle tubature con azoto o aria secca, per rimuovere qualsiasi sporcizia o corpo estraneo.
3. Selezionare la misura dei tubi seguendo lo schema

5.2. CONNESSIONE DEL CIRCUITO

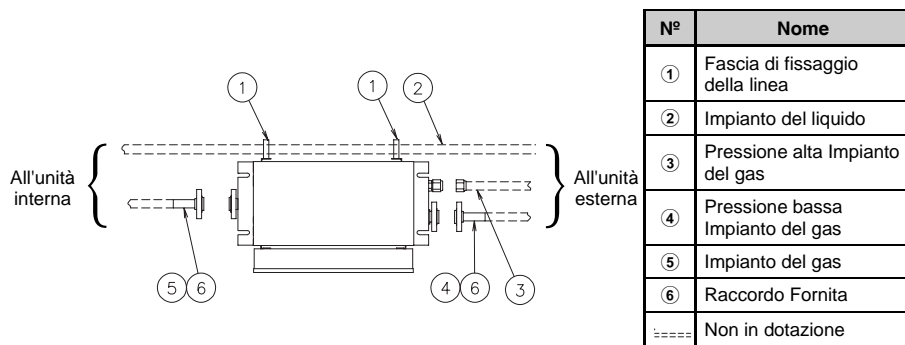
1. La posizione delle connessioni della tubatura è mostrata nello schema.
2. Collegare gli accessori come illustrato nel seguente diagramma.

■ CH-(4.0/8.0)NE

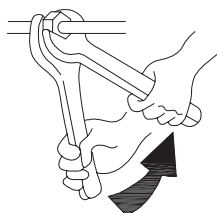


N°	Nome
①	Fascia di fissaggio della linea
②	Impianto del liquido
③	Pressione bassa Impianto del gas
④	Pressione alta Impianto del gas
⑤	Impianto del gas
⑥	Riduttore
=====	Non in dotazione

■ CH-12.0N



3. Quando si serra il dado svasato, usare due chiavi inglesi come mostrato nella figura sottostante.

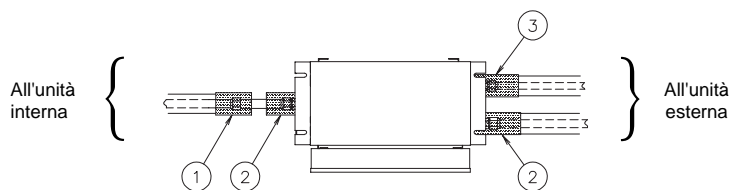


Misura dei tubi		Forza di avvitamento (N-m)
∅6.35	(1/4)	2
∅9.53	(3/8)	4
∅12.7	(1/2)	6
∅15.88	(5/8)	8
∅19.05	(3/4)	10

4. Dopo aver collegato il circuito del refrigerante, sigillare il circuito stesso usando i materiali di isolamento forniti dal installatore, come mostrato nella figura sottostante.
 Usare i tubi forniti dal produttore con una flangia per connettere il circuito del gas della bassa pressione. La guarnizione dell'entrata del circuito del gas dell'unità dovrebbe essere sostituita con una fornita con l'unità.
 (L'isolante termico sulla connessione della flangia dovrebbe essere fornito dalla fabbrica).

NOTA:

La flangia fornita dalla fabbrica dovrebbe essere saldata al tubo di connessione prima di connetterla alla valvola. Montare la guarnizione dopo la brasatura del tubo. Prestare particolare attenzione durante la connessione della flangia affinché la guarnizione sia collocata correttamente.



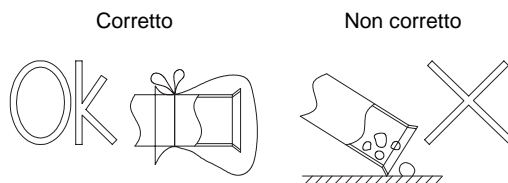
N°	Nome	Osservazioni
①	Isolamento	- Non in dotazione – CH-4.0NE unit
②	Isolamento	- Non in dotazione – CH-(4.0/8.0/12.0)NE units
③	Isolamento	- Non in dotazione – CH-(4.0/8.0)NE - Accessori forniti dalla fabbrica CH-12.0N

**PRUDENZA:**

Rivestire la parte terminale del tubo quando il tubo sta per essere inserito in un foro.

Non inserire i tubi a terra direttamente senza un rivestimento o la pellicola vinilica alla loro estremità.

Eliminare tutti i materiali infiammabili eventualmente presenti intorno alle unità. In caso contrario potrebbe svilupparsi un incendio.



5. Le procedure di ricarica ed evacuazione del circuito refrigerante devono essere effettuate seguendo il "Manuale di installazione e funzionamento" dell'unità esterna.

6. IMPIANTO ELETTRICO

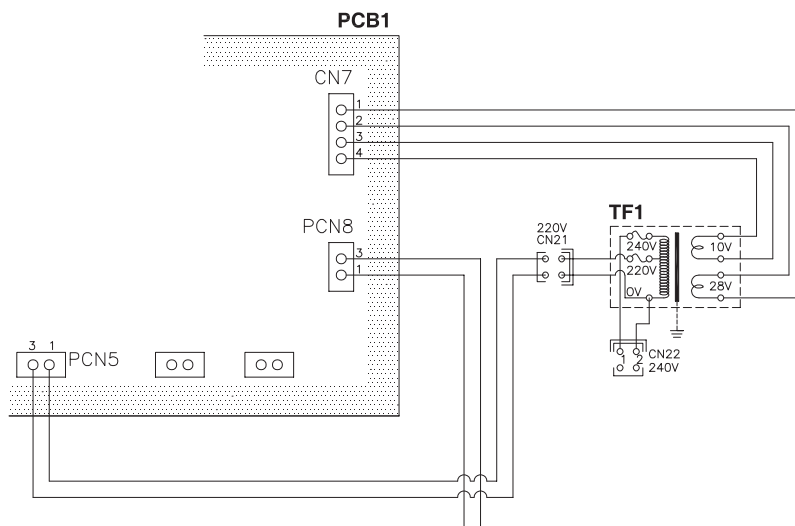
**ALLARME:**

Spegnere l'interruttore di alimentazione principale dell'unità CH, l'unità interna e l'unità esterna prima di avviare l'impianto elettrico o prima di effettuare una verifica periodica.

Proteggere i cavi, le parti elettriche, ecc. da topi o altri animali nocivi.

Verificare la voce sottostante prima di accendere l'interruttore principale.

Se la sorgente di alimentazione dell'unità interna è di 240V (tensione nominale), cambiare il CN21 (connettore) al CN22 del trasformatore (TF1) nel quadro elettrico di comando come mostrato qui di seguito





PRUDENZA:

Avvolgere la guarnizione accessoria intorno ai cavi ed inserire nel foro per cavi con il materiale sigillante per proteggere il prodotto da qualsiasi condensazione di acqua o da insetti.

Serrare bene i cavi con l'apposito morsetto nel quadro elettrico.

6.1. CONNESSIONE DELL'IMPIANTO ELETTRICO

Assicurarsi che i componenti elettrici scelti (interruttori principali, interruttori di circuito, cavi elettrici, connettori del condotto e terminali elettrici) siano stati adeguatamente selezionati in conformità con i dati elettrici indicati nel Catalogo Tecnico. Assicurarsi che i componenti osservino il National Electrical Code (NEC)

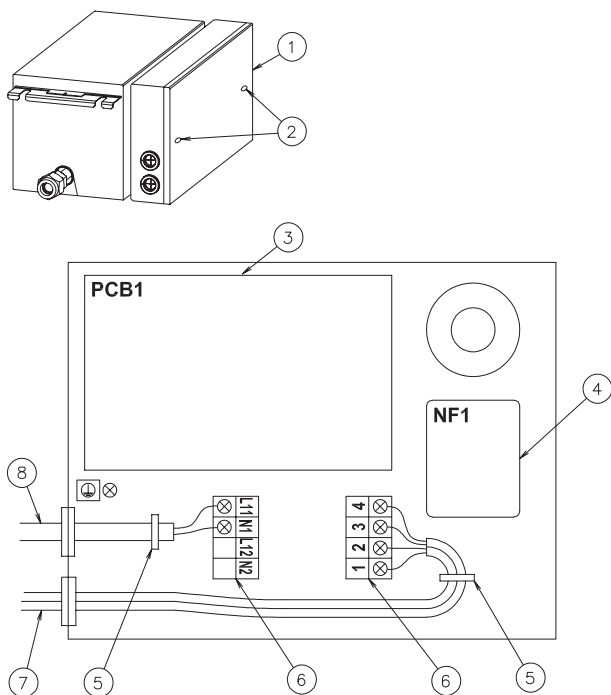
Verificare che la tensione dell'alimentazione stia entro il $\pm 10\%$ della tensione stimata.

Verificare che la capacità dell'alimentazione non sia troppo bassa, altrimenti il sistema non può essere avviato per un abbassamento di corrente.

Assicurarsi che l'impianto di terra sia adeguatamente connesso.

6.2. CONNESSIONE DELL'IMPIANTO ELETTRICO

La connessione dell'impianto elettrico è mostrata nella figura sottostante



N°	Nome
①	Quadro elettrico di comando
②	Vite di fissaggio
③	Scheda circuito stampato
④	Filtro antidisturbi
⑤	Morsetto
⑥	Scheda del terminale
⑦	Linea di funzionamento
⑧	Alimentazione elettrica

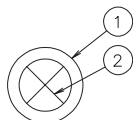
ITALIANO

NOTA:

Nella scheda del terminale 2, i connettori 1 e 2 sono quelli del sistema di collegamento H ed i connettori 3 e 4 vanno all'unità interna dal quadro CH.

1. Spegner l'interruttore dell'alimentazione principale e togliere il coperchio del quadro elettrico dell'unità CH.
2. Tagliare il centro della gomma isolante del foro per la connessione dei cavi, come mostrato qui sotto
3. Connettere i cavi di alimentazione e di terra ai terminali del quadro elettrico.

4. Connettere i cavi di funzionamento ai terminali del quadro elettrico.
5. Serrare i cavi con l'apposito morsetto nel quadro elettrico.
6. Mettere a posto il coperchio del quadro elettrico dopo aver effettuato i collegamenti dei cavi.

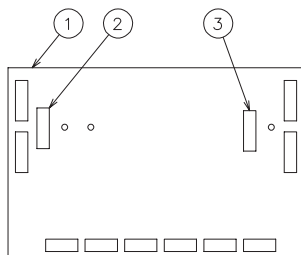


N°	Nome
①	Protezione di gomma
②	Taglio interno

6.3. IMPOSTAZIONE DEI COMMUTATORI TIPO DIP SWITCH

■ Posizione dei Dip Switches

Il PCB1 nel quadro elettrico dell'unità CH è fornito di 2 tipi di interruttori tipo dip switch (DSW2, DSW5), come mostrato nella figura sottostante.



N°	Nome
①	PCB1
②	DSW5
③	DSW2

■ Impostazione dei Dip Switch

Gli interruttori tipo dip switch sono impostati prima della spedizione e non è richiesta nessuna impostazione in sito. Vengono utilizzati per l'autodiagnosi del PCB.

Posizione Impostata di fabbrica (Commutatore tipo Dip Switch)

- DSW5



- DSW2



NOTA:

Il segno "■" indica la posizione degli interruttori tipo dip switch. La figura precedente mostra l'impostazione prima della spedizione.



PRUDENZA:

Prima di impostare gli interruttori tipo dip switch è importante spegnere l'alimentazione ed impostare la posizione degli interruttori dip. Se gli interruttori vengono impostati senza spegnere l'alimentazione, l'interruttore potrebbe non funzionare.

7. USO DEL TEST

Il test deve essere effettuato seguendo il "Manuale di installazione e funzionamento" dell'unità esterna.



ALLARME:

Non avviare il sistema prima che tutti i punti siano stati controllati.

- Assicurarsi che la resistenza elettrica sia maggiore di 1 M Ω , misurando la resistenza tra la terra e il terminale delle parti elettriche. Altrimenti, non avviare il sistema fino a quando la perdita elettrica non venga trovata e riparata.

- Assicurarsi che le valvole di arresto dell'unità esterna siano completamente aperte, quindi avviare il sistema.

- Assicurarsi che l'interruttore dell'alimentazione principale sia stato posizionato su ON per più di 12 ore, per riscaldare l'olio del compressore con il riscaldatore dell'olio.

Prestare attenzione a quanto descritto qui di seguito mentre il sistema è in funzionamento.

- Non toccare nessuna delle parti con le mani dalla parte del gas di scarico, perché la camera di compressione e la tubatura del lato di scarico raggiungono una temperatura superiore ai 90°C.

- NON PREMERE IL PULSANTE DEL/I INTERRUTTORE/I MAGNETICO/I. Potrebbero essere provocati incidenti seri.

1. RESUMO DE SEGURANÇA



ADVERTÊNCIA:

- Não executar trabalhos de instalação, de tubagens de refrigeração nem de ligações eléctricas sem consultar o nosso manual de instalação.
- Verificar que o fio de terra está devidamente apertado.
- Instalar um fusível da potência especificada.



PRECAUÇÃO:

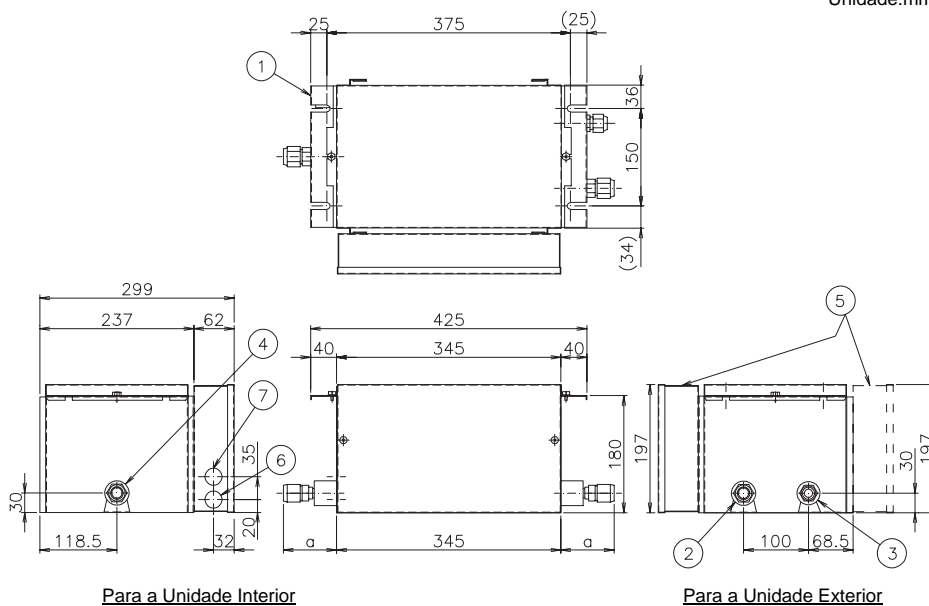
- Não instalar a unidade CH e os cabos num raio de aproximadamente 3 metros de aparelhos emissores de ondas electromagnéticas fortes, tais como equipamento médico.

2. ESTRUTURA

2.1. DIMENSÕES

2.1.1. Modelo: Unidade CH(4.0/8.0)NE

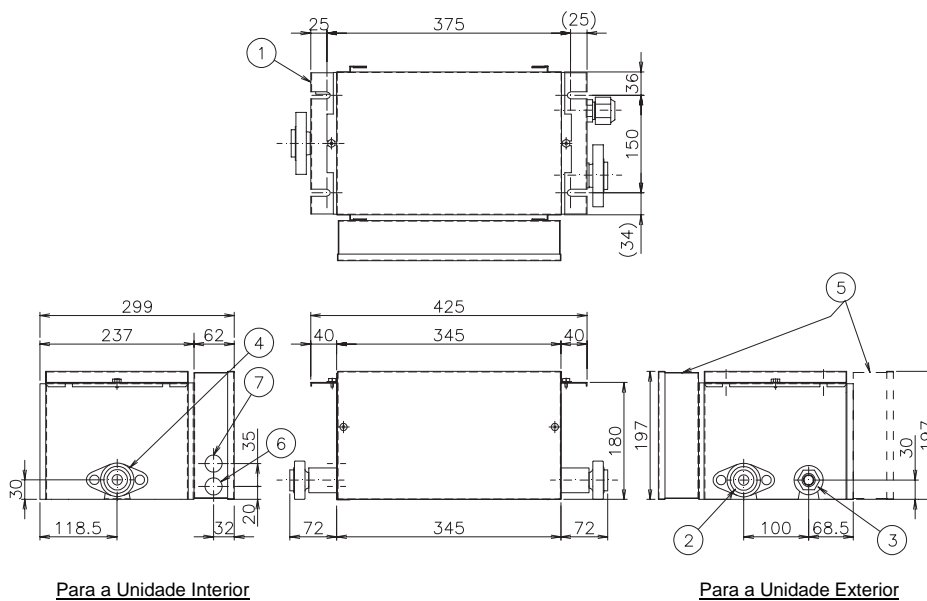
Unidade:mm



Nº	Nome do Componente	Observações	
		CH-4.0NE	CH-8.0NE
1	Gancho de suspensão	For M8 or W5/16 Bolt	
2	Ligação tubagem Gás Refrigeração (Baixa)	Ø15.88 Junta de dilatação Ø	Ø19.05 Junta de dilatação Ø
3	Ligação tubagem Gás Refrigeração (Alta)	Ø12.7 Junta de dilatação Ø	Ø15.88 Junta de dilatação Ø
4	Ligação da tubagem Gás Refrigeração	Ø15.88 Junta de dilatação Ø	Ø19.05 Junta de dilatação Ø
5	Caixa Eléctrica de Controlo	(Fixação disponível em ambos lados)	
6	Orifício para a linha de funcionamento	Ø26.5	
7	Orifício para a linha de alimentação	Ø26.5	
Dimensão	a	78mm	82mm

2.1.2. Modelo: Unidade CH-12.0N

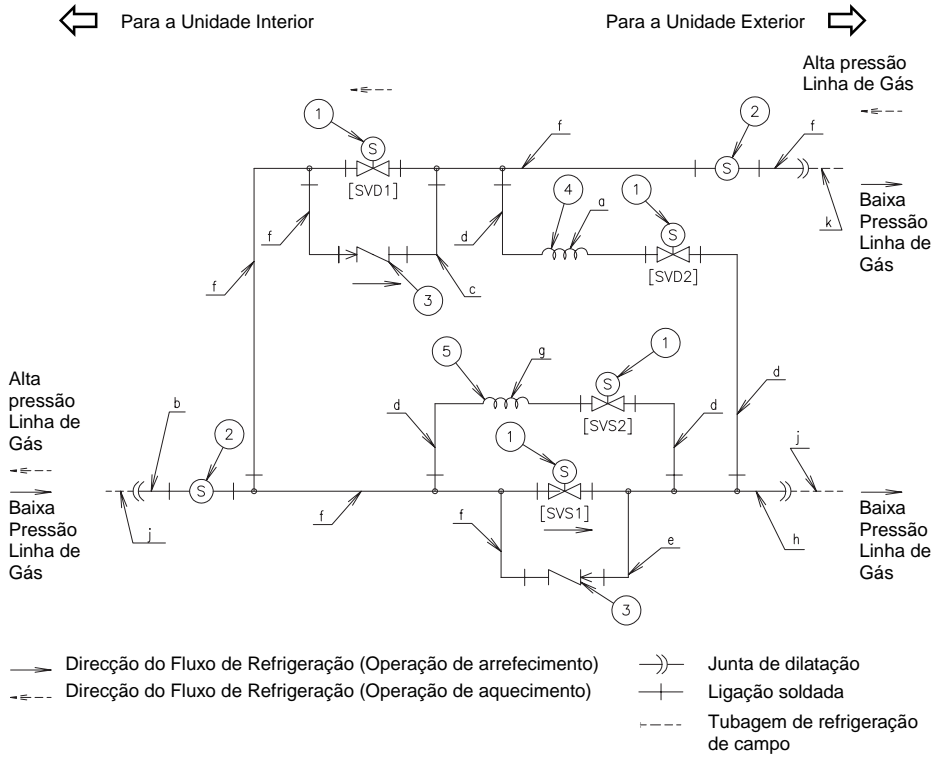
Unidade:mm



Nº	Nome do Componente	Observações
		CH-12.0N
1	Gancho de suspensão	Cavilha para M8 ou W5/16
2	Ligação da tubagem de Gás de Refrigeração (Baixa)	Ø22.2 Junta de dilatação Flange
3	Ligação da tubagem de Gás de Refrigeração (Alta)	Ø19.05 Junta de dilatação
4	Ligação da tubagem de Gás de Refrigeração	Ø22.2 Junta de dilatação Flange
5	Caixa Eléctrica de Controlo	(Fixação disponível em ambos lados)
6	Orifício para a linha de funcionamento	Ø26.5
7	Orifício para a linha de alimentação	Ø26.5

2.2. CICLO DE REFRIGERAÇÃO

2.2.1. Unidade CH (CH-4.0/8.0NE)



PORTUGÊS

Nº	Nome do Componente
1	Válvula de solenóide (AC)
2	Filtro
3	Válvula de verificação
4	Tubo capilar
5	Tubo capilar

Marca	Calibre do material Dim. O.D.(mm) x espessura (mm)		Material
	CH-4.0NE	CH-8.0NE	
a	Ø2.5x0.7		Tubo de cobre C1220T-O
b	Ø12.7x1.0	Ø15.88x1.0	
c	Ø9.53x0.8	Ø12.7x1.0	
d	Ø6.35x1.07		
e	Ø9.53x0.8		
f	Ø12.7x1.0		
g	Ø4.0x0.8	Ø4.0x0.5	
h	Ø12.7x1.0	Ø15.88x1.2	
j	Ø15.88	Ø19.05	
k	Ø12.7	Ø15.88	

NOTA:

A marca de interior "[]" é mostrada no diagrama de ligação eléctrica.

2.3. LISTA DE UTENSÍLIOS E FERRAMENTAS NECESSÁRIOS PARA A INSTALAÇÃO

No.	Utensílio	No.	Utensílio
1	Serra manual	11	Chave de porcas
2	Chave de parafusos Phillips	12	Botija de carga
3	Bomba de vácuo	13	Manómetro
4	Mangueira de gás de refrigeração	14	Cortador de fios
5	Mega ohmímetro	15	Detector de fugas de gás
6	Aparelho de curvar tubos de cobre	16	Nível
7	Bomba de água manual	17	Fecho para terminais sem solda
8	Cortador de tubos	18	Hoist (para a unidade interior)
9	Kit de soldadura	19	Amperímetro
10	Chave hexagonal	20	Voltímetro

3. TRANSPORTE E MANUSEAMENTO

Transportar o aparelho embalado para o mais próximo possível do local de instalação

**ADVERTÊNCIA:**

Não colocar qualquer material estranho na unidade CH e verificar que não existe nada na unidade exterior antes de proceder à instalação e ao teste de funcionamento. De contrário, poderá ocorrer um incêndio ou uma avaria.

**PRECAUÇÃO:**

*Não colocar qualquer material no aparelho.
Ao elevar a unidade, ter o cuidado de não danificar o isolamento ou a superfície.*

3.1. COMBINATION CH UNIT AND INDOOR UNIT

A unidade CH é instalada no interior para o sistema SET-FREE FXN(E), entre as unidades exterior e interior. A combinação da unidade CH e a unidade interior é a seguinte.

Modelo	Quantidade unidades interiores	Potência interior total (HP)
CH-4.0NE	1 a 5	Inferior a 4.0 (excluindo 4.0)
CH-8.0NE	1 a 8	4.0~8.0 (incluindo 4.0 e excluindo 8.0)
CH-12.0N	1 a 5	8.0~12.0 (incluindo 8.0 e excluindo 12.0)

4. INSTALAÇÃO DA UNIDADE CH

**PERIGO:**

Não instalar a unidade interior em local com matérias inflamáveis para evitar incêndio ou explosão.

**ADVERTÊNCIA:**

Verificar que a trave do tecto é suficientemente forte.

Não instalar a unidade CH no exterior. Se instalada no exterior, poderá ocorrer uma fuga de corrente eléctrica.

4.1. ACESSÓRIOS FORNECIDOS DE FÁBRICA

Conferir que os seguintes acessórios estão incluídos na embalagem com a unidade CH.

■ Acessórios fornecidos de fábrica - Para CH-4.0NE.

Acessório	Quant.	Propósito
Redutor (Ø15.88 to Ø12.7)	1	Para ligar Ø12,7 a tubagem de líquido da unidade interior
Abraçadeira de fixação da tubagem	2	Para fixar a tubagem de líquido

■ Acessórios fornecidos de fábrica - Para CH-8.0NE.

Acessório	Quant.	Propósito
Redutor (Ø19.05 to Ø15.88)	1	Para ligar Ø15,88 a tubagem de líquido da unidade interior
Abraçadeira de fixação da tubagem	2	Para fixar a tubagem de líquido

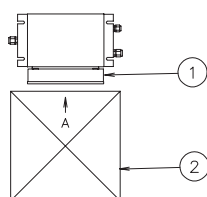
■ Acessórios fornecidos de fábrica - Para CH-12.0N.

Acessório	Quant.	Propósito
Calibre das uniões de tubagem (Ø22.2)	2	Para tubagem de gás (Alta) da Unidade exterior
Isolamento de união	2	Vedante de uniões
Isolamento (Ø38 ID)	1	Ligação da tubagem de refrigeração
Abraçadeira de fixação da tubagem	2	Para fixar a tubagem de líquido
Abraçadeira de fivela	8	Para fixar o isolamento da tubagem de refrigeração

4.2. INSPECÇÃO INICIAL

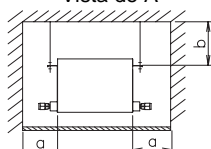
4.2.1. Instalar a unidade CH com espaço suficiente à volta para permitir os trabalhos de manutenção, como ilustrado na figura abaixo:

Panel de acesso



Nº	Nome do Componente
①	Caixa Eléctrica de Controlo
②	Panel de acesso

Vista de A



Marca	Dimensões (Min.)	
Modelo	CH-4-0/8.0	CH-12.0
a	250mm	350mm
b	100mm	

4.2.2. Pode ser ouvido um ruído de refluxo do refrigerante da unidade CH quando a válvula solenóide da mesma é activada. Por tal motivo, proceder à operação seguinte para minimizar o ruído.

- Instalar a unidade CH dentro do tecto. Seleccionar para o tecto um material, como placa de gesso, que minimiza o ruído de funcionamento.
- Não instalar a unidade CH perto de quartos de dormir ou de hospital.
- Não instalar a unidade CH em local húmido e quente (como uma cozinha) para evitar a formação de condensação na superfície exterior da unidade.

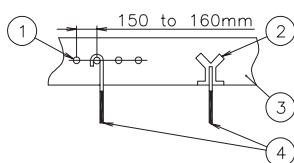
4.2.3. Ter em consideração os pontos seguintes quando a unidade CH for instalada num hospital ou noutras instalações onde haja ondas electrónicas provenientes de equipamento médico.

- Não instalar a unidade CH onde as ondas electromagnéticas estejam directamente dirigidas para a caixa eléctrica ou linhas de alimentação.
- Instalar a unidade CH e seus componentes tão afastados quanto possível, ou no mínimo, 3 metros de emissores de ondas electromagnéticas.
- Instalar um filtro de ruído onde a corrente de alimentação produza ruídos incómodos.

4.3. CAVILHAS DE SUSPENSÃO

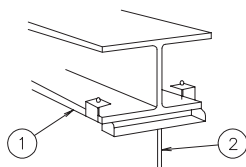
- Escolher a localização final e a direcção de instalação da unidade interior, tendo em consideração o espaço necessário para a tubagem, electrificação e manutenção.
- Montar as cavilhas de suspensão como ilustrado abaixo.

- Para laje de betão:



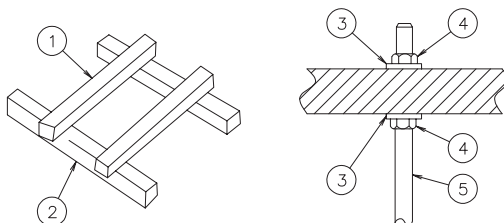
Nº	Nome do Componente
①	Aço
②	Introduzir (100 até 150 kg)
③	Betão
④	Gancho de fixação (W3/8 ou M10)

- Para viga de aço:



Nº	Nome do Componente
①	I-Viga
②	Cavilhas de suspensão (W3/8 ou M10)

- Para suspensão em trave de madeira:



Nº	Nome do Componente
①	Trave de madeira (60-90mm quadrados)
②	Trave de madeira
③	Anilhas quadradas
④	Porcas
⑤	Cavilha de elevação (W3/8 or M10)

4.4. INSTALAÇÃO

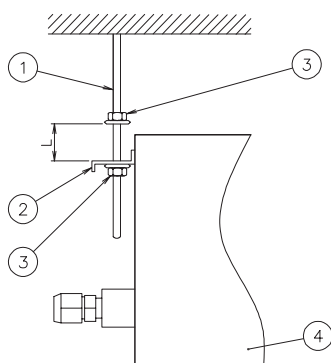
4.4.1. Marcação das posições das cavilhas de suspensão e ligações de tubagem

- Marcação das posições das cavilhas de suspensão, das ligações das tubagens de refrigerante e de escoamento.
- Consulte as dimensões de instalação no capítulo 2.1.

4.4.2. Montagem da unidade CH

■ **Como colocar as porcas**

Colocar as porcas em cada uma das quatro cavilhas de suspensão antes de suspender a unidade CH, como ilustrado abaixo



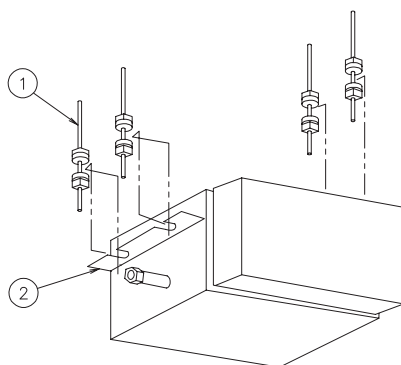
Nº	Nome do Componente
①	Cavilha de elevação
②	Gancho de suspensão
③	Porca e anilha (Fornecido localmente)
④	CH-Box

Marca	Dimensões
L	30~50mm

Fornecido localmente	CH-(4.0/8.0/12.0)NE
Cavilha de elevação	4-M10 or W-3/8
Porca	8-M10 or W-3/8
Anilha	8-M10 or W-3/8

■ **Suspensão da unidade CH**

Prender o dispositivo de elevação a cada porca e anilha das cavilhas de suspensão como ilustrado abaixo.
Verificar que as porcas e anilhas estão correctamente fixadas aos anéis de fixação do dispositivo de elevação.

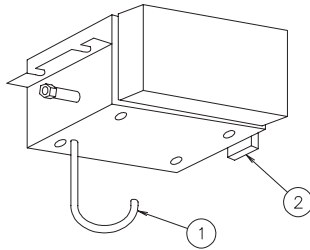


Nº	Nome do Componente
①	Cavilha de elevação
②	Cavilha de elevação

4.4.3. Ajuste do nivelamento da unidade

■ Como colocar as porcas

Para evitar um funcionamento incorrecto da unidade, verifique o nível da unidade utilizando um nível de água num tubo de vinil transparente com água.



Nº	Nome do Componente
①	Tubo de vinil
②	Régua de Nível

Apertar as cavilhas das porcas de suspensão depois de completar o ajustamento. Deve ser aplicada uma tinta especial nas cavilhas para evitar que se desapertem.

5. TRABALHOS DE TUBAGEM DE REFRIGERANTE



PERIGO:

Utilizar refrigerante R410A no ciclo de refrigeração. Não carregar o ciclo de refrigeração com oxigénio, acetileno ou quaisquer outros gases inflamáveis e tóxicos ao executar testes de fuga ou de estanqueidade. Este tipo de gases são extremamente perigosos e podem causar uma explosão. Neste tipo de testes deve ser usado ar comprimido, azoto ou líquido de refrigeração.

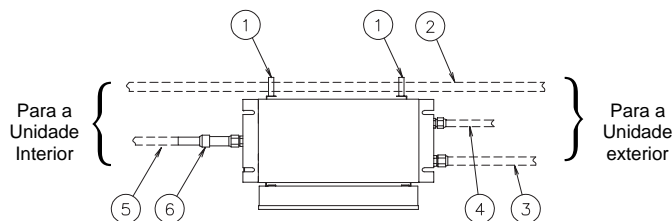
5.1. MATERIAIS DE TUBAGEM

1. Preparar localmente tubos de cobre.
2. Escolher tubos de cobre limpos. Certificar-se de que não há pó nem humidade dentro. Antes de ligar tubos, purgar o interior dos mesmos com ar seco ou nitrogénio para remover poeira ou matérias estranhas.
3. Seleccionar o calibre de tubagens nos desenhos dimensionais

5.2. LIGAÇÃO DE TUBAGEM

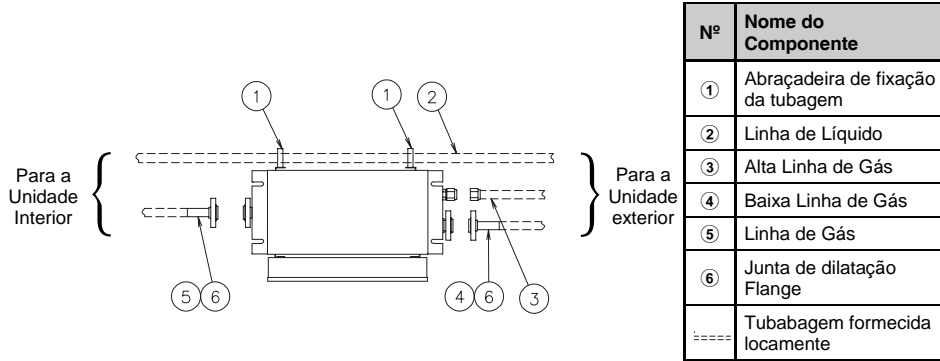
1. A posição das ligações de tubagem está ilustrada nos desenhos dimensionais.
2. Ligue os acessórios como é mostrado no Diagrama abaixo.

■ CH-(4.0/8.0)NE tubagem

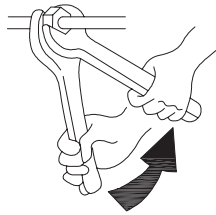


Nº	Nome do Componente
①	Abraçadeira de fixação da tubagem
②	Linha de Líquido
③	Baixa Linha de Gás
④	Alta Linha de Gás
⑤	Linha de Gás
⑥	Redutor
-----	Tabagem fornecida localmente

■ CH-12.0N tubagem



3. Para apertar a porca de dilatação, usar duas chaves de bocas como mostrado na figura abaixo

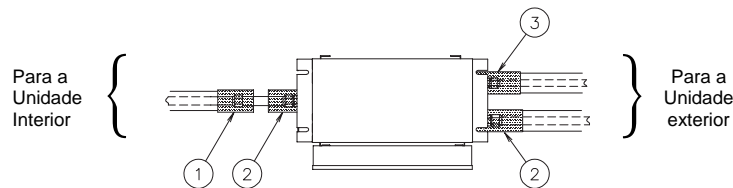


Calibre de tubagem		Força de aperto (N.m)
Ø6.35	(1/4)	2
Ø9.53	(3/8)	4
Ø12.7	(1/2)	6
Ø15.88	(5/8)	8
Ø19.05	(3/4)	10

4. Depois de ligar os tubos de refrigerante, vedar os mesmos utilizando os materiais de isolamento não fornecidos localmente como mostrado na figura seguinte.
 Utilizar o tubo fornecido de fábrica com uma união para ligar a tubagem de gás de baixa pressão. A junta da entrada de gás da unidade deverá ser substituída pela fornecida com a unidade. (O isolamento térmico das uniões deverá ser fornecido localmente).

NOTA:

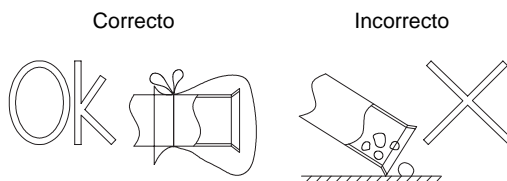
A união fornecida de fábrica deverá ser soldada ao tubo de ligação antes de ligar a válvula. Montar a junta antes de soldar o tubo. Ter especial cuidado com a ligação da união de maneira que a junta fique correctamente colocada.



No	Description	Remarks
①	Isolamento	- Fornecida localmente – CH-4.0NE
②	Isolamento	- Fornecida localmente – CH-(4.0/8.0/12.0)NE
③	Isolamento	- Fornecida localmente – CH-(4.0/8.0)NE - Acessórios fornecidos de fábrica CH-12.0N

**PRECAUÇÃO:**

- Tapar a extremidade do tubo ao introduzi-lo em qualquer orifício.
- Não colocar os tubos no chão sem as extremidades devidamente tapadas ou protegidas.
- Retirar todos os materiais inflamáveis à volta das unidades. Caso contrário, poderá ocorrer um incêndio.

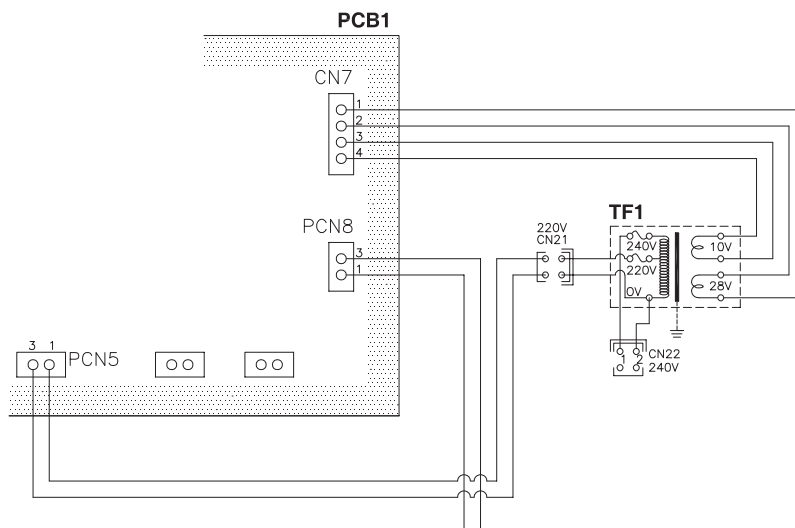


5. Os processos de purga e carregamento de refrigerante deverão ser executados de acordo com o "Manual de Instalação e Funcionamento" da unidade exterior.

6. ELECTRIFICAÇÃO

**ADVERTÊNCIA:**

- Desligar o interruptor principal da unidade CH, da unidade interior e da unidade exterior antes de proceder aos trabalhos de ligação eléctrica ou a qualquer inspeção periódica.
- Proteger os fios, peças eléctricas, etc. de ratos ou outras pragas.
- Verificar o item abaixo antes de ligar o interruptor principal.
No caso de a corrente de alimentação da unidade interior ser de 240V (tensão nominal), mudar CN21 (conector) para CN22 do transformador (TF1) da caixa de controlo eléctrico como ilustrado abaixo.

**PRECAUÇÃO:**

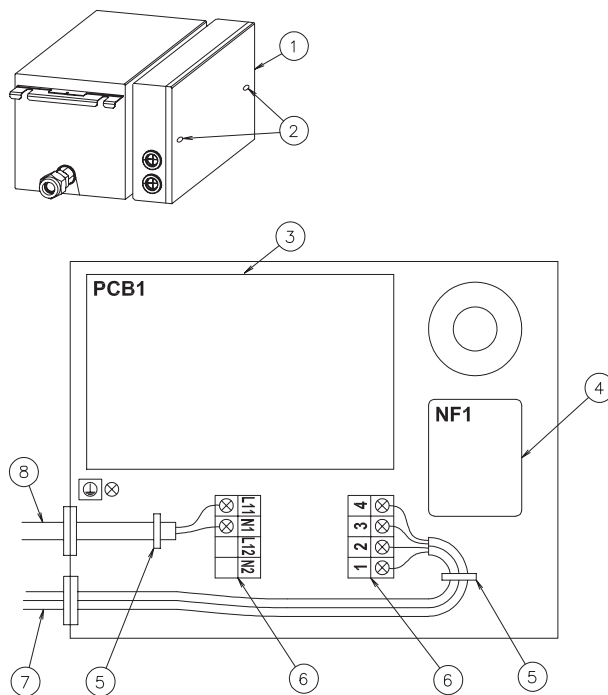
- Envolver os fios com o material de protecção e tapar o orifício de ligação com o material vedante para protecção contra condensação ou insectos.
Prender os fios firmemente com a abraçadeira no interior da caixa eléctrica.

6.1. INSPECÇÃO GERAL

- Certificar-se de que os componentes eléctricos fornecidos localmente (interruptores principais, disjuntores, fios, dispositivos de ligação e terminais) foram adequadamente escolhidos de acordo com os dados eléctricos indicados no Catálogo Técnico. Certificar-se de que os componentes respeitam os códigos eléctricos nacionais.
- Verificar que a tensão de alimentação está $\pm 10\%$ dentro da tensão nominal.
- Se a tensão de alimentação for demasiado baixa, o sistema não arrancará devido à queda de tensão.
- Verificar a ligação do fio de terra.

6.2. ELECTRIFICAÇÃO

As ligações eléctricas estão apresentadas na figura abaixo..



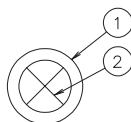
Nº	Nome do Componente
①	Caixa Eléctrica de Controlo
②	Parafuso de fixação
③	Painel de circuito impresso
④	Filtro de ruído
⑤	Abraçadeira de cabo
⑥	Quadro de Terminais
⑦	Linha de funcionamento
⑧	Linha de alimentação

NOTA:

No quadro de terminais 2, os dispositivos de ligação 1 e 2 são para o sistema de ligação em H, e os dispositivos 3 e 4 vão para a unidade interior a partir da caixa da unidade CH.

1. Desligar o interruptor principal e retirar a caixa eléctrica da unidade CH.
2. Recortar o centro do casquilho de borracha no orifício de ligação do fio, como ilustrado abaixo.
3. Ligar os fios de alimentação e de terra aos terminais da caixa eléctrica.
4. Ligar os fios da linha de funcionamento aos terminais da caixa eléctrica.

5. Apertar firmemente os fios usando a abraçadeira de cabo dentro da caixa eléctrica.
6. Depois da electrificação, tapar a caixa eléctrica.

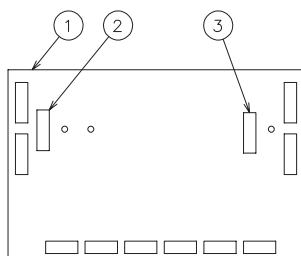


Nº	Nome do Componente
①	Casquilho de borracha
②	Cortar dentro

6.3. PROGRAMAÇÃO DOS MICRO INTERRUPTORES

■ Posição dos micro interruptores

A CCI1 na caixa eléctrica da unidade CH está equipada com 2 tipos de micro interruptores (DSW2, DSW5), como mostrado na figura seguinte.



Nº	Nome do Componente
①	PCB1
②	DSW5
③	DSW2

■ Programação dos micro interruptores

Os micro interruptores estão programados de fábrica e não é necessário programá-los localmente. Estes são utilizados para o auto-diagnóstico da CCI.

Posição de Programação de fábrica Comutador DIP)

- DSW5



- DSW2



NOTA:

A "■" marca indica a posição dos micro interruptores. As figuras acima mostram a programação de fábrica.



PRECAUÇÃO:

Antes de programar os micro interruptores, desligar a fonte de alimentação e proceder à programação dos mesmos. Se as teclas forem programadas sem desligar a corrente podem não funcionar.

7. ENSAIO

O teste de funcionamento deverá ser executado de acordo com o "Manual de Instalação e Funcionamento" da unidade exterior.



ADVERTÊNCIA:

Não pôr o sistema em funcionamento antes de verificar que todos os pontos de inspecção foram verificados.

- *Verificar e assegurar que a resistência eléctrica é superior a 1 M Ω , medindo a resistência entre a massa e o terminal das peças eléctricas. Se não for, não iniciar o funcionamento do sistema até ser detectada e reparada a fuga.*
- *Verificar e certificar que as válvulas de retenção da unidade exterior estão completamente abertas, e pôr o sistema em funcionamento.*
- *Verificar e certificar-se de que o interruptor de alimentação central esteve ligado mais de 12 horas para o aquecedor de óleo aquecer o óleo do compressor.*

Prestar atenção aos seguintes itens durante o funcionamento do sistema.

- *Não tocar com as mãos quaisquer peças no lado de descarga de gás, já que a câmara do compressor e os tubos do lado de descarga estão a temperatura superior a 90°C.*
- *NÃO PREMIR A TECLA DO(S) INTERRUPTOR(ES) MAGNÉTICO(S). Poderá causar um acidente grave.*

1. SIKKERHEDSREGLER



ADVARSEL:

- Før der udføres kølerørs-, installationsarbejde, eller elektriske ledningsføringer, skal der først refereres til vores installationsvejledning.
- Kontrollér, at afløderen er korrekt tilsluttet.
- Tilslut en sikring med den angivne kapacitet.



FORSIGTIG:

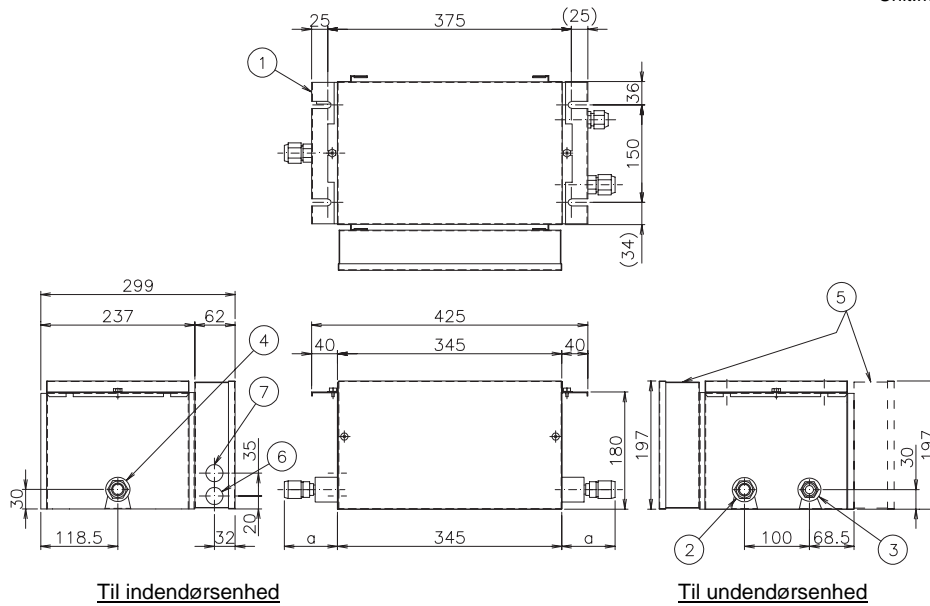
- Installer ikke CH-enheden og kablet indenfor ca. 3 meters afstand fra apparater, der udsender stærke elektromagnetiske bølger, såsom medicinsk udstyr.

2. STRUKTU

2.1. STØRRELSER

2.1.1. Model: CH-enhed – CH-(4.0/8.0)NE

Unit:mm



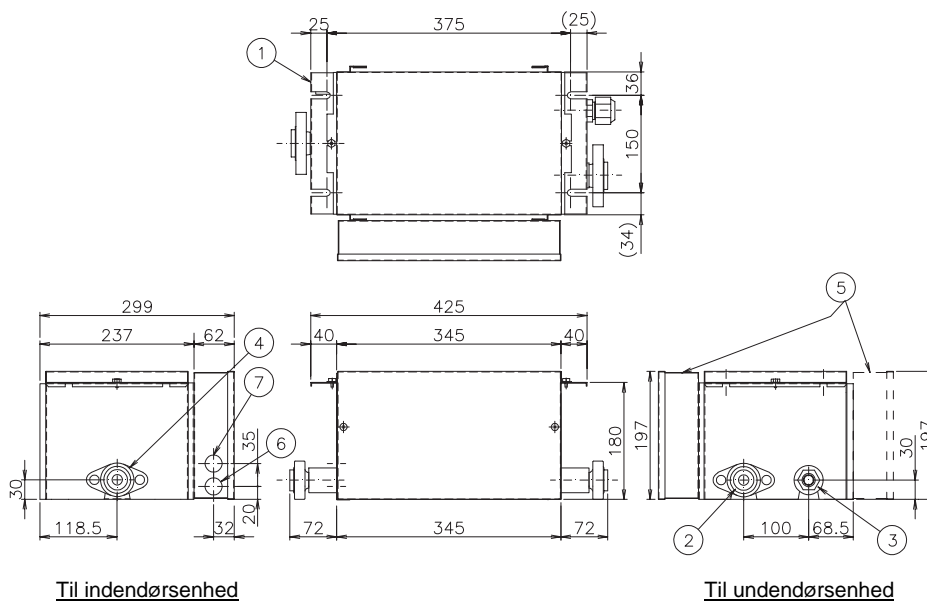
Til indendørsenhed

Til undendørsenhed

Nr.	Benaming	Opmerkingen		
		CH-4.0NE	CH-8.0NE	
1	Ophængningsbeslag	Til M8 eller W5/16 Bolte		
2	Kølegas (lav) rørforbindelse	Ø15.88 Forbindelsesstykke ved rørudvidelse	Ø19.05 Forbindelsesstykke ved rørudvidelse	
3	Kølegas (høj) rørforbindelse	Ø12.7 Forbindelsesstykke ved rørudvidelse	Ø15.88 Forbindelsesstykke ved rørudvidelse	
4	Rørforbindelse til kølegas	Ø15.88 Forbindelsesstykke ved rørudvidelse	Ø19.05 Forbindelsesstykke ved rørudvidelse	
5	Elektrisk kontrolboks	(Tilgængelig montering på begge sider)		
6	Hul til arbejdslinie	Ø26.5		
7	Hul til tilledning	Ø26.5		
Størrelser		a	78mm	82mm

2.1.2. Model: CH-enhed – CH-12.0N

Unit:mm



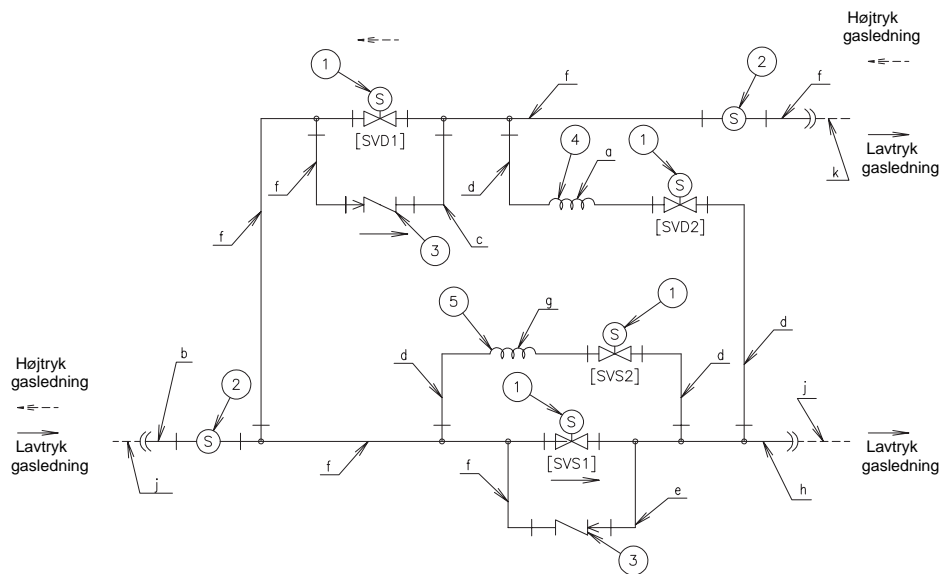
Nr.	Benaming	Opmerkingen
		CH-12.0N
1	Ophængningsbeslag	Til M8 eller W5/16 Bolte
2	Kølegas (lav) rørforbindelse	Ø22.2 Forbindelsesstykke ved rørudvidelse
3	Kølegas (høj) rørforbindelse	Ø19.05 Forbindelsesstykke ved rørudvidelse
4	Rørforbindelse til kølegas	Ø22.2 Forbindelsesstykke ved rørudvidelse
5	Elektrisk kontrolboks	(Tilgængelig montering på begge sider)
6	Hul til arbejdslinie	Ø26.5
7	Hul til tilledning	Ø26.5

2.2. KØLEMIDDELKREDSLØB

2.2.1. CH enhed - (CH-4.0/8.0NE)

← Til indendørsenhed

Til undendørsenhed →



- Kølemiddel strømningsretning (køle-drift)
- ← Kølemiddel strømningsretning (varme-drift)
- ⌋⌋ Forbindelsesstykke ved rørdvildelse
- ⊥ Slagloddetilslutning
- Kølemiddel-rørføring

Nr.	Benaming
1	Magnetventil (AC)
2	Sugefilter
3	Kontraventil
4	Kapillarrør
5	Kapillarrør

Mærke	Materialeestørrelse O.D.(mm) x tykkelse (mm)		Materiale
	CH-4.0NE	CH-8.0NE	
a	Ø2.5x0.7		Kobberrør C1220T-O
b	Ø12.7x1.0	Ø15.88x1.0	
c	Ø9.53x0.8	Ø12.7x1.0	
d	Ø6.35x1.07		
e	Ø9.53x0.8		
f	Ø12.7x1.0		
g	Ø4.0x0.8	Ø4.0x0.5	
h	Ø12.7x1.0	Ø15.88x1.2	
j	Ø15.88	Ø19.05	
k	Ø12.7	Ø15.88	

DANSK

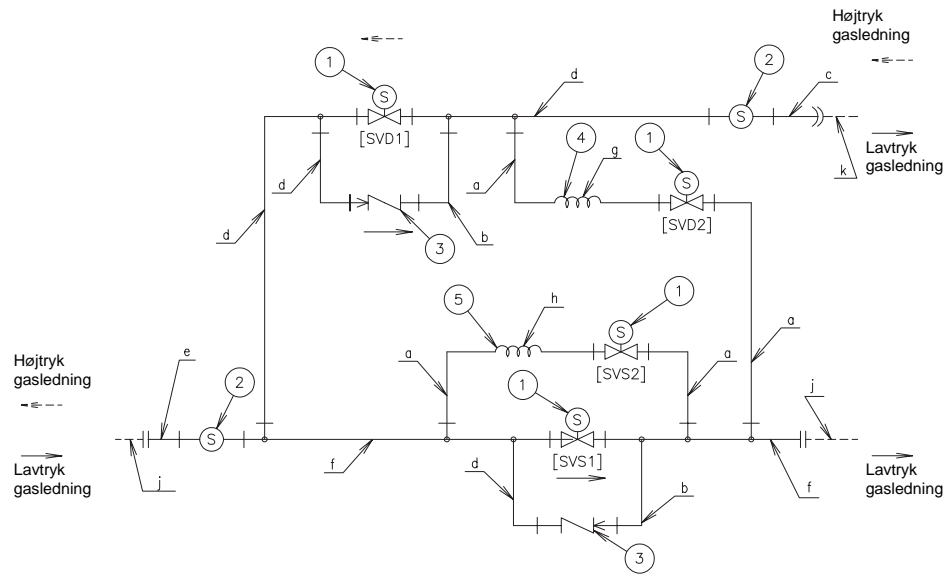
BEMÆRK:

Inderside-mærket "[]" er vist i ledningsnettsdiagrammet.

2.2.2. CH enhed - CH-12.0N

← Til indendørsenhed

Til undendørsenhed →



→ Kølemiddel strømningsretning (køle-drift)
 - - - Kølemiddel strømningsretning (varme-drift)

⌋ Forbindelsesstykke ved rørdvidelse
 || Forbindelsesstykke ved rørdvidelse
 + Slaglodtilslutning
 - - - Kølemiddel-rørføring

Nr.	Benaming
1	Magnetventil (AC)
2	Sugefilter
3	Kontraventil
4	Kapillarrør
5	Kapillarrør

Mærke	Materialeestørrelse O.D.(mm) x tykkelse (mm)	Materiale
a	Ø6.35 x 1.07	Kobberrør C1220T-O
b	Ø12.7 x 1.0	
c	Ø15.88 x 1.0	
d	Ø15.88 x 1.2	
e	Ø19.05 x 1.2	
f	Ø19.05 x 1.65	
g	Ø3.0 x 0.8	
h	Ø4.0 x 0.5	
j	Ø22.2	
k	Ø19.05	

BEMÆRK:

Inderside-mærket "[]" er vist i ledningsnettsdiagrammet.

2.3. LISTE OVER NØDVENDIGE REDSKABER OG INSTRUMENTER TIL INSTALLERINGEN

Nr.	Redskab	Nr.	Redskab
1	Håndsav	11	Skruenøgle
2	Stjerneskrutetrækker	12	Påfyldningscylinder
3	Vakuumpumpe	13	Samlerørsmåler
4	Kølemiddelgasslange	14	Ledningscutter
5	Megohmmeter	15	Gasudslipsmåler
6	Kobberrørsafbøjer	16	Udjævner
7	Manuel vandpumpe	17	Klatrejern til loddefri klemmer
8	Rørskærer	18	Hejse (til indendørsenhed)
9	Slaglodningsudstyr	19	Amperemeter
10	Sekskantet skruenøgle	20	Strømmåler

3. TRANSPORT OG HÅNDTERING

Transportér produktet så tæt på installeringsstedet som muligt, før udpakningen.



ADVARSEL:

Put ikke fremmedlegemer ind i CH-enheden og kontrollér at der ikke findes fremmedlegemer i udendørsenheden før installering og testkørsel startes. I modsat fald kan der opstå brand, fejl, etc.



FORSIGTIG:

Anbring ikke nogen form for materialer på produktet.
Pas på ikke at ødelægge isoleringsmaterialet på enhedens overflade, når den løftes.

DANSK

3.1. COMBINATION CH UNIT AND INDOOR UNIT

The CH Unit is Installed indoors for the SET-FREE FXN(E) system, between the outdoor unit and Indoor unit. The combination of the CH Unit and indoor Unit is as follows.

Modelo	Antal indendørsenheder	Total indendørskapacitet (HP)
CH-4.0NE	1 til 5	Mindre end 4.0 (undtagen 4.0)
CH-8.0NE	1 til 8	4.0~8.0 (inklusive 4.0 og undtagen 8.0)
CH-12.0N	1 til 5	8.0~12.0 (inklusive 8.0 og undtagen 12.0)

4. INSTALLERING AF CH-ENHEDEN**ADVARSEL:**

Installér ikke indendørsenheden i et brandfarligt område, for hermed at undgå brand eller eksplosion.

**ADVARSEL:**


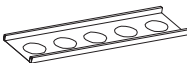
Kontrollér, at loftpladen er stærk nok.

Installér ikke CH-enheden udendørs. Hvis den installeres udendørs, vil der opstå fare for lækstrøm.

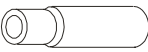
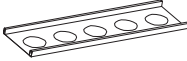
4.1. MEDFØLGENDE TILBEHØR

Kontrollér, at følgende tilbehør er pakket med CH-enheden.

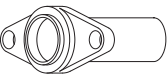


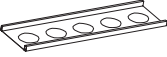

■ Medfølgende tilbehør (til CH-4.0NE).

Tilbehør		Antal	Formål
Reduktor (Ø15.88 til Ø12.7)		1	Til sammensætning af Ø12.7 væskerør til indendørsenheden
Rørmonteringsbånd		2	Til montering af væskerør

■ Medfølgende tilbehør (til CH-8.0NE).

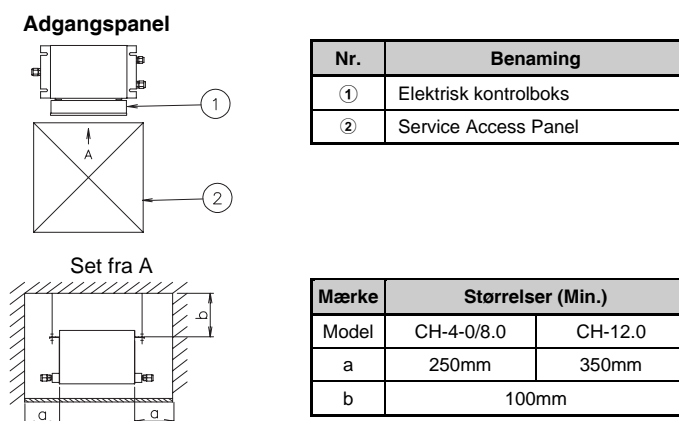
Tilbehør		Antal	Formål
Reduktor (Ø19.05 til Ø15.88)		1	Til sammensætning af Ø15.88 væskerør til indendørsenheden
Rørmonteringsbånd		2	Til montering af væskerør

■ Medfølgende tilbehør (til CH-12.0N).

Accessory		Q'ty	Purpose
Flange-rørstørrelse (Ø22.2)		2	Til gasrørsføring (høj) fra udendørsenhed
Flange-pakning		2	Flange-tætning
Isolering (Ø38 ID)		1	Til sammensætning af kølerør
Rørmonteringsbånd		2	Til montering af væskerør
Spændebånd		8	Til fæstning af isolering til kølerør

4.2. INDLEDENDE KONTROL

4.2.1. Installér CH-enheden med tilpas luft omkring den, så der er plads til at udføre eftersyn, som vist i figuren herunder:



4.2.2. Der kan muligvis høres en fløjtelyd fra CH-enheden, når magnetventilen i CH-enheden er aktiveret. For at mindske lyden, bør følgende punkter opfyldes.

- Install the CH unit inside the ceiling. As for the ceiling Materiale, select a Materiale like a plaster board which minimizes operation sound.
- Do not install the CH unit in near a bed room or hospital room.
- Do not install the CH unit in a hot or humid place like kitchen to prevent dew condensation on the outer surface of the CH unit.

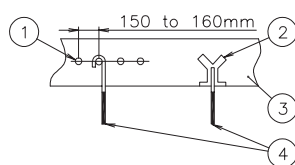
4.2.3. Vær opmærksom på følgende punkter, hvis CH-enheden installeres på et hospital eller andre steder, hvor der forekommer elektriske bølger fra medicinsk udstyr.

- Installér ikke CH-enheden, hvor der udsender elektriske bølger direkte mod strømforsyningen eller mellem ledningsnettet (arbejdslinien).
- Installér CH-enheden og bestanddelene så langt fra (eller mindst i 3 meter afstand), fra elektromagnetiske bølge apparater.
- Installér et støjfilter, når strømtilførslen udsender støj.

4.3. FJEDERBOLTE

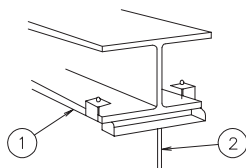
- Vælg den endelige placering af indendørsenheden, og beregn plads til rørføringen, ledningsføring og vedligeholdelse.
- Montér fjederboltene som vist herunder.

- Til betonplade:



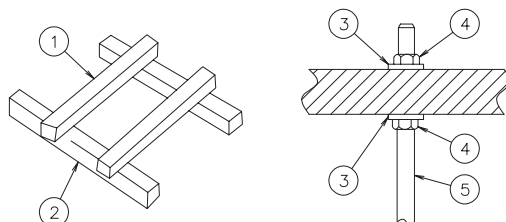
Nr.	Benaming
①	Strygejern
②	Indsats (100 til 150 kg)
③	Beton
④	Ankerbolt (W3/8 eller M10)

- Til stålbjælke:



Nr.	Benaming
①	L-jern
②	Fjederbolte (W3/8 eller M10)

- Til træbjælke-ophængning:



Nr.	Benaming
①	Træstang (60-90mm firkant)
②	Træbjælke
③	Firkantspændeskive
④	Møtrikker
⑤	Ophængningsbol (W3/8 eller M10)

4.4. INSTALLERING

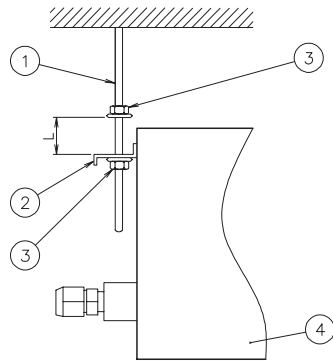
4.4.1. Mærkning af placeringen af fjederbolte og rørføring.

- Markér placeringen af fjederbolte, samt rørførings- og afledningssamlingen
- Se monteringsmålene i kapitel 2.1.

4.4.2. Montering af CH-enheden

■ **Hvordan møtrikkerne skal påsættes**

Sæt møtrikker på hver af de fire fjederbolte, før CH-enheden indstilles, som vist herunder.



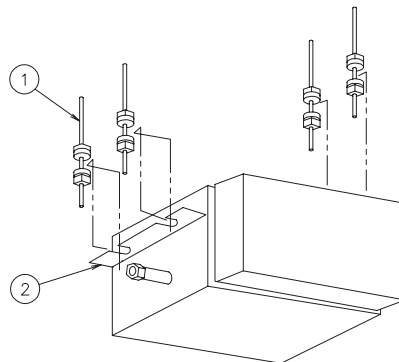
Nr.	Benaming
①	Fjederbolt
②	Ophængningsbeslag
③	Møtrik & spændeskive (Field-Supplied)
④	CH-Box

Mærke	Størrelser
L	30~50mm

Field-Supplied Parts	CH-(4.0/8.0/12.0)NE
Fjederbols	4-M10 eller W-3/8
Møtrik	8-M10 eller W-3/8
Spændeskive	8-M10 eller W-3/8

■ **Ophængning af CH-enheden**

Hægt ophængningsbeslaget til møtrik og spændeskive på hver fjederbolt, som vist herunder. Kontrollér, at møtrik og spændeskive er korrekt fastspændt til holderen på ophængningsbeslaget.



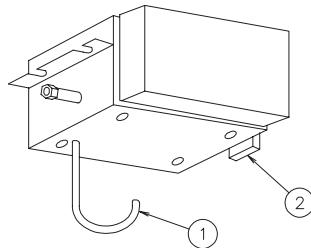
Nr.	Benaming
①	Fjederbol
②	Ophængningsbeslag

DANSK

4.4.3. Justering af enhedsniveau

■ Fastgøring af møtrikker

Hvis du vil undgå forkert drift, skal du kontrollere enhedens nivellering vha. et vaterpas.



Nr.	Benaming
①	Vinylrør
②	Nivelleringsredskab

Fastgør ophængningsmøtrikkernes bolte med ophængningsbeslaget, efter justering. Der skal overmales med en special plastikmaling, så møtrikkerne ikke løsnes.

5. KØLE-RØRFØRINGSARBEJDE



ADVARSEL:

Brug kølemiddel R407C i kølekredsløbet. Hæld ikke oxygen, acetylen eller andre brandbare og giftige gasser i kølekredsløbet, under udførelse af en lækage-test eller en lufttæt-test. Disse gastyper er ekstremt farlige og kan forårsage en eksplosion. Det anbefales at bruge trykluft, nitrogen eller kølemiddel til disse testtyper.

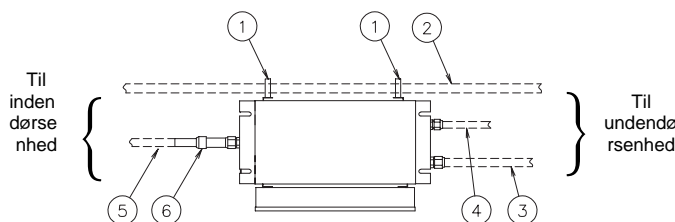
5.1. RØRFØRINGSMATERIALER

1. Klargør de anskaffede kobberør.
2. Vælg rene kobberør. Kontrollér at der ikke er støv og fugt indeni. Før rørene samles, så blæs indersiden af rørene med nitrogen eller tør luft, for at fjerne støv eller andre fremmedlegemer.
3. Vælg rørstørrelse efter dimensionsoversigten

5.2. RØRFORBINDELSER

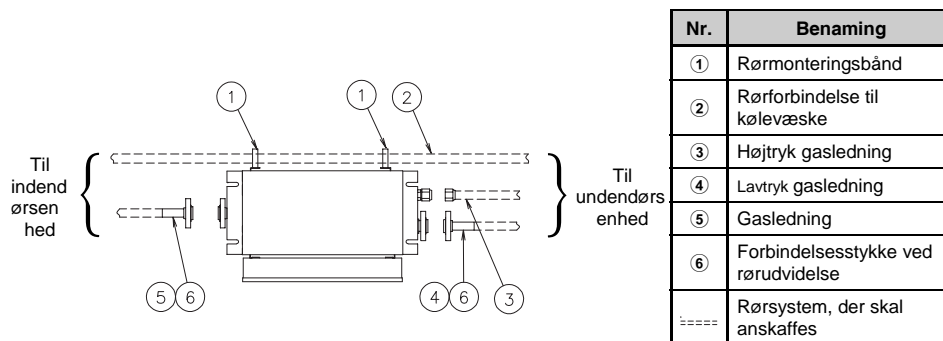
1. Placering af rørsamlingen er vist i dimensionsoversigten.
2. Tilslut tilbehøret som vist i diagrammet nedenfor:

■ CH-(4.0/8.0)NE

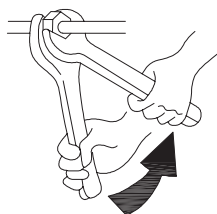


Nr.	Benaming
①	Rørmonteringsbånd
②	Rørforbindelse til kølevæske
③	Lavtryk gasledning
④	Højtryk gasledning
⑤	Gasledning
⑥	Reduktor
-----	Rørsystem, der skal anskaffes

■ CH-12.0N



3. Når møtrikkerne strammes, så benyt to skruenøgler, som vist i figuren herunder



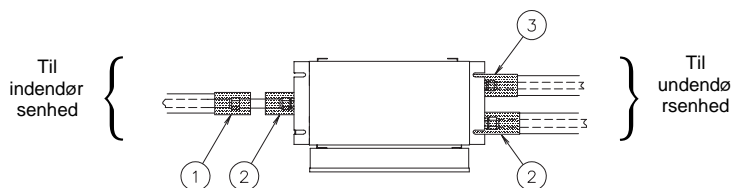
Rørstørrelse		Tilspændingsmoment (N·m)
Ø6.35	(1/4)	2
Ø9.53	(3/8)	4
Ø12.7	(1/2)	6
Ø15.88	(5/8)	8
Ø19.05	(3/4)	10

4. Efter samlingen af kølerørene, så tætn kølerørene ved hjælp af det medkrog isoleringsmateriale, som vist i figuren herunder.

Brug det medfølgende flangerør til at samle lavtryks-gasrørene. Pakningen på enhedens gasrørsåbning, bør erstattes med den, der medfølger enheden. (Der bør anskaffes varmeisolering til at dække flangesamlingen).

BEMÆRK:

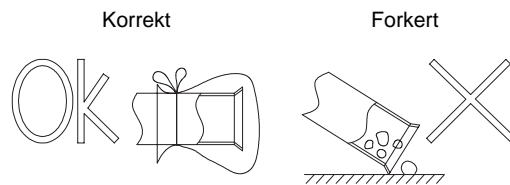
Den medfølgende flange bør svejdes med samlingsrøret før ventilen tilsluttes. Montér pakningen efter lodning af røret. Vær især opmærksom på flange- samlingen, så pakningen bliver korrekt placeret.



Nr.	Benaming	Opmerkingen
①	Isolering	- Skal anskaffes – CH-4.0NE
②	Isolering	- Skal anskaffes – CH-(4.0/8.0/12.0)NE
③	Isolering	- Skal anskaffes – CH-(4.0/8.0)NE - Medfølgende tilbehør CH-12.0N

**FORSIGTIG:**

- Dæk enden af røret, når røret skal indsættes igennem et hul.
- Anbring ikke rør direkte på jorden uden et dæksel eller vinyltape for enden af røret.
- Fjern alle brandbare materialer i nærheden af enhederne. I modsat fald kan der opstå brand.

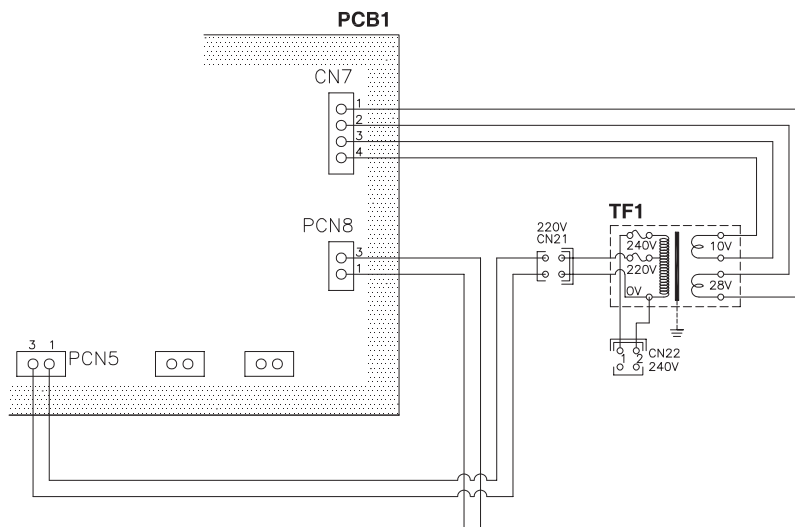


5. Udtømning og påfyldning af kølemiddel, bør foregå i henhold til udendørsenhedens "Installations- og betjeningsvejledning".

6. KABELTRÆKNING

**ADVARSEL:**

- Sluk for CH-enhedens hovedkontakt, før der udføres elektrisk ledningsarbejde, eller periodisk kontrol, på indendørs- og udendørsenheden.
- Beskyt ledninger, elektriske dele etc., mod rotter og andre skadedyr.
- Kontrollér følgende, inden der tændes for hovedkontakten.
Hvis strømkilden til indendørsenheden 240V (mærkespænding), ændrer CN21 (apparatstikforbindelse) til CN22 på transformeren (TF1) i kontrol strømforsyningen, som vist herunder.

**FORSIGTIG:**

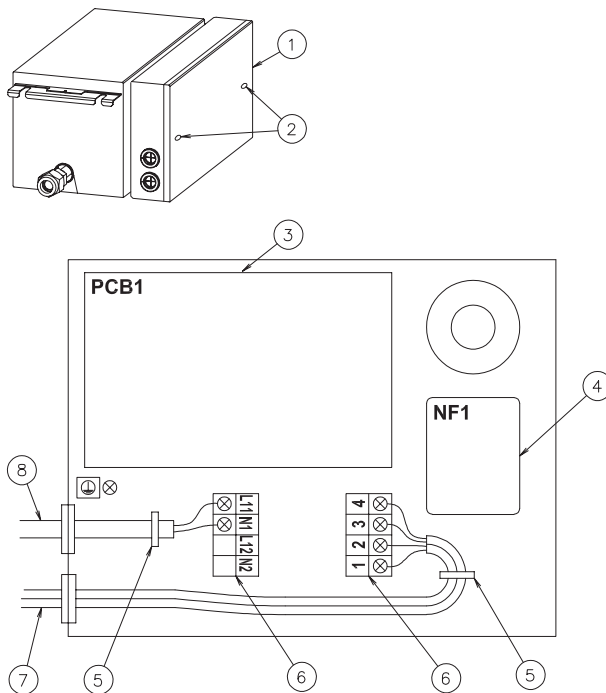
- Pak ledningerne ind i den medfølgende indpakning, og luk ledningshullet med et tætningsmateriale, for at beskytte produktet mod kondensvand eller insekter.
- Fastgør ledningerne med ledningsklemmen inde i el-apparatet.

6.1. GENEREL KONTROL

- Kontrollér, at de udvalgte elektriske bestanddele (hovedkontakter, hovedafbryder, ledninger, ledningskanaler og ledningsklemmer) er valgt i overensstemmelse med de elektriske data, der er indikeret i det tekniske katalog. Kontrollér, at bestanddelene overholder de gældende el-krav.
- Kontrollér, at strømtilførslen ligger indenfor $\pm 10\%$ af mærkespændingen.
- Hvis strømkildekapaciteten er for lav, kan systemet ikke startes grundet spændingsfaldet.
- Kontrollér, at aflederen er tilsluttet.

6.2. ELEKTRISK LEDNINGSFØRING

Den elektriske ledningsføring er vist i figuren herunder.



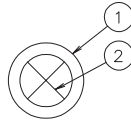
Nr.	Benaming
①	Elektrisk kontrolboks
②	Fastspændingsskrue
③	Trykt kredsløbsbræt
④	Støjfilter
⑤	Ledningsklemme
⑥	Terminalbræt
⑦	Arbejdslinie
⑧	Tilledning

BEMÆRK:

På klembræt 2, er forbinder 1 og 2 til H Link-systemet, og forbinder 3 og 4 skal gå til indendørsenheden fra CH-apparatet.

1. Sluk for hovedkontakten og fjern beslaget fra CH-enhedens el-apparat.
2. Fjern midten af gummibøsningen i ledningsføringshullet, som vist herunder.
3. Forbind strømtilførslen og afledere til klemmerne i el-apparatet.
4. Forbind arbejdslinie-ledningerne til klemmerne i el-apparatet.

5. Fastgør ledningerne ved hjælp af ledningsklemmerne i el-apparatet.
6. Fastgør el-apparatets beslag efter udført ledningsarbejde.

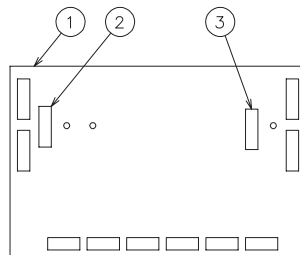


Nr.	Benaming
①	Gummibøsning
②	Skær inderside

6.3. INDSTILLING AF DIP-KONTAKTER

■ Dip-kontakternes placering

PCB1'en i CH-enhedens el-apparat, er udstyret med 2 typer dip-kontakter (DSW2, DSW5), som vist i figuren herunder.



Nr.	Benaming
①	PCB1
②	DSW5
③	DSW2

■ Indstilling af dip-kontakter

Dip-kontakterne er indstillet før forsendelse og indstilling i dette felt er ikke nødvendigt. De benyttes til PCB selv-diagnose.

Fabriksindstilling (Vippeomskifter)

- DSW5



- DSW2



BEMÆRK:

"■" markeringen indikerer dip-kontakternes placering. De ovenstående figurer, viser indstillingen før forsendelse.



FORSIGTIG:

Før dip-kontakterne indstilles, så sluk først for strømtilførslen og indstil herefter dip-kontakterne. Hvis kontakterne indstilles, uden først at slukke for strømtilførslen, vil kontakten ikke virke.

7. PRØVETEST

Test-kørslen skal udføres i overensstemmelse med udendørsenhedens "installations- og betjeningsvejledning".



ADVARSEL:

Betjen ikke apparatet før alle kontrolpunkterne er i orden.

- *Kontrollér, at den elektriske modstandskraft er over 1 M Ω , ved at måle modstanden mellem jordoverfladen og klemmerne på de elektriske dele. Hvis dette ikke er tilfældet, så betjen ikke apparatet til den elektriske lækage er fundet og repareret.*
- *Kontrollér, at afspærringsventilerne på udendørsenheden er helt åbne, og start herefter apparatet.*
- *Kontrollér, at kontakten på hoved-strømtilførslen har være tændt i over 12 timer, for at varme oliekompressoren ved hjælp af olieopvarmeren.*

Vær opmærksom på følgende punkter, når apparatet er i drift.

- *Rør ikke ved delene på gasudledningssiden, da kompressorkammeret og udledningsrørene er opvarmet til over 90°C.*
- *TRYK IKKE PÅ MAGNETAFBRYDEREN. Det vil forårsage en alvorlig ulykke.*

1. SAMENVATTING VEILIGHEID



WAARSCHUWING:

- Voer geen installatiewerk, werkzaamheden aan koelleidingen en elektrische bedradingwerkzaamheden uit zonder eerst onze installatiehandleiding te hebben geraadpleegd.
- Controleer of de aarddraad goed is aangesloten.
- Sluit een zekering met de gespecificeerde sterkte aan.



VOORZICHTIG:

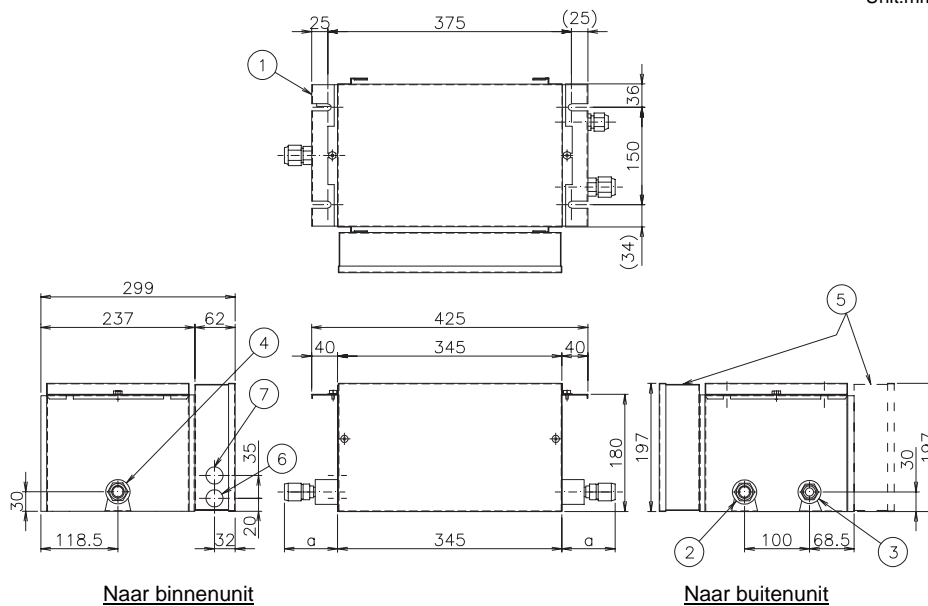
- Installeer de CH-unit en de kabel niet op een afstand kleiner dan 3 meter van een apparaat met een sterk elektromagnetisch veld, zoals medische apparatuur.

2. OPBOUW

2.1. AFMETINGEN

2.1.1. Model: CH Unit – CH-(4.0/8.0)NE

Unit:mm



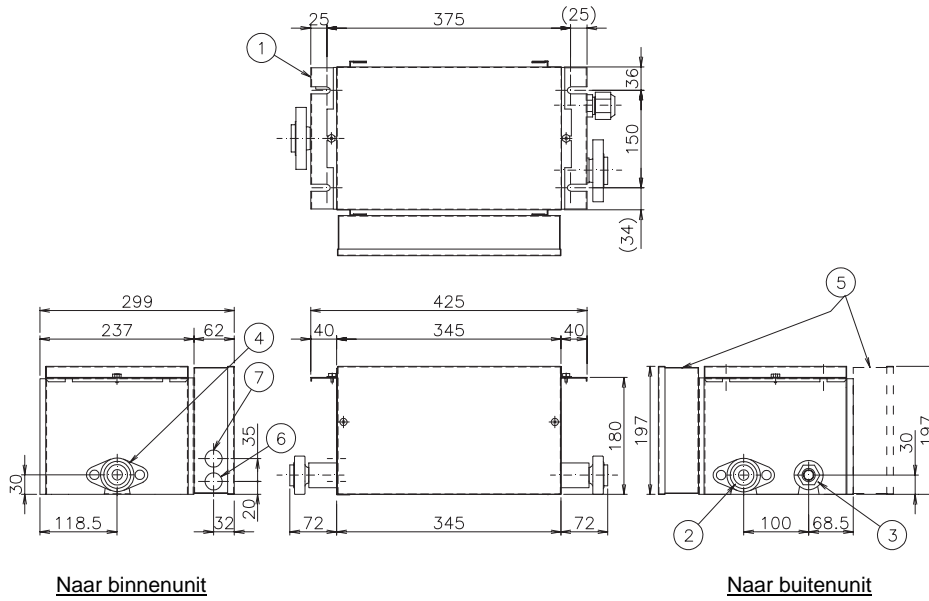
Naar binnenunit

Naar buitenunit

NR.	Benaming	Opmerkingen	
		CH-4.0NE	CH-8.0NE
1	Ophangbeugel	Voor bout M8 or W5/16	
2	Aansluiting koelgasleiding (lage druk)	Ø15.88 Flareverbinding	Ø19.05 Flareverbinding
3	Aansluiting koelgasleiding (hoge druk)	Ø12.7 Flareverbinding	Ø15.88 Flareverbinding
4	Aansluiting koelgasleiding	Ø15.88 Flareverbinding	Ø19.05 Flareverbinding
5	Elektrische regelkast	(Beschikbare aansluiting aan beide zijden)	
6	Sparing voor bedieningsleiding	Ø26.5	
7	Sparing voor stroomtoevoerleiding	Ø26.5	
Afmetingen		a	
		78mm	82mm

2.1.2. Model: CH Unit – CH-12.0N

Unit:mm



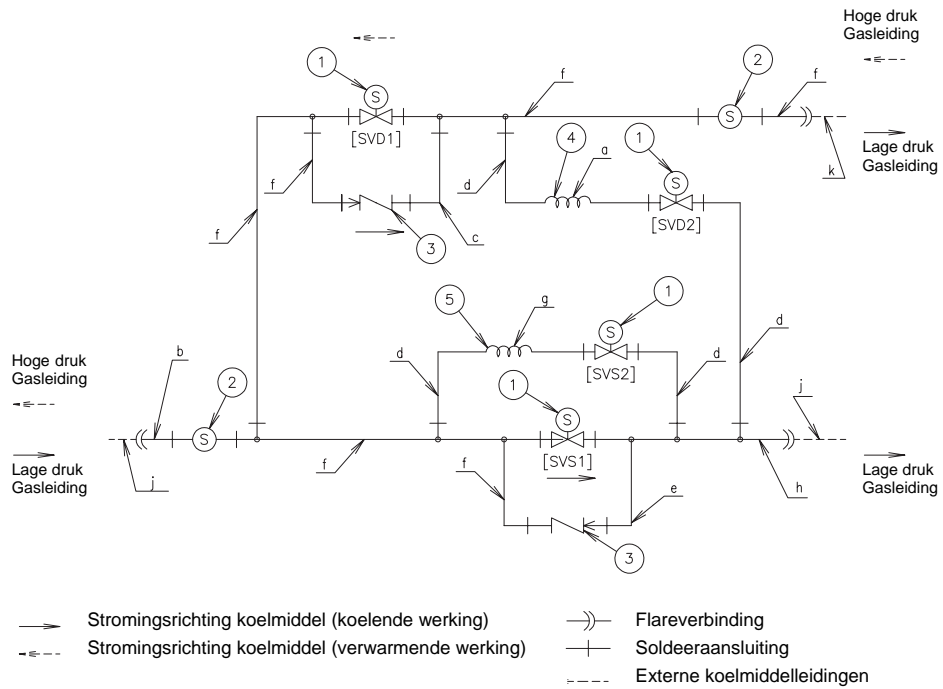
Nr.	Benaming	Opmerkingen
		CH-12.0N
1	Ophangbeugel	Voor bout M8 or W5/16
2	Aansluiting koelgasleiding (lage druk)	Ø22.2 Flensverbinding
3	Aansluiting koelgasleiding (hoge druk)	Ø19.05 Flareverbinding
4	Aansluiting koelgasleiding	Ø22.2 Flensverbinding
5	Elektrische regelkast	(Beschikbare aansluiting aan beide zijden)
6	Sparing voor bedieningsleiding	Ø26.5
7	Sparing voor stroomtoevoerleiding	Ø26.5

2.2. KOELMIDDEL CYCLUS

2.2.1. CH Unit (CH-4.0/8.0NE)

← Naar binnenunit

→ Naar buitenunit



Nr.	Benaming
1	Elektromagnetische klep (wisselspanning)
2	Inlaatrooster
3	Controleklep
4	Capillaire buis
5	Capillaire buis

Nr.	Materiaal afmeting O.D.(mm) x dikte (mm)		Materiaal
	CH-4.0NE	CH-8.0NE	
a	Ø2.5x0.7		Koperen leiding C1220T-O
b	Ø12.7x1.0	Ø15.88x1.0	
c	Ø9.53x0.8	Ø12.7x1.0	
d	Ø6.35x1.07		
e	Ø9.53x0.8		
f	Ø12.7x1.0		
g	Ø4.0x0.8	Ø4.0x0.5	
h	Ø12.7x1.0	Ø15.88x1.2	
j	Ø15.88	Ø19.05	
k	Ø12.7	Ø15.88	

NEDERLANDS

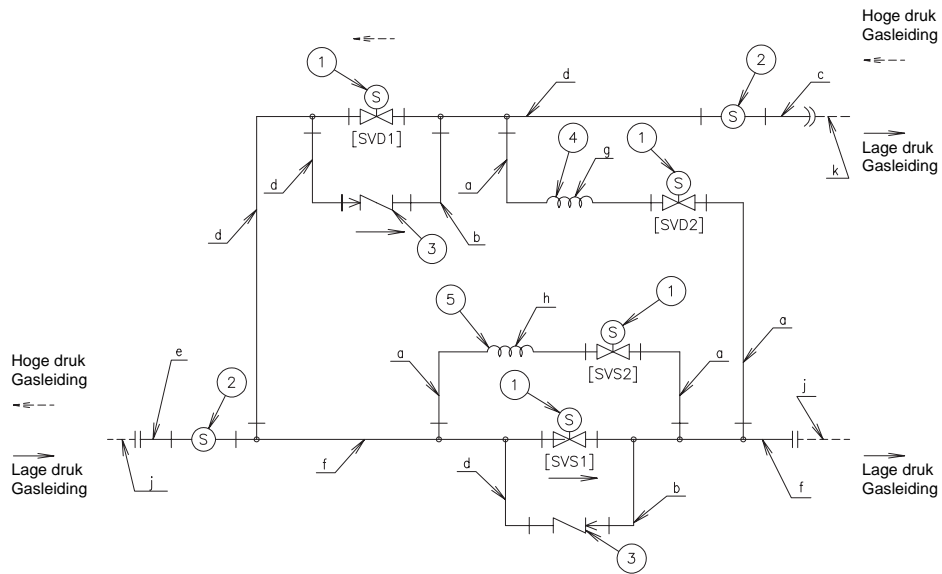
LET OP:

Het teken aan de binnenzijde "[]" staat weergegeven in het elektrische bedradingschema

2.2.2. CH Unit CH-12.0N

← Naar binnenunit

Naar buitenunit →



- Stromingsrichting koelmiddel (koelende werking)
- ←- - - Stromingsrichting koelmiddel (verwarmende werking)
- ⌋ Flareverbinding
- ⌋ Flensverbinding
- ⌋ Soldeeraansluiting
- - - Externe koelmiddelleidingen

Nr.	Benaming
1	Elektromagnetische klep (wisselspanning)
2	Inlaatrooster
3	Controleklep
4	Capillaire buis
5	Capillaire buis

Nr.	Materiaal afmeting O.D.(mm) x dikte (mm)	Materiaal
a	Ø6.35 x 1.07	Koperen leiding C1220T-O
b	Ø12.7 x 1.0	
c	Ø15.88 x 1.0	
d	Ø15.88 x 1.2	
e	Ø19.05 x 1.2	
f	Ø19.05 x 1.65	
g	Ø3.0 x 0.8	
h	Ø4.0 x 0.5	
j	Ø22.2	
k	Ø19.05	

LET OP:

Het teken aan de binnenzijde "[]" staat weergegeven in het elektrische bedradingschema

2.3. LIJST BENODIGDE GEREEDSCHAPPEN EN INSTRUMENTEN VOOR INSTALLATIE

Nr.	Gereedschap	Nr.	Gereedschap
1	Handzaag	11	Steeksleutel
2	Kruiskopschroevendraaier	12	Cilinder tbv aanvullen
3	Vacuümpomp	13	Meetspruitstuk
4	Gasleiding koelmiddel	14	Draadkniptang
5	Megohmmeter	15	Gaslekdetector
6	Pijpbuigmachine (koper)	16	Waterpas
7	Handmatige waterpomp	17	Klemschakeling voor niet-gesoldeerde aansluitpunten
8	Pijpsnijder	18	Takel (voor binneneenheid)
9	Soldeerset	19	Ampèremeter
10	Inbussleutels	20	Voltmeter

3. TRANSPORT EN HANTERING

Plaats voorafgaand aan het uitpakken het product zo dicht mogelijk bij de installatieplaats.



WAARSCHUWING:

Plaats geen vreemde materialen in de CH-unit en controleer en stel vast dat er zich geen vreemde materialen in de buitenunit bevinden, alvorens de installatie en de testcyclus uit te voeren. Anders kan dit leiden tot brand of uitval.



VOORZICHTIG:

*Plaats geen materiaal op het product.
Pas ervoor op dat de isolatiematerialen van het unitoppervlak niet beschadigd raken tijdens optillen.*

3.1. COMBINATIE CH-UNIT EN BINNENEENHEID

De CH-unit wordt binnen geïnstalleerd voor het SET-FREE FXN(E) systeem, tussen de buitenunit en de binneneenheid. De combinatie van de CH-unit en de binneneenheid is als volgt.

Model	Hoeveelheid binneneenheden	Totale binnencapaciteit (HP)
CH-4.0NE	1 tot 5	Kleiner dan 4.0 (en met uitzondering van 4.0)
CH-8.0NE	1 tot 8	4.0~8.0 (inbegrepen 4.0 en met uitzondering van 8.0)
CH-12.0N	1 tot 5	8.0~12.0 (inbegrepen 8.0 inbegrepen 12.0)

4. INSTALLATIE CH-UNIT


GEVAAR:

Installeer de binnenunit niet in een brandgevaarlijke omgeving, om brand of een explosie te voorkomen.


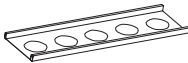

WAARSCHUWING:

Controleer dat het plafond sterk genoeg is.
Installeer de CH-Unit niet buiten. Het buiten installeren leidt tot elektrisch gevaar en elektriciteitslekage.

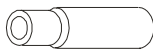
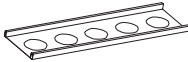
4.1. MEEGELEVERDE ACCESSOIRES

Controleer en stel vast dat de volgende accessoires bij de CH-unit zijn inbegrepen.

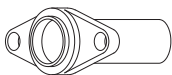


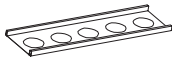

■ Meegeleverde accessoires - Voor CH-4.0NE.

Accessoire	Aantal	Doel	
Verloopstuk ($\varnothing 15,88$ tot $\varnothing 12,7$)		1	Voor aansluiting $\varnothing 12,7$ vloeistofleiding van binnenunit
Binder voor buisbevestiging		2	Om een vloeistofleiding te bevestigen

■ Meegeleverde accessoires - Voor CH-8.0NE.

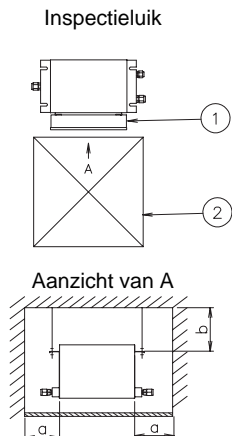
Accessoire	Aantal	Doel	
Verloopstuk ($\varnothing 19,05$ tot $\varnothing 15,88$)		1	Voor aansluiting $\varnothing 15,88$ vloeistofleiding van binnenunit
Binder voor buisbevestiging		2	Om een vloeistofleiding te bevestigen

■ Meegeleverde accessoires - Voor CH-12.0N.

Accessoire	Aantal	Doel	
Flens buisgrootte ($\varnothing 22,2$)		2	Voor gasleiding van buitenunit (hoge druk)
Flenspakking		2	Flensafdichting
Isolatie ($\varnothing 38$ ID)		1	Voor aansluiting koelmiddelleidingen
Binder voor buisbevestiging		2	Om een vloeistofleiding te bevestigen
Strip		8	Voor bevestiging isolatie koelmiddelleidingen

4.2. AANVANGSCONTROLE

4.2.1. Houd bij het installeren van CH-unit de voldoende vrije ruimte aan t.b.v. werkruimte bij onderhoud, zoals in onderstaand figuur staat aangegeven:



Nr.	Benaming
①	Elektrische regelkast
②	Inspectieluik

Nr.	Afmetingen	
Model	CH-4-0/8.0	CH-12.0
a	250mm	350mm
b	100mm	

4.2.2. Een stromend geluid van het koelmiddel kan hoorbaar zijn vanuit de CH-unit, wanneer de elektromagnetische klep in de CH-unit wordt geactiveerd. Om het geluid te beperken, kunt u het volgende doen.

- Installeer de CH-unit binnenin het plafond. Kies voor het plafond een materiaal dat dit geluid beperkt, zoals gipsplaat.
- Installeer de CH-unit niet in of bij een slaapkamer of een ziekenhuiskamer.
- Installeer de CH-unit niet in een warme of vochtige ruimte zoals een keuken, om condensatie op het buitenoppervlak van de CH-unit te voorkomen.

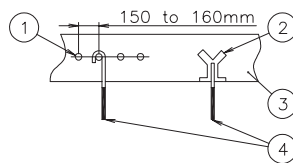
4.2.3. Let op de volgende punten, wanneer de CH-unit wordt geïnstalleerd in een ziekenhuis of andere faciliteiten waar elektronische golven door medische apparatuur worden afgegeven..

- Installeer de CH-unit niet daar waar elektromagnetische golven direct op de elektrische kast of de tussenliggende bedrading (bedrijfsleidingen) worden afgegeven.
- Installeer de CH-unit en de bijbehorende componenten zover mogelijk, maar minimaal 3 meter, van een apparaat met een elektromagnetisch veld.
- Wanneer de stroomtoevoer schadelijke geluiden voortbrengt, kunt u een geluidfilter installeren.

4.3. OPHANGBOUTEN

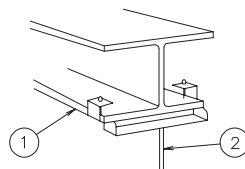
- Bepaal de uiteindelijke plaats en installatierichting van de binnenunit en let hierbij goed op de benodigde ruimte voor leidingen, bedrading en onderhoud.
- Breng de ophangbouten aan volgens onderstaande illustratie.

- Voor betonplaat:



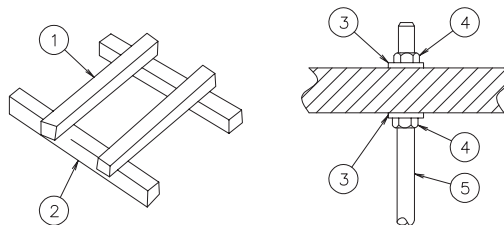
Nr.	Benaming
①	Staal
②	Insteek (100 t/m 150 kg)
③	Beton
④	Ankerbout (W3/8 of M10)

- Voor stalen balk:



Nr.	Benaming
①	I-balk
②	Ankerbouten (W3/8 of M10)

- Bij een ophanging aan houten balk:



Nr.	Benaming
①	Houten lat (60-90mm vierkant)
②	Houten balk
③	Vierkante sluitplaat
④	Moeren
⑤	Stropbout (W3/8 of M10)

4.4. INSTALLATIE

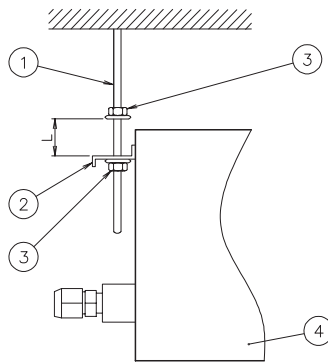
4.4.1. Aftekenen positie van de ophangbouten en de leidingverbindingen

- Teken de positie af van de ophangbouten, verbindingen van koelmiddelleidingen en de afvoeraansluiting.
- Zie Installatieafmetingen in hoofdstuk 2.1.

4.4.2. Bevestigen van de CH-unit

■ **Plaatsingswijze moeren.**

Plaats voor het ophangen van de CH-unit moeren op elk van de vier ophangbouten, zoals hieronder weergegeven



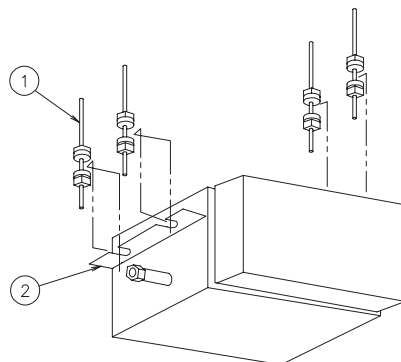
Nr.	Benaming
①	Ophangbout
②	Ophangbeugel
③	Moer & sluitring (Niet meegeleverd)
④	CH-Box

Mark	Afmetingen
L	30~50mm

Meegeleverde onderdelen	CH-(4.0/8.0/12.0)N(E)
Ophangbouten	4-M10 of W-3/8
Moer	8-M10 of W-3/8
Sluitring	8-M10 of W-3/8

■ **Ophanging van de CH-unit**

Haak de ophangbeugel aan de moer met sluitring van elke ophangbout, zoals hieronder weergegeven.
Controleer dat de moeren en sluitringen juist worden aangebracht op de sluitplaat van de ophangbeugel.

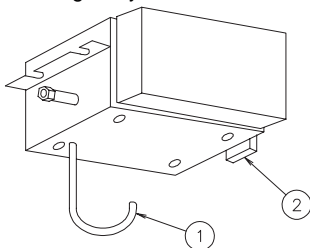


Nr.	Benaming
①	Ophangbout
②	Ophangbeugel

4.4.3. Aanpassen niveau van de CH-unit

■ Plaatsingswijze moeren.

Om een onjuiste werking van de unit te voorkomen controleert u het niveau van de unit met een waterpas in een doorzichtige vinylbuis met water.



Nr.	Benaming
①	Vinylslang
②	Niveaumeter

Draai de bouten van de ophangmoeren op de ophangbeugels na afstelling aan. Speciale plasticverf dient op de bouten aangebracht te worden om te voorkomen dat deze losraken

5. LEIDINGWERK KOELMIDDEL



GEVAAR:

Gebruik het koelmiddel R410A in de koelcyclus. Vul tijdens het uitvoeren van een test op lekkage of luchtdichtheid de koelcyclus niet aan met zuurstof, acetyleen of een ander brandbaar en giftig gas. Dit soort gasen is bijzonder gevaarlijk en kan leiden tot een explosie. Het is raadzaam om voor dit soort testen perslucht, stikstof of koelmiddel te gebruiken.

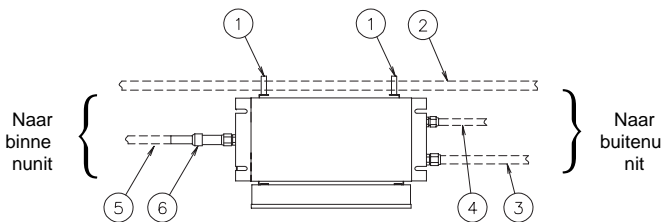
5.1. LEIDINGMATERIALEN

1. Prepareer lokaal geleverde koperen leidingen.
2. Selecteer schone koperen leidingen. Zorg ervoor dat binnenin geen stof of vocht aanwezig is. Voor het aansluiten van de leidingen dienen deze uitgeblazen te worden met stikstof of droge lucht om mogelijk stof of vreemde materialen te verwijderen.
3. Kies de leidingmaten uit de maattekening

5.2. AANSLUITING LEIDINGWERK

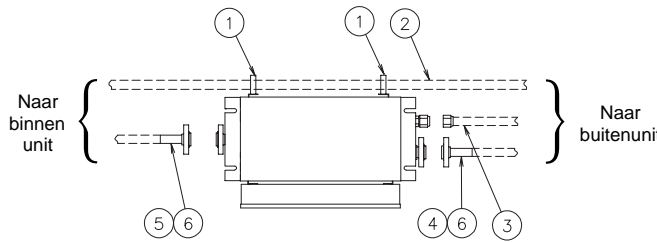
1. De plaats van de leidingaansluiting is weergegeven in de maattekening.
2. Sluit de accessoires aan zoals in het volgende schema wordt aangegeven:

■ CH-(4.0/8.0)NE



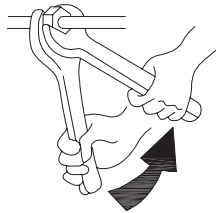
Nr.	Benaming
①	Binder voor buisbevestiging
②	Vloeistofleiding
③	Lage druk Gasleiding
④	Hoge druk Gasleiding
⑤	Gasleiding
⑥	Verloopstuk
=====	Externe koelmiddelleidingen

■ CH-12.0N



Nr.	Benaming
①	Binder voor buisbevestiging
②	Vloeistofleiding
③	Hoge druk Gasleiding
④	Lage druk Gasleiding
⑤	Gasleiding
⑥	Flensverbinding
=====	Externe koel-middelleidingen

3. Gebruik voor het aandraaien van de conische moer twee steeksleutels, zoals aangegeven in onderstaand figuur.



Pipe Size		Tightening Torque (N.m)
Ø6.35	(1/4)	2
Ø9.53	(3/8)	4
Ø12.7	(1/2)	6
Ø15.88	(5/8)	8
Ø19.05	(3/4)	10

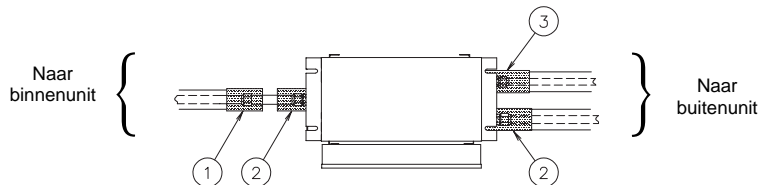
4. Sluit na het aansluiten van de koelmiddelleidingen deze leidingen af met de niet meegeleverde isolatiematerialen, zoals is weergegeven in onderstaand figuur.

Gebruik de meegeleverde buis met flens voor de aansluiting van de lagedrukgasleiding. De pakking bij de invoer van de gasleiding dient vervangen te worden door de pakking die met uw unit is meegeleverd.

(De thermische isolatie over de flensverbinding is niet meegeleverd.)

LET OP:

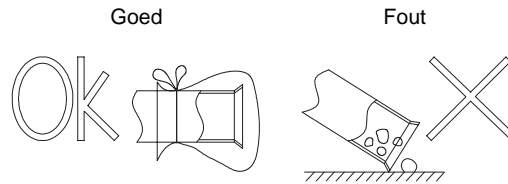
De meegeleverde flens dient vastgelast te worden aan de verbindingsleiding, voordat de klep kan worden aangesloten. Breng de pakking aan nadat de buis is gesoldeerd. Wees met name zorgvuldig met de verbindingsflens, zodat de pakking juist wordt aangebracht.



Nr.	Benaming	Opmerkingen
①	Isolatie	- Niet meegeleverd- CH-4.0NE
②	Isolatie	- Niet meegeleverd- CH-(4.0/8.0/12.0)NE
③	Isolatie	- Niet meegeleverd- CH-(4.0/8.0)NE - Meegeleverde accessoires CH-12.0N

**VOORZICHTIG:**

- Dop het buisuiteinde af wanneer de leiding door een gat geleid moet worden.
- Plaats geen buizen direct op de grond zonder een dop of vinyltape aan het uiteinde.
- Verwijder alle brandbare materialen rondom de units. Indien dit niet wordt gedaan, ontstaat hierdoor brand.

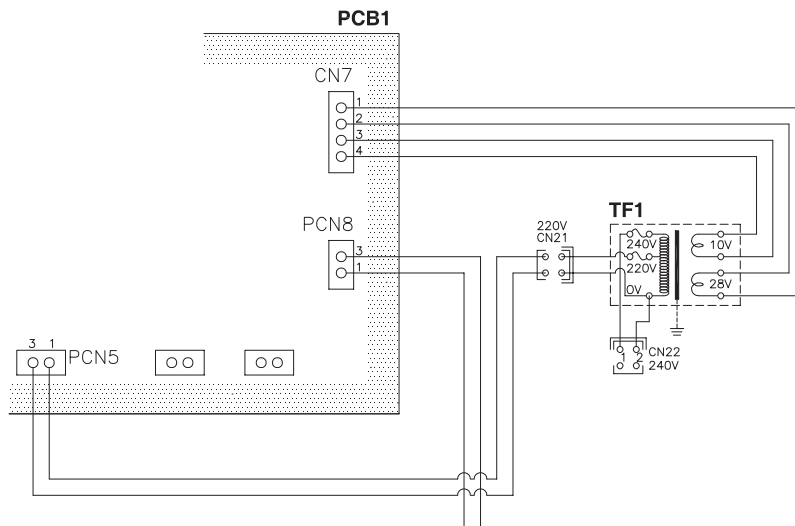


5. De procedures voor evacuatie en aanvullen van koelmiddel dienen te worden uitgevoerd volgens de "Installatie en Bedieningshandleiding" van de buitenunit.

6. ELEKTRISCHE BEDRADING

**WAARSCHUWING:**

- Schakel de hoofdstroomschakelaar voor de CH-unit, de binnenunit en de buitenunit uit, voordat elektrische bedradingwerkzaamheden of een periodieke controle worden uitgevoerd.
- Bescherm de bedrading, elektrische onderdelen etc. tegen ratten en ander ongedierte.
- Controleer onderstaand onderdeel, voordat de hoofdschakelaar wordt ingeschakeld. Bij een stroombron voor de binnenunit van 240V (nominale spanning) dient in plaats van de CN21 (connector) de CN22 van de transformator (TF1) gebruikt te worden in de elektrische kast, zoals hieronder weergegeven

**VOORZICHTIG:**

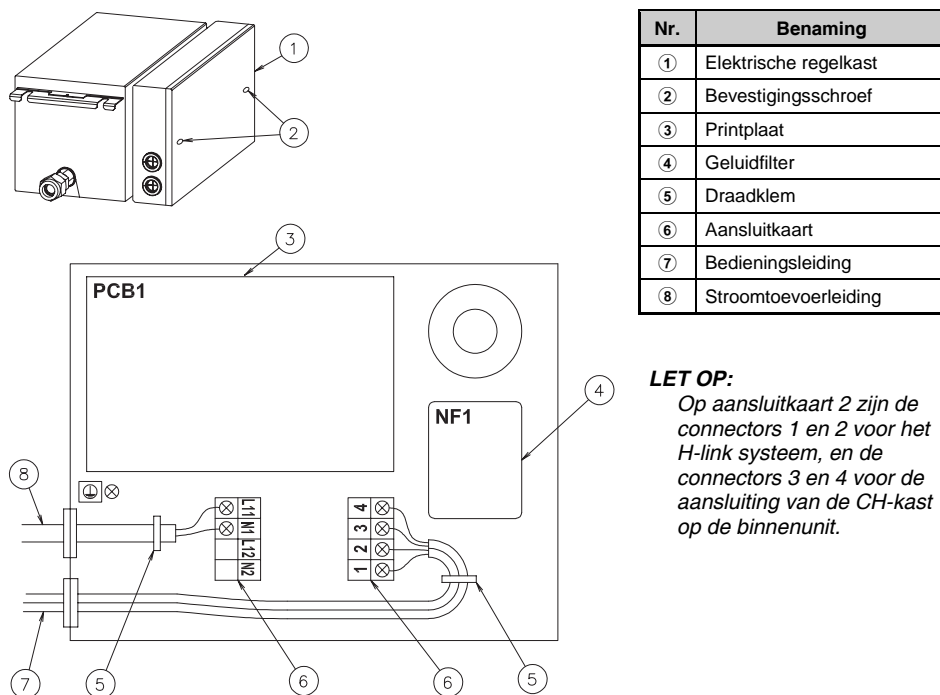
- Breng de meegeleverde pakking om de bedrading aan, en vul de sparing voor de bedradingverbinding op met afdichtend materiaal om het product te beschermen tegen mogelijk condenswater of insecten.
- Bevestig de bedrading stevig binnenin de elektrische kast met de snoerklem.

6.1. ALGEMENE CONTROLE

- Stel vast dat de niet meegeleverde elektrische onderdelen (hoofdstroomschakelaars, verbrekers, bedrading, leidingconnectors en draadklemmen) deugdelijk zijn geselecteerd volgens de elektrische gegevens die staan aangegeven in de Technische Catalogus. Stel vast dat de componenten voldoen aan de geldende normen voor elektrische installaties
- Controleer en stel vast dat de spanning van de stroomvoorziening niet meer afwijkt dan $\pm 10\%$ van de aangegeven spanning.
- Controleer de capaciteit van de stroombron; indien deze te laag is, kan het systeem wegens spanningsverlies niet worden gestart.
- Controleer dat de aardedraad goed is aangesloten.

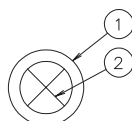
6.2. AANSLUITING ELEKTRISCHE BEDRADING

De aansluiting elektrische bedrading staat in onderstaand figuur weergegeven.



1. Schakel de hoofdstroomschakelaar UIT en haal de dekplaat van de elektrische kast van de CH-unit af.
2. Snij het midden van de rubberen ring in de sparing voor de bedradingaansluiting weg, zoals hieronder weergegeven.
3. Sluit de bedrading van de stroomtoevoer en de aarding aan op de aansluitpunten in de elektrische kast.
4. Sluit de bedrading van de bedieningsleiding aan op de aansluitpunten in de elektrische kast.

5. Klem de bedrading stevig vast binnenin de elektrische kast met de snoerklem.
6. Breng na de bedradingwerkzaamheden de dekplaat van de elektrische kast aan.

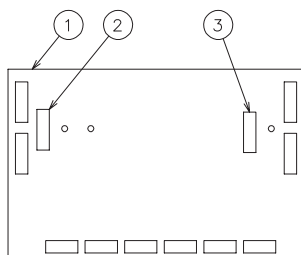


Nr.	Benaming
①	Rubberen ring
②	Snijd in het midden

6.3. INSTELLING MINISCHAKELAARS

■ Positie van de minischakelaars

De PCB1 in de elektrische kast van de CH-unit is uitgerust met twee typen minischakelaars (DSW2, DSW5), zoals weergegeven in onderstaand figuur.



Nr.	Benaming
①	PCB1
②	DSW5
③	DSW2

■ Instelling van de minischakelaars

De minischakelaars voorafgaand aan verzending ingesteld en hoeven ter plaatse niet ingesteld te worden. Deze worden gebruikt voor de zelfdiagnose van de PCB.

- Positie fabrieksinstelling (Minischakelaar)

- DSW5



- DSW2



LET OP:

Het "■" teken toont positie van de minischakelaars. Onderstaande figuren geven de fabrieksinstellingen voorafgaand aan verzending aan.



VOORZICHTIG:

Voordat de minischakelaars worden ingesteld, dient eerst de stroombron UITgeschakeld te worden; hierna kan de stand van de minischakelaar worden ingesteld. Indien de schakelaars worden ingesteld zonder dat de stroombron is UITgeschakeld, werken deze niet.

7. PROEFDRAAIEN

Een testcyclus moet uitgevoerd worden volgens de "Installatie & Bedieningshandleiding" van de buitenunit.



WAARSCHUWING:

Stel het systeem niet in werking voordat alle controlepunten zijn goedgekeurd.

- *Controleer en stel vast dat de elektrische weerstand meer dan 1MW is, door de weerstand tussen de aarde en de aansluitingspunten van de elektrische onderdelen te meten. Indien dit niet het geval is, stel het systeem dan niet in werking totdat de elektrische lekken zijn opgespoord en verholpen.*
- *Controleer en stel vast dat de open-dichtkleppen van de buitenunit volledig open staan en start dan het systeem.*
- *Controleer en stel vast dat de schakelaar op de stroombron al meer dan 12 uur AAN staat, om de compressorolie op te laten warmen door de olieverwarmer.*

Let op de volgende punten terwijl het systeem in bedrijf is.

- *Raak geen van de onderdelen aan de gasafvoorzijde met de hand aan aangezien de compressorkamer en de leidingen aan de afvoorzijde warmer worden dan 90°C.*
- *DRUK DE KNOP VAN DE MAGNETISCHE SCHAKELAAR(S) NIET IN. Dit zou een ernstig ongeluk veroorzaken.*

1. SÄKERHETSSUMMERING



VARNING:

- Utför ej installationsarbete, rördragning för köldmedium eller elektrisk kabeldragning utan att referera till vår installationshandbok.
- Kontrollera att jordningskabeln är säkert ansluten.
- Anslut en säkring med specificerad kapacitet.



FÖRSIKTIGHET:

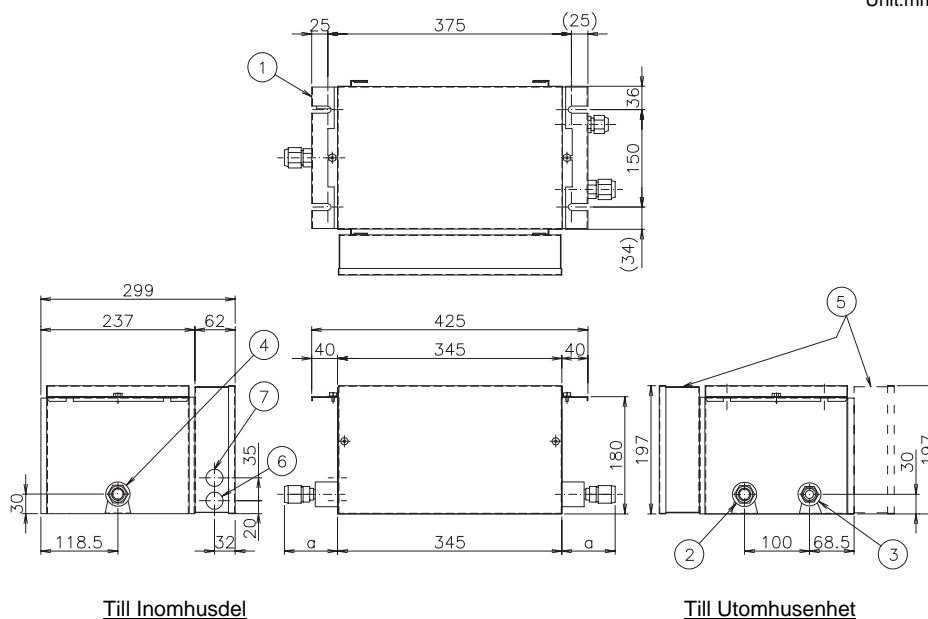
- Installera inte CH-enheten eller kabel inom uppskattningsvis 3 meter från element med stark elektromagnetisk strålning, såsom medicinsk utrustning.

2. STRUKTUR

DIMENSIONER DIMENSIONER

2.1.1. Modell: CH-Enhe CH-(4.0/8.0)NE

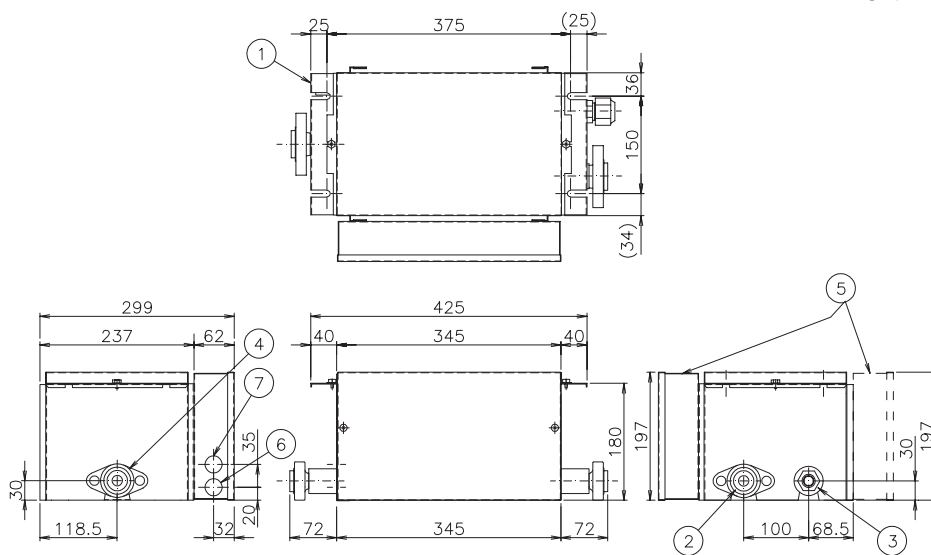
Unit:mm



Nr.	Namn	Anmärkningar	
		CH-4.0NE	CH-8.0NE
1	Upphångningskonsol	För M8 eller W5/16 Bult	
2	Röranslutning Gasköldmedium (Låg)	Ø15,88 Flare-anslutning	Ø19.05 Flare-anslutning
3	Röranslutning Gasköldmedium (Hög)	Ø12.7 Flare-anslutning	Ø15.88 Flare-anslutning
4	Anslutning Köldmedierör Gas	Ø15,88 Flare-anslutning	Ø19.05 Flare-anslutning
5	Elektrisk Kontrollbox	(Går att fästa på båda sidor)	
6	Hål för driftslinje	Ø26.5	
7	Hål för strömförsörjningslinje	Ø26.5	
Dimensioner		a	
		78mm	82mm

2.1.2. Modell: CH-Enhet CH-12.0N

Unit:mm



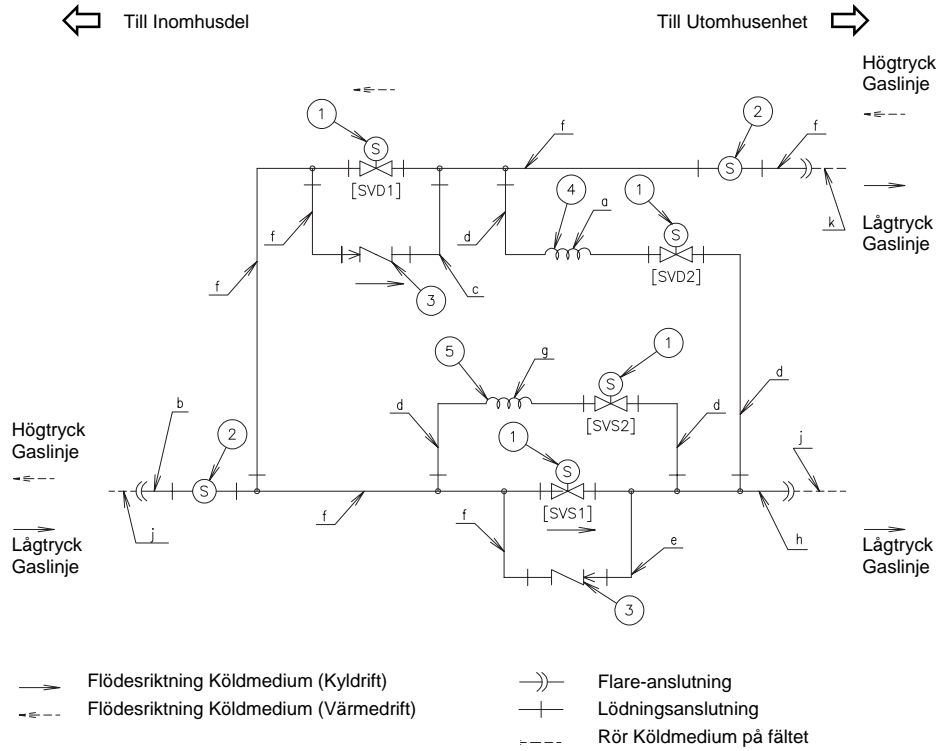
Till Inomhusdel

Till Utomhusenhet

Nr.	Namn	Anmärkning
		CH-12.0N
1	Upphångningskonsol	För M8 eller W5/16 Bult
2	Röranslutning Gasköldmedium (Låg)	Ø22.2 Flänsanslutning
3	Röranslutning Gasköldmedium (Hög)	Ø19.05 Flare-anslutning
4	Anslutning Köldmedierör Gas	Ø22.2 Flänsanslutning
5	Elektrisk Kontrollbox	(Går att fästa på båda sidor)
6	Hål för driftslinje	Ø26.5
7	Hål för strömförsörjningslinje	Ø26.5

2.2. KYLCYKEL

2.2.1. CH-Enhet (CH-4.0/8.0NE)



Nr.	Namn
1	Solenoidventil (AC)
2	Filter
3	Kontrollventil
4	Kapillär rör
5	Kapillär rör

Märke	Materialstorlek O.D.(mm) × tjocklek (mm)		Material
	CH-4.0NE	CH-8.0NE	
a	Ø2.5x0.7		Kopparrör C1220T-O
b	Ø12.7x1.0	Ø15.88x1.0	
c	Ø9.53x0.8	Ø12.7x1.0	
d	Ø6.35x1.07		
e	Ø9.53x0.8		
f	Ø12.7x1.0		
g	Ø4.0x0.8	Ø4.0x0.5	
h	Ø12.7x1.0	Ø15.88x1.2	
j	Ø15.88	Ø19.05	
k	Ø12.7	Ø15.88	

ANMÄRKNING:

Märkningen inom "[]" visas i diagrammet för den elektriska kabeldragningen.

2.3. NÖDVÄNDIGA VERKTYG OCH INSTRUMENT FÖR INSTALLATION

Nr.	Verktyg	Nr.	Verktyg
1	Handsåg	11	Skruvnyckel
2	Skruvmejsel	12	Laddningscylinder
3	Vakuumpump	13	Grenrör Mätare
4	Slang Köldmedium Gas	14	Avbitare för kablar
5	Megohmmeter	15	Detektor Gasläckage
6	Bockare Kopparrör	16	Vattenpass e. dyl.
7	Manuell Vattenpump	17	Klämma för Lödfria Terminaler
8	Rörkapare	18	Lyftanordning (för Inomhusdel)
9	Hårdlödningsutrustning	19	Amperemeter
10	Sexkantsnyckel	20	Voltmeter

3. TRANSPORT OCH HANDHAVANDE

Transportera produkten så nära installationsplatsen som möjligt innan uppäckning sker

**VARNING:**

Placera ej främmande material inuti CH-Enheten och kontrollera att det inte heller förekommer i Utomhusdelen innan installation och testkörning. I annat fall kan eldsvåda eller fel uppstå.

**FÖRSIKTIGHET:**

Placera ej någon typ av material på produkten.
Var noga med att inte skada isoleringsmaterialen på enheten vid lyft.

3.1. KOMBINATION CH-ENHET OCH INOMHUSDEL

CH-Enheten installeras inomhus för SET-FREE FXN(E) system, mellan Inomhusdelen och Utomhusdelen. Kombinationen av CH-Enhet och Inomhusdel är som följande.

Modell	Antal Inomhusdelar	Total Inomhuskapacitet (HP)
CH-4.0NE	1 till 5	Mindre än 4.0 (exklusive 4.0)
CH-8.0NE	1 till 8	4.0–8.0 (inklusive 4.0 och exklusive 5.0)
CH-12.0N	1 till 5	8.0–12.0 (inklusive 8.0 och inklusive 12.0)

4. INSTALLATION CH-ENHET

**FARA:**

För att undvika eldsvåda eller explosion undvik att installera Inomhusdelen i brandfarliga omgivningar.

**VARNING:**


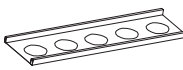
Kontrollera att innertaket är tillräckligt starkt.

Installera ej CH-Enheter utomhus. Installera ej CH-Enheter utomhus. Installerad utomhus kommer fara för elektrisk chock att förekomma.


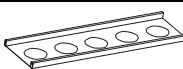
4.1. MEDFÖLJANDE TILLBEHÖR

Kontrollera att följande tillbehör medföljer CH-Enheter.



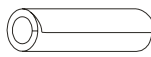
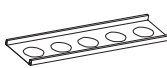

■ Medföljande tillbehör - För CH-4.0NE.

Tillbehör		Antal	Ändamål
Övergångsrör $\varnothing 15.88$ till $\varnothing 12.7$		1	För anslutning av $\varnothing 12.7$ vätskekanal på Inomhusdel
Fästband för rör		2	För fästning av kylgasrör

■ Medföljande tillbehör - För CH-8.0NE.

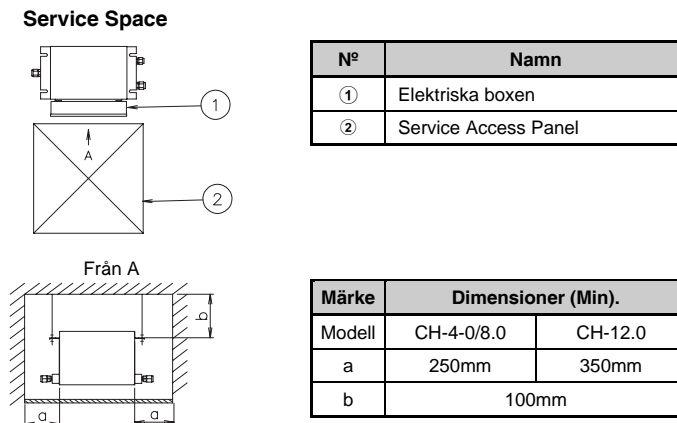
Tillbehör		Antal	Ändamål
Övergångsrör $\varnothing 19.05$ till $\varnothing 15.88$		1	För anslutning av $\varnothing 15.88$ vätskekanal på Inomhusdel
Fästband för rör		2	För fästning av kylgasrör

■ Medföljande tillbehör - För CH-12.0N.

Tillbehör		Antal	Ändamål
Storlek Flänsrör ($\varnothing 22.2$)		2	För Gasrör (Hög) från Utomhusdel
Packning Flänsrör		2	Tätning Flänsrör
Isolering ($\varnothing 38$ ID)		1	För anslutning Köldmediekanal
Fästband för rör		2	För fästning av kylgasrör
Fästband		8	För fixering av Isolering på Köldmediekanal

4.2. INLEDANDE KONTROLL

4.2.1. Installera CH-Enheten med nödvändigt omgivande utrymme för underhållsarbete som visas i figuren nedan:



4.2.2. Ett strömmande ljud av köldmedium kan höras från CH-Enheten när solenoidventilen är aktiverad. För att minimera ljudet utför följande åtgärder.

- Installera CH-Enheten under innertaket. Välj ett material på innertaket, som t ex. gipsskivor, för att minimera driftsljud.
- Installera ej CH-Enheten nära sovrum eller sjukhussalar.
- Installera ej CH-Enheten på ett varmt eller fuktigt ställe, som t ex. ett kök, för att undvika kondensation på utsidan av CH-Enheten.

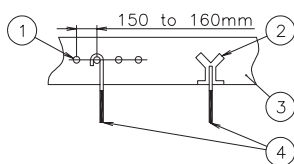
4.2.3. Uppmärksamma följande punkter när CH-Enheten installeras i ett sjukhus eller andra inrättningar där det förekommer elektrisk strålning från medicinsk utrustning.

- Installera ej CH-Enheten där den elektriska boxen eller kablar (driftslinjen) utsätts för direkt elektromagnetisk strålning.
- Installera CH-Enheten så långt som praktiskt möjligt, eller minst 3 meter, från elektromagnetisk strålningskälla.
- Installera ett ljudfilter när strömförsörjningen avger skadligt buller.

UPPHÄNGNINGSBULTAR

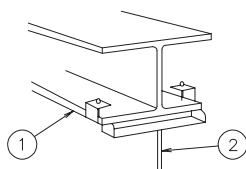
- Välj slutlig plats och installationsriktning för inomhusdelen med stor uppmärksamhet på utrymmen för rördragning, kabeldragning och servicearbeten.
- Montera upphängningsbultar som visas nedan:

- För Betongplatta:



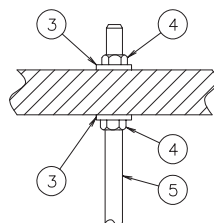
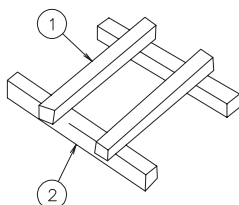
Nr.	Namn
①	Stål
②	För in (100 till 150 kg)
③	Betong
④	Lås-bult (W3/8 eller M10)

- For Steel Beam:



Nr.	Namn
①	I Balk
②	Bärande bolt (W3/8 eller M10)

- För upphängning Träbalk:



Nr.	Namn
①	Träregel (60~90mm)
②	Träbalk
③	Fyrkantsbrickor
④	Muttrar
⑤	Bärande bolt (W3/8 eller M10)

4.3. INSTALLATION

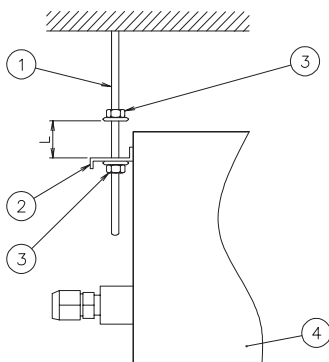
4.3.1. Märkning av positioner för Upphängningsbultar och Röranslutningar

- Märk position för Upphängningsbultar, anslutningar för köldmediekanaler och dränageanslutning.
- Se installationsmått i kapitel 2.1.

4.3.2. Montera CH-Enheten

■ **Fästning av muttrar**

Innan upphängning av CH-Enheten, placera muttrar på var och en av upphängningsbultarna som visas nedan



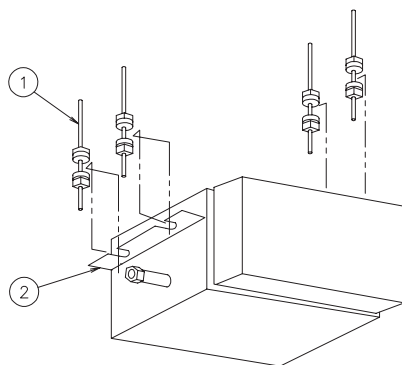
Nr.	Namn
①	Bärande bolt
②	Upphängningskonsol
③	Mutter och Bricka (Medföljer ej.)
④	CH-Box

Märke	Dimensioner
L	30-50mm

Ej medföljande delar	CH-(4.0/8.0/12.0)N(E)
Upphängningsbultar	4-M10 eller W-3/8
Mutter	8-M10 eller W-3/8
Bricka	8-M10 eller W-3/8

■ **Upphängning CH-Enheten**

Haka på upphängningskonsolen på muttern och brickan på varje upphängningsbult som visas nedan. Kontrollera att muttrar och brickor är korrekt fixerade av låsplattorna på upphängningskonsolerna.

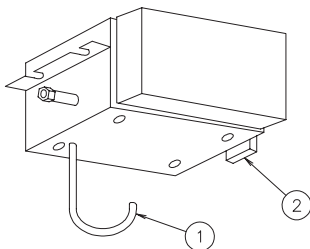


Nr.	Namn
①	Bärande bolt
②	Upphängningskonsol

4.3.3. Justering av nivån på enheten

■ Fästning av muttrar

Kontrollera enhetens nivå med ett vattenpass i genomskinligt vinylrör fyllt med vatten för att undvika felaktig drift.



Nr.	Namn
①	Plastslang
②	Nivåskala

När justeringen är färdig, dra åt bultarna på upphängningsmuttrarna med upphängningskonsolen. Speciell plastfärg måste appliceras på bultarna för att förhindra att de lossnar.

5. RÖRDRAGNING KÖLDMEDIUM

**FARA:**

Använd Köldmedium R410A i kylcykeln. Ladda ej syre, acetylen eller andra brandfarliga eller giftiga gaser i kylcykeln vid utförande av läckage- eller lufttättest. Dessa typer gaser är extremt farliga och kan orsaka explosion. Det rekommenderas att komprimerad luft, kväve eller köldmedium används för dessa typer av test.

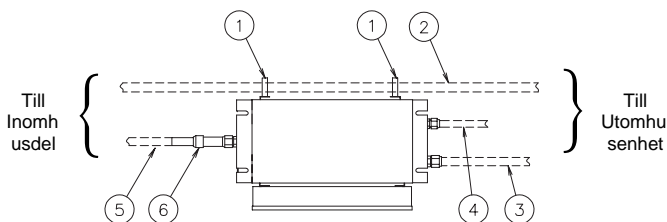
5.1. RÖRMATERIAL

1. Förbered lokalt tillhandahållna kopparrör.
2. Välj rena kopparrör. Försäkra att det inte finns smuts eller fukt på insidan. Före anslutning av rör, rengör insidan från smuts och främmande föremål med kväve eller torr luft.
3. Välj rörstorlek från dimensionsritning

5.2. RÖRANSLUTNING RÖRANSLUTNING

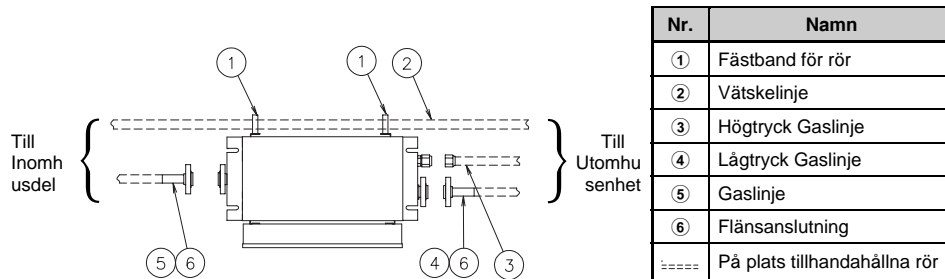
1. Position för röranslutning visas i dimensionsritning.
2. Anslut tillbehören enligt schemat nedan:.

■ CH-(4.0/8.0)NE

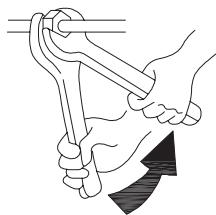


Nr.	Namn
①	Fästband för rör
②	Vätskelinje
③	Lågtryck Gaslinje
④	Högtryck Gaslinje
⑤	Gaslinje
⑥	Övergångsrör
=====	På plats tillhandahållna rör

■ CH-12.0N



3. Använd två skiftnycklar vid åtdragning av flaremuttern som visar i figuren nedan.

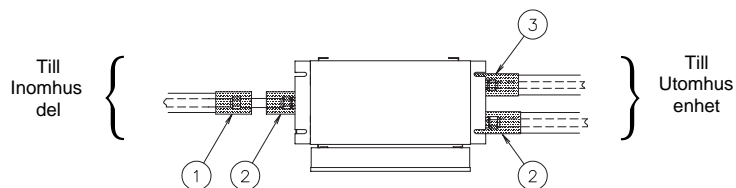


Rörstorlek		Åtdragningsmoment (N.m)
Ø6.35	(1/4)	2
Ø9.53	(3/8)	4
Ø12.7	(1/2)	6
Ø15.88	(5/8)	8
Ø19.05	(3/4)	10

4. Efter anslutning av köldmediekanaler, försegla dem med det medföljer ej isoleringsmaterialet som visas i figuren nedan.
 Använd medföljande rör med en fläns för att ansluta lågtryckskanalen för gas. Packningen vid enhetens ingång för gaskanalen ska bytas ut mot den som medföljer din enhet.
 Termisk isolering över flänsanslutningen bör tillhandahållas på fältet.)

ANMÄRKNING:

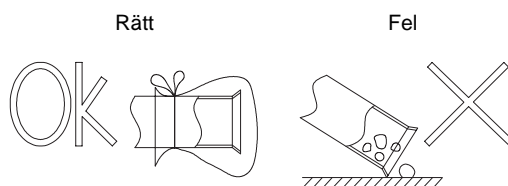
Den medföljande flänsen bör svetsas till anslutningsröret innan ventilen ansluts. Montera packningen efter hårdlödning av röret. Var extra försiktig vid anslutning av fläns så att packningen hamnar rätt.



No	Description	Remarks
①	Isolering	- Pmedföljer – CH-4.0NE
②	Isolering	- Pmedföljer – CH-(4.0/8.0/12.0)NE
③	Isolering	- Pmedföljer – CH-(4.0/8.0)NE - Medföljande tillbehör CH-12.0N

**FÖRSIKTIGHET:**

- Sätt lock på röränden när röret ska föras genom ett hål.
- Ställ inte rör direkt mot golvet utan lock eller plasttejp på röränden.
- Avlägsna alla brandfarliga material runt enheterna. Om inte, kommer brand att uppstå.

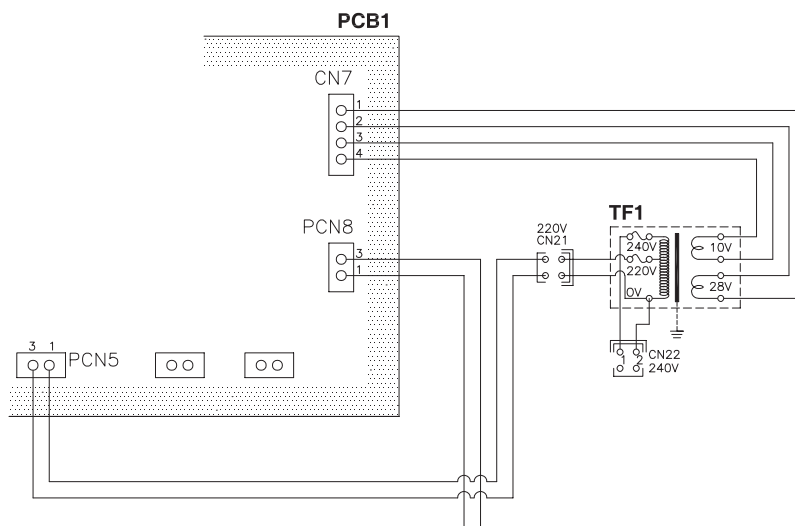


5. Tömnings- och laddningsprocedurer av köldmedium bör utföras enligt "Installations- och Driftshandbok" för utomhusdelen.

6. ELEKTRISK KABELDRAGNING

**VARNING:**

- Slå AV huvudströmbrytaren på CH-Enheten, inomhusdelen och utomhusdelen innan arbete med elektrisk kabeldragning eller periodiskt underhåll utförs.
- Skydda kablar, elektriska delar, etc. från råttor eller andra skadedjur.
- Kontrollera följande artiklar innan huvudströmbrytaren slås PÅ.
Om strömkällan för inomhusdelen ger 240V (nominellt voltal), ändra CN21 (anslutningsdon) till CN22 på transformatorn (TF1) i den elektriska kontrollboxen som visas nedan

**FÖRSIKTIGHET:**

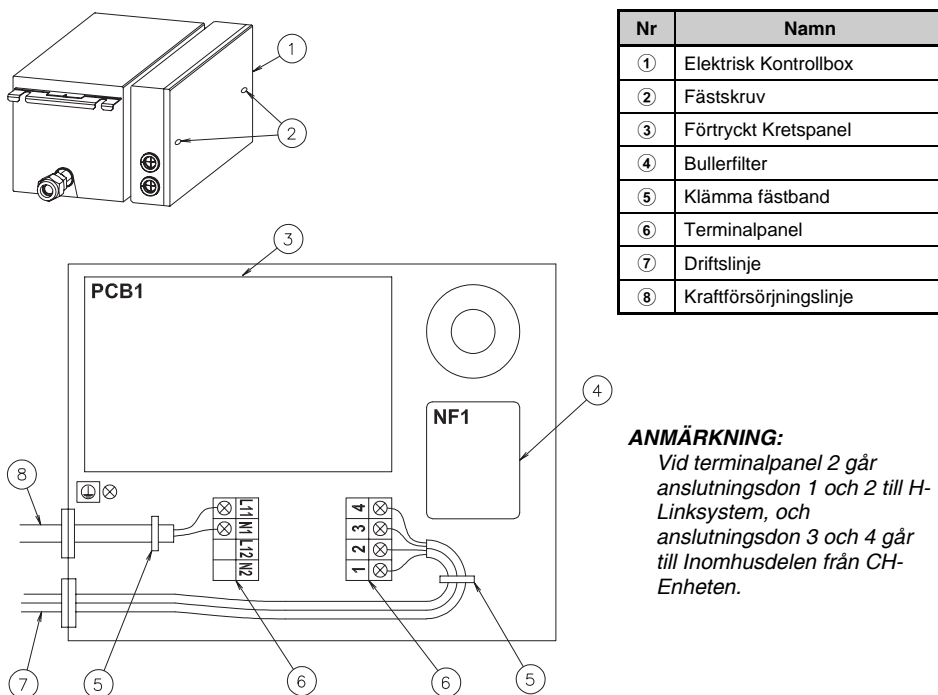
- Linda tillbehörens packmaterial runt kablarna och plugga kablarnas anslutningshål med tätningmaterialet för att skydda produkten från insekter och vattenkondens.
- Säkra kablarna ordentligt med fästbandet i kabelklämman i den elektriska boxen.

6.1. ALLMÄN KONTROLL

- Kontrollera att det på fältet utvalda elektriska komponenterna (huvudströmbrytare, kretsbytare, kablar, anslutningsdon rörledningar och kabelterminaler) har valts ut korrekt enligt de elektriska data som indikeras i den Tekniska Katalogen. Försäkra er om att komponenterna rättar sig efter National Electrical code (NEC)
- Kontrollera att volttalet på kraftförsörjningen ligger inom $\pm 10\%$ av klassat volttalet.
- Kontrollera att kraftkällans kapacitet inte är för låg, vilket gör att systemet inte kan startas på grund av spänningsfallet.
- Kontrollera att jordningskabeln är ansluten.

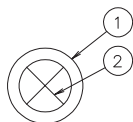
6.2. ANSLUTNING ELEKTRISK KABELDRAGNING

Anslutningen av den elektriska kabeldragningen visas i figuren nedan.



1. Slå AV huvudströmbrytaren och avlägsna locket på CH-Enhetsens elektriska box.
2. Skär ut centrum på gummibussningen i hålet för kabelanslutningen som visas nedan.
3. Anslut kraftförsörjnings- och jordningskablarna till terminalerna i den elektriska boxen.
4. Anslut kablarna från driftslinjen till terminalerna i den elektriska boxen.

5. Surra ihop kablarna ordentligt med kabelklämman inuti den elektriska boxen.
6. Fäst locket på den elektriska boxen efter kabelarbete.

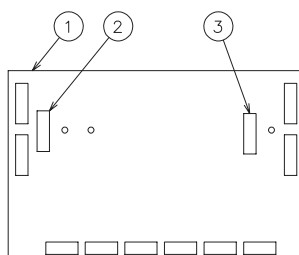


Nr	Namn
①	Gummibussning
②	Skär inuti

6.3. INSTÄLLNING AV DIP-OMKOPPLARE

■ Position på DIP-omkopplare

PCB1 i den elektriska boxen är utrustad med 2 typer av DIP-omkopplare (DSW2, DSW5) som visas i figuren nedan.



Nr	Namn
①	PCB1
②	DSW5
③	DSW2

■ Inställning av DIP-omkopplare

DIP-omkopplare är inställda vid leverans och inga inställningar på fältet är nödvändiga. Dessa används för självdiagnos av PCB.

Position Fabriksinställning (DIP-omkopplare)

- DSW5



- DSW2



ANMÄRKNING:

Märket "■" indikerar position på DIP-omkopplare. Figureerna ovan visar inställning innan leverans.



FÖRSIKTIGHET:

Innan inställning av DIP-omkopplare utförs stäng AV strömförsörjningen och ställ sedan in DIP-omkopplare. Om omkopplarna ställs in utan att strömkällan stängs AV kan inte omkopplarna fungera korrekt.

7. TESTKÖRNING

Testkörning bör utföras enligt "Installations- och Driftshandboken" för utomhusdelen.



VARNING:

Ta inte systemet i drift innan alla kontrollpunkter har godkänts.

- *Kontrollera att den elektriska resistensen är mer än 1M Ω , genom att mäta resistensen mellan jord och terminalen med de elektriska delarna. Om inte, ta inte systemet i drift innan det elektriska läckaget lokaliserats och reparerats.*
- *Kontrollera att stoppventilerna på utomhusdelen är helt öppna och starta därefter systemet.*
- *Kontrollera att omkopplaren för huvudströmkällan har varit PÅ i minst 12 timmar för att värma upp oljan i kompressorn med oljevärmaren.*

Uppmärksamma följande punkter medan systemet är i drift.

- *Rör ej med handen någon av delarna på gasurladdningssidan då kompressorkammaren och kanalerna på urladdningssidan hettas upp till över 90°C.*
- *TRYCK EJ PÅ KNAPPEN PÅ MAGNETOMKOPPLAREN(ARNA). Det kommer att orsaka en allvarlig olycka.*

1. ΣΥΝΟΨΗ ΑΣΦΑΛΕΙΑΣ



ΠΡΟΕΙΔΟΠΟΙΗΣΗ:

- Μην εκτελείτε καμία εργασία εγκατάστασης, καμία εργασία με τους αγωγούς του ψυκτικού μέσου και καμία εργασία ηλεκτρικής καλωδίωσης χωρίς να ανατρέξετε στο εγχειρίδιο εγκατάστασης.
- Ελέγξτε ότι το καλώδιο της γείωσης έχει συνδεθεί με ασφάλεια.
- Συνδέστε μια ασφάλεια συγκεκριμένης χωρητικότητας.



ΠΡΟΣΟΧΗ:

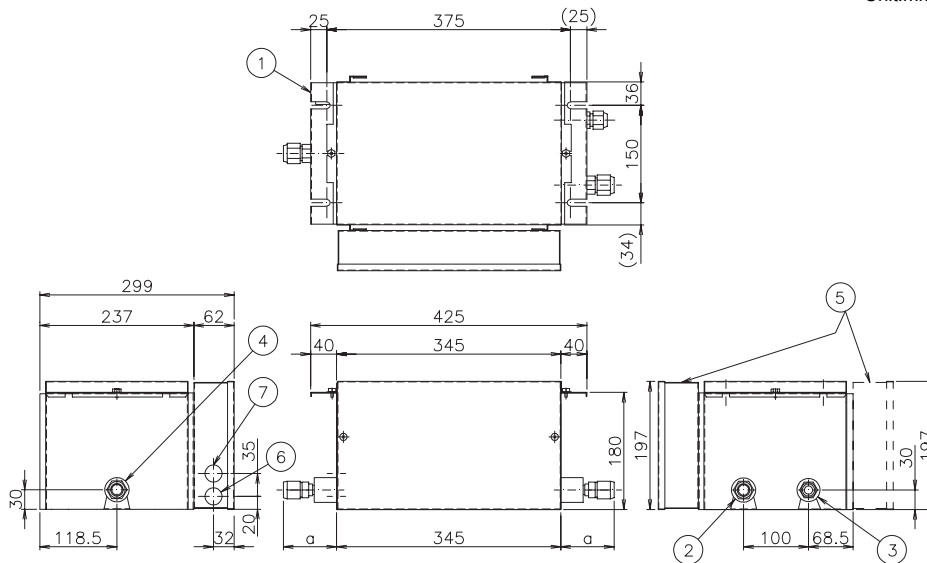
- Μην εγκαθιστάτε τη μονάδα και το καλώδιο σε απόσταση περίπου 3 μέτρων από ισχυρές πηγές ηλεκτρομαγνητικής ακτινοβολίας, όπως είναι ο ιατρικός εξοπλισμός.

2. ΔΟΜΗ

2.1. ΔΙΑΣΤΑΣΕΙΣ

2.1.1. Μοντέλο: Μονάδα CH(4.0/8.0)NE

Unit:mm



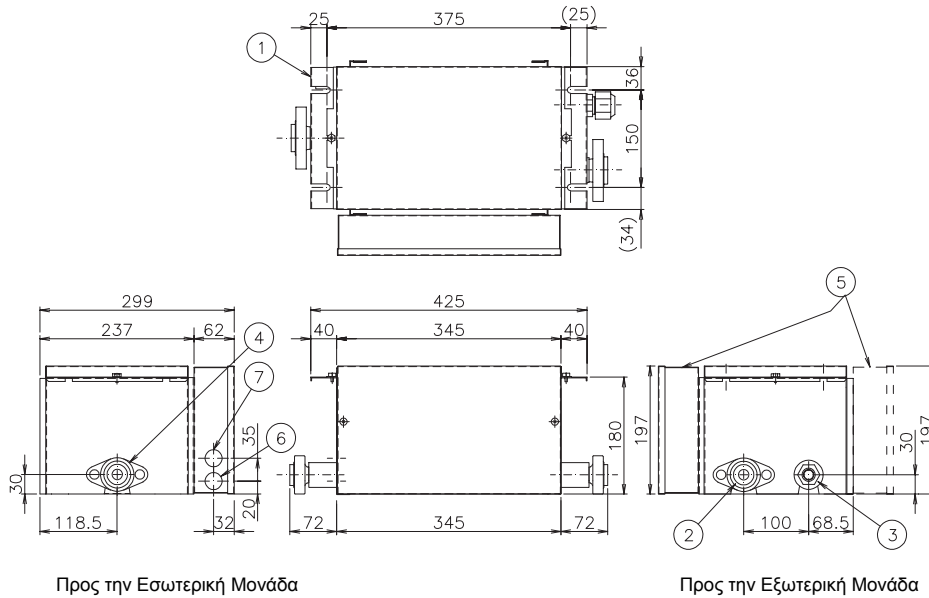
Προς την Εσωτερική Μονάδα

Προς την Εξωτερική Μονάδα

Τύπος	Ονομασία	Παρατηρήσεις	
		CH-4.0NE	CH-8.0NE
1	Βάση Ανάρτησης	για Μπουλόνια M8 ή W5/16	
2	Σύνδεσμος Αγωγού Αέριου Ψυκτικού Μέσου (Χαμηλής Πίεσης)	Σύνδεσμος Διεύρυνσης Ø15.88	Σύνδεσμος Διεύρυνσης Ø19.05
3	Σύνδεσμος Αγωγού Αέριου Ψυκτικού Μέσου (Υψηλής Πίεσης)	Σύνδεσμος Διεύρυνσης Ø12.7	Σύνδεσμος Διεύρυνσης Ø15.88
4	Σύνδεσμος Αγωγού Υγρού Ψυκτικού Μέσου	Σύνδεσμος Διεύρυνσης Ø15.88	Σύνδεσμος Διεύρυνσης Ø19.05
5	Ηλεκτρικό Κιβώτιο Ελέγχου	(Μπορεί να στερεωθεί και στις δύο πλευρές)	
6	Οπή για τη Γραμμή λειτουργίας	Ø26.5	
7	Οπή για τη Γραμμή τροφοδοσίας ρεύματος	Ø26.5	
ΔΙΑΣΤΑΣΕΙΣ		a	a
		78mm	82mm

2.1.2. Μοντέλο: Μονάδα CH-12.0N

Unit:mm



Προς την Εσωτερική Μονάδα

Προς την Εξωτερική Μονάδα

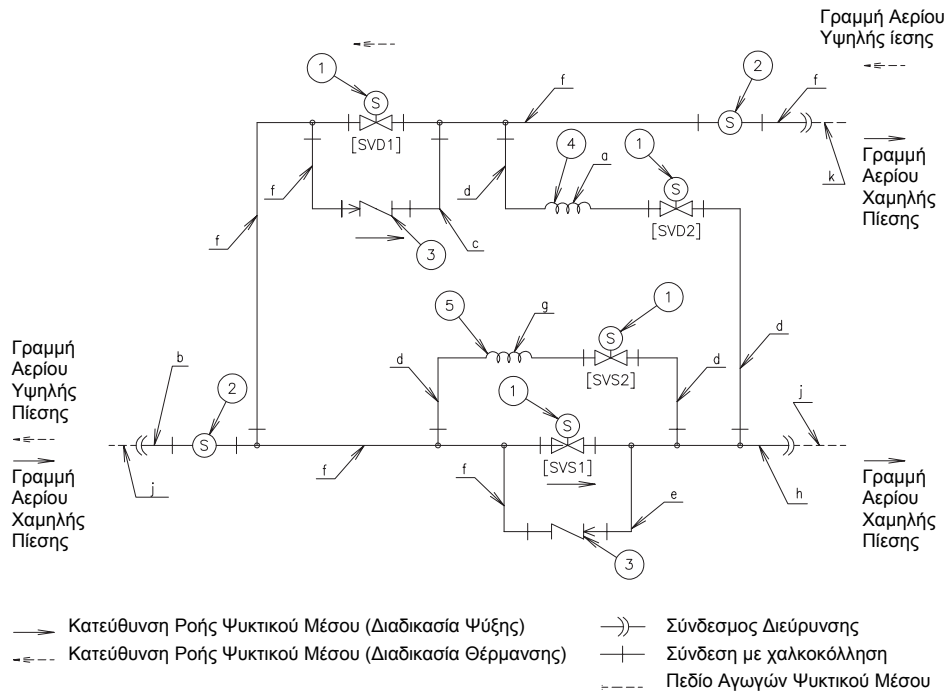
Τύπος	Όνομασία	Παρατηρήσεις
		CH-12.0N
1	Βάση Ανάρτησης	για Μπουλόνια M8 ή W5/16
2	Σύνδεσμος Αγωγού Αέριου Ψυκτικού Μέσου (Χαμηλής Πίεσης)	∅22.2 Σύνδεσμος Διεύρυνσης
3	Σύνδεσμος Αγωγού Αέριου Ψυκτικού Μέσου (Υψηλής Πίεσης)	∅19.05 Σύνδεσμος Διεύρυνσης
4	Σύνδεσμος Αγωγού Υγρού Ψυκτικού Μέσου	∅22.2 Σύνδεσμος Διεύρυνσης
5	Ηλεκτρικό Κιβώτιο Ελέγχου	(Μπορεί να στερεωθεί και στις δύο πλευρές)
6	Οπή για τη Γραμμή λειτουργίας	∅26.5
7	Οπή για τη Γραμμή τροφοδοσίας ρεύματος	∅26.5

2.2. ΚΥΚΛΟΣ ΤΟΥ ΨΥΚΤΙΚΟΥ ΜΕΣΟΥ

2.2.1. Μονάδα CH (CH-4.0/8.0NE)

← Προς την Εσωτερική Μονάδα

Προς την Εξωτερική Μονάδα →



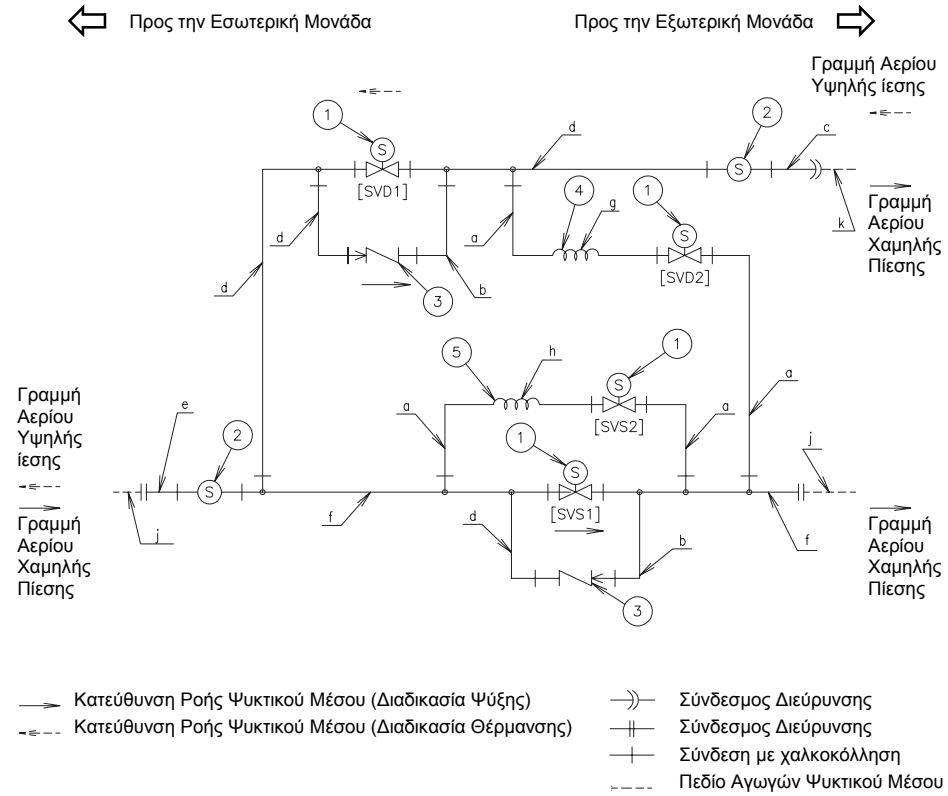
Τύπος	Ονομασία Εξαρτήματος
1	Σωληνοειδής Βαλβίδα (AC)
2	Φίλτρο
3	Βαλβίδα Ελέγχου
4	Τριχοειδής Σωλήνας
5	Τριχοειδής Σωλήνας

Τύπος	Μέγεθος Υλικού O.D.(mm) × πάχος (mm)		Υλικό
	CH-4.0NE	CH-8.0NE	
a	∅2.5x0.7		Χάλκινος Σωλήνας C1220T-O
b	∅12.7x1.0	∅15.88x1.0	
c	∅9.53x0.8	∅12.7x1.0	
d	∅6.35x1.07		
e	∅9.53x0.8		
f	∅12.7x1.0		
g	∅4.0x0.8	∅4.0x0.5	
h	∅12.7x1.0	∅15.88x1.2	
j	∅15.88	∅19.05	
k	∅12.7	∅15.88	

ΣΗΜΕΙΩΣΗ:

Το σημάδι του εσωτερικού "Π" φαίνεται στο διάγραμμα ηλεκτρικής καλωδίωσης

2.2.2. Μονάδα CH-12.0N



Τύπος	Ονομασία Εξαρτήματος
1	Σωληνοειδής Βαλβίδα (AC)
2	Φίλτρο
3	Βαλβίδα Ελέγχου
4	Τριχοειδής Σωλήνας
5	Τριχοειδής Σωλήνας

Τύπος	Μέγεθος Υλικού O.D.(mm) x πάχος (mm)	Υλικό
a	∅6.35 x 1.07	Χάλκινος Σωλήνας C1220T-O
b	∅12.7 x 1.0	
c	∅15.88 x 1.0	
d	∅15.88 x 1.2	
e	∅19.05 x 1.2	
f	∅19.05 x 1.65	
g	∅3.0 x 0.8	
h	∅4.0 x 0.5	
j	∅22.2	
k	∅19.05	

ΣΗΜΕΙΩΣΗ:

Το σημάδι του εσωτερικού "Π" φαίνεται στο διάγραμμα ηλεκτρικής καλωδίωσης

2.3. ΑΠΑΡΑΙΤΗΤΑ ΕΡΓΑΛΕΙΑ ΚΑΙ ΚΑΤΑΛΟΓΟΣ ΕΡΓΑΛΕΙΩΝ ΓΙΑ ΤΗΝ ΕΓΚΑΤΑΣΤΑΣΗ

Αρ.	Εργαλείο	Αρ.	Εργαλείο
1	Πριόνι χειρός	11	Κλειδί
2	Κατσαβίδι Phillips	12	Κύλινδρος Φόρτισης
3	Αντλία Κενού	13	Πιεζόμετρο στους κύριους αγωγούς διανομής
4	Εύκαμπτος Σωλήνας για Αέριο Ψυκτικό Μέσο	14	Κόφτης για Καλώδια
5	Μεγγώμετρο	15	Ανιχνευτής Διαρροής Αερίου
6	Καμπήρας Χάλκινου Σωλήνα	16	Ισοπεδωτής
7	Χειροκίνητη Αντλία Νερού	17	Σφιγκτήρας για Τερματικά χωρίς Συγκόλληση
8	Σωληνοκόφτης	18	Ανυψωτήρας (για την Εσωτερική Μονάδα)
9	Κιτ Συγκόλλησης εν θερμώ	19	Αμπερόμετρο
10	Εξαγωνικό Κλειδί	20	Βολτόμετρο

3. ΜΕΤΑΦΟΡΑ ΚΑΙ ΔΙΑΧΕΙΡΙΣΗ

Μεταφέρετε το προϊόν όσο πιο κοντά γίνεται στην τοποθεσία εγκατάστασης, πριν το ξεπακετάρετε.



ΠΡΟΕΙΔΟΠΟΙΗΣΗ:

Μη τοποθετείτε ξένα υλικά στη μονάδα CH και ελέγξτε για να βεβαιωθείτε ότι δεν υπάρχουν ξένα υλικά στην εξωτερική μονάδα, πριν την εγκατάσταση και πριν κάνετε κάποια δοκιμή. Διαφορετικά μπορεί να συμβεί κάποια φωτιά ή διακοπή κτλ.



ΠΡΟΣΟΧΗ:

Μην τοποθετείτε οποιοδήποτε υλικό επάνω στο προϊόν. Κατά την ανύψωση, προσέξτε μην προκαλέσετε κάποια ζημιά στο μονωτικό υλικό ή στην επιφάνεια της μονάδας.

3.1. ΣΥΝΔΥΑΣΜΟΣ ΤΗΣ ΜΟΝΑΔΑΣ CH ΚΑΙ ΤΗΣ ΕΣΩΤΕΡΙΚΗΣ ΜΟΝΑΔΑΣ

Η μονάδα CH εγκαθίσταται σε κλειστό χώρο για το σύστημα SET-FREE FXN(E), ανάμεσα στην εξωτερική και την εσωτερική μονάδα. Ο συνδυασμός της Μονάδας CH και της Εσωτερικής Μονάδας γίνεται όπως παρακάτω.

Μοντέλο	Ποσότητα Εσωτερικών Μονάδων	Συνολική Δυνατότητα Εσωτερικής Μονάδας (HP)
CH-4.0NE	1 έως 5	Μικρότερη από 4.0 (εκτός από 4.0)
CH-8.0NE	1 έως 8	4.0~8.0 (i συμπεριλαμβανομένης της τιμής 4.0 εκτός από 8.0)
CH-12.0N	1 έως 5	8.0~12.0 (συμπεριλαμβανομένης της τιμής 8.0 συμπεριλαμβανομένης της τιμής 12.0)

4. ΕΓΚΑΤΑΣΤΑΣΗ ΤΗΣ ΜΟΝΑΔΑΣ CH


ΚΙΝΔΥΝΟΣ:

Μην εγκαθιστάτε την Εσωτερική Μονάδα σε εύφλεκτο περιβάλλον, για την αποφυγή πυρκαϊάς ή έκρηξης.


ΠΡΟΕΙΔΟΠΟΙΗΣΗ:

Ελέγξτε για να βεβαιωθείτε ότι η πλάκα της οροφής είναι αρκετά σταθερή.

Μην εγκαθιστάτε την Μονάδα CH σε εξωτερικό χώρο, υπάρχει κίνδυνος ηλεκτρικής διαρροής.

4.1. ΕΞΑΡΤΗΜΑΤΑ ΠΟΥ ΠΑΡΕΧΟΝΤΑΙ ΑΠΟ ΤΟ ΕΡΓΟΣΤΑΣΙΟ

Ελέγξτε για να βεβαιωθείτε ότι τα παρακάτω εξαρτήματα είναι συσκευασμένα μαζί με τη Μονάδα CH.

■ Εξαρτήματα που παρέχονται από το Εργοστάσιο - για το CH-4.0NE.

Εξάρτημα	Ποσό-τητα	Σκοπός
Μειωτήρα ($\varnothing 15.88$ έως $\varnothing 12.7$)	1	Για τη Σύνδεση του $\varnothing 12.7$ αγωγού για υγρό της Εσωτερικής Μονάδας
Σφιγκτήρας στερέωσης σωλήνα	2	Για τη στερέωση σωλήνα υγρού

■ Εξαρτήματα που παρέχονται από το Εργοστάσιο - για το CH-8.0NE.

Εξάρτημα	Ποσό-τητα	Σκοπός
Μειωτήρα ($\varnothing 19.05$ έως $\varnothing 15.88$)	1	Για τη Σύνδεση του $\varnothing 15.88$ αγωγού για υγρό της Εσωτερικής Μονάδας
Σφιγκτήρας στερέωσης σωλήνα	2	Για τη στερέωση σωλήνα υγρού

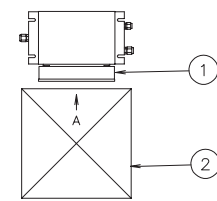
■ Εξαρτήματα που παρέχονται από το Εργοστάσιο - για το CH-12.0N.

Εξάρτημα	Ποσό-τητα	Σκοπός
Σωλήνωση φλάντζας μεγέθους ($\varnothing 22.2$)	2	Για τους Αγωγούς Αερίου (Υψηλής Πίεσης) από την Εξωτερική Μονάδα
Παρέμβυσμα για τη φλάντζα	2	Τσιμούχα Φλάντζας
Μόνωση ($\varnothing 38$ ID)	1	Για τη Σύνδεση των Αγωγών του Ψυκτικού Μέσου
Σφιγκτήρας στερέωσης σωλήνα	2	Για τη στερέωση σωλήνα υγρού
Ιμάντας	8	Για τη στερέωση της Μόνωσης των Αγωγών του Ψυκτικού Μέσου

4.2. ΑΡΧΙΚΟΣ ΕΛΕΓΧΟΣ

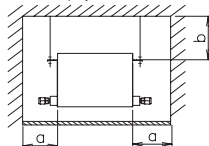
4.2.1. Εγκαταστήστε τη μονάδα CH αφήνοντας τον κατάλληλο ελεύθερο χώρο γύρω από αυτήν για εργασίες συντήρησης, όπως φαίνεται στο παρακάτω σχήμα:

Πίνακας Πρόσβασης



Τύπος	Ονομασία
①	Ηλεκτρικό Κιβώτιο Ελέγχου
②	Πίνακας Πρόσβασης

Αποψη από Α



Τύπος	Ονομασία	
Model	CH-4-0/8.0	CH-12.0
a	250mm	350mm
b	100mm	

4.2.2. Μπορεί να ακούγεται ήχος ροής του ψυκτικού μέσου από τη μονάδα CH, όταν ενεργοποιείται η σωληνοειδής βαλβίδα στη μονάδα CH. Συνεπώς, κάντε το ακόλουθο για να ελαχιστοποιηθεί ο θόρυβος.

- Εγκαταστήστε τη μονάδα CH εντός της οροφής. Όσον αφορά το υλικό της οροφής, επιλέξτε ένα υλικό σαν τη γυψοσανίδα που ελαχιστοποιεί το θόρυβο λειτουργίας.
- Μην εγκαθιστάτε τη μονάδα CH κοντά σε υπνοδωμάτια ή θαλάμους νοσοκομείων.
- Μην εγκαθιστάτε στη μονάδα CH σε θερμό ή υγρό μέρος, όπως είναι η κουζίνα, για την αποφυγή σχηματισμού υγρασίας από συμπύκνωση στην εξωτερική επιφάνεια της μονάδας CH.

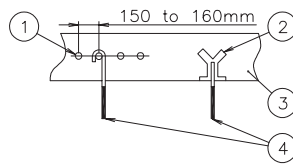
4.2.3. Δώστε προσοχή στα παρακάτω σημεία, όταν η CH εγκαθίσταται σε νοσοκομείο ή σε άλλα μέσα όπου εκπέμπονται ηλεκτρονικά κύματα από ιατρικό εξοπλισμό.

- Μην εγκαθιστάτε τη μονάδα CH εκεί όπου η ηλεκτρομαγνητική ακτινοβολία εκπέμπεται απευθείας προς το ηλεκτρικό κουτί ή την ενδιάμεση καλωδίωση (γραμμή λειτουργίας).
- Εγκαταστήστε τη μονάδα CH και τα τμήματά της όσο πιο μακριά γίνεται ή τουλάχιστον σε απόσταση 3 μέτρων από την πηγή ηλεκτρομαγνητικής ακτινοβολίας.
- Εγκαταστήστε ένα φίλτρο θορύβου όταν η πηγή τροφοδοσίας εκπέμπει επιζήμιους θορύβους.

4.3. ΜΠΟΥΛΟΝΙΑ ΑΝΑΡΤΗΣΗΣ

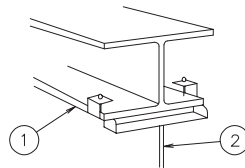
- Επιλέξτε την τελική τοποθεσία και κατεύθυνση της εγκατάστασης της εσωτερικής μονάδας, δίνοντας ιδιαίτερη προσοχή στο χώρο για τους αγωγούς, την καλωδίωση και τη συντήρηση.
- Στερεώστε τα μπουλόνια της ανάρτησης, όπως φαίνεται παρακάτω.

- Για Συμπαγές Σκυρόδεμα:



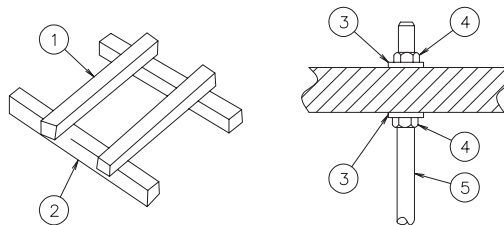
Τύπος	Ονομασία
①	Χάλυβας
②	Παρεμβολή (100 έως 150Kg)
③	Σκυρόδεμα
④	Μπουλόνι (W3/8 or M10)

- Για Χαλύβδινη Δοκό:



Τύπος	Ονομασία
①	Δοκός
②	Μπουλόνια Ανάρτησης (W3/8 or M10)

- Για Ανάρτηση σε Ξύλινη Δοκό:



Τύπος	Ονομασία
①	Ξύλινη Ράβδος (60~90mm Square)
②	Ξύλινη Δοκός
③	Τετράγωνες Ροδέλες
④	Παξιμάδι & Ροδέλα
⑤	Παξιμάδια (W3/8 or M10)

4.4. ΕΓΚΑΤΑΣΤΑΣΗ

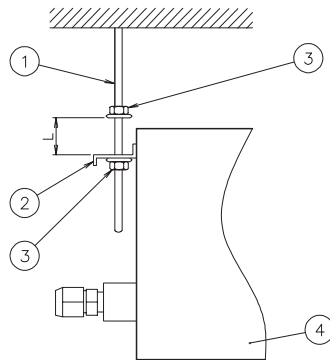
4.4.1. Σημειώνοντας τις Θέσεις για τα Μπουλόνια της Ανάρτησης και για τους Συνδέσμους των Αγωγών

- Σημειώστε τις θέσεις για τα μπουλόνια της Ανάρτησης, για τους συνδέσμους των αγωγών του ψυκτικού μέσου και για το σύνδεσμο της υδρορρόης.
- Βλέπε διαστάσεις εγκατάστασης στο κεφάλαιο 2.1.

4.4.2. Στερεώνοντας τη Μονάδα CH

■ **Πώς να βάλετε τα παξιμάδια**

Βάλτε παξιμάδια σε κάθε ένα από τα τέσσερα μπουλόνια της ανάρτησης, πριν αναρτήσετε τη μονάδα CH, όπως φαίνεται παρακάτω



Τύπος	Ονομασία
①	Μπουλόνι Ανάρτησης
②	Suspension Bracket
③	Παξιμάδι & Ροδέλα (παρεχόμενα από το εργοστάσιο)
④	CH-Box

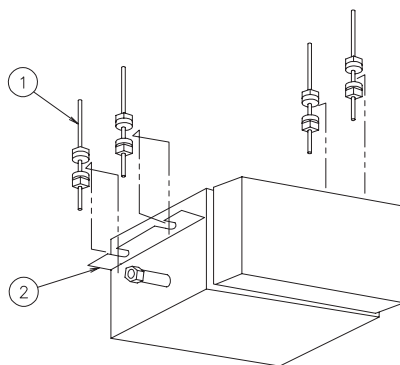
Τύπος	ΔΙΑΣΤΑΣΕΙΣ
L	30~50mm

Ανταλλακτικά Παρεχόμενα από το εργοστάσιο	CH-(4.0/8.0/12.0)N(E)
Μπουλόνια Ανάρτησης	4-M10 or W-3/8
Παξιμάδι	8-M10 or W-3/8
Ροδέλα	8-M10 or W-3/8

■ **Ανάρτηση της Μονάδας CH**

Αγκιστρώστε τη βάση ανάρτησης στο παξιμάδι και τη ροδέλα κάθε μπουλονιού της ανάρτησης, όπως φαίνεται παρακάτω.

Ελέγξτε ότι τα παξιμάδια και οι ροδέλες είναι σωστά στερεωμένες από τα αντιστηρίγματα της βάσης ανάρτησης.

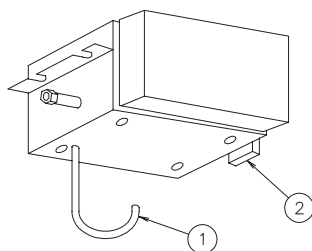


Τύπος	Ονομασία
①	Μπουλόνι Ανάρτησης
②	Βάση Ανάρτησης

4.4.3. Ρυθμίζοντας το Ύψος της Μονάδας

■ Πώς να βάλετε τα παξιμάδια

Για να αποφεύγετε δυσλειτουργία της μονάδας, ελέγξτε το επίπεδο της μονάδας χρησιμοποιώντας αλφάδι με νερό σε διαφανή σωλήνα βινυλίου.



Τύπος	Ονομασία
①	Σωλήνας από Βινύλιο
②	Κλίμακα Ύψους

Σφίξτε τα μπουλόνια από τα παξιμάδια της ανάρτησης με τις βάσεις ανάρτησης αφού ολοκληρωθεί η ρύθμιση.

Επάνω στα μπουλόνια πρέπει να περαστεί ειδική πλαστική μπογιά ούτως ώστε να εμποδιστεί το λασκάρισμα.

5. ΕΡΓΑΣΙΑ ΜΕ ΤΟΥΣ ΑΓΩΓΟΥΣ ΤΟΥ ΨΥΚΤΙΚΟΥ ΜΕΣΟΥ



ΚΙΝΔΥΝΟΣ:

Χρησιμοποιήστε ψυκτικό μέσο R410A για τον κύκλο του ψυκτικού μέσου. Μην εισάγετε οξυγόνο, ακετυλένιο ή άλλα εύφλεκτα και δηλητηριώδη αέρια στον κύκλο του ψυκτικού μέσου, όταν εκτελείτε έλεγχο για διαρροή υγρού ή δοκιμή για διαρροή αέρα. Τα αέρια αυτού του είδους είναι εξαιρετικά επικίνδυνα και μπορούν να προκαλέσουν έκρηξη. Για τέτοιου είδους δοκιμές συνιστάται να χρησιμοποιούνται πεπιεσμένος αέρας, άζωτο ή ψυκτικό μέσο.

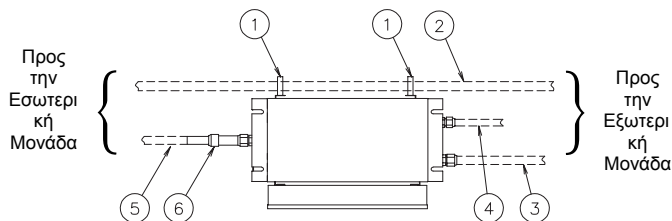
5.1. ΥΛΙΚΑ ΓΙΑ ΤΟΥΣ ΑΓΩΓΟΥΣ

1. Ετοιμάστε χάλκινους αγωγούς που θα τους προμηθευτείτε από τοπικό κατάστημα.
2. Επιλέξτε αγωγούς από καθαρό χαλκό. Βεβαιωθείτε ότι δεν έχουν εντός τους σκόνη ή υγρασία. Πριν συνδέσετε τους αγωγούς, φυσήξτε στο εσωτερικό των αγωγών με άζωτο ή ξηρό αέρα, για να απομακρύνεται σκόνη ή ξένες ουσίες.
3. Επιλέξτε το μέγεθος των αγωγών από το σχεδιάγραμμα με τις διαστάσεις.

5.2. ΣΥΝΔΕΣΗ ΤΩΝ ΑΓΩΓΩΝ

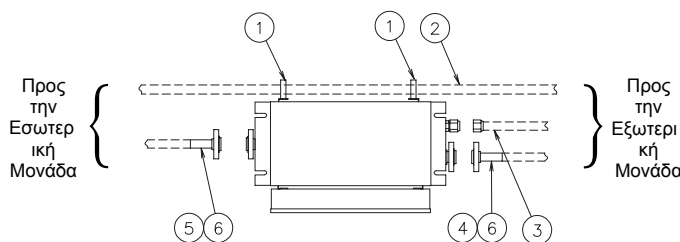
1. Η θέση της σύνδεσης των αγωγών φαίνεται στο σχεδιάγραμμα με τις διαστάσεις.
2. Συνδέστε τα εξαρτήματα όπως φαίνεται στο παρακάτω διάγραμμα.

■ CH-(4.0/8.0)NE.



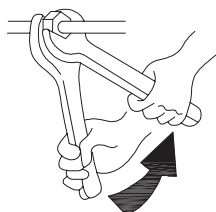
Τύπος	Ονομασία
①	Σφιγκτήρας στερέωσης σωλήνα
②	Γραμμή Υγρού
③	Γραμμή Αερίου Χαμηλής Πίεσης
④	Γραμμή Αερίου Υψηλής Πίεσης
⑤	Γραμμή Αερίου Χαμηλής Πίεσης
⑥	Μειωτήρα
=====	Αγωγός παρεχόμενος από το εργοστάσιο

■ CH-12.0N.



Τύπος	Ονομασία
①	Σωστό
②	Γραμμή Υγρού
③	Γραμμή Αερίου Υψηλής Πίεσης
④	Γραμμή Αερίου Χαμηλής Πίεσης
⑤	Γραμμή Αερίου Χαμηλής Πίεσης
⑥	Σύνδεσμος Διεύρυνσης
=====	Αγωγός παρεχόμενος από το εργοστάσιο

3. Όταν σφίγγετε τον κοχλία διεύρυνσης, χρησιμοποιήστε δύο κλειδιά όπως φαίνεται στο μηπαρεχόμενα σχήμα.



Μέγεθος Αγωγού		Ροπή Στρέψης για τη Σύσφιξη (N.m)
∅6.35	(1/4)	2
∅9.53	(3/8)	4
∅12.7	(1/2)	6
∅15.88	(5/8)	8
∅19.05	(3/4)	10

4. Αφού συνδέσετε τους αγωγούς του ψυκτικού μέσου, στεγανοποιήστε τους αγωγούς του ψυκτικού μέσου χρησιμοποιώντας τα μονωτικά υλικά που παρέχονται από το εργοστάσιο, όπως φαίνεται στο παρακάτω σχήμα.
Χρησιμοποιήστε τον αγωγό που παρέχεται από το εργοστάσιο μαζί με μια φλάντζα για να συνδέσετε τους αγωγούς αερίου χαμηλής πίεσης. Η τσιμούχα στην είσοδο του αγωγού αερίου θα πρέπει να αντικατασταθεί από αυτήν που σας παρέχεται με τη μονάδα σας.
(Ο θερμικός μονωτής γύρω από το σύνδεσμο της φλάντζας θα πρέπει να παρέχεται από το εργοστάσιο.)

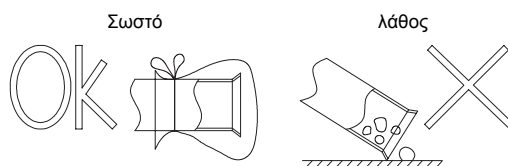
ΣΗΜΕΙΩΣΗ:

Η φλάντζα που παρέχεται από το εργοστάσιο θα πρέπει να συγκολληθεί με τον συνδετικό αγωγό πριν από τη σύνδεση της βαλβίδας. Στερεώστε την τσιμούχα αφού κάνετε τη συγκόλληση εν θερμώ με τον αγωγό. Φροντίστε ιδιαίτερα για τη σύνδεση της φλάντζας με τέτοιο τρόπο ώστε η τσιμούχα να είναι σωστά τοποθετημένη.

Τύπος	Ονομασία	Παρατηρήσεις
①	Μόνωση	- Field Supplied – CH-4.0NE
②	Μόνωση	- Field Supplied – CH-(4.0/8.0/12.0)NE
③	Μόνωση	- Field Supplied – CH-(4.0/8.0)NE - Εξαρτήματα που παρέχονται από το Εργοστάσιο CH-12.0N

**ΠΡΟΣΟΧΗ:**

- Καλύψτε το άκρο του αγωγού όταν ο αγωγός πρόκειται να εισαχθεί διαμέσου οπής.
- Μην τοποθετείτε αγωγούς απευθείας στο έδαφος χωρίς κάλυμμα ή ταινία βινυλίου στο άκρο του αγωγού.
- Απομακρύνετε όλα τα εύφλεκτα υλικά γύρω από τις μονάδες. Αν δεν το κάνετε, θα προκληθεί φωτιά.



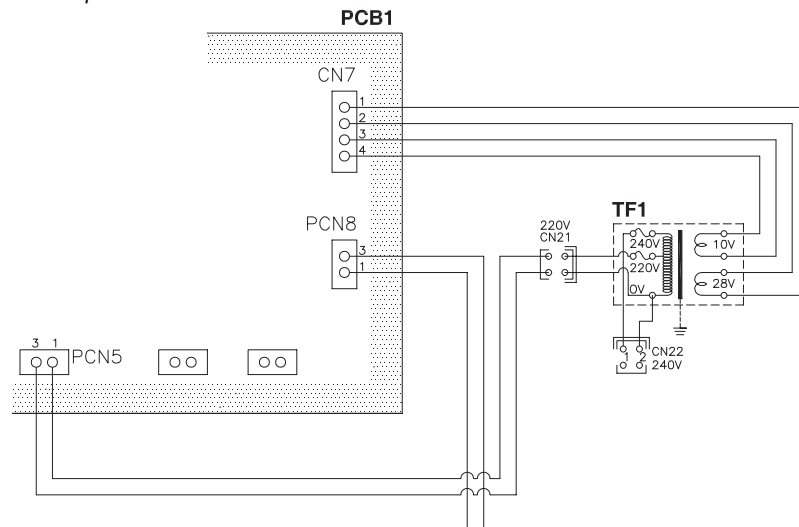
5. Οι διαδικασίες άντλησης του αέρα και γεμίσματος με ψυκτικό μέσο θα πρέπει να εκτελούνται σύμφωνα με το "Εγχειρίδιο Εγκατάστασης και Λειτουργίας" της εξωτερικής μονάδας.

6. ΗΛΕΚΤΡΙΚΗ ΚΑΛΩΔΙΩΣΗ



ΠΡΟΕΙΔΟΠΟΙΗΣΗ:

- Κλείστε τον κεντρικό διακόπτη στη μονάδα CH, στην εσωτερική μονάδα και στην εξωτερική μονάδα προτού εκτελέσετε οποιαδήποτε εργασία ηλεκτρικής καλωδίωσης ή περιοδικού ελέγχου.
- Προστατέψτε τα καλώδια, τα ηλεκτρικά μέρη κ.τ.λ. από αρουραίους ή άλλα βλαβερά ζώα.
- Ελέγξτε το παρακάτω τμήμα πριν ανοίξετε τον κεντρικό διακόπτη.
Σε περίπτωση τροφοδοσίας 240V (ονομαστική τάση) για την εσωτερική μονάδα, αλλάξτε τον CN21 (συνδετήρας) στο CN22 του μετασχηματιστή (TF1) στο ηλεκτρικό κιβώτιο ελέγχου, όπως φαίνεται παρακάτω



ΠΡΟΣΟΧΗ:

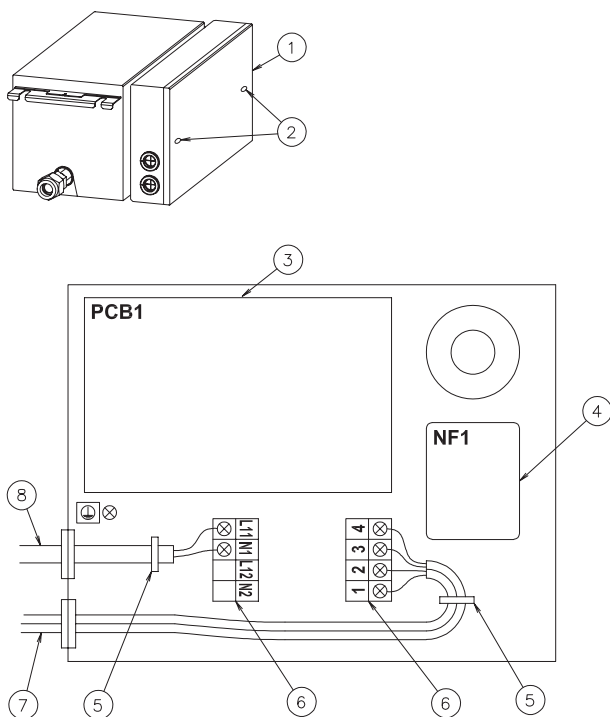
- Τυλίξτε το παρέμβυσμα του εξαρτήματος γύρω από τα καλώδια και φράξτε την οπή σύνδεσης των καλωδίων με το υλικό σφράγισης οπών, για να προστατέψετε το προϊόν από το νερό συμπύκνωσης ή από έντομα.
- Ασφαλίστε ερμητικά τα καλώδια με τον σφιγκτήρα από σκοινί εντός του ηλεκτρικού κιβωτίου.

6.1. ΓΕΝΙΚΟΣ ΕΛΕΓΧΟΣ

- Βεβαιωθείτε ότι τα επιλεγόμενα μέσω πεδίων ηλεκτρικά εξαρτήματα (κεντρικοί ηλεκτρικοί διακόπτες, διακόπτες κυκλωμάτων, καλώδια, σύνδεσμοι αγωγών και τερματικά καλωδίωσης) έχουν επιλεγεί ορθά σύμφωνα με τα ηλεκτρικά δεδομένα που υποδεικνύονται στον Τεχνικό Κατάλογο. Βεβαιωθείτε ότι τα εξαρτήματα είναι σύμφωνα προς τον Εθνικό Ηλεκτρικό Κώδικα (NEC).
- Ελέγξτε για να βεβαιωθείτε ότι η τάση της πηγής τροφοδοσίας είναι στο $\pm 10\%$ της υπολογιζόμενης τάσης.
- Ελέγξτε μήπως η ικανότητα της πηγής τροφοδοσίας είναι πολύ χαμηλή και το σύστημα δεν μπορεί να ξεκινήσει λόγω της πτώσης τάσης.
- Ελέγξτε για να βεβαιωθείτε ότι το καλώδιο της γείωσης είναι συνδεδεμένο.

6.2. ΗΛΕΚΤΡΙΚΗ ΣΥΝΔΕΣΗ ΤΩΝ ΚΑΛΩΔΙΩΝ

Η ηλεκτρική σύνδεση των καλωδίων φαίνεται στο παρακάτω σχήμα.

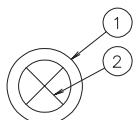


Τύπος	Ονομασία
①	Ηλεκτρικό Κιβώτιο Ελέγχου
②	Βίδα στερέωσης
③	Τυπωμένη Πλακέτα Κυκλωμάτων
④	Φίλτρο Θορύβου
⑤	Σφιγκτήρας από σκονί
⑥	Πλακέτα Τερματικού
⑦	Γραμμή Λειτουργίας
⑧	Γραμμή Τροφοδοσίας

ΣΗΜΕΙΩΣΗ:

Στην πλακέτα τερματικού 2, οι συνδετήρες 1 και 2 είναι για σύστημα σύνδεσης Η Link και οι συνδετήρες 3 και 4 είναι για μετάβαση από την Εσωτερική Μονάδα προς το Κιβώτιο CH.

1. Κλείστε τον κεντρικό διακόπτη τροφοδοσίας και αφαιρέστε το κάλυμμα του ηλεκτρικού κιβωτίου της μονάδας CH.
2. Παραλείψτε το κέντρο του λαστιχένιου μονωτήρα στην οπή σύνδεσης των καλωδίων, όπως φαίνεται παρακάτω.
3. Συνδέστε τα καλώδια τροφοδοσίας και γείωσης στα τερματικά του ηλεκτρικού κιβωτίου.
4. Συνδέστε τα καλώδια της γραμμής λειτουργίας στα τερματικά του ηλεκτρικού κιβωτίου.
5. Σφίξτε ερμητικά τα καλώδια χρησιμοποιώντας τον σφιγκτήρα από σκονί εντός του ηλεκτρικού κιβωτίου.
6. Στερεώστε το κάλυμμα του ηλεκτρικού κιβωτίου μετά την εργασία καλωδίωσης.

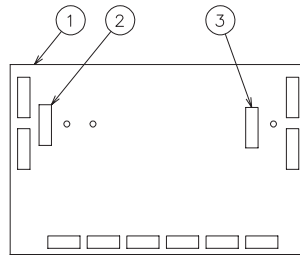


Τύπος	Ονομασία
①	Λαστιχένιος μονωτήρας
②	Κόπτε Εντός

6.3. ΡΥΘΜΙΣΗ ΤΩΝ ΔΙΑΚΟΠΤΩΝ ΚΛΙΣΗΣ

■ **Θέση των Διακοπών Κλίσης**

Το PCB1 στο ηλεκτρικό κιβώτιο της μονάδας CH είναι εξοπλισμένο με 2 τύπους διακοπών κλίσης (DSW2, DSW5), όπως φαίνεται στο παρακάτω σχήμα.



Τύπος	Ονομασία
①	PCB1
②	DSW5
③	DSW2

■ **Ρύθμιση των Διακοπών Κλίσης**

Οι διακόπτες κλίσης ρυθμίζονται πριν από τη φόρτωση και δεν απαιτείται καμία ρύθμιση στο πεδίο. Οι διακόπτες αυτοί χρησιμοποιούνται για την αυτο-διάγνωση προβλημάτων του PCB.

Θέση Εργοστασιακής Ρύθμισης
(ΔιακόπτηςΚλίσης)

- DSW5



- DSW2



ΣΗΜΕΙΩΣΗ:

Η ένδειξη "■" υποδεικνύει τη θέση των διακοπών κλίσης. Τα παραπάνω σχήματα δείχνουν τη ρύθμιση πριν από τη φόρτωση.



ΠΡΟΣΟΧΗ:

Πριν από τη ρύθμιση των διακοπών κλίσης, κλείστε πρώτα την τροφοδοσία και ρυθμίστε τη θέση των διακοπών κλίσης. Αν οι διακόπτες ρυθμιστούν χωρίς να κλείσετε την τροφοδοσία, οι διακόπτες δεν μπορούν να λειτουργούν.

7. ΔΙΑΔΙΚΑΣΙΑ ΔΟΚΙΜΗΣ

Η δοκιμή πρέπει να πραγματοποιηθεί σύμφωνα με το "Εγχειρίδιο Εγκατάστασης & Λειτουργίας" της εξωτερικής μονάδας.



ΠΡΟΕΙΔΟΠΟΙΗΣΗ:

Μην θέτετε σε λειτουργία το σύστημα μέχρι να ξεκαθαριστούν όλα τα σημεία ελέγχου.

- Ελέγξτε για να βεβαιωθείτε ότι η ηλεκτρική αντίσταση είναι μεγαλύτερη από 1 Μεγα-ωμ, μετρώντας την αντίσταση ανάμεσα στο έδαφος και στο τερματικό των ηλεκτρικών τμημάτων. Αν δεν είναι έτσι, μη θέτετε σε λειτουργία το σύστημα μέχρι να βρεθεί και να αποκατασταθεί η ηλεκτρική διαρροή.
- Ελέγξτε για να βεβαιωθείτε ότι οι βαλβίδες διακοπής της εξωτερικής μονάδας είναι τελείως ανοικτές και έπειτα ξεκινήστε το σύστημα.
- Ελέγξτε για να βεβαιωθείτε ότι ο κεντρικός διακόπτης τροφοδοσίας ήταν αναμμένος για περισσότερο από 12 ώρες, για το ζέσταμα του συμπιεστή λαδιού από το στρομφαλοφόρο θερμαντήρα.

Δώστε προσοχή στα παρακάτω κατά τη λειτουργία του συστήματος.

- Μην αγγίζετε κανένα μέρος με γυμνά χέρια στην πλευρά εκφόρτισης του αερίου, επειδή ο θάλαμος του συμπιεστή και οι 90°C.
- ΜΗΝ ΣΠΡΩΧΝΕΤΕ ΤΟ ΚΟΥΜΠΙ ΤΟΥ ΜΑΓΝΗΤΙΚΟΥ ΔΙΑΚΟΠΤΗ (ή ΔΙΑΚΟΠΤΩΝ). Θα προκληθεί σοβαρό ατύχημα.

HITACHI

P5413812, PMML0108A-rev.0-05/05