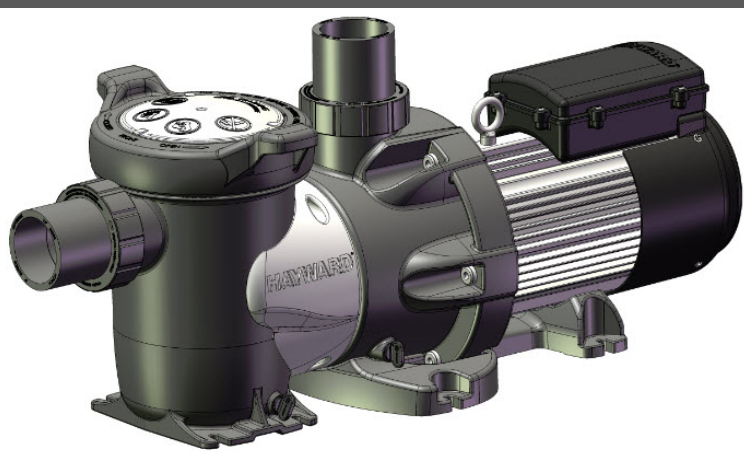




# HCP3000 SERIES Pump

## Owner's Manual



### Contents

Full Table of Contents.....	2
General Product Warnings.....	3
Installation and Wiring.....	6
Start up and Operation.....	8
Shaft Seal Replacement.....	10
Replacement Parts.....	12
Warranty.....	15
Registration.....	16

## IMPORTANT SAFETY INSTRUCTIONS

The Hayward HCP3000 Series pump is a series of high technology self-priming pump that combine performance, dependability and value with durable construction. Designed for commercial pools of all types and sizes, HCP3000 Series pump features 2-1/2" x 3" union connections to match a variety of plumbing configurations and a cam and ramp strainer cover that seals with less than a quarter turn. The HCP3000 Series pump is an ideal choice for both new construction or as a replacement pump.

**Basic safety precautions should always be followed, including the following: Failure to follow instructions can cause severe injury and/or death.**

**⚠** This is the safety-alert symbol. When you see this symbol on your equipment or in this manual, look for one of the following signal words and be alert to the potential for personal injury.

**⚠ WARNING** warns about hazards that **could** cause serious personal injury, death or major property damage and if ignored presents a potential hazard.

**⚠ CAUTION** warns about hazards that **will** or **can** cause minor or moderate personal injury and/or property damage and if ignored presents a potential hazard. It can also make consumers aware of actions that are unpredictable and unsafe.

The **NOTICE** label indicates special instructions that are important but not related to hazards.

Hayward Pool Products  
620 Division Street, Elizabeth, NJ 07207  
Phone: (908) 355-7995  
[www.hayward.com](http://www.hayward.com)



## Table of Contents

1.	IMPORTANT SAFETY INSTRUCTIONS .....	3
2.	General Information .....	5
2.1.	Introduction .....	5
2.2.	Primary Features .....	5
2.3.	Product Dimensions .....	5
3.	Installation and Wiring .....	6
3.1.	Pump Location .....	6
3.2.	Pump Mounting .....	6
3.3.	Pipe Sizing Chart .....	6
3.4.	Plumbing .....	6
3.5.	Electrical .....	7
3.6.	Electrical Specs .....	7
3.7.	Voltage .....	7
3.8.	Grounding and Bonding .....	7
3.9.	Wiring .....	8
4.	Startup & Operation .....	8
4.1.	Prior to Start-Up .....	8
4.2.	Starting/Priming the Pump .....	8
5.	Maintenance .....	9
6.	Storage / Winterization .....	9
6.1.	Storing Pump For Winterization .....	9
7.	Shaft Seal Change Instructions .....	10
7.1.	Removing the Motor Assembly .....	10
7.2.	Removing the Impeller .....	10
7.3.	Removing the Ceramic Seat .....	10
7.4.	Seal Installation .....	11
7.5.	Replacing the Impeller and Diffuser .....	11
7.6.	Replacing the Motor Assembly .....	11
8.	Replacement Parts .....	12
8.1.	Parts Diagram .....	12
8.2.	Parts Listing .....	12
9.	Troubleshooting .....	13
9.1.	General Problems .....	13
10.	Warranty .....	15
	Hayward® Pool Products Limited Warranty .....	15
11.	Product Registration .....	16



# HAYWARD®

## 1. IMPORTANT SAFETY INSTRUCTIONS



**⚠ WARNING – READ AND FOLLOW ALL INSTRUCTIONS** in this owner's manual and on the equipment. Failure to follow instructions can cause severe injury and/or death.

**⚠ WARNING** – This product should be installed and serviced only by a qualified professional.

**USE OF NON-HAYWARD REPLACEMENT PARTS VOIDS WARRANTY.**

**ATTENTION INSTALLER - THIS MANUAL CONTAINS IMPORTANT INFORMATION ABOUT THE INSTALLATION, OPERATION, AND SAFE USE OF THIS PUMP THAT MUST BE FURNISHED TO THE END USER OF THIS PRODUCT. FAILURE TO READ AND FOLLOW ALL INSTRUCTIONS COULD RESULT IN SERIOUS INJURY.**

**⚠ WARNING – Suction Entrapment Hazard.** Suction in suction outlets and/or suction outlet covers which are, damaged, broken, cracked, missing, or unsecured can cause severe injury and/or death due to the following entrapment hazards:



**Hair Entrapment-** Hair can become entangled in suction outlet cover.



**Limb Entrapment-** A limb inserted into an opening of a suction outlet sump or suction outlet cover that is damaged, broken, cracked, missing, or not securely attached can result in a mechanical bind or swelling of the limb.



**Body Suction Entrapment-** A negative pressure applied to a large portion of the body or limbs can result in an entrapment.

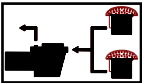


**Evisceration/ Disembowelment** - A negative pressure applied directly to the intestines through an unprotected suction outlet sump or suction outlet cover which is, damaged, broken, cracked, missing, or unsecured can result in evisceration/ disembowelment.

**Mechanical Entrapment-** There is potential for jewelry, swimsuit, hair decorations, finger, toe or knuckle to be caught in an opening of a suction outlet cover resulting in mechanical entrapment.

**⚠ WARNING - To Reduce the risk of Entrapment Hazards:**

- When outlets are small enough to be blocked by a person, a minimum of two functioning suction outlets per pump must be installed. Suction outlets in the same plane (i.e. floor or wall), must be installed a minimum of three feet (3') [1 meter] apart, as measured from near point to near point.
- Dual suction fittings shall be placed in such locations and distances to avoid “dual blockage” by a user.
- Dual suction fittings shall not be located on seating areas or on the backrest for such seating areas.
- The maximum system flow rate shall not exceed the flow rating of as listed on Table 1.
- Never use Pool or Spa if any suction outlet component is damaged, broken, cracked, missing, or not securely attached.
- Replace damaged, broken, cracked, missing, or not securely attached suction outlet components immediately.
- In addition two or more suction outlets per pump installed in accordance with latest ASME, APSP Standards and CPSC guidelines, follow all National, State, and Local codes applicable.
- Installation of a vacuum release or vent system, which relieves entrapping suction, is recommended.



**⚠ WARNING** – Failure to remove pressure test plugs and/or plugs used in winterization of the pool/spa from the suction outlets can result in an increase potential for suction entrapment as described above.

**⚠ WARNING** – Failure to keep suction outlet components clear of debris, such as leaves, dirt, hair, paper and other material can result in an increase potential for suction entrapment as described above.

**⚠ WARNING** – Suction outlet components have a finite life, the cover/grate should be inspected frequently and replaced at least every seven years or if found to be damaged, broken, cracked, missing, or not securely attached.

**⚠ CAUTION** – Components such as the filtration system, pumps and heater must be positioned so as to prevent their being used as means of access to the pool by young children. To reduce risk of injury, do not permit children to use or climb on this product. Closely supervise children at all times. Components such as the filtration system, pumps, and heaters must be positioned to prevent children from using them as a means of access to the pool.



**⚠ WARNING – Hazardous Pressure.** Pool and spa water circulation systems operate under hazardous pressure during start up, normal operation, and after pump shut off. Stand clear of circulation system equipment during pump start up. Failure to follow safety and operation instructions could result in violent separation of the pump housing and cover, and/or filter housing and clamp due to pressure in the system, which could cause property damage, severe personal injury, or death. Before servicing pool and spa water circulation system, all system and pump controls must be in off position and filter manual air relief valve must be in open position. Before starting system pump, all system valves must be set in a position to allow system water to return back to the pool. Do not change filter control valve position while system pump is running. Before starting system pump, fully open filter manual air relief valve. Do not close filter manual air relief valve until a steady stream of water (not air or air and water) is discharged. All suction and discharge valves MUST be OPEN when starting the circulation system. Failure to do so could result in severe personal injury and/or property damage.



# HAYWARD®



**⚠ WARNING – Separation Hazard.** Failure to follow safety and operation instructions could result in violent separation of pump and/or filter components. Strainer cover must be properly secured to pump housing with strainer cover lock ring. Before servicing pool and spa circulation system, filters manual air relief valve must be in open position. Do not operate pool and spa circulation system if a system component is not assembled properly, damaged, or missing. Do not operate pool and spa circulation system unless filter manual air relief valve body is in locked position in filter upper body. All suction and discharge valves MUST be OPEN when starting the circulation system. Failure to do so could result in severe personal injury and/or property damage. **Never operate or test the circulation system at more than 50 PSI. Do not purge the system with compressed air.** Purging the system with compressed air can cause components to explode, with risk of severe injury or death to anyone nearby. Use only a low pressure (below 5 PSI), high volume blower when air purging the pump, filter, or piping.



**⚠ WARNING – Risk of Electric Shock.** All electrical wiring MUST be in conformance with applicable local codes, regulations, and the National Electric Code (NEC). Hazardous voltage can shock, burn, and cause death or serious property damage. To reduce the risk of electric shock, do NOT use an extension cord to connect unit to electric supply. Provide a properly located electrical receptacle. Before working on any electrical equipment, turn off power supply to the equipment. To reduce the risk of electric shock replace damaged wiring immediately. Locate conduit to prevent abuse from lawn mowers, hedge trimmers and other equipment. Do NOT ground to a gas supply line.

**⚠ WARNING – Risk of Electric Shock** Failure to ground all electrical equipment can cause serious or fatal electrical shock hazard. Electrical ground all electrical equipment before connecting to electrical power supply.

**⚠ WARNING – Risk of Electric Shock** Failure to bond all electrical equipment to pool structure will increase risk for electrocution and could result in injury or death. To reduce the risk of electric shock, see installation instructions and consult a professional electrician on how to bond all electrical equipment. Also, contact a licensed electrician for information on local electrical codes for bonding requirements.

**Notes to electrician:** Use a solid copper conductor, size 8 or larger. Run a continuous wire from external bonding lug to reinforcing rod or mesh. Connect a No. 8 AWG (8.4 mm<sup>2</sup>) [No. 6 AWG (13.3 mm<sup>2</sup>) for Canada] solid copper bonding wire to the pressure wire connector provided on the electrical equipment and to all metal parts of swimming pool, spa, or hot tub, and metal piping (except gas piping), and conduit within 5 ft. (1.5 m) of inside walls of swimming pool, spa, or hot tub.

**IMPORTANT** - Reference NEC codes for all wiring standards including, but not limited to, grounding, bonding and other general wiring procedures.

**⚠ WARNING – Risk of Electric Shock.** The electrical equipment must be connected only to a supply circuit that is protected by a ground-fault circuit-interrupter (GFCI). Such a GFCI should be provided by the installer and should be tested on a routine basis. To test the GFCI, push the test button. The GFCI should interrupt power. Push reset button. Power should be restored. If the GFCI fails to operate in this manner, the GFCI is defective. If the GFCI interrupts power to the electrical equipment without the test button being pushed, a ground current is flowing, indicating the possibility of an electrical shock. Do not use this electrical equipment. Disconnect the electrical equipment and have the problem corrected by a qualified service representative before using.

**⚠ CAUTION** – HAYWARD® pumps are intended for use with permanently-installed pools and may be used with hot tubs and spas if so marked. Do not use with storable pools. A permanently-installed pool is constructed in or on the ground or in a building such that it cannot be readily disassembled for storage. A storable pool is constructed so that it is capable of being readily disassembled for storage and reassembled to its original integrity. Though this product is designed for outdoor use, it is strongly advised to protect the electrical components from the weather. Select a well-drained area, one that will not flood when it rains. It requires free circulation of air for cooling. Do not install in a damp or non-ventilated location. If installed within an outer enclosure or beneath the skirt of a hot tub or spa, adequate ventilation and free circulation of air must be provided to prevent overheating of the motor.

**⚠ WARNING – Fire and burn hazard.** Motors operate at high temperatures and if they are not properly isolated from any flammable structures or foreign debris they can cause fires, which may cause severe personal injury or death. It is also necessary to allow the motor to cool for at least 20 minutes prior to maintenance to minimize the risk for burns.

**⚠ WARNING** – Failure to install according to defined instructions – may result in severe personal injury or death.

**⚠ WARNING – Risk of Hyperthermia.** To avoid hyperthermia the following “Safety Rules for Hot Tubs” are recommended by the U.S. Consumer Product Safety Commission.

1. Spa or hot tub water temperatures should never exceed 104°F [40°C]. A temperature of 100°F [38°C] is considered safe for a healthy adult. Special caution is suggested for young children. Prolonged immersion in hot water can induce hyperthermia.
2. Drinking of alcoholic beverages before or during spa or hot tub use can cause drowsiness, which could lead to unconsciousness and subsequently result in drowning.
3. Pregnant women beware! Soaking in water above 100°F [38°C] can cause fetal damage during the first three months of pregnancy (resulting in the birth of a brain-damaged or deformed child). Pregnant women should adhere to the 100°F [38°C] maximum rule.



# HAYWARD®

4. Before entering the spa or hot tub, users should check the water temperature with an accurate thermometer; spa or hot tub thermostats may err in regulating water temperatures by as much as 4°F (2.2°C).
5. Persons taking medications, which induce drowsiness, such as tranquilizers, antihistamines or anticoagulants, should not use spas or hot tubs.
6. If the pool/spa is used for therapy, it should be done with the advice of a physician. Always stir pool/ spa water before entering the pool/spa to mix in any hot surface layer of water that might exceed healthful temperature limits and cause injury. Do not tamper with controls, because scalding can result if safety controls are not in proper working order.
7. Persons with a medical history of heart disease, circulatory problems, diabetes or blood pressure problems should obtain a physicians' advice before using spas or hot tubs.
8. Hyperthermia occurs when the internal temperature of the body reaches a level several degrees above normal body temperature of 98.6°F [37°C]. The symptoms of Hyperthermia include: drowsiness, lethargy, dizziness, fainting, and an increase in the internal temperature of the body.

**The effects of Hyperthermia include:**

1. Unawareness of impending danger.
2. Failure to perceive heat.
3. Failure to recognize the need to leave the spa.
4. Physical inability to exit the spa.
5. Fetal damage in pregnant women.
6. Unconsciousness resulting in danger of drowning.

## SAVE THESE INSTRUCTIONS

## 2. General Information

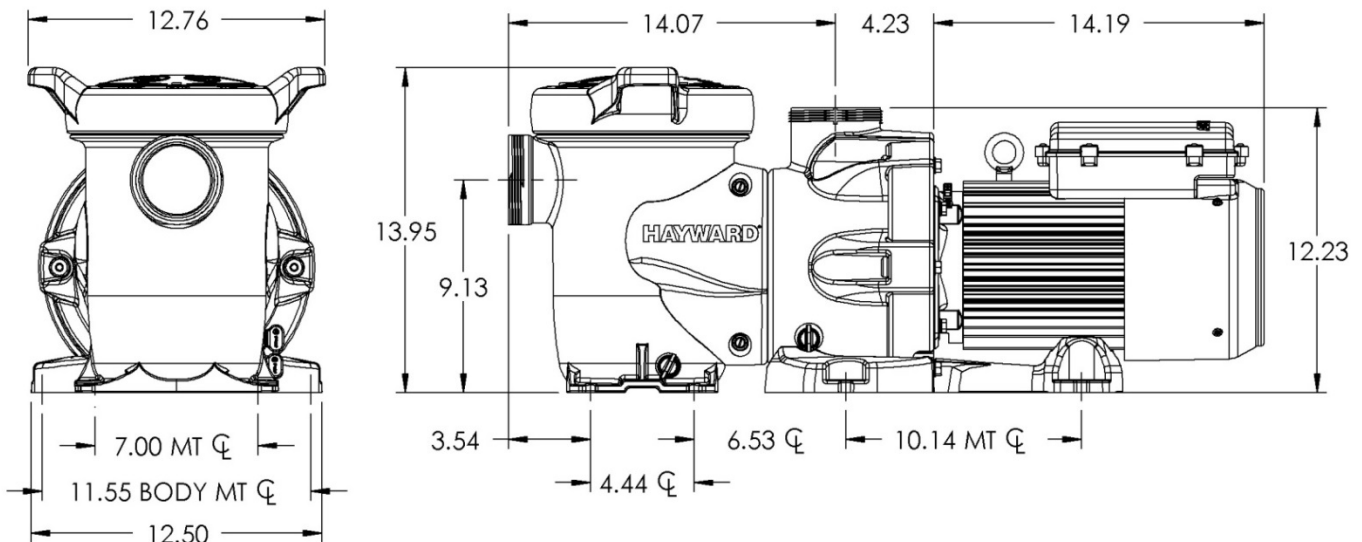
### Introduction

This manual contains information for the proper installation and operation of the Hayward HCP3000 Series pump. The instructions in this manual **MUST** be followed precisely. **Failure to install according to defined instructions will void warranty.**

### Primary Features

- Advanced hydraulics for increased efficiency and priming ability.
- All models include 2-1/2" x 3" union connections.
- See-through strainer cover lets you see when the basket needs cleaning and seals with less than a quarter turn.
- Pressure testable to 50 psi maximum.
- Self-priming (suction lift up to 10' above water level)

### Product Dimensions



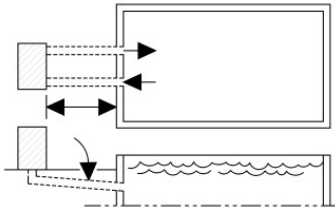


### 3. Installation and Wiring

**⚠ WARNING** – This product should be installed and serviced only by a qualified professional.

#### Pump Location

**⚠ WARNING – Fire and burn hazard.** Motors operate at high temperatures and if they are not properly isolated from any flammable structures or foreign debris they can cause fires, which may cause severe personal injury or death. It is also necessary to allow the motor to cool for at least 20 minutes prior to maintenance to minimize the risk for burns.



Locate pump as close to pool as practical and run suction lines as direct as possible to reduce friction loss. Pump height location should be as close to pool water level as possible and NOT to exceed 8 feet. Suction lines should have continuous slope upward from lowest point in line. Joints must be tight (but not over-tightened). Suction line diameter must equal or be larger than the discharge line diameter.

Though the pump is designed for outdoor use, it is advised to place pump and filter in the shade to shield them from continuous direct heat. Select a well-drained area that will not flood when it rains. Do NOT install pump and filter in a damp or non-ventilated location. Keep motor clean. Pump motors require free circulation of air for cooling.

#### Pump Mounting

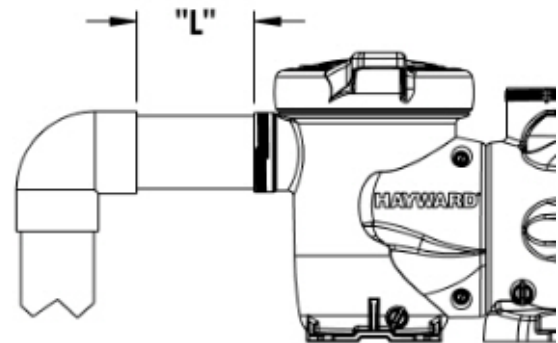
Install pump on a **level concrete slab** or other rigid base to meet all local and national codes. Secure pump to base with screws or bolts to further reduce vibration and stress on pipe or hose joints. The base must be level, rigid, and vibration free.

Pump mount must:

- Allow pump inlet height to be as close to water level as possible.
- Allow use of short, direct suction pipe (to reduce friction losses).
- Allow for valves in suction and discharge piping.
- Be protected from excess moisture and flooding.
- Allow adequate access for servicing pump and piping.

#### Pipe Sizing Chart

MINIMUM INLET PIPING SIZE CHART	
Pipe Size in. [mm]	Minimum Suction Pipe Length "L" in. [mm] *
2 ½" [64]	12 ½" [317]
3" [76]	15" [381]
4" [102]	20" [508]
6" [152]	30" [762]



**\* Note:** It is recommended that a minimum length of straight piping (shown as "L" in above diagram), equivalent to 5 pipe size diameters, be used between the pump suction inlet and any plumbing fittings (elbows, valves, etc.).

#### Plumbing

1. All plastic fittings must be new or thoroughly cleaned before use.

**NOTE - Do NOT use Plumber's Pipe Dope as it may cause cracking of the plastic components.**

2. The maximum water velocity must be six feet per second or less unless the outlet complies with the latest ASME/ANSI Specification for Suction Fittings For Use in Swimming Pools, Spas, Hot Tubs, and Whirlpool Bathtub Applications.

If 100% of the pump's flow comes from the suction outlet system, the maximum water velocity in the pump suction hydraulic system must be six feet per second or less even if one suction outlet fitting is completely blocked. The flow through the remaining suction outlet(s) must comply with the latest ASME/ANSI Specification for Suction Fittings For Use in Swimming Pools, Spas, Hot Tubs, and Whirlpool Bathtub Applications.

3. Fittings (elbows, tees, valves, etc.) restrict flow. For better efficiency, use the fewest possible fittings. Avoid fittings that could cause an air trap. Pool and spa fittings MUST conform to the International Association of Plumbing and Mechanical Officials (IAPMO) standards.



## Electrical



**⚠ WARNING** – All electrical wiring **MUST** conform to local codes, regulations, and the National Electric Code (NEC).

**⚠ WARNING** – Ground and bond pump before connecting to electrical power supply. Failure to ground and bond pump can cause serious or fatal electrical shock hazard. Do NOT ground to a gas supply line. To avoid dangerous or fatal electrical shock, turn OFF power to pump before working on electrical connections. Fire Hazard - match supply voltage to pump nameplate voltage. Insure that the electrical supply available agrees with the pump’s voltage, phase, and cycle, and that the wire size is adequate for the amps rating and distance from the power source. Use copper conductors only.

## Electrical Specs

Use copper conductors only. For indoor & outdoor use.

60 Hz Electrical Data					
PUMP MODEL	RATED HP	TOTAL HP	PHASE	VOLTAGE	AMPS
HCP30201	2	2.7	1	208-230	8.7-8.5
HCP30203	2	2.7	3	208-230/460	6.1-6.0/3.0
HCP30203C	2	2.7	3	575	2.4
HCP30301	3	3.45	1	208-230	11.7-11.5
HCP30303	3	3.45	3	208-230/460	9.2-9.0/4.5
HCP30303C	3	3.45	3	575	3.8
HCP30501	5	5.5	1	208-230	21.0-20.0
HCP30503	5	5.5	3	208-230/460	13.6-13.2/6.6
HCP30503C	5	5.5	3	575	5.4
HCP30703	7	7.49	3	208-230/460	19.8-17.2/8.6
HCP30703C	7	7.49	3	575	7.2

50 Hz Electrical Data					
PUMP MODEL	RATED HP	TOTAL HP	PHASE	VOLTAGE	AMPS
HCP30201	2	2	1	220-240	8.9-8.7
HCP30203	2	2	3	190/380-415	6.8/3.4-3.5
HCP30301	3	3	1	220-240	12.1-12.4
HCP30303	3	3	3	190/380-415	10.0/5.0-5.0
HCP30503	5	5	3	190/380-415	15.4/7.7-7.9
HCP30703	7	7	3	190/380-415	21.0/10.5-9.9

## Voltage

Voltage at pump **MUST NOT** be more than 10% above or below nameplate rated voltage, or components may overheat, causing overload tripping and reduced component life. If voltage is less than 90% or more than 110% of rated voltage when pump is running at full load, consult the power company.

## Grounding and Bonding

1. Install, ground, bond, and wire pump in accordance with local or national electrical code requirements.
2. Permanently ground pump. Use green ground terminal provided **under access plate**; use size and type wire required by code. Connect ground terminal to electrical service ground.
3. Bond pump to pool structure. Bonding will connect all metal parts within and around the pool with a continuous wire. Bonding reduces the risk of a current passing between bonded metal objects, which could potentially cause electrical shock if grounded or shorted. Reference NEC codes for all wiring standards including, but not limited to, grounding, bonding and general wiring procedures.
4. Use a solid copper conductor, size 8 or larger. Run wire from external bonding lug to reinforcing rod or mesh. Connect a No. 8 AWG (8.4 mm<sup>2</sup>) [No. 6 AWG (13.3 mm<sup>2</sup>) for Canada] solid copper bonding wire to the pressure wire connector provided on the motor housing and to all metal parts of swimming pool, spa, or hot tub, and to all electrical equipment, metal piping (except gas piping), and conduit within 5 ft. (1.5 m) of inside walls of swimming pool, spa, or hot tub.

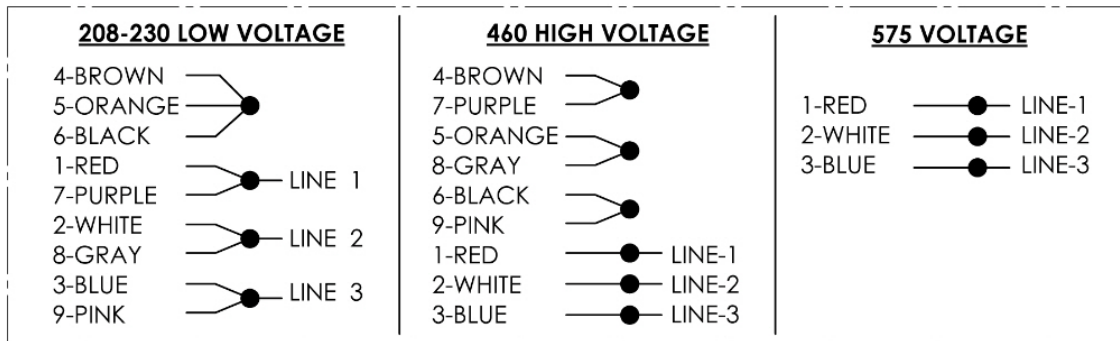


## Wiring

**⚠ WARNING** – All electrical wiring MUST conform to local codes, regulations and the National Electric Code (NEC).

Pump MUST be permanently connected to circuit. If other lights or appliances are also on the same circuit, be sure to add their amp loads before calculating wire and circuit breaker sizes. Use the load circuit breaker as the Master On-Off switch.

**⚠ WARNING** Risk of dangerous or fatal electrical shock. Be sure that power to the motor circuit is off before working on wiring, wiring connections, or motor. Re-install the motor end cover and all other wiring covers before turning on the power. Reference motor data plate for proper wiring information.



### To Wire a Single Speed, Single Voltage Motor

1. Turn off power.
2. Remove the motor end cover.
3. There are two terminals labeled L1 and L2. Attach the power leads to these terminals. Either wire may attach to either terminal.
4. Reinstall motor end cover.

**⚠ WARNING** – If you do not use conduit when wiring motor, **be sure** to seal wire opening on end of motor to prevent dirt, bugs, etc., from entering.

## 4. Startup & Operation

### Prior to Start-Up

If it is necessary to perform a water pressure test prior to initial use to ensure plumbing system is functioning properly, then the following criteria should be maintained for this test:

1. Have a professional perform this test.
2. Ensure all Hayward pump and system components are removed from system prior to performing test.

**⚠ WARNING** – If circulation equipment must remain in the plumbing system during water pressure test, do not apply more than 10 psi pressure to the system. Be sure water pressure has been released, using the filter manual air relief valve, before removing pump strainer cover.

**⚠ WARNING – Separation Hazard** All suction and discharge valves MUST be OPEN, as well as filter air relief valve (if available) on filter, when starting the circulating pump system. Failure to do so could result in severe personal injury.

### Starting/Priming the Pump

Rotate strainer cover counter clockwise to remove. **Fill strainer housing with water to suction pipe level.** Replace strainer cover, rotate clockwise and hand tighten. If water leakage occurs from anywhere on the pump or filter, DO NOT start the pump. If no leakage occurs, stand at least 10 feet from pump and/or filter and proceed with starting the pump.





# HAYWARD®

- ▲ **WARNING** – Return to filter to close filter manual air relief valve only when a steady stream of water (not air or air and water) is discharged from valve. Failure to do so could result in severe personal injury.
- ▲ **CAUTION – NEVER OPERATE THE PUMP WITHOUT WATER.** Water acts as a coolant and lubricant for the mechanical shaft seal. NEVER run pump dry. Running pump dry may damage seals, causing leakage, flooding, and voids warranty. Fill strainer housing with water before starting motor.
- ▲ **CAUTION** – Do NOT add chemicals to pool/spa system directly in front of pump suction. Adding undiluted chemicals may damage pump and voids warranty.
- ▲ **CAUTION** – Before removing strainer cover:
  1. STOP PUMP before proceeding.
  2. CLOSE VALVES in suction and outlet pipes.
  3. RELEASE ALL PRESSURE from pump and piping system using filter manual air relief valve. See filter owner's manual for more details.
  4. If water source is higher than the pump, pump will prime itself when suction and outlet valves are opened. If water source is lower than the pump, unscrew and remove strainer cover; fill strainer housing with water.
  5. Clean and lubricate strainer cover O-ring with "Jack's 327" if necessary.
  6. Replace strainer cover on strainer housing; turn clockwise to tighten cover.

**NOTE - Tighten strainer cover lock ring by hand only (no wrenches).**

Turn on power and wait for pump to prime, which can take up to fifteen (15) minutes. Priming time will depend on vertical length of suction lift and horizontal length of suction pipe. If pump does NOT prime within 20 minutes, stop motor and determine cause. Be sure all suction and discharge valves are open when pump is running. See Troubleshooting Guide.

## 5. Maintenance

- Clean strainer basket regularly. Do NOT strike basket to clean. Inspect strainer cover gasket regularly and replace as necessary.
- Hayward pumps have self-lubricating motor bearings and shaft seals. No lubrication is necessary.
- Keep motor clean. Insure motor air vents are free from obstruction to avoid damage. Do NOT use water to hose off motor.
- Occasionally, shaft seals must be replaced, due to wear or damage. Replace with genuine Hayward seal assembly kit. See "Shaft Seal Change Instructions" in this manual.

## 6. Storage / Winterization



- ▲ **WARNING – Separation Hazard.** Do not purge the system with compressed air. Purging the system with compressed air can cause components to explode, with risk of severe injury or death to anyone nearby. Use only a low pressure (below 5 PSI), high volume blower when air purging the pump, filter, or piping.
- ▲ **CAUTION** – Allowing the pump to freeze with water in it will void the warranty.
- ▲ **CAUTION** – Use ONLY propylene glycol as antifreeze in your pool/spa system. Propylene glycol is non-toxic and will not damage plastic system components; other anti-freezes are highly toxic and may damage plastic components in the system.

Drain all water from pump and piping when expecting freezing temperatures or when storing pump for a long time (see instructions below). Gravity drain system as far as possible.

Keep motor dry and covered during storage. To avoid condensation/corrosion problems, do NOT cover or wrap pump with plastic film or bags.

### Storing Pump For Winterization

- ▲ **WARNING** – To avoid dangerous or fatal electrical shock hazard, turn OFF power to motor before draining pump. Failure to disconnect power may result in serious personal injury or death.
  1. Drain water level below all inlets to the pool.





2. Remove drain plugs and strainer cover from strainer housing. (See “Parts Diagram” in section o of this manual for pump component locations.)
3. Disconnect pump from mounting pad, wiring (after power has been turned OFF), and piping.
4. Once the pump is fully drained of water, re-install the strainer cover and drain plugs. Store pump in a dry area.

## 7. Shaft Seal Change Instructions

### IMPORTANT SAFETY INSTRUCTIONS PLEASE READ AND FOLLOW ALL INSTRUCTIONS

When servicing electrical equipment, basic safety precautions should always be observed including the following. Failure to follow instructions may result in injury.

**⚠ WARNING** – To reduce risk of injury, do not permit children to use this product.

- Disconnect all electrical power service to pump before beginning shaft seal replacement.
- Only qualified personnel should attempt rotary seal replacement. Contact your local authorized Hayward Dealer or service center if you have any questions.
- See “Parts Diagram” Figure o-1 for pump component locations.
- Exercise extreme care in handling both the rotating and the stationary sections of the two-part replacement seal. Foreign matter or improper handling will easily scratch the graphite and ceramic sealing surfaces.

### Removing the Motor Assembly

1. Remove the six (6) 5/16" x 2" hex head bolts (item #20) which hold the motor assembly to the pump housing (item #9), using a 1/2" wrench or socket.
2. Slide the motor assembly out of the pump housing (item #9), exposing the diffuser (item #12). Remove the four (4) diffuser screws (item #11) and pull the diffuser off of the seal plate (item #18) to expose the impeller (item #15).

### Removing the Impeller

3. To prevent motor shaft from turning, insert a 5/16" allen wrench into the end of the motor shaft through the center hole in the motor end cover/canopy.
4. Rotate the impeller (item #15) counterclockwise and remove. The spring portion of the seal assembly (item #16) is now exposed. Note carefully the position of the spring seal, and remove it. NOTE - Replace motor cover to protect delicate motor parts.

### Removing the Ceramic Seat

5. Remove the seal plate (item #18) from the motor by removing the four (4) 3/8" x 1" hex head bolts (item #21) that secure it to the motor, using a 1/2" wrench or socket.
6. Press the ceramic seat with rubber cup out of the seal plate. If tight, use a small screwdriver to tap seal out. See Fig 7.3.1

**STOP** - Clean all recesses & parts to be reassembled. Inspect gaskets & replace if necessary.

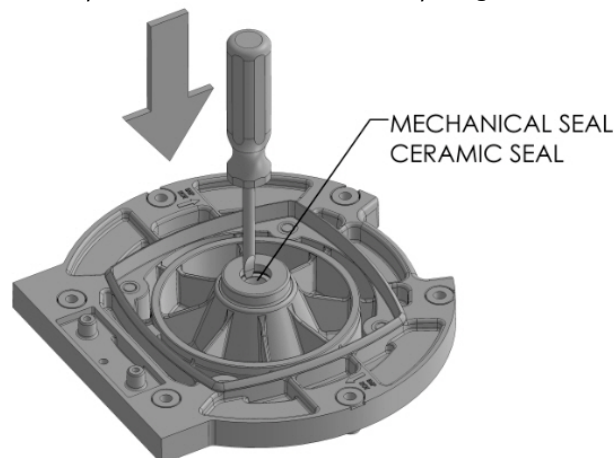


Fig 7.3.1

## Seal Installation

7. Clean and lightly lubricate the motor shaft and seal recess in the seal plate (item #18) with a dilute solution of non-granulated liquid-type soap. Gently wipe the polished surface of the ceramic seal with a clean, soft, cotton cloth. Lubricate the rubber cup on the ceramic seat and press it firmly and evenly into the recess of the seal plate (item #18) with the polished side of the ceramic facing out.
8. Assemble the motor to the seal plate (item #18) with the four (4) 3/8" x 1" hex head bolts (item #21). Torque bolts to 95-105 in-lbs.
9. Gently wipe the black, polished surface of the spring seal assembly with a clean, soft, cotton cloth.
10. Press the spring seal assembly (item #16) onto the motor shaft – black polished surface facing toward the polished surface of the ceramic seat. See Fig 7.4.1

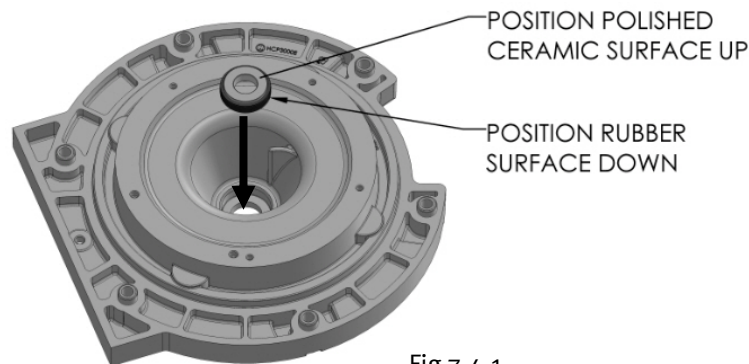


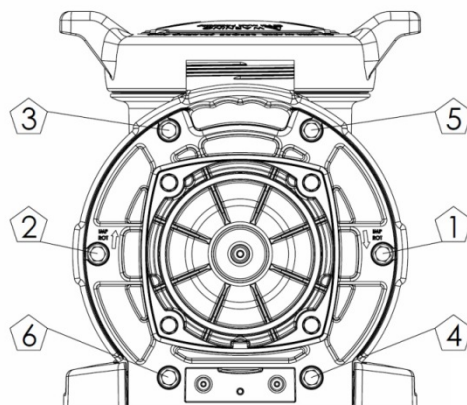
Fig 7.4.1

## Replacing the Impeller and Diffuser

11. Screw the impeller (item #15) onto the motor shaft in a clockwise direction. Tighten snugly by holding motor shaft with wrench as noted in step #4.
12. Place the diffuser (item #12) over the impeller (item #15) onto the seal plate (item #18), aligning the two (2) protruding pins with the matching holes in the seal plate (item #18). Replace four (4) diffuser screws (item #11), Torque screws to 16-27 in-lbs range.

## Replacing the Motor Assembly

13. Re-attach motor end cover/canopy by using the two (2) hex shaped screws. Slide the motor assembly with the diffuser (item #12) in place, into pump housing (item #9), being careful not to disturb the diffuser o-ring (item #10).
14. Re-attach assembly to pump housing (item #9) using the six (6) 5/16" x 2" hex head bolts. (Be sure housing o-ring (item #17) is in place, and lubricated. Replace if damaged). Tighten alternately and evenly to 185-195 in-lbs range using torque pattern in the following diagram.



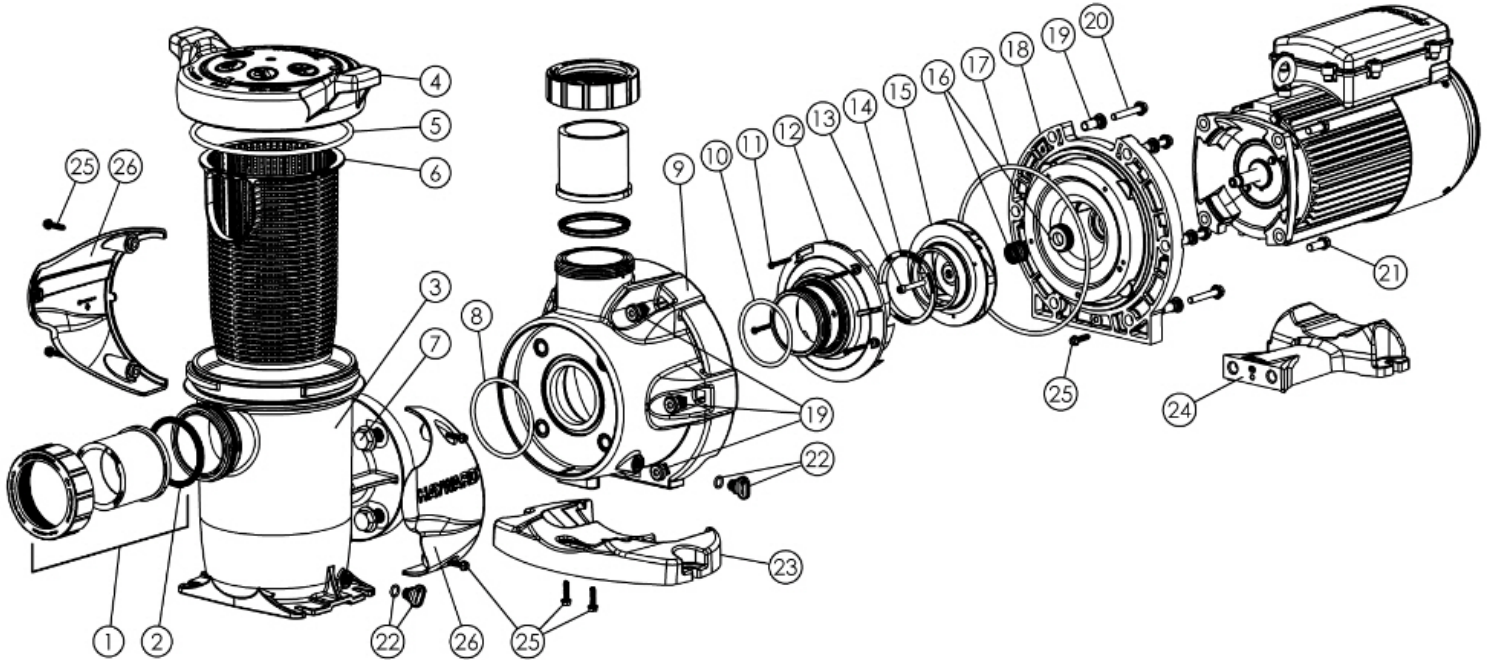
HOUSING BOLT TORQUE PATTERN

Fig 7.6.1

# 8.Replacement Parts

## Parts Diagram

Figure 0-1



## Parts Listing

Ref. No.	Part No.	Description	No. Req'd
1	HCXP3000UNKIT	Union Connector Kit (Includes Union Nut, Union Connector, Union Gasket – 2 each)	1
2	HCXP3000UG	Union Gasket	1
3	HCXP3000H	Strainer Housing with Drain Plug	1
4	HCXP3000DLS	Strainer Cover Kit (Includes Strainer Cover, Lock Ring, O-Ring)	1
5	SPX4000S	Strainer Cover O-Ring	1
6	HCXP3000M	Strainer Basket	1
7	HCXP3000Z3	Strainer Housing Flange Bolt/Washer	4
8	HCXP343V70	Strainer Housing Flange O-Ring	1
9	HCXP3000A	Pump Housing with Drain Plug	1
10	HCXP338V60	Diffuser O-Ring	1
11	SPX2700z3SSPAK4	Diffuser Screws (4 Pack)	1
12	HCXP3000B	Diffuser, 2 - 5 HP	1
12	HCXP3000B2	Diffuser, 7 HP	1
13	SPX3200Z1	Impeller Screw	1
14	HCXP3000R	Impeller Ring, 2 - 5 HP	1
14	HCXP3001R	Impeller Ring, 7 HP	1
15	HCXP3020C	2 HP Impeller with Impeller Screw	1
15	HCXP3030C	3 HP Impeller with Impeller Screw	1
15	HCXP3050C	5 HP Impeller with Impeller Screw	1
15	HCXP3070C	7 HP Impeller with Impeller Screw	1
16	SPX4000SAV	Shaft Seal Assembly	1
17	HCXP369V70	Pump Housing O-Ring	1
18	HCXP3000E	Seal Plate	1



Ref. No.	Part No.	Description	No. Req'd
19	SPX3200Z211	Housing Insert/Seal Plate Spacer	6
20	SPX3200Z3	Housing Bolt	6
21	SPX3200Z34PAK4	Motor Bolt (4 Pack)	1
22	SPX4000FG	Drain Plug with O-Ring	1
23	HCXP3000F	Pump Housing Base	1
24	HCXP3000G	Motor Support Base	1
25	SPX1600Z5SSPAK7	Base Screws (7 Pack)	1
26	HCXP3000N250	Right and Left Side Plate Set, Platinum Color	1
26	HCXP3000N251	Right and Left Side Plate Set, Blue Color	1
	<b>MOTORS</b>		
	HCXP3020Z1M	Motor, 2HP, Single Phase 208-230V	1
	HCXP3020Z1D	Motor, 2HP, Three Phase 208-230/460V	1
	HCXP3030Z1M	Motor, 3HP, Single Phase 208-230V	1
	HCXP3030Z1D	Motor, 3HP, Three Phase 208-230/460V	1
	HCXP3050Z1M	Motor, 5HP, Single Phase 208-230V	1
	HCXP3050Z1D	Motor, 5HP, Three Phase 208-230/460V	1
	HCXP3075Z1D	Motor, 7HP, Three Phase 208-230/460V	1
	HCXP3020Z1DC	Motor, 2HP, Three Phase 575V	1
	HCXP3030Z1DC	Motor, 3HP, Three Phase 575V	1
	HCXP3050Z1DC	Motor, 5HP, Three Phase 575V	1
	HCXP3075Z1DC	Motor, 7HP, Three Phase 575V	1

## 9. Troubleshooting

### General Problems

- **Motor Will NOT Start:**
  1. Make sure the terminal board connections agree with the wiring diagram on the pump data plate label.
  2. Be sure the pump is wired for the available field supply voltage.
  3. Check for and correct any improper or loose wiring connections; open switches or relays; tripped circuit breakers, or blown fuses.
  4. Manually check rotation of the motor shaft for free movement and lack of obstruction. Correct if necessary.
- **Motor Shuts OFF:**
  1. Check for low voltage or power drop at the motor (frequently caused by undersized wiring). Contact a qualified professional to verify the electrical connections and that the voltage is within +/- 10% of the motor nameplate voltage rating.
- **Motor Hums, But Does NOT Start:**
  1. Check power supply voltage. Contact a qualified professional if the voltage is more than 10% lower than the motor nameplate voltage rating.
  2. Impeller jammed with debris. Have a qualified repair professional open the pump and remove the debris.
- **Pump Won't Prime:**
  1. Empty pump/strainer housing. Make sure the pump/strainer housing is filled with water & the cover o-ring is clean. Ensure the o-ring is properly seated in the cover o-ring groove. Ensure the o-ring sealing surface is lubricated with "Jack's 327" and that the strainer cover is locked firmly in position. Lubricant will help to create a tighter seal.
  2. Loose connections on the suction side. Tighten the pipe/union connections.  
**NOTE** - Any self-priming pump will not prime if there are suction air leaks. Leaks will result in bubbles emanating from the return fittings on the pool wall.
  3. Leaking O-ring or packing glands on valves. Tighten, repair, or replace the valves.





4. Strainer basket or skimmer basket loaded with debris. Remove the strainer housing cover or the skimmer cover. Clean the basket, and refill the strainer housing with water. Tighten the cover.
  5. Suction side clogged. Contact a qualified repair professional. You should have 5" - 6" of vacuum at the strainer cover (your pool dealer can confirm this with a vacuum gauge). You may be able to check by removing the skimmer basket and holding an object over the bottom port with the skimmer full and the pump running. If no suction is felt, check for line blockage.
    - a. If the pump develops a vacuum, check for a blocked suction line or a dirty strainer basket. An air leak in the suction piping may be the cause.
    - b. If the pump does not develop a vacuum and the pump has sufficient "priming water":
      - I. Re-check the strainer housing cover and all threaded connections for suction leaks. Check if all system hose clamps are tight.
      - II. Check voltage to ensure that the motor is rotating at full rpm's.
      - III. Open the housing cover and check for clogging or obstruction in suction. Check the impeller for debris.
      - IV. Remove and replace the shaft seal only if it is leaking.
- **Low Flow – Generally:**
    1. Clogged or restricted strainer or suction line. Clean skimmer strainer basket and/or pump strainer basket. Contact a qualified repair professional.
    2. Undersized pool piping. Correct the piping size.
    3. Plugged or restricted discharge line of filter, valve partially closed (high gauge reading). Sand filters – backwash as per manufacturer's instructions; D.E. filters – backwash as per manufacturer's instructions; Cartridge filters – clean or replace the cartridge.
    4. Air leak in suction (bubbles issuing from return fittings). Re-tighten the suction and discharge connections using PTFE tape. Inspect other plumbing connections, and tighten as required.
    5. Plugged, restricted, or damaged impeller. Replace the impeller including a new seal assembly.
  - **Noisy Pump:**
    1. Air leak in suction piping, cavitation caused by restricted or undersized suction line or leak at any joint, low water level in pool, and unrestricted discharge return lines. Correct the suction condition or throttle return lines, if practical. Holding your hand over the return fitting will sometimes prove this, or by putting in a smaller eyeball fitting.
    2. Vibration due to improper mounting, etc. Mount the pump on a level surface and secure the pump to the equipment pad.
    3. Foreign matter in the pump housing. Loose stones/debris hitting the impeller could be the cause. Clean the pump housing.
    4. Motor bearings can become noisy from normal wear, rust, overheating or concentration of chemicals. If the motor bearing seal is damaged from leaks, chlorinated water can seep into bearing washing out the grease and could cause the motor bearing to whine. Replace the motor and any seal leaks should be repaired at once by replacing the shaft seal.
    5. Place pump closer to water level.



# HAYWARD®

## 10. Warranty

### HAYWARD® POOL PRODUCTS LIMITED WARRANTY

To original purchasers of this equipment, Hayward Pool Products, Inc. warrants its pumps to be free from defects in materials and workmanship for a period of ONE (1) year from the date of purchase, when used in single family residential applications.

The limited warranty excludes damage from freezing, negligence, improper installation, improper use or care or any Acts of God. Parts that fail or become defective during the warranty period shall be repaired or replaced, at our option, within 90 days of the receipt of defective product, barring unforeseen delays, without charge.

Proof of purchase is required for warranty service. In the event proof of purchase is not available, the manufacturing date of the product will be the sole determination of the purchase date.

To obtain warranty service, please contact the place of purchase or the nearest Hayward Authorized Service Center. For assistance on your nearest Hayward Authorized Service Center please visit us at [www.hayward.com](http://www.hayward.com).

Hayward shall not be responsible for cartage, removal, repair or installation labor or any other such costs incurred in obtaining warranty replacements or repair.

The Hayward Pool products warranty does not apply to components manufactured by others. For such products, the warranty established by the respective manufacturer will apply.

The express limited warranty above constitutes the entire warranty of Hayward Pool Products with respect to its' pool products and is in lieu of all other warranties expressed or implied, including warranties of merchantability or fitness for a particular purpose. In no event shall Hayward Pool products be responsible for any consequential, special or incidental damages of any nature.

Some states do not allow a limitation on how long an implied warranty lasts, or the exclusion of incidental or consequential damages, so the above limitation may not apply to you. This warranty gives you specific legal rights, and you may also have other rights, which vary from state to state.

**\*Supersedes all previous publications.**

**Hayward Pool Products  
620 Division Street  
Elizabeth, NJ 07207**



# HAYWARD®

## 11. Product Registration

DATE OF INSTALLATION	_____
INITIAL PRESSURE GAUGE READING (CLEAN FILTER)	_____
PUMP MODEL	_____

\*Retain this Warranty Certificate in a safe and convenient location for your record.

**DETACH HERE: Fill out bottom portion completely and mail within 10 days of purchase/installation or register online at [WWW.HAYWARD.COM](http://WWW.HAYWARD.COM)**

### HCP3000 SERIES Pump

Please Print Clearly:

First Name \_\_\_\_\_ Last Name \_\_\_\_\_

Street Address \_\_\_\_\_

City \_\_\_\_\_ State \_\_\_\_\_ Zip \_\_\_\_\_

Phone Number \_\_\_\_\_ Purchase Date \_\_\_\_\_

E-Mail Address \_\_\_\_\_

Serial Number																				
---------------	--	--	--	--	--	--	--	--	--	--	--	--	--	--	--	--	--	--	--	--

(10-17 digit number)

Model Number \_\_\_\_\_

Pool Capacity \_\_\_\_\_ (U.S. Gallons)

Please include me on all e-mail communications regarding Hayward Equipment or promotions.

**Mail to: Hayward Pool Products, 620 Division Street, Elizabeth, NJ 07207**

**Attn: Warranty Dept**

**Or REGISTER YOUR WARRANTY ON-LINE AT [WWW.HAYWARD.COM](http://WWW.HAYWARD.COM)**

### Warranty Card Registration

Years Pool has been in service  
 < 1 year    1-3    4-5    6-10    11-15    >15

Purchased from \_\_\_\_\_  
 Builder    Retailer    Pool Service    Internet/Catalog

Company Name \_\_\_\_\_  
 Address \_\_\_\_\_  
 City \_\_\_\_\_ State \_\_\_\_\_ Zip \_\_\_\_\_  
 Phone \_\_\_\_\_

Type of Pool:  
 Concrete/Gunite    Vinyl    Fiberglass  
 Other \_\_\_\_\_

New Installation                       Replacement

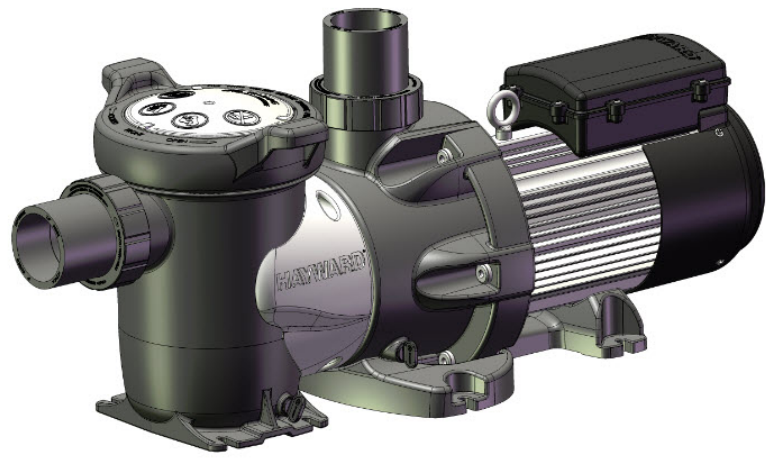
Installation for:  
 In Ground    Spa



Hayward is a registered trademark and HCP3000 SERIES is a trademark of Hayward Industries, Inc.  
© 2016 Hayward Industries, Inc.

# Pompe à HCP3000 SERIES

## Guide d'utilisation






### Table des matières

Table des matières.....	18
Avertissements généraux.....	19
Installation et câblage.....	23
Démarrage et fonctionnement.....	26
Changer le joint d'arbre.....	27
Pièces de remplacement.....	30
Garantie.....	35
Enregistrement.....	36

## CONSIGNES DE SÉCURITÉ IMPORTANTES

Les pompes de la gamme HCP3000 Series de Hayward sont des pompes autoamorçantes haute technologie qui combinent performance, fiabilité et rapport qualité-prix, en plus d'être construites pour durer. Conçues pour les piscines commerciales de tous les types et de toutes les dimensions, les pompes de la gamme HCP3000 Series sont dotées de raccords unions de 2-1/2 po x 3 po pouvant être raccordés à des tuyauteries de différentes configurations et d'un couvercle de crépine Cam and Ramp qui se ferme en moins d'un quart de tour. Les pompes de la gamme HCP3000 Series sont le choix idéal pour les nouvelles constructions ainsi que comme pompe de remplacement.

**Les mesures de sécurité de base doivent toujours être respectées, y compris celles qui suivent. Le non-respect des consignes peut entraîner de graves blessures ou la mort.**

-  Ceci est le symbole d'avertissement. Lorsque vous voyez ce symbole sur votre appareil ou dans ce guide, il sera accompagné de l'un ou l'autre des mots suivants. Soyez conscient du risque potentiel de blessures corporelles.
-  **AVERTISSEMENT** vous indique qu'il y a un risque qui **pourrait** entraîner de graves blessures corporelles, la mort ou des dommages matériels importants et, si la consigne est ignorée, qu'il y a un risque potentiel.
-  **MISE EN GARDE** vous indique qu'il y a un risque qui **entraînera** ou qui **peut entraîner** des blessures corporelles ou des dommages matériels mineurs ou modérés et, si la consigne est ignorée, qu'il y a un risque potentiel. Ce symbole informe également le consommateur au sujet d'actions qui sont imprévisibles et non sécuritaires.

La mention **AVIS** fournit des consignes particulières qui sont importantes, mais qui ne sont pas reliées à des risques.

Hayward Pool Products  
2880, rue Plymouth Dr., Oakville (Ontario) L6H 5R4  
Téléphone : 1 888 238-7665  
[www.haywardpool.ca](http://www.haywardpool.ca)



## Table des matières

1.	CONSIGNES DE SÉCURITÉ IMPORTANTES .....	19
2.	Information générale .....	22
2.1.	Introduction .....	22
2.2.	Caractéristiques principales .....	22
2.3.	Dimensions du produit .....	22
3.	Installation et câblage .....	23
3.1.	Emplacement de la pompe .....	23
3.2.	Installation de la pompe .....	23
3.3.	Tableau des dimensions des tuyaux .....	23
3.4.	Tuyauterie .....	23
3.5.	Système électrique .....	24
3.6.	Spécifications électriques .....	24
3.7.	Tension .....	24
3.8.	Mise à la terre et liaison .....	25
3.9.	Câblage .....	25
4.	Démarrage et fonctionnement.....	26
4.1.	Avant le démarrage .....	26
4.2.	Démarrage et amorçage de la pompe .....	26
5.	Entretien.....	27
6.	Entretien et aménagement hivernal.....	27
6.1.	Entreposage de la pompe Durant l'hiver .....	27
7.	Instructions pour changer le joint d'arbre.....	28
7.1.	Enlever le moteur .....	28
7.2.	Enlever l'impulseur .....	28
7.3.	Enlever le siege en céramique .....	28
7.4.	Installer le joint .....	29
7.5.	Replacer l'impulseur et le diffuseur .....	29
7.6.	Replacer le moteur .....	29
8.	Pièces de remplacement.....	30
8.1.	Schéma des pièces .....	30
8.2.	Liste des pièces .....	31
9.	Dépannage .....	32
9.1.	Problèmes généraux .....	32
10.	Garantie .....	35
GARANTIE LIMITÉE DE Hayward® Pool Products .....		35
11.	Enregistrement du produit .....	36



## 1. CONSIGNES DE SÉCURITÉ IMPORTANTES



### **⚠ AVERTISSEMENT – LISEZ ET SUIVEZ TOUTES LES INSTRUCTIONS**

décrites dans ce guide d'utilisation ainsi que celles indiquées sur l'appareil. Le non-respect des instructions pourrait entraîner de graves blessures ou la mort.

**⚠ AVERTISSEMENT** – Ce produit devrait être installé et réparé uniquement par un professionnel qualifié.  
**L'UTILISATION DE PIÈCES DE REMPLACEMENT NON D'ORIGINE HAYWARD ANNULE LA GARANTIE.**

**À L'ATTENTION DE L'INSTALLATEUR – CE GUIDE D'UTILISATION CONTIENT D'IMPORTANTES INFORMATIONS CONCERNANT L'INSTALLATION, LE FONCTIONNEMENT ET L'UTILISATION SÉCURITAIRES DE CETTE POMPE QUI DOIVENT ÊTRE TRANSMISES À L'UTILISATEUR. OMETTRE DE LIRE ET DE SUIVRE TOUTES LES CONSIGNES ET INSTRUCTIONS POURRAIT ENTRAÎNER DE GRAVES BLESSURES.**

**⚠ AVERTISSEMENT – Risque de piégeage par aspiration.** L'aspiration dans les sorties d'aspiration et/ou les couvercles de sorties d'aspiration qui sont endommagés, brisés, fissurés, manquants ou fixés de façon non sécuritaire peut causer de graves blessures et/ou la mort à cause des risques de piégeage suivants :

**Piégeage des cheveux** – Les cheveux peuvent s'entremêler dans le couvercle d'une sortie d'aspiration.

**Piégeage d'un membre** – Un membre inséré dans l'ouverture d'une sortie d'aspiration ou dans le couvercle d'une sortie d'aspiration qui est endommagé, brisé, fissuré, manquant ou fixé de façon non sécuritaire peut causer de l'enflure ou le coincement mécanique d'un membre.

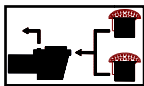
**Piégeage du corps par aspiration** – Une pression négative appliquée sur une grande partie du corps ou aux membres peut entraîner le piégeage.

**Éviscération/Éventrement** – Une pression négative appliquée directement sur les intestins par le biais d'une ouverture d'une sortie d'aspiration ou du couvercle d'une sortie d'aspiration qui est endommagé, brisé, fissuré, manquant ou fixé de façon non sécuritaire peut entraîner l'éviscération ou l'éventrement.

**Piégeage mécanique** – Il est possible qu'un bijou, un maillot de bain, une décoration de cheveux, un doigt, un orteil ou une jointure se coince dans l'ouverture d'une sortie d'aspiration ce qui pourrait mener au piégeage mécanique.

**⚠ AVERTISSEMENT – Pour réduire les risques de piégeage :**

- Lorsque les sorties sont assez petites de sorte qu'une personne puisse les bloquer, au moins deux sorties d'aspiration doivent être installées. Une distance minimale de 1 m (3 pieds), mesurée entre les deux points les plus rapprochés, doit séparer les sorties d'aspiration situées sur une même paroi (mur ou fond).
- Deux sorties d'aspiration doivent être installées dans des endroits et séparées par des distances qui ne permettent pas à un utilisateur de les bloquer.
- Deux sorties d'aspiration ne doivent pas être installées sur les places assises ou sur le dossier des places assises.
- Le débit maximal dans un système ne doit pas dépasser les valeurs indiquées sur le couvercle de la sortie d'aspiration.
- N'utilisez jamais la piscine ou le spa si l'une des composantes d'une sortie d'aspiration est endommagée, brisée, fissurée, manquante ou fixée de façon non sécuritaire.
- Remplacez immédiatement toute composante d'une sortie d'aspiration qui est endommagée, brisée, fissurée, manquante ou fixée de façon non sécuritaire.
- De plus, deux sorties d'aspiration sont nécessaires pour chacune des pompes installées conformément aux plus récentes normes de l'ASME et de l'APSP et aux directives du CPSC. Suivez également tous les codes nationaux, provinciaux, territoriaux et locaux applicables.
- L'installation d'un casse-vide ou d'un circuit de mise à l'air libre qui libère la force d'aspiration est recommandée.



**⚠ AVERTISSEMENT** – Omettre de retirer les bouchons pour essais de pression et/ou les bouchons utilisés lors de l'aménagement hivernal des sorties d'aspiration peut augmenter le risque de piégeage par aspiration, comme décrit précédemment.



# HAYWARD®

**⚠ AVERTISSEMENT** – Omettre de garder les sorties d'aspiration libres de débris, tels que feuilles, saletés, cheveux, papiers ou autres peut augmenter le risque de piégeage par aspiration, comme décrit précédemment.

**⚠ AVERTISSEMENT** – Les composantes des sorties d'aspiration ont une durée de vie utile limitée. Le couvercle et la grille doivent être inspectés régulièrement et remplacés au moins tous les sept ans ou lorsqu'ils sont endommagés, brisés, fissurés, manquants ou fixés de façon non sécuritaire.

**⚠ MISE EN GARDE** – Les composantes, telles que le système de filtration, les pompes et le chauffe-piscine doivent être placés de sorte qu'elles ne permettent pas à de jeunes enfants d'avoir accès à la piscine. Pour réduire le risque de blessures, ne permettez pas aux enfants d'utiliser ou de grimper sur cet appareil. En tout temps, supervisez de près les enfants. Les composantes, telles que le système de filtration, les pompes et les chauffe-piscines doivent être placés de sorte qu'elles ne permettent pas aux enfants d'avoir accès à la piscine.



**⚠ AVERTISSEMENT** – **Pression dangereuse.** Le système de circulation d'eau d'une piscine ou d'un spa fonctionne sous des pressions dangereuses lors du démarrage, du fonctionnement normal et après l'arrêt de la pompe. N'approchez pas de l'appareil associé au système de circulation au moment du démarrage de la pompe. À cause de la pression dans le système, le non-respect des instructions de fonctionnement et consignes de sécurité peut provoquer la séparation violente du boîtier de la pompe et de son couvercle et/ou du boîtier du filtre et de son anneau de retenue ce qui peut causer des dommages matériels et de graves blessures ou la mort. Avant de procéder à l'entretien du système de circulation de l'eau d'une piscine ou d'un spa, les commandes du système de circulation et de la pompe doivent être en position « OFF » et la vanne manuelle de mise à l'air libre du filtre ouvert. Avant de démarrer la pompe du système, toutes les vannes du système doivent être réglées à une position qui permet à l'eau de retourner vers la piscine. Ne changez pas la position de la vanne de commande de la pompe alors que la pompe fonctionne. Avant de démarrer la pompe du système, ouvrez complètement la vanne manuelle de mise à l'air libre du filtre. Ne fermez pas la vanne manuelle de mise à l'air libre du filtre avant qu'un jet d'eau continu ne circule (pas d'air ou un mélange d'air et d'eau). Toutes les vannes d'aspiration et de retour DOIVENT être OUVERTES au moment de démarrer le système de circulation de l'eau. Négliger de procéder ainsi pourrait entraîner de graves blessures ou des dommages matériels importants.



**⚠ AVERTISSEMENT** – **Risque de séparation.** Le non-respect des instructions de fonctionnement et consignes de sécurité peut provoquer la séparation violente des composantes de la pompe. Le couvercle de la crépine doit être fixé adéquatement au boîtier de la pompe à l'aide de l'anneau de retenue du couvercle de la crépine. Avant de procéder à l'entretien du système de circulation de l'eau de la piscine ou du spa, la vanne manuelle de mise à l'air libre doit être ouverte. Ne faites pas fonctionner le système de circulation de l'eau de la piscine ou du spa si l'une ou l'autre des composantes n'est pas assemblée de façon adéquate ou est endommagée ou manquante. Ne faites pas fonctionner le système de circulation d'une piscine ou d'un spa à moins que la vanne manuelle de mise à l'air libre soit en position de blocage dans le haut du filtre. Toutes les vannes d'aspiration et de retour DOIVENT être OUVERTES lors du démarrage du système de circulation d'eau. Négliger de procéder ainsi pourrait entraîner de graves blessures ou des dommages matériels importants. **Ne jamais faire fonctionner ou vérifier le système de circulation alors que la pression est supérieure à 50 psi. Ne purgez pas le système avec de l'air comprimé.** La purge du système avec de l'air comprimé peut causer l'explosion de certaines composantes et entraîner de graves blessures ou même la mort de toute personne à proximité. Utilisez seulement un ventilateur à basse pression (moins de 5 psi) et à haut volume lorsque vous purgez une pompe, le filtre ou la tuyauterie avec de l'air comprimé.



**⚠ AVERTISSEMENT** – **Risque de choc électrique.** Tout le câblage électrique DOIT être conforme aux codes et règlements locaux applicables et au Code canadien de l'électricité (CCE). Une tension dangereusement élevée peut causer un choc électrique, des brûlures ainsi que la mort ou d'importants dommages matériels. Pour réduire le risque de choc électrique, N'UTILISEZ PAS de rallonge électrique pour raccorder l'appareil à la source d'alimentation. Assurez-vous que la prise de courant est bien située. Coupez l'alimentation électrique avant de travailler sur un appareil sous tension. Remplacez immédiatement tout câble endommagé afin de réduire le risque de choc électrique. Localisez le conduit de câbles afin de ne pas l'endommager avec la tondeuse, le taille-haie ou tout autre appareil. Ne raccordez PAS le fil de mise à la terre à une conduite de gaz.

**⚠ AVERTISSEMENT** – **Risque de choc électrique.** Négliger de mettre à la terre tout appareil électrique peut engendrer un risque de choc électrique grave, même mortel. Tout appareil électrique doit être mis à la terre avant d'être raccordé à l'alimentation électrique.



# HAYWARD®

**⚠️ AVERTISSEMENT – Risque de choc électrique.** Négliger de lier tout appareil électrique à la structure de la piscine augmente le risque de décharge électrique qui pourrait causer des blessures ou la mort. Pour réduire le risque de choc électrique, lisez les instructions d'installation et consultez un électricien quant à la façon de lier tout appareil électrique.

Consultez également un électricien pour connaître les exigences des codes électriques locaux en matière de liaison de l'appareil. **Remarques aux électriciens :** Utilisez un conducteur de cuivre continu de 8 AWG ou plus. Raccordez un fil continu entre la cosse de mise à la terre et une barre ou un treillis d'armature. Raccordez un fil de liaison de cuivre continu de 8 AWW (8,4 mm<sup>2</sup>) [au Canada 6 AWG (13,3 mm<sup>2</sup>)] au connecteur de fil à pression présent sur l'appareil électrique et toutes pièces de métal de la piscine, du spa et aux conduites de métal (sauf les conduites de gaz) dans un rayon de 1,5 m (5 pi) des murs intérieurs de la piscine ou du spa.

**IMPORTANT** – Consultez les codes du CCE pour toutes les normes en matière de câblage y compris, mais sans s'y limiter, la mise à la terre, la liaison et autres procédures générales de câblage.

**⚠️ AVERTISSEMENT – Risque de choc électrique.** L'appareil électrique doit être raccordé uniquement à un circuit d'alimentation protégé par un disjoncteur de fuite à la terre (GFCI). Le disjoncteur de fuite à la terre doit être fourni par l'installateur et doit être testé régulièrement. Pour tester le disjoncteur, appuyez sur le bouton « Test ». Le disjoncteur de fuite à la terre doit couper le courant. Appuyez ensuite sur le bouton « Reset ». L'alimentation électrique devrait être rétablie. Si le disjoncteur ne fonctionne pas de cette façon, il est défectueux. Si le disjoncteur de fuite à la terre coupe le courant sans que le bouton « Test » ait été appuyé, un courant à la terre circule; il y a donc possibilité de choc électrique. N'utilisez pas cet appareil. Déconnectez cet appareil électrique et confiez la réparation à un représentant qualifié avant de l'utiliser.

**⚠️ MISE EN GARDE** – Les pompes HAYWARD<sup>MD</sup> sont conçues pour fonctionner avec des piscines installées de façon permanente et peuvent également être utilisées avec un spa, lorsque cela est indiqué. N'utilisez pas cet appareil avec une piscine démontable. Une piscine installée de façon permanente est construite sur ou dans le sol ou dans un édifice de sorte qu'elle ne peut pas être démontée et entreposée facilement. Une piscine démontable est construite pour être démontée et entreposée facilement et ensuite être réinstallée en reprenant sa forme d'origine. Bien que ce produit soit conçu pour une utilisation extérieure, il est fortement recommandé de protéger les composants électriques des intempéries. Choisissez un endroit bien drainé qui ne sera pas inondé en cas de pluie. Une libre circulation d'air est nécessaire pour le refroidissement. N'installez pas dans un endroit humide ou non aéré. Si la pompe est installée dans une structure extérieure ou sous les volets d'un spa, une ventilation adéquate et une libre circulation de l'air doivent être fournies pour empêcher que le moteur ne surchauffe.

**⚠️ AVERTISSEMENT – Risque d'incendie et de brûlures.** Les moteurs fonctionnent à haute température et s'ils ne sont pas isolés adéquatement de toute structure inflammable ou de débris d'objets étrangers, ils peuvent causer un incendie qui pourrait entraîner de graves blessures ou la mort. Afin de minimiser le risque de brûlures, il est également nécessaire de permettre au moteur de refroidir durant au moins 20 minutes avant de procéder à un entretien.

**⚠️ AVERTISSEMENT** – Négliger d'installer la pompe conformément aux instructions fournies pourrait entraîner de graves blessures ou la mort.

**⚠️ AVERTISSEMENT – Risque d'hyperthermie.** Afin d'éviter l'hypothermie, les « Règles de sécurité pour les spas » qui suivent sont recommandées par le Consumer Product Safety Commission des États-Unis.

1. La température de l'eau d'un spa ne devrait jamais dépasser 40 °C (104 °F). Une température de 38 °C (100 °F) est considérée comme étant sécuritaire pour un adulte en santé. On recommande de faire preuve de prudence dans le cas des jeunes enfants. Une immersion prolongée dans l'eau chaude peut causer de l'hyperthermie.
2. La consommation de boissons alcoolisées avant ou pendant l'utilisation d'un spa peut entraîner des étourdissements qui peuvent causer une perte de conscience et mener à une noyade.
3. Les femmes enceintes doivent être prudentes! Tremper dans une eau à une température excédant 38 °C (100 °F) peut avoir des effets nocifs sur le fœtus dans les trois premiers mois de la grossesse (pouvant entraîner la naissance d'un enfant déformé ou atteint de lésion cérébrale). Les femmes enceintes devraient respecter la règle fixant la température maximale à 38 °C (100 °F).
4. Avant d'entrer dans le spa, les utilisateurs devraient vérifier la température de l'eau à l'aide d'un thermomètre précis; la régulation de la température par le thermostat d'un spa peut être erronée de 2,2 °C (4 °F).
5. Les personnes qui prennent des médicaments qui causent de la somnolence comme les tranquillisants, les antihistaminiques ou les anticoagulants ne devraient pas utiliser le spa.



# HAYWARD®

6. Si la piscine ou le spa sont utilisés dans le cadre d'un traitement, l'utilisation devrait se faire selon les recommandations d'un médecin. Agitez toujours l'eau de la piscine ou du spa avant d'y entrer afin de mélanger l'eau en surface qui est plus chaude et qui pourrait excéder les limites de températures saines et entraîner des blessures. N'altérez pas les boutons de commande, puisque vous pourriez subir des échaudures si les commandes de sûreté ne fonctionnent pas adéquatement.
7. Les personnes qui ont des antécédents de maladie du cœur ou de problèmes de circulation, de diabète ou de pression sanguine devraient consulter un médecin avant d'utiliser un spa.
8. L'hyperthermie se produit lorsque la température interne du corps atteint des températures plusieurs degrés au-dessus de la température normale du corps qui est de 37 °C (98.6 °F). Les symptômes d'hyperthermie comprennent : la somnolence, la léthargie, les étourdissements, la perte de conscience et l'augmentation de la température interne du corps.

**Les effets de l'hypothermie comprennent :**

1. Ignorance d'un danger imminent.
2. Incapacité à percevoir la chaleur.
3. Incapacité à reconnaître qu'il est temps de sortir du spa.
4. Incapacité physique à sortir du spa.
5. Effets nocifs sur le fœtus chez les femmes enceintes.
6. Perte de conscience qui entraîne un danger de noyade.

## CONSERVEZ CES INSTRUCTIONS

## 2. Information générale

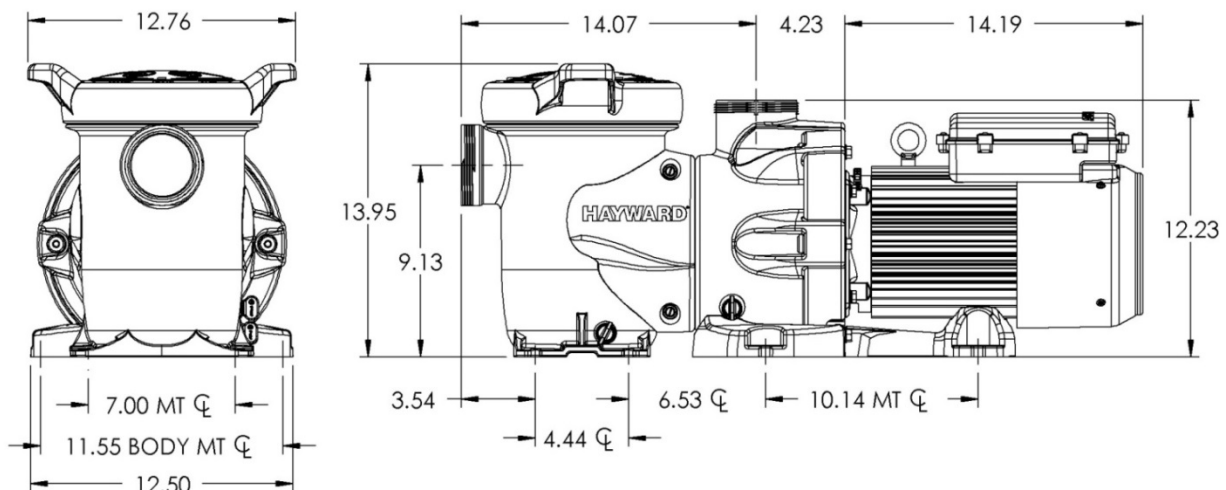
### 2.1 Introduction

Ce guide contient les informations pour l'installation et le fonctionnement adéquats de la pompe HCP3000 de Hayward. Les consignes et instructions fournies dans ce guide **DOIVENT** être suivies à la lettre. **Ne pas suivre les instructions d'installation annulera la garantie.**

### 2.2 Caractéristiques principales

- Conception hydraulique avancée pour une meilleure efficacité et capacité d'amorçage.
- Tous les modèles sont dotés de raccords unions de 2-1/2 po x 3 po.
- Le couvercle de la crépine est transparent ce qui vous permet de voir quand le panier doit être nettoyé et il se ferme en moins d'un quart de tour.
- Peut être testée jusqu'à une pression maximale de 50 psi.
- Autoamorçante (hauteur d'aspiration jusqu'à 3 m (10 pi) au-dessus du niveau de l'eau)

### 2.3 Dimensions du produit

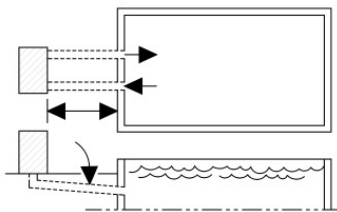


### 3. Installation et câblage

**▲ AVERTISSEMENT** – Cet appareil devrait être installé et réparé uniquement par un professionnel qualifié.

#### 3.1 Emplacement de la pompe

**▲ AVERTISSEMENT – Risque d'incendie et de brûlures.** Les moteurs fonctionnent à haute température et s'ils ne sont pas isolés adéquatement de toute structure inflammable ou de débris d'objets étrangers, ils peuvent causer un incendie qui pourrait entraîner de graves blessures ou la mort. Afin de minimiser le risque de brûlures, il est également nécessaire de permettre au moteur de refroidir durant au moins 20 minutes avant de procéder à un entretien.



Placez la pompe le plus près possible de la piscine et installez les tuyaux d'aspiration le plus directement possible afin de réduire les pertes dues à la friction. Les tuyaux d'aspiration devraient avoir une pente ascendante constante, et ce, à partir du point le plus bas du tuyau. Les raccords doivent être serrés (mais pas trop serré). Le diamètre du tuyau d'aspiration doit être égal ou plus grand que celui du tuyau de décharge.

Bien que la pompe soit conçue pour une utilisation extérieure, on recommande de placer la pompe et le filtre dans un endroit ombragé pour les protéger contre la chaleur directe et continue. Choisissez un endroit bien drainé qui ne sera pas inondé lorsqu'il pleut. N'installez PAS la pompe et le filtre dans un endroit humide ou non ventilé. Maintenez le moteur propre. Le moteur de la pompe requiert une libre circulation de l'air pour assurer le refroidissement.

#### 3.2 Installation de la pompe

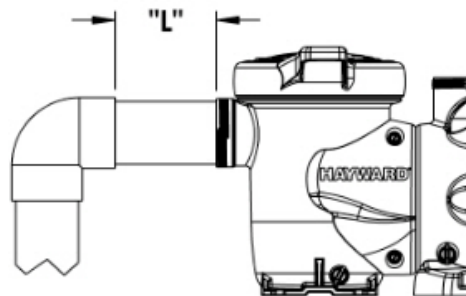
Installez la pompe sur une dalle de béton nivelée ou sur une autre surface rigide qui respecte tous les codes locaux et nationaux. Fixez la pompe à la base à l'aide de vis ou de boulons pour réduire davantage les vibrations et le stress sur les tuyaux et les raccords. La base doit être nivelée, rigide et sans vibration.

L'installation de la pompe doit être telle que :

- La hauteur de l'entrée de la pompe soit aussi près que possible du niveau de l'eau.
- Un tuyau d'aspiration court et direct soit utilisé (pour réduire les pertes par friction).
- Des vannes puissent être installées dans la tuyauterie d'aspiration et de décharge.
- La pompe soit à l'abri d'humidité excessive et d'inondation.
- La pompe et la tuyauterie soient facilement accessibles en cas de réparations ou d'entretien.

#### 3.3 Tableau des dimensions des tuyaux

DIMENSIONS MINIMALES DES TUYAUX D'ENTRÉE	
Dimensions des tuyaux pouces [mm]	Dimensions des tuyaux pouces [mm]
2 ½ po [64]	2 ½ po [64]
3 po [76]	3 po [76]
4 po [102]	4 po [102]
6 po [152]	6 po [152]



**Remarque :** On recommande d'utiliser, entre l'entrée d'aspiration de la pompe et tout autre raccord de tuyauterie (coude, vanne, etc.), un tuyau droit (indiqué sur le diagramme par « L ») d'une longueur correspondant à au moins 5 fois le diamètre du tuyau

#### 3.4 Tuyauterie

1. Tous les raccords de plastique doivent être neufs ou très bien nettoyés avant d'être utilisés.

**REMARQUE – N'utilisez PAS de pâte de joint puisqu'elle pourrait causer des fissures dans les composantes en plastique.**



2. La vitesse maximale de l'eau est au plus six pieds par seconde à moins que la sortie soit conforme aux plus récentes spécifications de l'ASME/ANSI pour les raccords d'aspiration utilisés dans les piscines, spas et baignoires à remous.

Si 100 % du débit de la pompe provient du système de sortie d'aspiration, la vitesse maximale dans le système hydraulique d'aspiration de la pompe doit être au plus six pieds par seconde, même si un raccord d'une sortie d'aspiration est complètement bloqué. Le débit circulant dans les autres sorties d'aspiration doit être conforme aux plus récentes spécifications de l'ASME/ANSI pour les raccords d'aspiration utilisés dans les piscines, spas et baignoires à remous.

3. Les raccords (coudes, raccords en T, vannes, etc.) restreignent le débit. Pour assurer une meilleure efficacité, utilisez le moins de raccords possible. N'utilisez pas de raccords qui peuvent créer des poches d'air. Les raccords pour piscines et spas DOIVENT respecter les normes du International Association of Plumbing and Mechanical Officials (IAPMO).

### 3.5 Système électrique



**▲ AVERTISSEMENT** – Tout le câblage électrique DOIT respecter les codes et règlements locaux ainsi que le Code canadien de l'électricité (CCE).

**▲ AVERTISSEMENT** – La pompe doit être mise à la terre et liée avant d'être connectée à l'alimentation électrique. Négliger de mettre à la terre et de lier la pompe pourrait entraîner un risque de choc électrique grave et même mortel. N'utilisez PAS une conduite de gaz pour mettre à la terre. Pour éviter un choc électrique grave ou mortel, COUPEZ le courant à la pompe avant d'effectuer les connexions électriques. Risque d'incendie – assurez-vous que la tension fournie à la pompe correspond à la tension inscrite sur la plaque signalétique de la pompe. Vérifiez que l'alimentation électrique correspond à la tension, la phase et le cycle recommandés pour la pompe et que la dimension des fils est adéquate pour la cote de puissance et la distance séparant la pompe de l'alimentation électrique. Utilisez uniquement des conducteurs de cuivre.

### 3.6 Spécifications électriques

Utilisez uniquement des conducteurs de cuivre. Pour une utilisation intérieure et extérieure.

DONNÉES ÉLECTRIQUES 60 Hz					
MODÈLE DE POMPE	HP NOMINAL	HP TOTAL	PHASE	TENSION	PUISSANCE (A)
HCP30201	2	2,7	1	208-230	8,7-8,5
HCP30203	2	2,7	3	208-230/460	6,1-6,0/3,0
HCP30203C	2	2,7	3	575	2,4
HCP30301	3	3,45	1	208-230	11,7-11,5
HCP30303	3	3,45	3	208-230/460	9,2-9,0/4,5
HCP30303C	3	3,45	3	575	3,8
HCP30501	5	5,5	1	208-230	21,0-20,0
HCP30503	5	5,5	3	208-230/460	13,6-13,2/6,6
HCP30503C	5	5,5	3	575	5,4
HCP30703	7	7,49	3	208-230/460	19,8-17,2/8,6
HCP30703C	7	7,49	3	575	7,2

DONNÉES ÉLECTRIQUES 50 Hz					
MODÈLE DE POMPE	HP NOMINAL	HP TOTAL	PHASE	TENSION	PUISSANCE (A)
HCP30201	2	2	1	220-240	8,9-8,7
HCP30203	2	2	3	190/380-415	6,8/3,4-3,5
HCP30301	3	3	1	220-240	12,1-12,4
HCP30303	3	3	3	190/380-415	10,0/5,0-5,0
HCP30503	5	5	3	190/380-415	15,4/7,7-7,9
HCP30703	7	7	3	190/380-415	21,0/10,5-9,9





# HAYWARD®

## Pour câbler un moteur à une tension et à une vitesse

1. Coupez le courant.
2. Enlevez le couvercle du bout du moteur.
3. Il y a deux bornes identifiées L1 et L2. Fixez les fils d'alimentation à ces bornes. Les fils peuvent se connecter à l'une ou l'autre des bornes.
4. Replacez le couvercle du bout du moteur.

**▲ AVERTISSEMENT** – Si vous n'utilisez pas un conduit pour câbler le moteur, **assurez-vous** de sceller l'ouverture pour les fils à l'extrémité du moteur afin d'empêcher que les saletés, les insectes, etc. n'y pénètrent.

## 4. Démarrage et fonctionnement

### 4.1 Avant le démarrage

S'il est nécessaire de tester la pression de l'eau avant la première utilisation afin de vérifier que la tuyauterie fonctionne normalement, les critères suivants doivent être maintenus pour ce test :

1. Assurez-vous qu'un professionnel exécute ce test.
2. Assurez-vous que la pompe et toutes les composantes du système de Hayward sont enlevées du système avant de procéder au test.

**▲ AVERTISSEMENT** – Si l'équipement requis pour assurer la circulation doit rester dans la tuyauterie durant le test de la pression de l'eau, n'appliquez pas plus de 10 psi au système. Assurez-vous que la pression de l'eau a été libérée grâce à la vanne manuelle de mise à l'air libre avant d'enlever le couvercle de la crépine de la pompe.

**▲ AVERTISSEMENT** – Lorsque vous démarrez la pompe, toutes les vannes d'aspirations et les robinets de décharge DOIVENT être OUVERTS, en plus de la vanne de mise à l'air libre sur le filtre (le cas échéant). Négliger de procéder ainsi pourrait entraîner de graves blessures.

### 4.2 Démarrage et amorçage de la pompe

Tournez le couvercle de la crépine en sens antihoraire pour l'enlever. **Remplissez le boîtier de la crépine d'eau jusqu'au niveau du tuyau d'aspiration.** Replacez le couvercle de la crépine en le tournant en sens horaire et serrez-le à la main. S'il y a une fuite d'eau, peu importe l'endroit sur la pompe ou le filtre, **NE DÉMARREZ PAS** la pompe. S'il n'y a pas de fuite, tenez-vous à une distance de 3 m (10 pi) de la pompe et du filtre et procédez au démarrage de la pompe.

**▲ AVERTISSEMENT** – Retournez au filtre pour fermer la vanne manuelle de mise à l'air libre, lorsqu'un jet d'eau continu s'écoule de la vanne (pas de l'air ou un mélange d'air et d'eau). Négliger de procéder ainsi pourrait entraîner de graves blessures.

**▲ CAUTION – NE FAITES JAMAIS FONCTIONNER LA POMPE SANS EAU.** L'eau agit comme liquide de refroidissement et comme lubrifiant pour le joint d'arbre mécanique. Ne faites JAMAIS fonctionner la pompe à sec. En faisant fonctionner la pompe à sec, vous pourriez endommager les joints d'étanchéité, ce qui entraînerait des fuites ou une inondation et annulerait la garantie. Remplissez le boîtier de la pompe/crépine d'eau avant de commencer le moteur.

**▲ CAUTION** – N'AJOUTEZ PAS de produits chimiques directement devant le port d'aspiration de la pompe de la piscine ou du spa. L'ajout de produits chimiques non dilués peut endommager la pompe et annuler la garantie.

**▲ CAUTION** – Avant d'enlever le couvercle de la crépine :

1. ARRÊTEZ LA POMPE avant de procéder.
2. FERMEZ LES VANNES dans les tuyaux d'aspiration et de retour.
3. LIBÉREZ LA PRESSION dans la pompe et la tuyauterie en ouvrant la vanne manuelle de mise à l'air libre. Consultez le guide d'utilisation du filtre pour plus de détails.



# HAYWARD®

4. Si la source d'eau est plus élevée que la pompe, la pompe s'amorcera d'elle-même lorsque les vannes d'aspiration et de retour sont ouvertes. Si la source d'eau est plus basse que la pompe, dévissez et enlevez le couvercle de la crépine et remplissez le boîtier de la crépine d'eau.
5. Nettoyez et lubrifiez le joint torique du couvercle de la crépine avec du « Jack's 327 » au besoin.
6. Remplacez le couvercle de la crépine sur le boîtier.

**Remarque : Serrez l'anneau de retenue du couvercle de la crépine à la main seulement (n'utilisez pas de clé).**

Mettez la pompe sous tension et attendez qu'elle s'amorce; l'amorçage peut prendre jusqu'à quinze (15) minutes. Le temps d'amorçage dépend de la longueur verticale de la hauteur d'aspiration et de la longueur horizontale du tuyau d'aspiration. Si la pompe ne s'amorce PAS dans les 15 minutes, arrêtez le moteur et trouvez la cause. Lorsque la pompe fonctionne, assurez-vous que toutes les vannes dans les tuyaux d'aspiration et de décharge sont ouvertes. Consultez le guide de dépannage.

## 5. Entretien

- Nettoyez régulièrement le panier de la crépine. Ne le frappez PAS pour le nettoyer. Inspectez le joint d'étanchéité du couvercle de la crépine régulièrement et remplacez-le au besoin.
- Les pompes Hayward sont dotées de roulements pour moteur et de joints d'arbre autolubrifiants. Aucune lubrification n'est nécessaire.
- Maintenez le moteur propre. Assurez-vous que les sorties d'air du moteur ne sont pas obstruées afin de prévenir tout dommage. N'utilisez PAS un boyau d'arrosage pour laver le moteur.
- Occasionnellement, les joints d'arbre doivent être remplacés en raison d'usure ou de dommage. Remplacez-les par un joint d'arbre d'origine Hayward. Consultez la section « Instructions pour changer le joint d'arbre » dans ce guide.

## 6. Entretien et aménagement hivernal



**⚠ AVERTISSEMENT – Risque de séparation.** Ne purgez pas le système avec de l'air comprimé. La purge du système avec de l'air comprimé peut causer l'explosion de certaines composantes et entraîner de graves blessures ou même la mort de toute personne à proximité. Utilisez seulement un ventilateur à basse pression (moins de 5 psi) et à haut volume lorsque vous purgez une pompe, le filtre ou la tuyauterie avec de l'air comprimé.

**⚠ CAUTION** – Permettre que l'eau à l'intérieur de la pompe gèle annule la garantie.

**⚠ CAUTION** – Utilisez UNIQUEMENT du propylène glycol comme antigel dans le système de votre piscine ou spa. Le propylène glycol n'est pas toxique et n'endommage pas les composantes en plastique du système. Les autres antigels sont très toxiques et peuvent endommager les composantes en plastiques du système.

Drainez toute l'eau de la pompe et de la tuyauterie lorsque les températures peuvent descendre sous zéro ou lorsque vous entreposez la pompe pour une longue période de temps (consultez les instructions ci-dessous). Drainez le système par gravité autant que possible.

Maintenez le moteur au sec et couvert durant l'entreposage. Afin d'éviter des problèmes de condensation ou de corrosion, ne couvrez PAS ou n'emballiez PAS la pompe d'un film ou de sacs de plastique.

### 6.1 Entreposage de la pompe Durant l'hiver



**⚠ AVERTISSEMENT** – Pour éviter un choc électrique dangereux ou mortel, COUPEZ le courant à la pompe avant de la drainer. Négliger de couper le courant pourrait entraîner de graves blessures ou la mort.

1. Drainez l'eau de la piscine jusqu'à ce que la ligne d'eau soit sous toutes les entrées/sorties de la piscine.
2. Enlevez les bouchons de drain et le couvercle de la crépine (consultez « Schéma des pièces » dans la section 10.1 de ce guide pour connaître l'emplacement de ces composantes de la pompe).
3. Débranchez tous les câbles (après avoir COUPÉ le courant), enlevez la tuyauterie et délogez la pompe du socle de fixation.

4. Lorsque l'eau est complètement drainée de la pompe, réinstallez le couvercle de la crépine et les bouchons de drain. Entreposez la pompe dans un endroit sec.

## 7. Instructions pour changer le joint d'arbre

### CONSIGNES DE SÉCURITÉ IMPORTANTES VEUILLEZ LIRE ET SUIVRE TOUTES LES INSTRUCTIONS

Lorsque vous procédez à l'entretien de tout appareil électrique, les mesures de sécurité de base doivent toujours être respectées, y compris celles qui suivent. Négliger de suivre les instructions pourrait entraîner des blessures.

**AVERTISSEMENT** – Pour réduire le risque de blessure, ne permettez pas à un enfant d'utiliser cet appareil.

- Débranchez toute alimentation électrique à la pompe avant de commencer à remplacer le joint d'arbre.
- Seul un spécialiste qualifié devrait tenter de remplacer un joint d'étanchéité rotatif. Pour toute question, communiquez avec votre détaillant ou centre de service autorisé Hayward.
- Consultez la Figure 0-1 pour connaître l'emplacement des composants de la pompe.
- Soyez très prudent lorsque vous manipulez les parties fixe et mobile du joint d'étanchéité lors du remplacement en deux étapes. Tout corps étranger ou toute manipulation inappropriée peut facilement égratigner les surfaces de graphite et de céramique qui assurent l'étanchéité.

### 7.1 Enlever le moteur

1. Enlevez les six (6) boulons à tête hexagonale de 5/16 po x 2 po (pièce n° 20) qui retiennent le moteur au boîtier de la pompe (pièce n° 9) à l'aide d'une clé ou d'une douille de 1/2 po.
2. Faites glisser le moteur pour le sortir du boîtier de la pompe (pièce n° 9) et ainsi exposer le diffuseur (pièce n° 12). Dévissez les quatre (4) vis du diffuseur (pièce n° 11) et tirez le diffuseur pour le déloger de la plaque de joint (pièce n° 18) et ainsi exposer l'impulseur (pièce n° 15).

### 7.2 Enlever l'impulseur

3. Pour empêcher l'arbre du moteur de tourner, sécurisez-le en insérant une clé hexagonale de 5/16 po dans le bout de l'arbre du moteur dans le trou central du couvercle du moteur.
4. Tournez l'impulseur (pièce n° 15) en sens antihoraire et enlevez-le. La portion du joint avec le ressort (pièce n° 16) est maintenant exposée. Prenez minutieusement note de la position du joint à ressort et enlevez-le.  
REMARQUE : Remplacez le couvercle du moteur pour protéger les pièces délicates du moteur.

### 7.3 Enlever le siège en céramique

5. Enlevez la plaque de joint (pièce n° 18) du moteur en dévissant les quatre (4) boulons de 3/8 po x 1 po (pièce n° 21) qui la fixent au moteur à l'aide d'une clé ou d'une douille de 1/2 po.
6. Poussez le siège de céramique et la cupule en caoutchouc hors de la plaque de joint. Si c'est difficile, utilisez un petit tournevis pour les déloger. Consultez la figure ci-dessous.

**ARRÊTEZ** – Nettoyez tous les renforcements et toutes les pièces et réassemblez-les. Inspectez les joints d'étanchéité et remplacez-les au besoin.

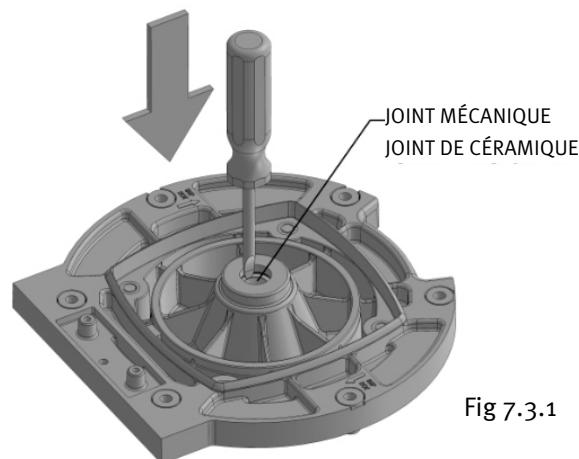


Fig 7.3.1



## 7.4 Installer le joint

7. Nettoyez à l'aide d'une solution diluée d'un savon liquide non granulé et lubrifiez légèrement l'arbre du moteur et les renforcements du joint d'étanchéité dans la plaque de joint (pièce n° 18). Essuyez doucement la face polie du joint en céramique à l'aide d'un chiffon de coton doux. Lubrifiez la cupule en caoutchouc du siège de céramique et insérez-la fermement et uniformément dans le renforcement de la plaque de joint (pièce n° 18), la surface en céramique polie vers l'extérieur.
8. Réassemblez le moteur à la plaque de joint (pièce n° 18) à l'aide de quatre (4) boulons de 3/8 po x 1 po (pièce n° 21). Serrez les boulons avec un couple de 95 à 105 livres/pouce.
9. Essuyez doucement la surface polie noire du joint à ressort à l'aide d'un chiffon de coton doux.
10. Insérez le joint à ressort (pièce n° 16) sur le joint d'arbre, la surface polie noire vers la surface polie du siège de céramique. Consultez la figure ci-dessous.

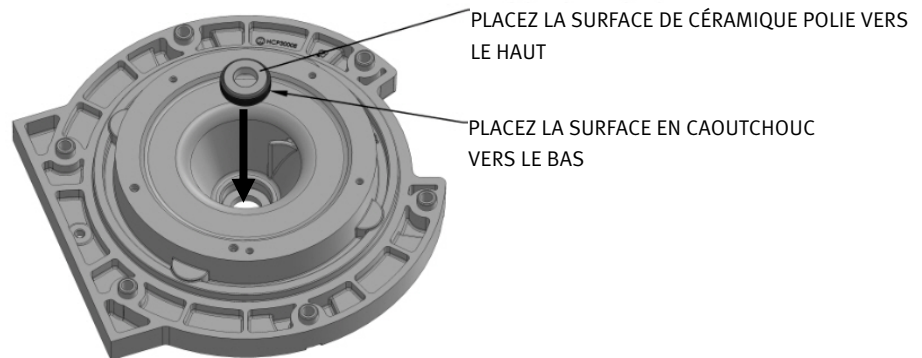


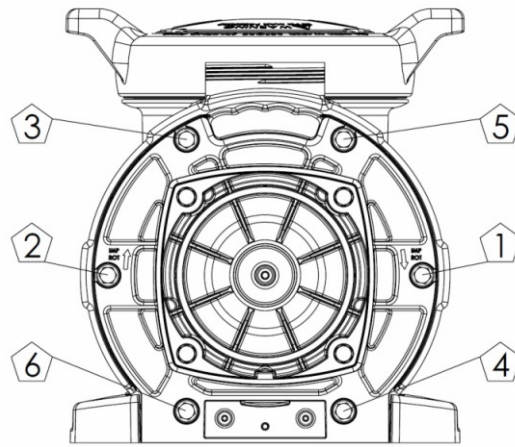
Fig 7.4.1

## 7.5 Replacer l'impulseur et le diffuseur

11. Vissez, en sens horaire, l'impulseur (pièce n° 15) à l'arbre du moteur. Serrez fermement en retenant l'arbre du moteur comme indiqué à l'étape 4.
12. Placez le diffuseur (pièce n° 12) par-dessus l'impulseur (pièce n° 15) pour qu'il rejoigne la plaque de joint (pièce n° 18), en alignant les deux (2) tiges sur le diffuseur aux deux trous correspondants dans la plaque de joint (pièce n° 18). Revissez les quatre (4) vis du diffuseur (pièce n° 11). Serrez les vis avec un couple de 16 à 27 livres/pouce.

## 7.6 Replacer le moteur

13. Remplacez le couvercle du moteur en utilisant deux (2) vis à tête hexagonale. Glissez le moteur dans le boîtier de la pompe (pièce n° 9) alors que le diffuseur (pièce n° 12) est en place, en prenant soin de ne pas déplacer le joint d'étanchéité du diffuseur (pièce n° 10).
14. Fixez le tout au boîtier de la pompe (pièce n° 9) à l'aide de six (6) boulons de 5/16 po x 2 po. (Assurez-vous que le joint d'étanchéité du boîtier (pièce n° 17) est bien en place et lubrifié. Remplacez-le s'il est endommagé.) Vissez les boulons en alternance et de façon uniforme jusqu'à 185 à 195 livres/pouce, selon l'ordre de serrage indiqué dans le diagramme ci-dessous.



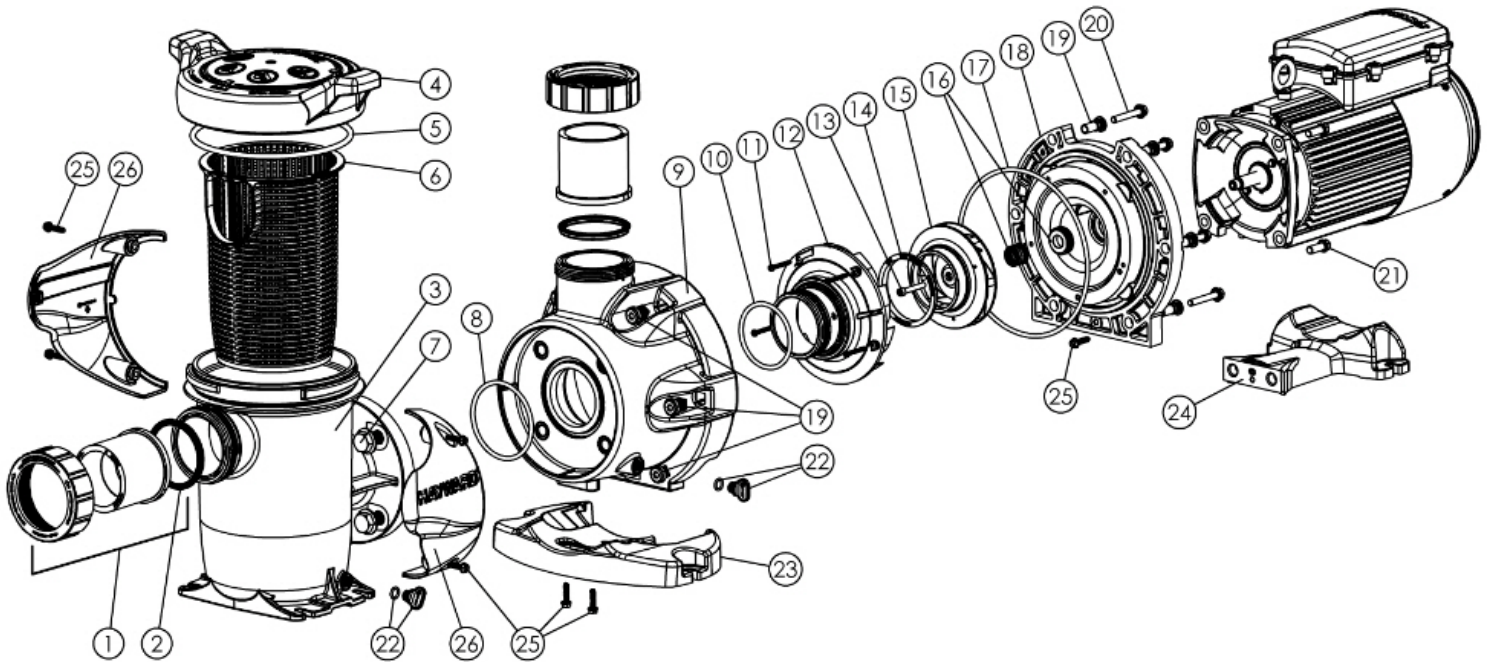
HOUSING BOLT TORQUE PATTERN

Fig 7.6.1

## 8. Pièces de remplacement

### 8.1 Schéma des pièces

Figure 8.1.1



## 8.2 Liste des pièces

No de réf	No de la pièce	Description	Qté
1	HCXP3000UNKIT	Ensemble de raccord union (comprend écrou union, raccord union et joint d'étanchéité – 2 chacun)	1
2	HCXP3000UG	Joint d'étanchéité du raccord	1
3	HCXP3000H	Boîtier de la crépine avec bouchons pour drain	1
4	HCXP3000DLS	Ensemble de couvercle de la crépine (comprend couvercle de la crépine, anneau de retenue et joint torique)	1
5	SPX4000S	Joint torique – couvercle de la crépine	1
6	HCXP3000M	Panier de la crépine	1
7	HCXP3000Z3	Boulon/écrou – bride du boîtier de la crépine	4
8	HCXP343V70	Joint torique – bride du boîtier de la crépine	1
9	HCXP3000A	Boîtier de la pompe et bouchon de drain	1
10	HCXP338V60	Joint torique – diffuseur	1
11	SPX2700z3SSPAK4	Diffuseur – vis (paquet de 4)	1
12	HCXP3000B	Diffuseur, 2 - 5 HP	1
12	HCXP3000B2	Diffuseur, 7 HP	1
13	SPX3200Z1	Impulseur – vis	1
14	HCXP3000R	Impulseur – bague, 2 - 5 HP	1
14	HCXP3001R	Impulseur – bague, 7 HP	1
15	HCXP3020C	Impulseur de 2 HP avec vis pour impulseur	1
15	HCXP3030C	Impulseur de 3 HP avec vis pour impulseur	1
15	HCXP3050C	Impulseur de 5 HP avec vis pour impulseur	1
15	HCXP3070C	Impulseur de 7 HP avec vis pour impulseur	1
16	SPX4000SAV	Joint d'arbre	1
17	HCXP369V70	Joint torique – boîtier de la pompe	1
18	HCXP3000E	Plaque de joint	1
19	SPX3200Z211	Douille/Entretoise de la plaque de joint du boîtier	6
20	SPX3200Z3	Boulon pour boîtier	6
21	SPX3200Z34PAK4	Boulons pour le moteur (paquet de 4)	1
22	SPX4000FG	Joint torique – bouchon de drain	1
23	HCXP3000F	Base du boîtier de la pompe	1
24	HCXP3000G	Base pour soutenir le moteur	1
25	SPX1600Z5SSPAK7	Vis pour la base (paquet de 7)	1
26	HCXP3000N250	Plaque latérale droite et gauche, couleur platine	1
26	HCXP3000N251	Plaque latérale droite et gauche, couleur bleu	1
	<b>MOTEURS</b>		
	HCXP3020Z1M	Moteur, 2 HP, monophasé 208-230 V	1
	HCXP3020Z1D	Moteur, 2 HP, triphasé 208-230/460 V	1
	HCXP3030Z1M	Moteur, 3 HP, monophasé 208-230 V	1
	HCXP3030Z1D	Moteur, 3 HP, triphasé 208-230/460 V	1
	HCXP3050Z1M	Moteur, 5 HP, monophasé 208-230 V	1
	HCXP3050Z1D	Moteur, 5 HP, triphasé 208-230/460 V	1



No de réf	No de la pièce	Description	Qté
	HCXP3075Z1D	Moteur, 7 HP, triphasé 208-230/460 V	1
	HCXP3020Z1DC	Moteur, 2 HP, triphasé 575 V	1
	HCXP3030Z1DC	Moteur, 3 HP, triphasé 575 V	1
	HCXP3050Z1DC	Moteur, 5 HP, triphasé 575 V	1
	HCXP3075Z1DC	Moteur, 7 HP, triphasé 575 V	1

## 9. Dépannage

### 9.1 Problèmes généraux

- **Le moteur ne démarre PAS :**

1. Assurez-vous que les connexions à la plaque à bornes correspondent au schéma de câblage sur la plaque signalétique de la pompe.
2. Assurez-vous que le câblage de la pompe est adéquat pour la tension d'alimentation disponible (230 VCA).
3. Vérifiez que tous les fils sont bien connectés; si tel n'est pas le cas, apportez les correctifs nécessaires. Vérifiez également qu'il n'y a pas d'interrupteur ou de relais ouvert, de disjoncteur déclenché ou de fusible sauté.
4. Vérifiez manuellement que la rotation de l'arbre du moteur se fait sans entraves ni obstructions. Apportez les correctifs nécessaires au besoin.

- **Le moteur cesse de fonctionner :**

1. Vérifiez si la tension est basse ou s'il y a une baisse de tension au moteur (souvent causée par un câblage inadéquat). Communiquez avec un professionnel pour vérifier les connexions électriques.

- **Le moteur ronronne, mais ne démarre PAS :**

1. Vérifiez la tension de l'alimentation électrique. Communiquez avec un professionnel qualifié si la tension est plus de 10 % en deçà de la tension nominale indiquée sur la plaque signalétique du moteur.
2. L'impulseur est coincé en raison de débris. Demandez à un spécialiste qualifié en réparation d'ouvrir la pompe et de retirer les débris.

- **La pompe ne s'amorce pas :**

1. Videz le boîtier de la pompe/crépine. Assurez-vous que le boîtier de la pompe/crépine est rempli d'eau et que le joint torique du couvercle est propre. Assurez-vous que le joint torique est bien positionné dans la rainure, que la surface du joint torique qui assure l'étanchéité est lubrifiée avec du « Jack's 327 » et que le panier de la crépine est bien barré en place. Le lubrifiant aide à créer un joint plus étanche.
2. Desserrez les raccords du côté de l'aspiration. Serrez les raccordements aux raccords et tuyaux.  
**Remarque : Toute pompe autoamorçante ne s'amorce pas s'il y a des fuites du côté de l'aspiration. Une fuite se voit par la présence de bulles d'air s'échappant dans les jets de retour de la piscine.**
3. Il y a une fuite au niveau d'un joint torique ou du fouloir d'une des vannes. Serrez, réparez ou remplacez les vannes.
4. Le panier de la crépine ou celui de l'écumoire est plein de débris. Enlevez le couvercle de la crépine ou le couvercle de l'écumoire. Nettoyez le panier et remplissez le boîtier de la crépine d'eau. Serrez le couvercle.
5. Obstruction du côté de l'aspiration. Communiquez avec un spécialiste en réparation. Vous devriez avoir un vide de 5" à 6" au couvercle de la crépine (votre détaillant de piscine peut vous confirmer ceci à l'aide d'un manomètre). Vous pouvez vérifier la force du vide en enlevant le panier de l'écumoire et en tenant un objet au-dessus du port au fond de l'écumoire, alors que l'écumoire est pleine d'eau et que la pompe fonctionne. Si vous ne ressentez aucune aspiration, vérifiez s'il y a une obstruction dans le tuyau.



- a. Si la pompe crée un vide, vérifiez s'il y a une obstruction dans la ligne d'aspiration ou si le panier de la crépine est plein de débris. Il se pourrait qu'une fuite d'air dans la tuyauterie d'aspiration soit la source du problème.
  - b. Si la pompe ne crée pas un vide, tout en ayant un volume d'eau d'amorçage suffisant :
    - I. Vérifiez à nouveau le couvercle de la pompe/crépine ainsi que tous les raccords filetés à la recherche d'une fuite d'air. Vérifiez que tous les colliers de serrage sont bien serrés.
    - II. Vérifiez la tension pour vous assurer que le moteur tourne à plein régime.
    - III. Ouvrez le couvercle du boîtier et vérifiez s'il y a une obstruction ou un blocage dans le tuyau d'aspiration. Vérifiez s'il y a des débris dans l'impulseur.
    - IV. Enlevez et remplacez le joint d'arbre seulement s'il fuit.
- **Faible débit – en général :**
    1. Tuyau d'aspiration ou panier de la crépine obstrué ou bloqué. Communiquez avec un spécialiste en réparation.
    2. Tuyauterie de dimension insuffisante. Apportez les correctifs nécessaires.
    3. Tuyau de décharge du filtre obstrué ou bloqué, vanne partiellement fermée (lecture de manomètre élevée). Pour les filtres à sable – procédez à un lavage à contre-courant selon les instructions du fabricant; filtres à diatomées – procédez à un lavage à contre-courant selon les instructions; filtres à cartouche – nettoyez ou remplacez la cartouche filtrante.
    4. Fuite d'air du côté de l'aspiration (bulles qui s'échappent des raccords de retour). Serrez à nouveau les connexions d'aspiration et de décharge en utilisant du ruban de Téflon. Inspectez les autres connexions dans la tuyauterie et serrez au besoin.
    5. Impulseur bloqué, obstrué ou endommagé. Remplacez l'impulseur, incluant un nouvel ensemble de joint d'étanchéité.
  - **Pompe bruyante :**
    1. Fuite d'air dans la tuyauterie d'aspiration, cavitations causées par une conduite obstruée ou de dimension insuffisante ou fuite à un joint d'étanchéité, niveau d'eau dans la piscine trop bas ou tuyau de décharge de dimension insuffisante. Apportez les correctifs nécessaires au tuyau d'aspiration ou, si possible, étranglez les tuyaux de retour. En tenant votre main par-dessus le raccord de retour, vous pouvez parfois prouver qu'il s'agit bien de ceci ou utilisez un plus petit œil dans le raccord de retour d'eau.
    2. Vibrations en raison d'une installation inadéquate, etc. Installez la pompe sur une surface nivelée et fixez-la sur la base de raccordement.
    3. Matières étrangères dans le boîtier de la pompe. Des pierres ou des débris qui entrent en collision avec l'impulseur peuvent en être la cause. Nettoyez le boîtier de la pompe.
    4. Les roulements du moteur peuvent faire du bruit lorsqu'ils sont usés, rouillés ou surchauffés. Les concentrations des produits chimiques peuvent endommager le joint d'étanchéité. L'eau chlorée peut alors s'infiltrer dans les roulements ce qui élimine le lubrifiant et fait en sorte que les roulements grincent. Remplacez immédiatement le moteur et tous les joints d'étanchéité qui fuient.
    5. Placez la pompe plus près du niveau de l'eau.

**This page intentionally left blank.**



## 10. Garantie

### **GARANTIE LIMITÉE DE HAYWARD® POOL PRODUCTS**

À l'acheteur original de ce produit, Hayward Pool Products Canada garantit ses pompes contre tout défaut de matériau ou de fabrication pour une période d'UN (1) an à partir de la date d'achat, lorsqu'ils sont utilisés dans des applications résidentielles unifamiliales.

La garantie limitée exclut les dommages causés par le gel, la négligence, une installation inadéquate, une utilisation ou un entretien inadéquat ou toute calamité naturelle. Durant la période de garantie, les pièces défectueuses seront réparées ou remplacées, à notre discrétion, sans frais dans les 90 jours suivant la réception du produit défectueux, à moins de circonstances imprévues.

La preuve d'achat est nécessaire pour obtenir un service en vertu de la garantie. Si la preuve d'achat n'est pas disponible, la date de fabrication du produit sera utilisée comme seule preuve d'achat.

Pour obtenir un service en vertu de la garantie, veuillez communiquer avec le lieu d'achat ou avec le centre de service Hayward autorisé le plus près. Pour de l'aide concernant le centre de service Hayward le plus près, veuillez visiter le [www.haywardpool.ca](http://www.haywardpool.ca).

Hayward n'est pas responsable des coûts de transport, des coûts de main-d'œuvre liés au démontage, à la réparation ou à la réinstallation de même que de tout coût encouru pour obtenir des pièces de remplacement ou une réparation en vertu de la garantie.

La garantie offerte par Hayward Pool Products Canada ne s'applique pas aux composants fabriqués par d'autres. Pour ces produits, les garanties offertes par leurs fabricants respectifs s'appliquent.

La garantie expressément citée ci-dessus constitue la garantie complète offerte par Hayward Pool Products à l'égard de ses produits de piscine et remplace toute autre garantie explicite ou implicite, y compris les garanties de valeur commerciale ou d'adaptation à un usage particulier. En aucun cas, Hayward Pool Products ne sera responsable de dommages indirects, particuliers ou accessoires, quelle qu'en soit la nature.

Certaines provinces ou certains territoires ne permettent pas de limiter la durée d'une garantie implicite ou d'exclure ou de limiter les dommages indirects ou accessoires de sorte que la limite citée plus haut pourrait ne pas s'appliquer dans votre cas. Cette garantie vous confère des droits légaux particuliers et vous pourriez également jouir d'autres droits qui varient d'une province ou d'un territoire à l'autre.

**\*Remplace toute publication ultérieure.**

**Hayward Pool Products  
2880 Plymouth Drive  
Oakville, ON L6H 5R4**

