



JPA PT/JPC PT/ JPD PT/JPA/JPC



net.grundfos.com/qr/i/99022277

be
think
innovate

GRUNDFOS 



Max. 8 bar
Max. 116 PSI



Min./Max. 0 °C / +35 °C
Min./Max. 32 °F / 95 °F



- Voltage
- Hz
- Connection:
GAS / NPT



Min./Max. 0 °C / +40 °C
Min./Max. 32 °F / 104 °F



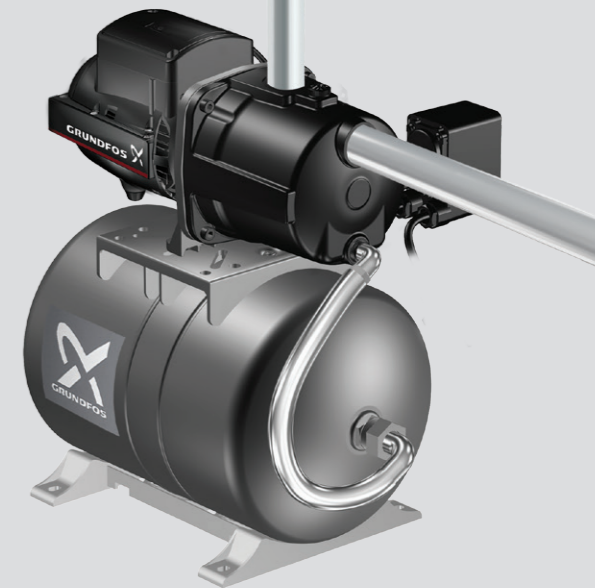
JPA



JPA PT-V



JPA PT-H





JPC



Min./Max. 0 °C / +35 °C (60 °F)
Min./Max. 32 °F / 95 °F (140 °F)



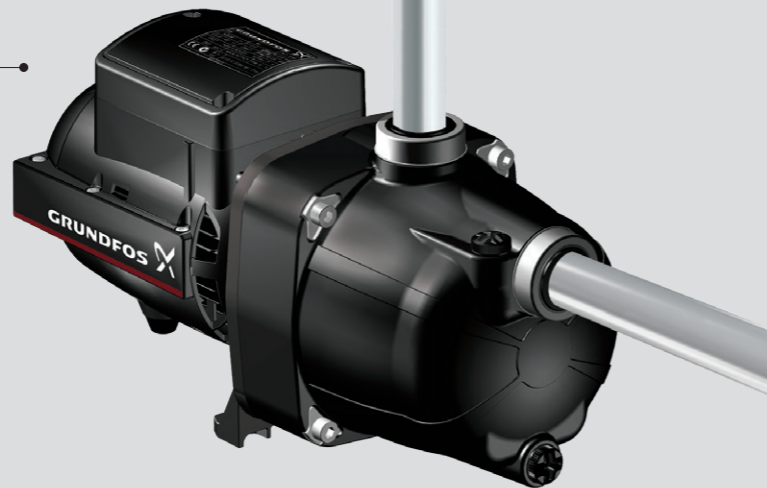
Max. 6 bar
Max. 87 PSI



- Voltage
- Hz
- Connection:
GAS / NPT

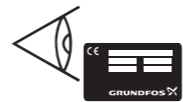


Max. +40 °C (+55 °C)
Max. 104 °F (131 °F)

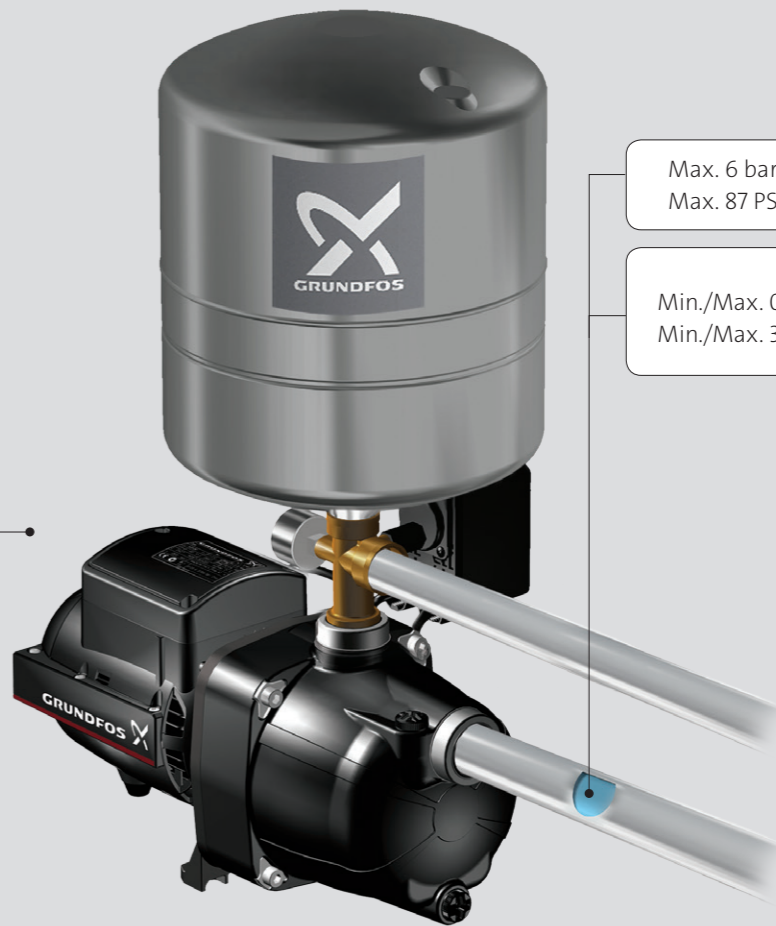


JPC PT-V

- Voltage
- Hz
- Connection:
GAS / NPT



Min./Max. 0 °C / +40 °C
Min./Max. 32 °F / 104 °F



Max. 6 bar
Max. 87 PSI



Min./Max. 0 °C / +35 °C
Min./Max. 32 °F / 95 °F





- Voltage
- Hz
- Connection:
GAS / NPT



Min./Max. 0 °C / +40 °C
Min./Max. 32 °F / 104 °F



JPD PT-V

JPD 4-47, 4-54
Max. 6 bar/87 PSI



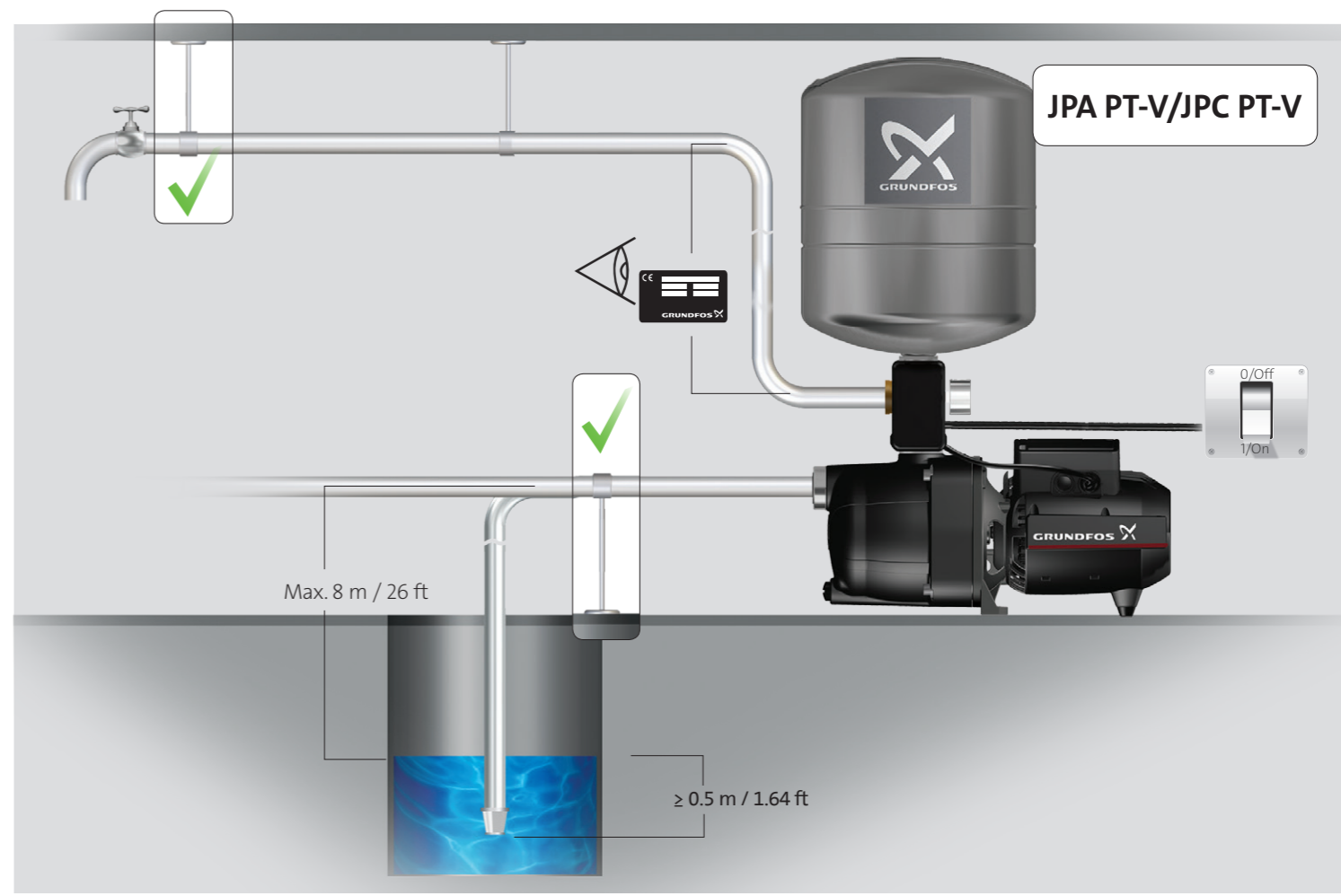
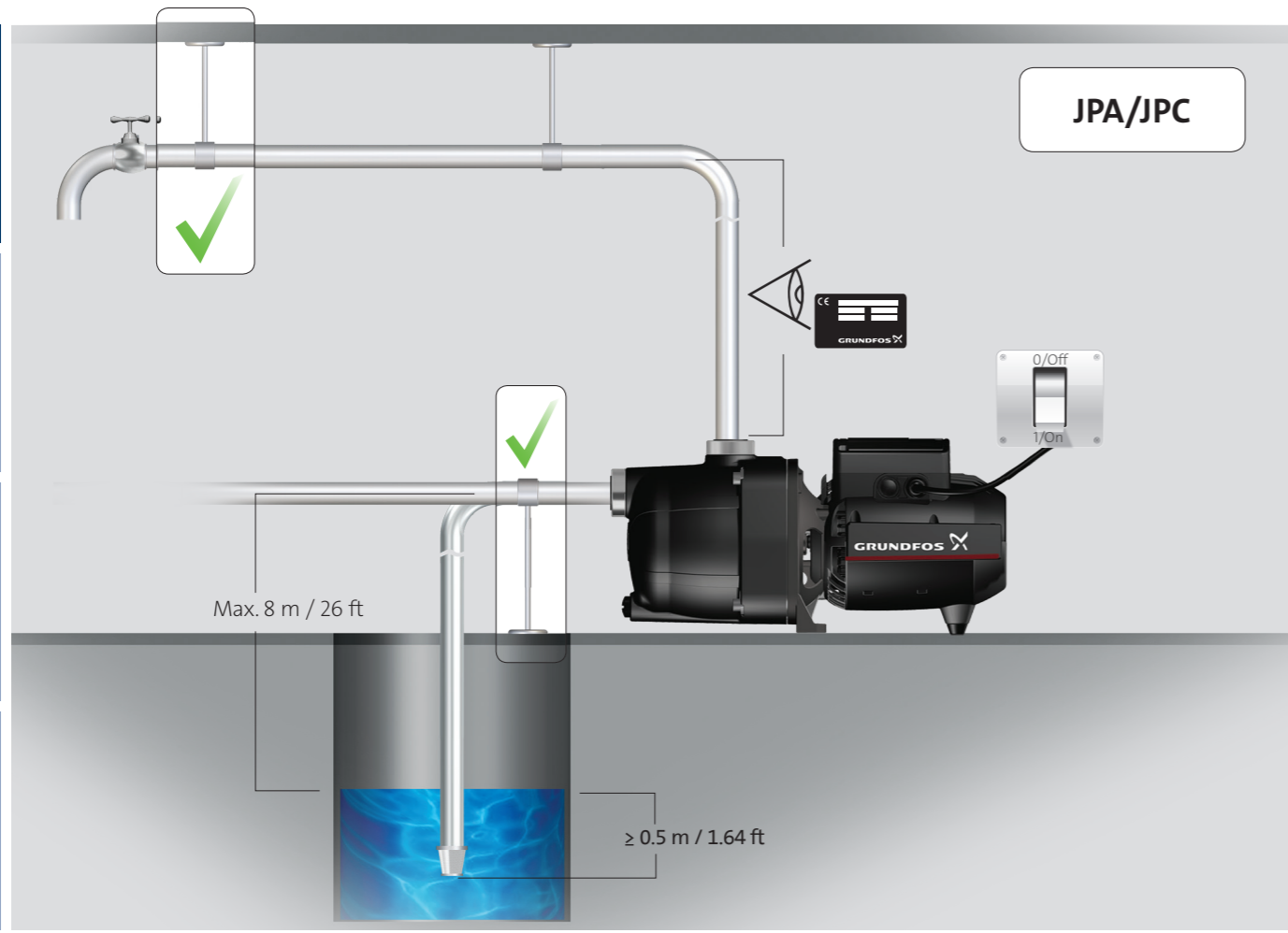
JPD 5-61, 8-62
Max. 8 bar/116 PSI

Min./Max. 0 °C / +35 °C
Min./Max. 32 °F / 95 °F



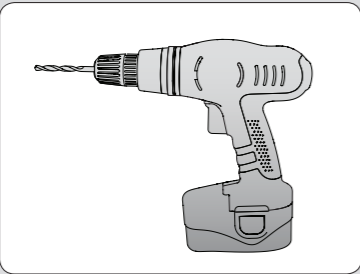
EJECTOR



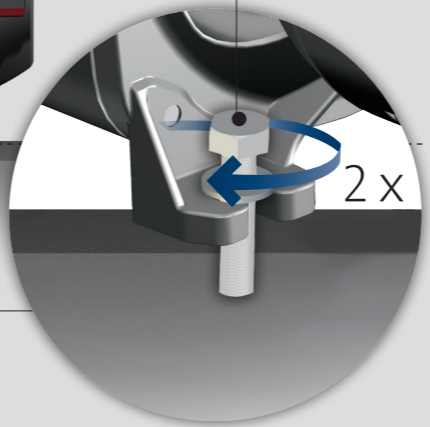
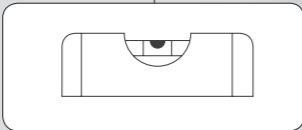
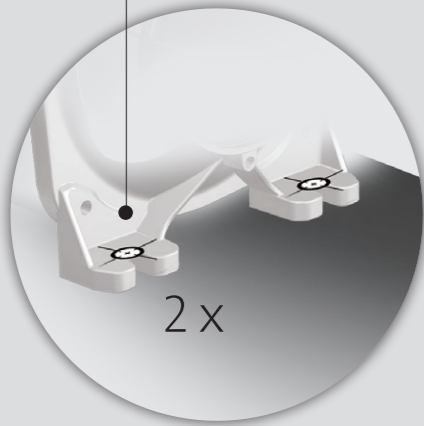
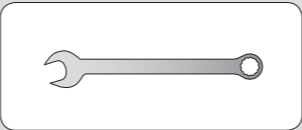




1A

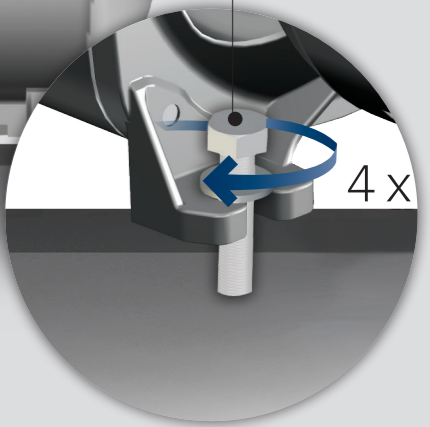
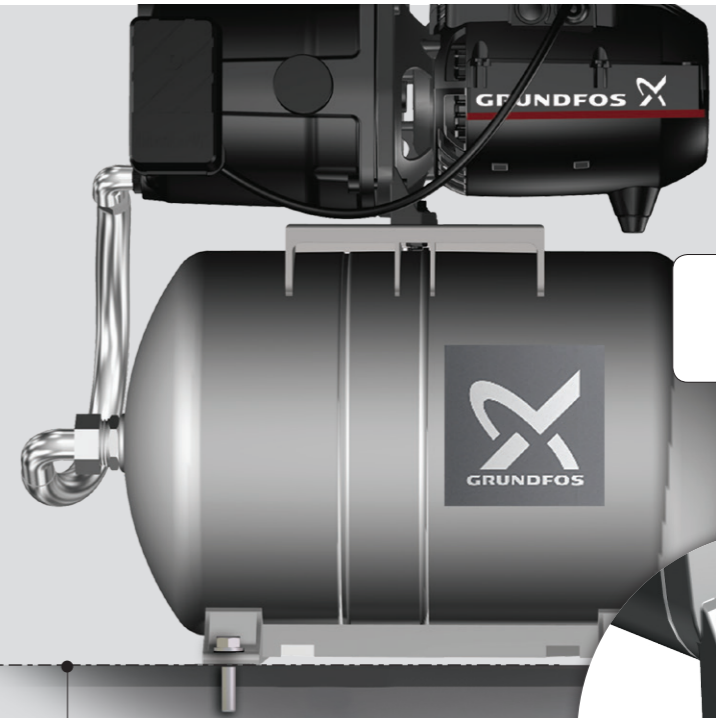
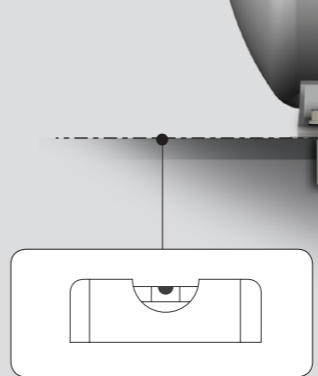
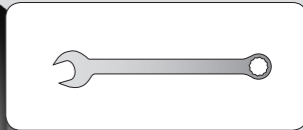


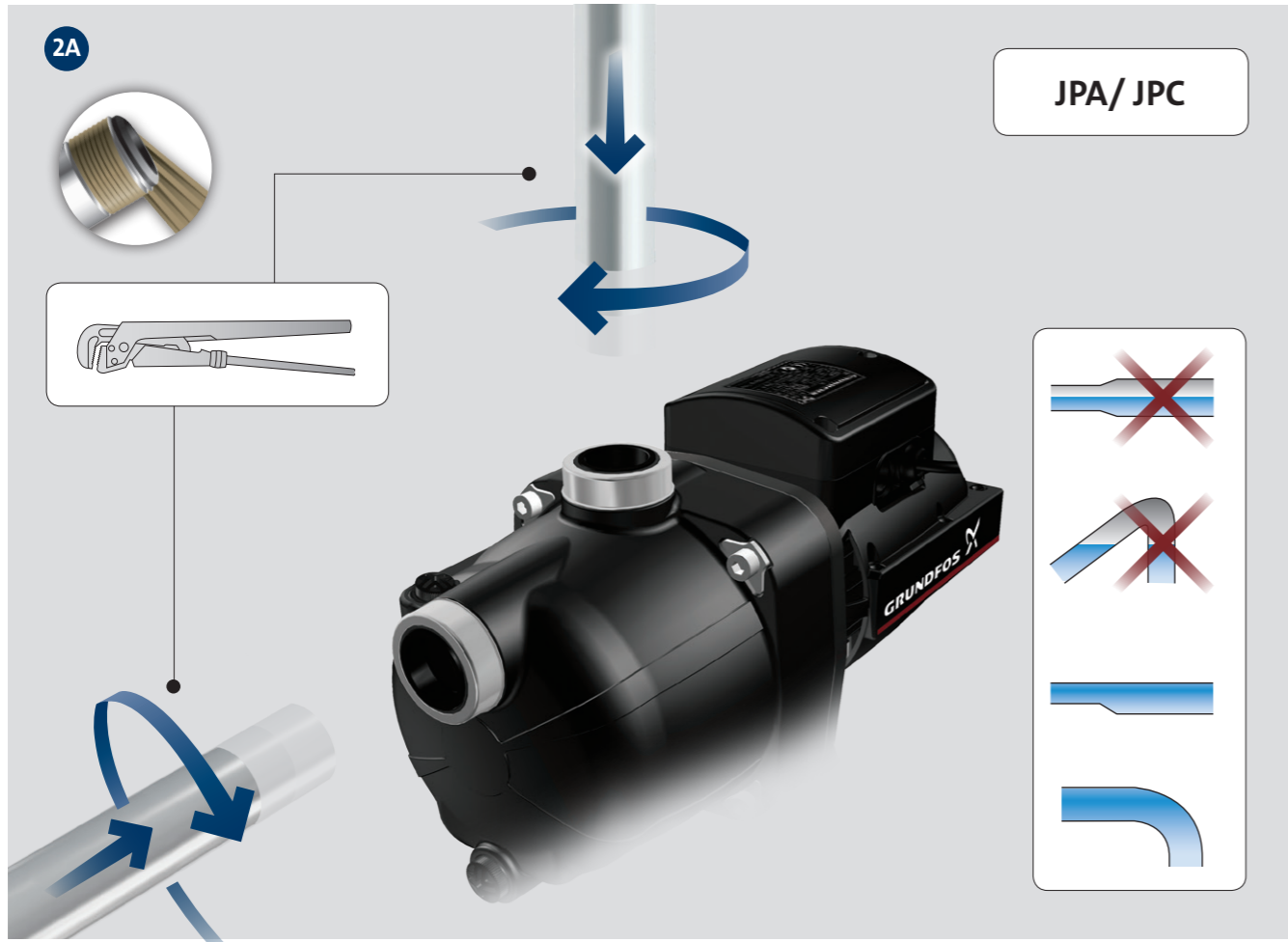
JPA / JPA PT-V / JPC / JPC PT-V / JPD PT-V

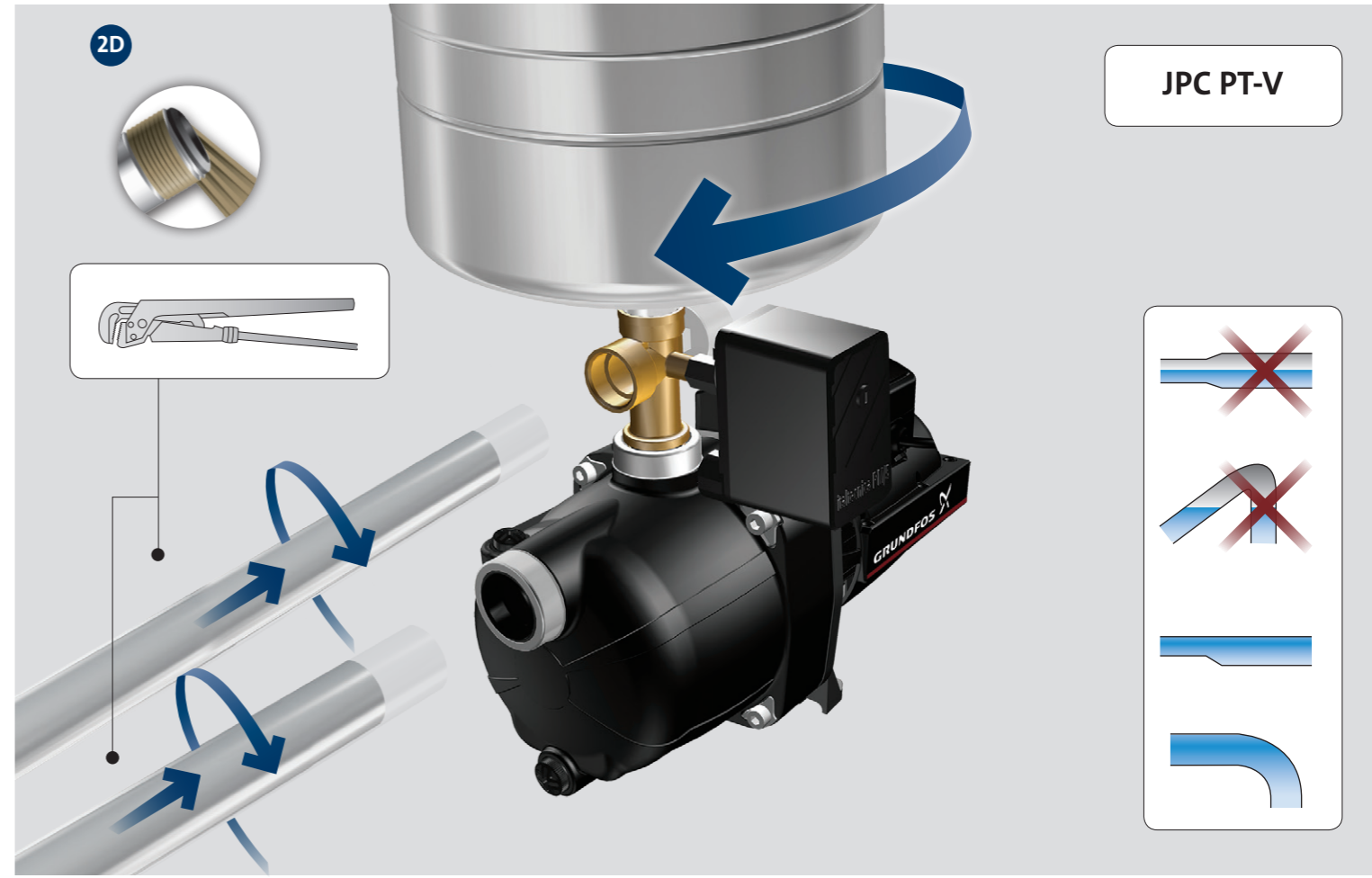
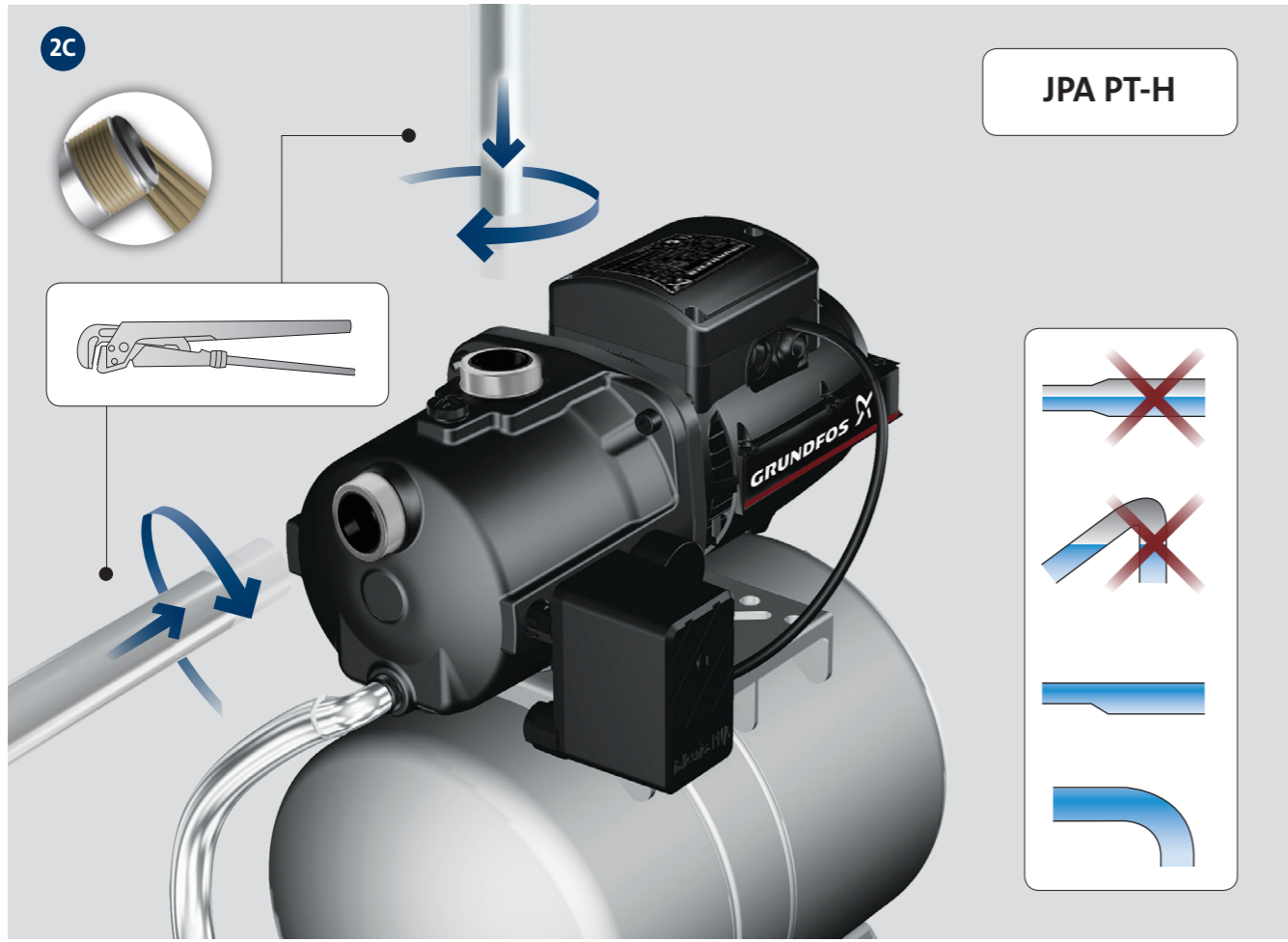


1B

JPA PT-H

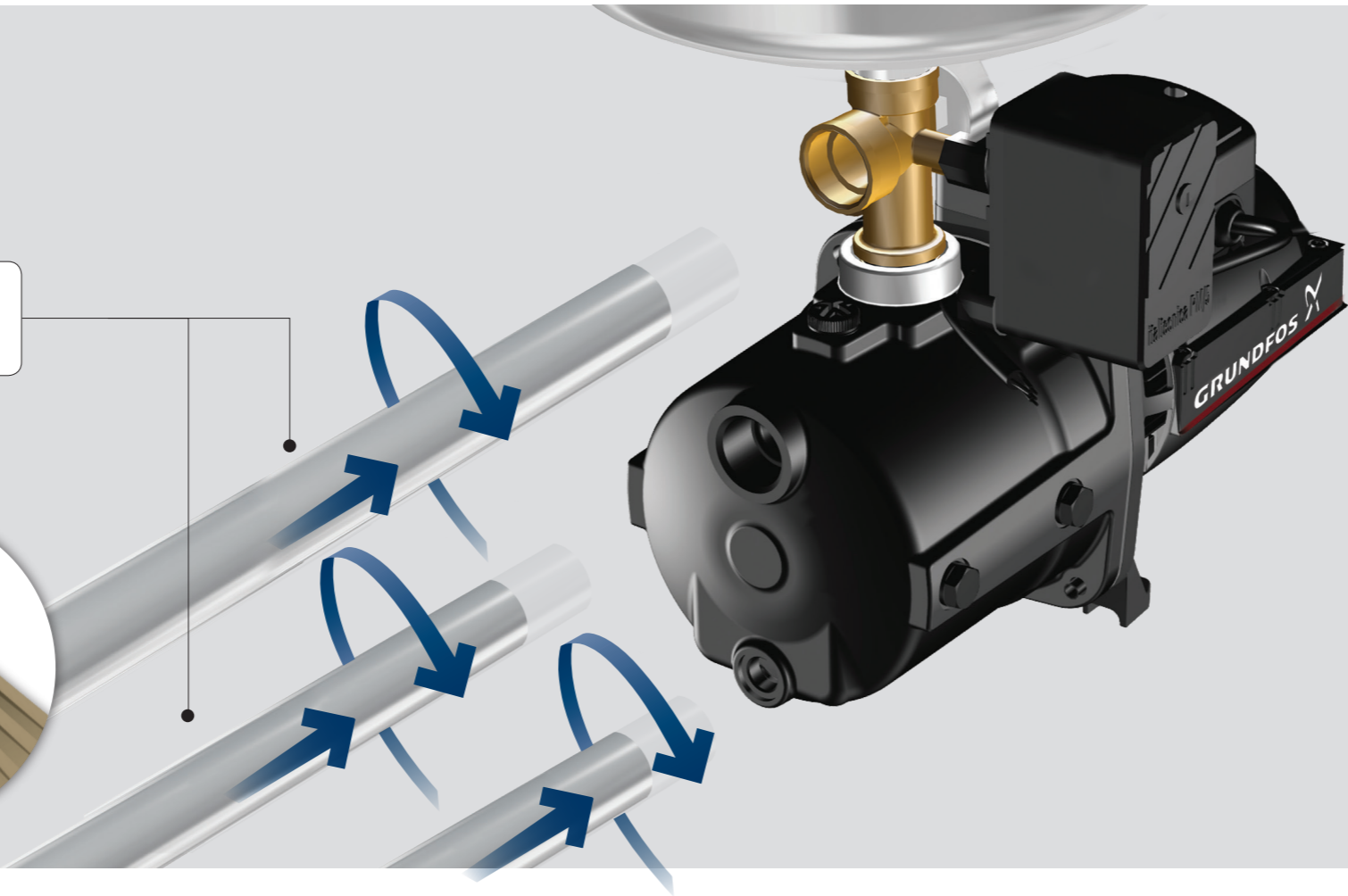
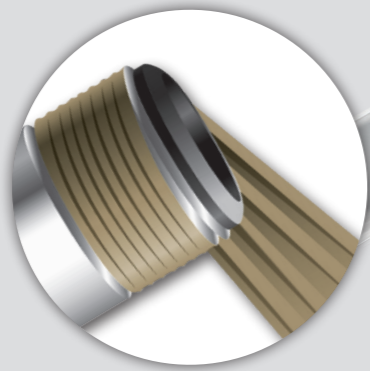
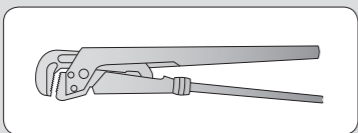




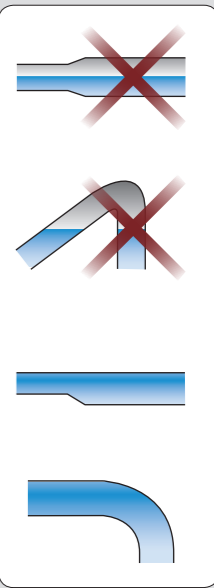


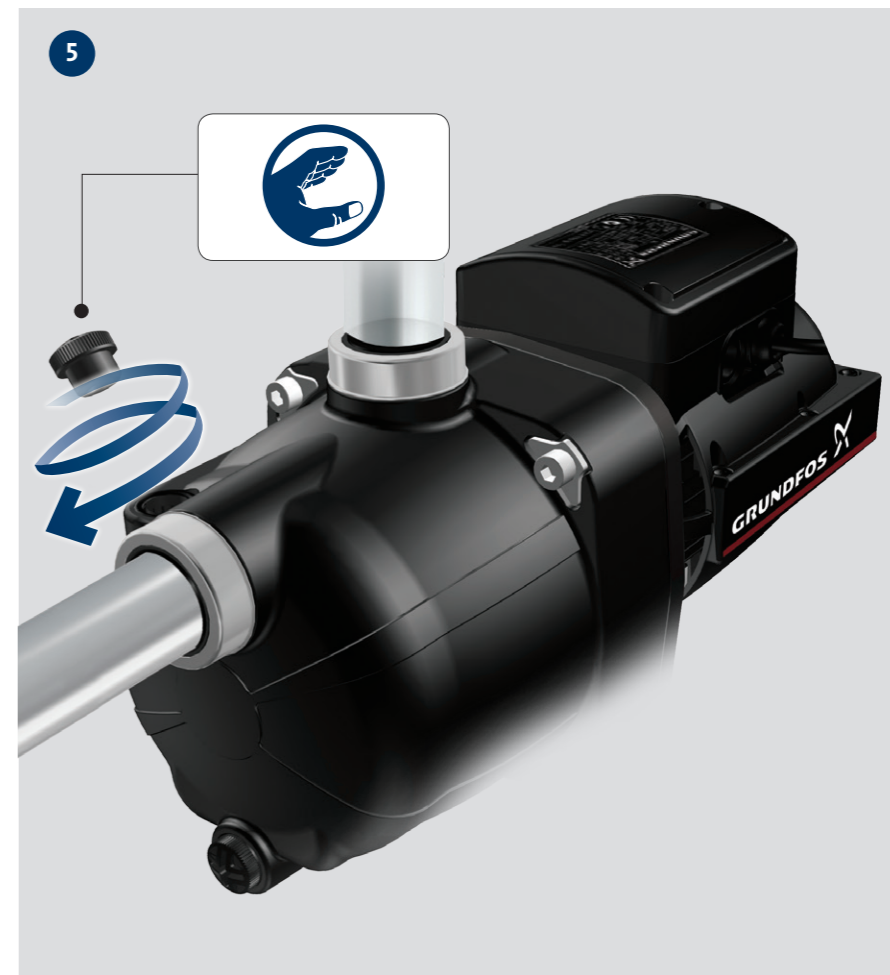
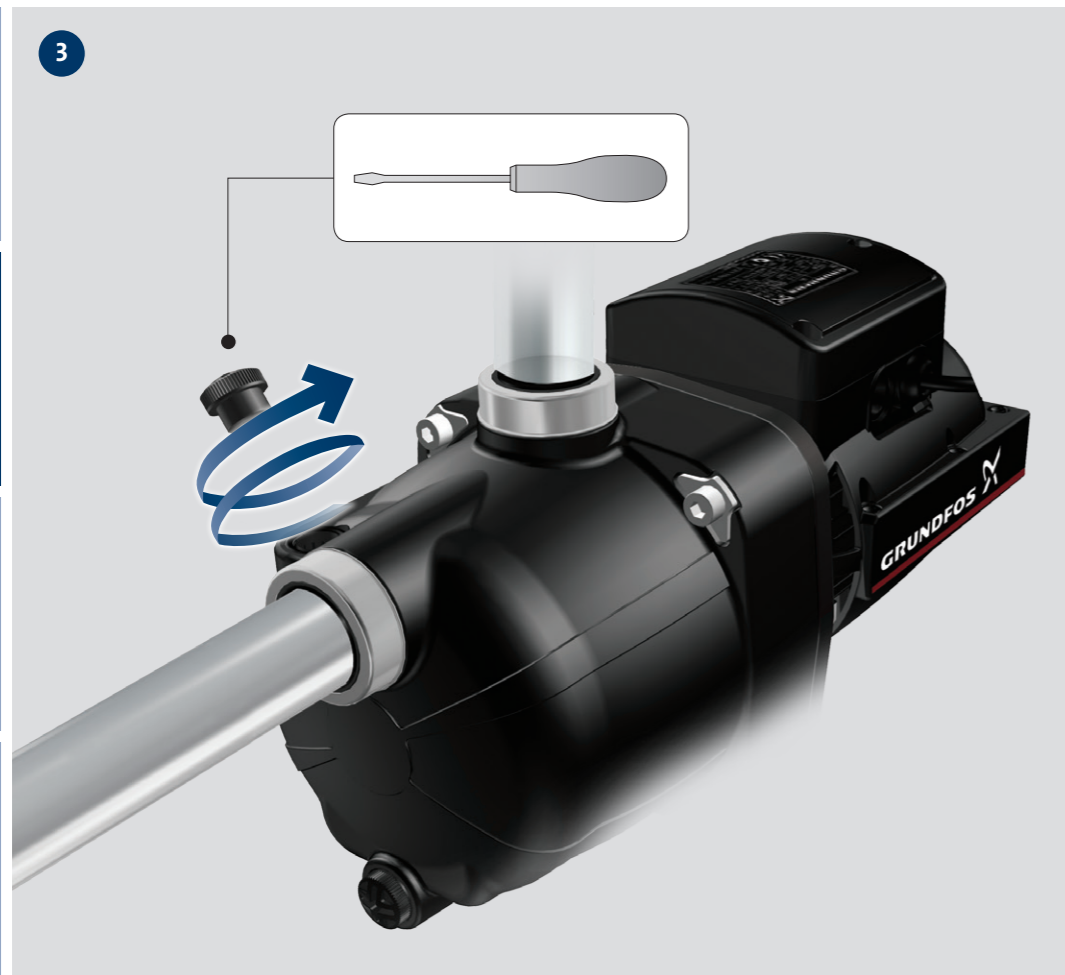
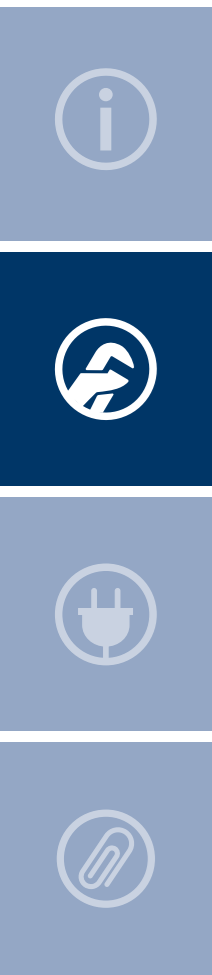


2E



JPD PT-V

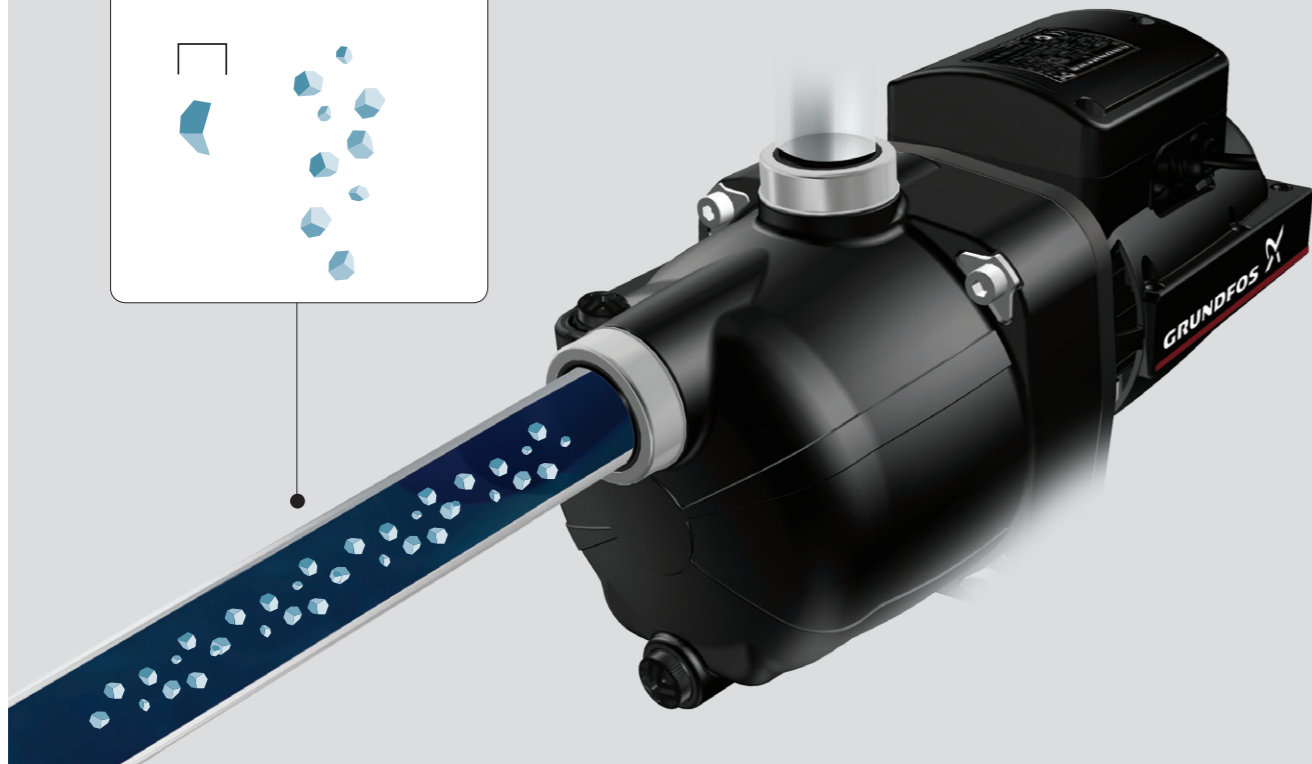
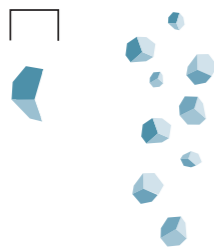






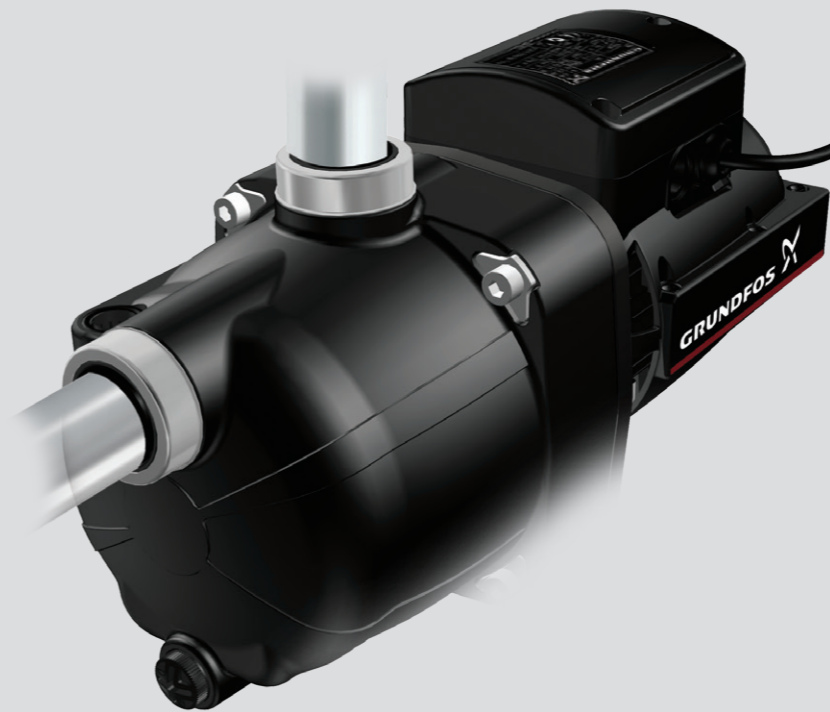
i

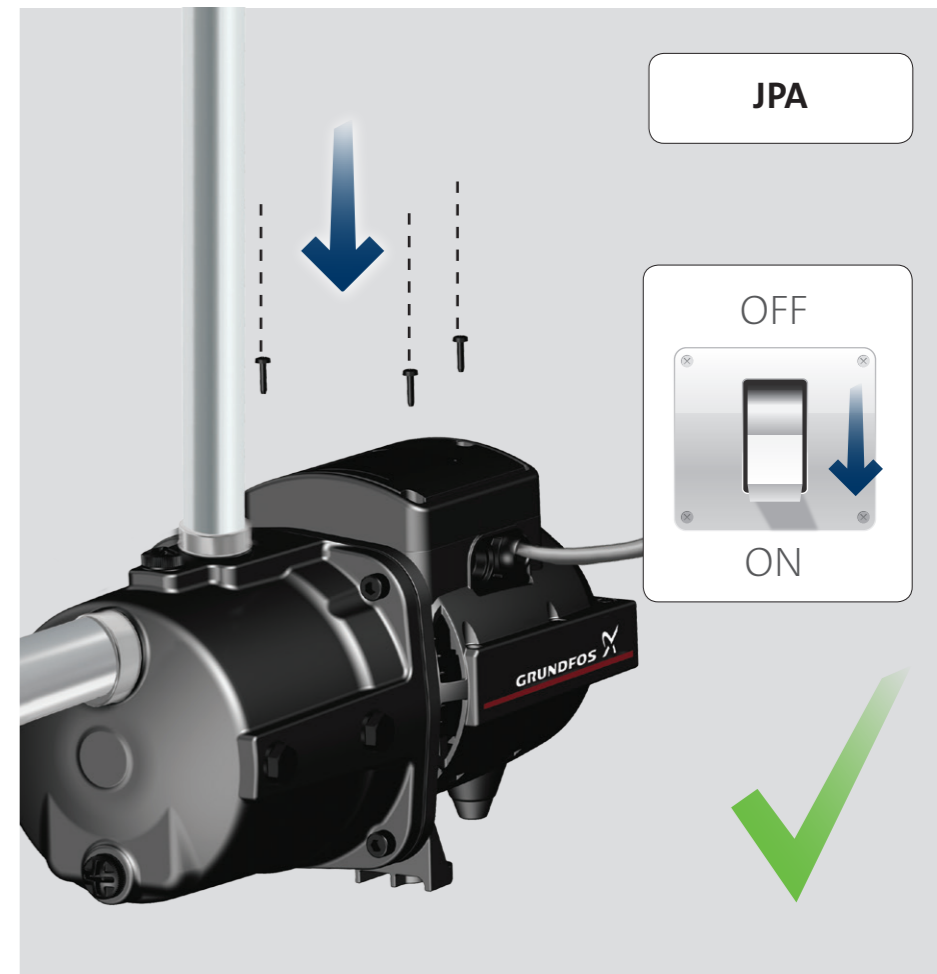
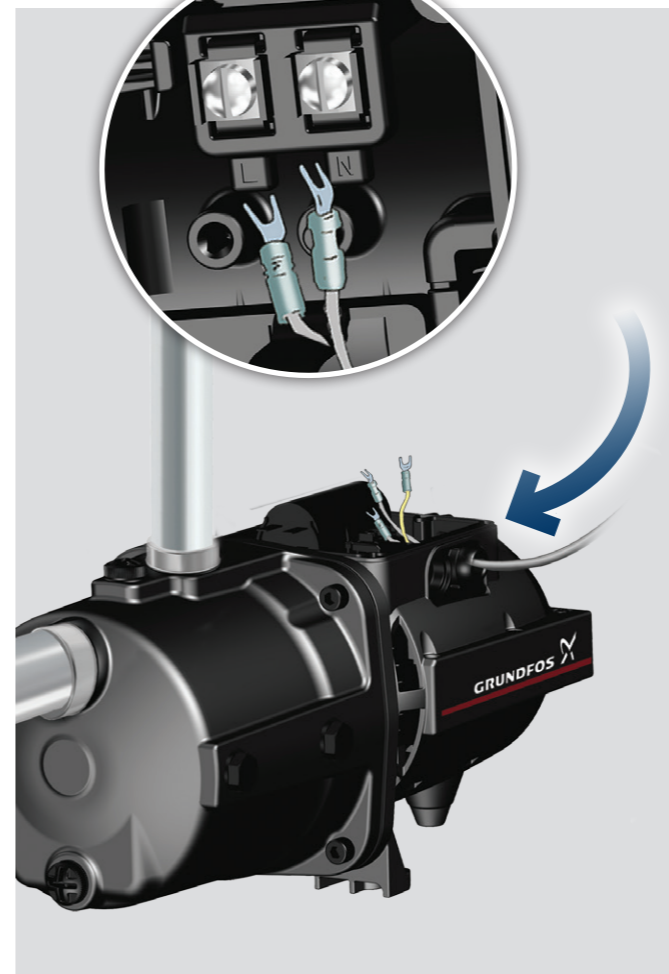
Max. $\varnothing < 1 \text{ mm}$
/ 0.04 inch

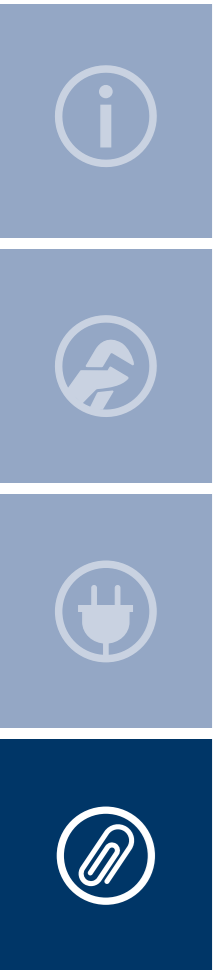


6A

JPA PT-V / JPA PT-H / JPC / JPC PT-V / JPD PT-V







i



be think innovate

98640729 0216

ECM: 1178728

GRUNDFOS Holding A/S
Poul Due Jensens Vej 7
DK-8850 Bjerringbro
Tel: +45 87 50 14 00
www.grundfos.com

GRUNDFOS 

The name Grundfos, the Grundfos logo, and be think innovate are registered trademarks owned by Grundfos Holding A/S or Grundfos A/S, Denmark. All rights reserved worldwide.