

GRUNDFOS INSTRUCTIONS



MAGNA3

Further product documentation



net.grundfos.com/qr/i/98091805

be
think
innovate

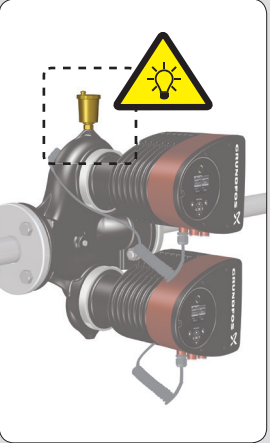
GRUNDFOS 



MAGNA3



MAGNA3 D





Max. 95 % RH
IPX4D



Min./Max.
-10 °C – +110 °C



PN 6:6 bar / 0.6 MPa
PN 10:10 bar / 1.0 MPa
PN 16:16 bar / 1.6 MPa

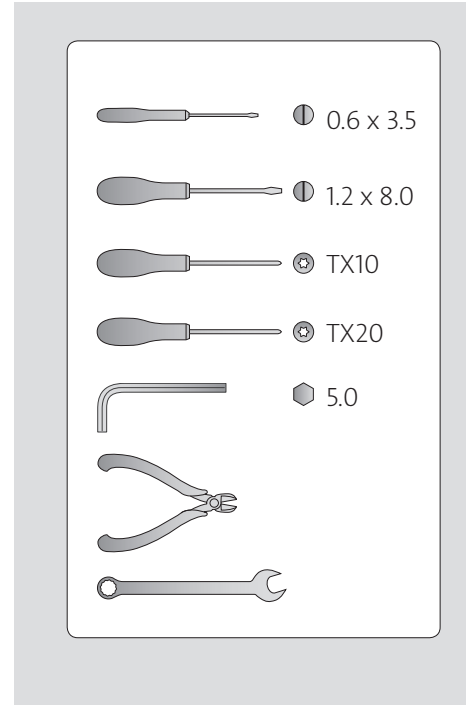


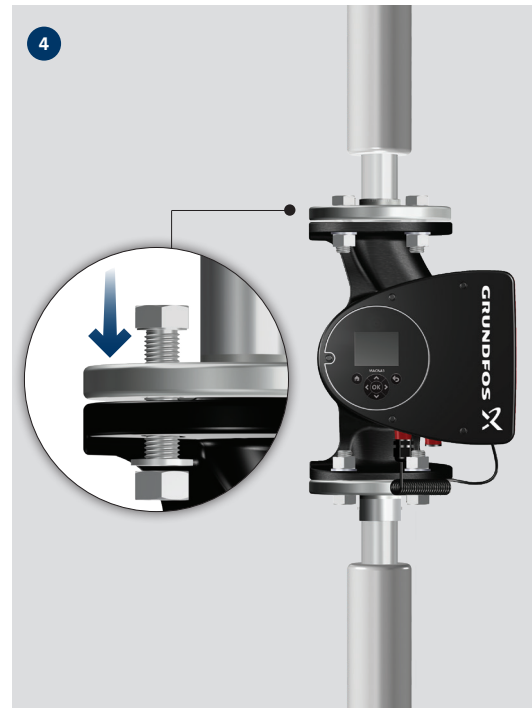
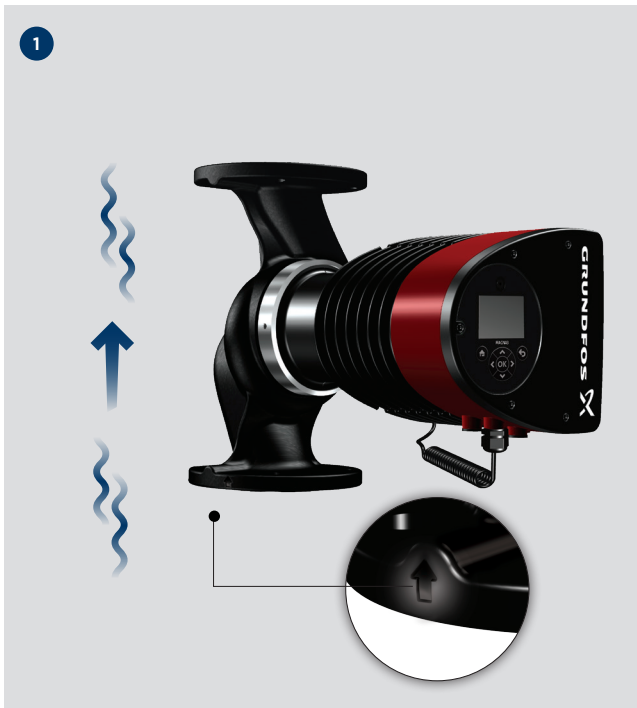
Min./Max.
0 °C – +40 °C

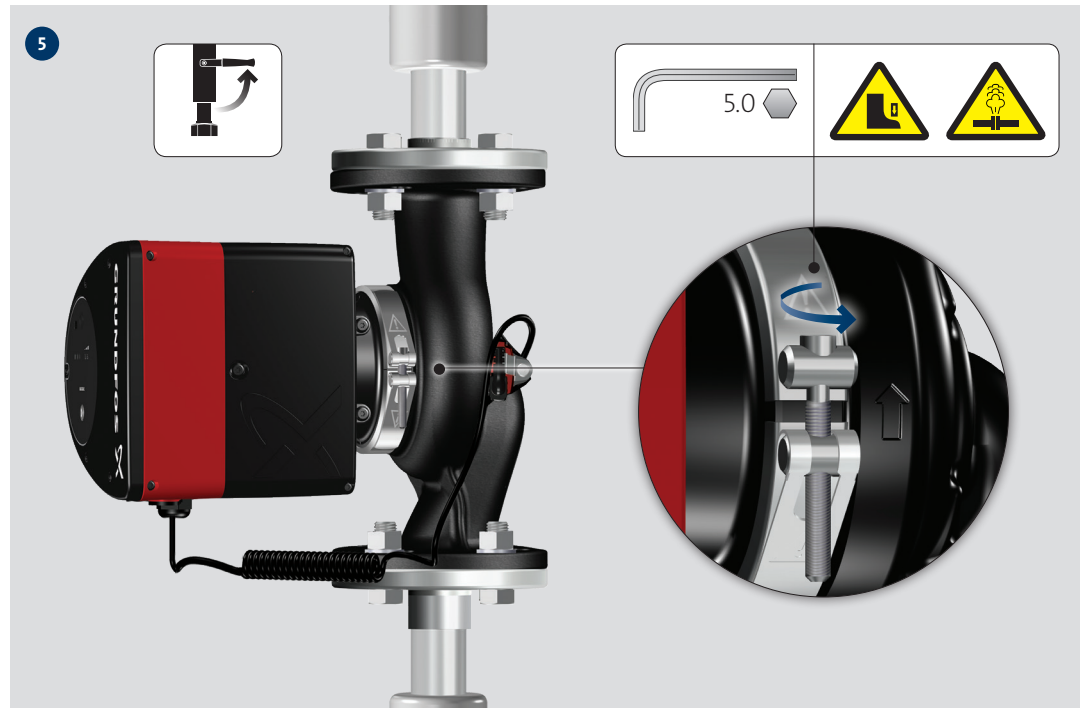
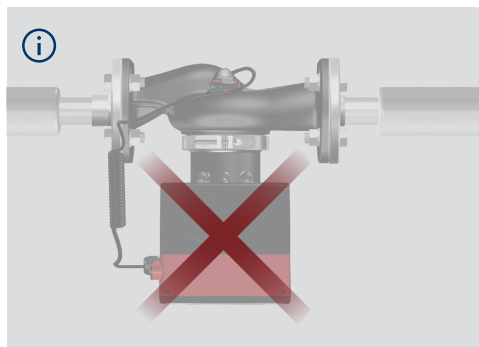
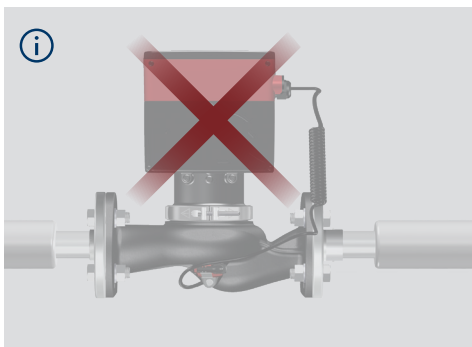
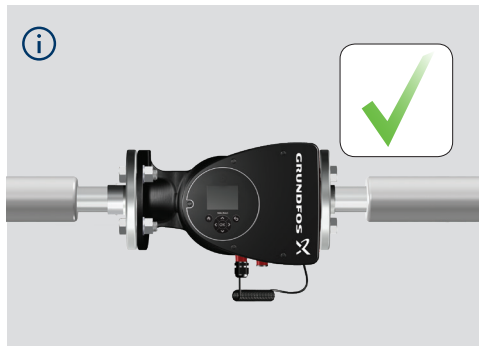
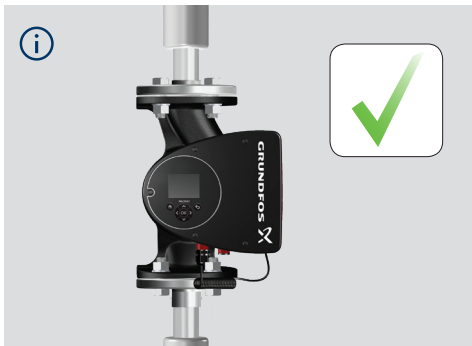


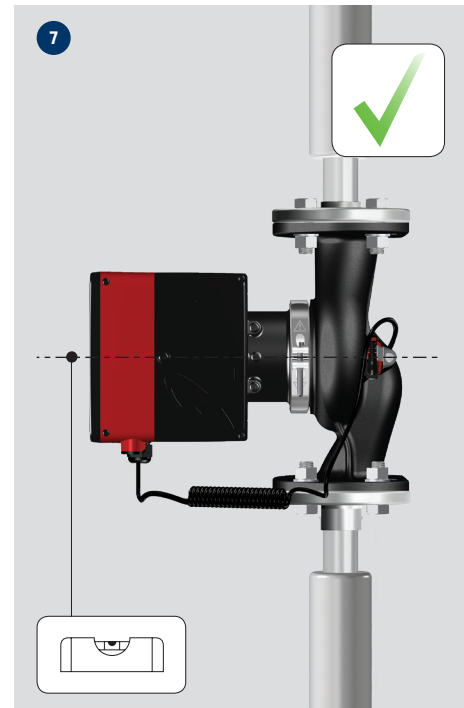
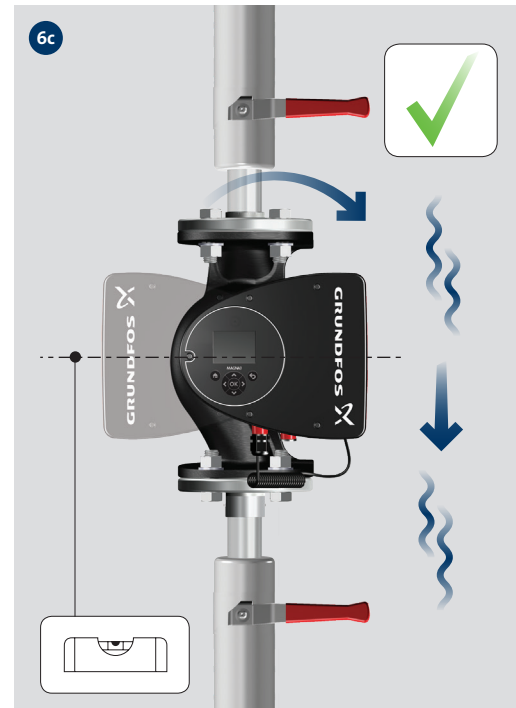
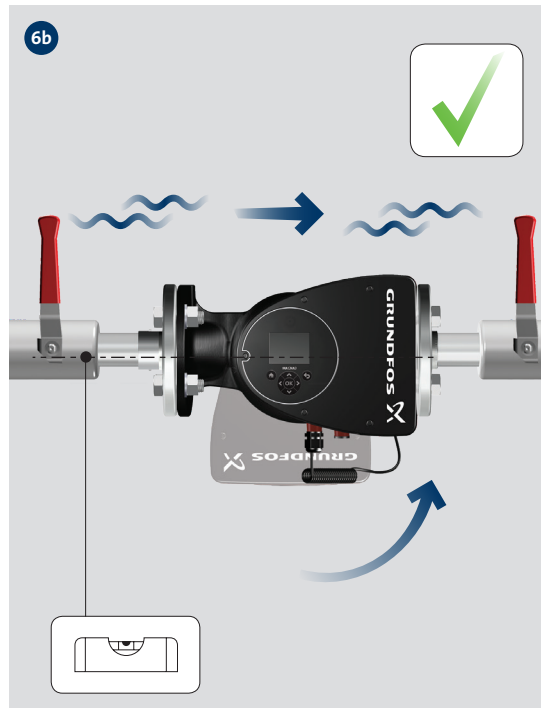
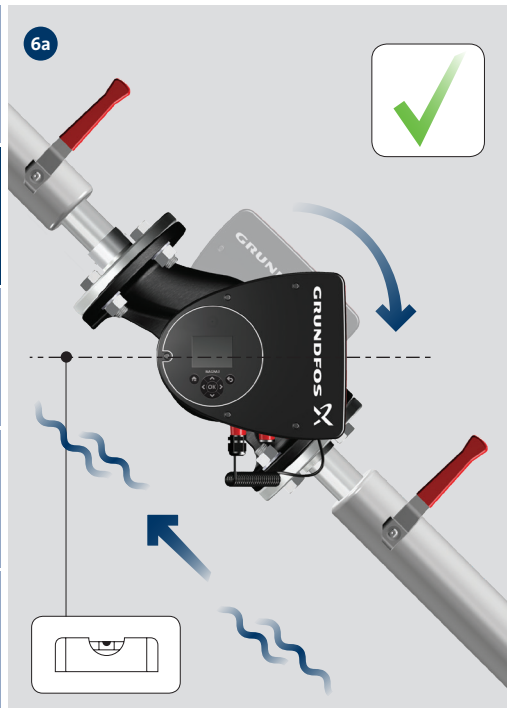
< 55 dB(A)





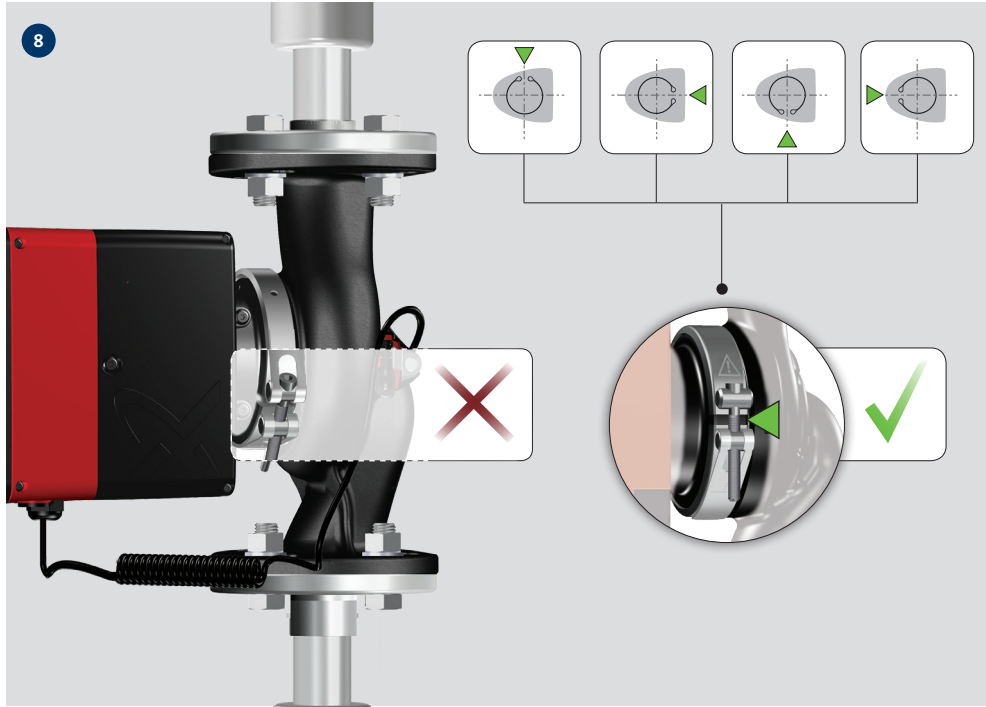




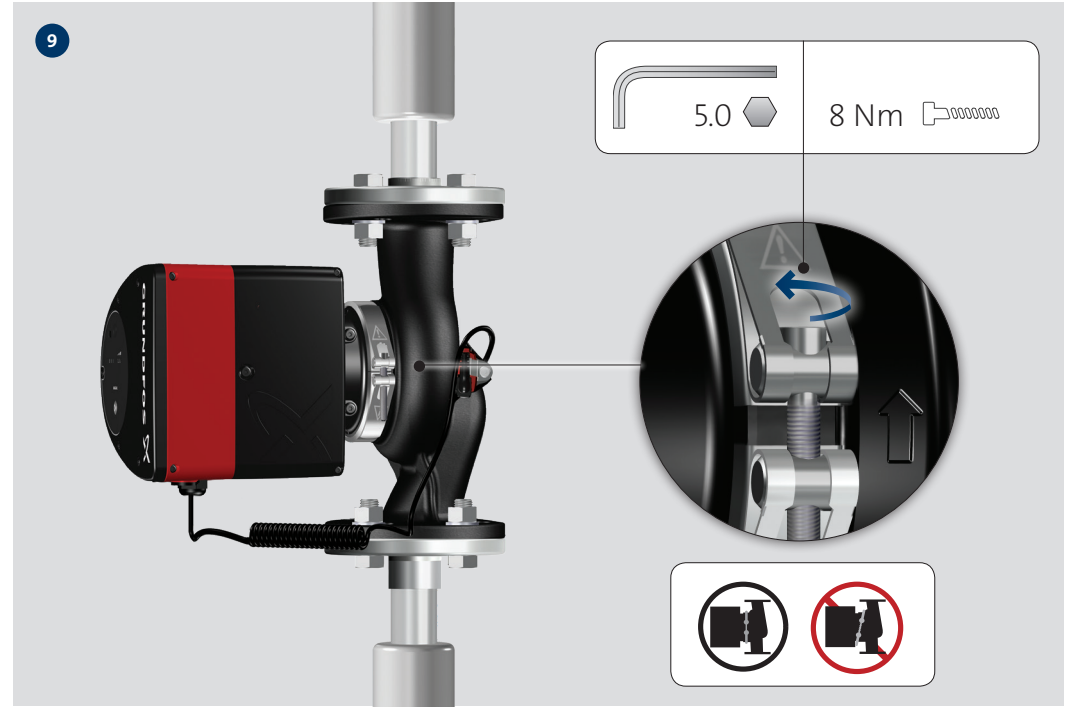




8



9





10

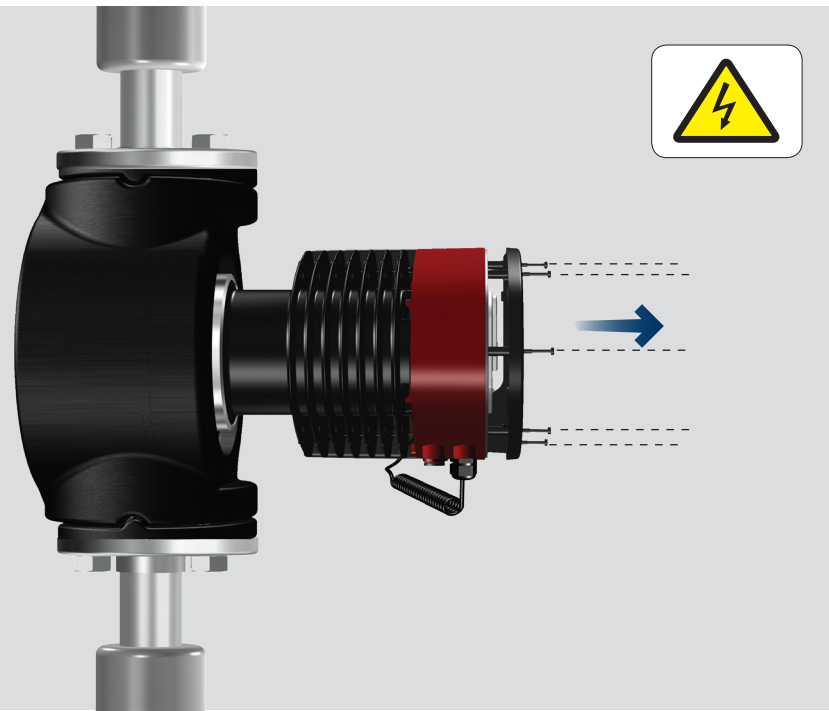


11

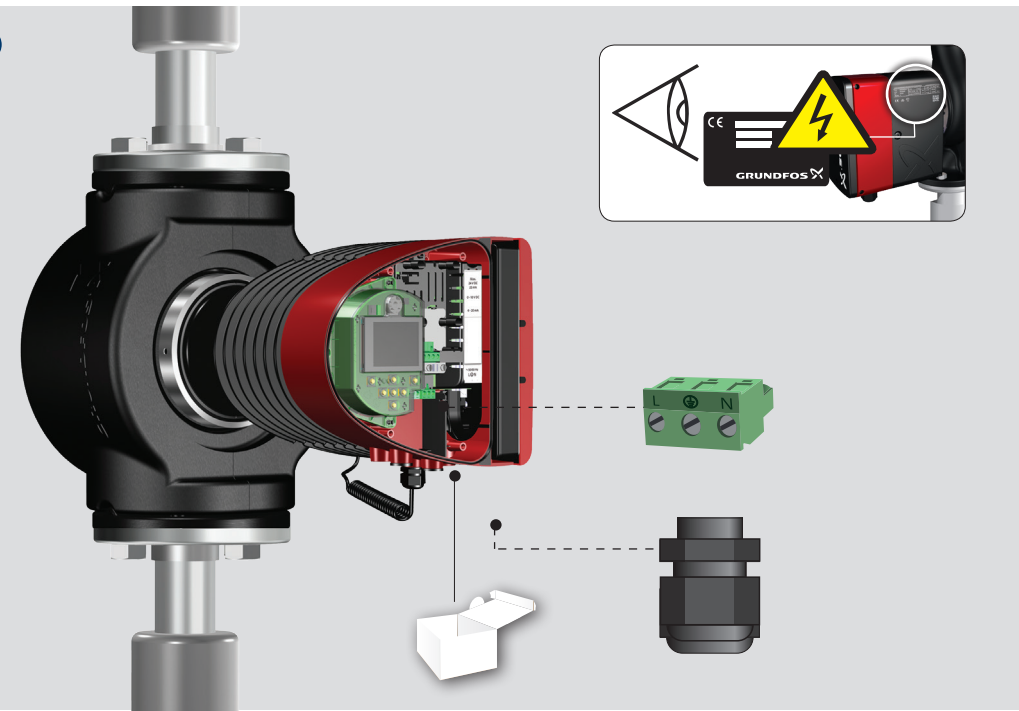


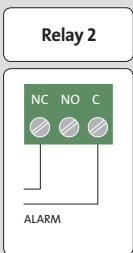
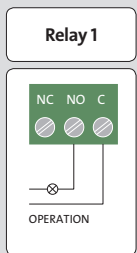
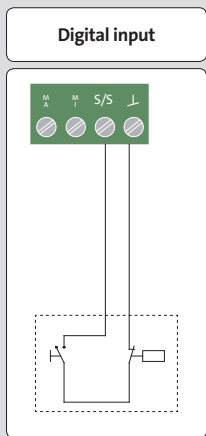
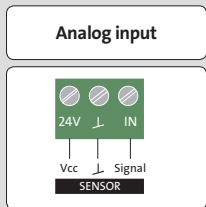


12

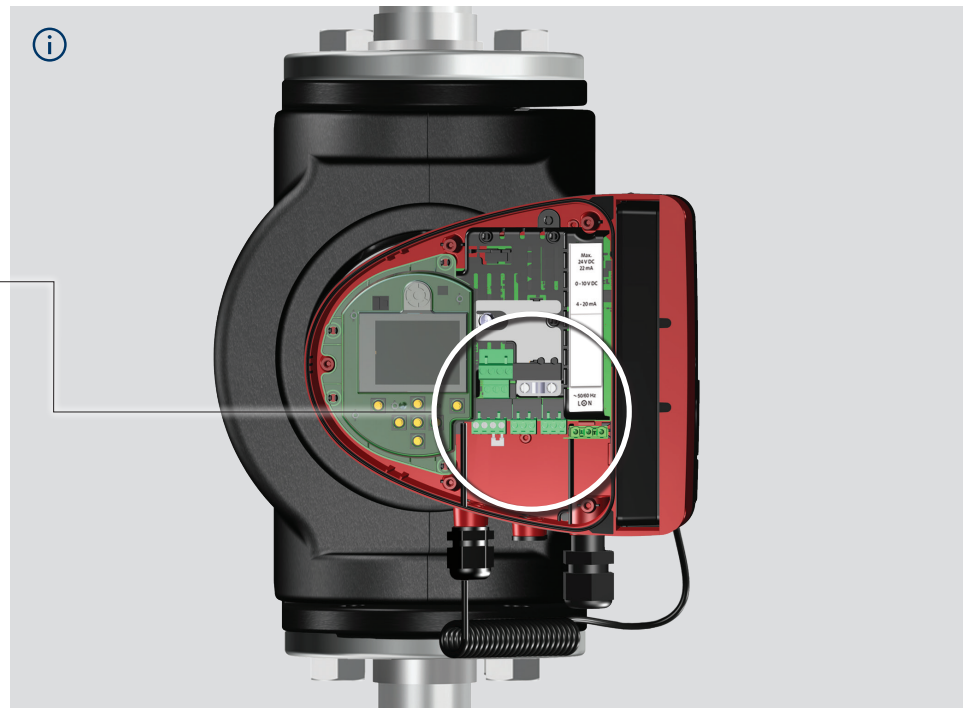
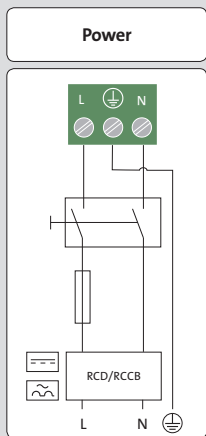


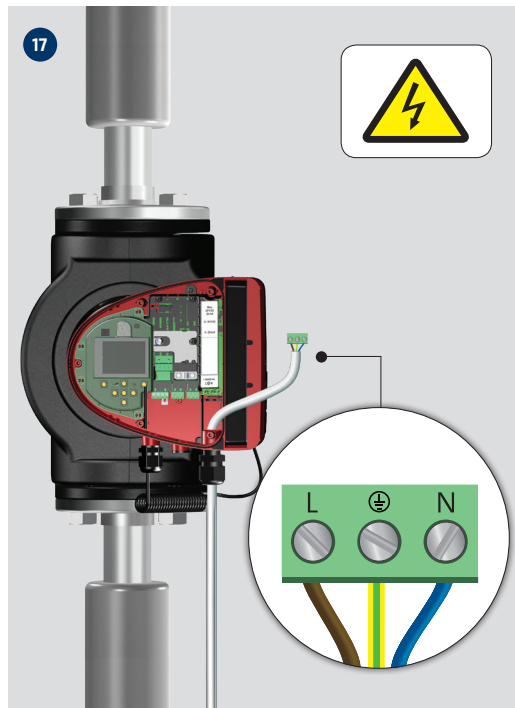
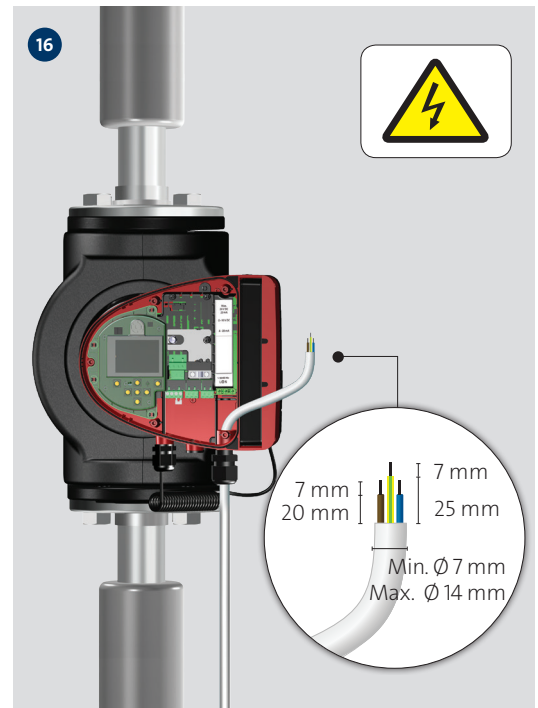
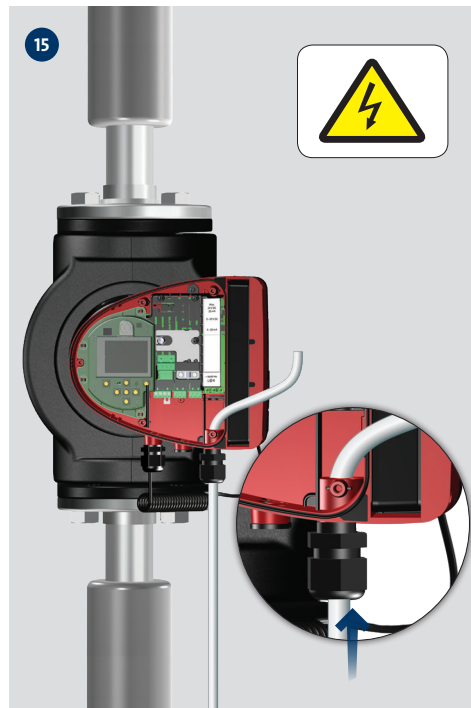
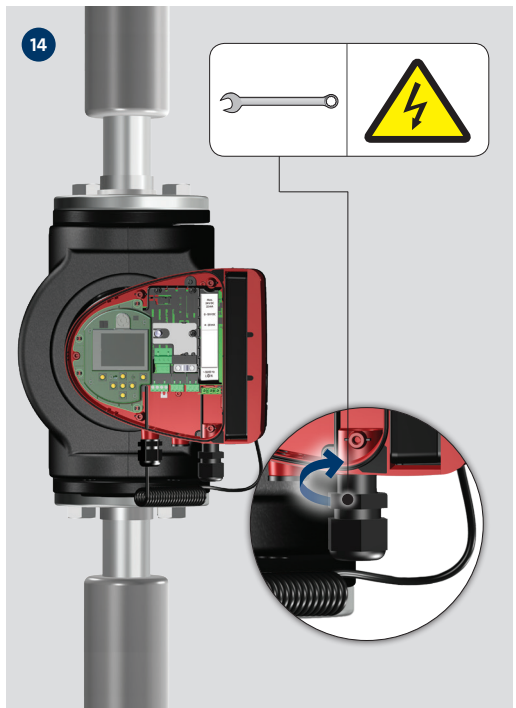
13





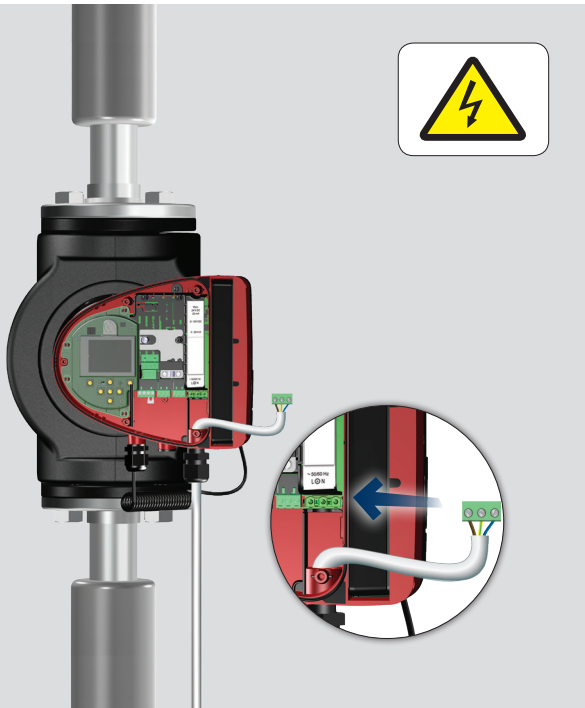
Use C and NC for fault signals as this enables serial connections of more relays and detection of signal cable defects.



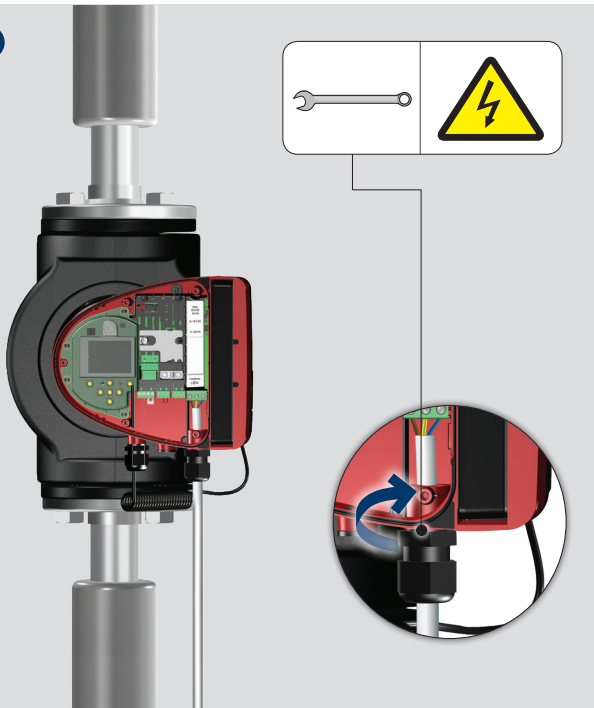




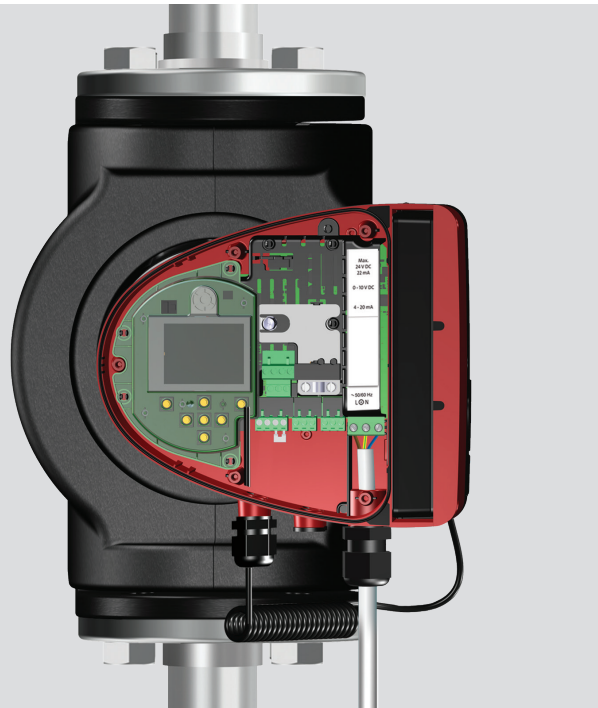
18



19

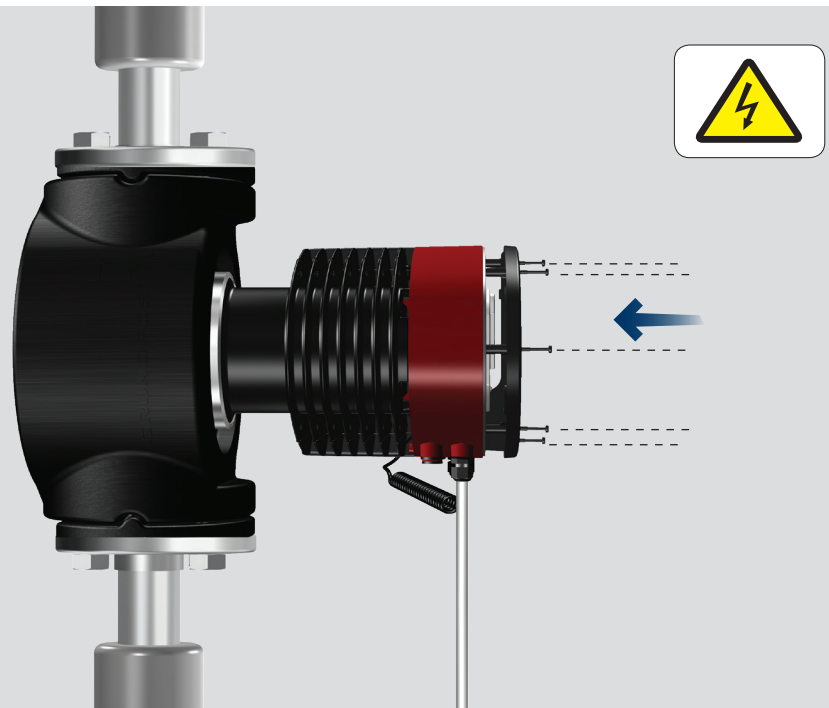


20





21



22





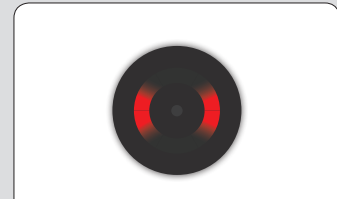
23



Power cycle
Max. 4 starts
per 60 minutes



24



Further product documentation



net.grundfos.com/qr/i/98091805





Installation date: _____

Installer:

98091803 0219

ECM: 1253737

GRUNDFOS Holding A/S
Poul Due Jensens Vej 7
DK-8850 Bjerringbro
Tel: +45 87 50 14 00
www.grundfos.com

GRUNDFOS 