

GRUNDFOS INSTRUCTIONS



MAGNA1

VALID FROM MODEL C

Further product documentation



net.grundfos.com/qr/i/99209952

be
think
innovate

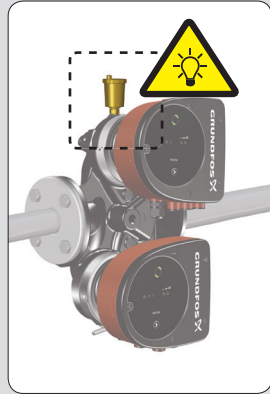
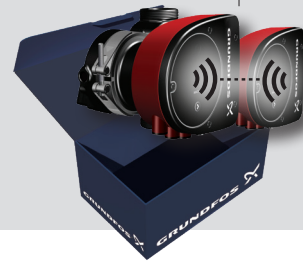
GRUNDFOS 



MAGNA1



MAGNA1 D

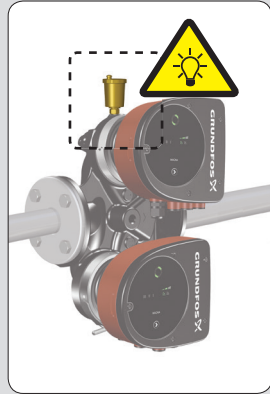
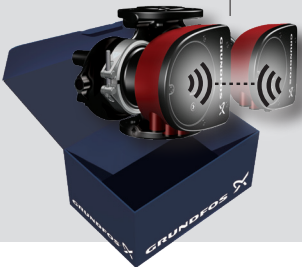




MAGNA1 F



MAGNA1 D F





Max. 95 % RH
IPX4D



Min./Max.
-10 °C – +110 °C



PN 6:6 bar / 0.6 MPa
PN 10:10 bar / 1.0 MPa
PN 16:16 bar / 1.6 MPa

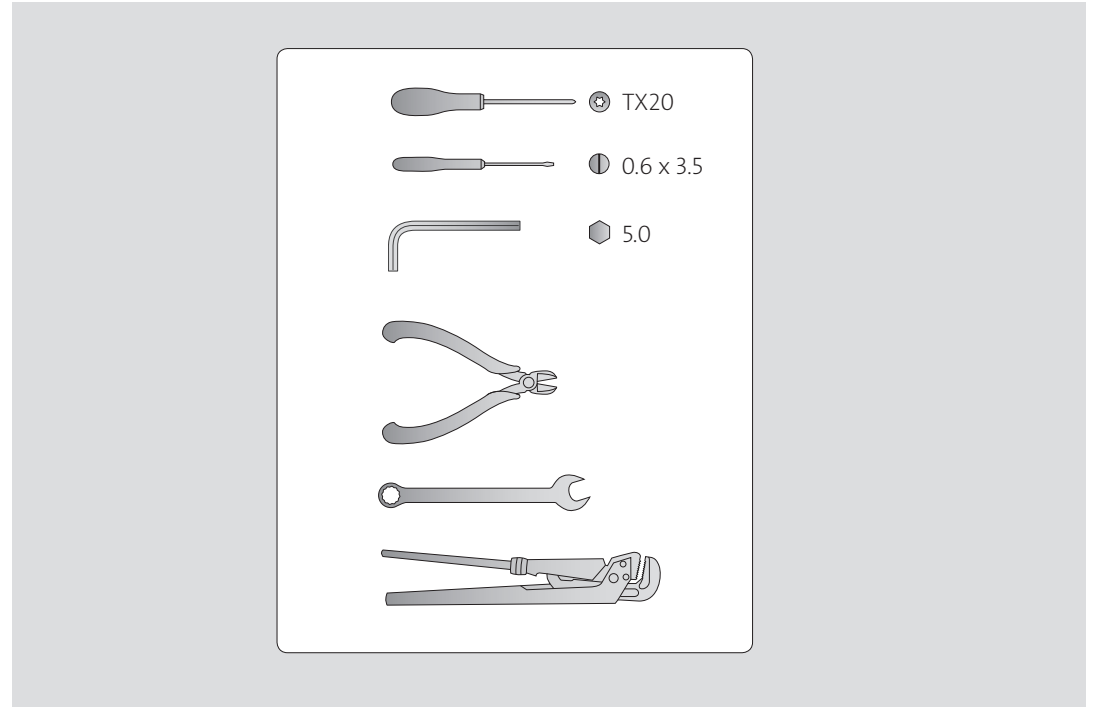
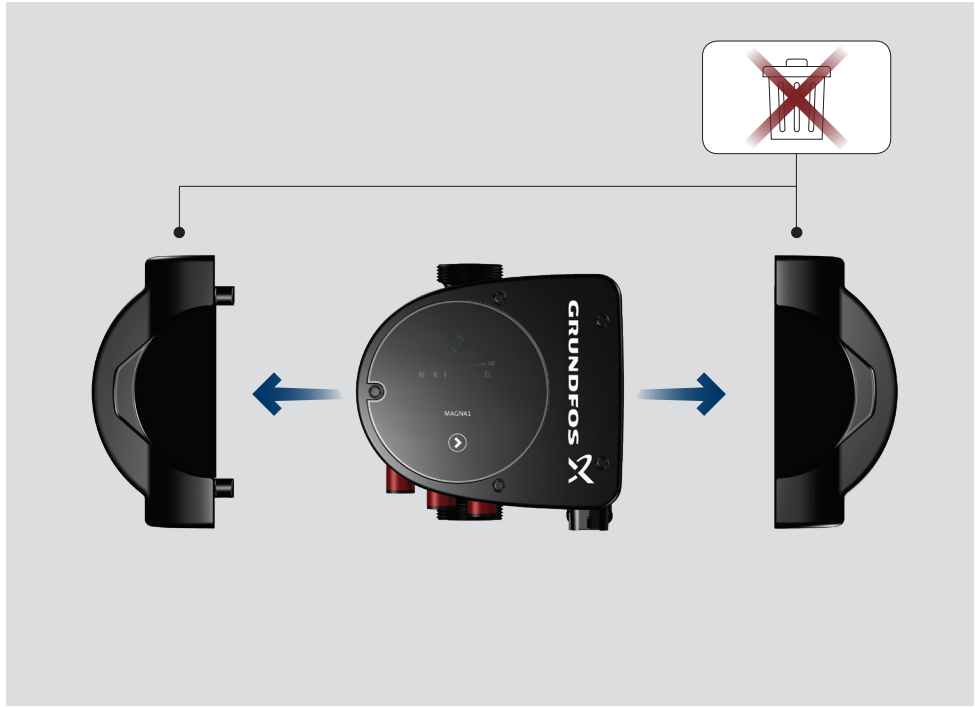


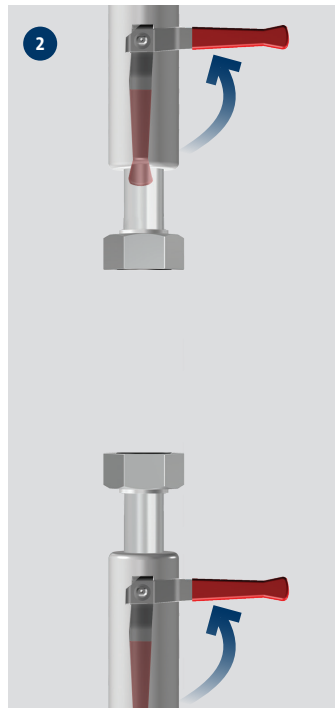
Min./Max.
0 °C – +40 °C

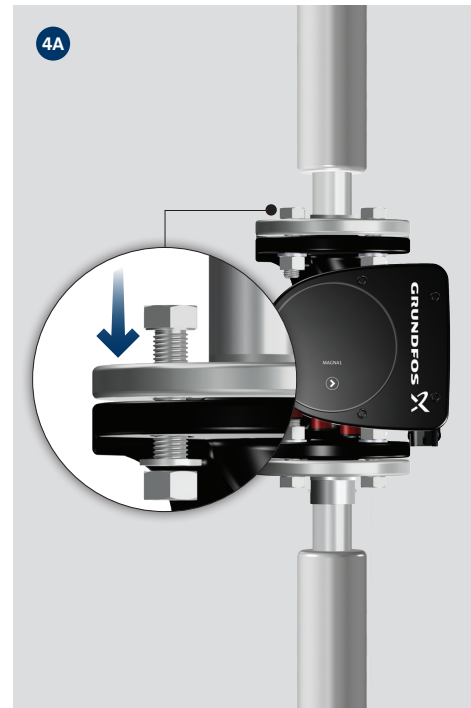


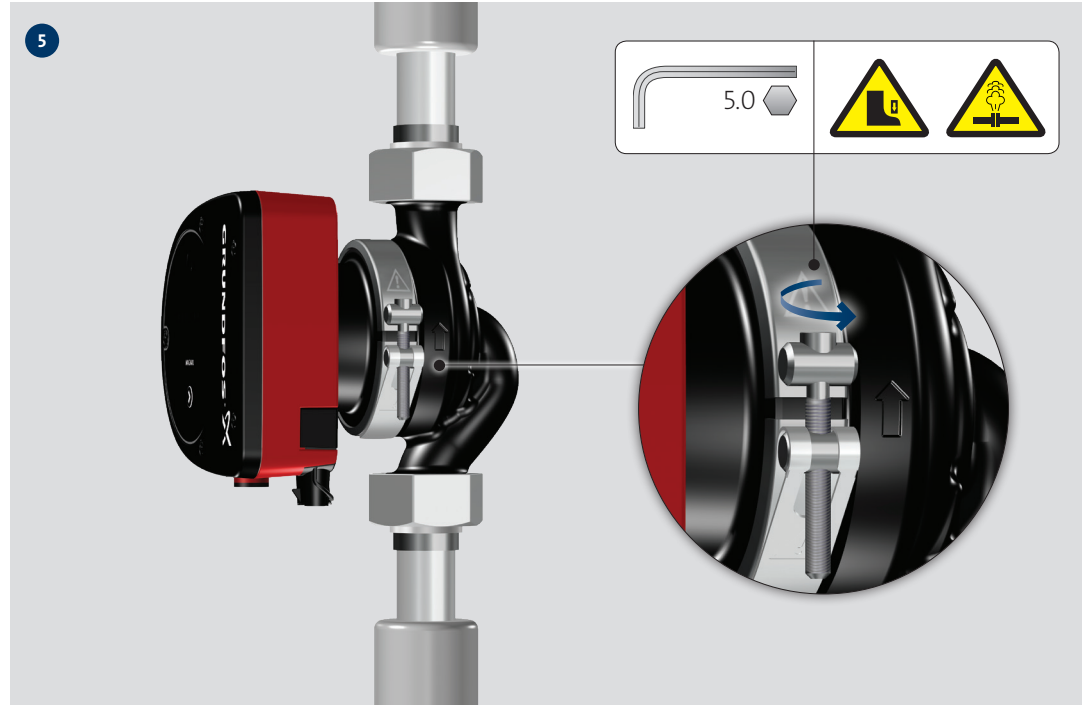
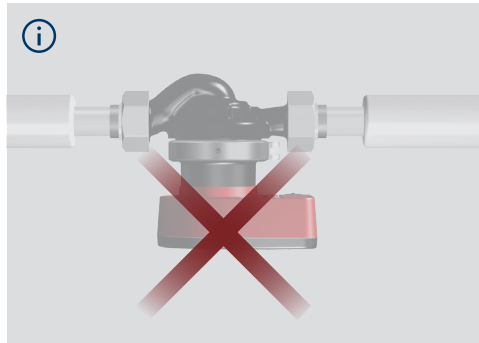
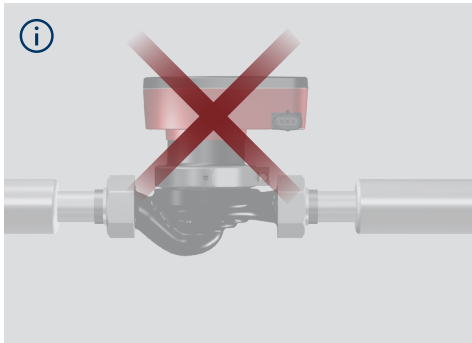
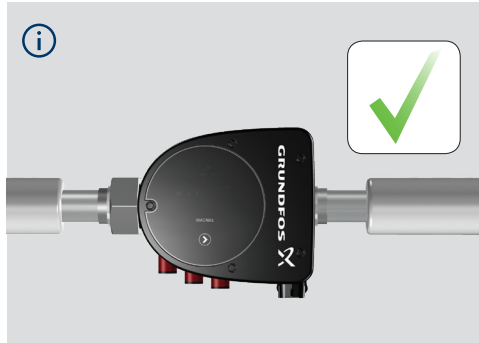
< 39 dB(A)

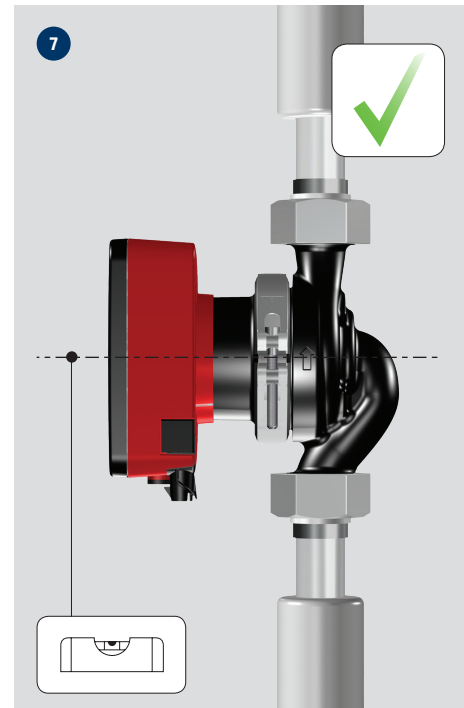
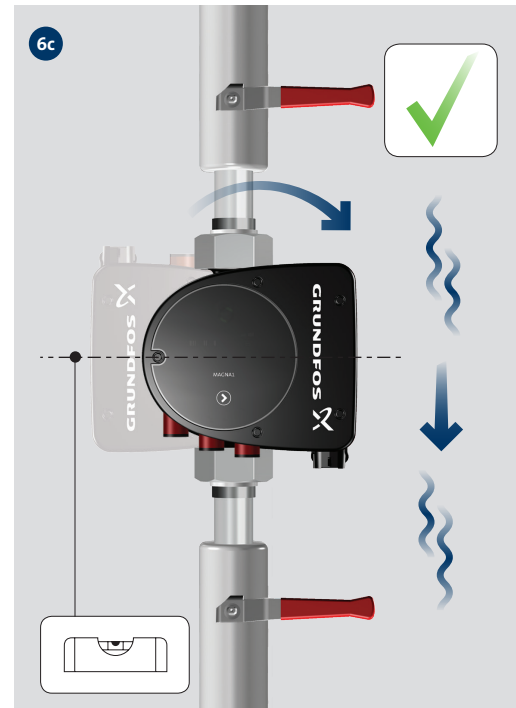
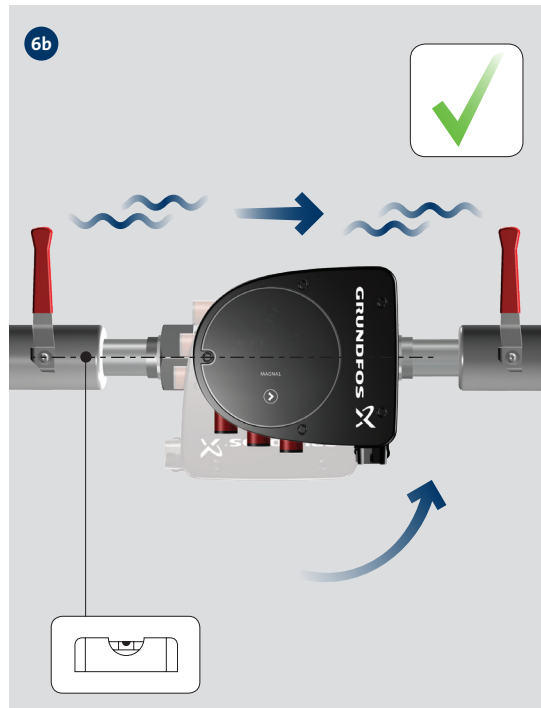
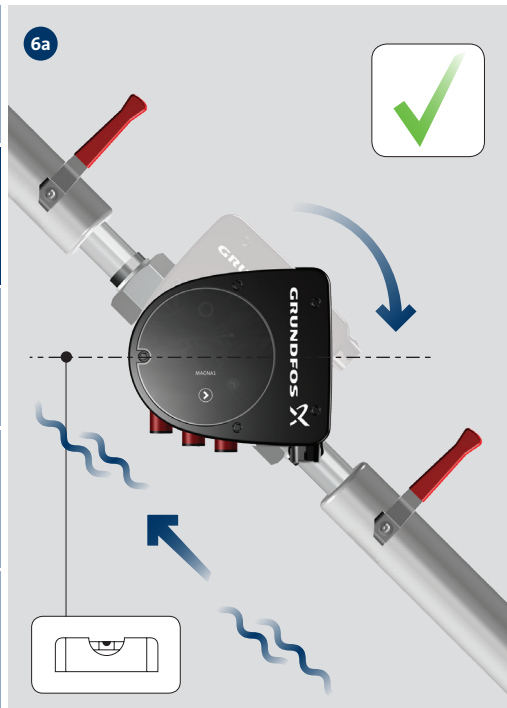






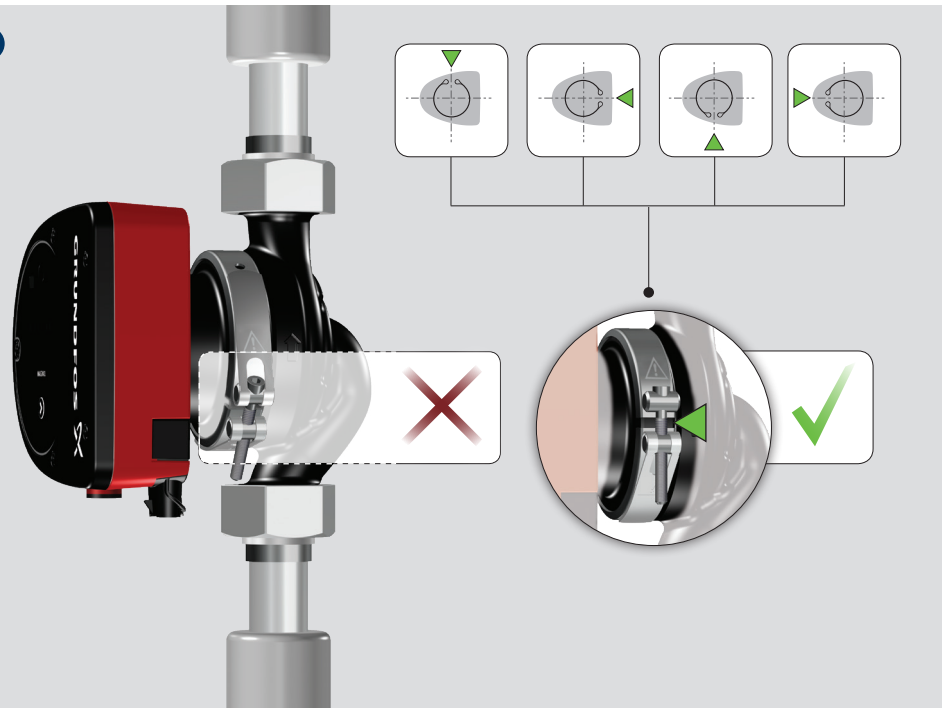




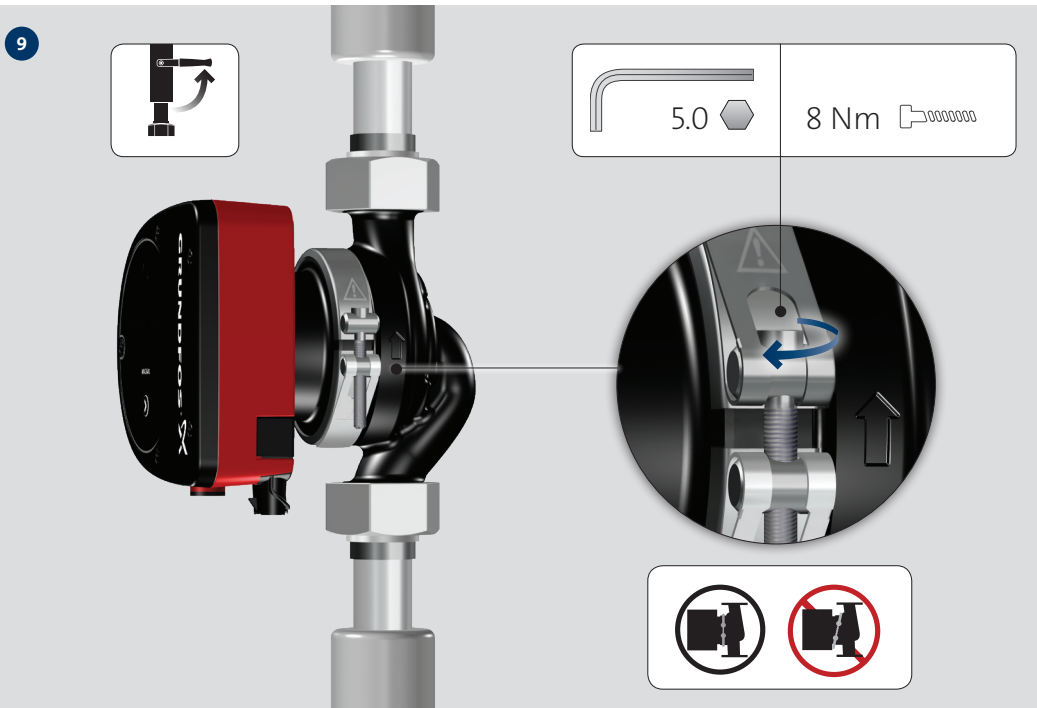




8

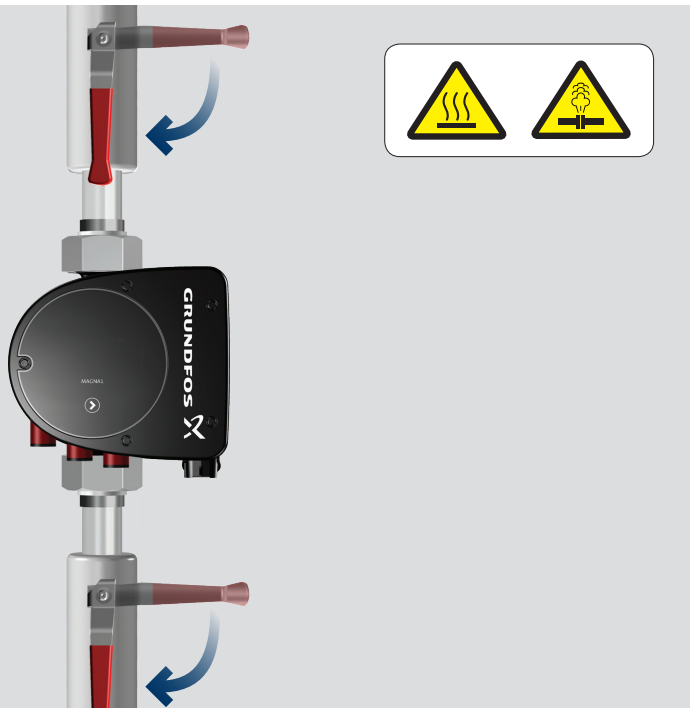


9

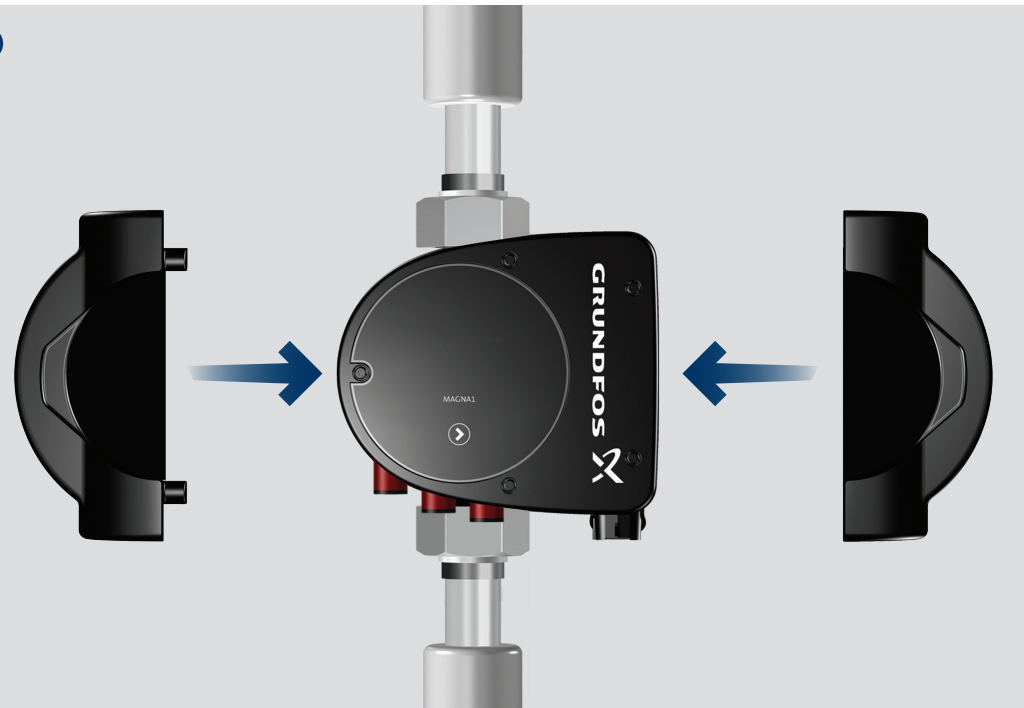




10

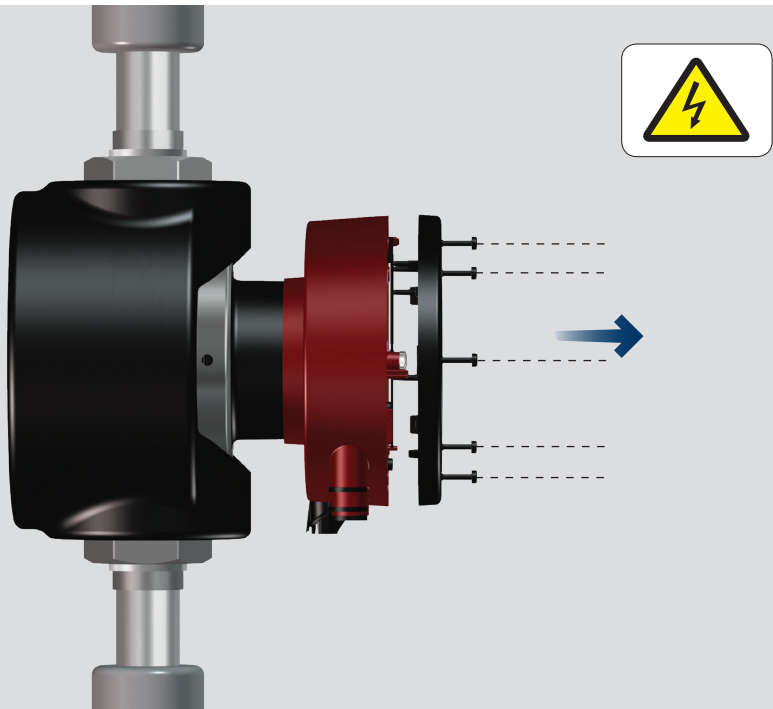


11

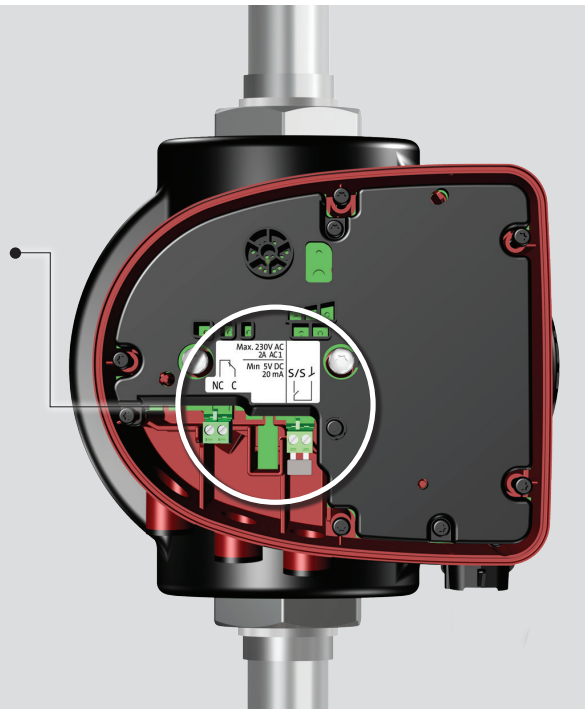
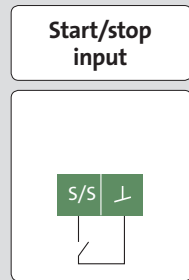
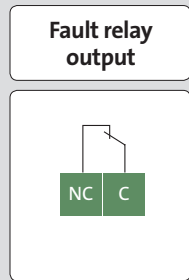




12



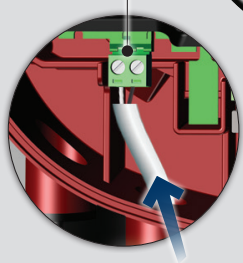
i





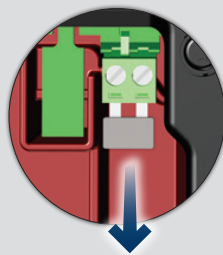
i

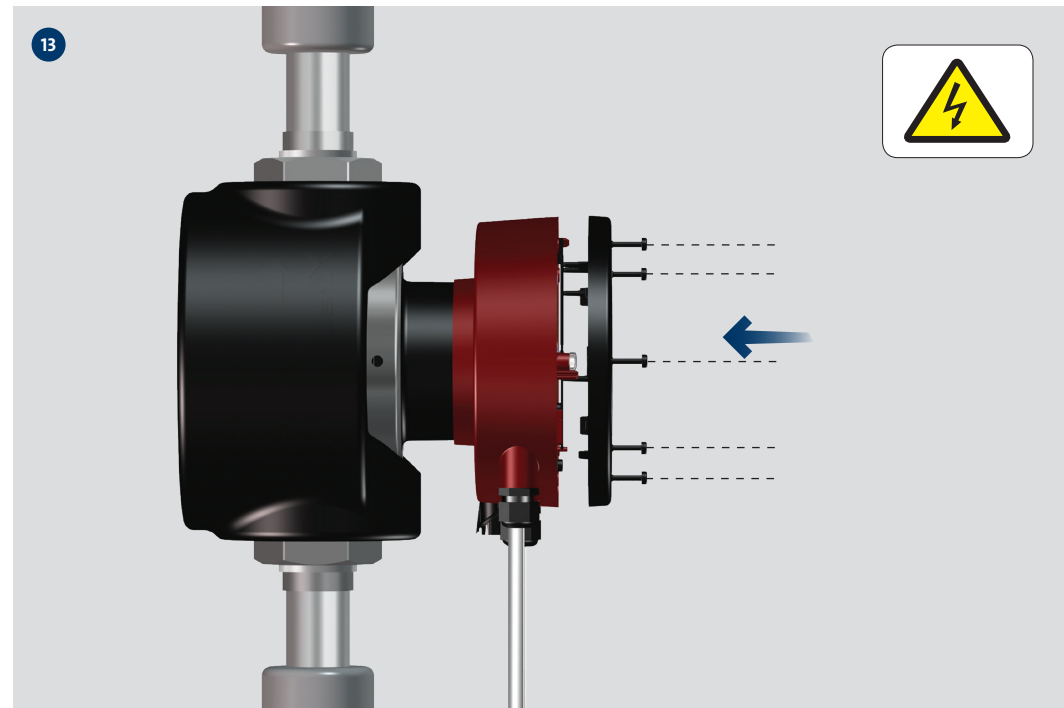
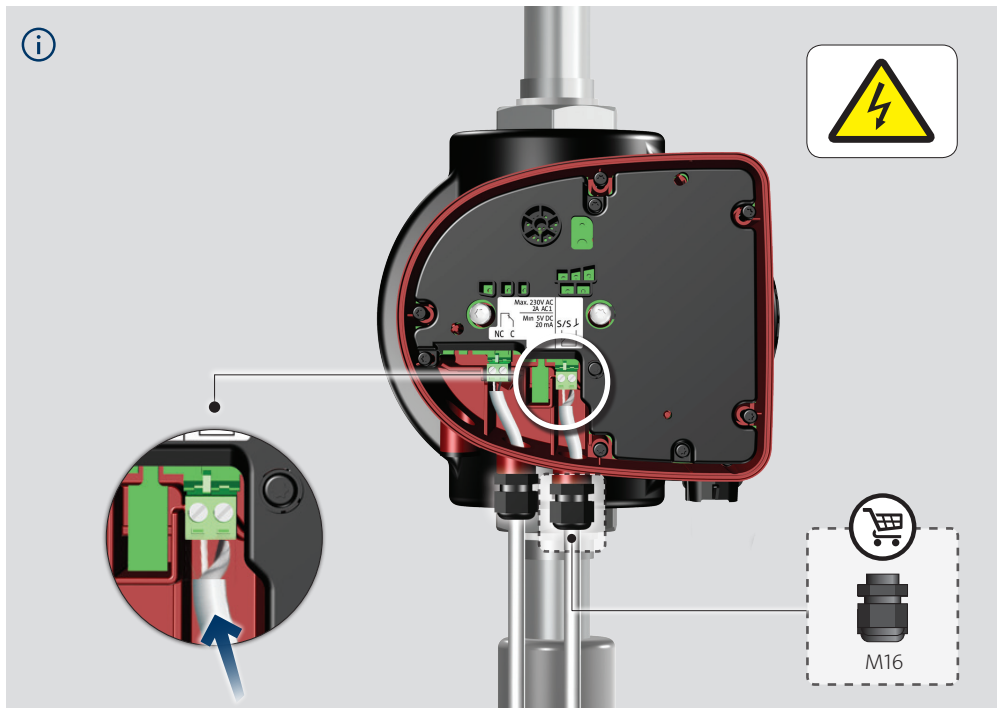
Fault relay
output

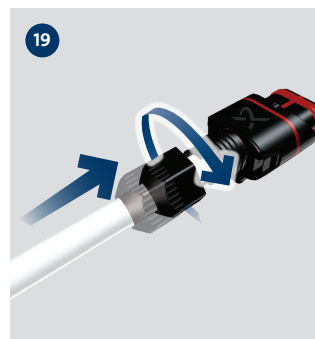
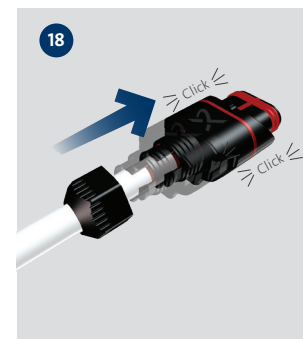
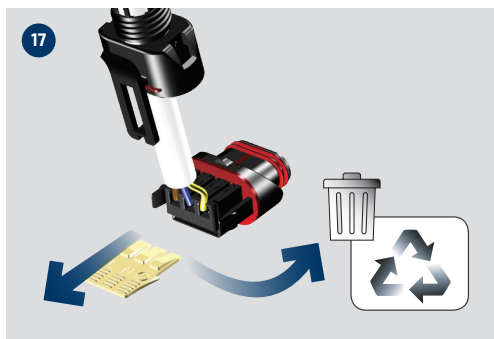
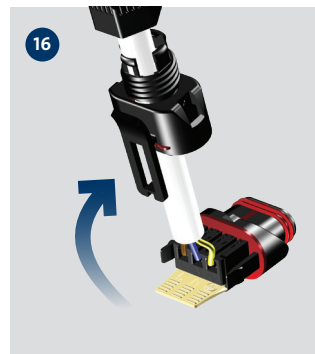
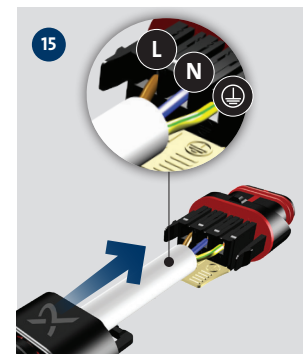
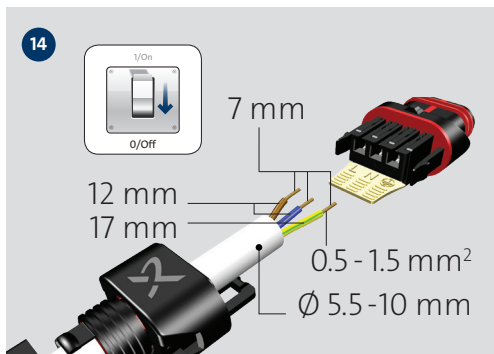


i

Start/stop
input









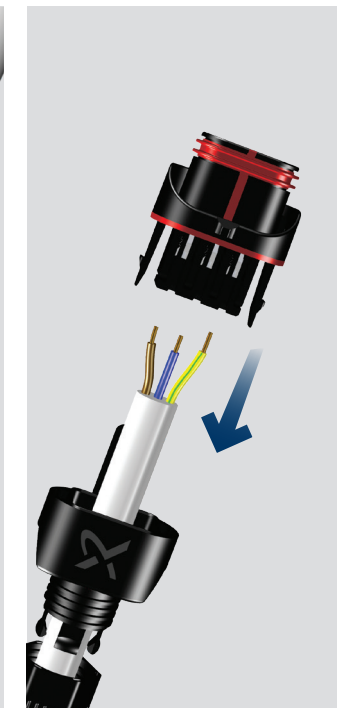
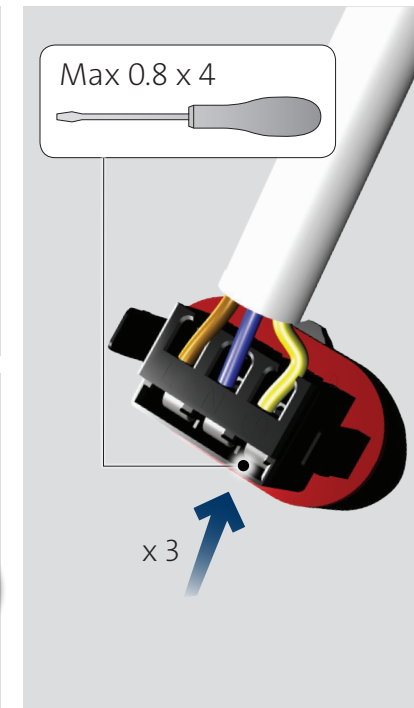
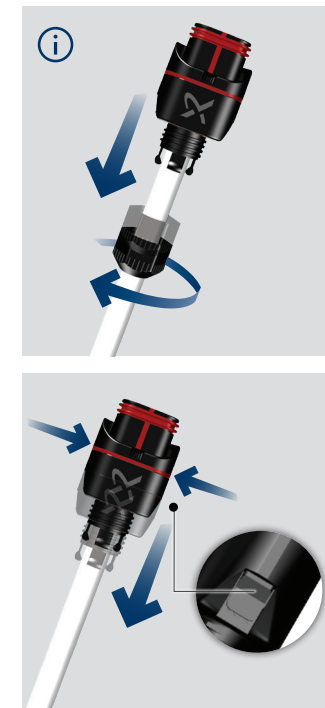
21



i

Power cycle
Max. 4 starts
per 60 minutes







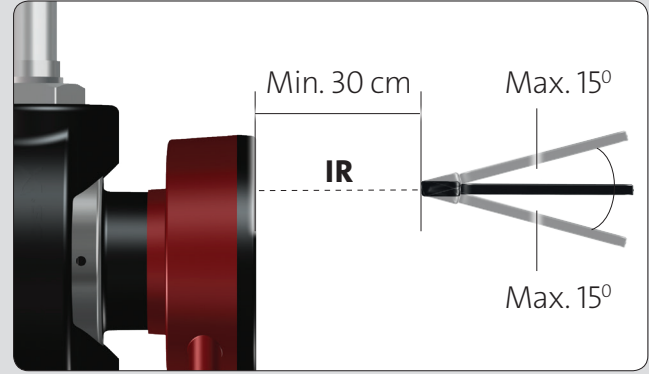
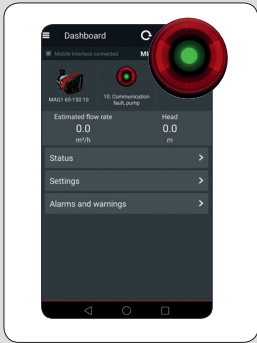
i

IR



IR

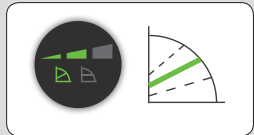
IR



net.grundfos.com/qr/i/99209952



i



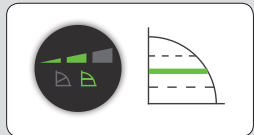
1X



2X



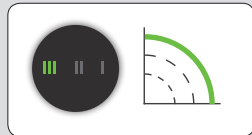
3X



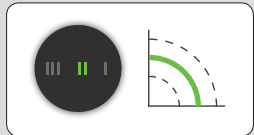
4X



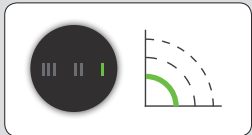
5X



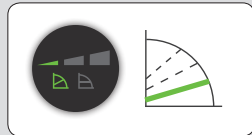
6X



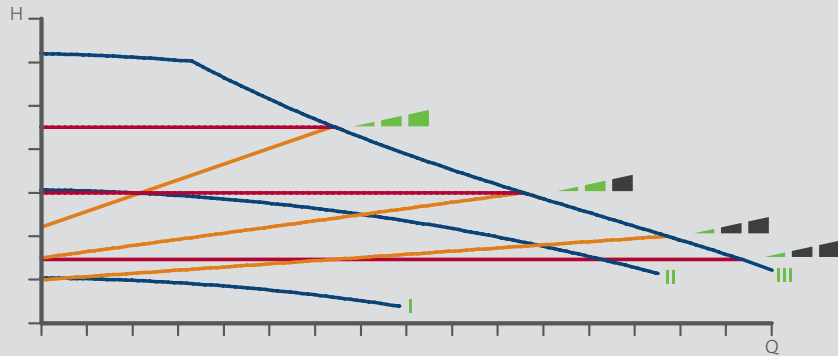
7X



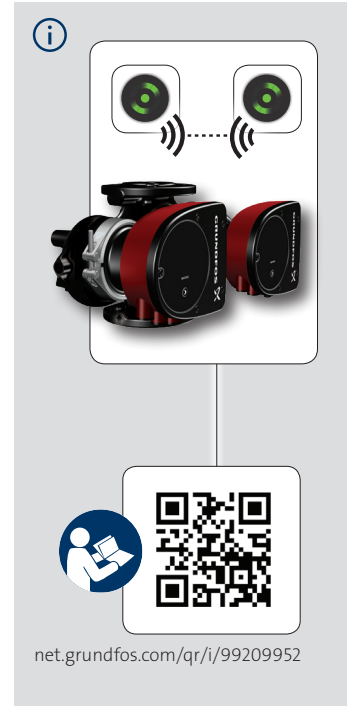
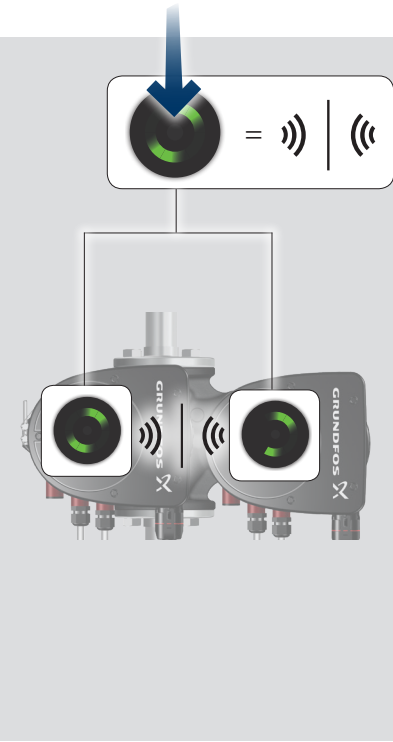
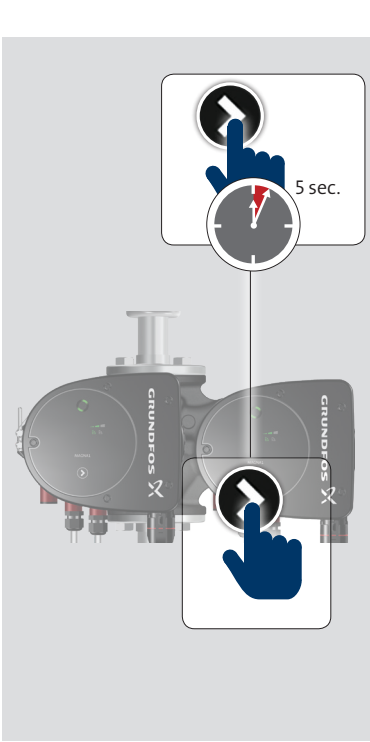
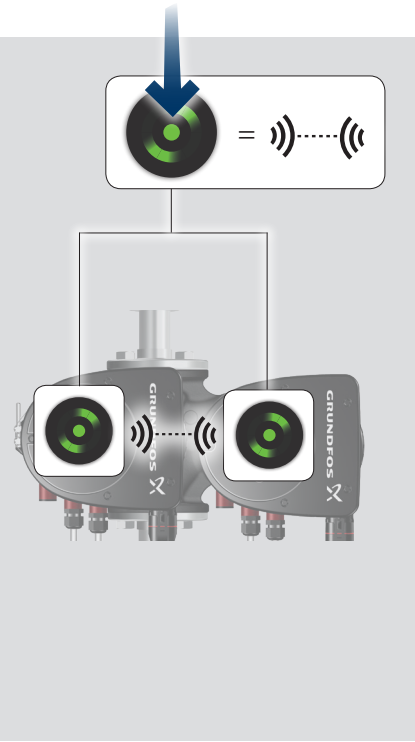
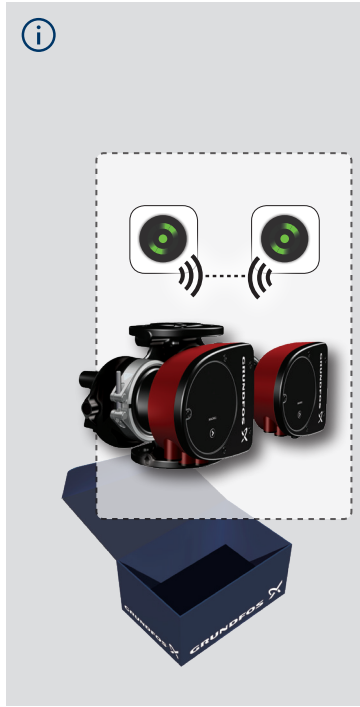
8X



i



net.grundfos.com/qr/i/99209952



Installation date: _____

Installer:

99334333 0219

ECM: 1253737

GRUNDFOS Holding A/S
Poul Due Jensens Vej 7
DK-8850 Bjerringbro
Tel: +45 87 50 14 00
www.grundfos.com

GRUNDFOS 