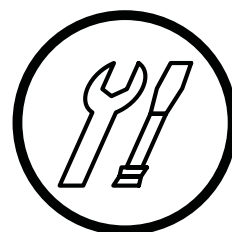


Air to Water Heat Pump

Split system (Single phase type)

Outdoor unit
WO*G112LBT
WO*G140LBT

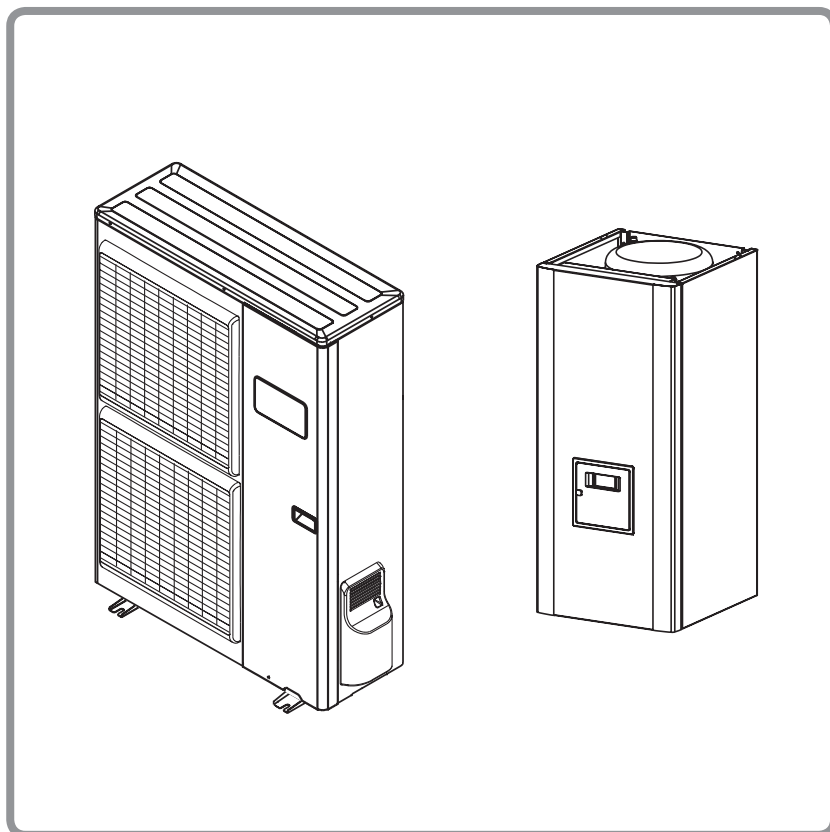
Hydraulic unit
WS*G140DB6



Installation and operating manual

intended for professionals

To be saved for
future consultation



Fujitsu General (Euro) GmbH
Wertstrasse 20
40549 Düsseldorf - Germany

Subject to modifications without notice.
Non contractual document.

Contents

Description of the unit		5
Package	5	Heating power curve. 9
Definitions	5	Description. 10
Specifications	6	Operating principle 11
 Installation		 12
Regulation installation and maintenance conditions	12	Connecting the heating circuit hydraulically 21
Unpacking and reservations	12	General 21
Receipt	12	Rinsing out the installation 21
Handling	12	Filling and purging the installation 21
Accessories provided	12	Electrical connections 22
Installation position	12	Characteristic of the electrical supply. 22
Installation of the outdoor unit	12	General remarks on electrical connections 22
Installation precautions	12	Overview of all the electrical connections 23
Outdoor unit positioning	14	Cable section and protection rating. 23
Condensate drain hose	14	Electrical connections on the outdoor unit side 24
Installing the hydraulic unit	15	Electrical connections on the hydraulic unit side 25
Installation precautions	15	Outdoor sensor 27
Positioning the hydraulic unit	15	Room thermostat and/or room control unit 27
Refrigeration connections	16	Start-up 28
Rules and precautions	16	Configuring the room thermostat 28
Refrigeration connections.	16	Configuring room control unit 28
Creating the flarings	17	
Shaping the refrigeration pipes	17	
Connecting the flared connections	17	
Filling the installation with gas	19	
Creating a vacuum and filling the refrigeration connections with gas	19	
Sealing test	19	
Additional charge	20	
Pump down (Refrigerant collecting operation)	20	

Regulation system 29

User interface and room control unit (option)	29	Parametering the setting	32
Room thermostat (option)	30	General	32
Temperature control	30	Setting parameters	32
Manual adjustment	30	List of function lines	
Self-adaptation	30	(settings, diagnosis, status).	32

Configuring the installation 44

Configuration 1, 2, 3 or 4 :		Electrical connections	45
heat pumps with electric back-ups	45	Parametering the setting	45
Hydraulic connections	45	Higher temperature radiators	45
		Special cases	45

Electrical wiring diagrams 50

Troubleshooting 52

Information display	52	Faults displayed on the outdoor unit.	54
Faults displayed on hydraulic unit	53		

Quick-start procedure 55

Start-up	55	Settings sheet	57
Start-up check-list	55	Start-up data sheet	58
Defore starting-up.	55		
Starting-up	56		

Instructions for the user 59

Packing list

<i>Heat pump</i>	<i>Outdoor unit</i>	<i>Hydraulic unit</i>
112	WO*G112LBT	WS*G140DB6
140	WO*G140LBT	

Optional equipment

- 2nd circuit kit (UTW-KZS*A).
- for connecting 2 heating circuits.
- DHW kit (UTW-KDW*A).
- for connecting a DHW tank
(with built-in electrical backups).
- Boiler connection kit (UTW-KBS*A).
-for connecting a boiler to the heat pump.
- Room thermostat (UTW-C55*A).
- for correcting the ambient temperature.
- Room control unit (UTW-C75*A).
- for correcting the ambient temperature and
programming the heat pump.
- Cooling kit (UTW-KCL*A).
- Swimming pool kit (UTW-KSP*A).
- High flow rate circulating pump kit (UTW-PHF*A).
- for the installation of 1 circuit floor heating.
- Cooling kit (UTW-KCH*A) compatible with
high flow rate circulating pump.

Scope of application

This heat pump provides :

- Heating in winter.
- Control of two heating circuits*
- Production of domestic hot water* (provided that
combined with a DHW tank).
- Cooling* in summer (for floor heating-cooling system
or fan-convectors).
- Installation with boiler connection* as a supplementary
heating for the coldest days.
- Heating the swimming pool*.

* : These options require the use of additional kits
(see para. "Optional equipment").

1 Description of the unit

1.1 Package

- 1 package : Outdoor unit.
- 1 package : Hydraulic unit and outdoor sensor.

1.2 Definitions

Split : The heat pump consists of two elements (an outdoor unit for outside and a hydraulic unit for inside the dwelling).

Air/water : The surrounding air is the energy source. This energy is transmitted to the water in the heating circuit by the heat pump.

Inverter : The fan and compressor speeds are modulated according to the heating requirements.

This technology enables you to save on energy and operate on a single-phase power supply, whatever the heat pump's output, by avoiding heavy intensities on start-up.

COP (coefficient of performance) : This is the relationship between the energy transmitted to the heating circuit and electrical energy consumed.

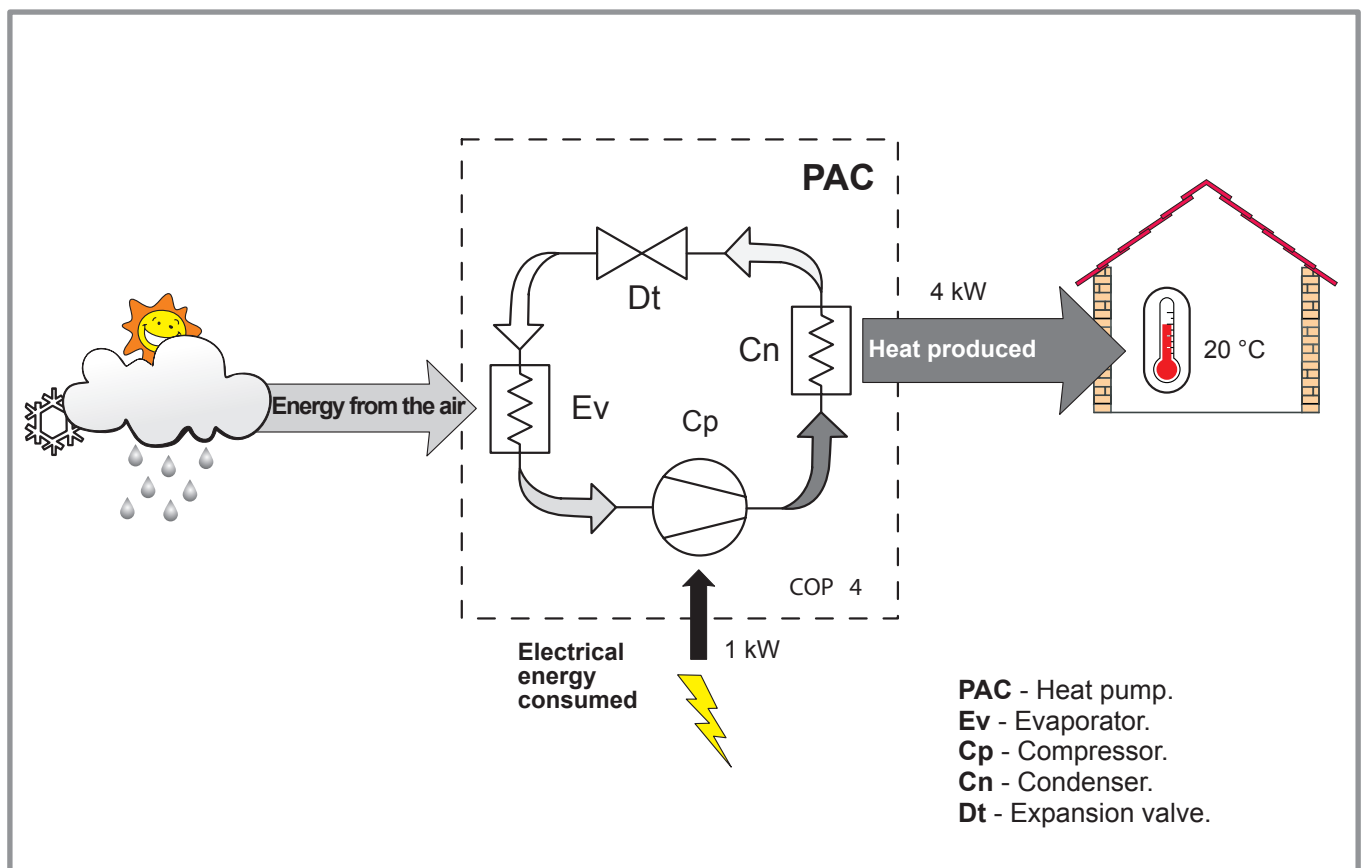


figure 1 - Heat pump operating principle

1.3 Specifications

Designation, model112140
Nominal heating performances (outdoor temperature/ initial temperature)		
Heat output		
+7 °C / +35 °C - Floor heating system	kW	11,2 14,0
-7 °C / +35 °C - Floor heating system	kW	11,2 14,0
+7 °C / +45 °C - Low temperature radiator	kW	9,60 12,0
-7 °C / +45 °C - Low temperature radiator	kW	9,60 12,0
Power absorbed		
+7 °C / +35 °C - Floor heating system	kW	2,54 3,25
-7 °C / +35 °C - Floor heating system	kW	4,16 5,47
+7 °C / +45 °C - Low temperature radiator	kW	2,77 3,50
-7 °C / +45 °C - Low temperature radiator	kW	4,12 5,32
Nominal coefficient of performance (COP) (+7 °C / + 35 °C) -		4,40 4,30
Electrical characteristics		
Supply voltage (50 HZ)	V	230 230
Maximum current of the appliance	A	20 24
Nominal current	A	10,8 13,7
Nominal current of the electrical back-ups	A	26,1 26,1
Power of the electrical back-ups	kW	6 6
Real power absorbed		
- By the fan	W	2x100 2x100
- By the circulation pump	W	151 151
Maximum power absorption		
- By the outdoor unit	kW	4,555 5,465
Hydraulic circuit		
Maximum operating pressure	bar	3 3
Hydraulic system flow rate		
4°C<Δt<8°C (nominal conditions)		
- minimum	l/h	1200 1500
- maximum	l/h	2400 3000
Various		
Weight of outdoor unit	kg	96 96
Noise level at 1 meter (outdoor unit)***	dB	55 56
Noise level at 5 meters (outdoor unit)***	dB	39 41
Weight of hydraulic unit (empty/full of water)	kg	52/78 52/78
Water capacity of the hydraulic unit	l	25 25
Heating system operating limits		
Outdoor temp mini/maxi	°C	-25/+35 -25/+35
Initial max. heating water temperature		
- Floor heating system	°C	45 45
- Temperature radiator	°C	60 60
Flow min. heating water temperature	°C	8 8
Refrigeration circuit		
Diameter of gas pipes	inches	5/8 5/8
Diameter of liquid pipes	inches	3/8 3/8
Factory charge of refrigerant R410A	g	2500 2500
Maximum operating pressure	bar	42 42
Minimum length of pipes	m	5 5
Maximum length of pipes*	m	15 15
Maximum length of pipes**	m	20 20
Maximum level difference**	m	15 15

* Factory charge of refrigerant R410A.

** Taking into account the possible additional load of refrigerant R410A (see [page 20](#)).

***Acoustic noise information : The maximum sound pressure level is less than 70 dB(A) for both hydraulic unit and outdoor unit.
According to IEC 704-1 and ISO 3744.

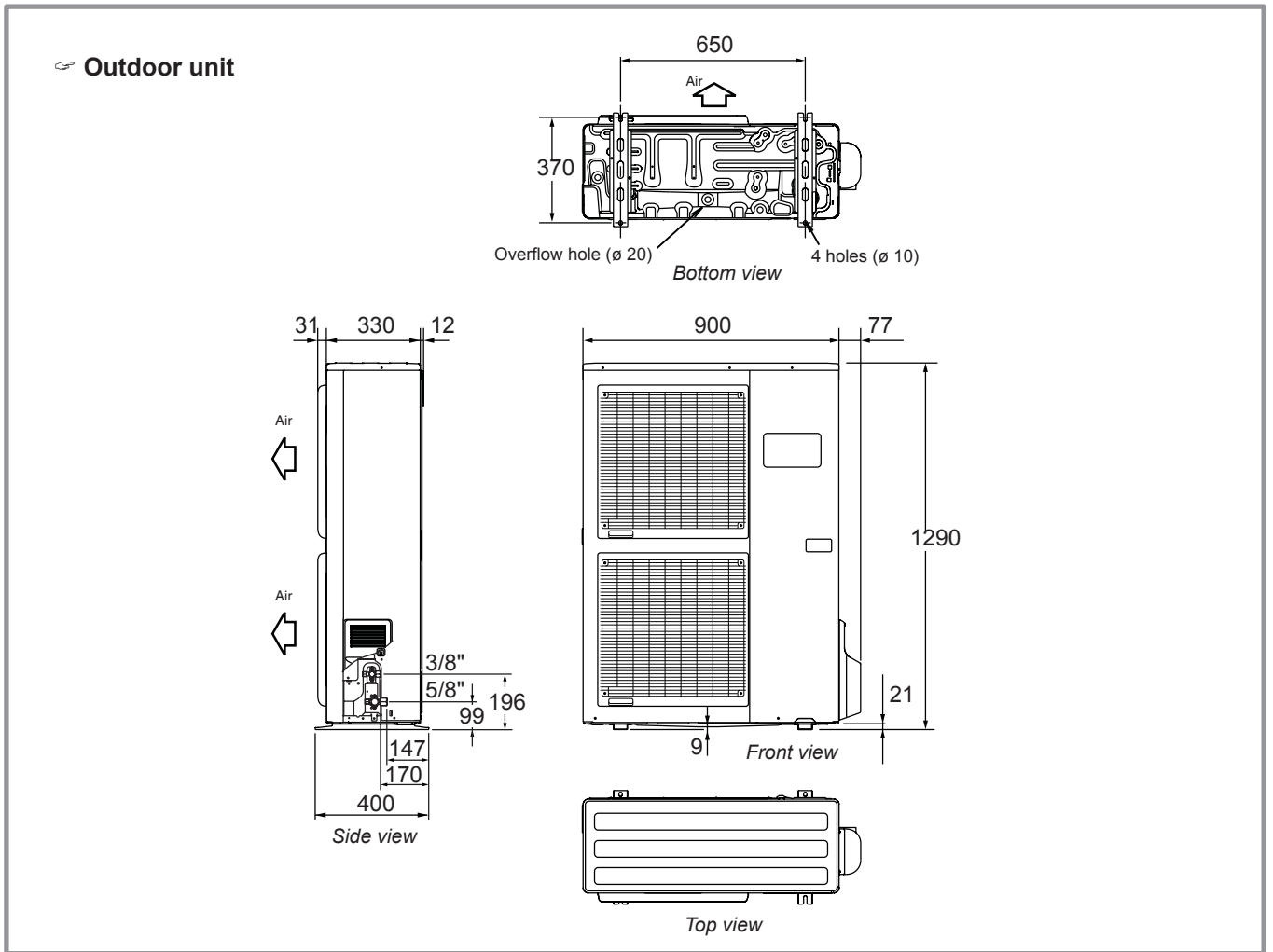


figure 2 - Dimensions in mm

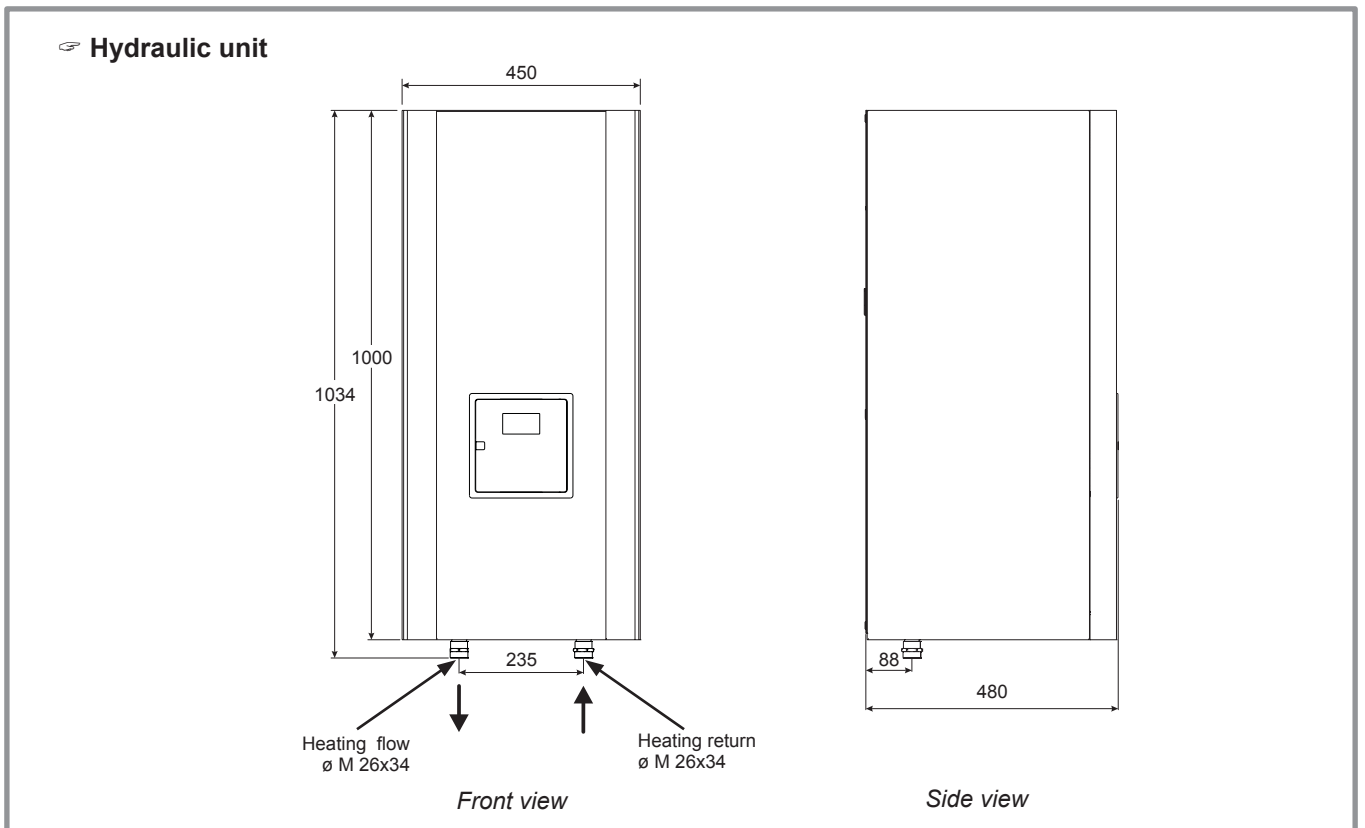


figure 3 - Dimensions in mm

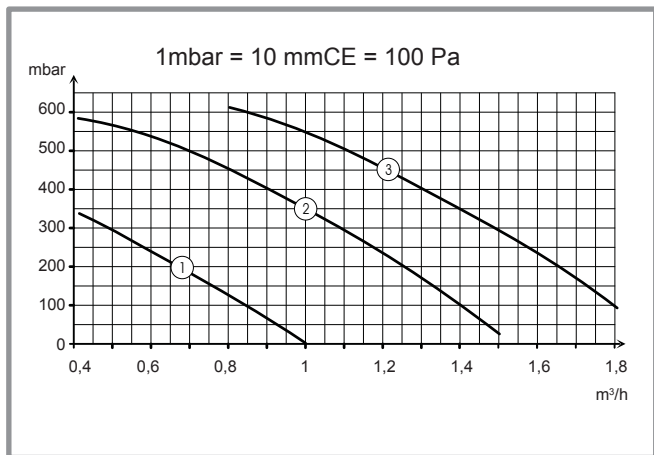


figure 4 - Hydraulic pressures and flow rates available

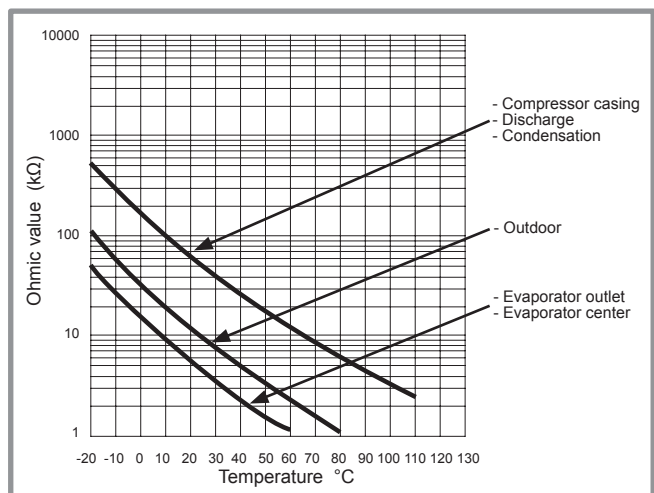


figure 6 - Ohmic values of the sensors (outdoor unit)

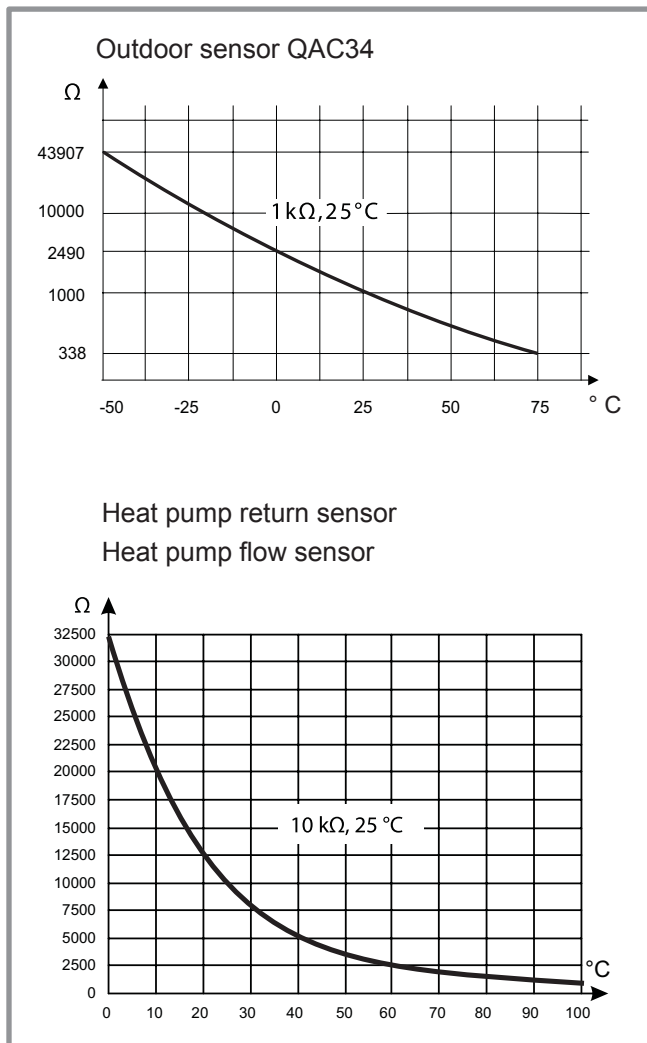
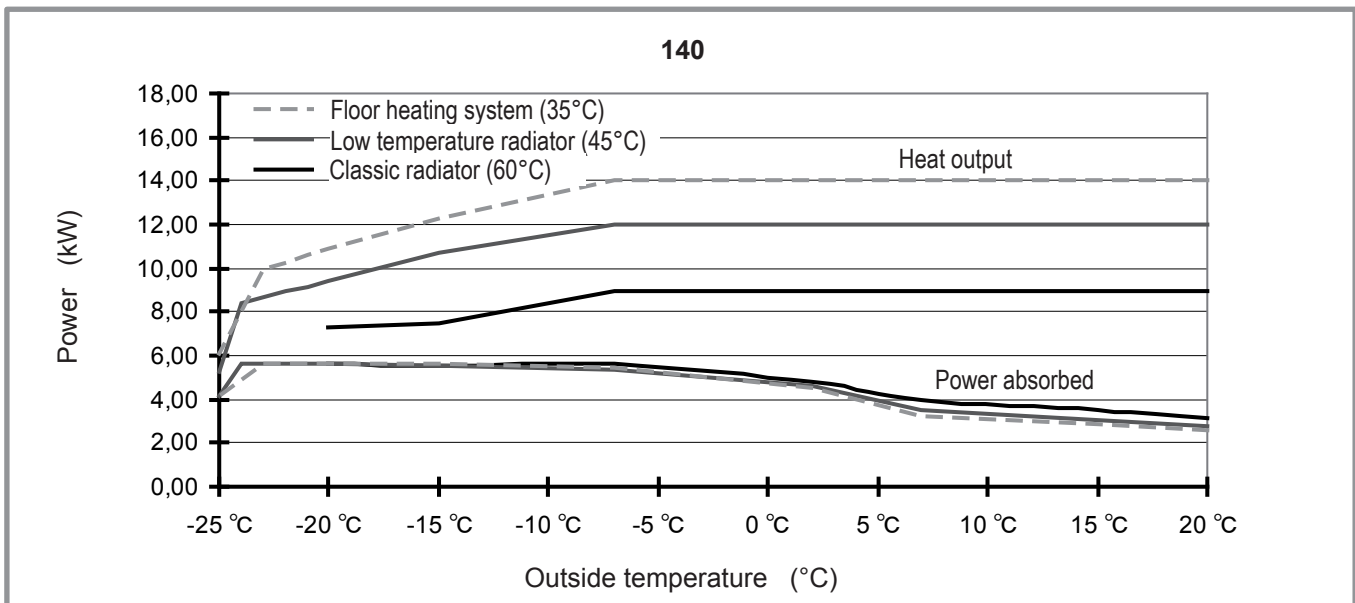
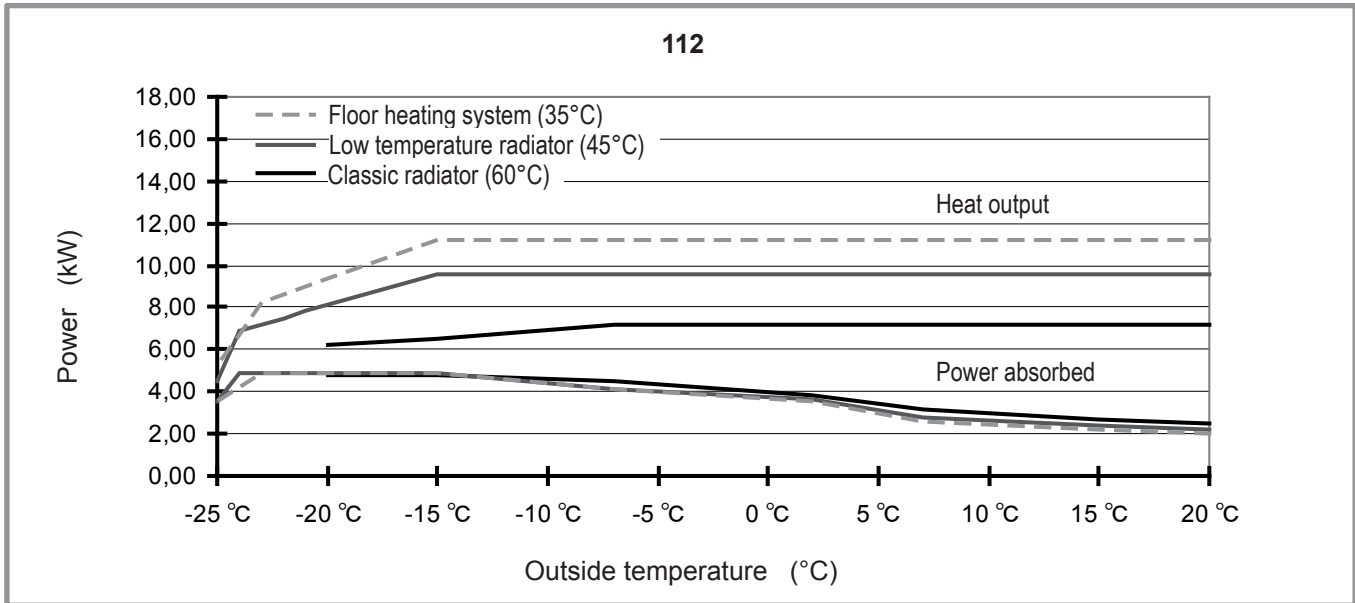


figure 5 - Ohmic values of the sensors (hydraulic unit)

1.4 Heating power curve

Values according to standard EN 14511, for which it is necessary to add the power absorbed by the heating circulation pump.



Note :

The values of heating capacity/power input/COP are based on measurement of EN14511 standard.

Usage environment, such as operation of the heating equipment, room temperature, and controller adjustments, may cause disparities between practically determined and these values.

1.5 Description

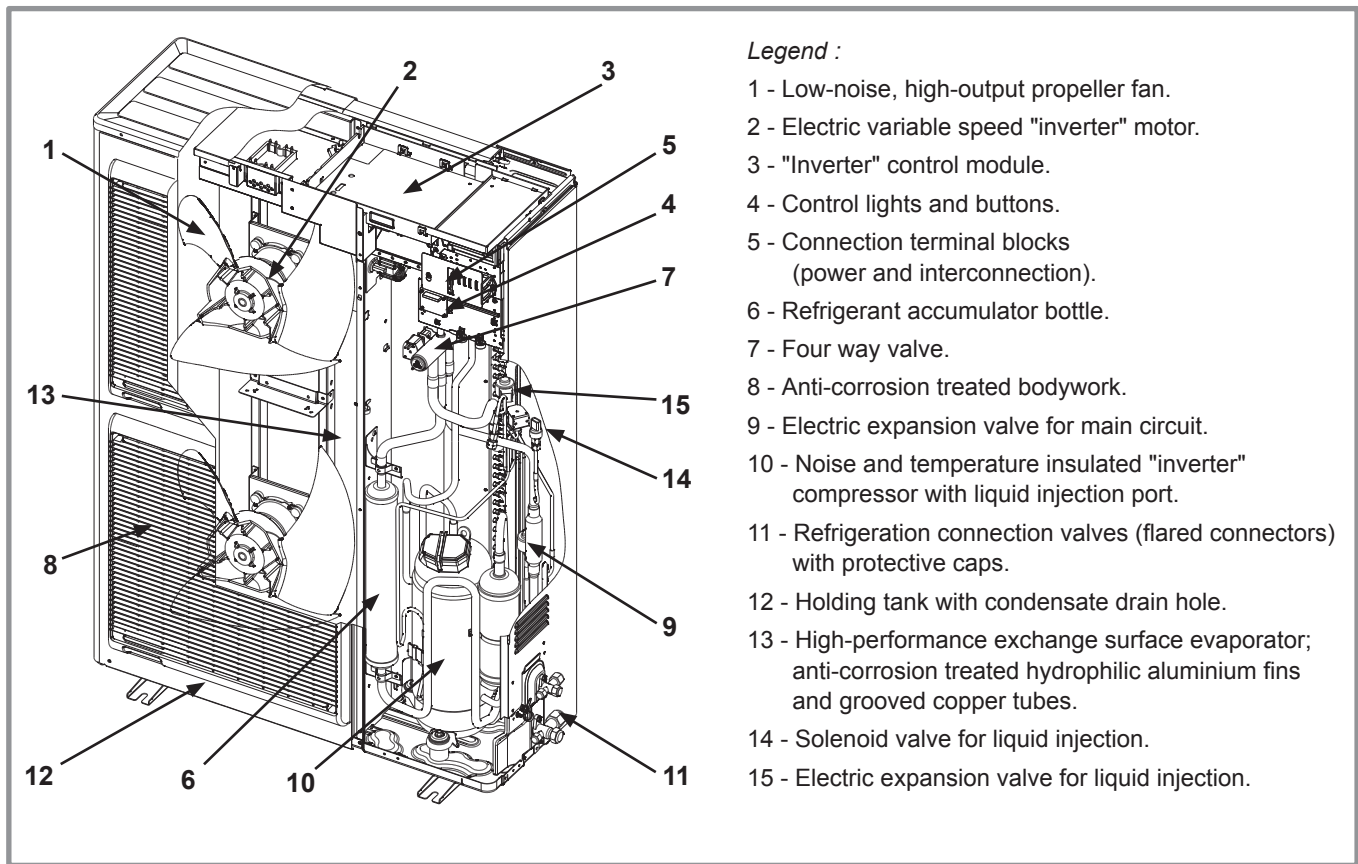


figure 7 - Outdoor unit components

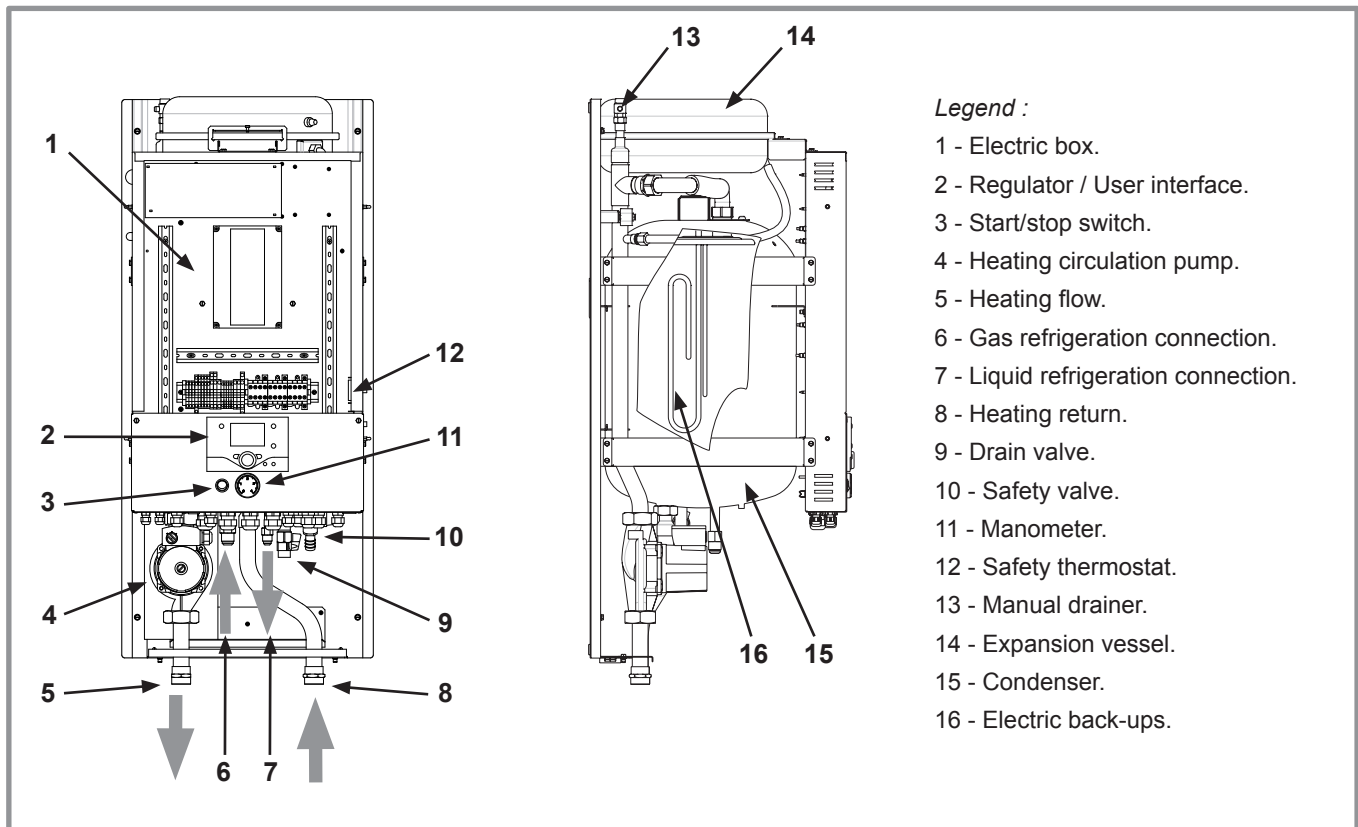


figure 8 - Hydraulic unit components

1.6 Operating principle

The heat pump transmits the energy contained in the surrounding air into the dwelling to be heated.

The heat pump consists of four main elements, in which a refrigerant (R410A) circulates.

- In the evaporator (rep. **13**, [figure 7, page 10](#)) :
The energy is taken from the surrounding air and is transmitted to the refrigerant. Because it has a low boiling point, it changes from the liquid state to the vapour state, even in cold weather (down to -20 °C outdoor temperature).
- In the compressor (rep. **10**, [figure 7, page 10](#)) :
The vaporised refrigerant brought to high pressure and takes on more calories.
- In the condenser (rep. **15**, [figure 8, page 10](#)) :
The energy in the refrigerant is transmitted to the heating circuit. The refrigerant returns to liquid state.
- In the expansion valve (rep. **9**, [figure 7, page 10](#)) :
The liquefied refrigerant is brought back to low pressure and returns to its initial temperature and pressure.

The heat pump is equipped with a controller, which controls the room temperature based on the outdoor temperature measurement and governed by the temperature control.

The room thermostat (option) provides a corrective action for the temperature control.

The hydraulic unit is equipped with an electric back-ups system, which is triggered to provide additional heat during the coldest periods.

• Regulation functions

- The heating circuit's initial temperature is controlled by the temperature control.
- The power of the outdoor unit is modulated according to initial heating temperature via the "inverter" compressor.
- Possibility to set the setpoint of maximum heating initial temperature according to heat emitters (see [para 4.1.4, page 45](#)).
- Control of the electric back-up heating.
- The daily timer program enables you to define the periods for comfortable or reduced ambient temperature.
- Summer/winter mode switchover is automatic.
- Control of the supplementary boiler* (the electric back-ups are deactivated).
- The room thermostat* (option) provides a corrective action for the temperature control
- Control of a second heating circuit*.
- Domestic hot water : Heating time programme, control of the operation of the DHW circulation pump*.
- Control of swimming pool heating*.
- Managing the cooling*.

• Protection functions

- Anti-legionella cycle for domestic hot water.

* If the heat pump is equipped with optional equipment and the associated kits.

• Domestic hot water (DHW) operating principle

Two domestic hot water (DHW) temperatures can be parametered: comfort temperature (line 1610 to 50 °C) and reduced temperature (line 1612 to 25 °C).

The default heat pump program (line 560, 561 and 562) is set for comfort temperature from 0.00 to 5.00h and for reduced temperature for the rest of the day.

This optimises electrical consumption while ensuring comfortable availability of hot water.

Setting for reduced temperature can be useful to prevent the DHW from switching on too often and for too long during the day.

The production of domestic hot water (DHW) is triggered when the temperature in the tank falls 7°C (setting from line 5024) below the set temperature.

The heat pump produces the domestic hot water, which is then supplemented, if required, by electrical backup heating from the tank.

To ensure a DHW setting over 45°C, the electrical backup heating or the boiler must be left on.

Depending on how the parameter (1620) is set, comfort temperature can be reached 24h/day or only at night or depending on the heat pump programme.

If the contract concluded with the energy provider includes a subscription to day/night tariff, the electrical backup is subordinate to the supplier's power tariff and the comfort temperature may only be reached at night.

If no particular contract is concluded, the comfort temperature can be reached at any time, including during the day

The production of DHW takes priority over heating; nevertheless the production of DHW is controlled by cycles that control the times assigned to the heating and the production of DHW in the event of simultaneous demand.

A function to switch from "reduced" to "comfort" is provided on the front of the user interface (see ref. 1, [figure 36, page 29](#)).

If the heating installation is equipped with a DHW circulation pump, the pump's operation during DHW cycles can be parametered.

Anti-legionella cycles can be programmed.

• Fan convectors with integrated control system

Do not use a room sensor in the area.

2 Installation

2.1 Regulation installation and maintenance conditions

The appliance must be installed and the maintained by an approved professional in accordance with the prevailing regulations and code of practice, in particular:

The legislation on the handling of refrigerants.

2.2 Unpacking and reservations

2.2.1 Receipt

Carefully check, in the carrier's presence, the general appearance of the appliances and check that the outdoor unit is not laid on its side or back.

In the case of any dispute, state any appropriate reservations to the carrier in writing within 48 hours and send a copy of this letter to the After-Sales service.

2.2.2 Handling

The outdoor unit should not be laid on its side or back during transport.

Laying the unit down during transport is likely to damage the internal tubes and the compressor suspensions.

Any damage caused by transportation of the unit lying down is not covered by the warranty.

If necessary the outdoor unit may be tilted only during manual handling (to go through a door or use a staircase).

This operation must be conducted very carefully and the appliance must be immediately restored to upright position.

2.2.3 Accessories provided

- Accessories provided with the outdoor unit (figure 9).
- Accessories provided with the hydraulic unit (figure 10).

2.3 Installation position

The choice of the position for installation is particularly important insofar as any later movement is a delicate operation requiring the intervention of a qualified person.

Choose the site of the outdoor unit and the hydraulic unit after discussion with the customer.

Observe the maximum and minimum distances between the hydraulic unit and the outdoor unit (figure 17, page 16); the guarantee of the performances and the system's service life depend on this.

2.4 Installation of the outdoor unit

2.4.1 Installation precautions

- ☞ **The outdoor unit must only be installed outside (outdoors). If a shelter is required, it must have broad openings on the 4 walls and observe the installation clearances (figure 11).**
- Choose a site that is preferably sunny and sheltered from strong cold predominant winds (mistral, tramontana, etc...).
- The unit must be easily accessible for future installation and maintenance work.
- Ensure that it is possible to make the connections to the hydraulic unit easily.
- The outdoor unit is able to withstand bad weather but avoid installing in a position where it is likely to be exposed to significant dirt or flowing water (under a defective gutter for example).

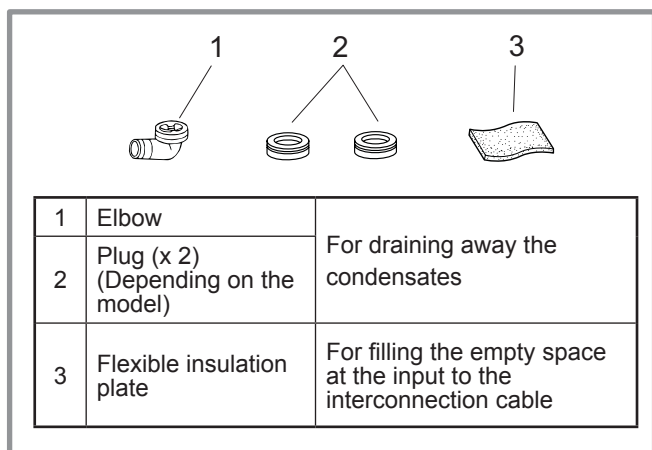


figure 9 - Accessories provided with the outdoor unit

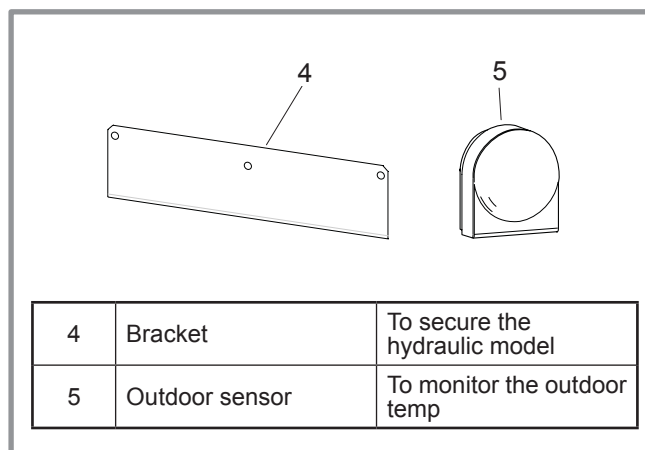


figure 10 - Accessories provided with the hydraulic unit

- Water may drain away from the outdoor unit when it is operating. Do not install the appliance on a paved terrace ; choose a well-drained place (e.g. gravel or sand). If the installation is in an area where the temperature can be lower than 0°C for a long period, check that the presence of ice does not present any danger. A drainage pipe can also be connected to the outdoor unit (see [figure 12, page 14](#)).
- Nothing should obstruct the air circulation through the evaporator and from the fan.
- Keep the outdoor unit away from heat sources and inflammable products.
- Make sure the appliance not disturb the surrounding area or users (noise level, draught generated, low temperature of the air being blown out, with the risk of freezing plants in its path).
- The surface supporting the outdoor unit should :
 - be permeable (soil, gravel, etc),
 - support its weight easily,
 - provide a solid fixing and
 - not transmit any vibration to the dwelling. Anti-vibratory blocks are available, please consult your retailer.
- The wall brackets is strongly discouraged due to vibration.

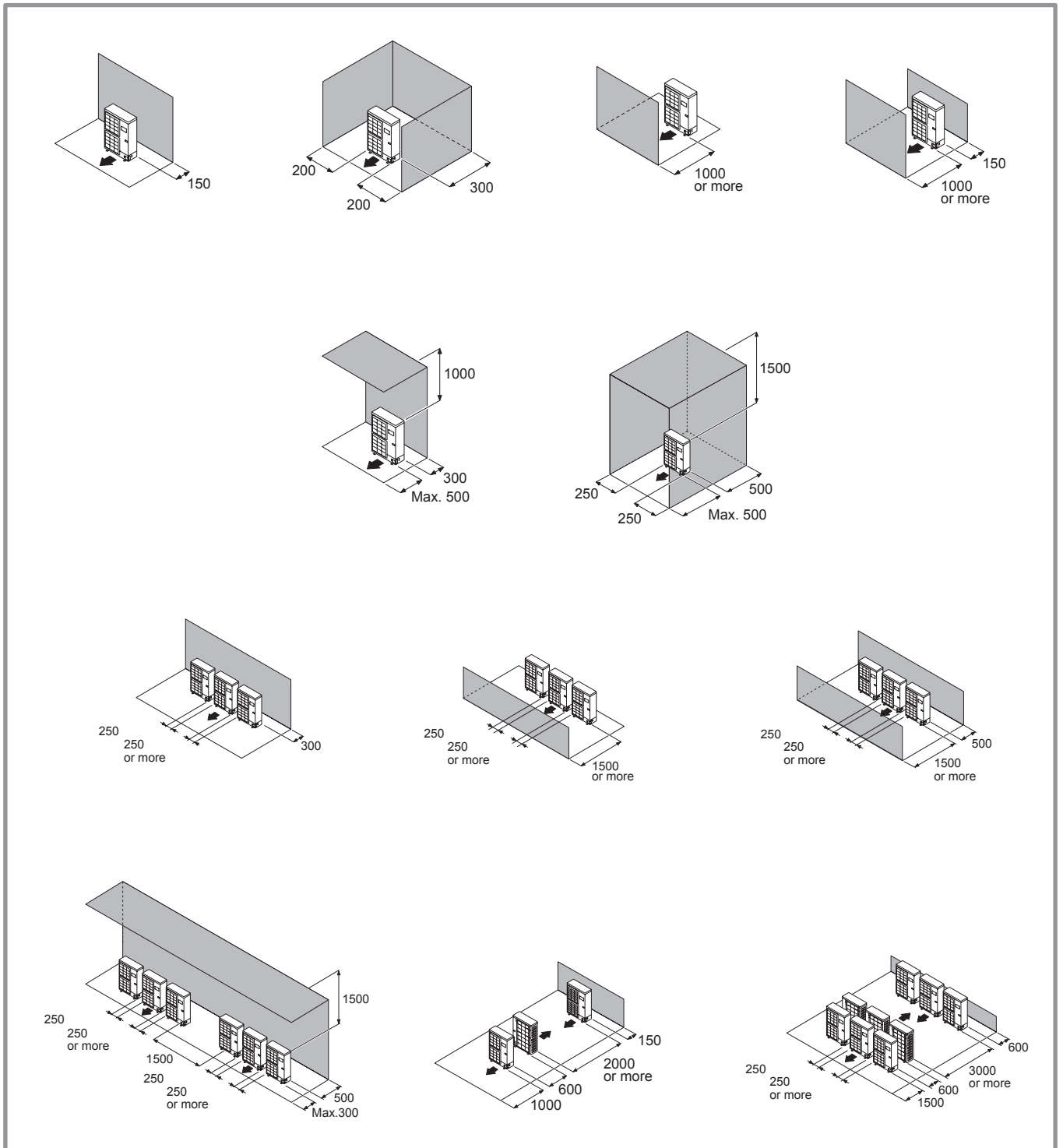


figure 11 - Minimum installation clearances around outdoor unit

2.4.2 Outdoor unit positioning

The outdoor unit must be raised at least 50 mm above ground level. In areas prone to snow, this height should be increased but should not exceed 1,5 m (figure 12).

- Fasten the outdoor unit by means of screws and rubber tightening or toothed lock washers to avoid their coming loose.

⚠ Caution

In the area with heavy snowfall, if the intake and outlet of **outdoor unit is blocked with snow, it might become difficult** to get warm and it is likely to cause of the breakdown.

Please construct a canopy and a pedestral or place the unit **on high stand (local configured)**.

- Set the unit on a strong stand, such as one made of concrete blocks to minimize shock and vibration.
- Do not set the unit directly on the ground because it will cause trouble.

2.4.3 Condensate drain hose

(see figure 12).

If the use of a discharge pipe is imperative :

- Use the elbow provided (C) to connect a 16 mm diameter hose for draining away the condensate.
- Use the stopper or stoppers provided (B) to block the opening of the condensate tank.

Allow for the condensate to flow away under the force of gravity (waste water, rain water, gravel bed).

- ⚠ **If the installation is made in an area where the temperature can be lower than 0°C for a long period, provide the drain pipe with a trace resistance to avoid it icing up. The trace resistance must heat not only the pipe but also the bottom of the appliance's condensate collection tank.**

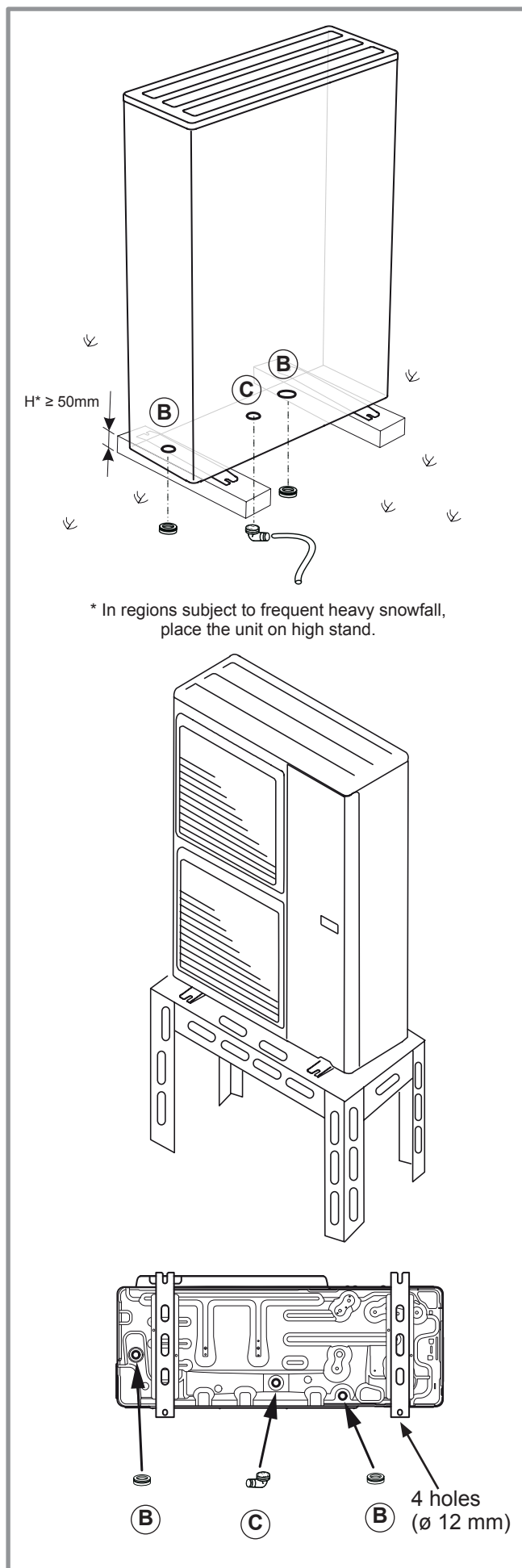


figure 12 - Positioning of the outdoor unit, draining away the condensate

2.5 Installing the hydraulic unit

2.5.1 Installation precautions

- The room in which the appliance operates must comply with the prevailing regulations.
- To facilitate maintenance and to allow access to the various components, we recommend that you provide sufficient space all around the hydraulic unit (figure 13).
- Be careful not to bring inflammable gas near to the heat pump during its installation, in particular when it requires brazing. The appliances are not fireproof and should not therefore be installed in a potentially explosive atmosphere.

2.5.2 Positioning the hydraulic unit

- Remove the front panel (2 screws **A**, figure 14).
- Remove the sides (4 screws **B**, figure 15).
- Fix the support solidly (3 screws and plugs) to a flat, hard-wearing wall (not a light partition) ensuring that it is correctly levelled.
- Hook the appliance onto its support.
- Refit the sides.
- Refit the front panel.

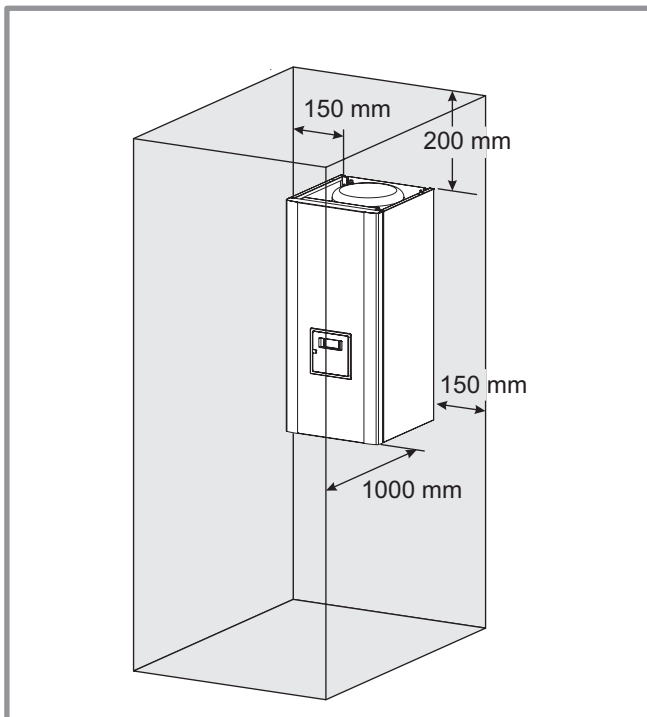


figure 13 - Minimum installation clearances around the hydraulic unit and distances to the combustible partitions

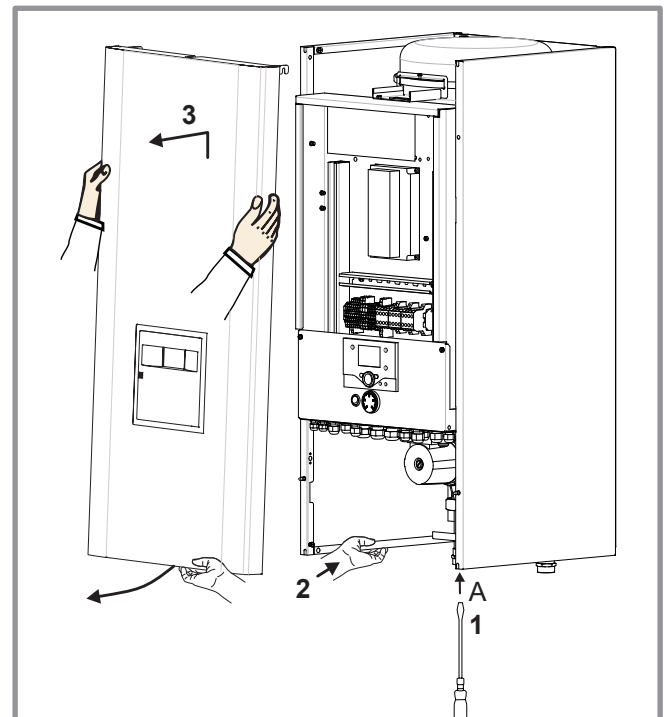


figure 14 - Removing the front panel

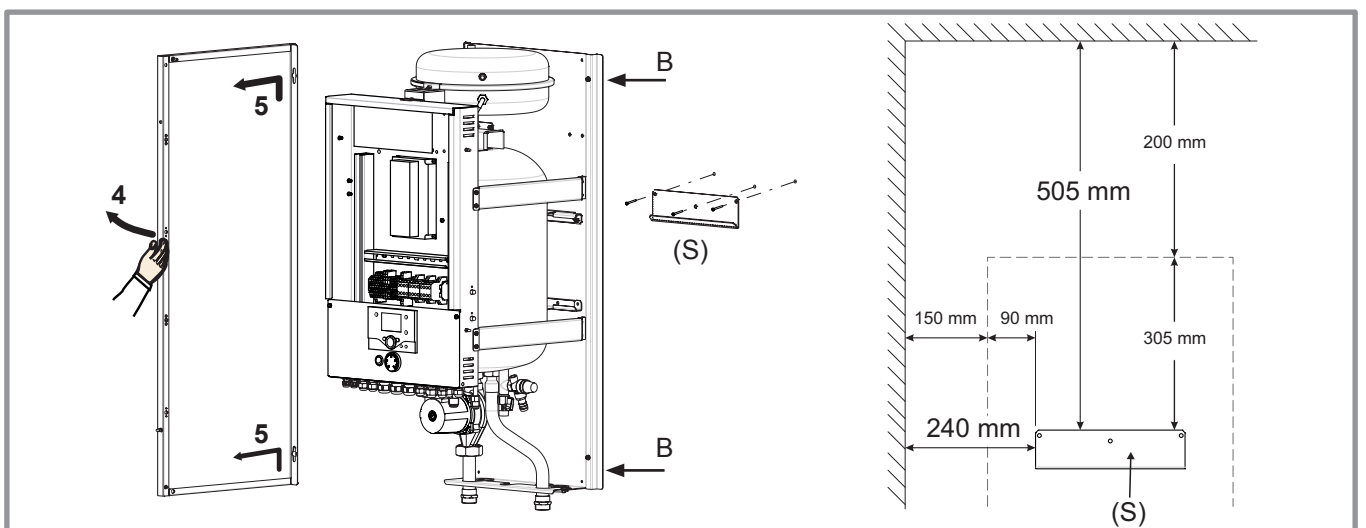


figure 15 - Removing the sides and fixing the support

2.6 Refrigeration connections

☞ **This appliance uses refrigerant R410A.**

Comply with the legislation for handling refrigerants.

2.6.1 Rules and precautions

- After every intervention on the refrigeration circuit and before final connection, take care to replace the plugs in order to avoid any pollution from the refrigeration circuit.

• Tools

- Set of manometers with hoses exclusively reserved for HFCs (Hydrofluorocarbons).
- Vacuum pump specially for HFCs.
- Provision on using tools that have been in contact with HCFCs (R22 for example) or CFCs.
- Use of a traditional vacuum pump is authorized if, and only if, it is fitted with a non-return valve on the suction side.

The manufacturer declines any liability with regard to the guarantee if the above instructions are not observed.

• Flared connections

☞ **Lubrication with mineral oil (for R12, R22) is forbidden.**

- Only lubricate with polyolester refrigeration oil (POE). If POE is not available, fit without lubrication.

• Brazing on the refrigeration circuit (if necessary)

- Silver brazing (40% minimum recommended).
- Brazing only under dry nitrogen internal flux.

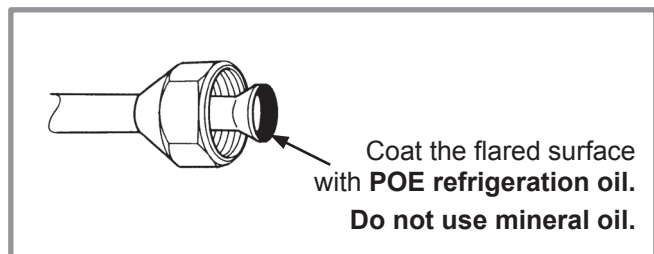


figure 16 - Prevention of gas leaks

- To eliminate any filings in the pipes, use dry nitrogen to avoid introducing any humidity that may adversely affect the appliances operation. In general, take every precaution to avoid humidity penetrating into the appliance.
- Proceed to insulate the gas and liquid pipes to avoid any condensation. Use insulating sleeves resistant to temperatures over 120°C. In addition if the humidity level in the areas where the refrigeration pipes pass risks exceeding 70%, protect the pipes with insulating sleeves. Use a sleeve thicker than 15mm if the humidity reaches 70~80%, and a sleeve thicker than 20 mm if the humidity exceeds 80%. If the recommended thicknesses are not observed under the conditions described above, condensation will form on the surface of the insulation material. Lastly, take care to use insulating sleeves whose thermal conductivity is 0.045 W/mK or less when the temperature is 20°C. The insulation must be impermeable to resist the passage of steam during the defrosting cycles (fibreglass wool is prohibited).

2.6.2 Refrigeration connections

The outdoor unit must be connected to the hydraulic unit with copper pipes and connections (refrigeration quality), insulated separately.

Comply with the pipe diameters and the permitted pipe lengths (figure 17).

The minimum length of the refrigeration connections is 5 m for correct operation.

The appliance will be excluded from guarantee if it is used with refrigeration connections less than 5 m long.

Manipulate the pipes and take them through walls with protective plugs in place.

If the distance between the outdoor unit and the hydraulic unit exceeds the length of the maximum conduits indicated in the table, an additional charge of R410A must be loaded.

The quantity of R410A added must be adapted to the length of the refrigeration circuit in order to the heat pump's performance without damaging the compressor (See para. "Additional charge", page 20).

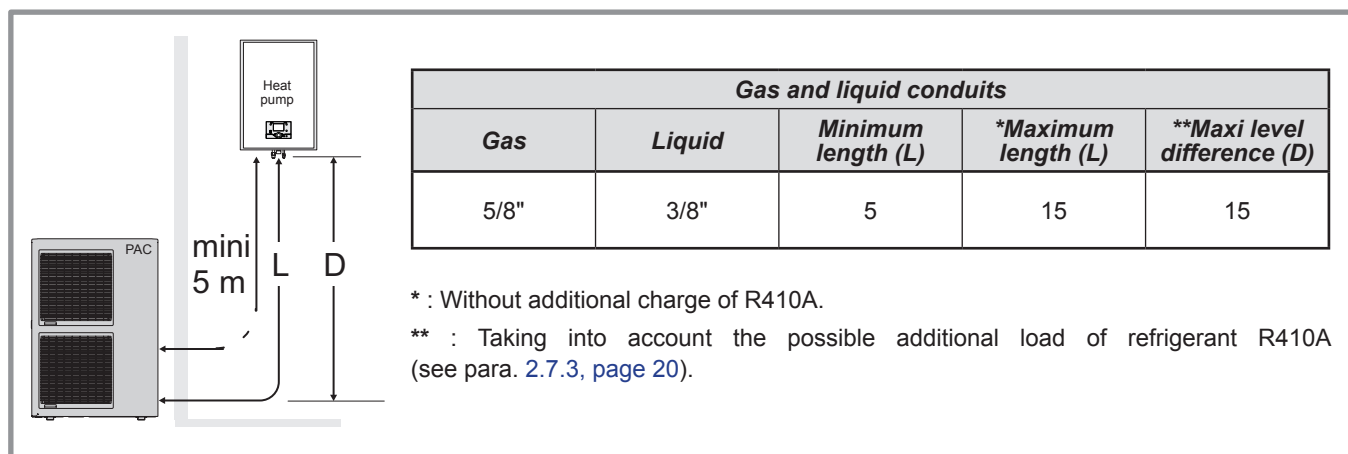


figure 17 - Pipe diameters (in inches) and permissible lengths (in meters)

2.6.3 Creating the flarings

- Cut the pipe to an appropriate length with a pipe-cutter without deforming it.
- Carefully deburr it, holding the pipe towards the bottom to avoid introducing filings into the pipe.
- Remove the flared connection nut situated on the valve to be connected and slip the pipe into the nut.
- Proceed to flare, letting the pipe overflow the flaring tool.
- After flaring, check the condition of the working radius (**L**). This must not show any scratch or trace of any fracturing. Also check the dimension (**B**).

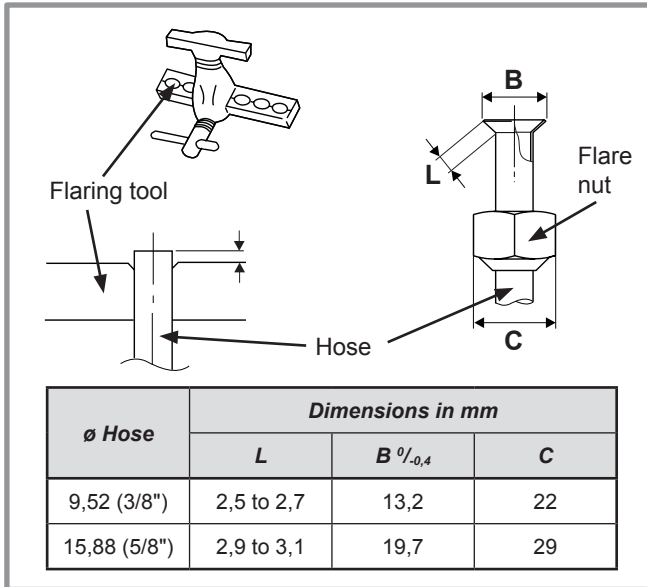


figure 18 - Flaring for flare connections

2.6.4 Shaping the refrigeration pipes

The refrigeration pipes must be shaped only on a bending machine or with a bending spring in order to avoid any risk of crushing or breaking them.

⚠ **Warning**

- Remove the insulation material locally to bend the pipes.
- Do not bend the copper to any angle over 90°.
- Never bend pipes more than 3 times in the same position otherwise traces of fracturing may appear (from strain-hardening the metal).

2.6.5 Connecting the flared connections

- ⚠ **The small pipe must always be connected before the large one.**
- ⚠ **Take particular care positioning the tube opposite its connector so as not to risk damaging the threads. A carefully aligned connector can be fitted easily by hand without much force being required.**
- ⚠ **The refrigeration circuit is very sensitive to dust and humidity : check that the area around the connection is clean and dry before removing the plugs protecting the refrigeration connectors.**

- Remove the plugs from the pipes and the refrigeration connections.
- Present the pipe to the flared connector and screw the nut by hand while holding the connector with a wrench until contact.
- Comply with the recommended tightening torques.

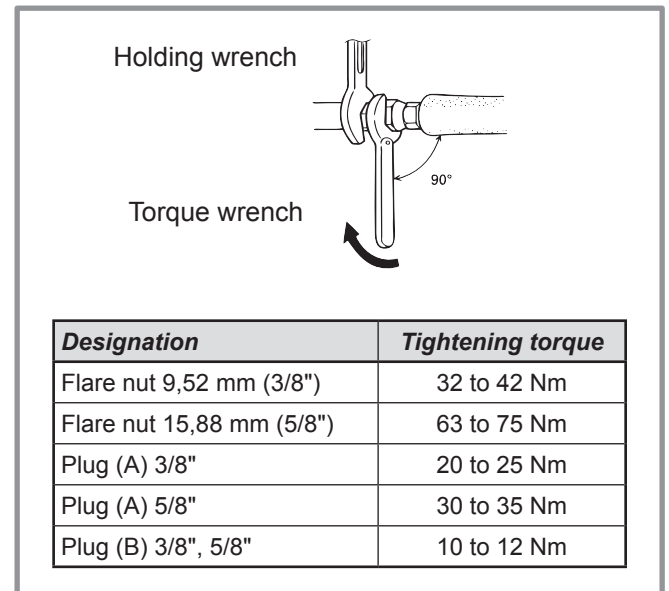


figure 19 - Tightening torque

	Outdoor unit connections	Diameter of refrigeration connections	Hydraulic unit connections
Gas	5/8"	(D1) 5/8"	5/8"
Liquid	3/8"	(D2) 3/8"	3/8"

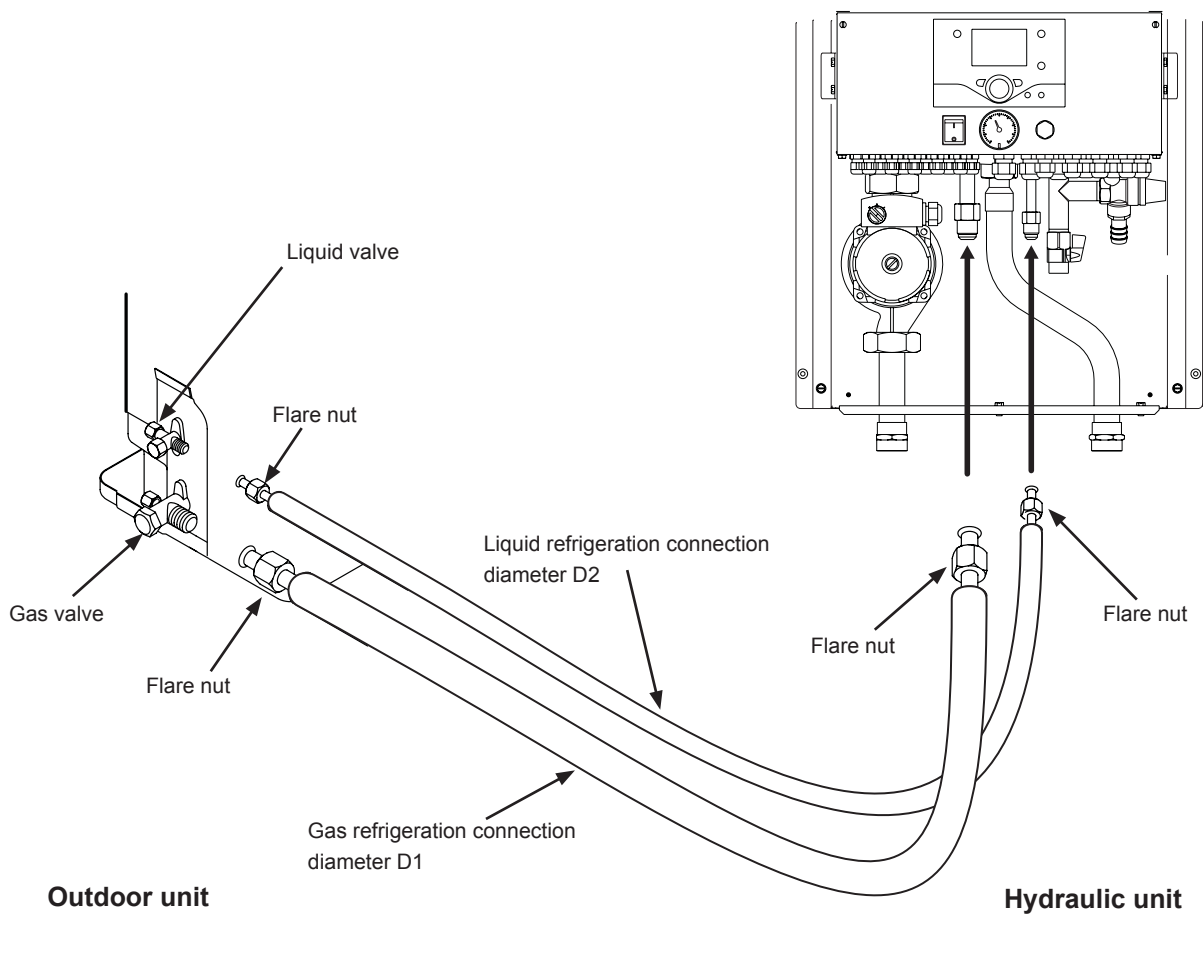


figure 20 - Connecting the flared connections

2.7 Filling the installation with gas

- ☞ **This operation is reserved for installers familiar with the legislation for handling refrigerants.**
- ☞ **Creating a vacuum with a vacuum pump is essential.**
- ☞ **Never use equipment used beforehand with any refrigerant other than a HFC.**

2.7.1 Creating a vacuum and filling the refrigeration connections with gas

(see figure 21).

- Remove the protective plugs (**B**) from the charging hole (Schrader) in the gas valve (large diameter).
- Connect the blue hose (on the side with a valve pusher in good condition) from the set of manometers (manifold).
- Connect the yellow hose to a vacuum pump and open the blue valve on the set of manometers.
- Create a vacuum until the residual pressure in the circuit falls below 0,01 bar.
- Let the pump continue to operate for another 15 minutes after reaching the vacuum.
- Close the blue valve on the set of manometers and then stop the vacuum pump **without disconnecting any of the hoses in place.**
- Wait 10 minutes. If the pressure rises during this 10-minute period, there is a leak in the circuit. Trace it and repair it : then start again.

When the pressure has remained stable for 10 minutes after the vacuum pump stops, the circuit is considered to be gas-tight.

- Remove the access plugs (**A**) from the valve controls.
- ☞ **If an additional charge is requires, add the additional charge before filling the hydraulic unit with gas. Please refer to the section ("Additional charge", page 20).**
- First of all fully open the small valve and then the large one using a hex key (counterclockwise direction) without forcing excessively against the stop.
- Remove the blue hose rapidly.

- Refit the 2 plugs and tighten them to the recommended tightening torque (see figure 19, page 17).

The outdoor unit does not contain any additional refrigerant, enabling the installation to be purged.

Flushing is strictly forbidden.

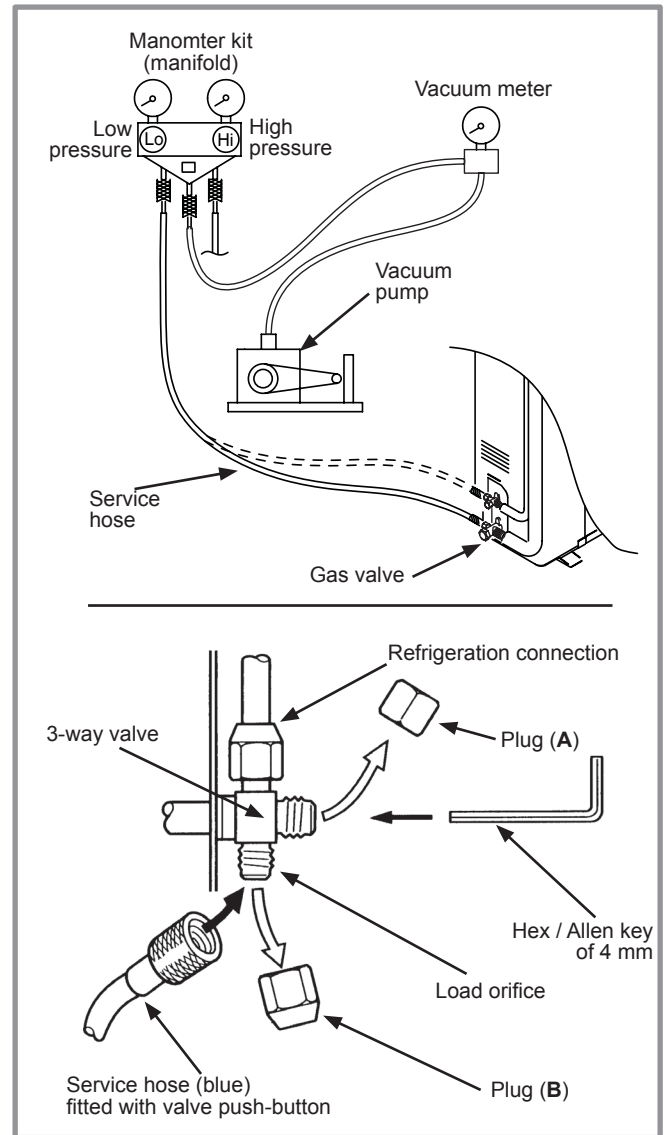


figure 21 - Extraction under vacuum and gassing

2.7.2 Sealing test

Once the refrigeration circuit has been gassed as described above, check that all the refrigeration connectors are gas-tight.

The sealing test must be performed with an approved gas detector. If the flarings have been made correctly, there should be no leaks.

- ☞ **If there is a leak, make the connection again.**

2.7.3 Additional charge

	50 g of R410A per additional meter	
Length of the connections	15 m	20 m
Additional charge	none	250 g

The charge in the outdoor units corresponds to the maximum distances between the outdoor unit and the hydraulic unit defined in figure 17. If the distances are greater, an additional charge of R410A is required. The additional charge depends on the distance between the outdoor unit and the hydraulic unit for each type of appliance. The additional charge of R410A must necessarily be made by an approved refrigeration engineer.

• Example for a heat pump model 160

An outdoor unit 17 m away from the hydraulic unit will require an additional charge of :

Additional charge = (17 - 15) x 50 = 100 g.

The charge must be introduced after creating the vacuum and before the hydraulic unit is filled with gas, as follows :

- Disconnect the vacuum pump (yellow hose) and connect a bottle of R410A instead **in the liquid extraction position**.
- Open the bottle's valve.
- Bleed the yellow hose by loosening it slightly on the manifold side.
- Place the bottle on scales with a minimum accuracy of 10 g. Note the weight.
- Carefully open the blue valve slightly and check the value shown on the scales.
- As soon as the value displayed has dropped by the value for the calculated additional charge, close the bottle and disconnect it.
- Then rapidly disconnect the hose connected to the appliance.
- Proceed to fill the hydraulic unit with gas.

⚠ Warning

- Only use R410A !
- Only use tools suitable for R410A (set of manometers).
- Always charge in the liquid phase.
- Never exceed the length or the maximum difference in level.

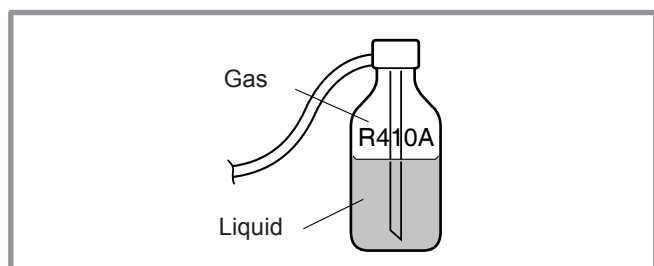


figure 22 - Gas bottle R410A

2.7.4 Pump down operation (Refrigerant collecting operation)

• Preparation for pump down

Confirm that the power (ref.3, figure 8, page 10) is off, and then open the service panel.

• Pump down procedure

- **1-** Check the 3-way valves (both at the liquid side and gas side) are opened.
- **2-** Turn the power on.

POWER	ERROR	PUMP DOWN (L1)	LOW NOISE		PEAK CUT		
			(L2)	(L3)	(L4)	(L5)	(L6)
●	○	○	○	○	○	○	○

- **3-** Press [PUMP DOWN] switch for 3 seconds or more after 3 minutes after power on.

POWER	ERROR	PUMP DOWN (L1)	LOW NOISE		PEAK CUT		
			(L2)	(L3)	(L4)	(L5)	(L6)
●	○	●	○	○	●	●	●

LED display lights up as shown in the above figure, and the fans and the compressor start operating. If the [PUMP DOWN] switch is pressed while the compressor is operating, the compressor will stop, then start again in about 3 minutes.

- **4-** LED display will change as shown below about 3 minutes after the compressor starts. Fully close the 3-way valve on the liquid pipe side at this stage.

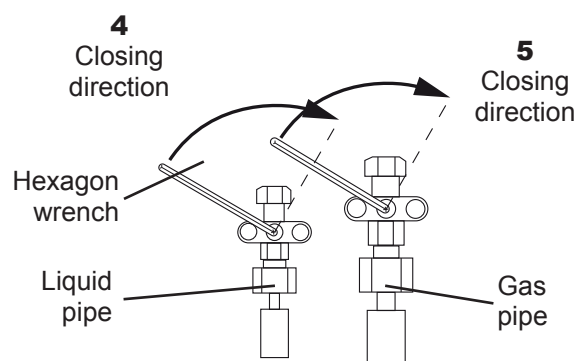
POWER	ERROR	PUMP DOWN (L1)	LOW NOISE		PEAK CUT		
			(L2)	(L3)	(L4)	(L5)	(L6)
●	○	●	○	○	○	●	●

If the valve on the liquid pipe side is not closed, the pump down cannot be performed.

- **5-** When LED display changes as shown in the below figure, close the 3-way valve on the gas pipe side tightly.

POWER	ERROR	PUMP DOWN (L1)	LOW NOISE		PEAK CUT		
			(L2)	(L3)	(L4)	(L5)	(L6)
●	○	●	○	○	○	○	●

If the valve on the gas pipe side is not closed, refrigerant may flow into the piping after the compressor stops.



- **6-** LED display changes after 1 minute as shown in the figure below.

POWER	ERROR	PUMP DOWN (L1)	LOW NOISE		PEAK CUT		
			(L2)	(L3)	(L4)	(L5)	(L6)
●	○	●	○	○	○	○	○

Fans and compressor stop automatically.

If the pump down is successfully completed (the above LED display is shown), the outdoor unit remains stopped until the power is turned off.

- **7**- Turn the power off.

POWER	ERROR	PUMP DOWN (L1)	LOW NOISE		PEAK CUT		
MODE			(L2)	(L3)	(L4)	(L5)	(L6)
○	○	○	○	○	○	○	○

Note :

- To stop pump down, press the [PUMP DOWN] switch again.
- To start the pump down again after the compressor is automatically stopped due to an error, turn the power off and open the 3-way valves. Wait 3 minutes, turn the power on and start the pump down again.
- When starting the operation after completion of the pump down, turn the power off, and then open the 3-way valves.

2.8 Connecting the heating circuit hydraulically

2.8.1 General

The connection must comply with good trade practice according to local building regulations.

The heating circulating pump is built into the hydraulic unit. Connect the central heating pipes to the hydraulic unit, complying with the direction of circulation.

The diameter of the pipes between the hydraulic unit and the heating collector must be at least 1 inch (26x34mm).

Calculate the diameter of the pipes according to the flow rates and the lengths of the hydraulic systems.

Tightening torque : 15 to 35 N.m

Use union connectors to facilitate removing the hydraulic unit. Preferentially use connection hoses to avoid transmitting noise and vibrations to the building.

Connect the drains from the drain valve and the safety valve to the main sewer system.

Reminder: Seal everything when fitting in accordance with prevailing trade practice for plumbing work :

- Use suitable seals (fibre seals, o-rings).
- Use Teflon tape or hemp.
- Use sealing paste (synthetic depending on the case).

The use of glycol is not necessary. If you are using a glycol/water mix, provide for an annual check on the quantity of glycol.

In certain installations, the presence of different metals can cause corrosion problems ; the formation of metal particles and sludge in the hydraulic circuit is then seen.

In this case, it is advisable to use a corrosion inhibitor in the proportions indicated by its manufacturer.

It is also necessary to ensure that the treated water does not become aggressive.

2.8.2 Rinsing out the installation

Before connecting the hydraulic unit to the installation, rinse out the heating system correctly to eliminate any particles that may affect the appliance's correct operation.

Do not use solvents or aromatic hydrocarbons (petrol, paraffin, etc.).

In the case of an old installation, provide a sufficiently large decanting pot with a drain on the return from the boiler and at the lowest point in the system in order to collect and remove the impurities.

Add an alkaline product to the water and a dispersant.

Rinse the installation several times before filling it definitively.

2.8.3 Filling and purging the installation

Check the pipe fixings, the tightness of the connectors and the stability of the hydraulic unit.

Check the direction in which the water is circulating and that all the valves open.

Proceed to fill the installation.

Do not operate the circulating pump while filling. Open all the drain valves in the installation and the bleeder valve for the hydraulic unit to remove the air contained in the conduits.

Close the drain and bleeder valves and add water until the pressure in the hydraulic circuit reaches 1,5 bar.

Check that the hydraulic circuit has been purged correctly.

Check that there are no leaks and that the circulating pumps are not seized (if need be, release them).

After the "Start-up" stage (see [page 28](#)), once the machine has started, purge the hydraulic unit again (2 liters of water).

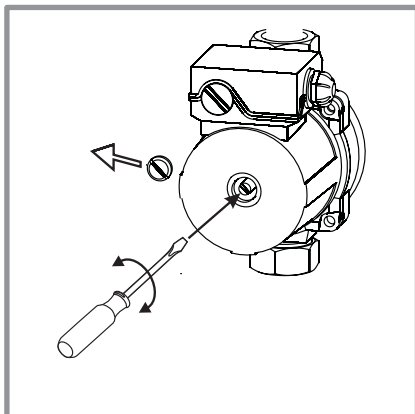


figure 23 - Release of the circulation pump

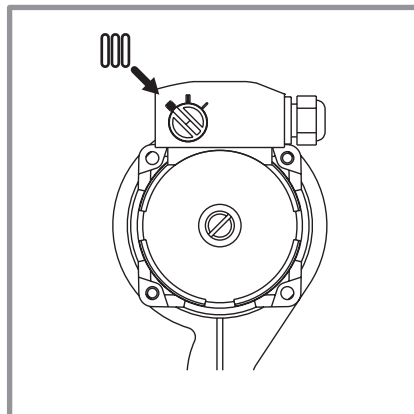


figure 24 - Recommended circulation speed (for radiator)

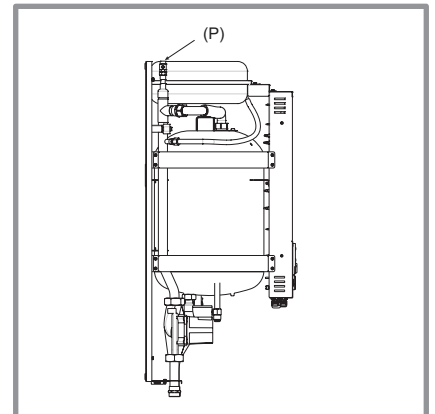


figure 25 - Hydraulic unit bleeder valve

2.9 Electrical connections

Ensure that the general electrical power supply has been cut off before starting any repair work.

2.9.1 Characteristic of the electrical supply

The electrical installation must be conducted in accordance with the prevailing regulations.

The electrical connections must only be made when all the other fitting operations have been completed (fixing, assembly, etc.).

Warning

The contract concluded with the energy provider must be sufficient not only to cover the heat pump's power but also the combined sum of all the appliances likely to be operating at the same time.

When the power is too low, check with your energy provider the value subscribed to in your contract.

Never use a socket for the power supply.

The heat pump must be supplied with power by special protected leads from the electric panel via 2-pole circuit breakers specially dedicated to the heat pump : Curve D for the outdoor unit, curve C for the electric heating and domestic water back-ups (see tables on [page 23](#)).

The electrical installation must necessarily be equipped with a 30mA differential protection.

This appliance is designed to operate under a nominal voltage of 230 V, +/- 10%, 50 Hz.

2.9.2 General remarks on electrical connections

It is essential to maintain the live-neutral polarity when making the electrical connections.

Tighten the screws on the terminal blocks perfectly. Unsufficient tightening can cause overheating, leading to breakdown or even a fire.

Use cable clamps to prevent the conductors from being disconnected accidentally.

Connection to Earth and Earth bonding continuity are essential.

• Connecting to screw terminals

Rigid wires (A, figure 26).

Rigid wires are always preferable for fixed installations, particularly in a building.

- Always select a wire that complies with the prevailing standards.
- Strip away around 25 mm from the end of the wire.
- With round end pliers, form a loop with a diameter corresponding to the tightening screws on the terminal.
- Tighten the terminal screw firmly onto the loop created.

Flexible wires (B, figure 26)

H07RNF type (or superior quality) flexible wire can be used with certain precautions :

- Strip away around 10 mm from the end of the wire.
- With tightening pliers, fit a round tag with a diameter corresponding to the terminal screw's diameter on the end of the wire.
- Tighten the tag firmly onto the terminal with a screwdriver.
- We strongly advise against using flexible wires without round tags.
- Always protect the cables when passing them through cable clamps with PVC protective conduit 0,5 to 1 mm thick.

• Connecting to regulation cards

- Remove the corresponding connector and make the connection.

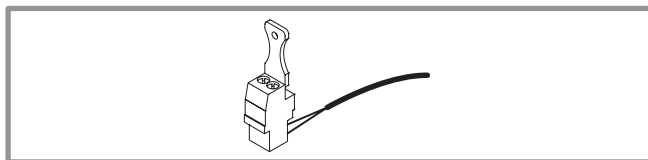


figure 27 - Regulation connector

• Connecting to spring terminals :

Rigid wires

- Strip away around 10 mm from the end of the wire.
- Slide the wire into the opening provided for this purpose.
- Push the spring with a screwdriver so that the wire enters the cage.
- Remove the screwdriver and then check that the wire is jammed in the cage by pulling on it.

Flexible wires

- Use the ends and proceed as before.

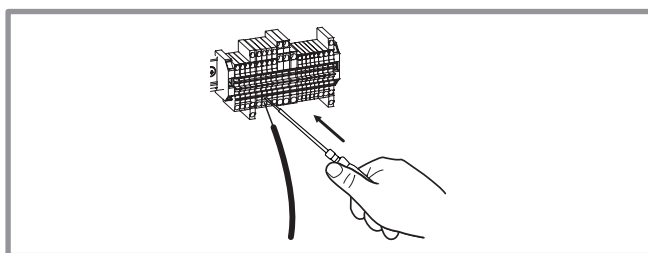


figure 28 - Hydraulic unit terminal block

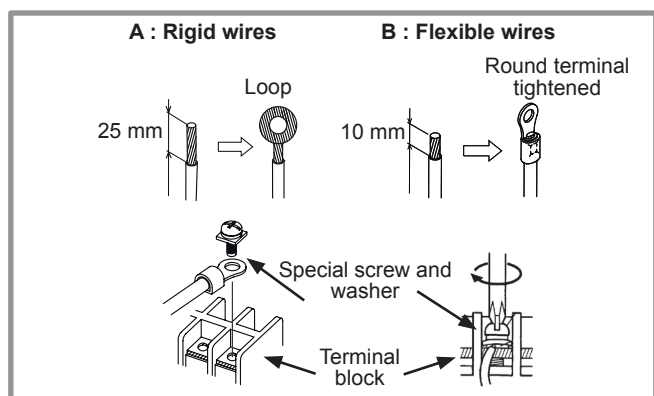


figure 26 - Outdoor unit terminal block

2.9.3 Overview of all the electrical connections

The wiring diagram for the hydraulic unit is shown in detail on [figure 43, page 51](#).

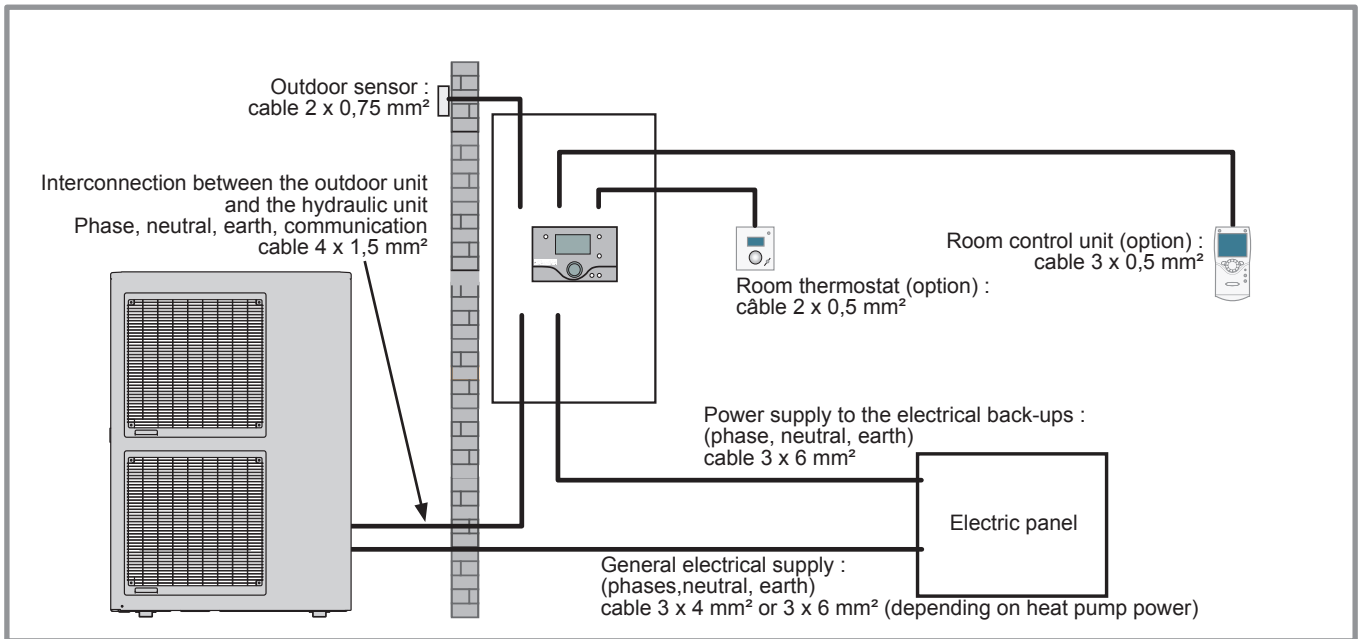


figure 29 - Overall layout of the electrical connections for a simple installation (1 heating circuit)

2.9.4 Cable section and protection rating

The cable sections are given for information purposes only and do not exempt the installer from checking that these sections correspond to the requirements and comply with the prevailing standards.

• Power supply to outdoor unit

Heat pump		Electricity supply 230 V - 50 Hz	
Model	Maximal power	Cable connection (Phase, Neutral, Earth)	Curve D circuit breaker size
WO*G112LBT	4,555 kW	3 x 4 mm ²	27 A
WO*G140LBT	5,465 kW	3 x 6 mm ²	32 A

• **Interconnection between the outdoor unit and the hydraulic unit.** The hydraulic unit is powered by the outdoor unit by means of a 4 x 1,5 mm² cable (Phase, Neutral, Earth, Communication bus).

• Power supply to the electrical back-ups

The hydraulic unit contains two stages of electrical back-ups installed in a heat exchange cylinder.

Electric back-ups		Power supply to the electrical back-ups	
Power	Nominal intensity	Cable connection (Phase, Neutral, Earth)	Curve C circuit breaker size
6 kW	26,1 A	3 x 6 mm ²	32 A

• Outdoor sensor, room thermostat and room control unit

For the outdoor sensor, use a 2 x 0,75 mm² cable.

For the room thermostat, use a 2 x 0,5 mm² telephone type cable.

For the room control unit, use a 3 x 0,5 mm² telephone type cable.

2.9.5 Electrical connections on the outdoor unit side

Access to the connection terminals.

- Remove the front panel. Remove the screws and the front panel.

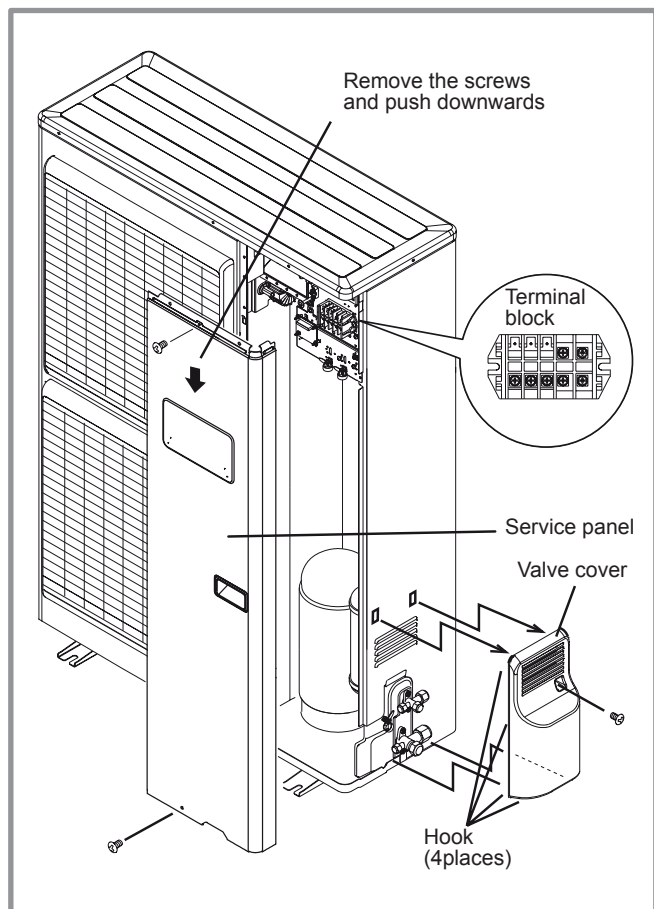


figure 30 - Access to outdoor unit's terminal block

- Use cable clamps to prevent the conductors from being disconnected accidentally.
- Fill in the space where the cables enter the outdoor unit with the insulating plate.

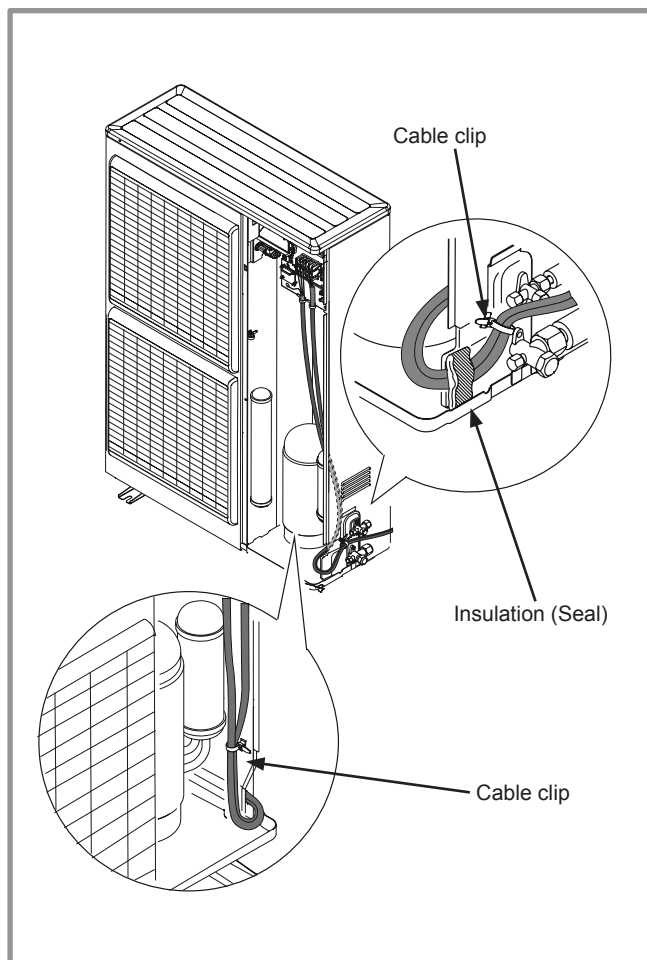


figure 31 - Finalisation of connection to outdoor unit

- Make the connections in accordance with the diagram figure 35, page 27.

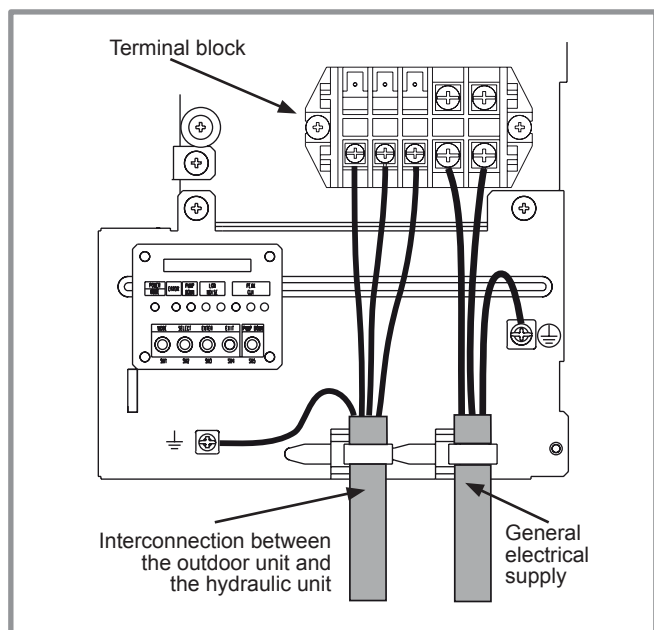


figure 32 - Connections to outdoor unit's terminal block

2.9.6 Electrical connections on the hydraulic unit side

Access to the connection terminals.

- Remove the front panel (2 screws)
(figure 14, page 15).
- Remove the cover of the electric box.
- Make the connections in accordance with the diagram
figure 34, page 26.

Do not place the sensor lines and the sector supply lines in parallel in order to avoid causing inadvertent interference due to voltage points in the sector supply.

Ensure that all the electrical cables are housed in the spaces provided for this purpose inside the lifting handles.

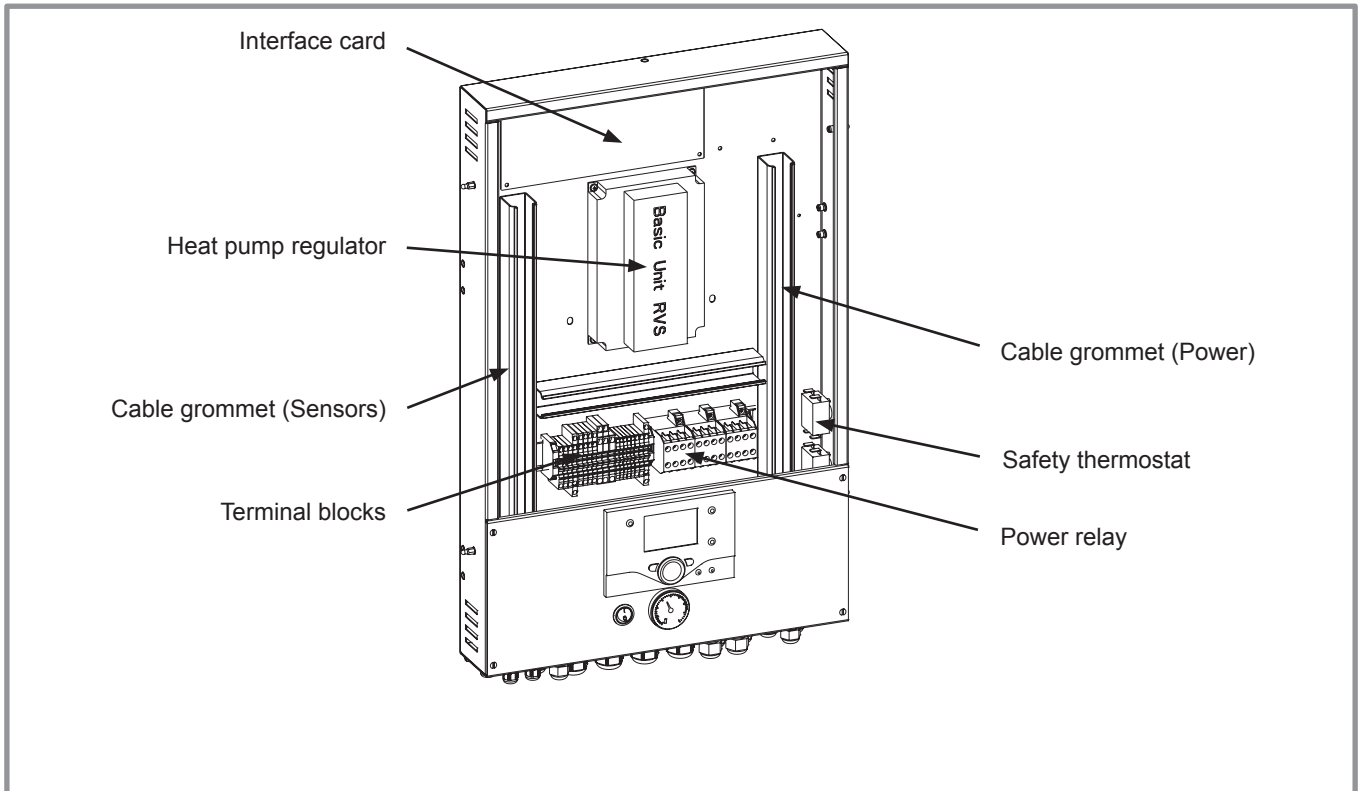


figure 33 - Access to hydraulic unit electric box and description

- ☞ **Ensure that the general electrical power supply has been cut off before starting any repair work.**
- ☞ **The rearmament of safety thermostat should be done by a professional.**

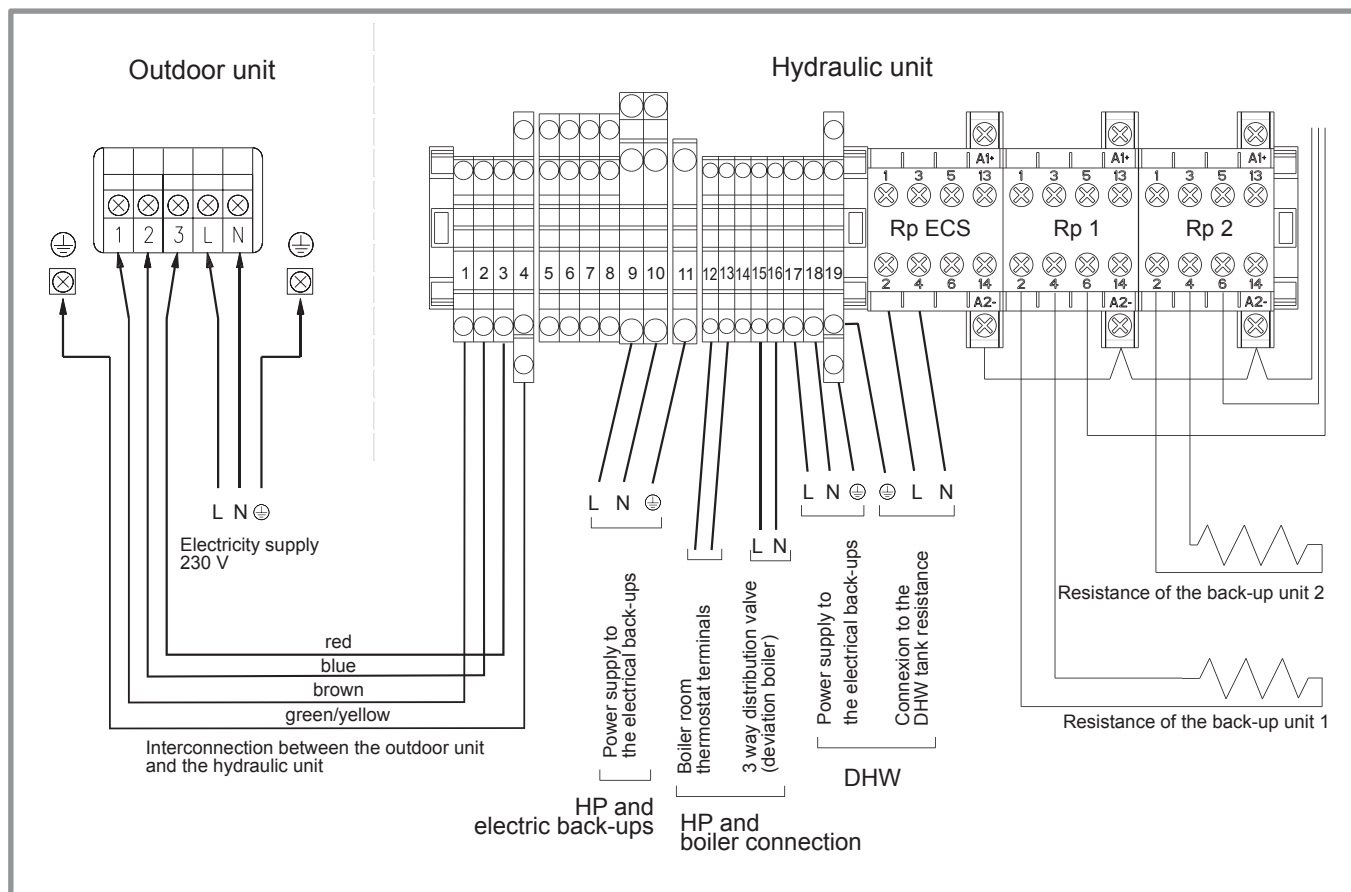


figure 34 - Connection to terminal block and power relays

• Interconnection between the outdoor unit and the hydraulic unit :

Comply with the correspondence between the markings on the hydraulic unit's terminals and those on the outdoor unit when connecting the interconnection cables.

A connection error could cause the destruction of one or other of the units.

• Electric back-ups :

If the heat pump is not installed with a boiler connection :

- Connect the electrical supply for the back-ups (terminals 17, 18 and 19) to the electrical panel.

• Boiler connection :

- Please refer to the instructions supplied with the boiler connection kit.

- Please refer to the instructions supplied with the boiler.

• Domestic hot water tank :

If the installation is fitted with a DHW tank with electrical back-up heating :

- Please refer to the instructions supplied with the DHW kit.

- Please refer to the instructions supplied with the DHW tank.

• Second heating circuit :

- Please refer to the instructions supplied with the second circuit kit.

• Contract with the power provider :

The heat pump's operation can be controlled to suit special contracts (e.g. off-peak, day/night).

In particular, domestic hot water (DHW) at Nominal temperature will be produced during the off-peak hours when electricity is cheaper.

- Connect the "Power Provider" contact to input **EX5**.

- Set the parameter (1620) to "Off-peak hours".

• 230V on input **EX5** = "Peak hours" information activated (Basic setting / Modification possible line 5989, menu Configuration).

• Power limitation or EJP (peak day removal) :

Power limitation is intended to reduce electrical consumption when this is too high compared to the contract with the power provider.

- Connect the power limiting device to input **EX4**, the back-ups for the heat pump and the DHW stop in the event of over-consumption by the dwelling.

• 230 V on input **EX4** = power limitation in progress. (Basic setting / Modification possible line 5987, menu Configuration) (Operating line 2920).

• External faults the heat pump :

Any component of carryforward of information (thermostat, pressure switch, etc.) may signal an external problem and stop the heat pump.

- Connect the external component to input **EX6**.

• 230 V on input **EX6** = stoppage of heat pump (the system displays Error 369).

- In the case of a heated floor, Connect the floor heating safety device into the connector of the floor heating pump (QX3 - circuit 1, QX23 - circuits 2).

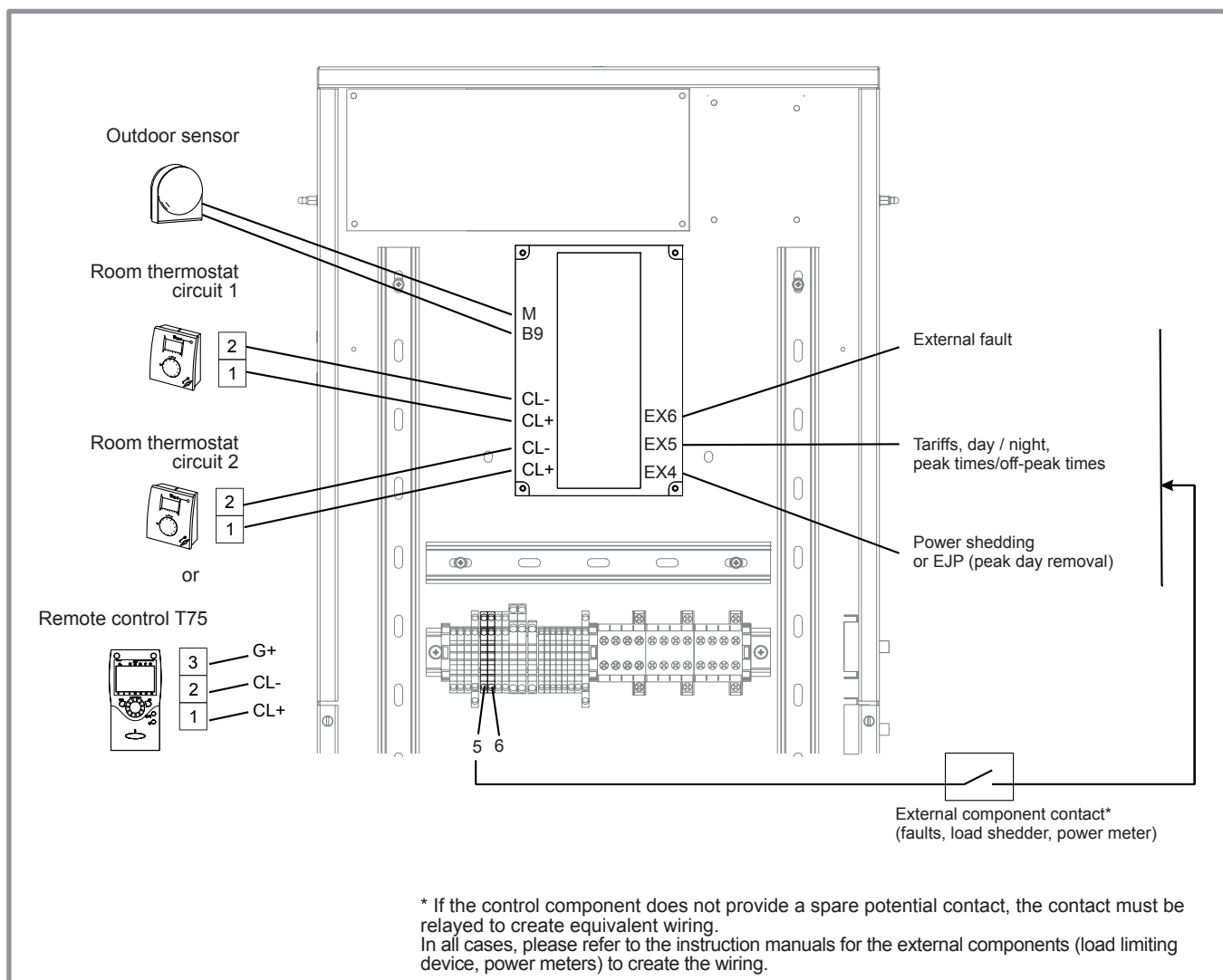


figure 35 - Connections to the heat pump regulator (accessories and options)

2.10 Outdoor sensor

The outdoor sensor is required for the heat pump to operate correctly.

Consult the fitting instructions on the sensor's packaging. Place the sensor on the coldest part, generally the northern or north-eastern side.

In any case, it must not be exposed to the morning sun.

It must be installed so as to be easily accessible but at least 2,5 m from the floor.

It is essential that it avoid any sources of heat such as flues, the upper parts of doors and windows, proximity to extraction vents, the underneath of balconies and under-eave areas which would isolate the sensor from variations in the outdoor air temperature.

- Connect the outdoor sensor to the **M** and **B9** terminals on the heat pump control board.

2.11 Room thermostat and/or room control unit

The room thermostat (room control unit) is optional.

Consult the fitting instructions on the sensor's packaging.

The sensor must be installed in the living room area on a very uncluttered wall, 1,5 m above the floor.

Avoid direct sources of heat (chimney/flue, television, cooking hobs), draughty areas (ventilation, door, etc.).

Air leaks in the seals in the constructions are often translated into cold air blowing through the electrical conduits. Lag the electrical conduits if there is a cold draught on the back of the IR sensor.

- Installation equipped with two room thermostats.
 - Connect each of the sensors to one of the **CL+** or **CL-** terminals on the heat pump control board using the connector supplied.
- Installation equipped with a room thermostat and a room control unit.
 - Connect the sensor to one of the **CL+** or **CL-** terminals on the heat pump control board.
 - Connect the room control unit to the other **CL+**, **CL-** terminals and to **G+**.

2.12 Start-up

- Make sure that ALL DIP SW are OFF before starting up. DIP SW should be set OFF for normal operation. Power supply to the hydraulic unit must be turned off while touching DIP SW.

- Close the installation's main circuit breaker.

On first commissioning (or in winter), in order to allow the compressor to pre-heat, engage the installation's main circuit breaker (power supply to the outdoor unit) some hours before starting up the tests.

- Engage the start/stop switch.


To ensure that inputs EX4, EX5 and EX6 operate correctly : Check that the live-neutral polarity of the electrical supply is correct.



When the power is switched on and every time that the ON/OFF button is switched off and then switched on again, the outdoor unit will take approximately 4 minutes to start up, even if the setting is requesting heating.

The display can show error 370 when the appliance (re)starts. Do not be concerned, the communication between the outdoor and hydraulic unit will re-establish itself in a few moments.

During the regulator initialisation phase, the display shows all the symbols and then "Data, update" and then "State heat pump".

- Make all the specific adjustments to the setting (configuring the installation).

- Press the key .

- Hold down the key  for 3s and select the level of access used with the aid of the knob .

- Confirm with the key .

Parameter the heat pump's setting (consult the settings' list [page 32](#)).

On commissioning (or the case of error 10), the electrical backup heaters are liable to start up even if the outdoor temperature at the time is above the heaters' trigger temperature.

The regulating system uses an average initial outdoor temperature of 0°C and requires some time to update this temperature.

To mitigate this situation, the sensor must be connected correctly. Re-initialise parameter 8703 (implementation level, consumer diagnostic menu).

2.13 Configuring the room thermostat

To configure the room thermostat and connect it to the appropriate heating zone :

- Hold down the presence key for more than 3 seconds. The room thermostat displays RU and a number flashes.

- Turn the wheel to choose the zone (1, 2).

☞ **If the installation is fitted with 2 room thermostats,**

- First connect one room thermostat and configure it in zone 2.

- Then connect the other room thermostat and configure it as default in zone 1.

- Hold down the presence key ; the room thermostat displays P1 and a flashing number.
1 : Automatic recording : a correction of the setting with the button is adopted without any particular confirmation (timeout) or by pressing the regime key.
2 : Recording with confirmation : a correction of the setting with the button is not adopted until the regime key is pressed.

- Press the presence key again ; the room thermostat displays P2 and a flashing number.

0 : OFF : all the operating elements are engaged.

1 : ON : the following operating elements are locked :

Switching over the heating circuit's operating mode.

Adjusting the comfort setting.

Changing the operating level.

The room thermostat displays OFF for 3 seconds when a locked button is pressed.

2.14 Configuring room control unit

During commissioning, after an initialisation period of approx. 3 minutes, the user's language must be set :

- Press the key .

- Choose menu "User interface".

- Choose language.

- Select the language (**english**, français, nederlands, español, etc...).

3 Regulation system

3.1 User interface and room control unit (option)

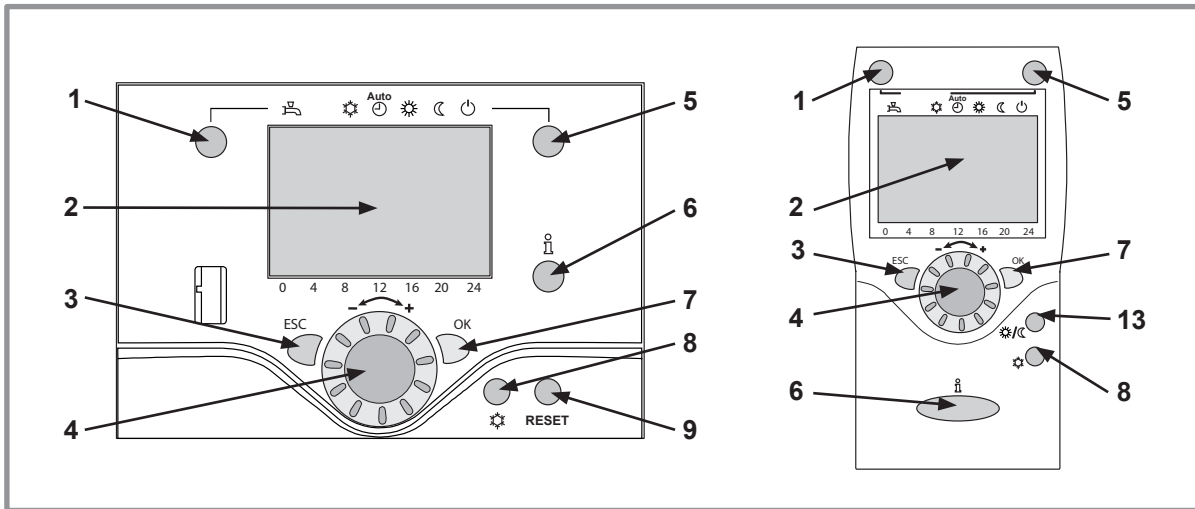


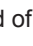
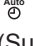








figure 36 -

Ref.	Function	- Definitions
1	Selecting of the DHW operating mode (Domestic hot water).	- If the installation is fitted with a DHW tank. - On : Production of DHW according to the time program. - Off : Preparing the domestic hot water for stopping with the anti-frost function active. - Manual start button : Hold down the DHW key for 3 seconds. Switch from "reduced" to "comfort" until the next time the DHW timer switches over.
	 On  Off	
2	Digital display.	- Operating control. Readout of the current temperature, of the heating mode and of any faults  . - View the settings.
3	Exit "ESC".	- Quit the menu.
4	Navigation and setting.	- Selecting the menu. - Setting parameters. - Adjusting the ambient temperature setpoint.
5	Selecting the heating mode.	-  Heating operating according to the heating programme (Summer/winter mode switchover is automatic). -  Constant comfort temperature. -  Constant reduced temperature. -  Stand-by mode with anti-frost protection (Provided that the heat pump's electrical power supply is not interrupted).
6	Information display.	- Various data (please see page 52). -  Reading error codes (please see page 53). -  Information concerning maintenance, special mode.
7	Confirm "OK".	- Input into the selected menu. - Confirmation of the parameter settings. - Confirmation of the adjustment to the comfort temperature setting.
8	Selecting cooling mode.	- If the installation is fitted with the cooling kit : -  Cooling operating according to the heating programme (Summer/winter mode switchover is automatic).
9	RESET button (Hold down the "RESET" key for 3 sec).	- Reinitialising the parameters and cancelling error messages. Do not use during normal operation.

3.2 Room thermostat (option)

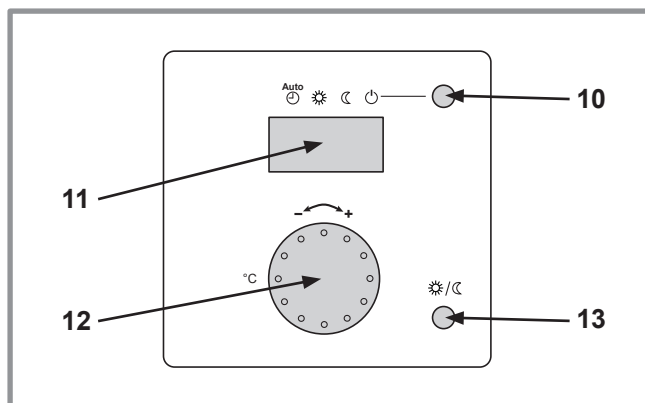


figure 37 - Room thermostat (option)

Ref.	Function	- Definitions
10	Selecting the heating mode.	<ul style="list-style-type: none"> - Heating operating according to the heating programme (Summer/winter mode switchover is automatic). - Constant comfort temperature. - Constant reduced temperature. - Stand-by mode with anti-frost protection (Provided that the heat pump's electrical power supply is not interrupted).
11	Digital display.	- Operating control. Readout of the current temperature, of the heating mode and of any faults .
12	Control knob.	- Adjusting the ambient temperature setpoint.
13	Presence key.	- Comfort / Reduced switchover.

3.3 Temperature control

The heat pump's operation is subject to the temperature control.

The set temperature for the water in the heating circuit is adjusted according to the outdoor temperature.

The temperature control may be chosen automatically by the machine (self-adaptation) or set manually by the installer (Parameters 720, 721 and 726).

If there are thermostatic valves on the installation, these must be fully open or adjusted for higher than the normal set temperature.

3.3.1 Manual adjustment

During installation, the temperature control must be parametered according to the heat emitters and the dwelling's insulation.

The temperature control' curves (figure 38) refer to an ambient setting of 20°C.

The slope of the temperature control (parameter 720) determines the impact of the variations in the outdoor temperature on the initial heating temperature variations.

The higher the slope, the more a slight reduction in the outdoor temperature causes a significant increase in the initial water temperature in the heating circuit.

The off-set in the temperature control (parameter 721) alters the initial temperature of all the curves, without altering the slope (figure 39).

The corrective actions in the case of any inconvenience are detailed in the table (figure 40).

3.3.2 Self-adaptation

When this function is active (parameter 726), the temperature control are automatically adjusted ; it is therefore futile to alter the slope or the off-set in the temperature control (parameters 720 and 721).

When this function is first activated, the end user may experience some inconvenience for a few days. This period of no more than a week is required by the regulator to determine the slope and off-set in the temperature control.

We advise against changing the temperature settings during this period.

The following instructions must be observed for the self-adaptation system to operate correctly :

- A room thermostat must be connected.
- The influence of the ambient temperature (parameter 750) must be set between 1 and 100%.
- Depending on the installation, the room thermostat may have a greater or lesser influence on the temperature control.
- The room in which the room thermostat is installed must not contain any thermostatic valves. If this is the case, the valves must be open fully.

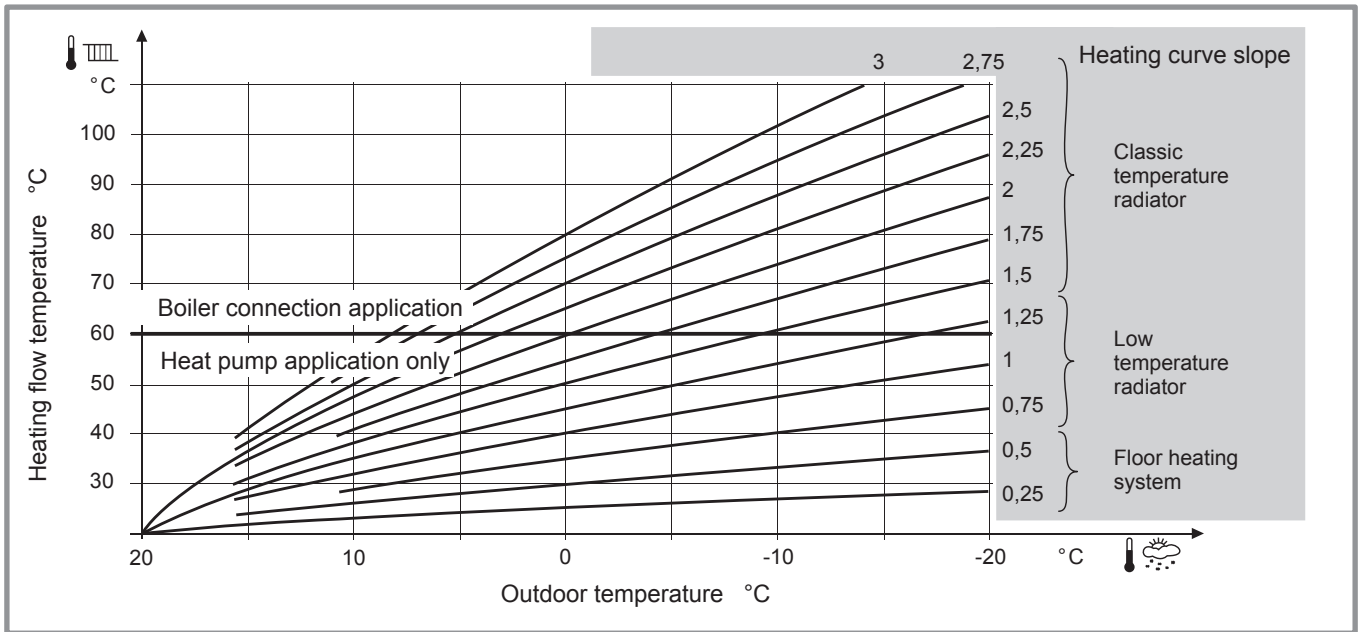


figure 38 - Heating curve slope (line 720)

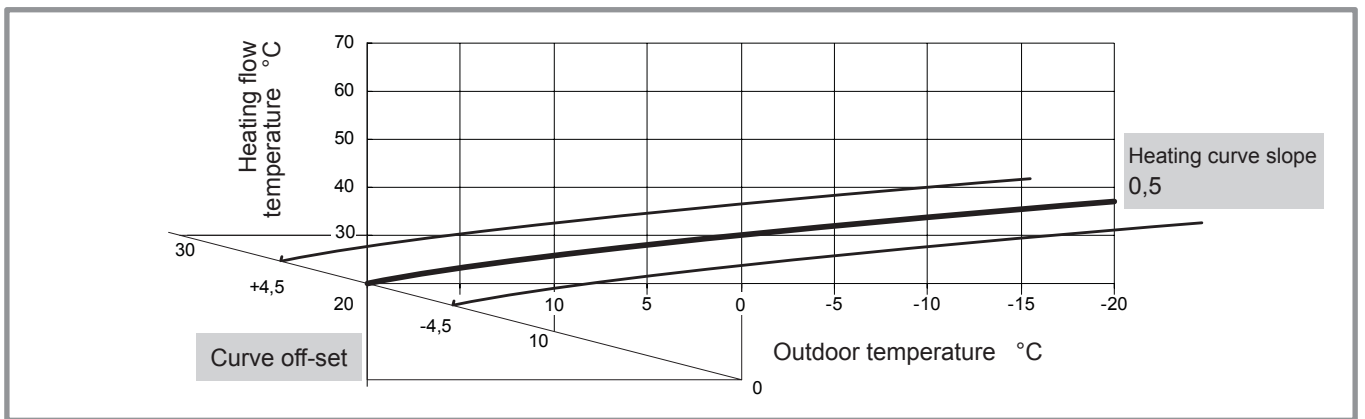


figure 39 - Off-set of the heating curve (line 721)

Sensations...		Corrective actions on the temperature control :	
...in mild weather	...in cold weather	Curve slope (line 720)	Curve off-set (line 721)
OK	& OK	→ No correction	No correction
Cold	& Hot	→	
Cold	& OK	→	
Cold	& Cold	→ No correction	
OK	& Hot	→	No correction
OK	& Cold	→	No correction
Hot	& Hot	→ No correction	
Hot	& OK	→	
Hot	& Cold	→	

figure 40 - Corrective actions in the case of discomfort

3.4 Parametering the setting

3.4.1 General

Only the parameters accessible to levels :

- U** - End user.
- I** - Commissioning level.
- S** - Engineer level.

Are described in this document.

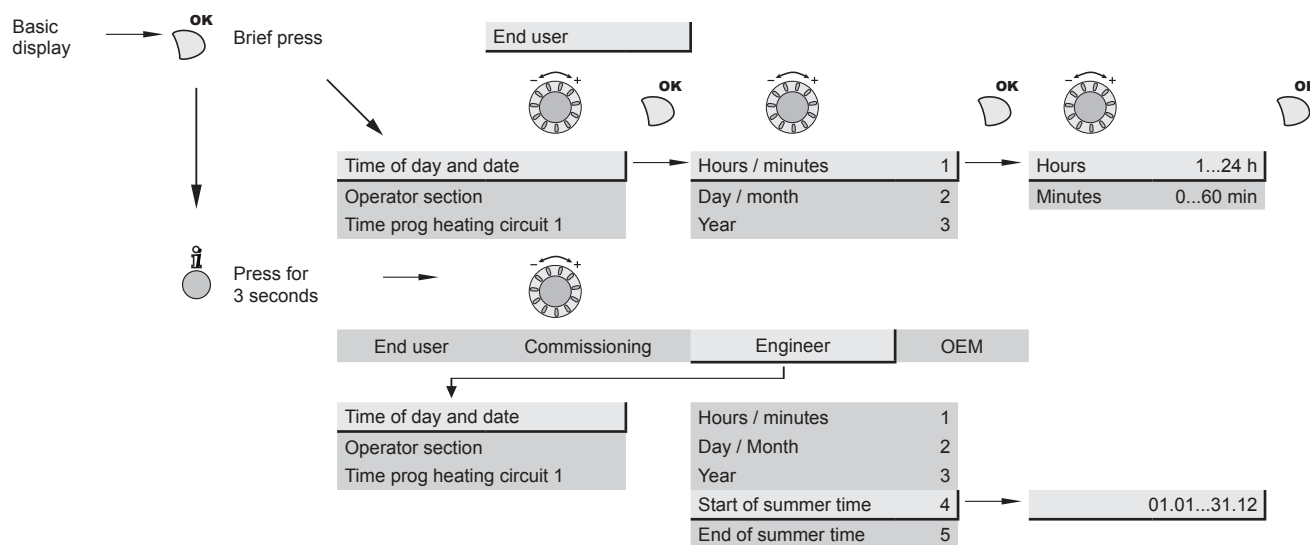
The access levels are specified in the second column of the table by means of the letters **U**, **I** and **S**.

The OEM parameters are not described and require a manufacturer's access code.

3.4.2 Setting parameters

- Choose the desired level.
- Scroll the menu list.
- Choose the desired menu.
- Scroll the function lines.
- Choose the desired line.
- Adjust the parameter.
- Check the setting by pressing **OK**.
- To return the menu, press **ESC**.

If no setting is made for 8 minutes, the screen returns automatically to the basic display.



3.4.3 List of function lines (settings, diagnosis, status)

Line	Function	Setting range or display	Setting increment	Basic setting
Date and time				
1	U Hours / Minutes	00:00... 23:59	1	
2	U Day / Month	01.01... 31.12	1	
3	U Year	1900... 2099	1	
5	S Start of summer time (Day / Month)	01.01... 31.12	1	25.03
6	S End of summer time (Day / Month)	01.01... 31.12	1	25.10
The change of hour will appear at 3:00 am first Sunday after the regulated date.				
User interface				
20	U Language	English, Français, Italiano, Nederlands...		English
22	S Info	Temporary, Permanent		Temporary
26	S Operation locking	On, Off		Off
27	S Programming locking	Off, On		Off
28	I Direct adjustment	Automatic storage... Storage with confirmation		Storage with confirmation
44	I Operation HC2 (command HC2)	Commonly with HC1, Independent		Commonly with HC1

Commonly with HC1 or Independent : This function enables you to choose whether you wish the room thermostat (as an option) to act on both zones or just a single zone.

Line	Function	Setting range or display	Setting increment	Basic setting
46	I Operation HCP (domestic hot water pump command, output QX2)			Commonly with HC1
	Commonly with HC1 or Independent (if independent, see timer program 3 / HCP)			
70	S Software version (Display)			
Heating time programme, circuit 1				
500	U Pre-selection (Day / Week)	Mon-Sun, Mon-Fri, Sat-Sun, Monday, Tuesday, ...		Mon-Sun
501	U 1 st phase On (start)	00:00... --:--	10 min	6:00
502	U 1 st phase Off (end)	00:00... --:--	10 min	22:00
503	U 2 nd phase On (start)	00:00... --:--	10 min	--:--
504	U 2 nd phase Off (end)	00:00... --:--	10 min	--:--
505	U 3 rd phase On (start)	00:00... --:--	10 min	--:--
506	U 3 rd phase Off (end)	00:00... --:--	10 min	--:--
516	U Default values, Circuit 1	No, Yes		No
	Yes + OK : The Default values memorised in the regulator replace and cancel the customised heating programmes. Your customised settings are therefore lost.			
Heating time programme, circuit 2				
	Only with the 2nd circuit kit option			
520	U Pre-selection (Day / Week)	Mon-Sun, Mon-Fri, Sat-Sun, Monday, Tuesday, ...		Mon-Sun
521	U 1 st phase On (start)	00:00... --:--	10 min	6:00
522	U 1 st phase Off (end)	00:00... --:--	10 min	22:00
523	U 2 nd phase On (start)	00:00... --:--	10 min	--:--
524	U 2 nd phase Off (end)	00:00... --:--	10 min	--:--
525	U 3 rd phase On (start)	00:00... --:--	10 min	--:--
526	U 3 rd phase Off (end)	00:00... --:--	10 min	--:--
536	U Default values, Circuit 2	No, Yes		No
	Yes + OK : The Default values memorised in the regulator replace and cancel the customised heating programmes. Your customised settings are therefore lost.			
Programme 3/ HCP				
	Domestic hot water pump program, lines 540 to 556.			
Time programme 4 / DHW				
	If the installation is fitted with a DHW tank. (Only with the DHW kit option).			
560	U Pre-selection (Day / Week)	Mon-Sun, Mon-Fri, Sat-Sun, Monday, Tuesday, ...		Mon-Sun
561	U 1 st phase On (start)	00:00... --:--	10 min	00:00
562	U 1 st phase Off (end)	00:00... --:--	10 min	05:00
563	U 2 nd phase On (start)	00:00... --:--	10 min	--:--
564	U 2 nd phase Off (end)	00:00... --:--	10 min	--:--
565	U 3 rd phase On (start)	00:00... --:--	10 min	--:--
566	U 3 rd phase Off (end)	00:00... --:--	10 min	--:--
576	U Default values	No, Yes		No
	Yes + OK : The Default values memorised in the regulator replace and cancel the customised heating programmes. Your customised settings are therefore lost.			

<i>Line</i>	<i>Function</i>	<i>Setting range or display</i>	<i>Setting increment</i>	<i>Basic setting</i>
Time programme 5 / Cooling				
If the installation is fitted with the cooling kit (Only with the cooling kit option).				
600	U Pre-selection (Day / Week)	Mon-Sun, Mon-Fri, Sat-Sun, Monday, Tuesday, ...		Mon-Sun
601	U 1 st phase On (start)	00:00... --:--	10 min	8:00
602	U 1 st phase Off (end)	00:00... --:--	10 min	20:00
603	U 2 nd phase On (start)	00:00... --:--	10 min	--:--
604	U 2 nd phase Off (end)	00:00... --:--	10 min	--:--
605	U 3 rd phase On (start)	00:00... --:--	10 min	--:--
606	U 3 rd phase Off (end)	00:00... --:--	10 min	--:--
616	U Default values	No, Yes		No
Yes + OK : The Default values memorised in the regulator replace and cancel the customised heating programmes. Your customised settings are therefore lost.				
Holidays, heating circuit 1				
641	U Preselection	Period 1 to 8		Period 1
642	U Start (Day / Month)	01.01... 31.12	1	
643	U End (Day / Month)	01.01... 31.12	1	
648	U Operating level (during the holidays)	Frost protection, Reduced		Frost protection
Holidays, heating circuit 2				
If the installation consists of 2 heating circuits (Only with the 2 nd circuit kit option)				
651	U Preselection	Period 1 to 8		Period 1
652	U Start (Day / Month)	01.01... 31.12	1	
653	U End (Day / Month)	01.01... 31.12	1	
658	U Operating level (during the holidays)	Frost protection, Reduced		Frost protection
Heating, circuit 1				
710	U Comfort heating setpoint	from reduced setpoint to 35°C	0,5 °C	20 °C
712	U Reduced setpoint	from frost protection setpoint... to comfort setpoint	0,5 °C	18 °C
714	U Frost protection setpoint	from 4°C... to reduced setpoint	0,5 °C	8 °C
716	S Comfort setpoint max	20 °C... 35 °C	1 °C	28 °C
720	I Heating curve slope (See figure 38, page 31).	0,1... 4	0,02	0,5
721	I Heating curve displacement	-4,5 °C... 4,5 °C	0,5 °C	0
726	I Heating curve adaption (see § 3.3.2, page 30)	Off, On		Off
730	I Summer / Winter heating limits	8 °C... 30 °C	0,5 °C	18 °C
When the average of the outdoor temperatures over the past 24 hours reaches 18°C, the regulator switches off the heating (as an economy measure). During summer mode, the display shows "Eco". This function is only active in automatic mode.				
732	S 24-hour heating limit	-10 °C... 10 °C	1 °C	-3 °C
This function enables you partially to offset the automatic Summer/Winter switchover during the intermediate seasons. Increasing the value delays the switchover to Summer regime. Decreasing the value advances the switchover to Summer regime. This function is only active in automatic mode.				
740	S Flow temp setpoint min (for fan convectors)	8... 95 °C	1 °C	8 °C

Line	Function	Setting range or display	Setting increment	Basic setting
741	S Flow temp setpoint max Floor heating system = 50 °C / Higher temperature radiator = 65 °C	8... 95 °C	1 °C	55 °C
750	S Room influence If the installation is fitted with a room thermostat: This function enables you to choose the ambient temperature's influence on the setting. If no value is entered, the setting is made based on the temperature control. If the parameter is set at 100%, the setting is only based on the ambient temperature.	1%... 100%	1%	20%
790	S Optimum start control max (Early start to switch to the comfort setting.).	0... 360 min	10 min	120 min
791	S Optimum stop control max (Early stop to switch from the comfort setting to the reduced setting.).	0... 360 min	10 min	120 min
800	S Reduced setp increase start	-30... 10 °C	1 °C	--
801	S Reduced setp increase end	-30... 10 °C	1 °C	-5 °C
830	S Mixer valve boost	0... 50 °C	1 °C	0
834	S Actuator running time	30... 873 s	1 s	240 s
850	I Floor curing function (figure 41) - Off : Early interruption of the current programme, programme inactive. - Functional heating. - Heating ready for occupation. - Functional heating + curing heating. - Curing heating + Functional heating. - Manually : Manual mode enables you to programme your own concrete slab drying time. The function ends automatically after 25 days.			Off
851	I Floor curing setp manually (if line 850 = manual) This function enables you to set the custom concrete slab drying temperature. This temperature remains fixed. The concrete slab-drying programme stops automatically after running for 25 days.	0... 95 °C	1 °C	25 °C
856	I Floor curing day current	0... 32		
857	I Days complete.current	0... 32		
900	S Operating mode changeover Operating mode at end of concrete slab drying period.	None, Protection mode, Reduced, Comfort, Automatic	1	Protection mode

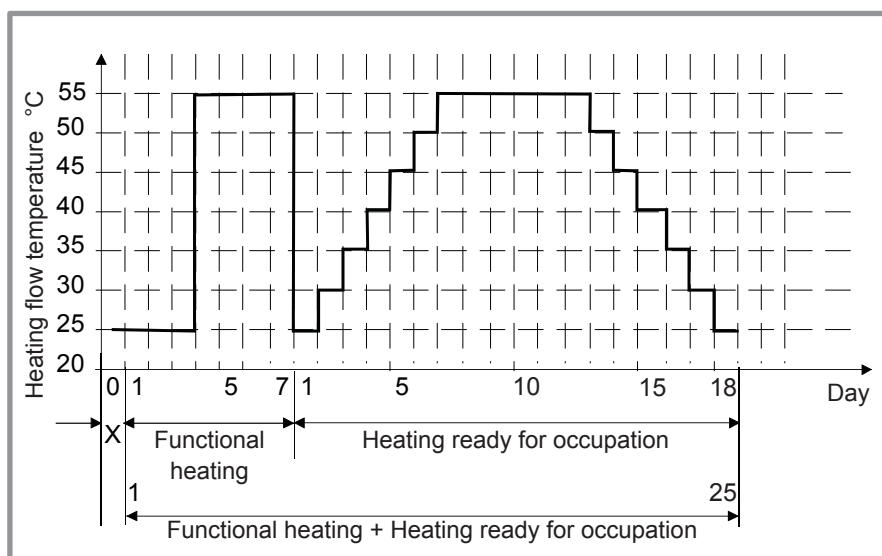


figure 41 - Diagram of the concrete slab drying programmes

Please comply with the standards and instructions of the manufacturer of the building! A good performance of this function is only possible with an installation correctly implemented (hydraulic, electricity and adjustments)! This function can be stopped by anticipation when setting the adjustment on "Stop".

<i>Line</i>	<i>Function</i>	<i>Setting range or display</i>	<i>Setting increment</i>	<i>Basic setting</i>
Cooling circuit 1				
901	U Operating mode	Off, Automatic		Off
902	U Comfort cooling setpoint	17... 40 °C	0,5 °C	24 °C
907	U Release	24h/day, Time program HC, Time program 5 / Refresh		Time program 5
If the installation is fitted with a DHW tank, set the parameter 907 to "Time program 5 / Cooling" (In order to activate cooling only during the day and leave the DHW system to operate during the night).				
908	I Flow temp setp at OT° 25°C	6... 35 °C	0,5 °C	20 °C
909	I Flow temp setp at OT° 35°C	6... 35 °C	0,5 °C	16 °C
912	I Cooling limit at OT°	8... 35 °C	0,5 °C	24 °C
913	S Lock time at end of heating	8... 100	1 h	24 h
918	S Summer comp start at OT°	20... 50 °C	1 °C	26 °C
919	S Summer comp end at OT°	20... 50 °C	1 °C	40 °C
920	S Summer comp setp increase	1... 10 °C	1 °C	4 °C
923	S Flow temp setp min OT° 25°C	6... 35 °C	0,5 °C	18 °C
924	S Flow temp setp min OT° 35°C	6... 35 °C	0,5 °C	18 °C
928	S Room influence	1... 100 %	1 %	80 %
If the installation is fitted with a room thermostat: This function enables you to choose the ambient temperature's influence on the setting. If no value is entered, the setting is made based on the temperature control. If the parameter is set at 100%, the setting is only based on the ambient temperature.				
932	S Room temp limitation	0,5... 4 °C	0,5 °C	0,5 °C
938	S Mixing valve decrease	0... 20 °C	1 °C	0 °C
941	S Actuator running time	30... 873 s	1 s	240 s
945	S Mixing valve in heating mode	Control, Open		Control
946	S Lock time dewpoint limiter	10... 600 min	10 min	60 min
963	S With prim contr / system pump	No, Yes		No*
*Basic setting : 1 circuit = No ; 2 circuits = Yes.				
969	S Operating mode changeover	No, Off, Automatic		Off
Heating, Circuit 2 (Only with the 2nd circuit kit option)				
If the installation consists of 2 heating circuits				
1010	U Comfort heating setpoint	from reduced setpoint to 35°C	0,5 °C	20 °C
1012	U Reduced setpoint	from frost protection setpoint... to comfort setpoint	0,5 °C	18 °C
1014	U Frost protection setpoint	from 4°C... to reduced setpoint	0,5 °C	8 °C
1016	S Comfort setpoint max	20... 35 °C	1 °C	28 °C
1020	I Heating curve slope (figure 38, page 31)	0,1... 4	0,02	0,5
1021	I Heating curve displacement	-4,5... 4,5 °C	0,5 °C	0
1026	S Heating curve adaption (see §3.3.2, page 30)	Off, On		Off

Line	Function	Setting range or display	Setting increment	Basic setting
1030	I Summer / Winter heating limits When the average of the outdoor temperatures over the past 24 hours reaches 18°C, the regulator switches off the heating (as an economy measure). During summer mode, the display shows "Eco". This function is only active in automatic mode.	8... 30 °C	0,5 °C	18 °C
1032	S 24-hour heating limit This function enables you partially to offset the automatic Summer/Winter switchover during the intermediate seasons. Increasing the value delays the switchover to Summer regime. Decreasing the value advances the switchover to Summer regime. This function is only active in automatic mode.	-10... 10 °C	1 °C	-3 °C
1040	S Flow temp setpoint min (for fan convectors)	8... 95 °C	1 °C	8 °C
1041	S Flow temp setpoint max Floor heating system = 50 °C / Higher temperature radiator = 65 °C	8... 95 °C	1 °C	55 °C
1050	S Room influence If the installation is fitted with a room thermostat: This function enables you to choose the ambient temperature's influence on the setting. If no value is entered, the setting is made based on the temperature control. If the parameter is set at 100%, the setting is only based on the ambient temperature.	1 %... 100 %	1 %	20 %
1090	S Optimum start control max	0... 360 min	10 min	120 min
1091	S Optimum stop control max	0... 360 min	10 min	120 min
1100	S Reduced setp increase start	-30... 10 °C	1 °C	--
1101	S Reduced setp increase end	-30... 10 °C	1 °C	-5 °C
1130	S Mixing valve boost	0... 50 °C	1 °C	0
1134	S Actuator running time	30... 873 s	1 s	240 s
1150	I Floor curing function (figure 41, page 35) - Off : Early interruption of the current programme, programme inactive. - Functional heating. - Heating ready for occupation. - Functional heating + curing heating. - Curing heating + Functional heating. - Manually : Manual mode enables you to programme your own concrete slab drying time. The function ends automatically after 25 days.			Off
1151	I Floor curing setp manually (if line 1150 = manual) This function enables you to set the custom concrete slab drying temperature. This temperature remains fixed. The concrete slab-drying programme stops automatically after running for 25 days.	0... 95 °C	1 °C	25 °C
1156	I Floor curing day current	0... 32		
1157	I Days complete. current	0... 32		
1200	S Operating mode changeover Operating mode at end of concrete slab drying period.	None, Protection mode, Reduced, Comfort, Automatic		Protection mode
Domestic Hot Water (Only with the DHW kit option)				
1610	U Nominal setpoint The backup electrical system is required to reach this level.	Reduced setting (line 1612)... to 65 °C setpoint	1	50 °C
1612	U Reduced setpoint	8 °C... to Nominal setpoint (line 1610)	1	25 °C

Line	Function	Setting range or display	Setting increment	Basic setting
1620	I Release (of DHW load)	24h / day, Time programs HCs, Time program 4/DHW, Low-tariff, T'prog 4/DHW or low-tariff		Time program 4/DHW
24h / day : The temperature of the DHW is constantly maintained at the DHW comfort setting.				
Time programs HCs : The DHW is produced according to the programming for the ambient temperature (with 1 hour in advance when switched on).				
Time program 4/DHW : The DHW programme is separate from the heating circuit programme.				
Low-tariff * : The electrical backup heating is only authorised to operate during the off-peak period.				
T'prog 4/DHW or low-tariff * : The electrical backup heating is authorised to operate during the comfort period or off peak.				
* - Connect the "Power Provider" contact to input EX5 or EX4. (See figure 35, page 27). In the case of a day /night contract, the electric back-ups for the DHW tank are subject to the power supplier's tariffs. Switching on the electric back-up for the DHW tank is only authorised during off-peak hours				
1640	I Legionella function	Off, Periodic (depending on the line setting 1641), Set day of the week (depending on the line setting 1642)		Off
1641	I Legionella funct periodically	1 to 7	1 day	7
1642	I Legionella funct weekday	Monday, Tuesday,...		Saturday
1644	I Legionella funct time	00:00... 23:50		--:--
If no value is entered, no anti-legionella cycle has been run.				
1645	I Legionella funct setpoint	55... 95 °C		65 °C
1646	I Legionella funct duration	10... 360 min		30 min
1647	I Legionella funct circ pump	On... Off		On
1660	I Release of circulating pump	Time program 3/HCP, DHW release, Time program 4/DHW		DHW release
Swimming pool (Only with swimming pool kit option)				
2056	U Setpoint source heating	8... 35 °C		22 °C
Heat pump				
2843	S Compressor off time min	0... 60 min	1 min	10 min
2844	S Switch-off temp max	8... 100 °C	1 °C	55 °C
Floor heating system = 55 °C / Higher temperature radiator = 65 °C				
2862	S Locking time stage 2 / modulating	0... 40 min	1 min	5 min
2873	S Compressor mod run time	10... 240 s	1 s	240 s
2882	S Release integr electric flow	0... 500 °Cmin	1 °Cmin	100 °Cmin
2884	S Release el flow below OT (Electrical release - start-up with outdoor temperature)	-30... 30 °C		2 °C
2886	S Compensation heat deficit	Off, On, Only with floor curing fct		Off
2910	S Release above outside temp	-30... 30 °C		--
2920	S With electrical utility lock (EX4)	Locked (Blocked on standby), Released		Released
Released : HP = On _ Back-up DHW = Off _ 1st back-up HP = Off _ 2nd back-up HP = Off _ Boiler = On. Locked (Blocked on standby) : HP = Off _ Back-up DHW = Off _ 1st back-up HP = Off _ 2nd back-up HP = Off _ Boiler = On.				

<i>Line</i>	<i>Function</i>	<i>Setting range or display</i>	<i>Setting increment</i>	<i>Basic setting</i>
Additional generator (Boiler connection)				
3700	S Release under outdoor temperature	-50... 50 °C	0,5 °C	2 °C
3705	S Overrun time	0... 120 min	1 min	20 min
3720	S Switching integral (for boiler relief)	0... 500 °Cmin	1 °Cmin	100 °Cmin
3723	S Locking time generator	1... 120 min	1 min	30 min
Domestic hot water (DHW) (Only with the DHW kit option)				
5020	S Flow setpoint boost	0... 30 °C	1 °C	5 °C
5024	S Switching diff	0... 20 °C	1 °C	7 °C
5030	S Charging time limitation	10... 600 min	10 min	90 min
5060	S Electrical resistance regime	Substitute, Summer, Always, Cooling mode		Substitute
5061	S Electrical resistance release	24h / day, Release of DHW, Programme 4 / DHW		Release of DHW
Installation configuration				
5700	I Pre-setting	1,2,3,... 12	1	1
	<p>This control enables you to choose one of the 8 pre-selected installation configurations. The hydraulic layouts for the various configurations are detailed in the section : "Installation Configurations".</p> <ul style="list-style-type: none"> - Pre-setting 1 : 1 heating circuit. - Pre-setting 2 : 1 heating circuit and DHW tank. - Pre-setting 3 : 2 heating circuits. - Pre-setting 4 : 2 heating circuits and DHW tank. - Pre-setting 5 : Boiler connection and 1 heating circuit. - Pre-setting 6 : Boiler connection and 2 heating circuits. - Pre-setting 7 : Boiler connection, 1 heating circuit and DHW tank. - Pre-setting 8 : Boiler connection, 2 heating circuits and DHW tank. - Pre-setting 9 to 12 : Do not use for heat pump single service. Reserved only for heat pump 2 services. 			
5711	S Cooling circuit 1	Off, System with 4 tubes, System with 2 tubes		Off
5870	S Combi storage tank	No, Yes		No
5987	S Cont type input EX4	Normally-closed contact (NC), Normally-opened contact (NO)		NO
5989	S Cont type input EX5	Normally-closed contact (NC), Normally-opened contact (NO)		NC
6046	I Function input H2 1 - Operating mode change HCs + DHW. 2 - Operating mode change HCs. 3 - Operating mode change HC1. 4 - Operating mode change HC2. 6 - Error/alarm message. 9 - Dew point monitoring. 16 - Swimming pool release.	1... 16	1	9
6047	I Contact type H2	NC - Normally-closed, NO - Normally-opened		NO
6048	S Function value contact H2	0... 130 °C	1 °C	45 °C
6100	S Readjustm outside sensor	-3... 3 °C	0,1 °C	0 °C
6120	S Frost protection plant	On, Off		On
6205	S Reset to default parameters	No, Yes		No
6220	S Software version (RVS)	0... 99		

<i>Line</i>	<i>Function</i>	<i>Setting range or display</i>	<i>Setting increment</i>	<i>Basic setting</i>
Error				
6711	U Reset HP	No, Yes		No
6740	S Flow temp HC1 alarm	10... 240 min	10 min	--
6741	S Flow temp HC2 alarm	10... 240 min	10 min	--
6745	S DHW charging alarm	1... 48 h	1 h	--
6746	S Flow temp cooling 1 alarm	10... 240 min	10 min	--
6800	S History 1	Time, Date, Error code		
6802	S History 2	Time, Date, Error code		
6804	S History 3	Time, Date, Error code		
6806	S History 4	Time, Date, Error code		
6808	S History 5	Time, Date, Error code		
6810	S History 6	Time, Date, Error code		
6812	S History 7	Time, Date, Error code		
6814	S History 8	Time, Date, Error code		
6816	S History 9	Time, Date, Error code		
6818	S History 10	Time, Date, Error code		
Service / Special operation				
7070	S HP interval	1... 240	1 month	--
7071	S HP time since maint Reset ? (no, yes)	0... 240	1 month	0
7072	S Max starts compr1/hrs run	0,1... 12	0,1	--
7073	S Cur starts compr1/hrs run (since the 6 last weeks) Reset ? (no, yes)	0... 12		0
7076	S Diff condens max/week	1... 250	1	--
7077	S Cur diff condens max/week Reset ? (no, yes)	0... 250		0
7078	S Diff condens min/week	1... 250	1	---
7079	S Cur diff condens min/week Reset ? (no, yes)	0... 250		0
7090	S DHW storage tank interval	1... 240	1 month	---
7091	S DHW stor tank since maint Reset ? (no, yes)	0... 240		0
7141	U Emergency operation	Off, On		Off
	Off : The heat pump does not use the backup electrical heating system or the boiler connection when a fault occurs (error 370). On : The heat pump uses the backup electrical system or the boiler connection when a fault occurs (error 370). In the "On" position, the energy costs can be onerous if the error is not eliminated.			
7142	S Emergency operating function type	Manual, Automatic		Manual
	Manual : Emergency mode is not active when a fault occurs. (Emergency mode = OFF). Automatic : Emergency mode is active when a fault occurs. (Emergency mode = ON). In "Automatic" position, the energy cost can be onerous if the error is not detected and eliminated.			
7150	I Simulation outside temp.	-50... 50 °C	0,5	--
7181	I Phone no. responsibility 1	0... 255		
7183	I Phone no. responsibility 2	0... 255		

Line	Function	Setting range or display	Setting increment	Basic setting
Inputs / outputs test				
7700	I Relay test			No test
	<p>This consists of instructing the regulator's relays one by one and checking their outputs. This enables you to check that the relays are working and that the cabling is correct. Check that each appliance in the installation is operating correctly.</p> <p>No test _ Everything is on STOP _ Relay output QX23, QX22, QX21 module 1 _ Relay output QX1 to QX6 _ Relay output QX23, QX21, QX22 module 2 _ Relay output QX7.</p> <p>The display shows the "Key" symbol. Pressing the Info button displays "Error 368". Warning : The component being tested is receiving electrical power throughout the test.</p>			
7710	I Output (Ux) test	0... 100%	1	--
7711	I Voltage (Ux) value	0... 10 Volt		0
7720	I Digital outputs test	0 = No test , 1 = Everything is on STOP 2 = Digital output DO1 , 3 = Digital output DO2		No test
7721	I Digital output DO1	Cooling regime, Heating regime		Heating regime
7722	I Digital output DO2	Off, On		Off
7730	I Outdoor temperature (B9)	-50... 50 °C		0
7820	I Sensor temperature BX1	-28... 350 °C		0
7823	I Sensor temperature BX4	-28... 350 °C		0
7824	I Sensor temperature BX5	-28... 350 °C		0
7830	I Sensor temperature BX21 module 1	-28... 350 °C		0
7831	I Sensor temperature BX22 module 1	-28... 350 °C		0
7832	I Sensor temperature BX21 module 2	-28... 350 °C		0
7833	I Sensor temperature BX22 module 2	-28... 350 °C		0
7841	I Contact status H1	Open, Closed		Open
7846	I Contact status H2	Open, Closed		Open
7855	I Contact status H3	Open, Closed		Open
7914	I Input EX4	0, 230 V		0
7915	I Input EX5	0, 230 V		0
7916	I Input EX6	0, 230 V		0
State				
8000	I State heating circuit 1			0
8001	I State heating circuit 2			0
8003	I State DHW			0
8004	I State cooling circuit 1			0
8006	I State heat pump			0
8011	I State swimming pool			0
8022	I State supplementary source			0

<i>Line</i>	<i>Function</i>	<i>Setting range or display</i>	<i>Setting increment</i>	<i>Basic setting</i>
8050	I History 1	Time, Date, State code		
8052	I History 2	Time, Date, State code		
8054	I History 3	Time, Date, State code		
8056	I History 4	Time, Date, State code		
8058	I History 5	Time, Date, State code		
8060	I History 6	Time, Date, State code		
8062	I History 7	Time, Date, State code		
8064	I History 8	Time, Date, State code		
8066	I History 9	Time, Date, State code		
8068	I History 10	Time, Date, State code		
Diagnostics heat generation				
8402	I Electrical resistance flow 1	Off, On		Off
8403	I Electrical resistance flow 2	Off, On		Off
8406	I Condenser pump	Off, On		Off
8410	U Return temp HP	0... 140 °C		
	Setpoint (flow) HP	0... 140 °C		
8412	U Flow temp HP	0... 140 °C		
	Setpoint (flow) HP	0... 140 °C		
8413	U Compressor modulation	0... 100%		
8425	I Temp diff condensor	-50... 140 °C		
8454	S Locking time Heat Pump Reset ? (no, yes)	0... 2730 h		
8455	S Counter number of locks HP Reset ? (no, yes)	0... 65535		
8456	S Hours run electrical flow Reset ? (no, yes)	0... 2730 h		
8457	S Start counter electrical flow Reset ? (no, yes)	0... 65535		
Diagnostics consumers				
8700	U Outside temperature	-50... 50 °C		
8701	U Outside temp min Reset ? (no, yes)	-50... 50 °C		
8702	U Outside temp max Reset ? (no, yes)	-50... 50 °C		
8703	I Outside temp attenuated Reset ? (no, yes)	-50... 50 °C		
	This is the average of the outdoor temperature over a 24-hour period. This value is used for automatic Summer / Winter switchover (line 730).			
8704	I Outside temp composite	-50... 50 °C		
	The mixed outdoor temperature is a combination of the current outdoor temperature and the average outdoor temperature calculated by the regulator. This value is used for calculating the initial temperature.			
8730	I Heating circuit pump, circuit 1	Off, On		Off
8731	I Mixer valve HC1 open	Off, On		Off
8732	I Mixer valve HC1 closed	Off, On		Off
8740	U Room temperature 1	0... 50 °C		20 °C
	Room setpoint 1	4... 35 °C		20 °C

<i>Line</i>	<i>Function</i>	<i>Setting range or display</i>	<i>Setting increment</i>	<i>Basic setting</i>
8743	U Flow temperature 1	0... 140 °C		50 °C
	Flow temperature setpoint 1	0... 140 °C		50 °C
8756	U Flow temp cooling 1	0... 140 °C		0
	Flow temp setpoint cooling 1	0... 140 °C		0
8760	I Heating circuit pump, circuit 2	Off, On		Off
8761	I Mixer valve HC2 open	Off, On		Off
8762	I Mixer valve HC2 closed	Off, On		Off
8770	U Room temperature 2	0... 50 °C		20 °C
	Room setpoint 2	4... 35 °C		20 °C
8773	U Flow temperature 2	0... 140 °C		50 °C
	Flow temperature setpoint 2	0... 140 °C		50 °C
8820	I DHW pump	Off, On		Off
8821	I DHW electrical resistance K6	Off, On		Off
8830	U DHW (domestic hot water) temperature	0... 140 °C		
	DHW temperature setpoint	5... 80 °C		50 °C
8840	S Time counter DHW pump	0... 2730 h		
8841	S Start counter DHW pump	0... 2730 h		
8842	S Hours run electric DHW	0... 2730 h		
8843	S Start counter electric DHW	0... 65535		
8900	U Swimming pool temperature	0... 140 °C		
	Swimming pool temperature setpoint	0... 35 °C		22 °C
8950	I Common flow temperature	0... 140 °C		
	Common flow temperature setpoint	0... 140 °C		0
8957	I Common flow setpoint, refrigeration	0... 140 °C		
9031	I Relay output QX1	Off, On		Off
9032	I Relay output QX2	Off, On		Off
9033	I Relay output QX3	Off, On		Off
9034	I Relay output QX4	Off, On		Off
9035	I Relay output QX5	Off, On		Off
9036	I Relay output QX6	Off, On		Off
9037	I Relay output QX7	Off, On		Off
9050	I Relay output QX21 module 1	Off, On		Off
9051	I Relay output QX22 module 1	Off, On		Off
9052	I Relay output QX23 module 1	Off, On		Off
9053	I Relay output QX21 module 2	Off, On		Off
9054	I Relay output QX22 module 2	Off, On		Off
9055	I Relay output QX23 module 2	Off, On		Off

4 Configuring the installation

☞ Optional DHW kit

DHW tank control (with electrical back-up) requires the use of the DHW kit.

Warning ! The tank must be fitted with an electric back-up, particularly for anti-legionella cycles.

Please refer to section "Operating principle", [page 11](#).

☞ Optional 2nd circuit kit

The control of 2 heating circuits requires the installation of the 2nd circuit.

If the installation consists of radiators (or fan-convectors) and a heated floor, zone 2 will correspond to the radiator (or fan-convectors) zone and **zone 1 to the heated floor zone**.

☞ Optional boiler connection kit

The connection of an oil or gas boiler to the heat pump requires the installation of the boiler connection kit.

☞ Swimming pool kit option

Please refer to the instructions supplied with the swimming pool kit.

Configuration (Parameter 5700)	Type of installation	Page
Pre-setting 1	1 heating circuit.	page 46
Pre-setting 2	1 heating circuit and DHW tank.	page 47
Pre-setting 3	2 heating circuits.	page 48
Pre-setting 4	2 heating circuits and DHW tank.	page 49
Pre-setting 5	Boiler connection and 1 heating circuit.	Please refer to the instructions supplied with the boiler connection kit.
Pre-setting 6	Boiler connection and 2 heating circuits.	
Pre-setting 7	Boiler connection, 1 heating circuit and DHW tank.	
Pre-setting 8	Boiler connection, 2 heating circuits and DHW tank.	
Pre-setting 9	Do not use for heat pump single service. Reserved only for heat pump 2 services.	
Pre-setting 10		
Pre-setting 11		
Pre-setting 12		

☞ Please consult us regarding any other installation configuration.

4.1 Configuration 1, 2, 3 or 4: heat pumps with electric back-ups

☞ Parameter 5700.

Configuration 1 : 1 heating circuit (see, [page 46](#)).

Configuration 2 : 1 heating circuit and DHW tank (see, [page 47](#)).

Configuration 3 : 2 heating circuits (see, [page 48](#)).

Configuration 4 : 2 heating circuits and DHW tank (see, [page 49](#)).

DHW tank control (with electrical back-up) requires the use of the DHW kit.

The control of 2 heating circuits requires the installation of the 2nd circuit.

4.1.1 Hydraulic connections

☞ In the case of a mixed DHW tank.

Install the directional valve on the heating circuit (on circuit 2 if it exists).

☞ In the case of 2 heating circuits.

With the 2nd circuit kit, the hydraulic unit's circulation pump CC1 must be moved and installed in a box of the 2nd circuit kit CC1.

4.1.2 Electrical connections

- **1** - Power supply to the outdoor unit.

Please refer to section "Electrical connections on the outdoor unit side" [page 24](#).

- **2** - Interconnection between the outdoor unit and the hydraulic unit (see [figure 34, page 26](#)).
- **3** - Power supply to the electrical back-ups :
 - Connect the electrical supply for the back-ups (terminals 9, 10 and 11) to the electrical panel. (see [figure 34, page 26](#)).
- **4** - Outdoor sensor (see [figure 35, page 27](#)).
- **5** - Room thermostat and/or room control unit (option, see [figure 35, page 27](#)).
- **6** - Contract with the power provider :
 - Connect the "Power Provider" contact to input EX5 or EX4. (see [figure 35, page 27](#))

☞ In the case of a mixed DHW tank.

Please refer to the instructions supplied with the DHW kit.

- **7** - Connect the directional valve to connector QX4 (see [figure 35, page 27](#)).
- **8** - Connect the domestic water sensor to terminal BX1 on the heat pump's control panel (see [figure 35, page 27](#)).
- **9** - Connect the back-up resistance to terminal 19 (Earth) and relay RP EPS to terminals 2 (L) and 4 (N) (see [figure 34, page 26](#)).
- **10** - Connect the electrical power supply for the domestic water back-up (terminals 17, 18 and 19) to the electric panel (see [figure 34, page 26](#)).

☞ In the case of 2 heating circuits.

Please refer to the instructions supplied with the second circuit kit.

- **11** - Circulation pump CC2.
- **12** - Circulation pump CC1.
- **13** - Mixer valve.
- **14** - Initial sensor.
- **()** - Interconnection between RVS / AVS.

☞ In the case of a heated floor.

Heated floor thermal safety fuse.

- **20** - The installer is responsible for connecting the heated floor's safety system. Thermal safety will stop the heat pump if the temperature in the floor is too high.

4.1.3 Parametering the setting

- Adjust the configuration : **1, 2, 3** or **4**, Line **5700**.
- Adjust the DHW programme : Line **1610** to **1661**.
 - 1 heating circuit.
Adjust the heating curve slope :
Line **720**.
 - 2 heating circuits.
Adjust the heating curve slope :
Line **720** (Circuit 1).
Line **1020** (Circuit 2).

4.1.4 Higher temperature radiators

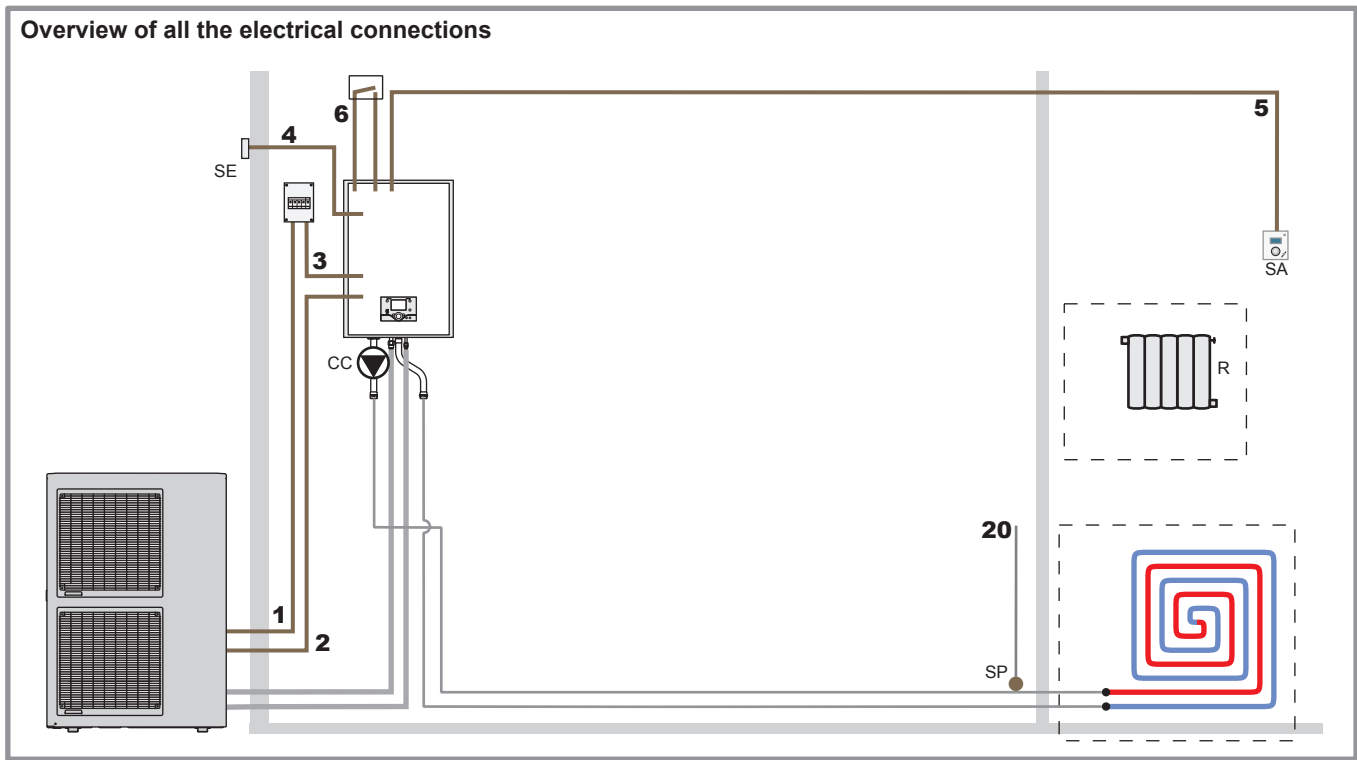
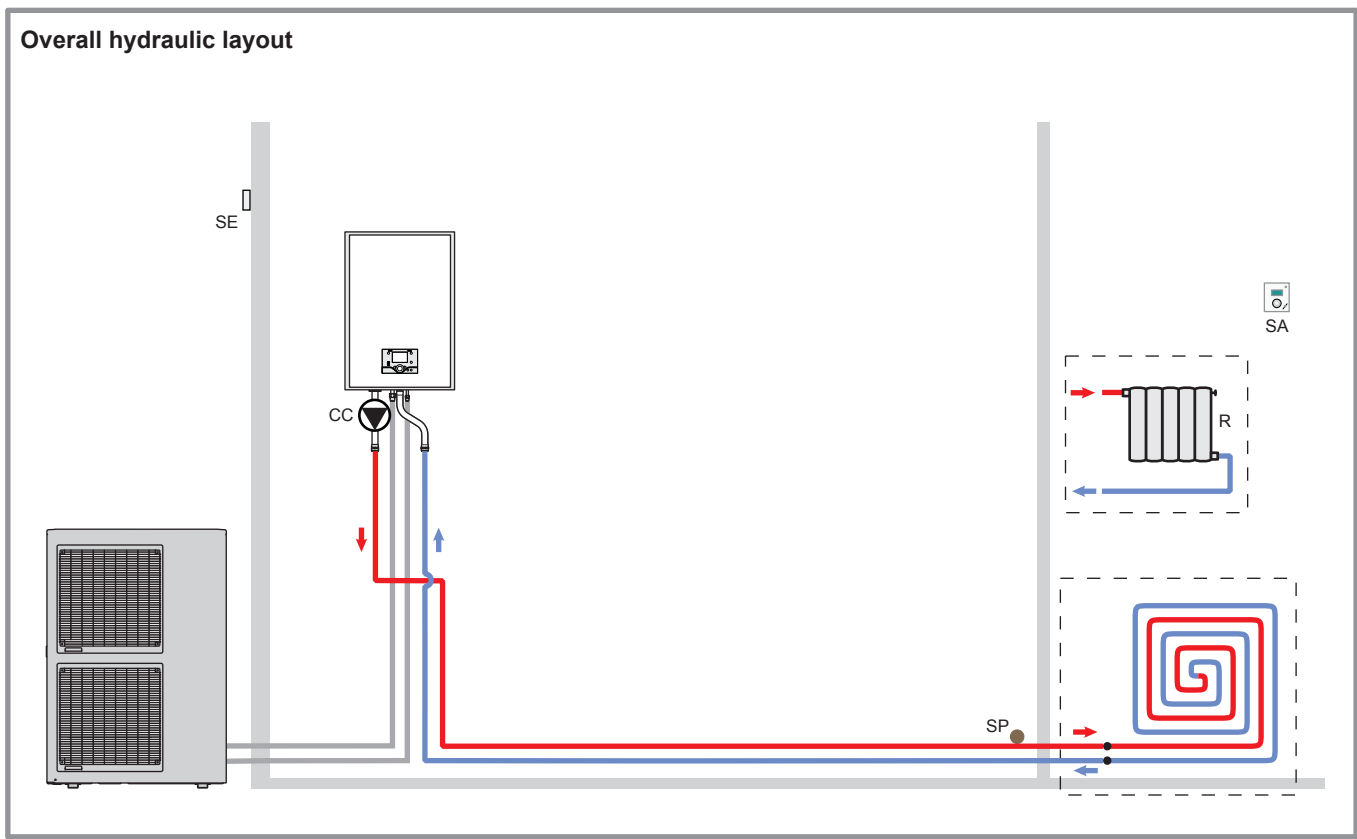
- Possibility to adjust the temperature setpoint of the radiator circuits :
Line **741** (Circuit 1).
Line **1041** (Circuit 2).
- First, adjust the value of the Switch-off temperature max line **2844**.

4.1.5 Special cases

Please consult us regarding any other installation configuration.

Configuration 1 :
1 heating circuit.

👉 See detailed instructions on page 45.

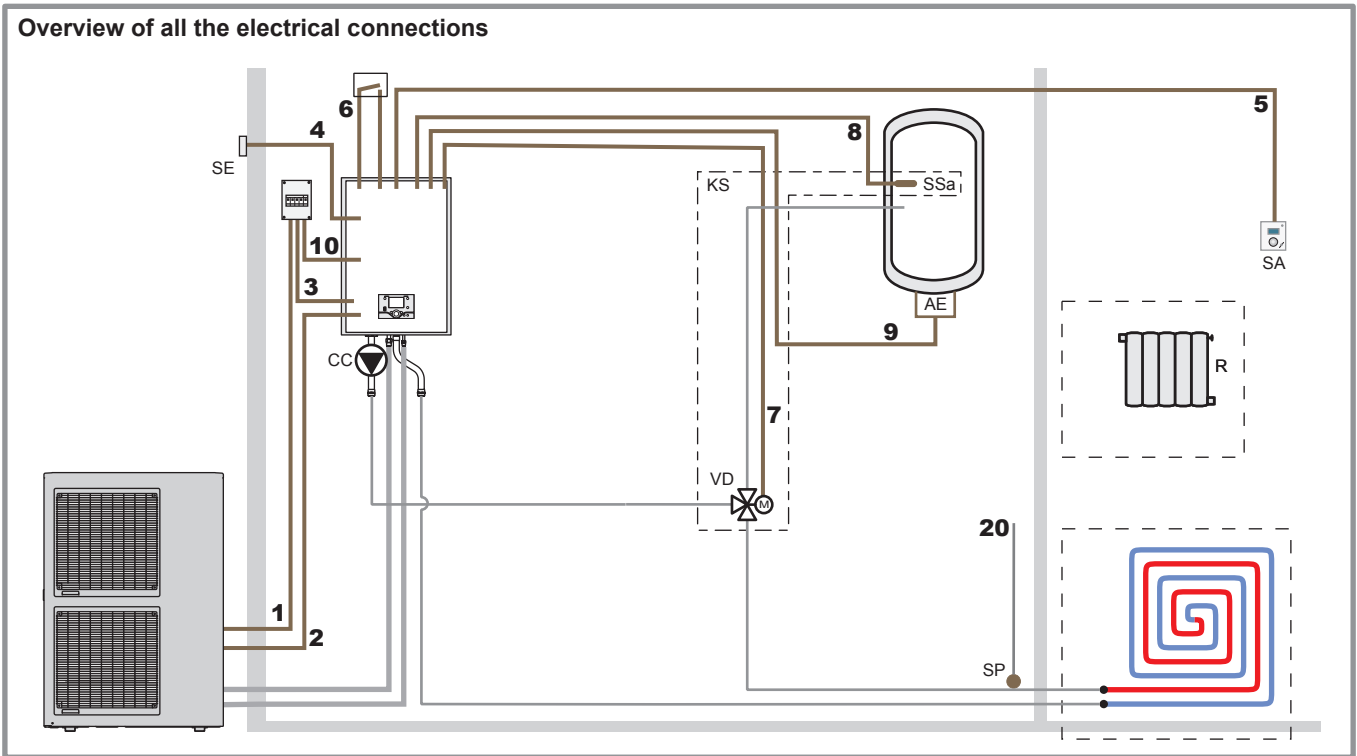
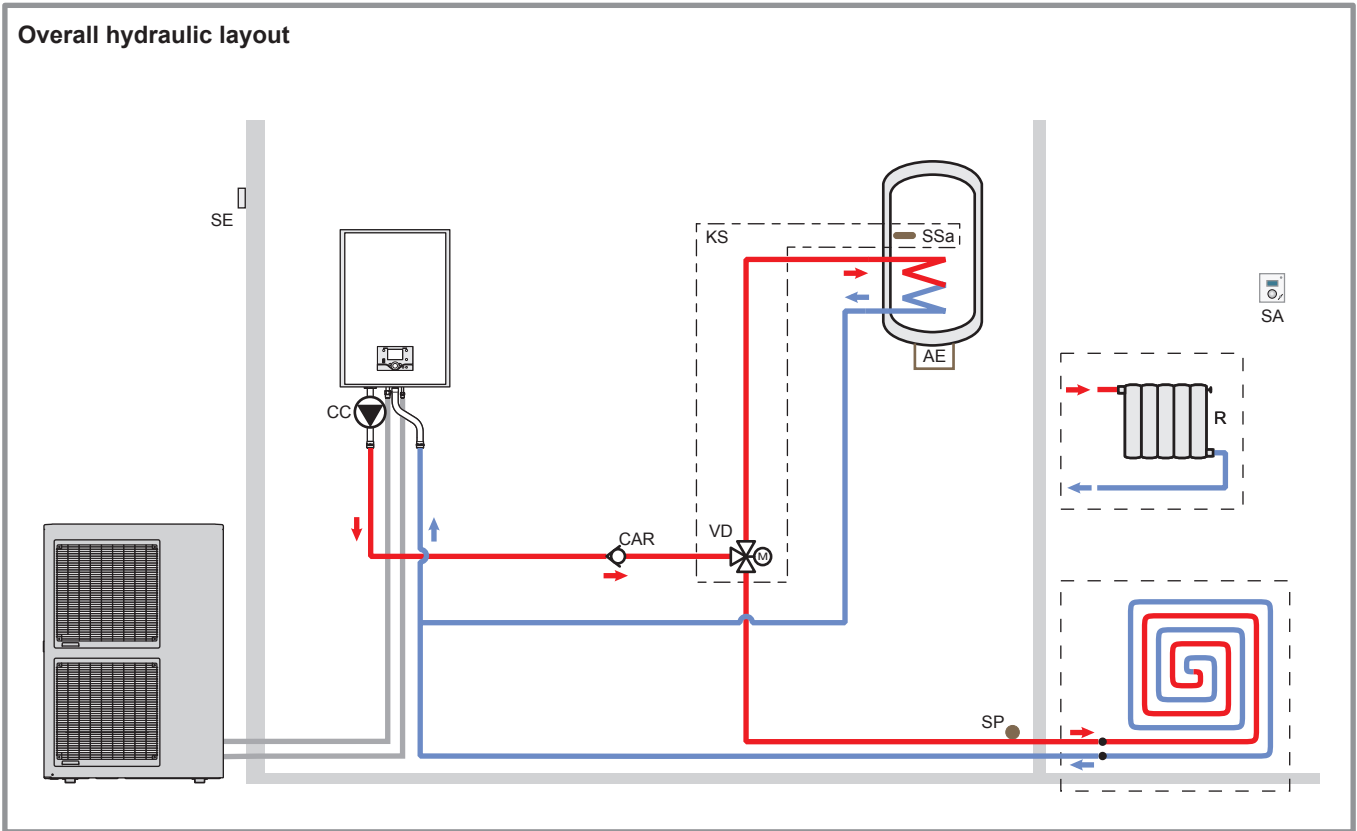


Legend

- CC** - Heating circulation pump.
- R** - Radiators (or fan convectors).
- SA** - Room thermostat (option).
- SE** - Outdoor sensor.
- SP** - Heated floor thermal safety fuse.

Configuration 2 :
1 heating circuit and DHW tank.

☞ See detailed instructions on page 45.

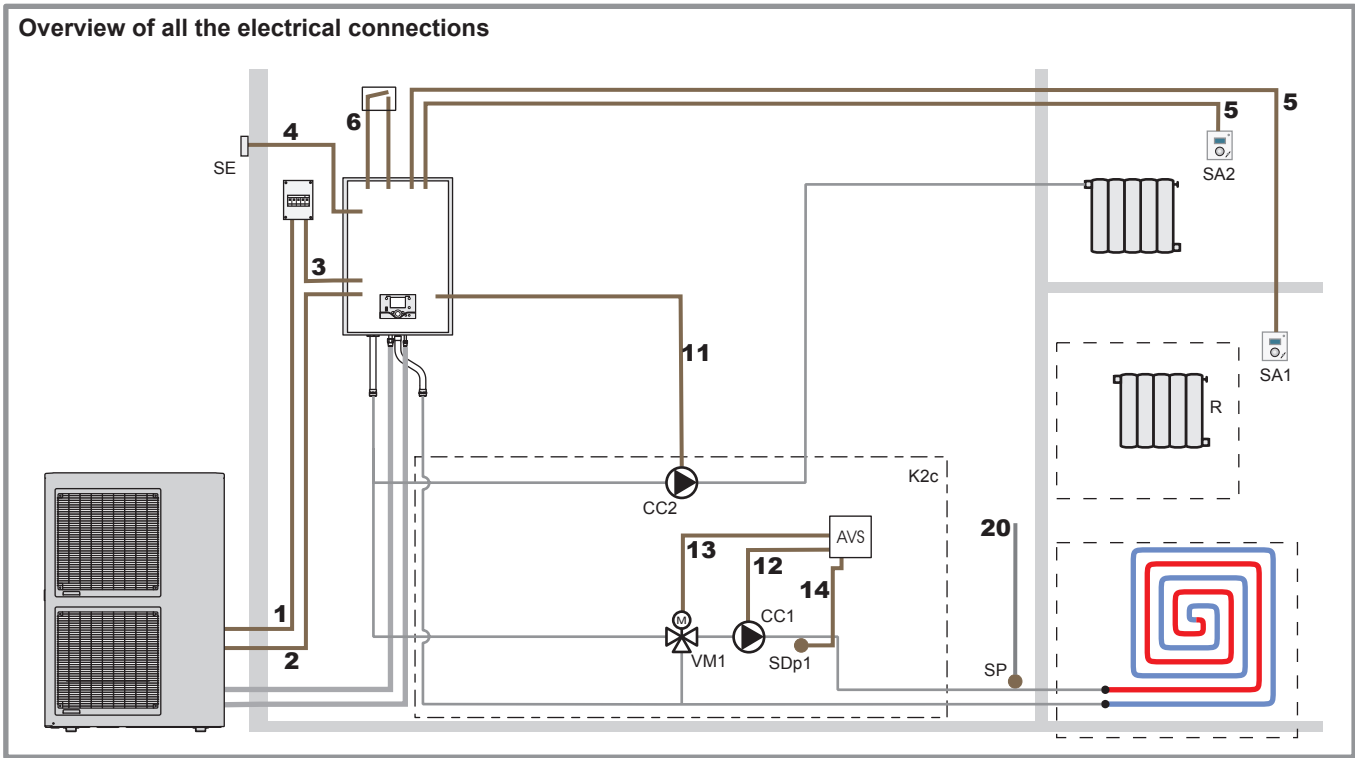
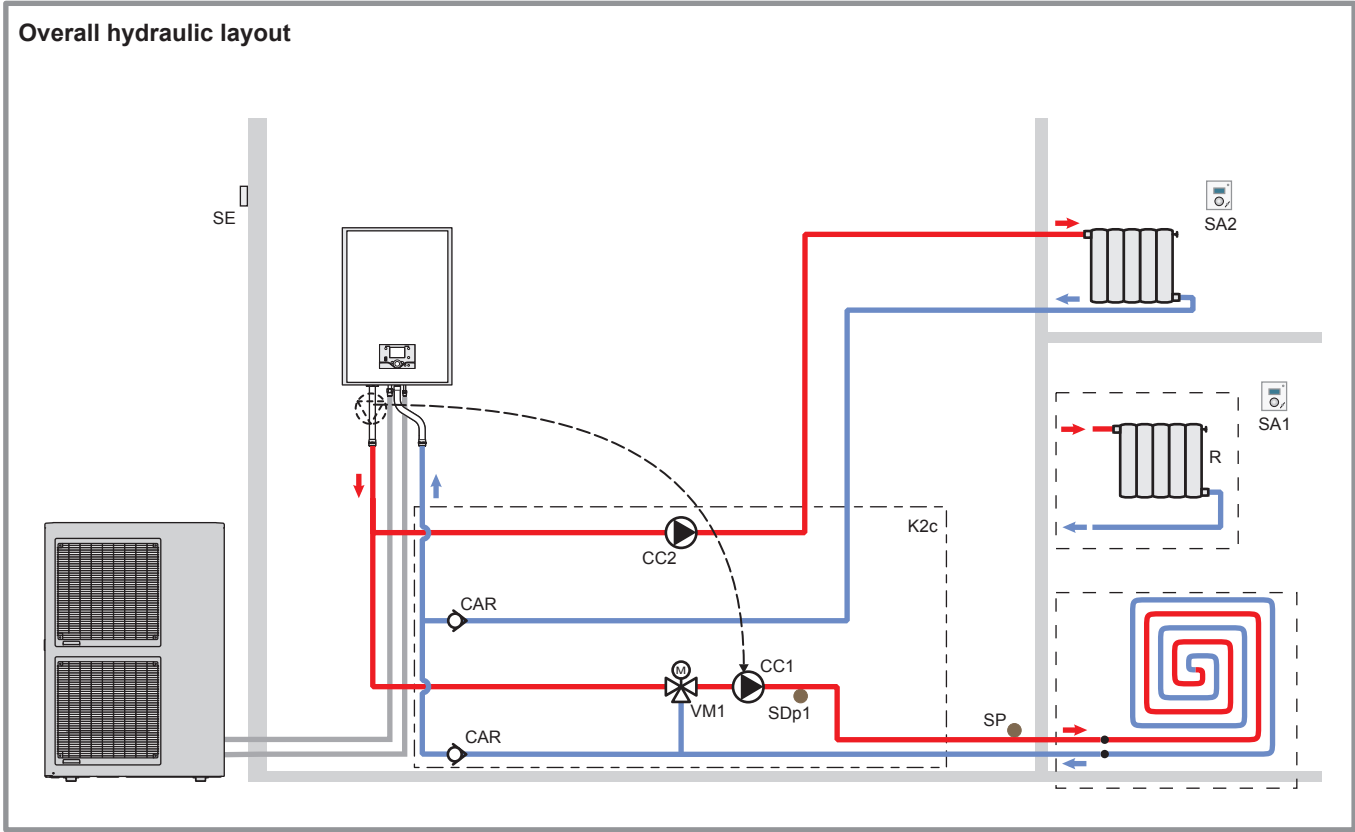


Legend

AE - Electric back-up.	SA - Room thermostat (option).
CAR - Non-return valve.	SE - Outdoor sensor.
CC - Heating circulation pump.	SP - Heated floor thermal safety fuse.
KS - DHW kit.	SSa - DHW sensor.
R - Radiators (or fan convectors).	VD - Distribution valve.

Configuration 3 :
2 heating circuits.

See detailed instructions on page 45.

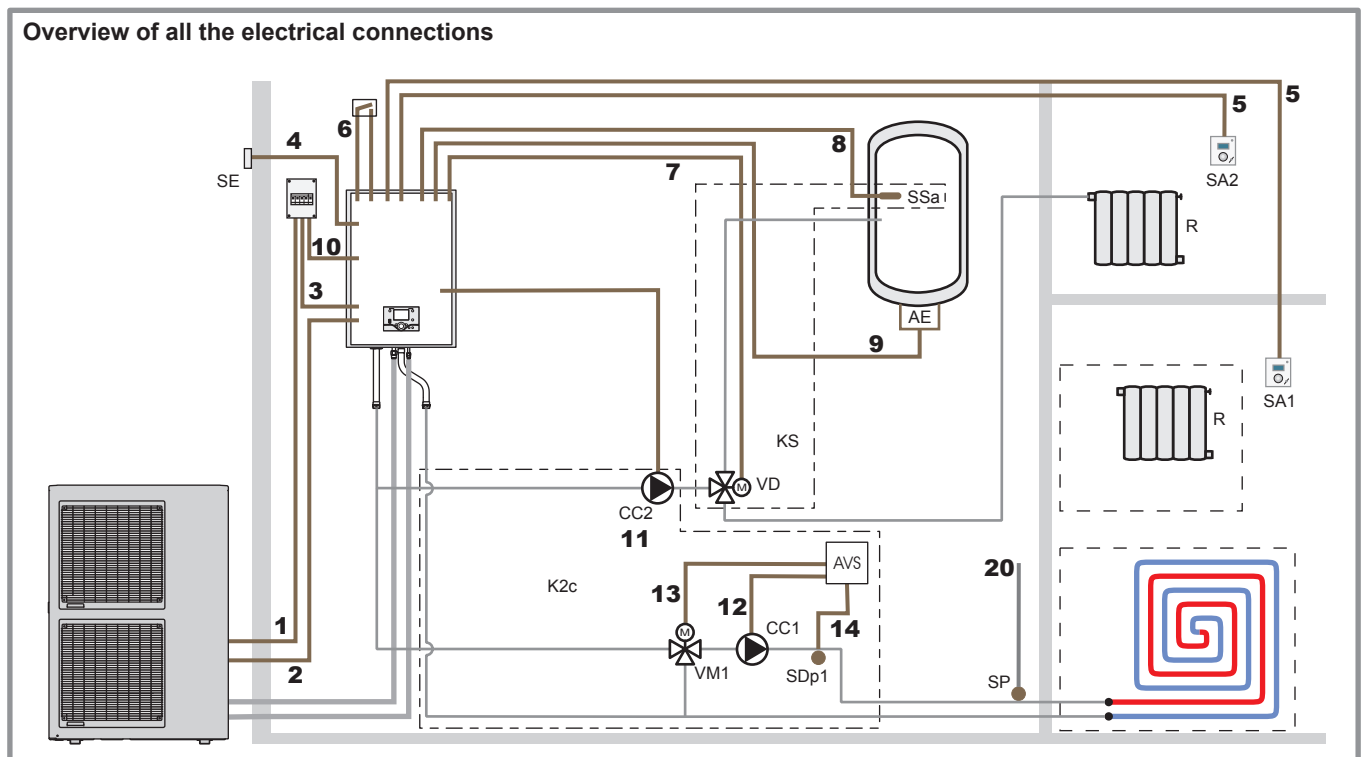
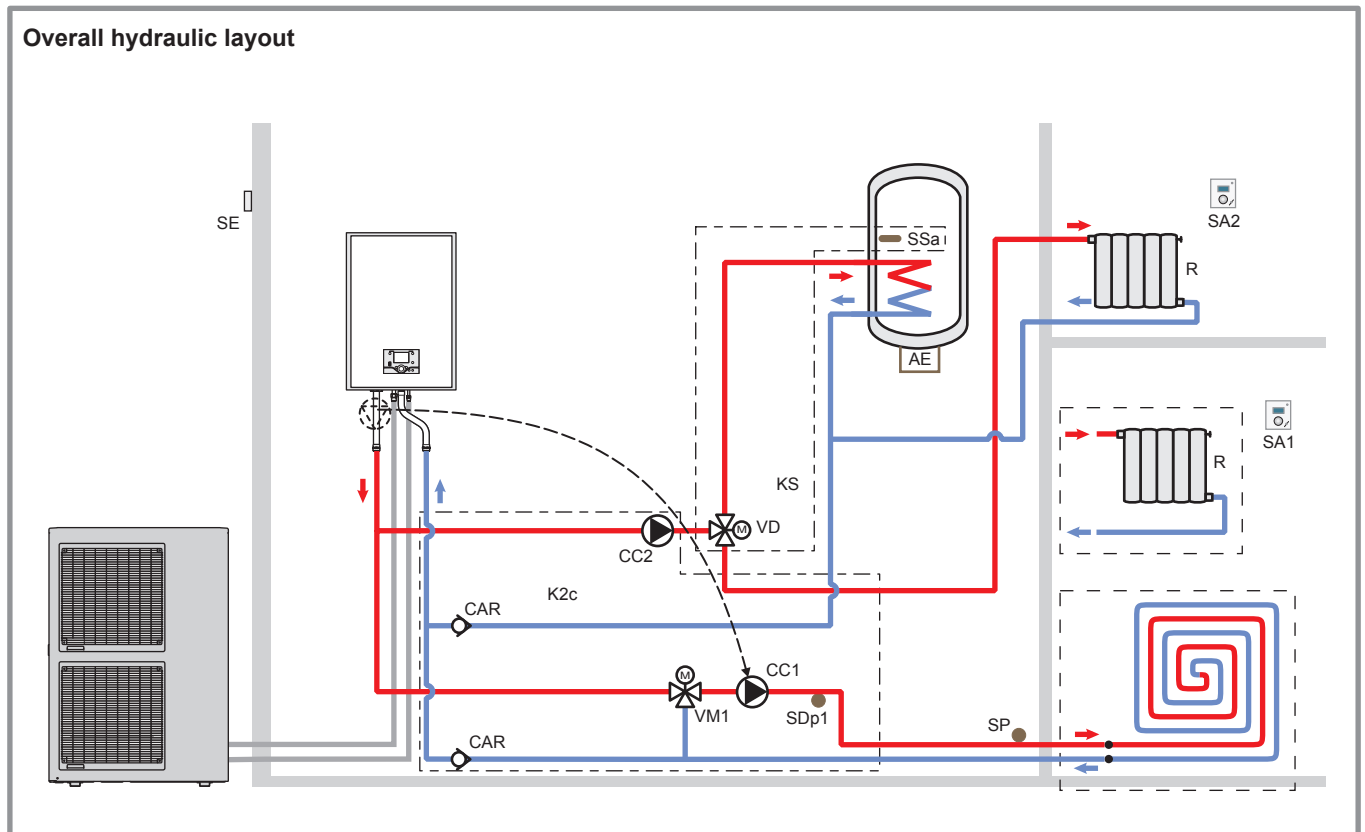


Legend

CAR - Non-return valve.	R - Radiators (or fan convectors).	SP - Heated floor thermal safety fuse.
CC1 - Heating circulation pump, Circuit 1 (Remote heat pump circulation pump).	SA1 - Room thermostat, Circuit 1 (option).	VM1 - Mixer valve, Circuit 1.
CC2 - Heating circulation pump, Circuit 2.	SA2 - Room thermostat, Circuit 2 (option).	
K2c - 2 nd circuit kit.	SDp1 - Flow sensor, Circuit 1.	
	SE - Outdoor sensor.	

Configuration 4 :
2 heating circuits and DHW tank.

➤ See detailed instructions on page 45.



Legend		
AE - Electric back-up.	K2c - 2 nd circuit kit.	SDp1 - Flow sensor, Circuit 1.
CAR - Non-return valve.	KS - DHW kit.	SE - Outdoor sensor.
CC1 - Heating circulation pump, Circuit 1 (Remote heat pump circulation pump).	R - Radiators (or fan convectors).	SSa - DHW sensor.
CC2 - Heating circulation pump, Circuit 2.	SA1 - Room thermostat, Circuit 1 (option).	SP - Heated floor thermal safety fuse.
	SA2 - Room thermostat, Circuit 2 (option).	VD - Distribution valve.
		VM1 - Mixer valve, Circuit.

5 Electrical wiring diagrams

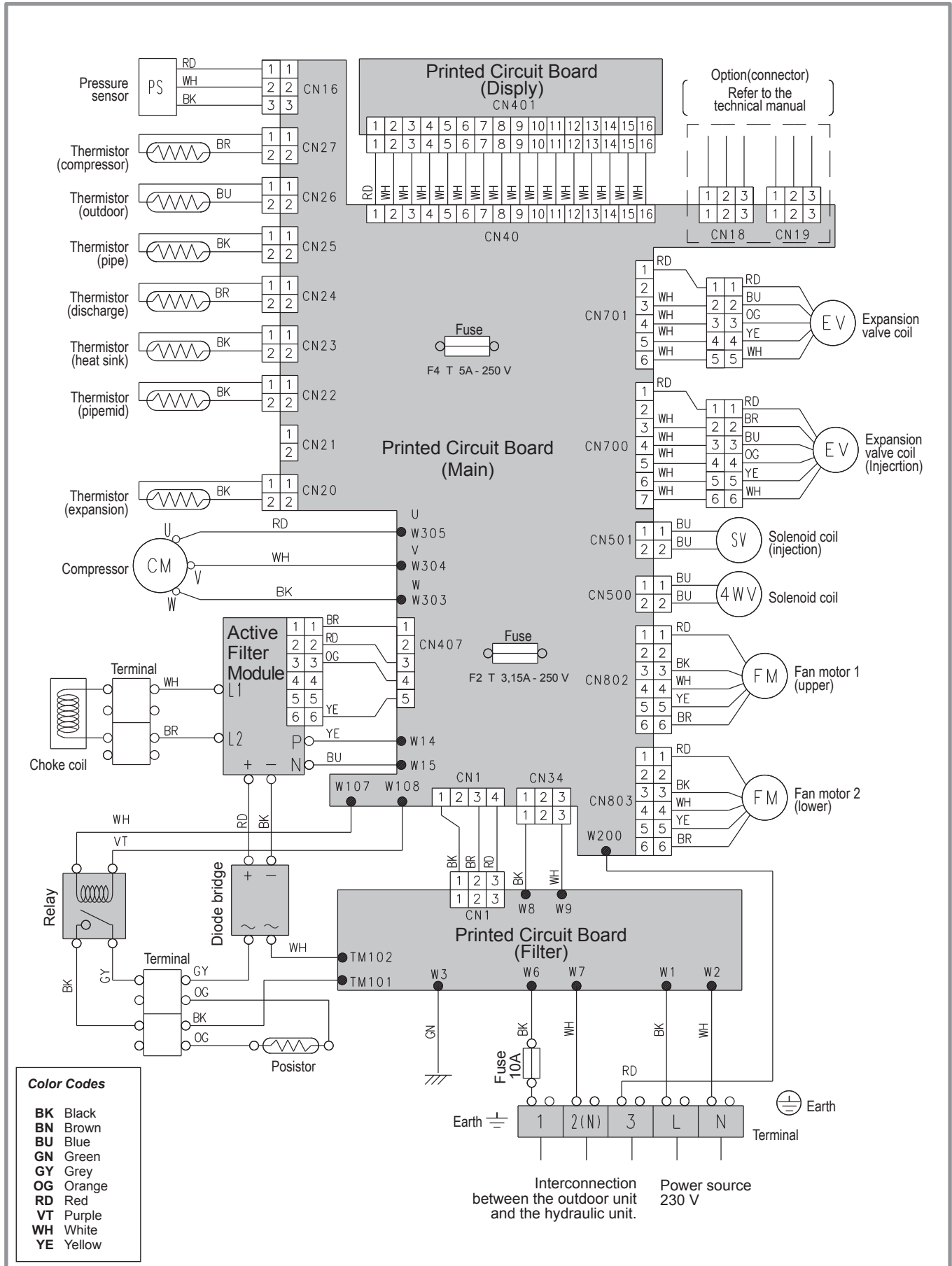


figure 42 - Electrical wiring of outdoor unit

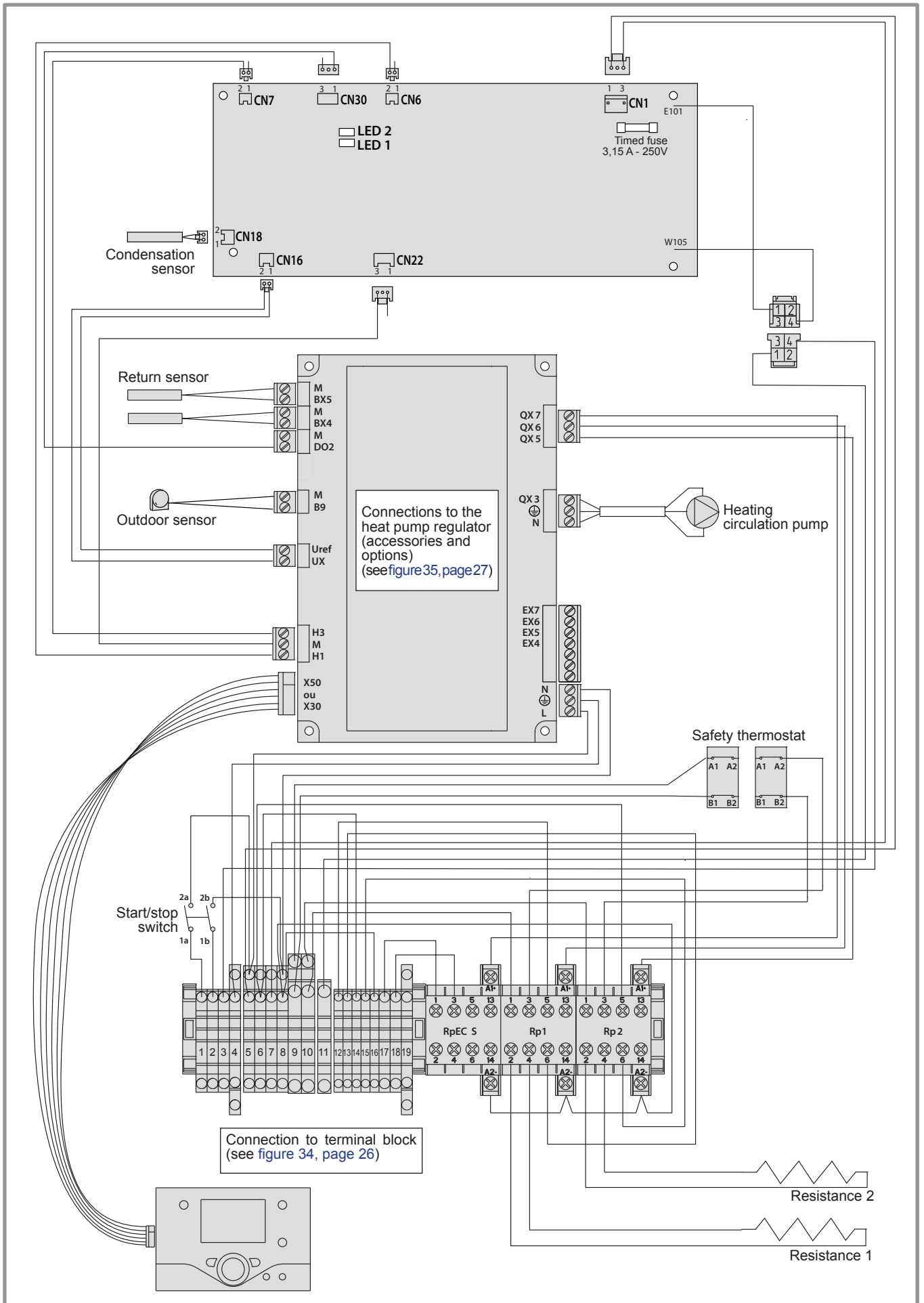



figure 43 - Electrical wiring, Hydraulic unit (Except installer's connections)

6 Troubleshooting

Depending on whether the fault comes from the outdoor unit or the hydraulic unit, the fault may be indicated by the digital display or the diode on the interface cards.

6.1 Information display

Various data can be displayed by pressing the  info button.

Depending on the type of unit, configuration and operating state, some of the info lines listed below may not appear.


- Possible error messages from the error code list (see table, [page 53](#)).
- Possible service messages from the maintenance code list.
- Possible special mode messages.
- Various data (see below).


<i>Designation</i>	<i>Line</i>
Floor drying current setpoint .	-
Current drying day.	-
Terminated drying days.	-
State heat pump.	8006
State supplementary source.	8022
State DHW.	8003
State swimming pool.	8011
State heating circuit 1.	8000
State heating circuit 2.	8001
State cooling circuit 1.	8004
Outdoor temperature.	8700
Room temperature 1.	8740
Room setpoint 1.	
Flow temperature 1.	8743
Flow temperature setpoint1.	
Room temperature 2.	8770
Room setpoint 2.	
Flow temperature 2.	8773
Flow temperature setpoint 2.	
DHW (domestic hot water) temperature.	8830
Heat pump return temperature.	8410
Setpoint (return) HP.	
Heat pump flow temperature.	8412
Setpoint (flow) HP.	
Swimming pool temperature.	8900
Swimming pool temperature setpoint.	

- ☞ **Ensure that the general electrical power supply has been cut off before starting any repair work.**
- ☞ **When the HP is not under tension, protection frost-free is not assured.**

6.2 Faults displayed on hydraulic unit

Faults or breakdowns on the hydraulic mode are indicated by the display on the user interface.

The display shows the “Bell” symbol .

Press the Info key  for more details on the origin of the fault.

When the error has been resolved, the faults are re-initialised at zero automatically.

Hydraulic unit : Fault visible on the digital display.

Error number	Error contents	Error location	Heat pump operation despite the error
-	No connection.	Failure to comply with room thermostat's polarity.	No
10	Outdoor sensor.	B9	Yes with OT = 0 °C
33	Heat pump initial temperature sensor error.	B21	Yes
44	Heat pump return temperature sensor error.	B71	Yes
50	DHW temperature sensor.	B3	Yes
60	Ambient temperature sensor 1.		Yes
65	Ambient temperature sensor 2.		Yes
105	Maintenance message.		Yes
121	Flow temperature for HC1 not reached.		Yes
122	Flow temperature for HC2 not reached.		Yes
127	Anti-legionella temperature not reached.		Yes
369	External fault (safety component).		No
370	Outdoor unit connection error (In the start phase, see the para. “Start-up”).	See page 54 .	No

Hydraulic unit : Flashing of the diode visible on the interface card.

Diodes display		Error contents
LED 2 (green)	LED 1 (red)	
1 Flash	1 Flash	Communication error between Hydraulic unit and Outdoor unit.
4 Flashes	1 Flash	Heat pump capacity signal error (Open or short).
4 Flashes	2 Flashes	Hydraulic unit heat-exchange thermistor Error.
6 Flashes	3 Flashes	Inverter error.
6 Flashes	4 Flashes	Active filter error.
7 Flashes	1 Flash	Discharge thermistor error.
7 Flashes	2 Flashes	Compressor thermistor error.
7 Flashes	3 Flashes	Heat-exchange thermistor (outlet) error. Heat-exchange thermistor (intermediate) error.
7 Flashes	4 Flashes	Outdoor thermistor error.
7 Flashes	7 Flashes	Heat sink thermistor error.
7 Flashes	8 Flashes	Expansion valve thermistor error.
8 Flashes	4 Flashes	Current sensor error.
8 Flashes	6 Flashes	Pressure sensor error. Pressure switch error.
9 Flashes	4 Flashes	Current trip.
9 Flashes	5 Flashes	Detection of compressor position error. Compressor start up error.
9 Flashes	7 Flashes	Outdoor unit fan motor error.
10 Flashes	1 Flashes	Discharge temperature protection.
10 Flashes	3 Flashes	Compressor temperature protection.
10 Flashes	5 Flashes	Low pressure abnormal.
Continuous flashing (1 sec On / 1 sec Off)		Pump down operation.
Continuous lighting	Off	Defrosting.

6.3 Faults displayed on the outdoor unit

To access the electronic board, you must remove the front (right-hand) facing from the outdoor unit.

Faults are coded by diode flashes.

When an error occurs :

- The diode "**ERROR**" (2) blinks.
- Press once on the switch "**ENTER**" (SW3).
- The "**ERROR**" (2) diode blinks several times depending on the error's type (see below).

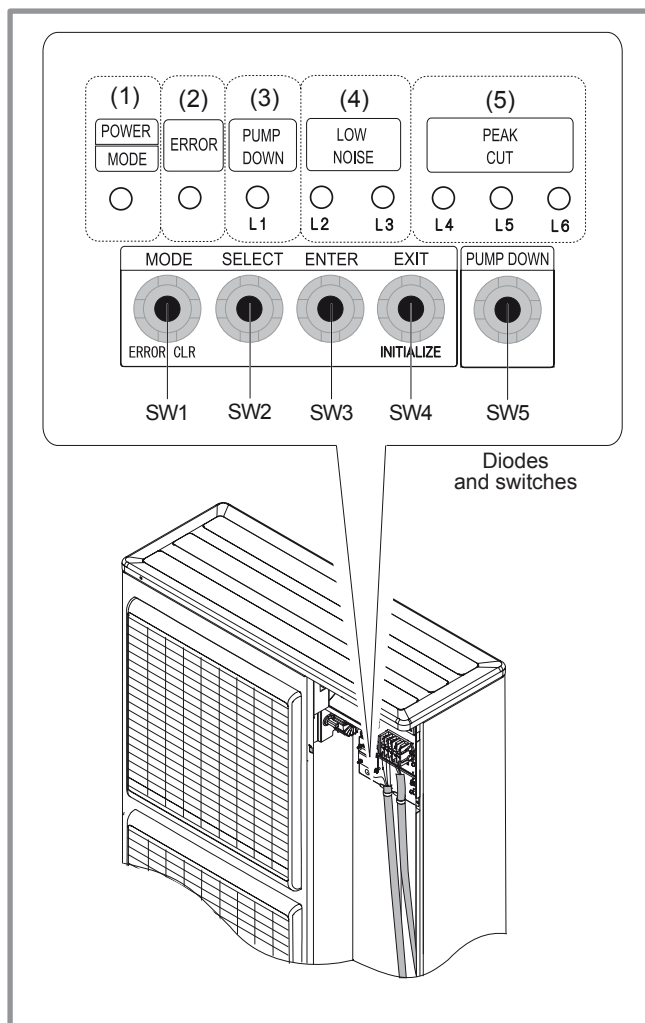


figure 44 - Location of switches and diodes on outdoor unit

Diode display	Error contents
1 Flash	Serial forward transfer error.
2 Flashes	Discharge thermistor error.
3 Flashes	Pressure sensor error.
4 Flashes	Heat-exchange thermistor (outlet) error.
5 Flashes	Heat-exchange thermistor (intermediate) error.
6 Flashes	Expansion valve thermistor error.
7 Flashes	Outdoor temperature thermistor error.
8 Flashes	Compressor thermistor error.
9 Flashes	Heat sink thermistor error.
11 Flashes	Discharge temperature protection (permanent stoppage).
12 Flashes	Compressor temperature protection (permanent stoppage).
13 Flashes	Current trip (permanent stoppage).
14 Flashes	Detection of compressor position error (permanent stoppage).
15 Flashes	Compressor start up error (permanent stoppage).
16 Flashes	Fan motor (1) error (permanent stoppage).
17 Flashes	Fan motor (2) error (permanent stoppage).
18 Flashes	Inverter error.
19 Flashes	Active filter error.
20 Flashes	Low pressure abnormal.
21 Flashes	Connection with hydraulic unit error.
22 Flashes	Hydraulic unit abnormality condition.

7 Quick-start procedure

Before switching on the hydraulic unit :

- Check the electric wiring.
- Check the refrigeration circuit and make sure the gas supply has been performed.
- Check the pressure of the hydraulic circuit (1-2 bar), check that the heat pump is purged, and the rest of the installation.
- Make sure that ALL DIP SW on the interface card are OFF before starting up.

7.1 Start-up check-list

7.1.1 Before starting-up

• Sight checks

Outdoor unit (see chapter "Installation of the outdoor unit" page 12).	OK	Non compliant	
Location and fittings, condensate evacuation.			
Compliance with distances from obstacles.			

• Hydraulic checks

Hydraulic unit (see chapter "Installing the hydraulic unit" page 15).	OK	Non compliant	Value
Connection of pipes, valves and pumps (1 or 2 circuits, DHW).			
Installation water volume (expansion vessel of adequate capacity ?).			
No leaks.			
Main system pressure and degassing (0,3bar > expansion vessel pre-loading).			

• Refrigeration connections and checks

(see chapters "Refrigeration connections" page 16 and "filling the installation with gas" page 19).	OK	Non compliant	
Connections between units (pipe length, flare tightening torque...).			
Installation of HP, LP pressure switches on liquid line (small pipe).			
Pump down required.			
Nitrogen leak test (~ 25 bar).			
Refrigerant filling of hydraulic unit and pipes.			
Opening of refrigeration valves to outdoor unit.			

• Electrical checks

Outdoor unit (see chapter "Electrical connections" page 22).	OK	Non compliant	Value
Main power supply 230v .			
Protection by rated circuit breaker.			
Cable cross-section.			
Earth connection.			

Hydraulic unit (see chapter "Electrical connections on the hydraulic unit side" page 25).	OK	Non compliant	
Connection with outdoor unit (phase, neutral, earth).			
Sensors connection (positioning and connections).			
3 way valve and circulators connections.			
Power supply and protection of electric auxiliary.			

7.2 Start-up

- Turn ON the start/stop switch.
- Configure the hydraulic circuit (setting 5700) :
 Presettings :
 1. 1 heating circuit (by default).
 2. 1 heating circuit and DHW tank.
 3. 2 heating circuits.
 4. 2 heating circuits and DHW tank.
 5. Boiler backup and 1 heating circuit.
 6. Boiler backup and 2 heating circuits.
 7. Boiler backup, 1 heating circuit and DHW tank.
 8. Boiler backup, 2 heating circuits and DHW tank.

- Time, Date and time programs for HC1, HC2, DHW if different than default values (settings 500 – 576).
- Adjust the heating curve slope (720 ; 1020) and curve off-set (721 ; 1021).

The heat pump is ready for operation !

You can also :

1. Adjust the heating circuit setpoints if different than default values (710 – 714 ; 1010-1014).
2. Adjust the DHW setpoints if different than default values (1610-1612)
3. Start a legionella cycle (1640-1647).
4. Perform floor drying (850-857).

7.2.1 Starting-up

• Switching On

(see chapter "Star-up" [page 28](#)).

	OK	Non compliant	
Switching On			
Initialisation for a few seconds.			
Operation of the pumps.			
Outdoor unit starts after 3 mins.			

• Outdoor unit checks

	OK	Non compliant	Value
Operation of fan(s), compressor.			
Current measurement.			
After a few minutes, measurement of air temp. delta.			
Check condensation and evaporation pressure/temperature.			

• Hydraulic unit checks

	OK	Non compliant	Value
After 15 mins of operation.			
Primary water temp. delta.			
DHW priority (switching of selection valve).			
Operation of heating, mixing valve, boiler backup, ...			
Control settings.			

• Room control

(see chapter "Configuring the room thermostat" [page 28](#)).

	OK	Non compliant	
Settings, manipulations, checks.			
Setpoint display.			
Explanations on use.			

7.3 Settings sheet

Setting	Description	Set to.	Menus
Preliminary settings			
20	language		<i>operator section</i>
1	hour / minutes		<i>time & date</i>
2	day / month		<i>time & date</i>
3	year		<i>time & date</i>
5700	installation config.		<i>configuration</i>
Heating circuit No. 1 if 2 circuits = the least warm one (e.g.: floor)			
710	comfort setpoint		<i>HC1 adjust.</i>
712	reduced setpoint		<i>HC1 adjust.</i>
720	heating curve slope		<i>HC1 adjust.</i>
741	flow temp setpoint max		<i>HC1 adjust.</i>
750	room influence		<i>HC1 adjust.</i>
790 / 791	optimis. at switch-on / off		<i>HC1 adjust.</i>
834	servomotor travel time		<i>HC1 adjust.</i>
850 / 851	floor drying		<i>HC1 adjust.</i>
501 to 516	time programs		<i>HC1 program.</i>
642 to 648	holiday programs		<i>HC1 hol pgm.</i>
Heating circuit No. 2 (with 2nd circuit option) = the warmest one (e.g.: radiators)			
1010	comfort setpoint		<i>HC2 adjust.</i>
1012	reduced setpoint		<i>HC2 adjust.</i>
1020	heating curve slope		<i>HC2 adjust.</i>
1041	flow temp setpoint max		<i>HC2 adjust.</i>
1050	room influence		<i>HC2 adjust.</i>
1090 / 1091	optimis. at switch-on / off		<i>HC2 adjust.</i>
1134	servomotor travel time		<i>HC2 adjust.</i>
1150 / 1151	floor drying		<i>HC2 adjust.</i>
521 to 536	time programs		<i>HC2 program.</i>
652 to 658	holiday programs		<i>HC1 hol pgm.</i>
Domestic Hot Water (if DHW kit)			
1610	nominal DHW temp. setpoint		<i>DHW</i>
1612	reduced DWH temp. setpoint		<i>DHW</i>
1620	DHW release		<i>DHW</i>
1640 to 1647	legionella cycle		<i>DHW</i>
1660	release DHW circulation		<i>DHW</i>
5020	flow temp. increase		<i>DHW tank</i>
5024	DHW switch-on differ.		<i>DHW tank</i>
5030	charging time limitation		<i>DHW tank</i>
5060	heater operation mode	fill.	<i>DHW tank</i>
5061	heater release		<i>DHW tank</i>
5870	tank present (if DHW kit)		<i>configuration</i>
561 to 576	time programs		<i>prog.4 DHW</i>

Setting	Description	Set to.	Menus
Boiler backup			
3700	OT.switch-on authoris.		<i>addit. gen.</i>
3705	swith-off delay		<i>addit. gen.</i>
Miscellaneous			
6046	input H2 function	9	<i>configuration</i>
6100	OT sensor correction		<i>configuration</i>
6120	frost protection on/off		<i>configuration</i>
6205	reset settings		<i>configuration</i>
6220	software version		<i>configuration</i>
6711	reset heat pump		<i>error</i>
7070 to 7183	maintenance		<i>maintenance</i>
7700 to 7916	input / output testing		<i>I/O testing</i>
8402 to 8457	generator diagnosis		<i>gen. diagn.</i>
8700 to 9055	consumer diagnosis		<i>cons. diagn.</i>
Cooling			
5711	cooling unit	2 pipes	<i>configuration</i>
901 to 969	cooling settings		<i>cooling circuit 1</i>
Faults (if a fault occurs, press"Info" key)			
No. 10	outdoor sensor		
No. 33	flow temp. sensor		
No. 44	return temp. sensor		
No. 50	DHW temp. sensor		
No. 60	room sensor 1		
No. 65	room sensor 2		
No. 105	maintenance message		
No. 121	HC1 flow T not reached		
No. 122	HC2 flow T not reached		
No. 127	leg. prot. T not reached		
No. 369	external fault (EX6)		
No. 370	outdoor unit connect error		
6740 to 6746	alarm timeout		<i>error</i>
6800 to 6818	last 10 alarms history		<i>error</i>
6711	reset heat pump		<i>error</i>
Heat pump			
2844	switch-off temp max		<i>heat pump</i>
2884	OT auth. to start elec. aux.		<i>heat pump</i>
2920	Pk day clear (EX4) rel / lock		<i>heat pump</i>
Swimming pool (with "swimming pool" kit option)			
2056	generator setpoint		<i>Sw pool</i>
Outdoor unit faults (see page 54)			

8 Instructions for the user

Explain to the user how his installation operates, in particular the functions of the room thermostat and the programmes accessible to him from the user interface.

Emphasise that a heated floor has significant inertia and that therefore any adjustments must be made progressively.

Also explain to the user how to check the filling of the heating circuit.



Complies with:

- Low voltage directive 2006/95/EC, under standard EN 60335-1.
- Electromagnetic compatibility Directive 2004/108/EC
- Directive 2006/42/EC Machinery,
- Directive for pressurised equipment 97/23/EC,
- Directive for labelling energy consumption 2002/31/EC

This appliance also conforms to :

- Decree No. 92-1271 (and its modifications) relating to certain refrigeration fluids used in refrigeration and air conditioning equipment.
- Regulation 842/2006 of the european parliament on certain fluorinated greenhouse gases.
- The standards relating to the product and the testing methods used : Air-conditioners, refrigeration units and heat pumps with compressor driven by electric motor for heating and refrigeration EN 14511-1, 14511-2, 14511-3, and 14511-4.
- To standard XP ENV 12102 : Air-conditioners, heat pumps and dehumidifiers with compressor driven by electric motor. Measurement of airborne noise. Determination of acoustic power level.



This appliance is marked with this symbol. This means that electrical and electronic products shall not be mixed with general household waste. European Community countries(*), Norway, Iceland and Liechtenstein should have a dedicated collection system for these products.

Do not try to dismantle the system yourself as this could have harmful effects on your health and on the environment.

The dismantling and treatment of refrigerant, oil and other parts must be done by a qualified installer in accordance with relevant local and national regulations.

This appliance must be treated at a specialized treatment facility for re-use, recycling and other forms of recovery and shall not be disposed of in the municipal waste stream.

Please contact the installer or local authority for more information.

* subject to the national law of each member state

Date of installation :

Contact of your heating technician or your after-sales service.