



CL15GRS – 10
CL15GRS – 15

General Hydraulic DWS

General Hydraulic. General Hydraulic

General Hydraulic

General Hydraulic DWS

1.

1.1.
CL15GRS – 10 (15) –

1.2

- + 110°
- + 40°
- - 220
- - 50
- ±10%
- R 1/2"
- CL15GRS-10 - 90
- CL15GRS-15 - 120
- CL15GRS-10 - 10
- CL15GRS-15 - 15
- Q – 1,1 3/
- CL15GRS-10 – 2,5
- CL15GRS-15 – 3,5

1.3

General Hydraulic DWS

2.

2.1.

General Hydraulic DWS

2.3.

2.4.

2.5.

2.6.

()

1

2.7.

3.

- 10 +50°

4.

4.1.

4.2.

R 1/2"

5.

5.1.

(. .1, . .2).

(. .3).

(. .5, . .6).

5.2.

12.1.030-81 CC

90°

(. .4).

6.

6.1.

• - off - (. .7)

• **II** - auto - (. .8)

• **I** - manual - (. .9). manual,

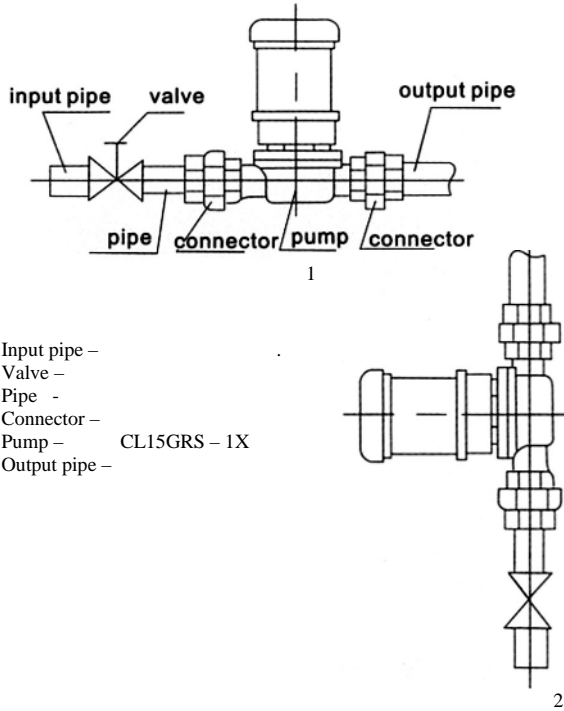
7.
 7.1.
 -
 -
 (20-30).
 -
 -
 7.2.
 -
 ().
 7.3.
 -
 -
 7.4.
 -
 -
 -

8.
 -
 -12
 -
 (,)
 -
 General Hydraulic
 -
 General Hydraulic. (,)
 8.1.
 ,
 -
 ;
 -
 -
 ;
 -
 ;
 ;
 ;

General Hydraulic
 General Hydraulic

8.2. **General Hydraulic.**
 → 129110, - , .16, .1
 « », 9 ,7 , 7074-7076
 / ::(495) 937-2201/ 42
 → - 192029, - , .70/2
 .(812)740-7362/ 63
 → - - 344010, - , .60/348
 ::(863)227-61-41/ 42/ 43/ 44
 → 350010, . , .5, « »
 ::(861)210-12-91/ 92/ 93
 → 630052, . , .35 .(383) 362-0203/04
 → 623700,
 15 , " , ::(343) 345-2277
 → 443070, . , .17 1 ::(864)266-6502/ 03
 → 420095, . , .100, . 209 ::(843)555-80-90
 → 625014, . .6 ::(3452) 49-49-17

<p>1</p> <p>_____</p> <p>_____</p> <p>_____</p> <p>_____</p>	<p>(. .)</p> <p>_____</p>
<p>2</p> <p>_____</p> <p>_____</p> <p>_____</p> <p>_____</p>	<p>(. .)</p> <p>_____</p>
<p>3</p> <p>_____</p> <p>_____</p> <p>_____</p> <p>_____</p>	<p>(. .)</p> <p>_____</p>



General Hydraulic DwS

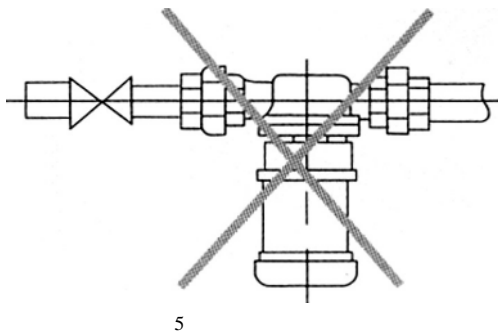


3

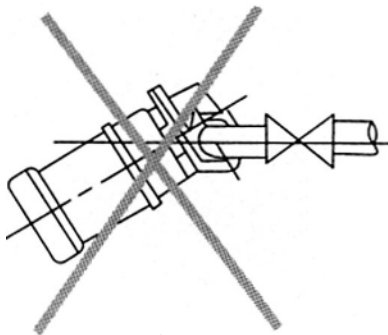


4

General Hydraulic DwS



5



6

General Hydraulic DwS



7



8



9

General Hydraulic DwS