

**SPLIT TYPE ROOM AIR  
CONDITIONER  
FLOOR CONSOLE/  
UNDER CEILING  
DUAL type (50Hz)**

# SERVICE MANUAL

Models	Indoor unit	Outdoor unit
	ABY14AGA-W	AOY14ANH
	ABY14ASB-W	AOY14AGH
	ABY14AWB-W	AOY14RNH
	ABY14RGA-W	AOY14RGH
	ABY14RSB-W	
	ABY14RWB-W	

## C O N T E N T S

SPECIFICATIONS.....	1
OUTLINE AND DIMENSIONS.....	3
CIRCUIT DIAGRAM.....	5
REFRIGERANT SYSTEM DIAGRAM.....	7
P.C. BOARD LAYOUTS.....	8
INDOOR PRINTED CIRCUIT BOARD CIRCUIT DIAGRAM.....	9
DISASSEMBLY ILLUSTRATION.....	13
PARTS LIST.....	21

# S P E C I F I C A T I O N S

TYPE	COOL		COOL & HEAT	
INDOOR UNIT	ABY14AGA-W,ABY14ASB-W,ABY14AWB-W		ABY14RGA-W,ABY14RSB-W,ABY14RWB-W	
OUTDOOR UNIT	AOY14ANH	AOY14AGH	AOY14RNH	AOY14RGH
COOLING CAPACITY (kW)	4,000-4,100		3,950-4,050	
HEATING CAPACITY (kW)	-		4,900-5,000	

## ELECTRICAL DATA

POWER SOURCE (V)	220-240		
FREQUENCY (Hz)	50		
RUNNING CURRENT (A)	COOLING	7.9-8.3	7.6-8.0
	HEATING	-	7.6-8.0
INPUT WATTS (kW)	COOLING	1,670-1,800	1,620-1,760
	HEATING	-	1,610-1,730
EER (kW/kW)	COOLING	2.39-2.28	2.44-2.30
	HEATING	-	3.04-2.89
MOISTURE REMOVAL (ℓ/hr)	1.6		1.6
AIR CIRCULATION-Hi (m <sup>3</sup> /hr)	640		640

## COMPRESSOR

TYPE	Hermetic type. Permanent split condenser, 2 pole, Single phase, Induction motor			
CODE	2KS282D5AA01	QJ282PC24A	2KS282D5AA01	QJ282PC24A
REFRIGERANT R-22 (g)	1,000	1,090	1,050	1,100

## FAN MOTOR

POWER SOURCE (V)	220-240		
INDOOR UNIT	Type	MFA-14CT	MFA-14CT
	HI-SPEED (r.p.m.)	850	850
	MED-SPEED (r.p.m.)	760	760
	LO-SPEED (r.p.m.)	670	670
OUTDOOR UNIT	Type	MFB-14VTB	MFB-14VTB
	FAN SPEED (r.p.m.)	750	750

## DIMENSIONS

INDOOR UNIT	H x W x D (mm)	199 x 990 x 655
OUTDOOR UNIT		530 x 750 x 250

## WEIGHTS

INDOOR UNIT	GROSS / NET (kg)	39/30			
OUTDOOR UNIT		39/37	38/36	40/38	39/37

ADDITIONAL REFRIGERANT CHARGE

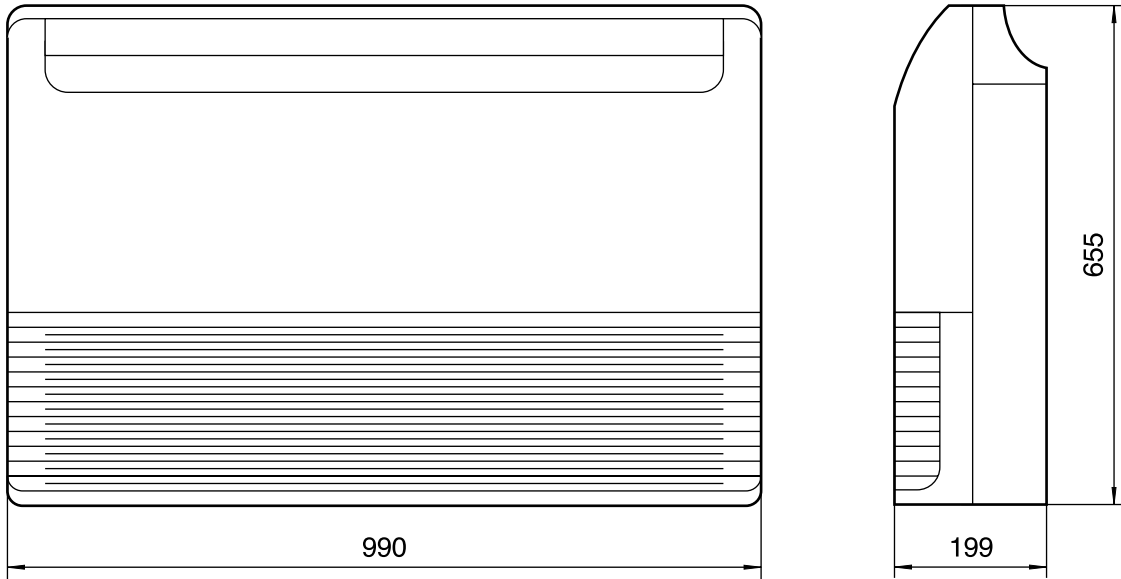
PIPE LENGTH		5m (16ft.)	7m (23ft.)	10m (33ft.)
FULL CHARGE AMOUNT	ABY14AGA-W ABY14ASB-W ABY14AWB-W /AOY14ANH	1,000g (35.3oz)	1,060g (37.4oz)	1,150g (40.6oz)
	ABY14AGA-W ABY14ASB-W ABY14AWB-W /AOY14AGH	1,090g (38.4oz)	1,150g (40.6oz)	1,240g (43.7oz)
	ABY14RGA-W ABY14RSB-W ABY14RWB-W /AOY14RNH	1,050g (37.0oz)	1,110g (39.2oz)	1,200g (42.3oz)
	ABY14RGA-W ABY14RSB-W ABY14RWB-W /AOY14RGH	1,100g (38.8oz)	1,160g (40.9oz)	1,250g (44.1oz)

Note : In the case that 5 m are exceeded, when using a connection pipe other than that in the table, charge additional refrigerant with 30g (1.1 oz)/1 m (3.3 ft.) as the criteria.

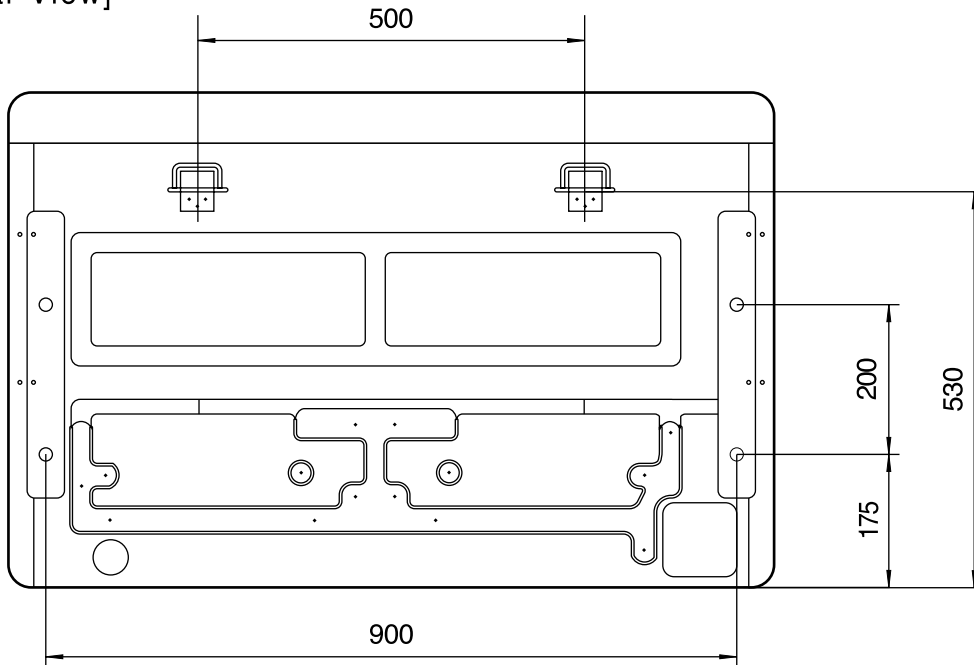
# OUTLINE AND DIMENSIONS

INDOOR UNIT

Unit : mm

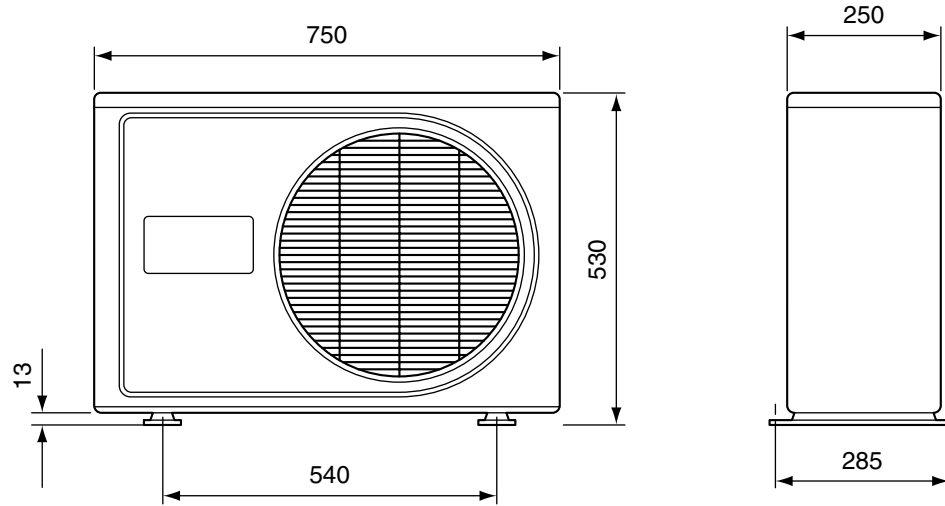


[Rear View]



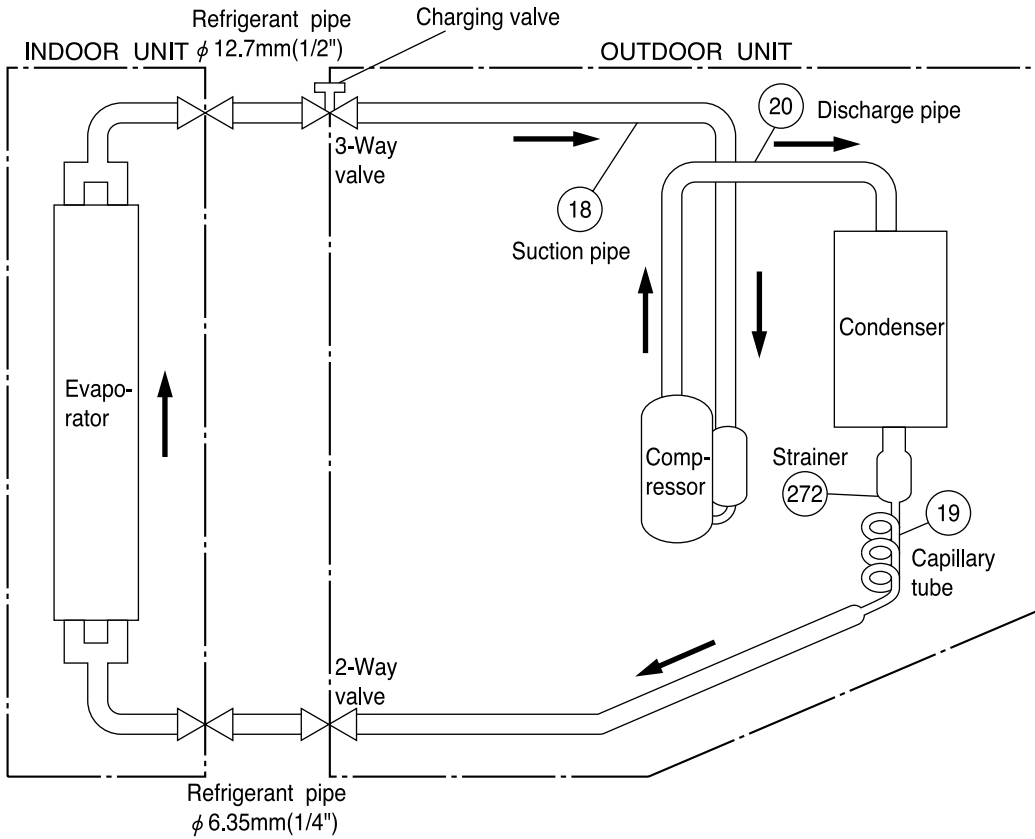
OUTDOOR UNIT

Unit : mm

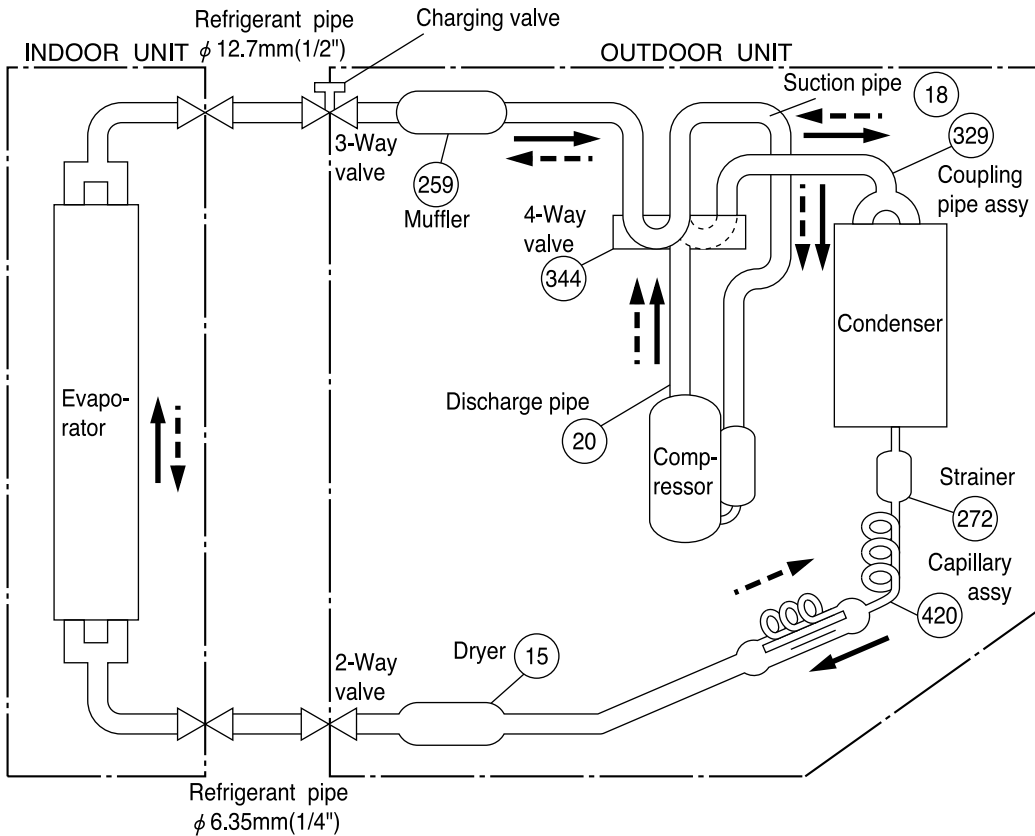


# REFRIGERANT SYSTEM DIAGRAM

Models : ABY14AGA-W / AOY14ANH  
 ABY14ASB-W / AOY14AGH  
 ABY14AWB-W /



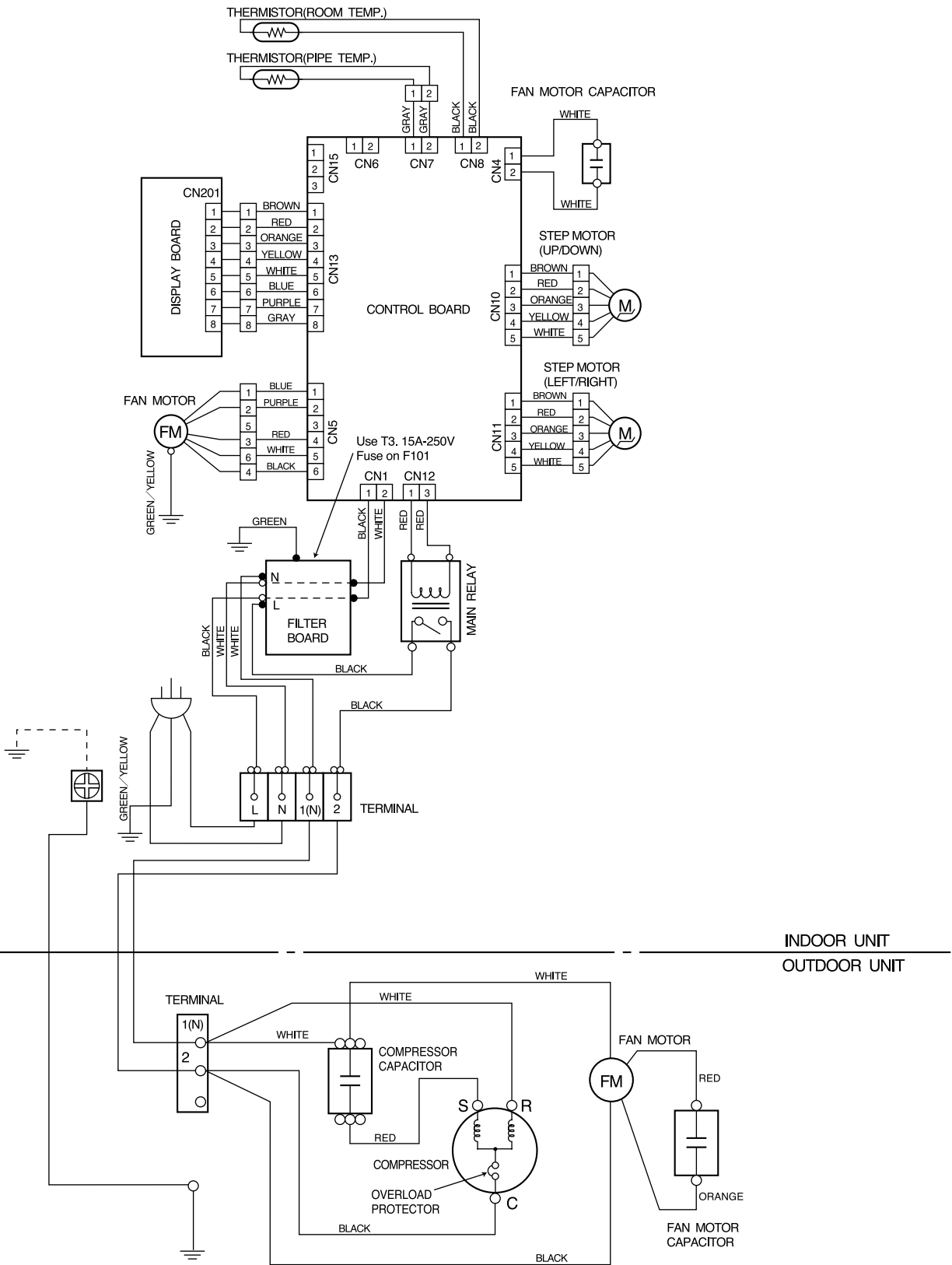
Models : ABY14RGA-W / AOY14RNH  
 ABY14RSB-W / AOY14RGH  
 ABY14RWB-W /



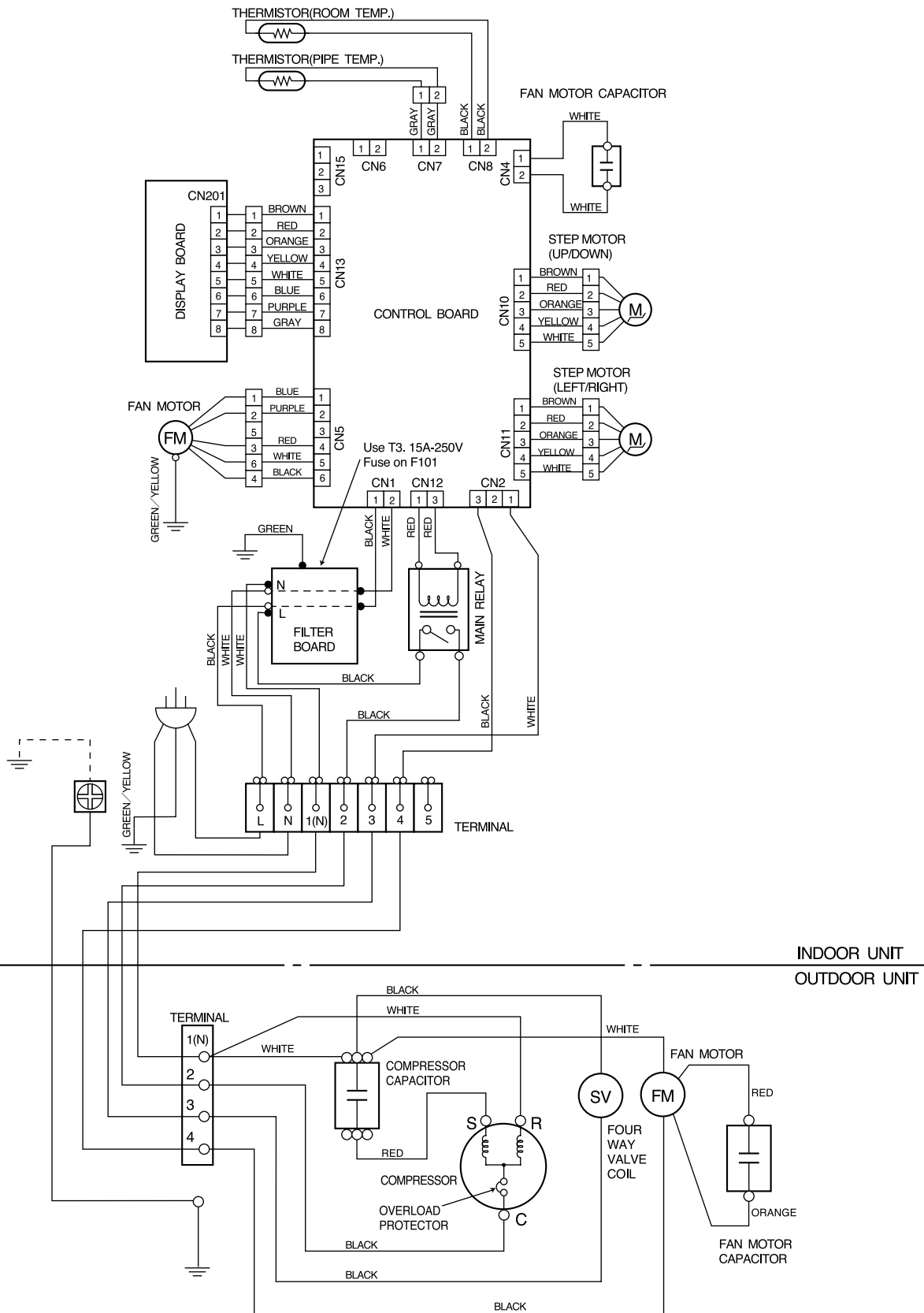
Cooling  $\longrightarrow$   
 Heating  $\dashrightarrow$   
 : Flare coupling

# CIRCUIT DIAGRAM

Models : ABY14AGA-W / AOY14ANH  
 ABY14ASB-W / AOY14AGH  
 ABY14AWB-W



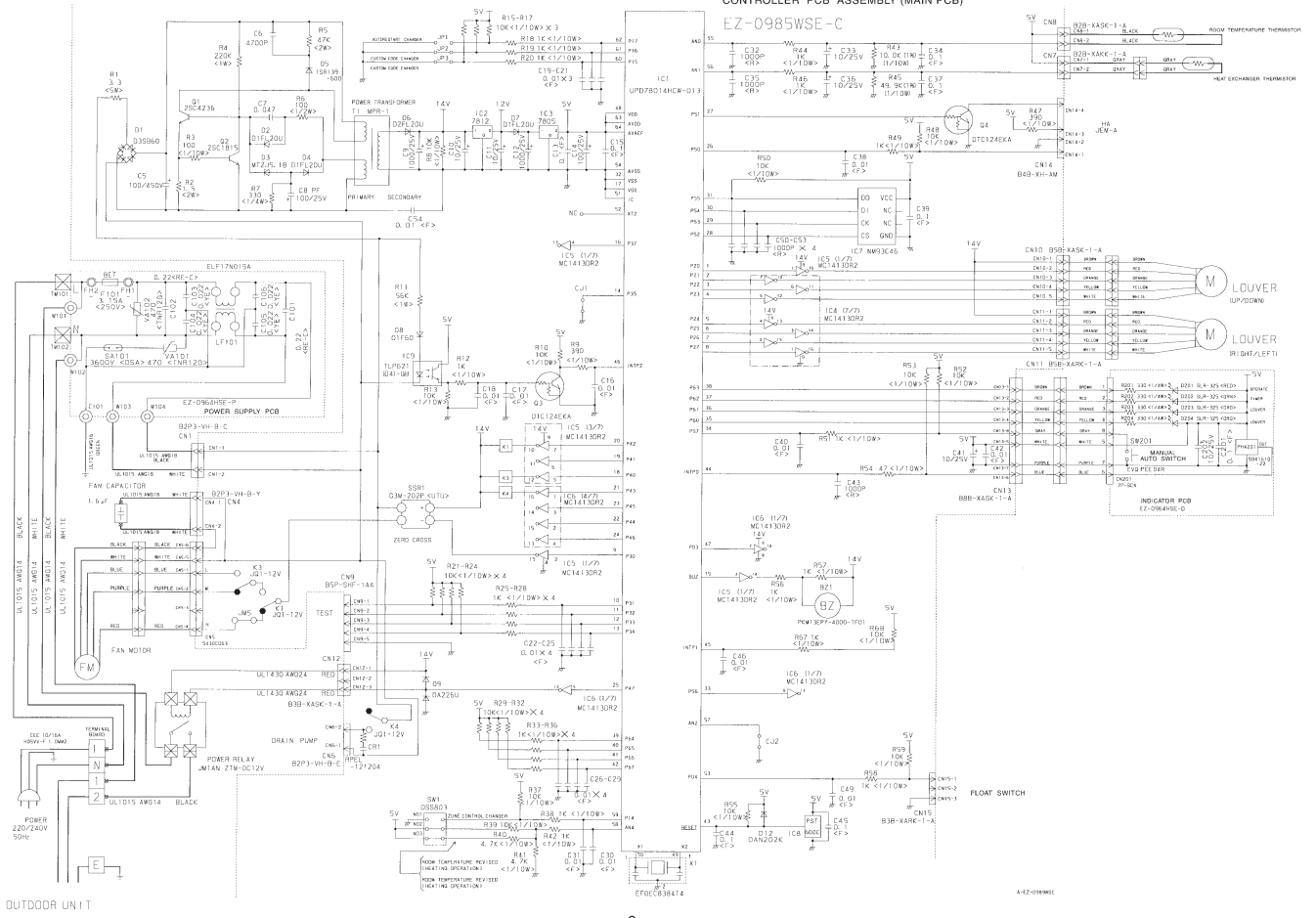
Models : ABY14RGA-W / AOY14RNH  
 ABY14RSB-W / AOY14RGH  
 ABY14RWB-W



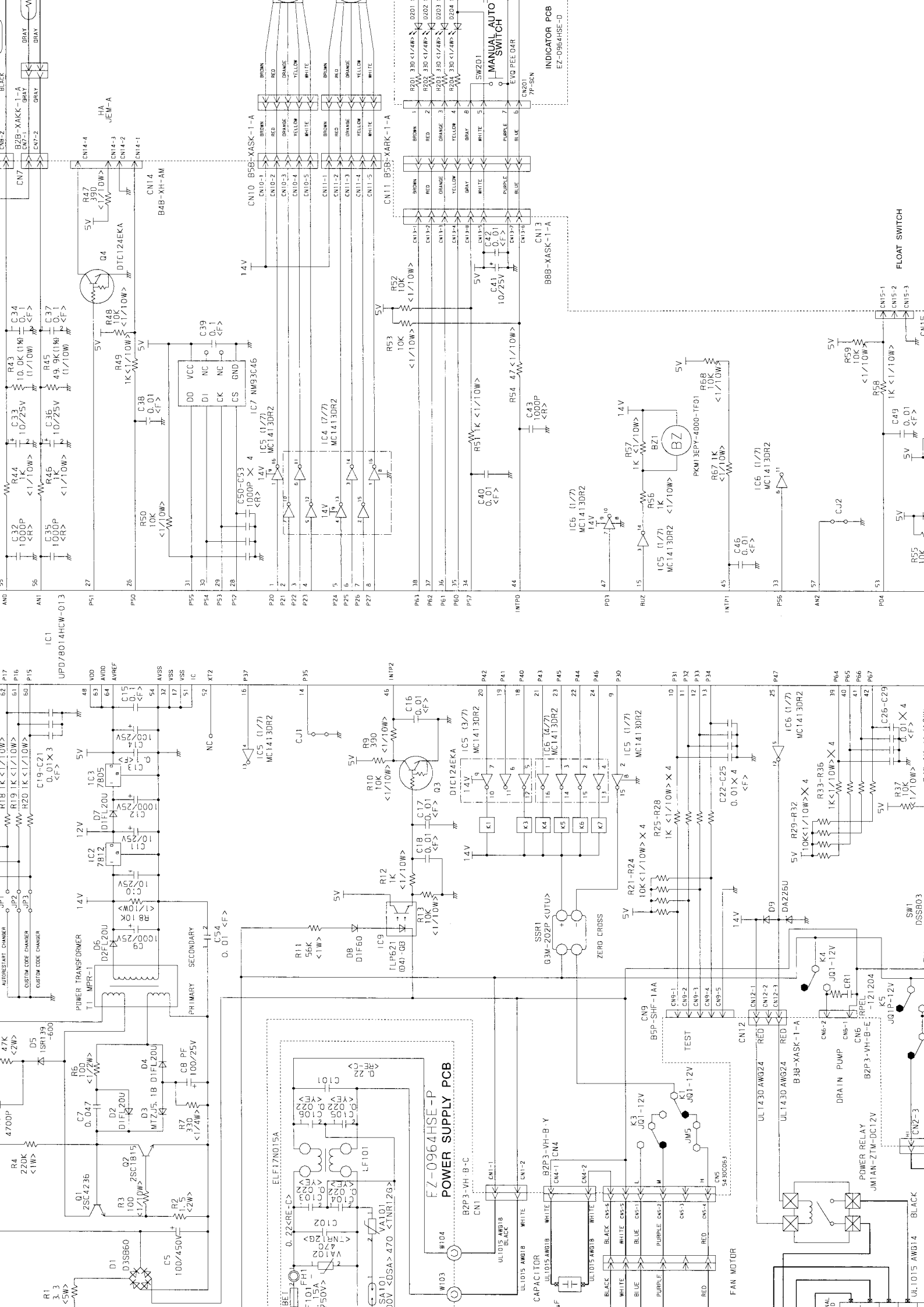


# INDOOR PRINTED CIRCUIT BOARD CIRCUIT DIAGRAM

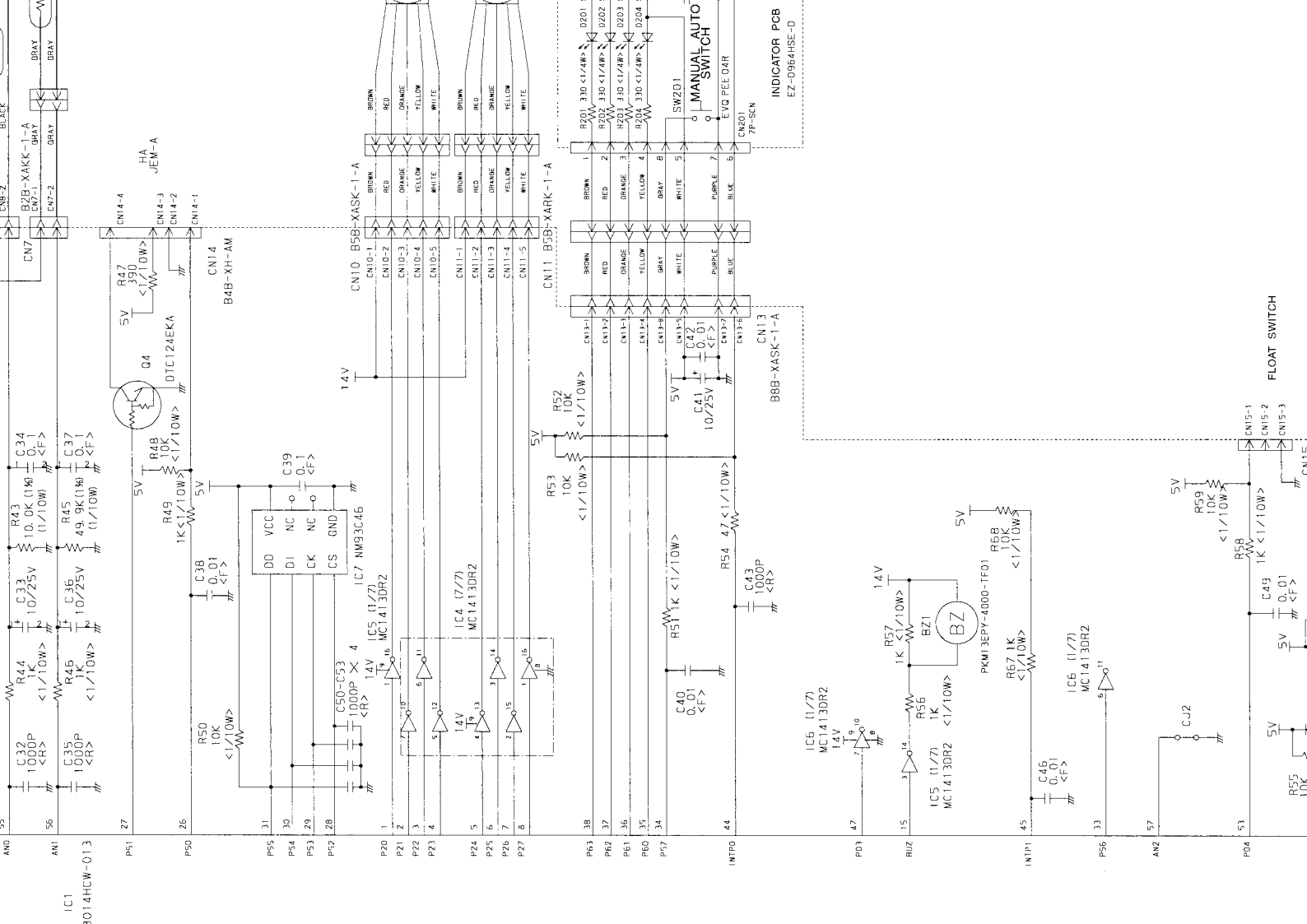
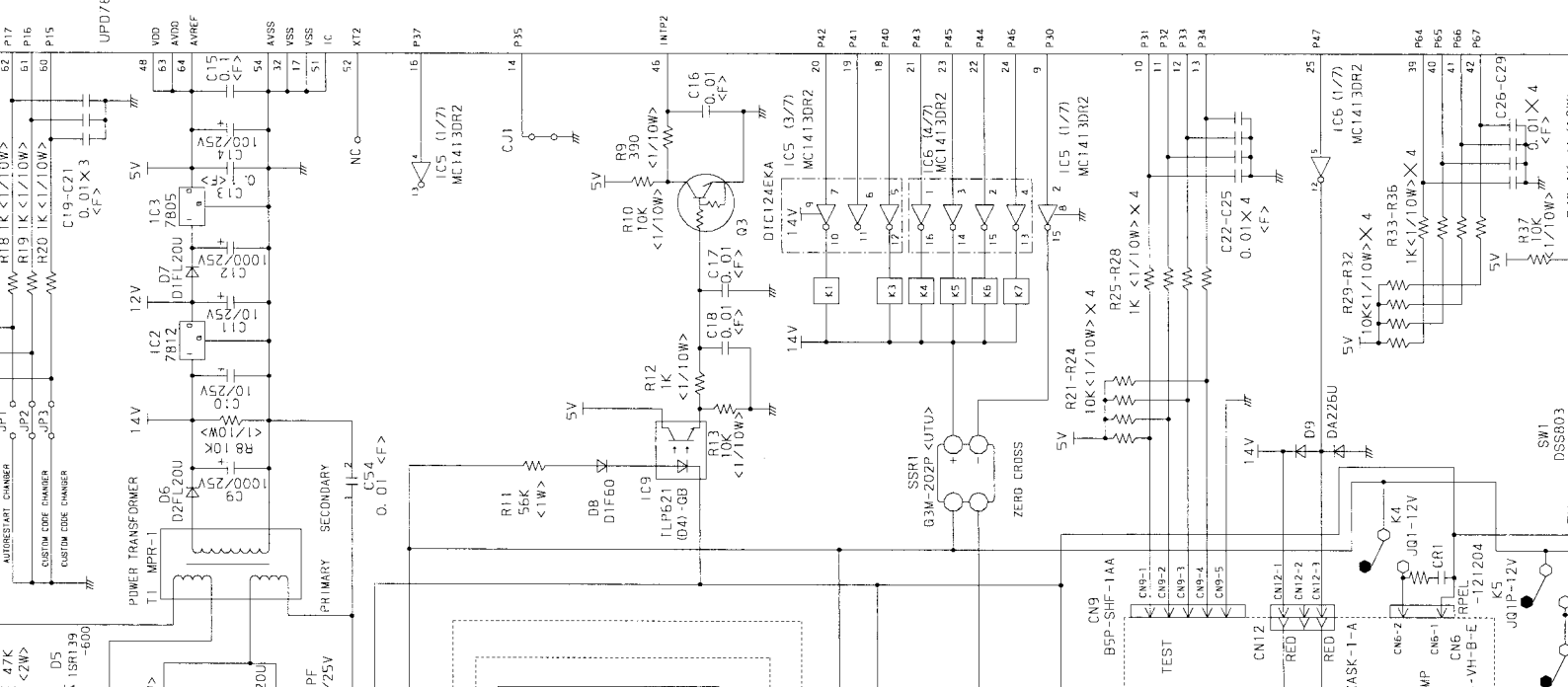
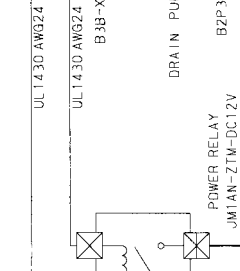
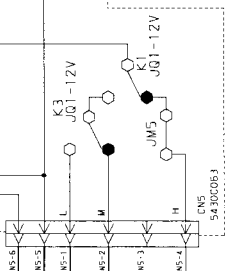
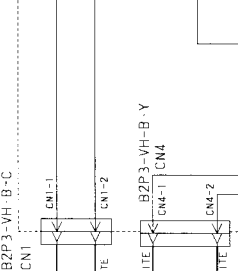
: ABY14AGA-W

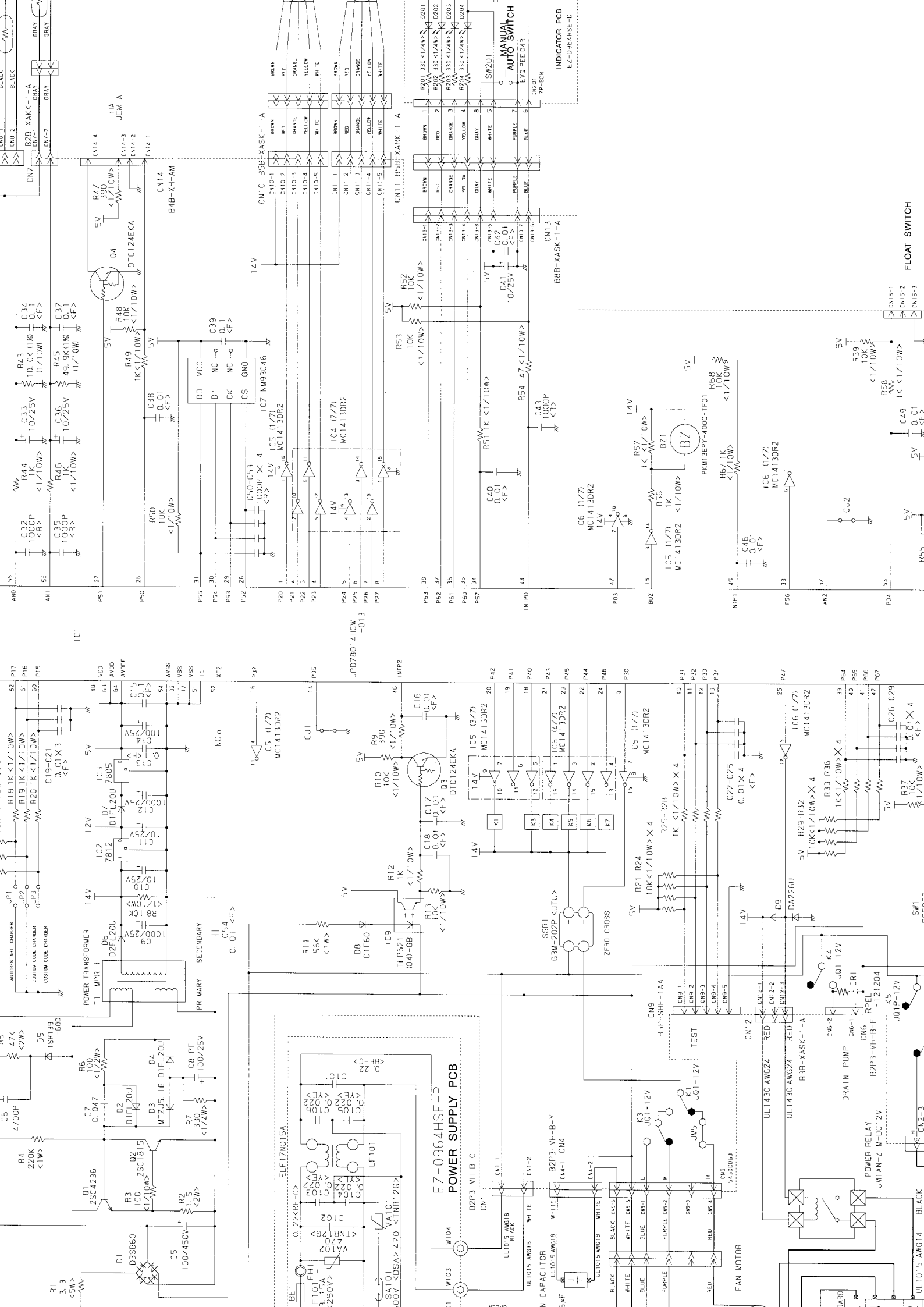




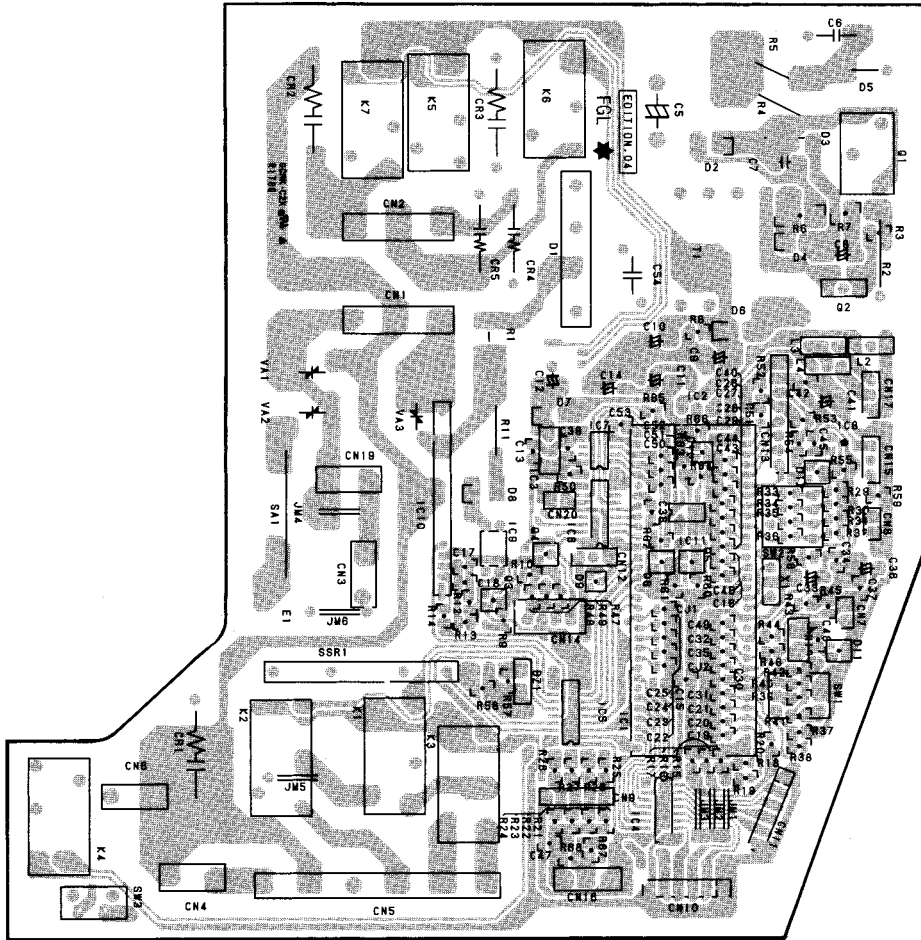


**EZ-0964HSE-P  
POWER SUPPLY PCB**

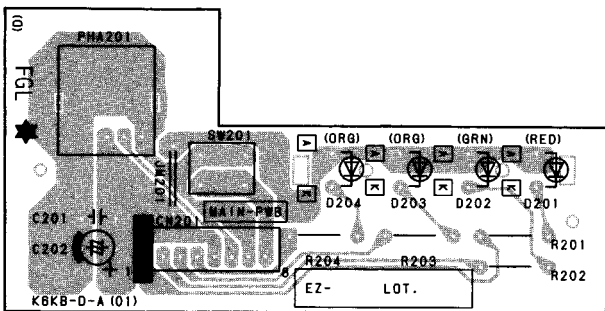




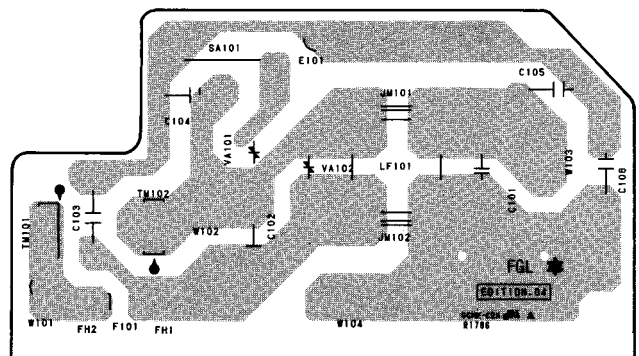
P.C. BOARD LAYOUTS  
 CONTROLLER P.C.BOARD ASSEMBLY  
 (Viewed from the solder side)



INDICATOR P.C.BOARD ASSEMBLY  
 (Viewed from the solder side)

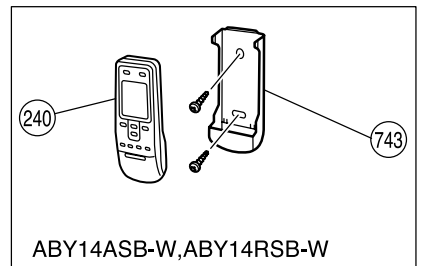
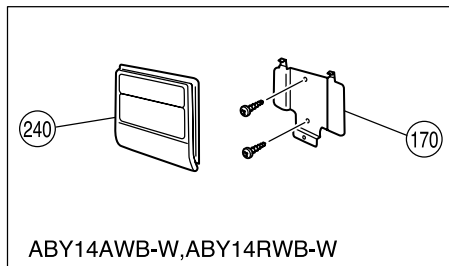
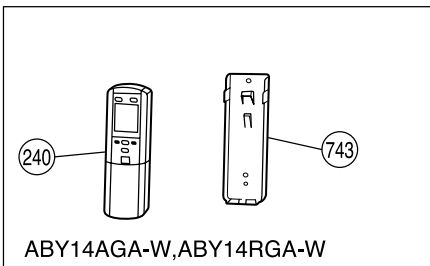
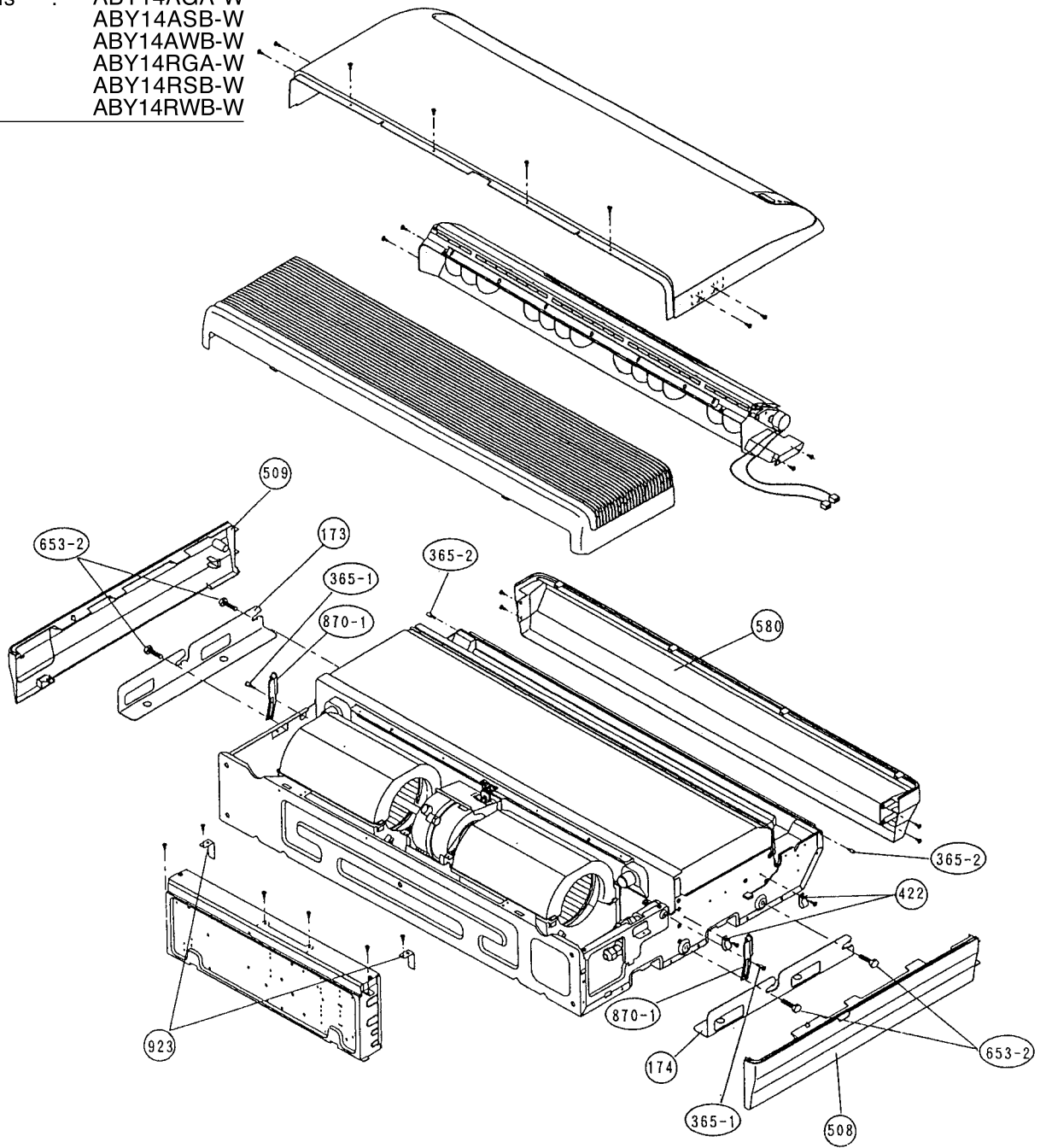


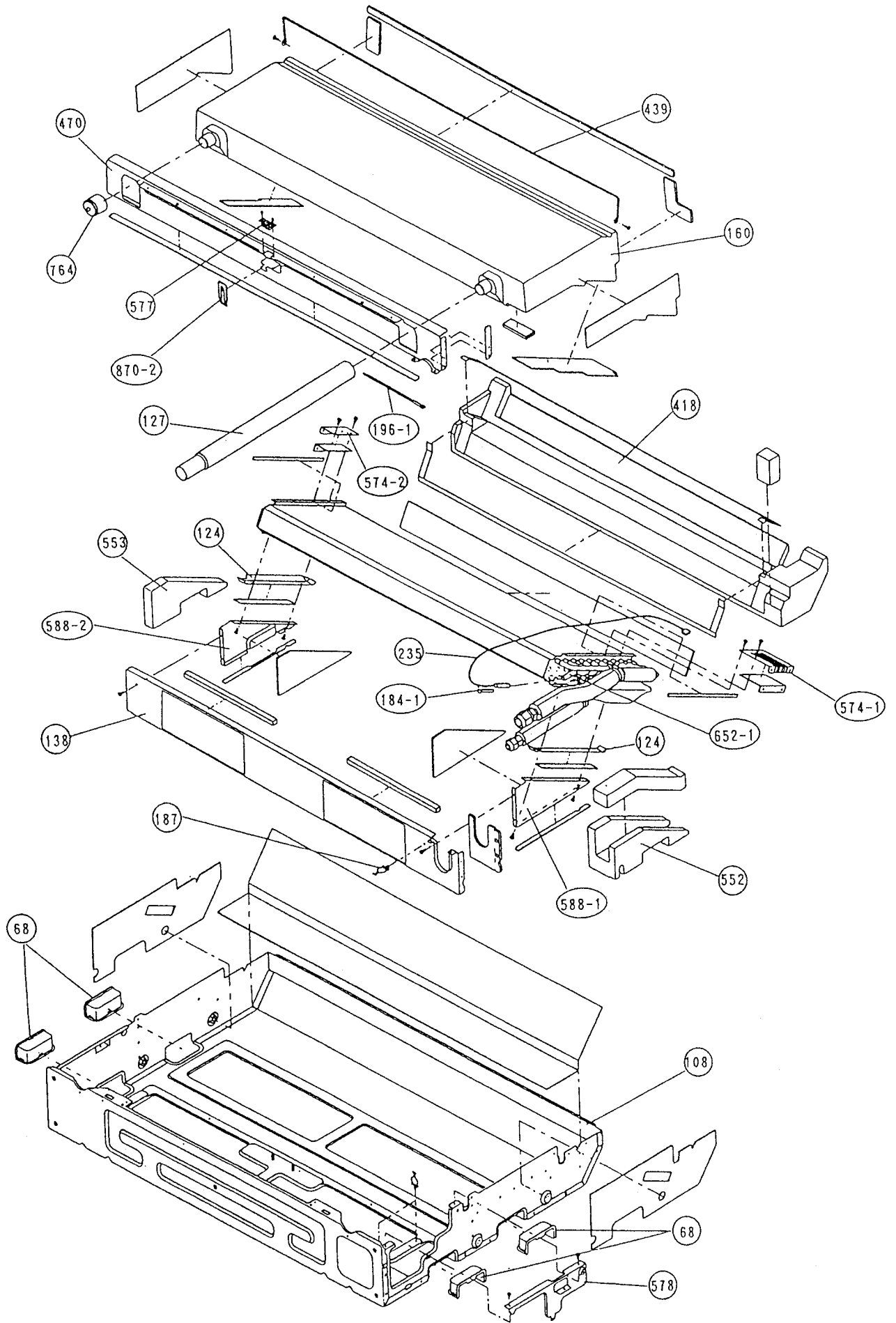
FILTER P.C.BOARD ASSEMBLY  
 (Viewed from the solder side)

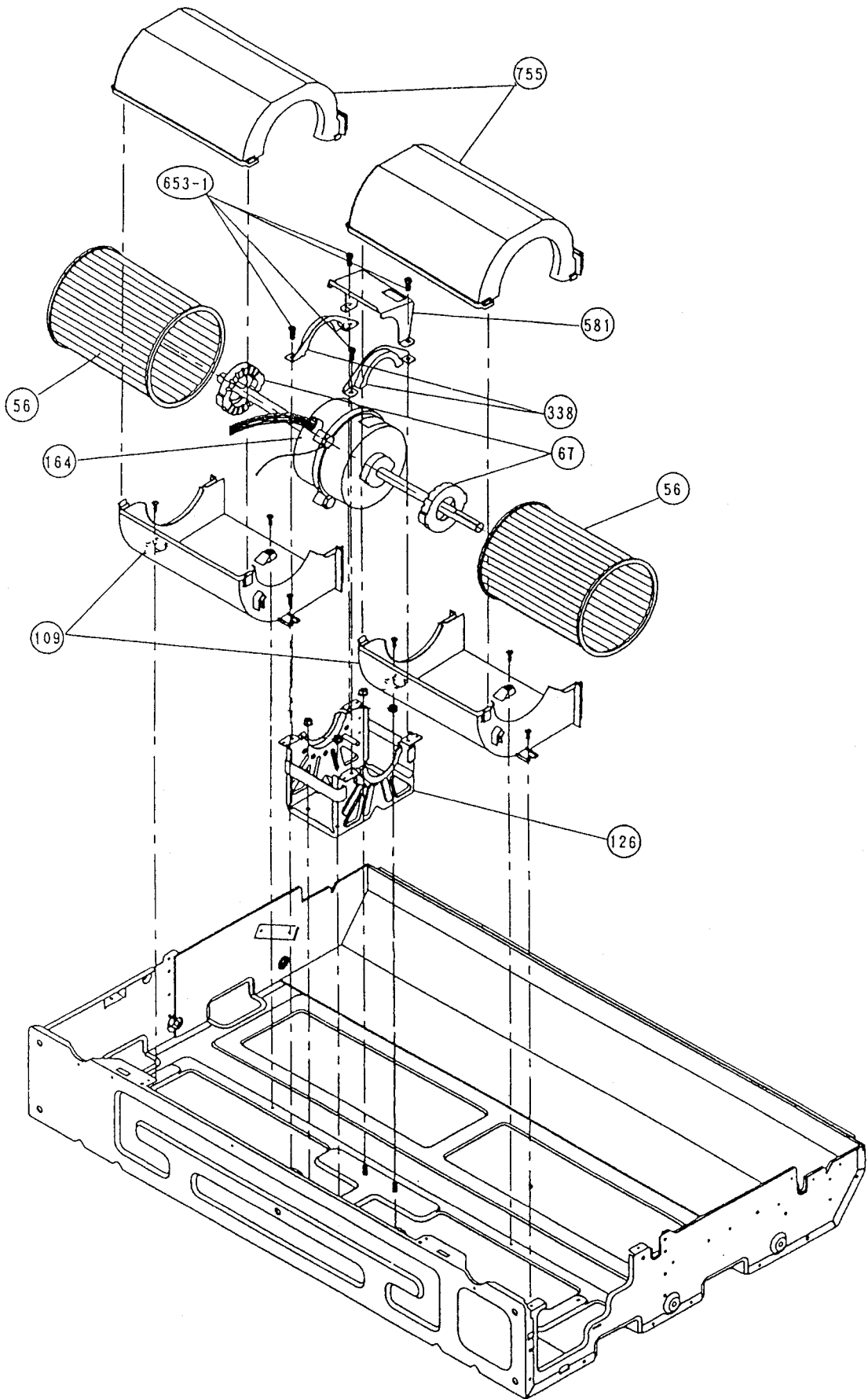


# DISASSEMBLY ILLUSTRATION

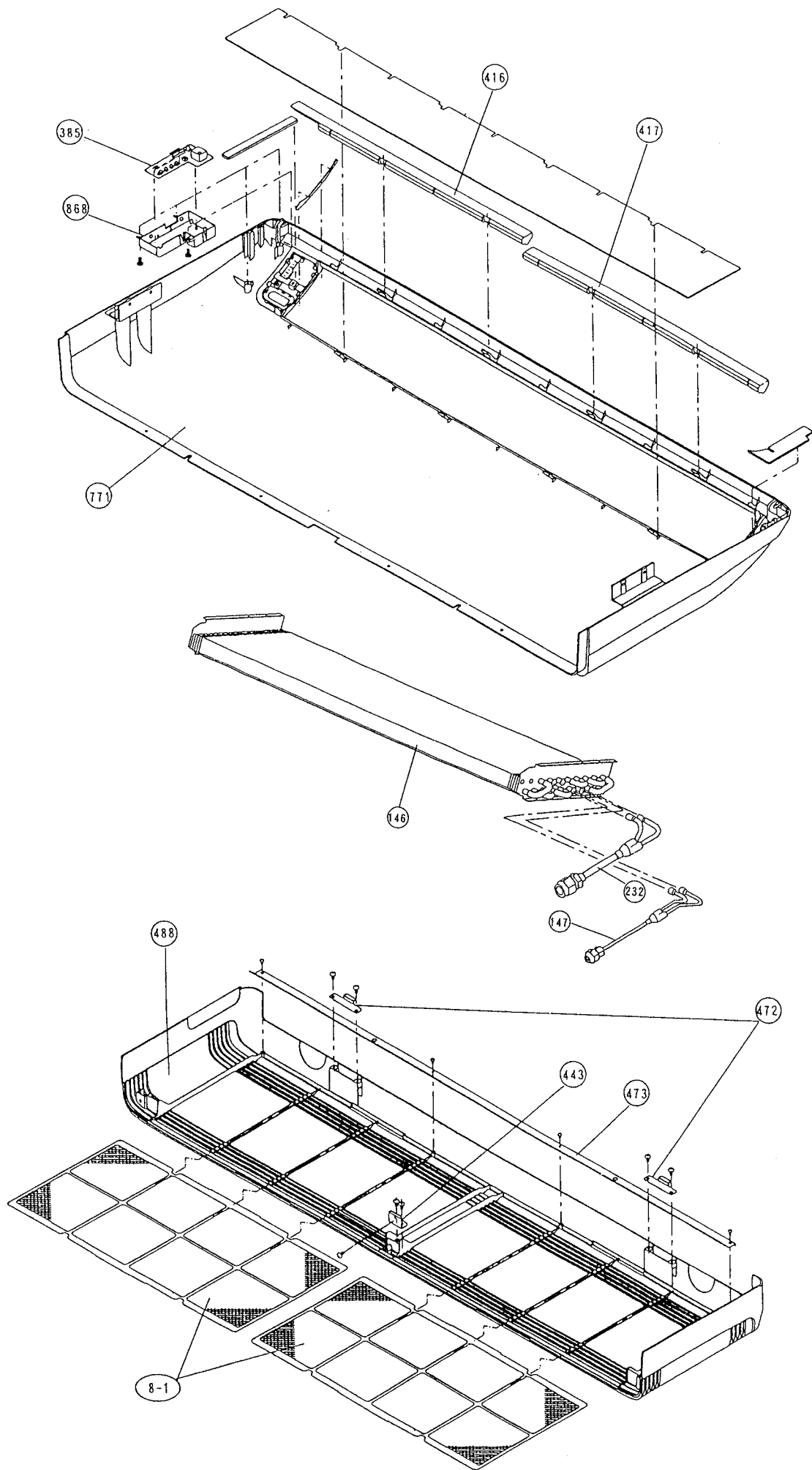
Models : ABY14AGA-W  
 ABY14ASB-W  
 ABY14AWB-W  
 ABY14RGA-W  
 ABY14RSB-W  
 ABY14RWB-W

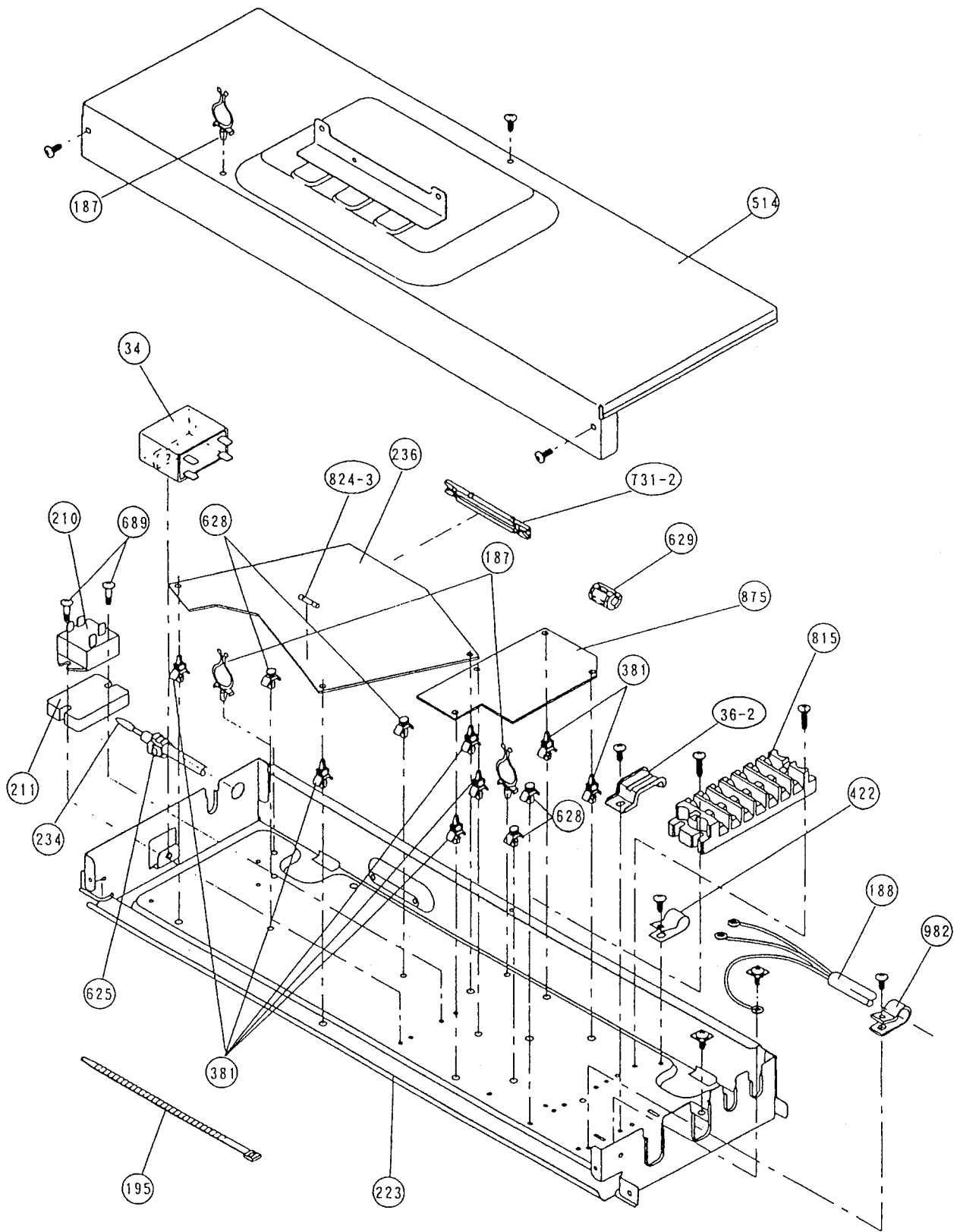


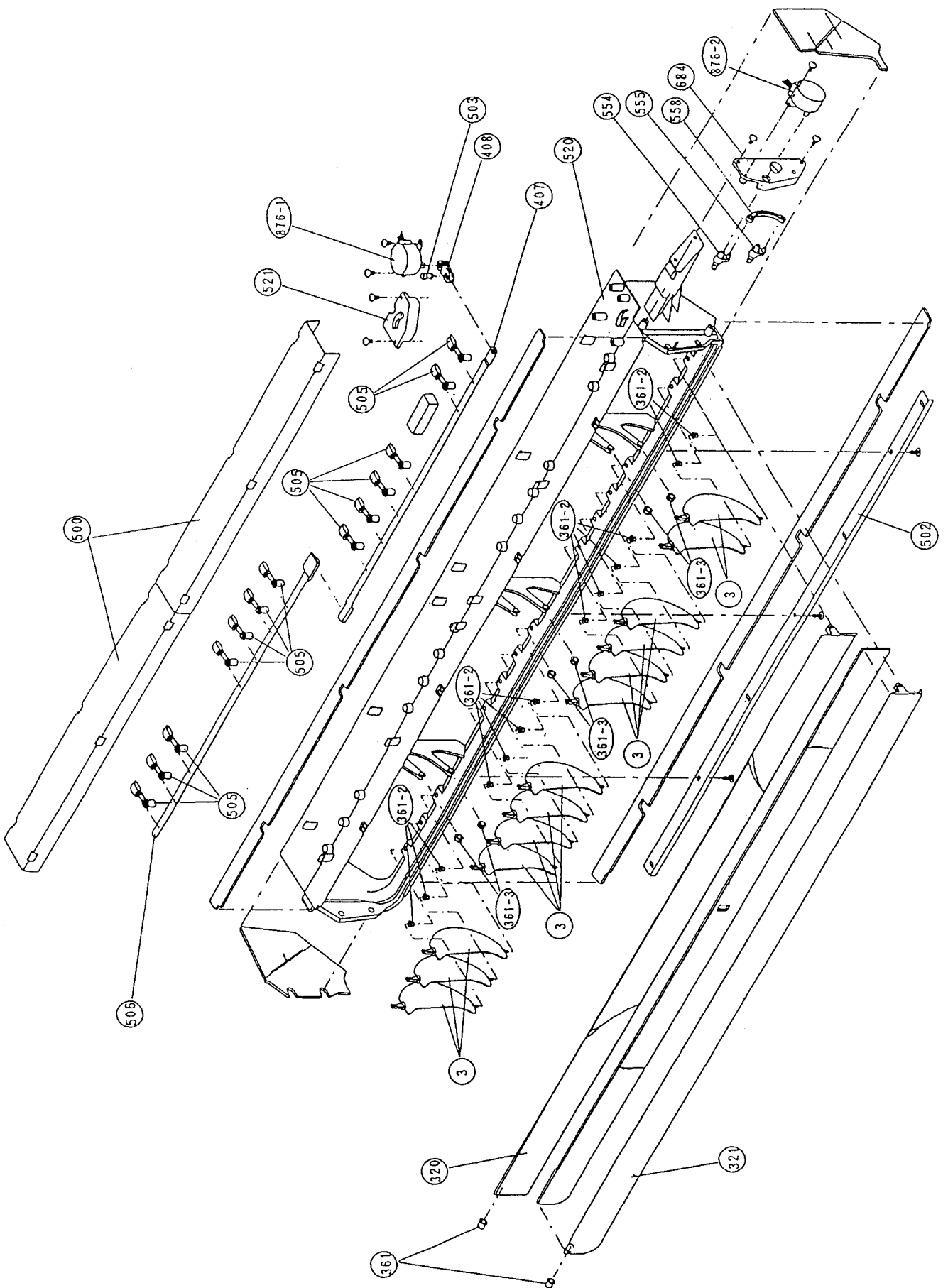




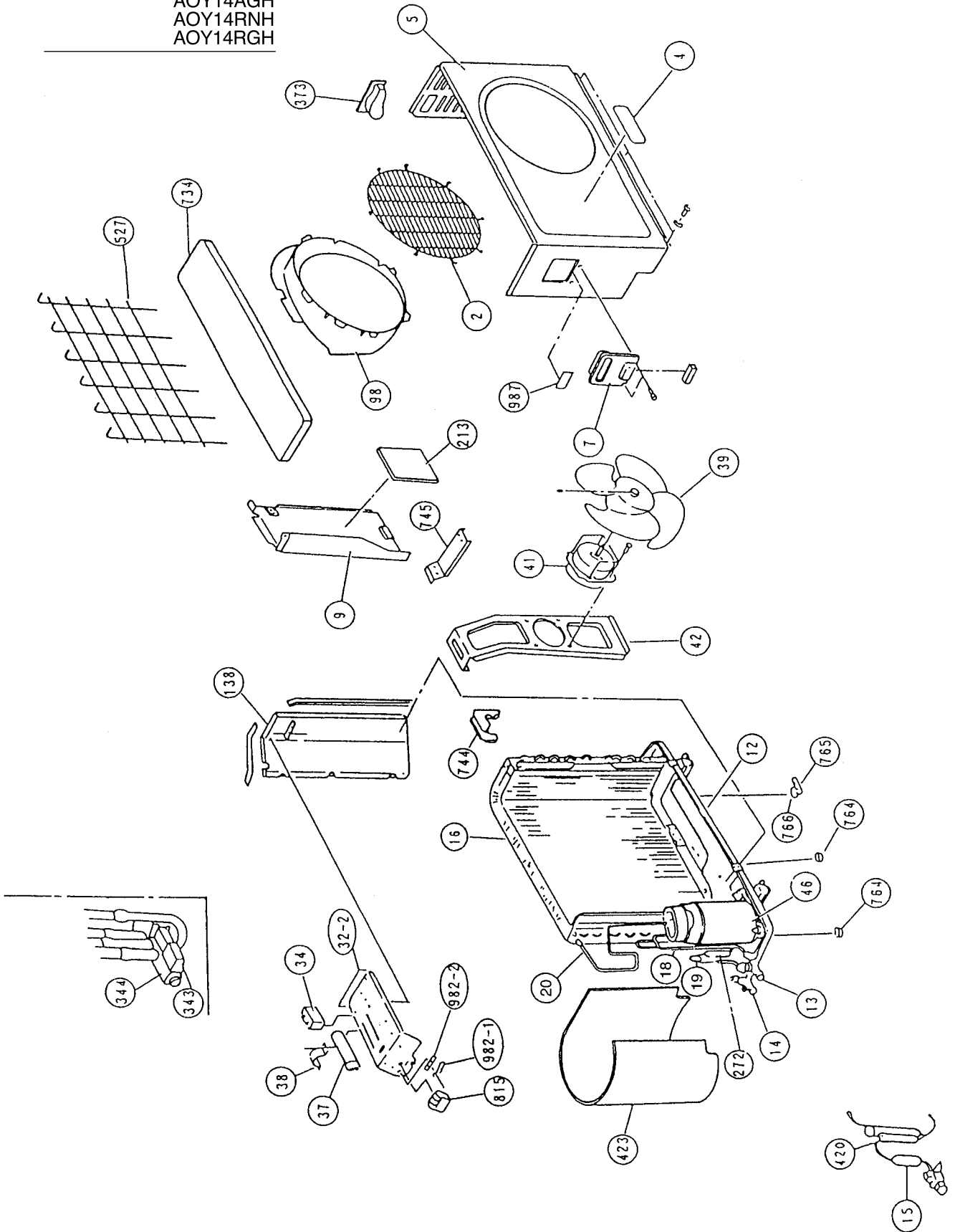


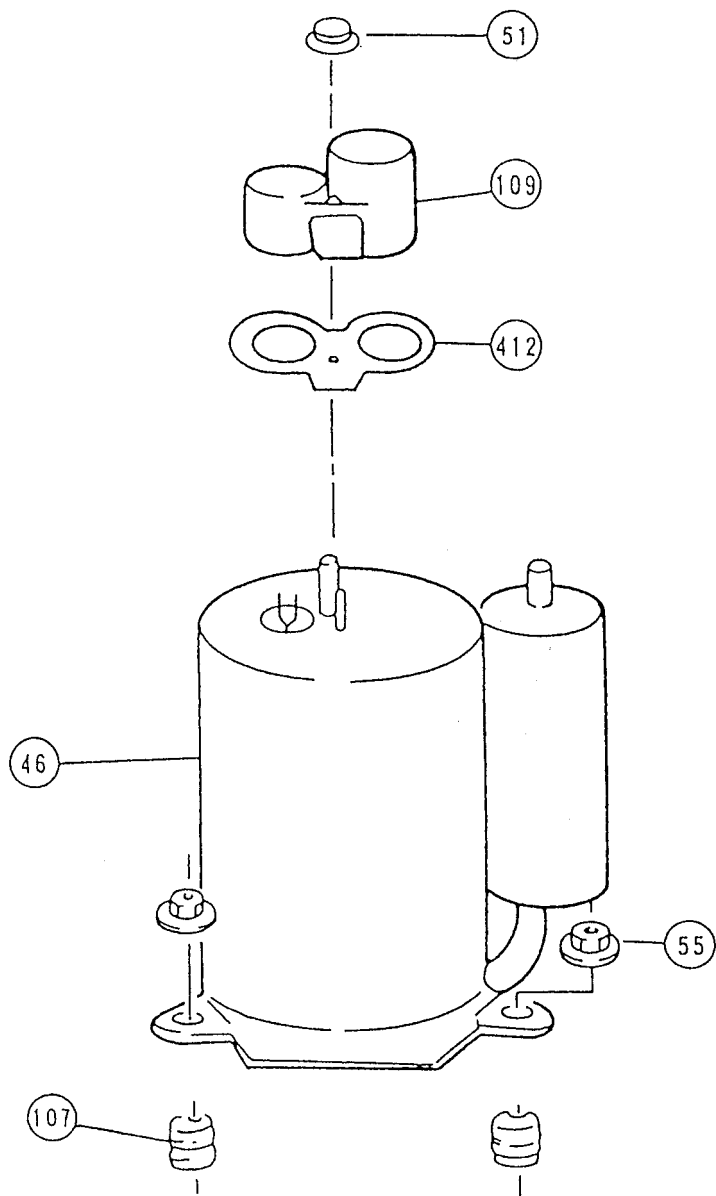






Models : AOY14ANH  
 AOY14AGH  
 AOY14RNH  
 AOY14RGH





# PARTS LIST

When you order parts, please make a photocopy of this page and fill the number of the parts in the "Order" column.

## INDOOR UNIT

Ref. No.	Description	Part No.						Order Qty
		ABY14AGA-W	ABY14ASB-W	ABY14AWB-W	ABY14RGA-W	ABY14RSB-W	ABY14RWB-W	
3	Louver	9358561010	9358561010	9358561010	9358561010	9358561010	9358561010	
8-1	Air Filter	9358567012	9358567012	9358567012	9358567012	9358567012	9358567012	
34	Capacitor (Fan Motor) 1.6 $\mu$ F/400V	9700468080	9700468080	9700468080	9700468080	9700468080	9700468080	
36-2	Cord Holder Metal	9356362008	9356362008	9356362008	9356362008	9356362008	9356362008	
56	Sirocco Fan Assy	9358621004	9358621004	9358621004	9358621004	9358621004	9358621004	
67	Rubber (Vibration-proof)	313659068604	313659068604	313659068604	313659068604	313659068604	313659068604	
68	Cap. Plastic	9358563007	9358563007	9358563007	9358563007	9358563007	9358563007	
108	Base Assy	9359061014	9359061014	9359061014	9359061014	9359061014	9359061014	
109	Casing, Plastic	9358543009	9358543009	9358543009	9358543009	9358543009	9358543009	
124	Dew Proof Plate	9359196006	9359196006	9359196006	9359196006	9359196006	9359196006	
126	Motor Fixing Table Assy	9358591000	9358591000	9358591000	9358591000	9358591000	9358591000	
127	Drain Hose Assy	9359242000	9359242000	9359242000	9359242000	9359242000	9359242000	
138	Separate Wall-A	9358584002	9358584002	9358584002	9358584002	9358584002	9358584002	
146	Evaporator Assy D516E	9359379003	9359379003	9359379003	9359379003	9359379003	9359379003	
147	Inlet Pipe (Eva.) Assy, Welded	9359370000	9359370000	9359370000	9359370000	9359370000	9359370000	
160	Drain Pan Assy	9358568002	9358568002	9358568002	9358568002	9358568002	9358568002	
164	Fan Motor Assy-IN MFA-14CTT	9600778012	9600778012	9600778012	9600778012	9600778012	9600778012	
170	Remote Control Bracket	-	-	9358795002	-	-	9358795002	
173	Hanger Bracket-L	9358596005	9358596005	9358596005	9358596005	9358596005	9358596005	
174	Hanger Bracket-R	9358595008	9358595008	9358595008	9358595008	9358595008	9358595008	
184-1	Thermistor Spring-A	313728262708	313728262708	313728262708	313728262708	313728262708	313728262708	
187	Clamp No.1219	313361271706	313361271706	313361271706	313361271706	313361271706	313361271706	
188	Power Cord Assy	9701149032	9701149032	9701149032	9701149032	9701149032	9701149032	
195	Clamp SKB-100	313361275805	313361275805	313361275805	313361275805	313361275805	313361275805	
196-1	Clamp SKB-3M	312300787605	312300787605	312300787605	312300787605	312300787605	312300787605	
210	Main Relay JM1AN-ZTM-DC12V	9356781007	9356781007	9356781007	9356781007	9356781007	9356781007	
211	Cushion Rubber	313806328306	313806328306	313806328306	313806328306	313806328306	313806328306	
223	Control Box	9358600016	9358600016	9358600016	9358600016	9358600016	9358600016	
232	Outlet Pipe (Evaporator) Assy	9359374008	9359374008	9359374008	9359374008	9359374008	9359374008	
234	Thermistor Assy	9703299025	9703299025	9703299025	9703299025	9703299025	9703299025	
235	Thermistor Assy-Pipe	9701102068	9701102068	9701102068	9701102068	9701102068	9701102068	
236	Controller PCB Assy EZ-096VWSE-C	9701941094	9701941094	9701941094	-	-	-	
236	Controller PCB Assy EZ-0975HSE-C	-	-	-	9701941124	9701941124	9701941124	
240	Remote Control Unit AR-DL1	-	-	-	9359913016	-	-	
240	Remote Control Unit AR-DL2	9359913023	-	-	-	-	-	
240	Remote Control Unit AR-CG1	-	-	-	-	9357887012	-	
240	Remote Control Unit AR-CG2	-	9357887029	-	-	-	-	
240	Remote Control Unit AR-CH2	-	-	9358650028	-	-	-	
240	Remote Control Unit AR-CH1	-	-	-	-	-	9358650011	
320	Flap (Upper)-F	9358538012	9358538012	9358538012	9358538012	9358538012	9358538012	
321	Flap (Lower)	9358541012	9358541012	9358541012	9358541012	9358541012	9358541012	
338	Motor Fixture	9358594001	9358594001	9358594001	9358594001	9358594001	9358594001	
361	Bushing	9357942001	9357942001	9357942001	9357942001	9357942001	9357942001	
361-2	Bushing-B, Plastic	9358554005	9358554005	9358554005	9358554005	9358554005	9358554005	
361-3	Bushing-C, Plastic	9358553008	9358553008	9358553008	9358553008	9358553008	9358553008	
365-1	Special Screw	9359092001	9359092001	9359092001	9359092001	9359092001	9359092001	
365-2	Special Screw	9359091004	9359091004	9359091004	9359091004	9359091004	9359091004	
381	Locking Spacer, KGLS-4S	313209391506	313209391506	313209391506	313209391506	313209391506	313209391506	
385	Indicator PCB Assy EZ-0964HSE-D	9701873012	9701873012	9701873012	9701873012	9701873012	9701873012	
407	Motor Rod	9358560006	9358560006	9358560006	9358560006	9358560006	9358560006	
408	Louver Link	9358556009	9358556009	9358556009	9358556009	9358556009	9358556009	
416	Insulation (Panel)-A	9358574003	9358574003	9358574003	9358574003	9358574003	9358574003	
417	Insulation (Panel)-B	9358914007	9358914007	9358914007	9358914007	9358914007	9358914007	
418	Insulation (Flap Base)	9358572009	9358572009	9358572009	9358572009	9358572009	9358572009	
422	Clamp NK-10N	9359183006	9359183006	9359183006	9359183006	9359183006	9359183006	

When you order parts, please make a photocopy of this page and fill the number of the parts in the "Order" column.

INDOOR UNIT (Continued)

Ref. No.	Description	Part No.						Order Q'ty
		ABY14AGA-W	ABY14ASB-W	ABY14AWB-W	ABY14RGA-W	ABY14RSB-W	ABY14RWB-W	
439	Drain Pan Wire	9358598009	9358598009	9358598009	9358598009	9358598009	9358598009	
443	Arm Bracket	9359281009	9359281009	9359281009	9359281009	9359281009	9359281009	
470	Separate Wall-B	9358585009	9358585009	9358585009	9358585009	9358585009	9358585009	
472	Grille Support	9358602003	9358602003	9358602003	9358602003	9358602003	9358602003	
473	Filter Bracket	9358607008	9358607008	9358607008	9358607008	9358607008	9358607008	
488	Grille-F	9358532010	9358532010	9358532010	9358532010	9358532010	9358532010	
500	Protect Cover	9358564004	9358564004	9358564004	9358564004	9358564004	9358564004	
502	Support Stay	9358599006	9358599006	9358599006	9358599006	9358599006	9358599006	
503	Louver Shaft	9358557006	9358557006	9358557006	9358557006	9358557006	9358557006	
505	Louver Stopper	9358555002	9358555002	9358555002	9358555002	9358555002	9358555002	
506	Louver Rod	9358559000	9358559000	9358559000	9358559000	9358559000	9358559000	
508	Cosmetic Panel-R	9358535011	9358535011	9358535011	9358535011	9358535011	9358535011	
509	Cosmetic Panel-L	9358536018	9358536018	9358536018	9358536018	9358536018	9358536018	
514	Control Box Cover	9359097006	9359097006	9359097006	9359097006	9359097006	9359097006	
520	Flap Base	9358537015	9358537015	9358537015	9358537015	9358537015	9358537015	
521	Louver Link Cover	9358558003	9358558003	9358558003	9358558003	9358558003	9358558003	
552	Insulation (Eva.)-R	9358575000	9358575000	9358575000	9358575000	9358575000	9358575000	
553	Insulation (Eva.)-L	9358857007	9358857007	9358857007	9358857007	9358857007	9358857007	
554	Flap Link-Upper (Step Motor-V)	9358551004	9358551004	9358551004	9358551004	9358551004	9358551004	
555	Flap Link-Lower (Step Motor-V)	9358552001	9358552001	9358552001	9358552001	9358552001	9358552001	
558	Motor Rod-A (Step Motor-V)	9358550007	9358550007	9358550007	9358550007	9358550007	9358550007	
574-1	Evaporator Fixture-R (Bracket)	9358589007	9358589007	9358589007	9358589007	9358589007	9358589007	
574-2	Evaporator Fixture-L (Bracket)	9358590003	9358590003	9358590003	9358590003	9358590003	9358590003	
577	Catch TL-119	9359096009	9359096009	9359096009	9359096009	9359096009	9359096009	
578	Base Bracket (Reinforcement Metal)	9358586006	9358586006	9358586006	9358586006	9358586006	9358586006	
580	Top Cover	9358534014	9358534014	9358534014	9358534014	9358534014	9358534014	
581	Protector, Metal (Fan Motor)	9359282006	9359282006	9359282006	9359282006	9359282006	9359282006	
588-1	Evaporator Bracket-R	9358587003	9358587003	9358587003	9358587003	9358587003	9358587003	
588-2	Evaporator Bracket-L	9358588000	9358588000	9358588000	9358588000	9358588000	9358588000	
625	Cord Bushing KR-51	9359240006	9359240006	9359240006	9359240006	9359240006	9359240006	
628	Locking Spacer-B	313005446558	313005446558	313005446558	313005446558	313005446558	313005446558	
629	EMI Filter	0400197119	0400197119	0400197119	0400197119	0400197119	0400197119	
652-1	Therm. Holder Pipe	313806262805	313806262805	313806262805	313806262805	313806262805	313806262805	
653-1	Bolt (Fan Motor Fixing)	0700156014	0700156014	0700156014	0700156014	0700156014	0700156014	
653-2	Bolt	0700190018	0700190018	0700190018	0700190018	0700190018	0700190018	
684	Motor Base	9358562000	9358562000	9358562000	9358562000	9358562000	9358562000	
689	Screw, Grip Tapping SN+4016 ZNY w/Grip	9357837000	9357837000	9357837000	9357837000	9357837000	9357837000	
731-2	Holder (Guide Rail)	0600241018	0600241018	0600241018	0600241018	0600241018	0600241018	
743	Remote Control Unit Holder	9359955016	9305642014	-	9359955016	9305642014	-	
755	Casing Cover	9358544006	9358544006	9358544006	9358544006	9358544006	9358544006	
764	Drain Cap	9358746004	9358746004	9358746004	9358746004	9358746004	9358746004	
771	Panel Assy "FUJITSU"	9359076018	9359076018	9359076018	9359076018	9359076018	9359076018	
815	Terminal-4P	9358660041	9358660041	9358660041	-	-	-	
815	Terminal-7P	-	-	-	9358660102	9358660102	9358660102	
824-3	Fuse BET3.15A-250V	0600222512	0600222512	0600222512	0600222512	0600222512	0600222512	
868	PCB Holder	9358547007	9358547007	9358547007	9358547007	9358547007	9358547007	
870-1	Arm	9358565001	9358565001	9358565001	9358565001	9358565001	9358565001	
870-2	Center Arm	9359280002	9359280002	9359280002	9359280002	9359280002	9359280002	
875	Filter PCB Assy EZ-0964HSE-P	9702081010	9702081010	9702081010	9702081010	9702081010	9702081010	
876-1	Step Motor-H	9359106012	9359106012	9359106012	9359106012	9359106012	9359106012	
876-2	Step Motor-V	9359105015	9359105015	9359105015	9359105015	9359105015	9359105015	
923	Control Box Bracket	9358717004	9358717004	9358717004	9358717004	9358717004	9358717004	
982	Cord Clamp	9357864006	9357864004	9357864006	9357864006	9357864006	9357864004	

When you order parts, please make a photocopy of this page and fill the number of the parts in the "Order" column.

OUTDOOR UNIT

Ref. No.	Description	Part No.				Order Q'ty
		AOY14ANH	AOY14AGH	AOY14RNH	AOY14RGH	
2	Fan Cover	9304109006	9304109006	9304109006	9304109006	
4	Emblem-Rear "FUJITSU"	9351355005	9351355005	9351355005	9351355005	
5	Cabinet, Painted	9302936017	9302936017	9302936017	9302936017	
7	Connector Cover (Cabinet)	9357970004	9357970004	9357970004	9357970004	
9	Cabinet Rear Panel	9303744017	9303744017	9303744017	9303744017	
12	Base Assy, Painted	9389308011	9354493070	9389308011	9354493070	
13	3-Way Valve	9358716014	9364616001	9358716014	9364616001	
14	2-Way Valve	9358714010	9364615004	9358714010	9364615004	
15	Dryer	-	-	313523082505	313523082505	
16	Condenser Assy	9365671009	9365671009	9365670002	9365670002	
18	Suction Pipe	9354625006	9364832005	9354055001	9364827001	
19	Capillary Tube	9354666009	9364835006	-	-	
20	Discharge Pipe Assy	9354624009	9364830001	9354056008	9364826004	
32-2	Control Box Metal-A	9355843003	9355843003	9355843003	9355843003	
34	Capacitor (Fan Motor)	9700468080	9700468080	9700468080	9700468080	
37	Running Capacitor	9356386073	9356386066	9356386073	9356386066	
38	Capacitor Clamp Metal	313468061808	313468061808	313468061808	313468061808	
39	Propeller Fan Assy	9351589011	9351589011	9351589011	9351589011	
41	Fan Motor Assy-Out	9600649060	9600649060	9600649060	9600649060	
42	Bracket (Motor)	313166243804	313166243804	313166243804	313166243804	
46	Compressor Assy	9357145006	9364723006	9357145006	9364723006	
51	Special Nut M5 (For Comp.)	9300301015	9359430018	9300301015	9359430018	
55	Special Nut M8 (For Comp.)	9355091008	9355091008	9355091008	9355091008	
98	Fan Ring	313166296109	313166296109	313166296109	313166296109	
107	Rubber Seat-A (For Comp.)	9351049010	9359425014	9351049010	9359425014	
109	Terminal Cover (For Comp.)	9351048013	9364724003	9351048013	9364724003	
138	Separate Wall Assy	9303729014	9303729014	9303729014	9303729014	
213	Noise Insulation-B	313584258005	313584258005	313584258005	313584258005	
259	Muffler	-	-	313505083900	313505083900	
272	Strainer	9357309002	9357309002	9301340006	9301340006	
329	Coupling Pipe Assy	-	-	9352375002	9352375002	
343	Solenoid Coil	-	-	9359616047	9359616047	
344	4-Way Valve	-	-	313943302804	313943302804	
373	Grip	313166178700	313166178700	313166178700	313166178700	
412	Terminal Gasket (For Comp.)	9351051013	9364725000	9351051013	9364725000	
420	Capillary Assy	-	-	9354058002	9364828008	
423	Noise Insulation-F	9350944019	9350944019	9350944019	9350944019	
527	Protection Net	9355444002	9355444002	9355444002	9355444002	
734	Cabinet Top Plate	9302937014	9302937014	9302937014	9302937014	
744	Clamp (Condenser)	313166374106	313166374106	313166374106	313166374106	
745	Motor Support	313166036308	313166036308	313166036308	313166036308	
764	Drain Cap	-	-	313166024302	313166024302	
765	Drain Pipe L-type	-	-	9301102000	9301102000	
766	Drain Pipe Packing	-	-	9301143003	9301143003	
815	Terminal-3P	9355901024	9355901024	-	-	
815	Terminal-4P	-	-	9358660041	9358660041	
982-1	Cord Clamp	9356857009	9356857009	9356857009	9356857009	
982-2	Cord Clamp-B	9356858006	9356858006	9356858006	9356858006	
987	Insulation Sheet	9358372005	9358372005	9358372005	9358372005	



When you order parts, please make a photocopy of this page and fill the number of the parts in the "Order" column.

CONTROLLER PCB ASSEMBLY (Ref. No. 236)

( ) : Reverse cycle model

Ref. No.	Description	Part No.	Order Q'ty	Ref. No.	Description	Part No.	Order Q'ty
IC1	IC $\mu$ PD78014FCW-013	9702426026		CJ1,2	Res. 0 $\Omega$	0200212012	
IC2	IC NJM7812FA	0100462104		C5	Cap. Elec. 450V 100 $\mu$ F	0300256060	
IC3	IC NJM7805FA	0100462081		(C5)	Cap. Elec. 450V 100 $\mu$ F	0300312797	
IC4~6	Xstr $\mu$ PA2003GR	0100028041		C6	Cap. Plastic 4700 $\mu$ F	0300269091	
IC7	IC NM82C46MB-X	0101622026		C7	Cap. Plastic 50V 0.047 $\mu$ F	0300169339	
IC8	IC PST600CMTR	0101461120		C8	Cap. Elec. 25V 100 $\mu$ F	0301197560	
IC9	Photocoupler TLP621 (D4)-GB	0000117074		C9	Cap. Elec. 25V 1000 $\mu$ F	0301196495	
Q1	Xstr 2SC4236	0000164047		C10,11,33,36,41	Cap. Elec. 25V 10 $\mu$ F	0301192312	
Q2	Xstr 2SC1740S	0000699235		C12	Cap. Elec. 25V 1000 $\mu$ F	0301158264	
Q3,4	Xstr DTC124EKA	0000936033		C13,15,34,37,39,44,45	Cap. Ceramic 50V 0.1 $\mu$ F	0300311752	
D1	Diode D3SB60	0000689045		C14	Cap. Elec. 25V 100 $\mu$ F	0301192350	
D2,4,7	Diode D1FL20U	0000746519		C16-31,38,40,42,46,49	Cap. Ceramic 50V 0.01 $\mu$ F	0300311738	
D3	Diode MTZJ5.1B	0000852166		C32,35,43,50-53	Cap. Ceramic 50V 1000 $\mu$ F	0300308509	
D5	Diode 1SR139-600	0000353120		C54	Cap. Ceramic 50V 0.01 $\mu$ F	0300727539	
D6	Diode D2FL20U	0000906500		K1,3,4	Reray JQ1-12V	9701316014	
D8	Diode D1F60	0000208024		(K5)	Reray JQ1P-12V	9701794010	
D9	Diode DA226U	0000625036		(K6, 7)	Reray JQ1-12V	9701316014	
D12	Diode DAN 202K	0000684019		SSR1	Reray G3M-202P-UTU	9701829019	
R1	Res. Cement 5W 3.3 $\Omega$ $\pm$ 10%	0200244372		(SW1)	Switch, Slide DSS803	9701392018	
(R1)	Res. Cement 5W 3.3 $\Omega$ $\pm$ 10%	0200153148		T1	Switching Transformer ETS28A5118AH	9702727017	
R2	Res. Metal 2W 1.5 $\Omega$ $\pm$ 5%	0201107119		(T1)	Switching Transformer MPR-1	9701976010	
R3	Res. 1/10W 100 $\Omega$ $\pm$ 5%	0200212500		X1	Ceramic Resonator EF0EC8384T4	9701261017	
R4	Res. Carbon 1W 200k $\Omega$ $\pm$ 5%	0200111353		BZ1	Buzzer PKM13EPY-4000-TF01	9701298013	
R5	Res. Metal 2W 47k $\Omega$ $\pm$ 5%	0201107652		CR1	Network RPEL-121204	9701125012	
R6	Res. 1/2W 100 $\Omega$ $\pm$ 5%	0200731506		(CR2, 3)	Network RPEL-121204	9701125012	
R7	Res. 1/4W 330 $\Omega$ $\pm$ 5%	0200708621		CN1	Plug. PCB B2P3-VH-B-C	0500011773	
R8,10,13,15-17,21-24,29-32,37,39,48,50,52,53,55,59,68	Res. 1/10W 390 $\Omega$ $\pm$ 5%	0200212647		(CN2)	Plug. PCB B3P5-VH-B-R	0500011803	
R9,47	Res. Metal 1W 56k $\Omega$ $\pm$ 5%	0201106662		CN4	Plug. PCB B2P3-VH-B-Y	0500011827	
R11	Res. Metal 1W 56k $\Omega$ $\pm$ 5%	0201106662		CN5	Plug. PCB 5430C063	0500957026	
R12,18-20,25-28,33-36,38,42,44,46,49,51,56-58,67	Res. 1/10W 1k $\Omega$ $\pm$ 5%	0200212746		CN6	Plug. PCB B2P3-VH-B-E	0500011759	
R40,41	Res. 1/10W 4.7k $\Omega$ $\pm$ 5%	0200212906		CN7	Plug. PCB B2B-XAKK-1-A	0501045227	
R43	Res. 1/10W 10k $\Omega$ $\pm$ 5%	0200279497		CN8	Plug. PCB B2B-XASK-1-A	0501045012	
R45	Res. 1/10W 49.9k $\Omega$ $\pm$ 5%	0200279824		CN9	Plug. PCB B2P-SHF-1AA	0500006069	
R54	Res. 1/10W 47 $\Omega$ $\pm$ 5%	0200212425		CN10	Plug. PCB B5B-XASK-1-A	0501045043	
				CN11	Plug. PCB B5B-XARK-1-A	0510045517	
				CN12	Plug. PCB B3B-XASK-1-A	0501045029	
				CN13	Plug. PCB B8B-XASK-1-A	0501045074	
				CN14	Plug. PCB B4B-XH-AM	0500005314	
				CN15	Plug. PCB B3B-XARK-1-A	0501045319	

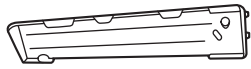


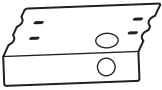
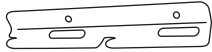
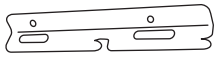
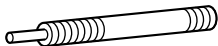







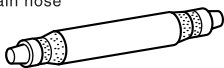


FILTER PCB ASSEMBLY (Ref. No.875)

Ref. No.	Description	Part No.	Order Q'ty	Ref. No.	Description	Part No.	Order Q'ty
C101,102	Cap. Plastic 0,22 $\mu$ F	0300304099		F101	Fuse BET3, 15A-250V	0600222512	
C105,106	Cap. Plastic 0,022 $\mu$ F	0301052098		FH1,2	Fuse Holder PFC5000-0502	0500158072	
SA101	Arrester DSA-362MA-05	0600168032		E101	Wire w/Terminal GRN L=120	9702066062	
VA101,102	Varistor TNR12G471K	0000038010		W101	Wire w/Terminal BLK L=80	9702066017	
TM101,102	Plug Contact 86028	0500536016		W102	Wire w/Terminal WHT L=100	9702066024	
LF101	EMI Filter ELF17N015A	0400197119		W103,104	Wire #18 2P	9702067014	

INDICATOR PCB ASSEMBLY (Ref. No. 385)

Ref. No.	Description	Part No.	Order Q'ty	Ref. No.	Description	Part No.	Order Q'ty
D201	Diode SLR-325VC RED	0000813259		PHA201	Remote Control Amplifier SBX1810-22	0101525129	
D202	Diode SLR-325MC GREEN	0000813242		SW201	Switch, Push EVQ-PAG-04K	9700450016	
D203,204	Diode SLR-325VC ORANGE	0000813235		CN201	Wire w/Connector JC25/XMR	9701875016	
C201	Cap. Ceramic 0.1 $\mu$ F	0300988251			Lamp Holder 94N40	9358548004	
C202	Cap. Elec. 25V 10 $\mu$ F	0300004258		JM201	Wire 0.6dia, L=10mm	9700025016	
R201-204	Res. Carbon 1/4W 330 $\Omega$ $\pm$ 5%	0201038659					

INDOOR UNIT ACCESSORIES

Name and Shape	Application	Part No.
Cosmetic Panel-L 		9358536018
Cosmetic Panel-R 		9358535011
Tapping screw (φ 4 x 10) 		301171164104
Installation template 	For positioning the indoor unit For under ceiling type.	9359107002
Hanger bracket-L 	For suspending the indoor unit from ceiling	9358596005
Hanger bracket-R 		9358595008
Anchor bolt (M12) 		} 313806339400
Special nut 		
Spring washer 		
Wall bracket 	For suspending the indoor unit on the wall.	9358597002
Tapping screw (φ 4 x 20) 	For fixing the wall bracket.	301141164200
Coupler heat insulator (large) 	For indoor side pipe joint (Large pipe)	9350716012
Nylon fastener (large) 	For fixing the coupler heat insulator	313152375801
Nylon fastener (small) 	For fixing the drain hose	312300787605
Drain hose 		9359242000
Insulation (drain hose) 	Adhesive type 70 x 230	9359225003
VT wire 	For fixing the drain hose L 280mm	313806350303