

**SPLIT TYPE
AIR CONDITIONER**

CASSETTE type (50Hz)

SERVICE MANUAL

Models	Indoor unit	Outdoor unit
	AUY36ALA3W	AOY36ACF3L
	AUY36RLA3W	AOY36RCF3L
	AUY45ALA3W	AOY45ACF3L
	AUY45RLA3W	AOY45RCF3L
	AUY54ALA3W	AOY54ABF3L
	AUY54RLA3W	AOY54RBF3L

C O N T E N T S

SPECIFICATIONS	1
DIMENSIONS	2
CIRCUIT DIAGRAM	3
REFRIGERANT SYSTEM DIAGRAM	5
INDOOR PRINTED CIRCUIT BOARD CIRCUIT DIAGRAM	7
OUTDOOR PRINTED CIRCUIT BOARD CIRCUIT DIAGRAM	9
INDOOR P.C. BOARD LAYOUTS	10
OUTDOOR P.C. BOARD LAYOUTS	12
REMOTE CONTROL UNIT CIRCUIT DIAGRAM	13
DISASSEMBLY ILLUSTRATION	15
PARTS LIST	27

S P E C I F I C A T I O N S

TYPE		COOLING			COOLING & HEATING		
MODEL	IN	AUY36ALA3W	AUY45ALA3W	AUY54ALA3W	AUY36RLA3W	AUY45RLA3W	AUY54RLA3W
	OUT	AOY36ACF3L	AOY45ACF3L	AOY54ABF3L	AOY36RCF3L	AOY45RCF3L	AOY54RBF3L
COOLING CAPACITY	kW	10.3-10.5	12.4-12.7	13.9-14.1	10.3-10.5	12.4-12.7	13.9-14.1
HEATING CAPACITY	kW	—	—	—	10.5-10.7	13.4-13.7	15.4-15.8

POWER SUPPLY	V	380 – 415					
	∅/Hz	3∅ / 50					
CURRENT (A)	COOL	6.6-6.6	7.5-7.5	8.5-8.6	6.6-6.6	7.5-7.5	8.5-8.6
	HEAT	—	—	—	5.9-5.9	7.5-7.5	8.5-8.6
INPUT (kW)	COOL	3.73-3.80	4.35-4.45	4.90-5.00	3.88-3.95	4.35-4.45	4.90-5.00
	HEAT	—	—	—	3.40-3.45	4.25-4.35	4.85-4.90
E.E.R (kW/kW)	COOL	2.76-2.76	2.85-2.85	2.84-2.82	2.65-2.66	2.85-2.85	2.84-2.82
	HEAT	—	—	—	3.09-3.10	3.15-3.15	3.18-3.22
STARTING CURRENT (A)		42	55	79	42	55	79
MOISTURE REMOVAL	ℓ/h	5	6	6	5	6	6

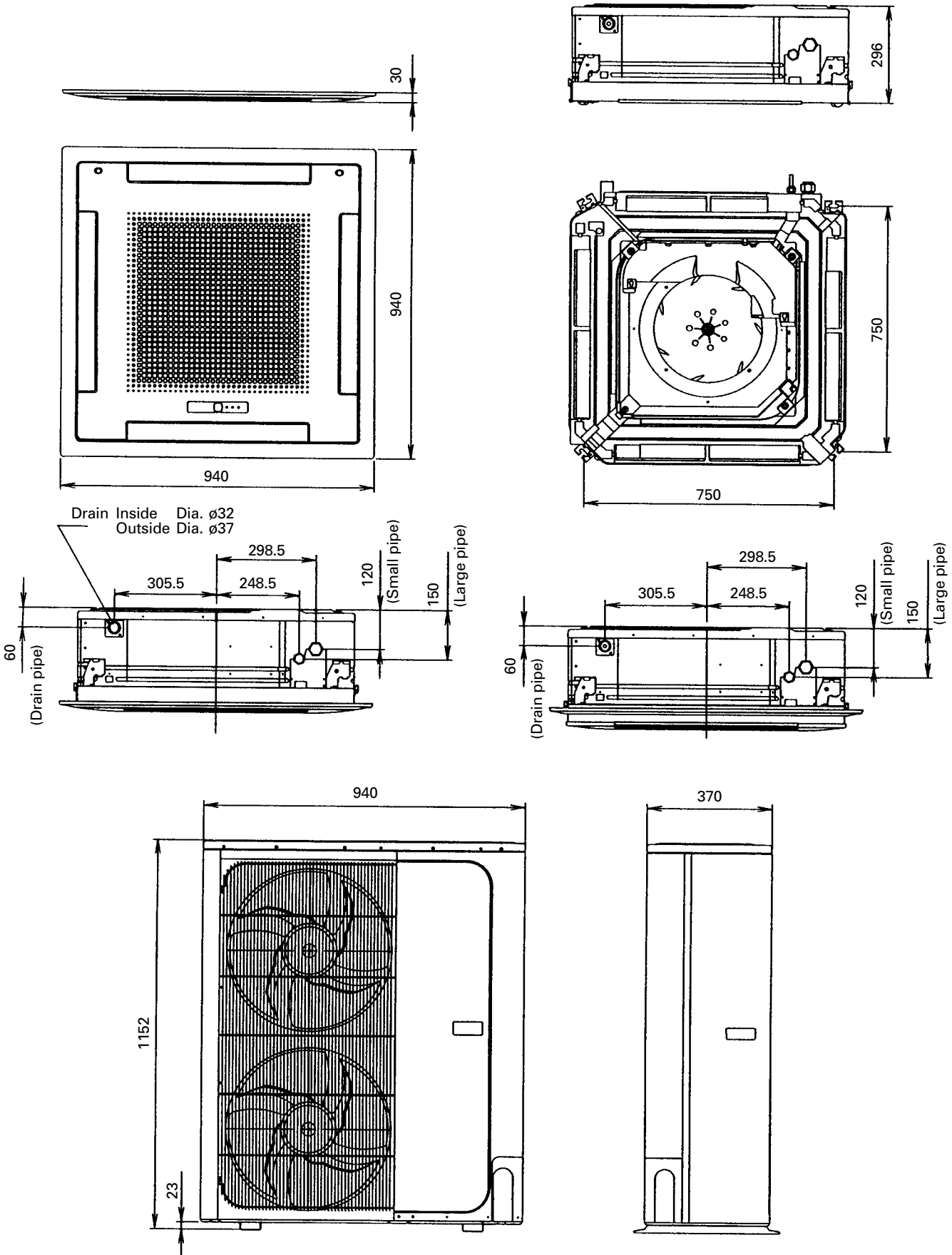
FAN SPEED (r.p.m.)	INDOOR	HIGH	580	620	680	580	620	680
		MED	500	550	580	500	550	580
		LOW	420	470	500	420	470	500
	OUTDOOR		790	790	790	790	790	790
AIR FLOW	INDOOR	m ³ /h	1,500	1,650	1,800	1,500	1,650	1,800
	OUTDOOR	m ³ /h	5,900	5,500	5,500	5,900	5,500	5,500
DIMENSIONS H x W x D (mm)	NET	IN	296 x 830 x 830					
		GRILLE	35 x 940 x 940					
		OUT	1,152 x 940 x 370					
WEIGHT [NET/GROSS] (kg)		IN	40 / 47					
		OUT	94 / 108	102 / 116	112 / 126	96 / 110	108 / 122	120 / 134
MAX PIPE LENGTH/HEIGHT	m	50 / 30						
REMOTE CONTROLLER TYPE		WIRED						

ADDITIONAL REFRIGERANT CHARGE

PIPE LENGTH		10m (33ft)	20m (66ft)	30m (99ft)	40m (132ft)	50m (164ft)	Additional refrigerant g/m
FULL CHARGE AMOUNT	AUY36A	2,350g (82.9oz)		2,750g (97.0oz)	3,150g (111.1oz)	3,550g (125.2oz)	40 g/m (1.41oz/3.3ft)
	AUY36R	3,000g (105.8oz)		3,400g (119.9oz)	3,800g (134.0oz)	4,200g (148.2oz)	
	AUY45A	3,500g (123.5oz)		3,900g (137.6oz)	4,300g (151.7oz)	4,700g (165.8oz)	
	AUY45R	3,500g (123.5oz)		3,900g (137.6oz)	4,300g (151.7oz)	4,700g (165.8oz)	50 g/m (1.76oz/3.3ft)
	AUY54A	4,000g (141.1oz)		4,500g (158.7oz)	5,000g (176.4oz)	5,500g (194.0oz)	
	AUY54R	3,500g (123.5oz)		4,000g (141.1oz)	4,500g (158.7oz)	5,000g (176.4oz)	

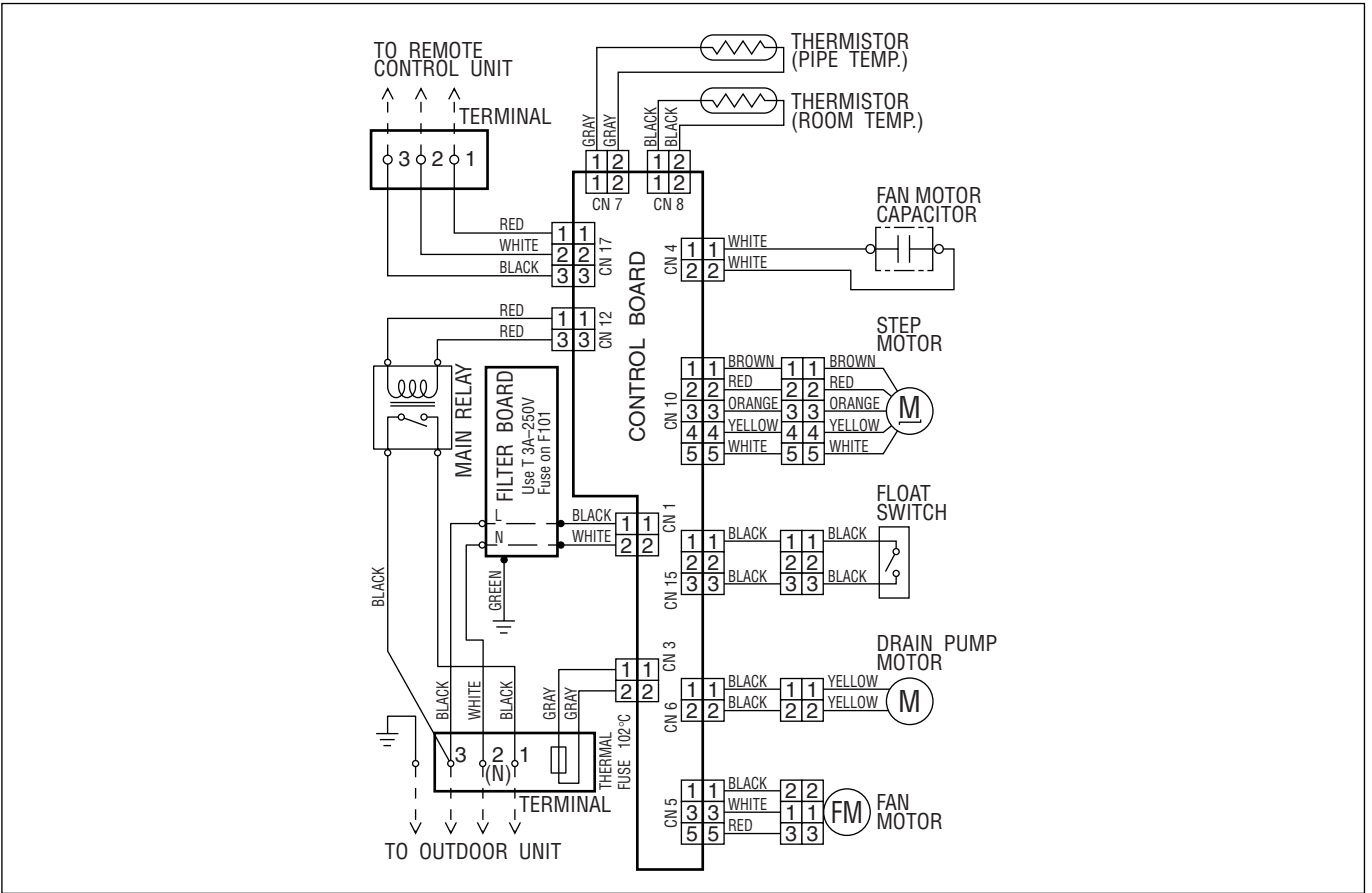
DIMENSIONS

Unit : mm

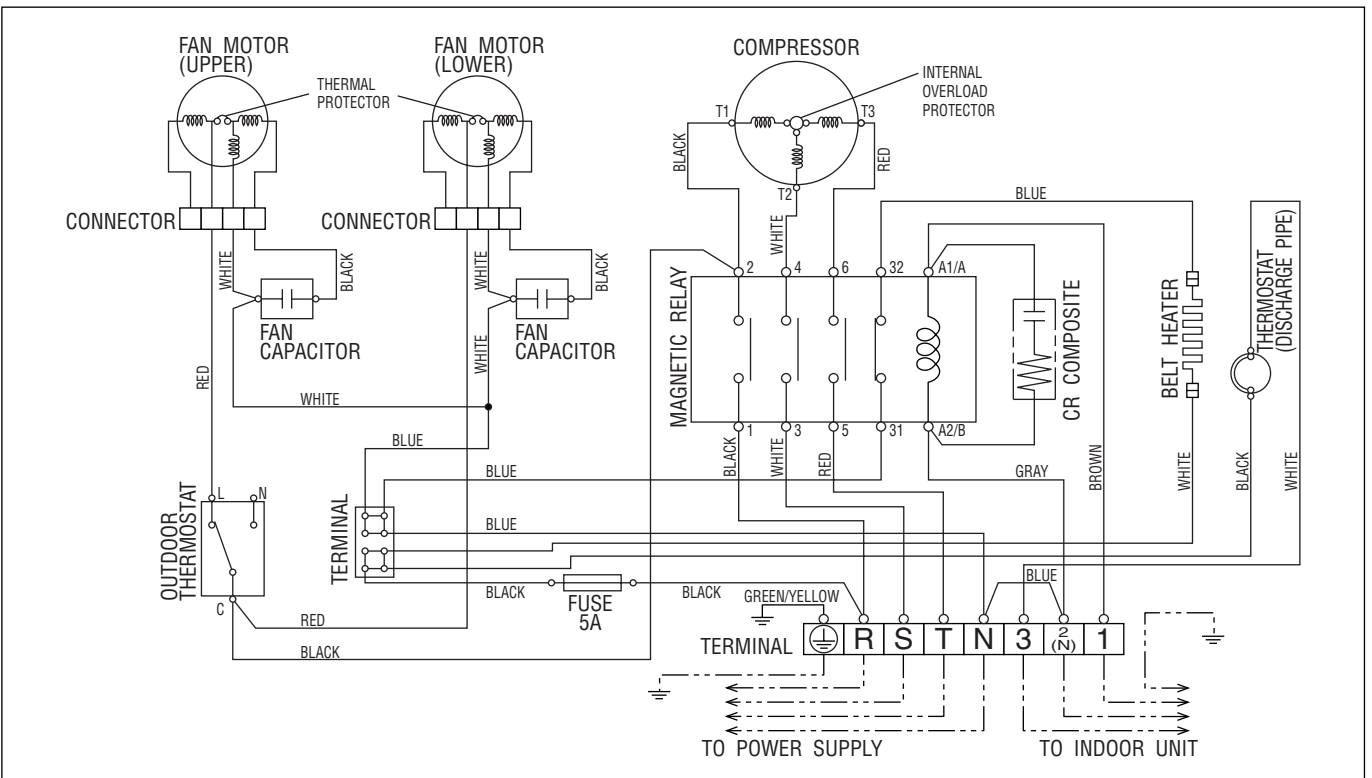


CIRCUIT DIAGRAM

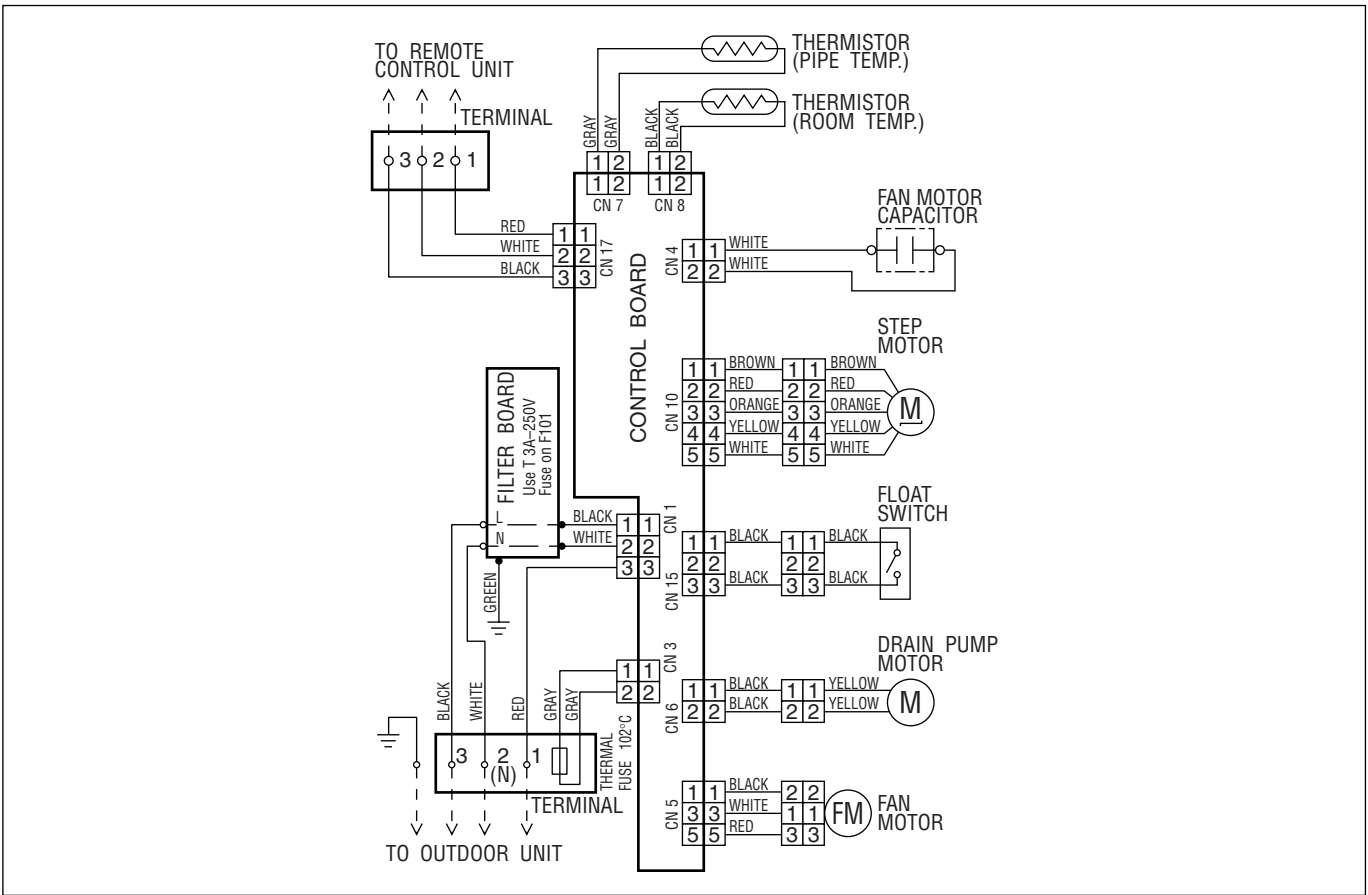
**Models : AU Y36ALA3W
 AU Y45ALA3W
 AU Y54ALA3W**



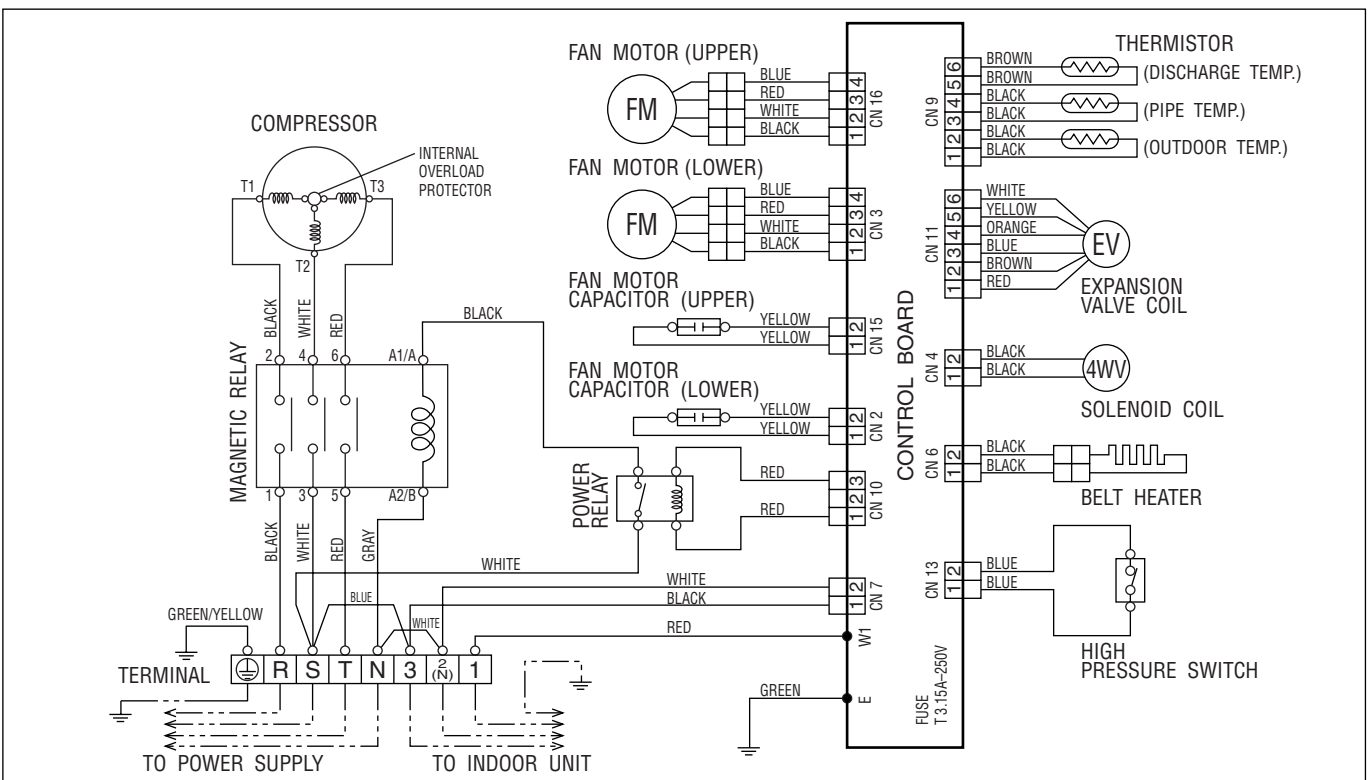
**Models : AO Y36ACF3L
 AO Y45ACF3L
 AO Y54ABF3L**



**Models : AUY36RLA3W
AUY45RLA3W
AUY54RLA3W**

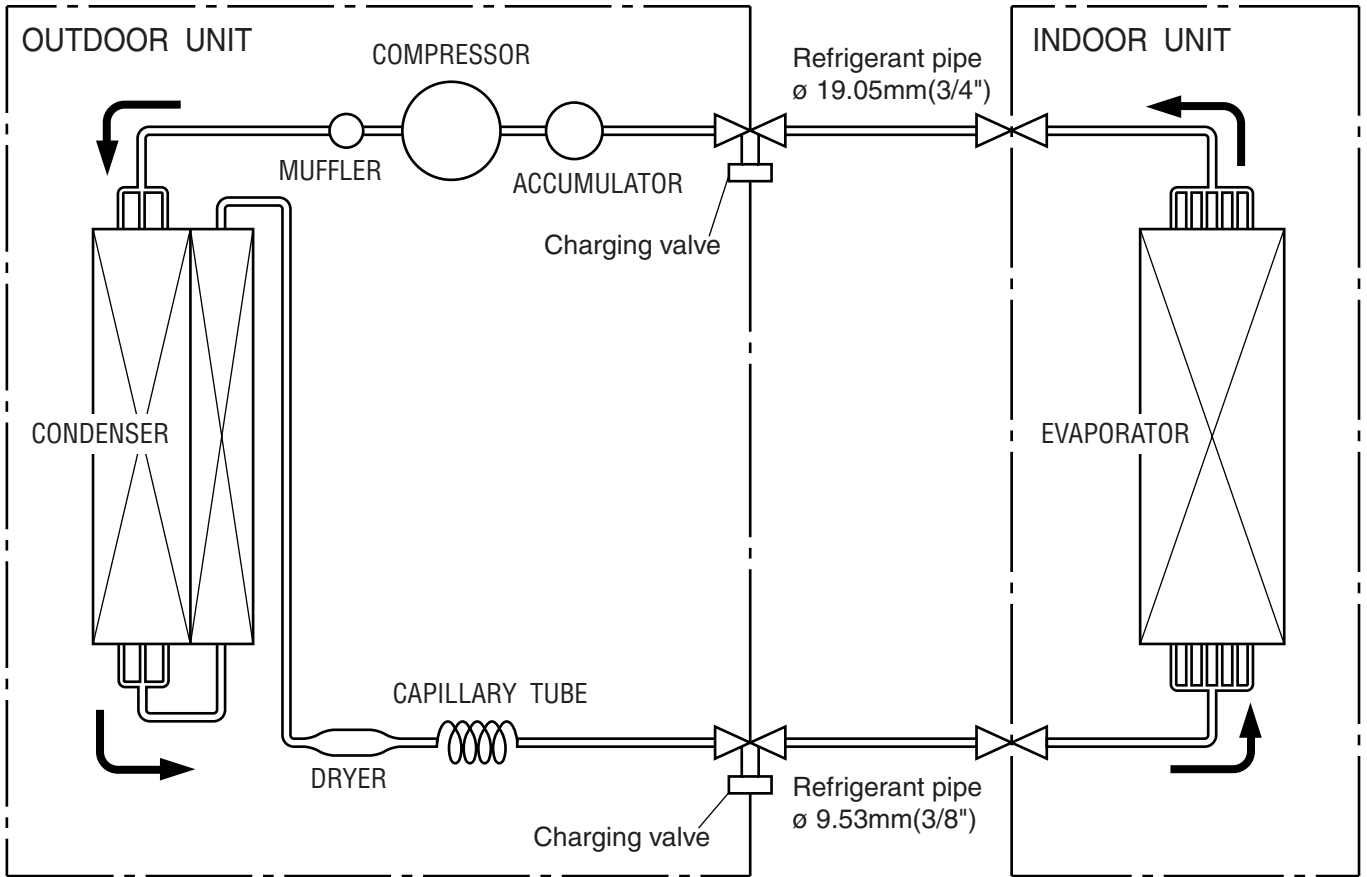


**Models : AOY36RCF3L
AOY45RCF3L
AOY54RBF3L**

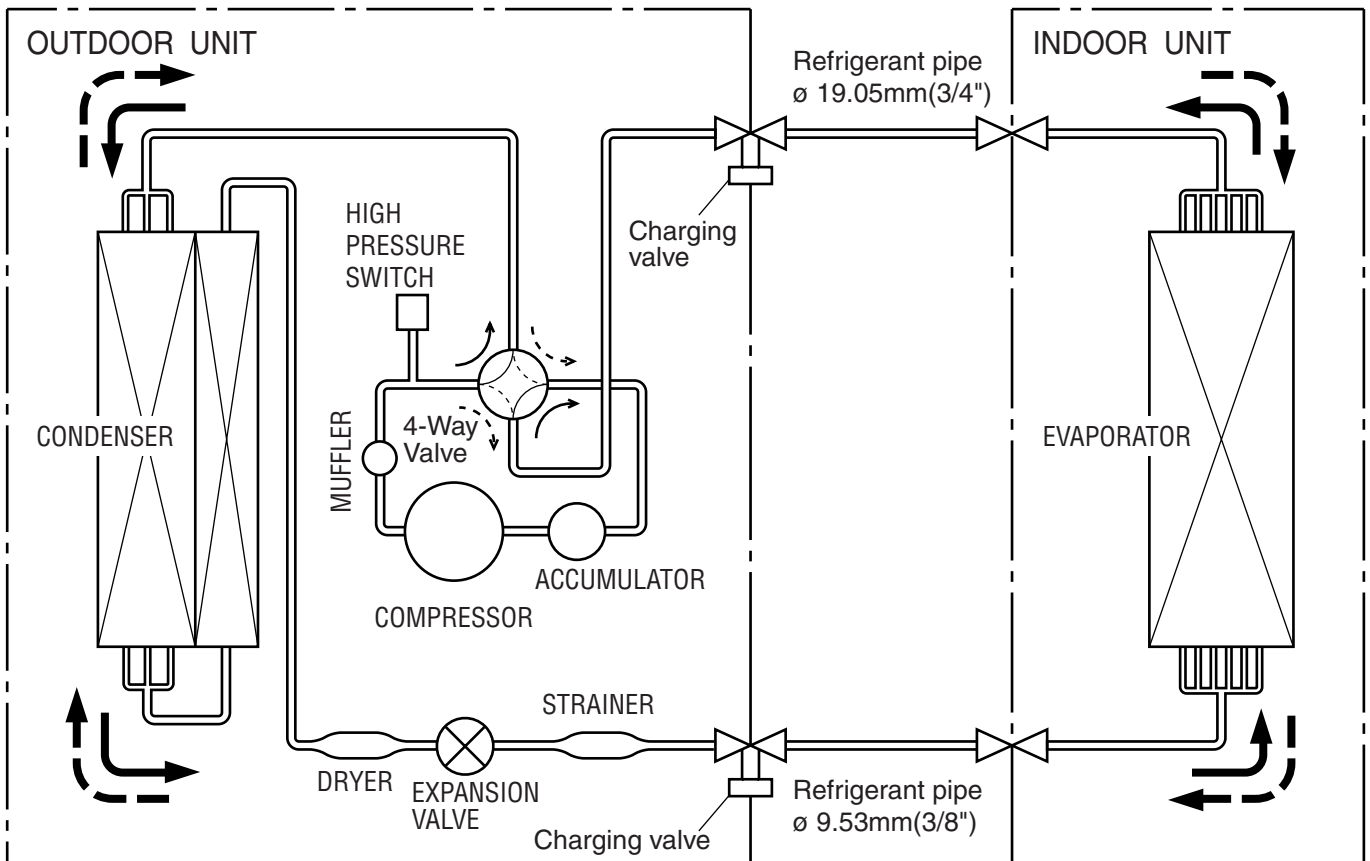


REFRIGERANT SYSTEM DIAGRAM

Models : AU Y36ALA3W / AOY36ACF3L

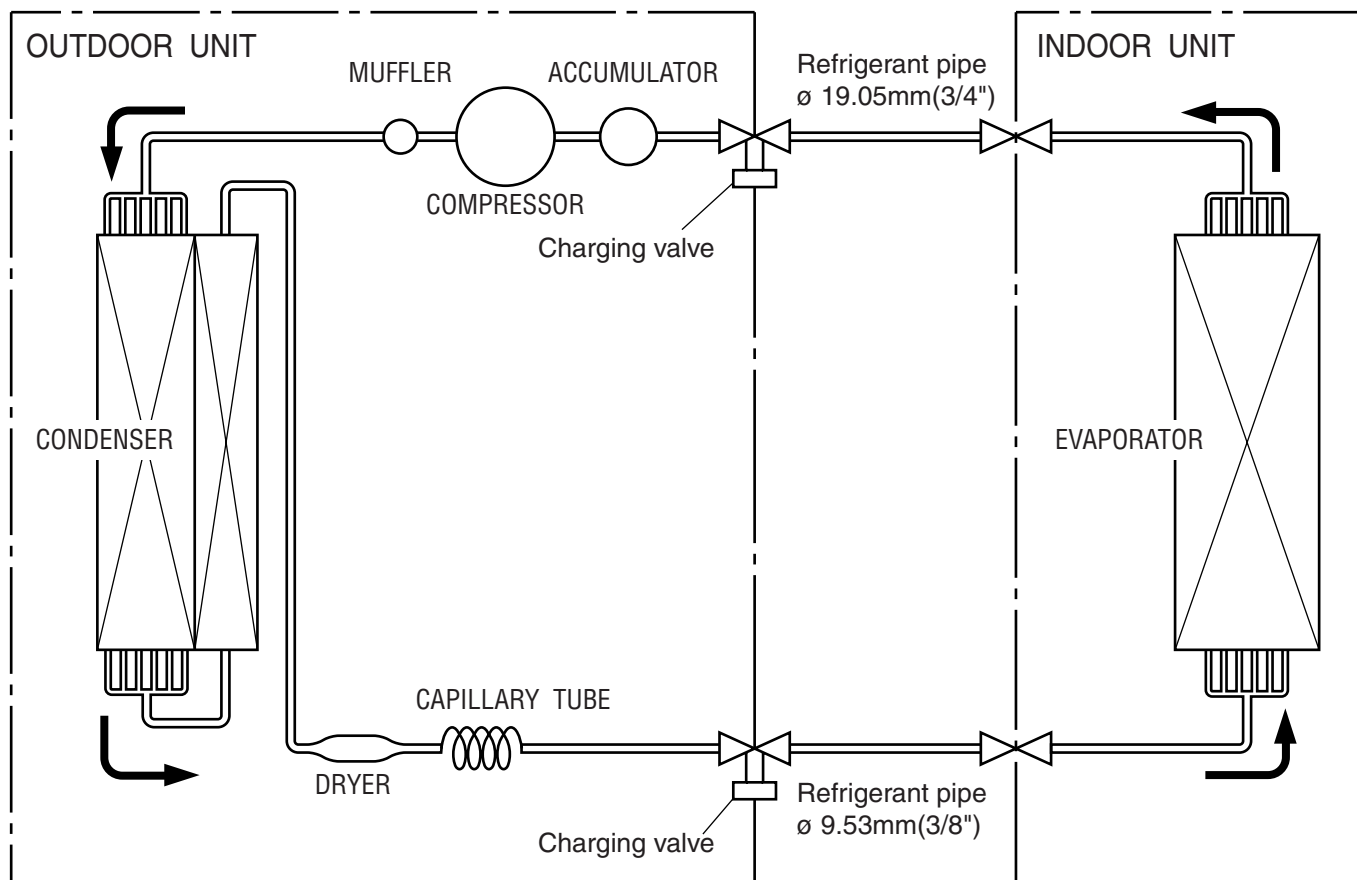


Models : AU Y36RLA3W / AOY36RCF3L

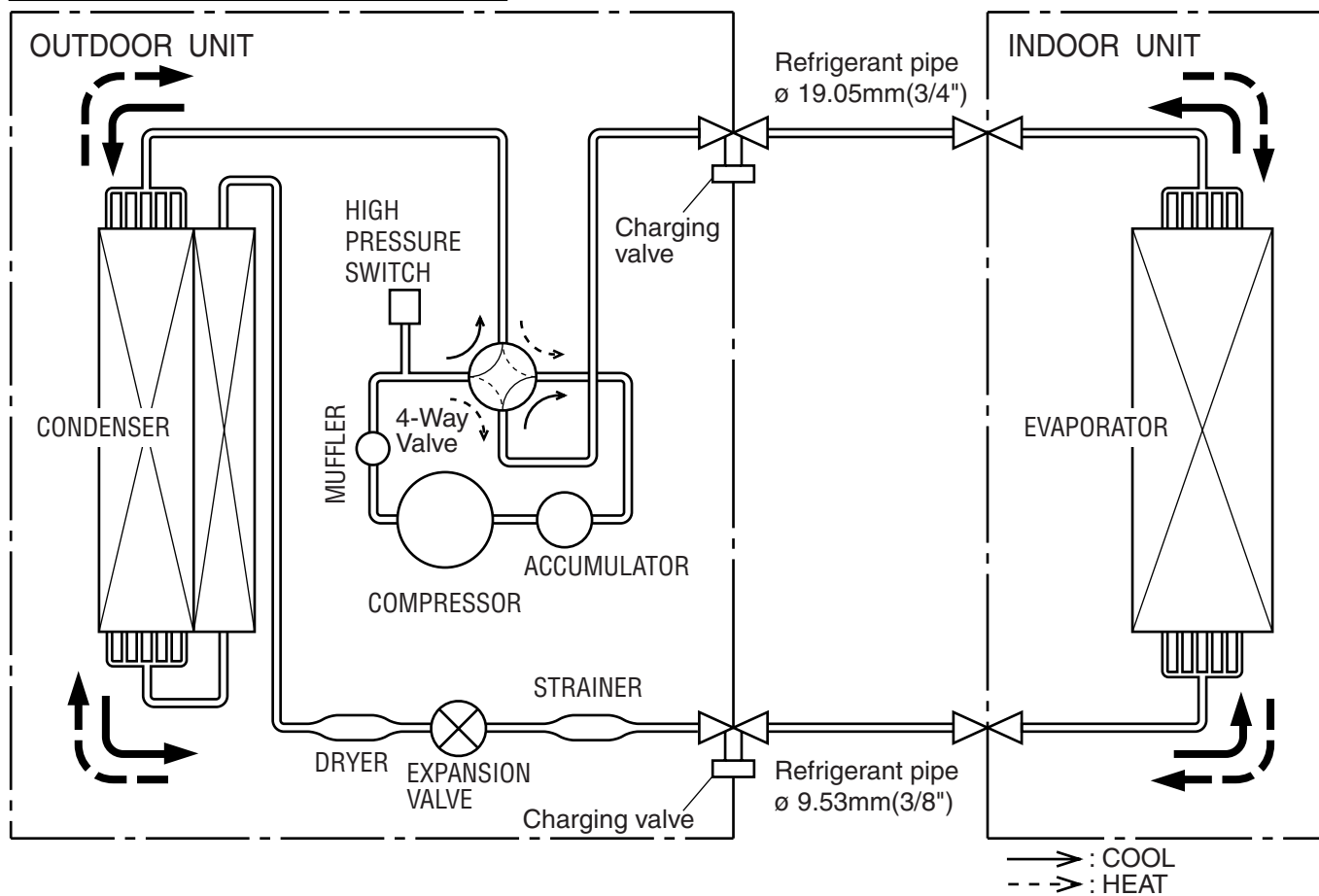


→ : COOL
 - - -> : HEAT

**Models : AUY45ALA3W / AOY45ACF3L
AUY54ALA3W / AOY54ABF3L**



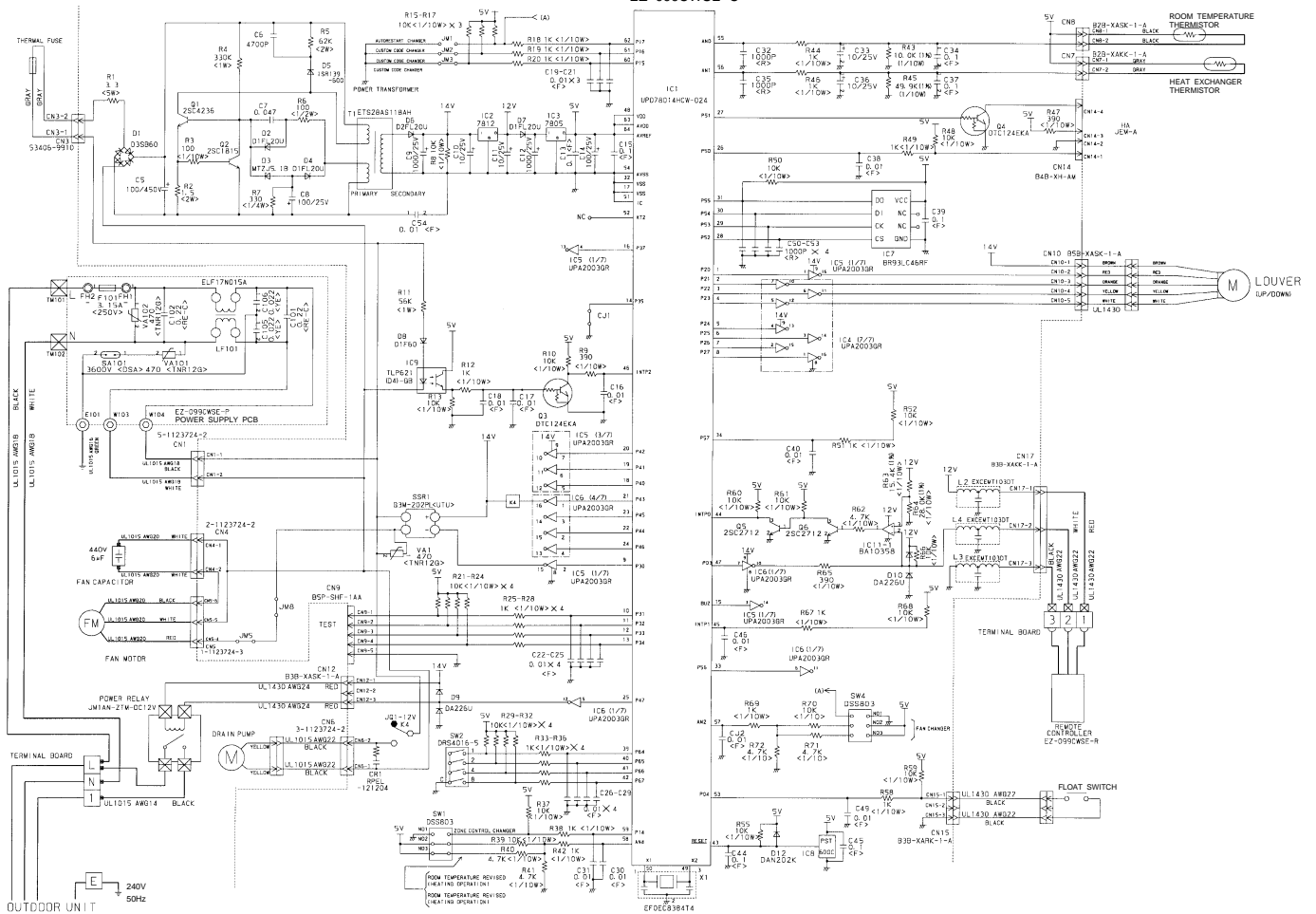
**Models : AUY45RLA3W / AOY45RCF3L
AUY54RLA3W / AOY54RBF3L**



INDOOR PRINTED CIRCUIT BOARD CIRCUIT DIAGRAM

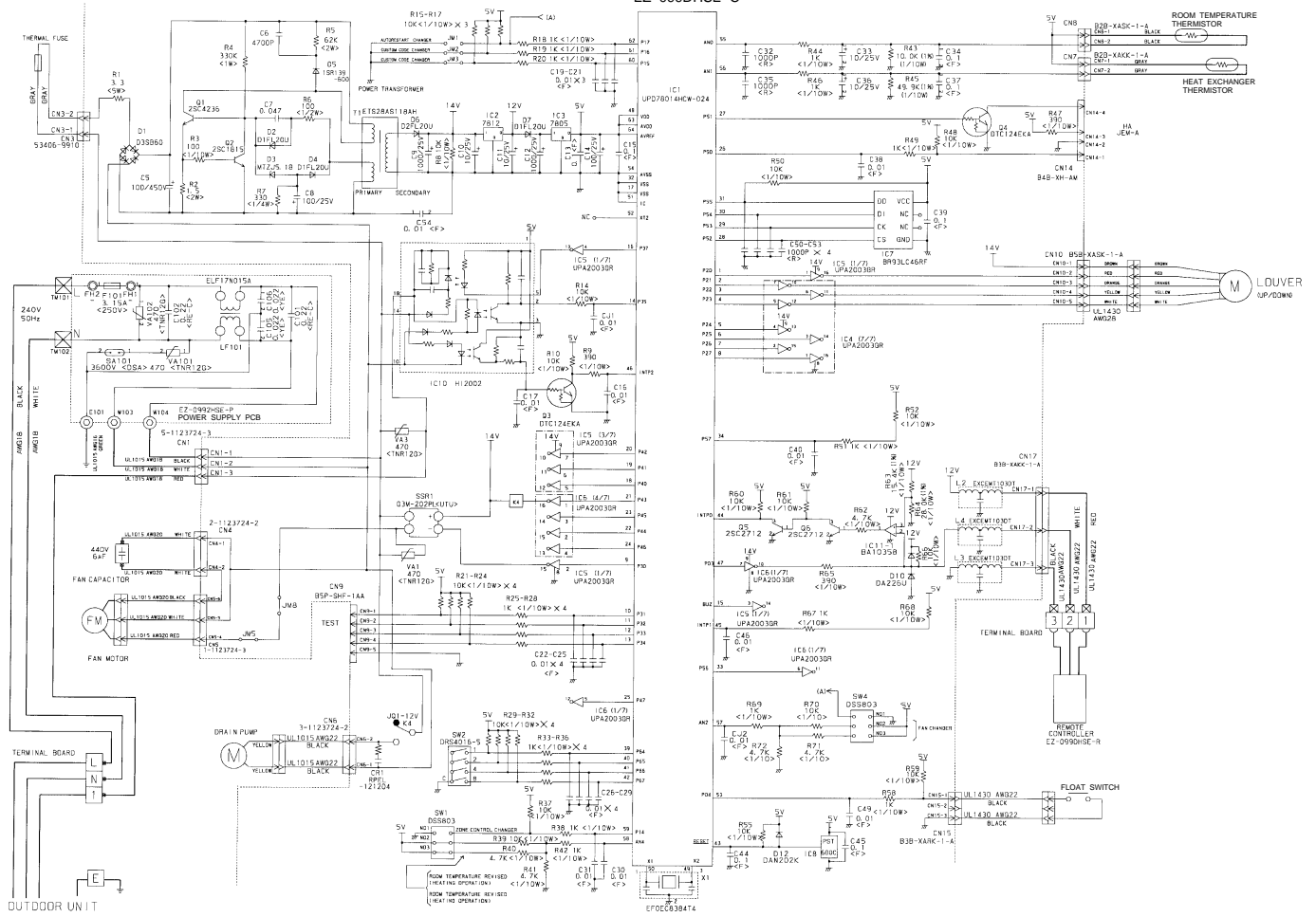
Models : AUY36LA3W
AUY45LA3W
AUY54LA3W

CONTROLLER PCB ASSEMBLY (MAIN PCB)
EZ-099CWSE-C



Models : AUY36RLA3W
 AUY45RLA3W
 AUY54RLA3W

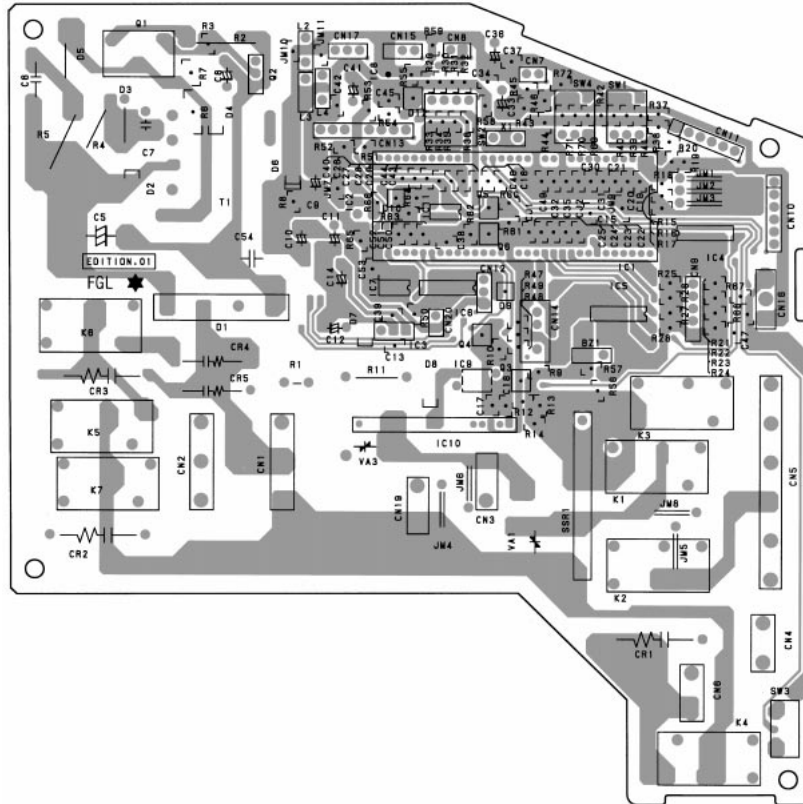
CONTROLLER PCB ASSEMBLY (MAIN PCB)
 EZ-099DHSE-C



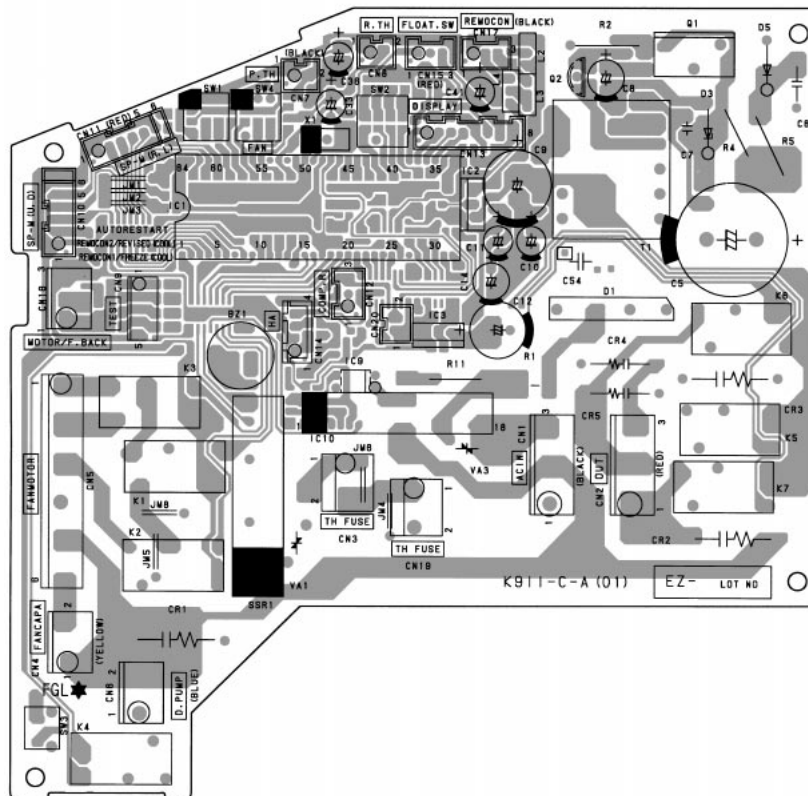
INDOOR P.C. BOARD LAYOUTS

CONTROLLER P.C. BOARD ASSEMBLY (MAIN PCB)

(Viewed from the solder side)

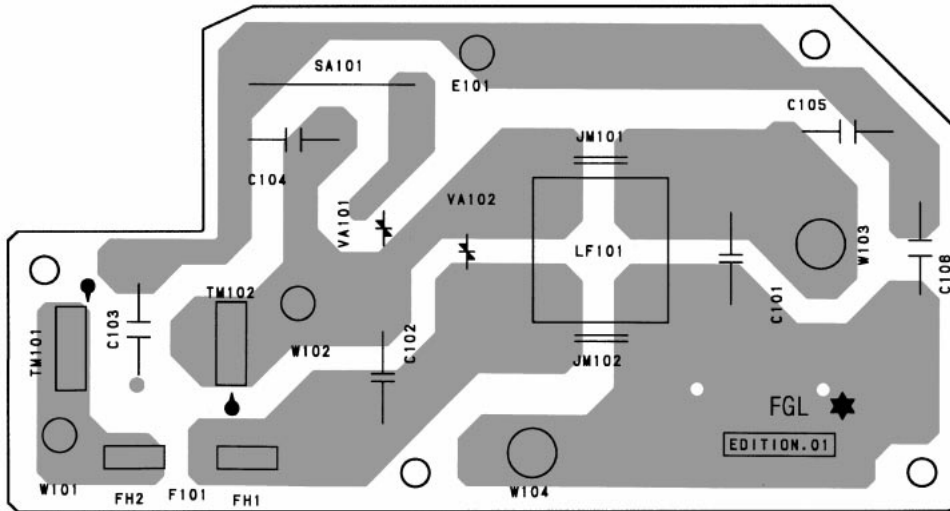


(Viewed from the component side)

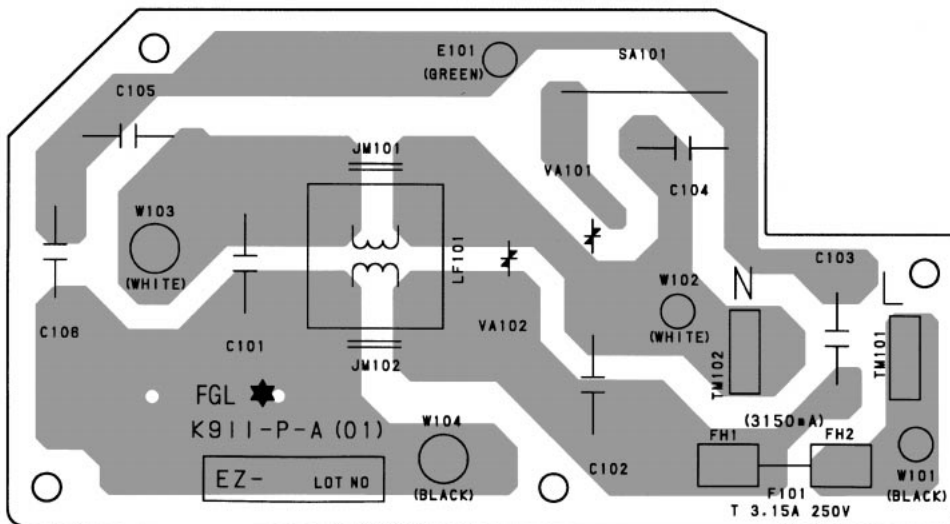


FILTER P.C. BOARD ASSEMBLY

(Viewed from the solder side)



(Viewed from the component side)



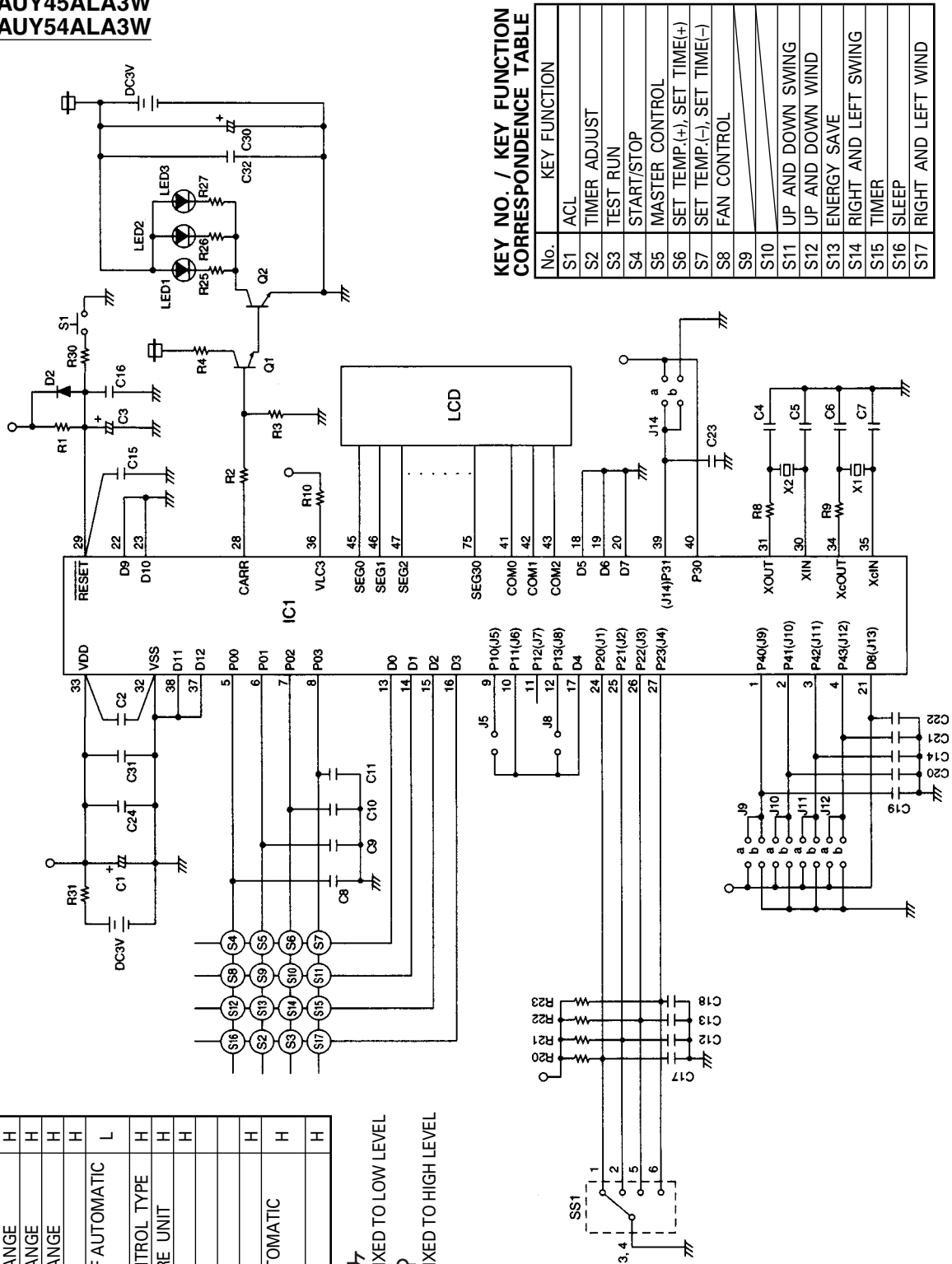
REMOTE CONTROL UNIT CIRCUIT DIAGRAM

Models : AUY36ALA3W
AUY45ALA3W
AUY54ALA3W

FUNCTION CHANGE BY THE JUMPER LINE

No.	KEY FUNCTION	
J1	TRANSMITTING CODE CHANGE	L
J2	TRANSMITTING CODE CHANGE	H
J3	TRANSMITTING CODE CHANGE	H
J4	TRANSMITTING CODE CHANGE	H
J5	DRY MODE	H
J6	TEMPERATURE DISPLAY OF AUTOMATIC OPERATION	L
J7	CHANGE OF REMOTE-CONTROL TYPE	H
J8	CHANGE OF TEMPERATURE UNIT	H
J9	AUTOMATIC OPERATION	H
J10	HEATING MODE	L
J11	24-HOUR / 12-HOUR	H
J12	QUIET	H
J13	DISPLAY CHANGE OF AUTOMATIC OPERATION	H
J14	FAN MODE	H

L: FIXED TO LOW LEVEL
H: FIXED TO HIGH LEVEL

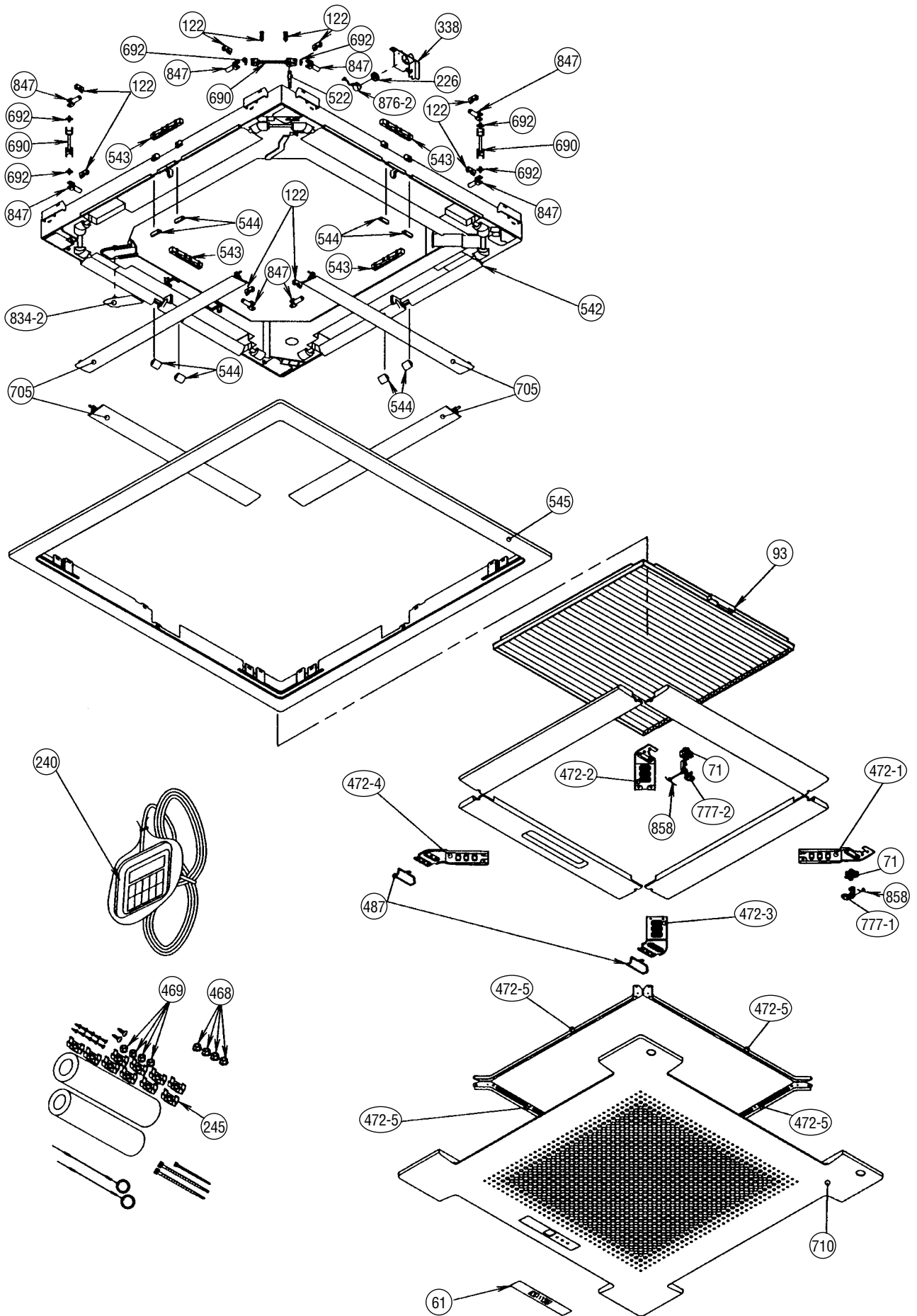


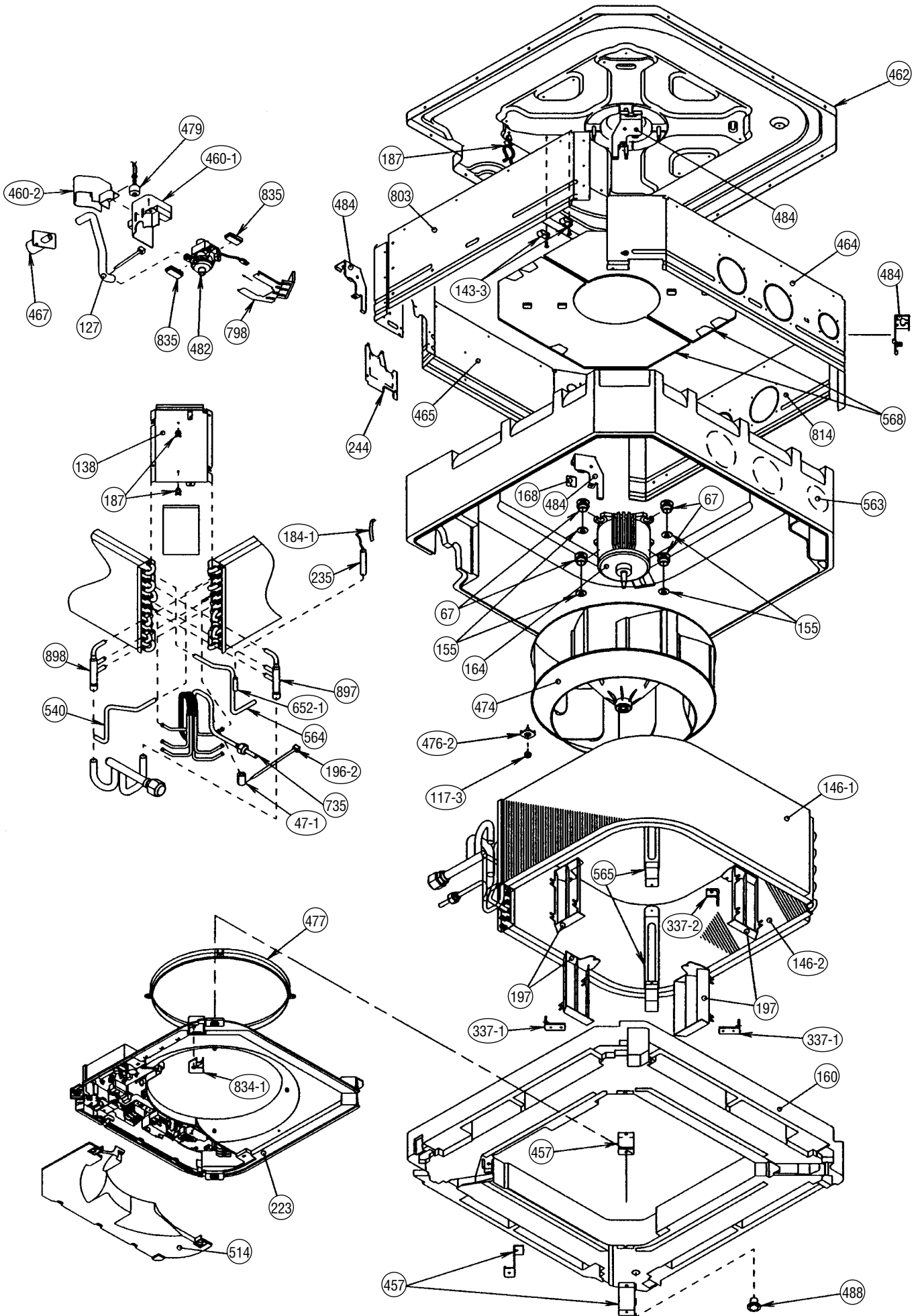
KEY NO. / KEY FUNCTION CORRESPONDENCE TABLE

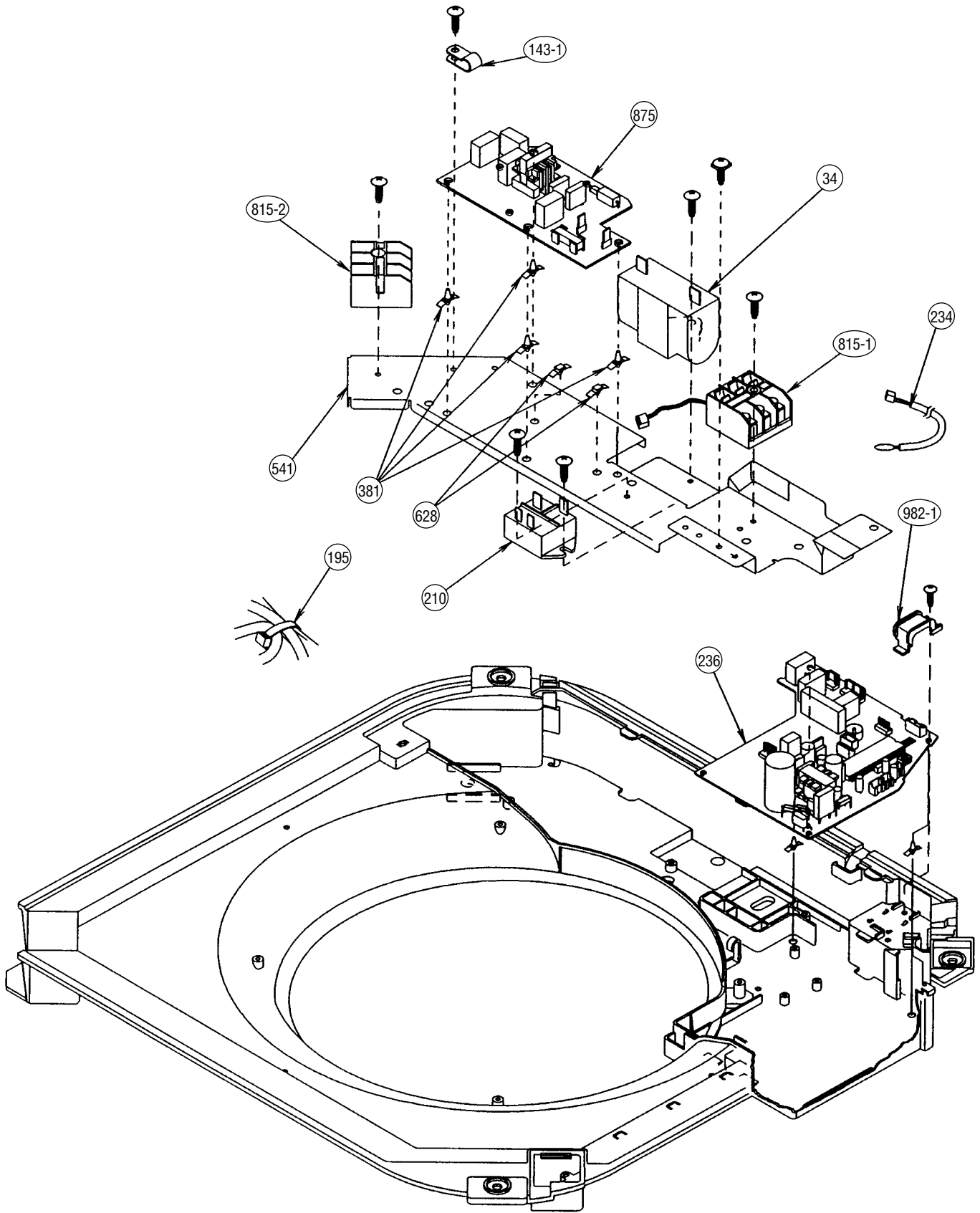
No.	KEY FUNCTION
S1	ACL
S2	TIMER ADJUST
S3	TEST RUN
S4	START/STOP
S5	MASTER CONTROL
S6	SET TEMP.(+), SET TIME(+)
S7	SET TEMP.(-), SET TIME(-)
S8	FAN CONTROL
S9	
S10	
S11	UP AND DOWN SWING
S12	UP AND DOWN WIND
S13	ENERGY SAVE
S14	RIGHT AND LEFT SWING
S15	TIMER
S16	SLEEP
S17	RIGHT AND LEFT WIND

DISASSEMBLY ILLUSTRATION

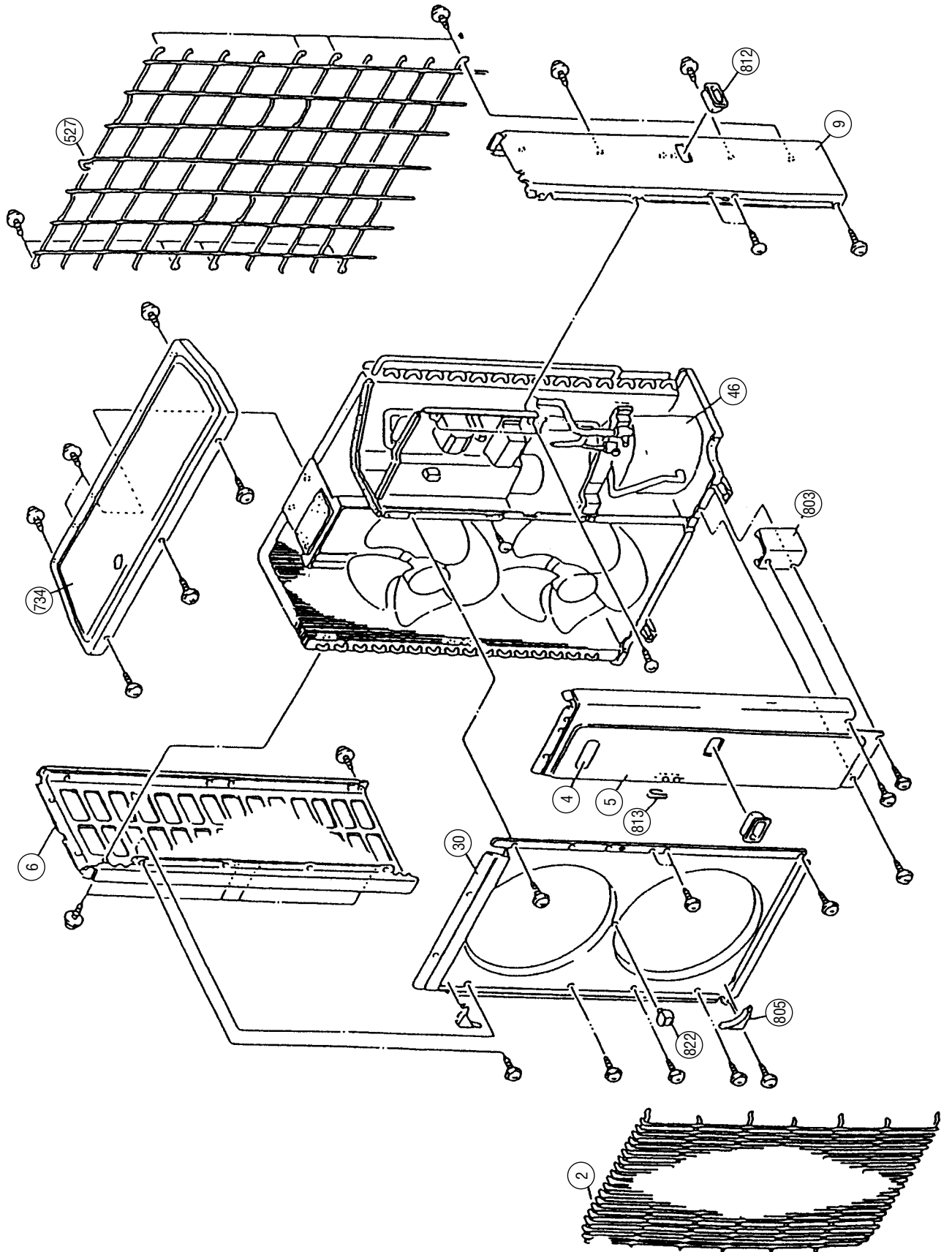
INDOOR UNIT



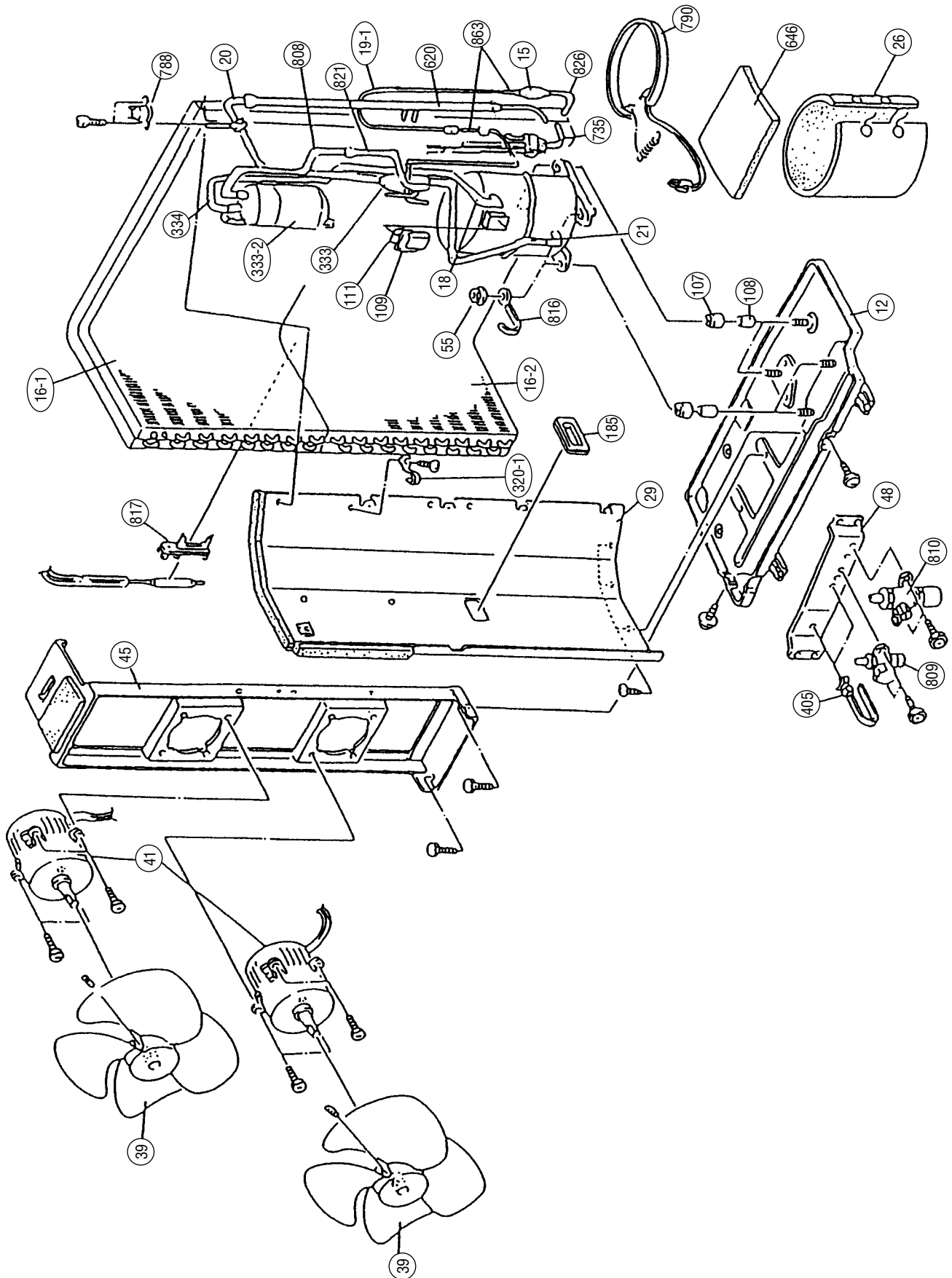




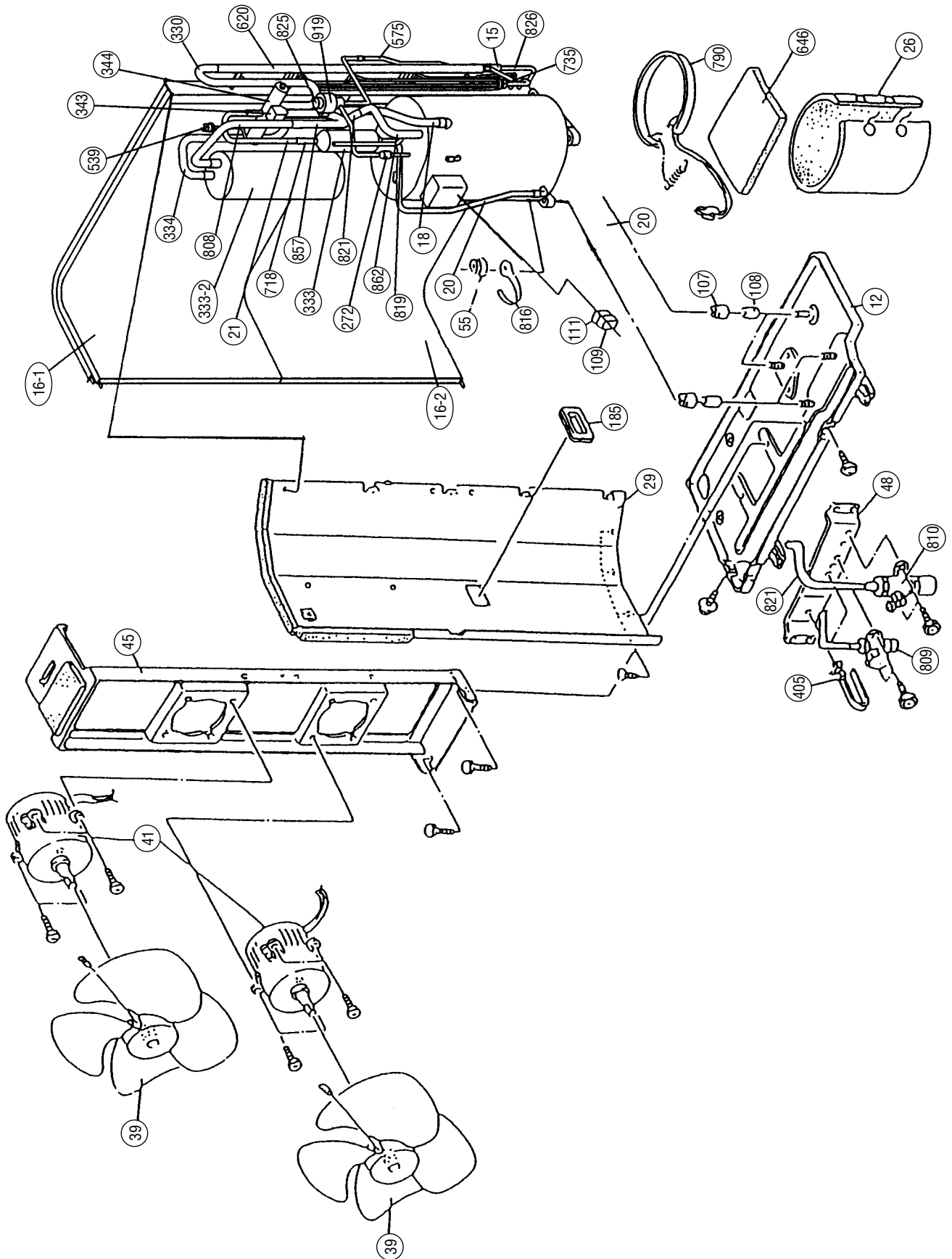
Models : AOY54 / 45 / 36



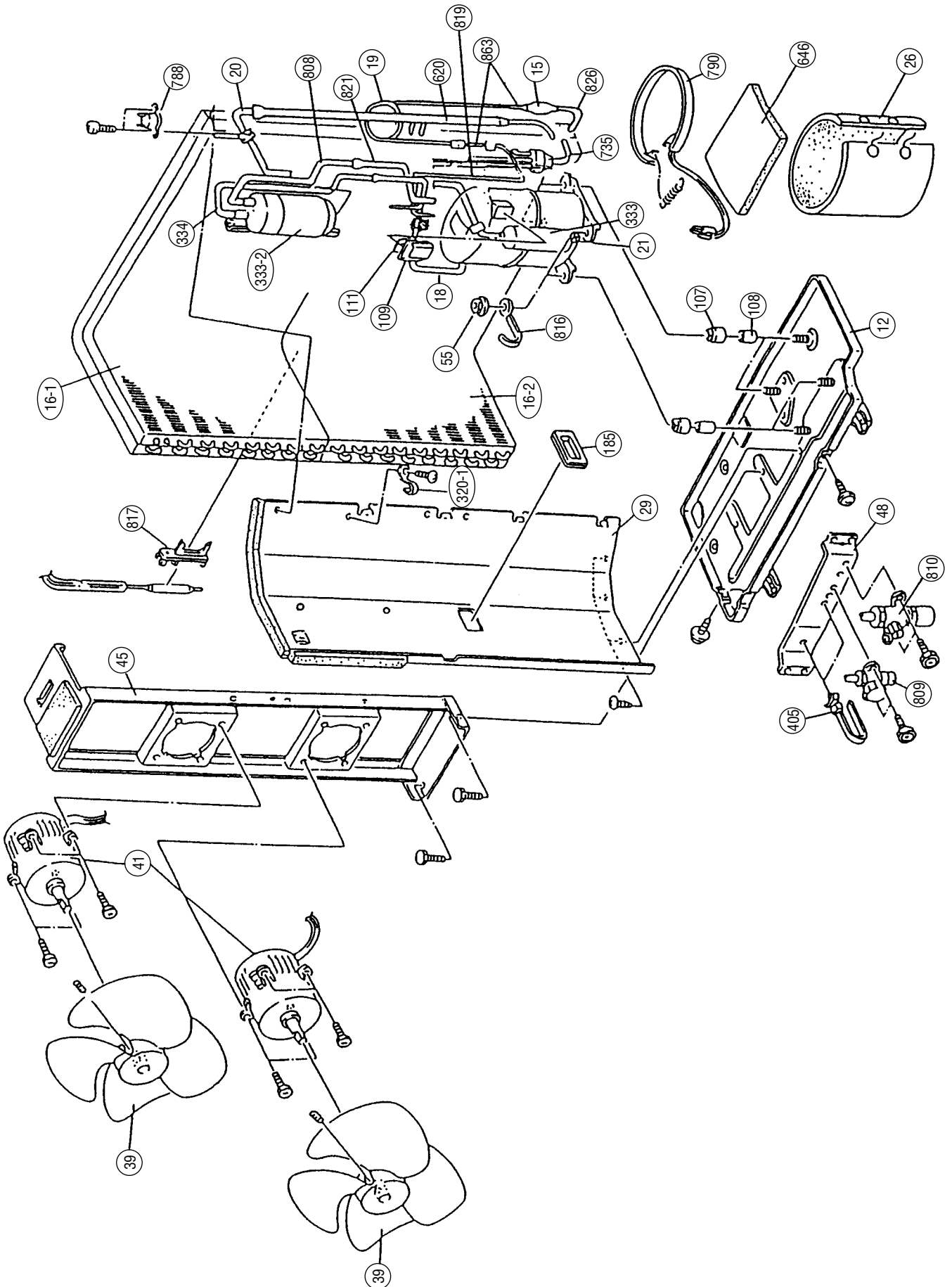
Model : AOY54ABF3L



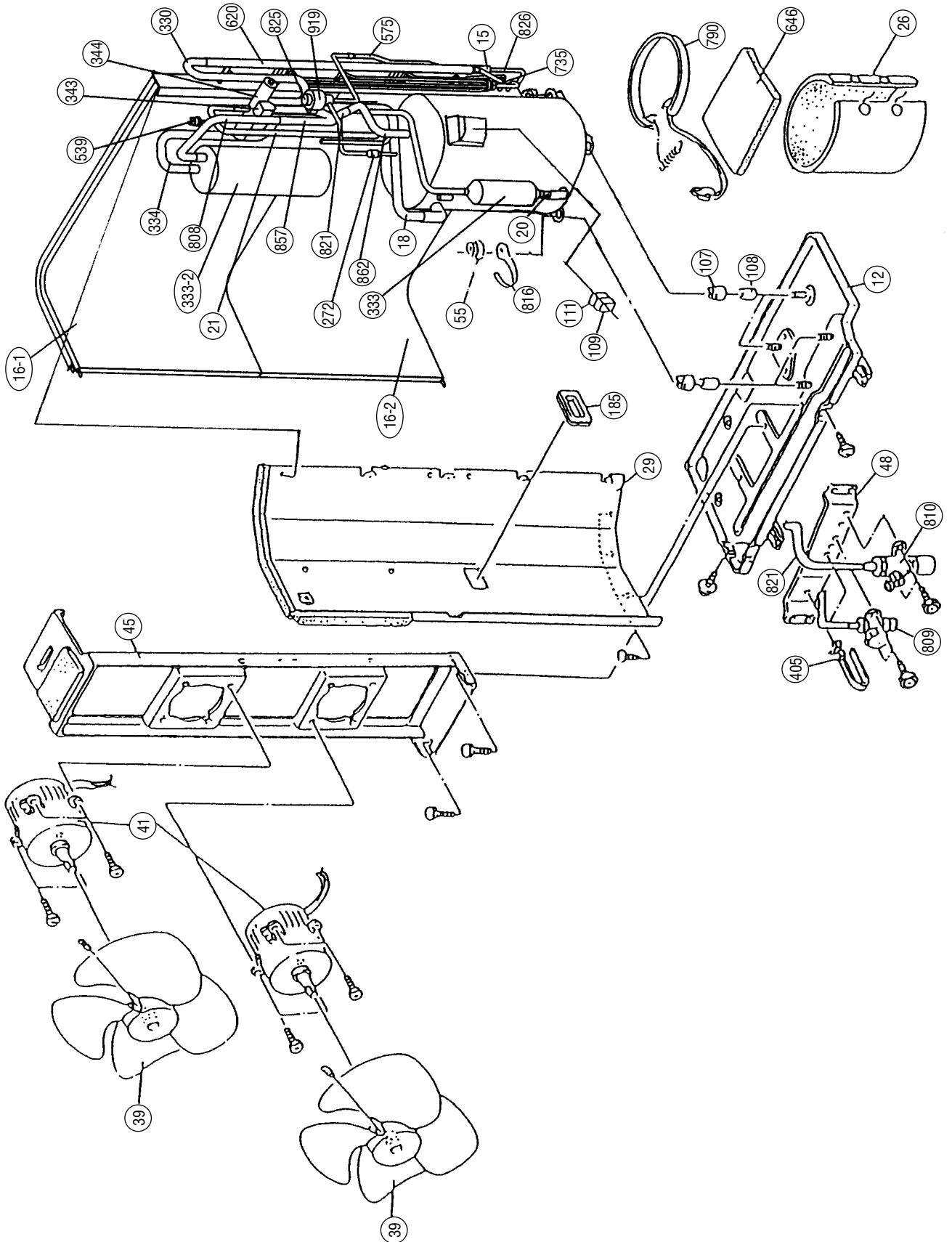
Model : AOY54RBF3L



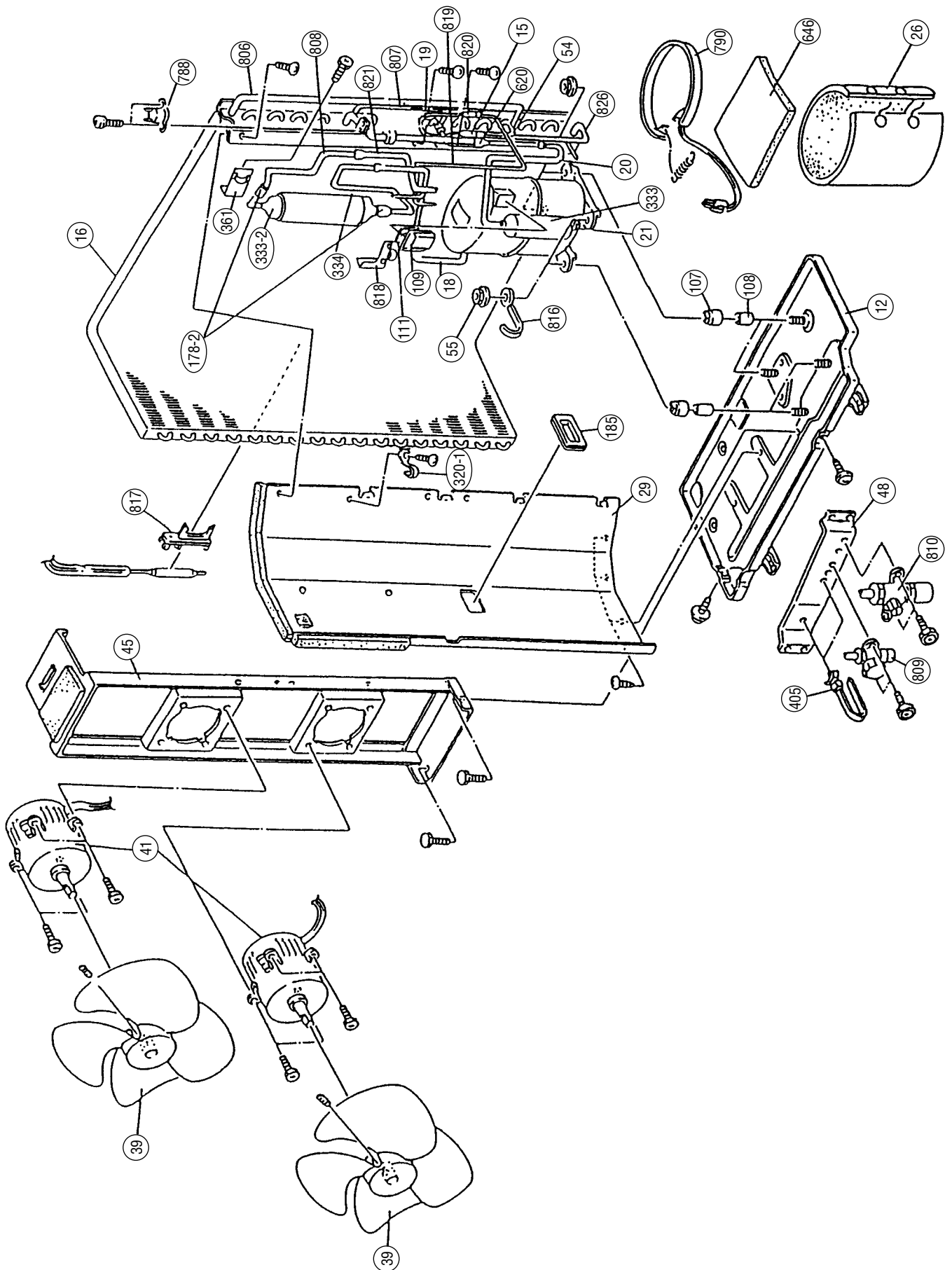
Model : AOY45ACF3L



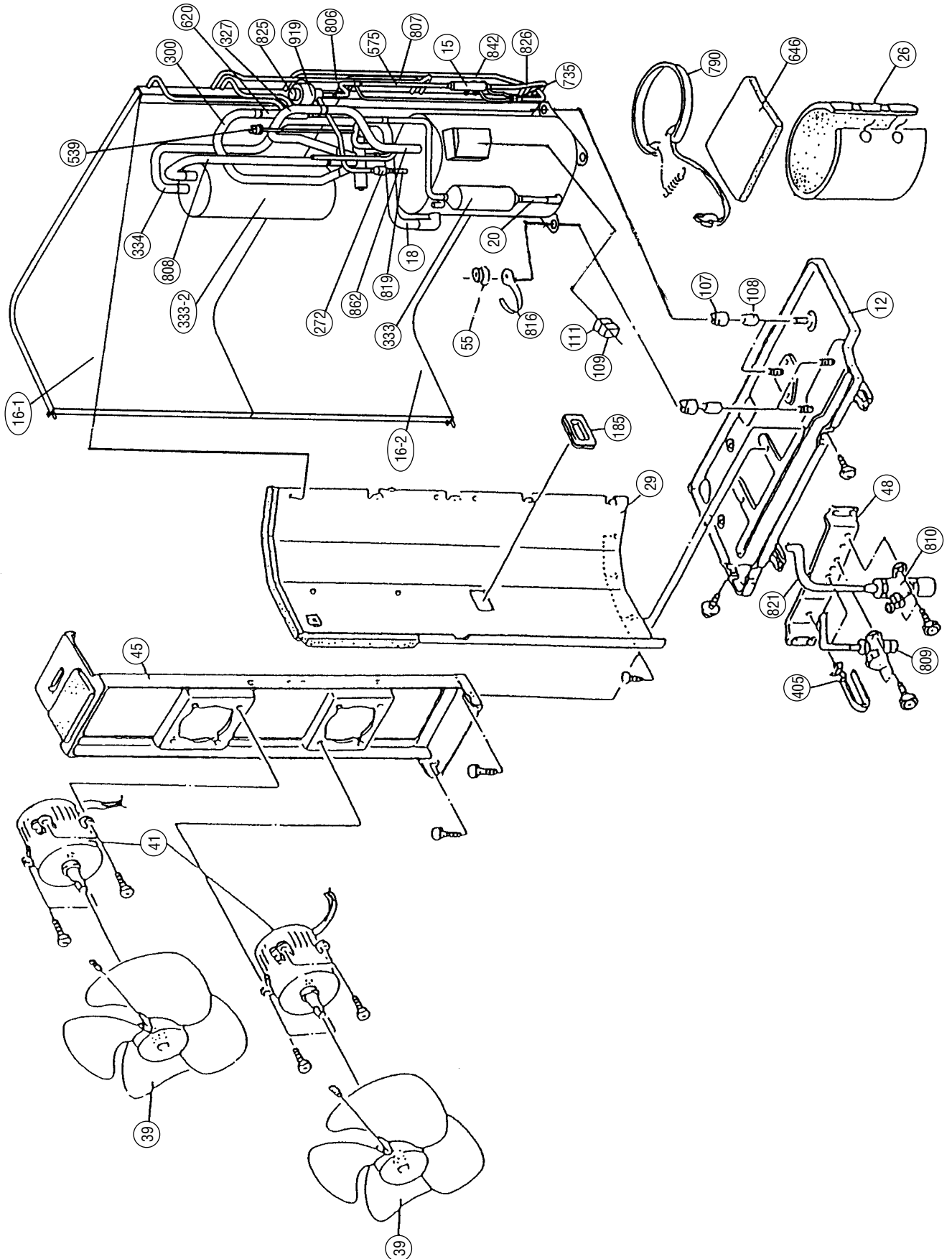
Model : AOY45RCF3L



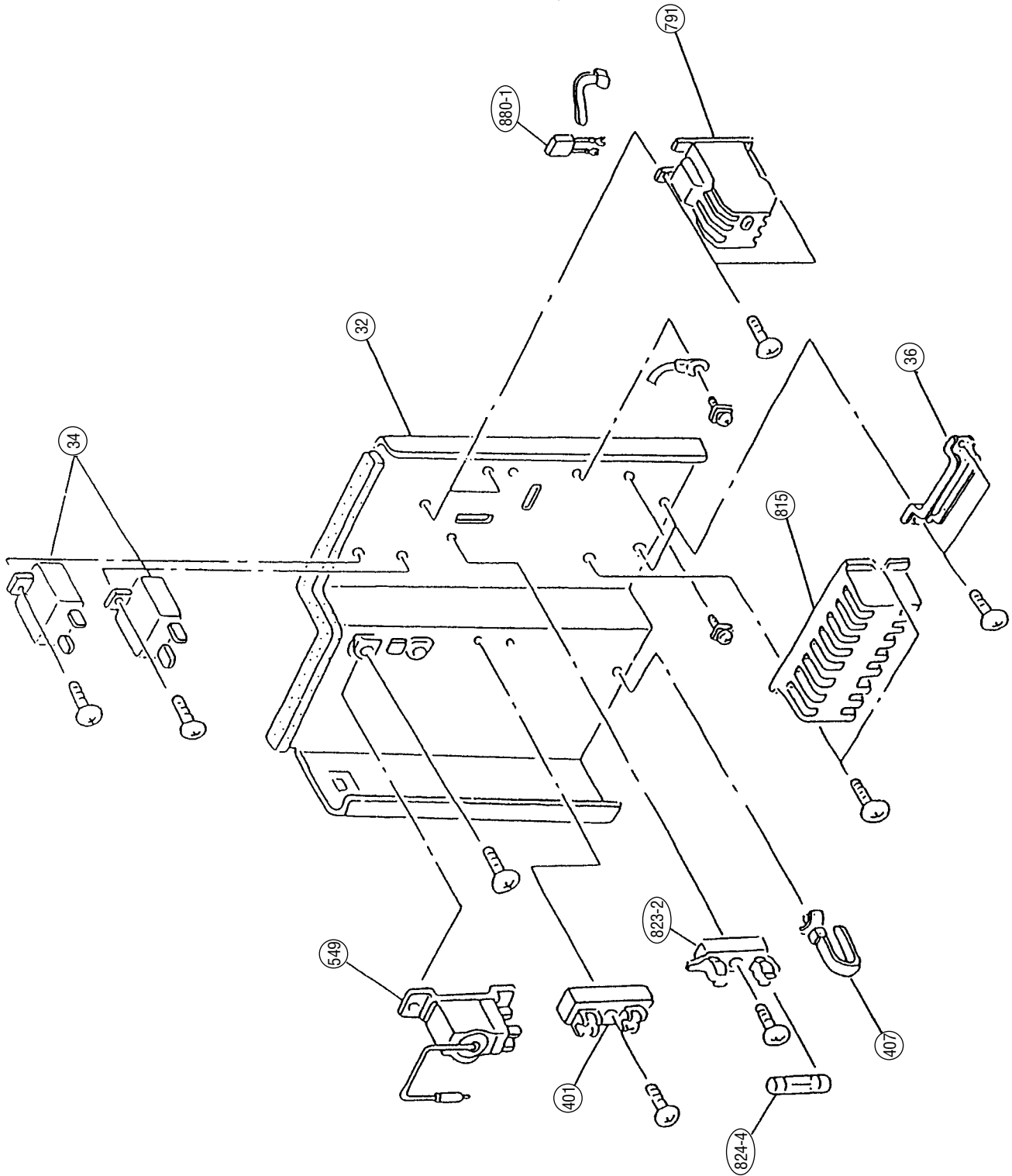
Model : AOY36ACF3L



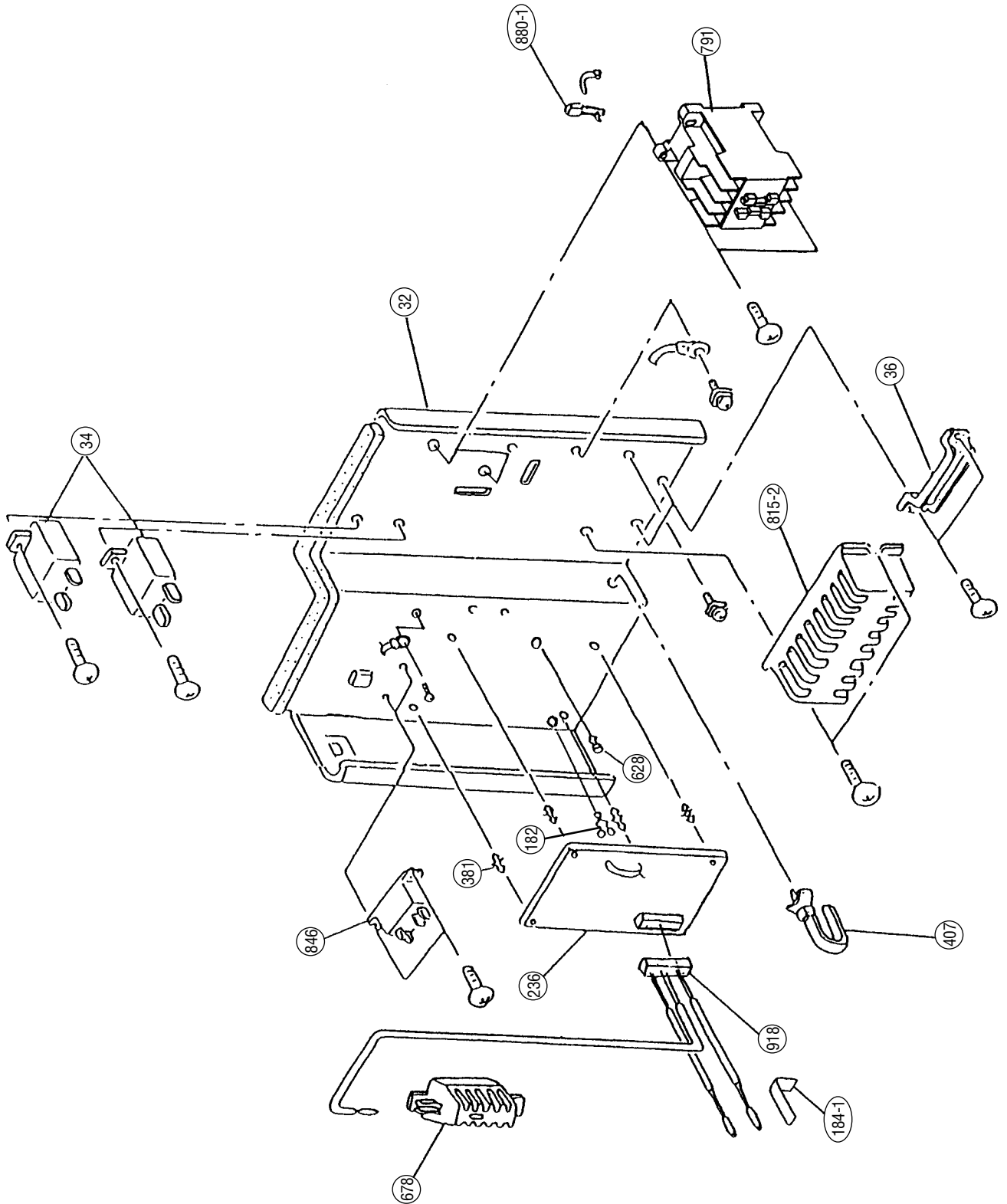
Model : AOY36RCF3L



Models : AOY36ACF3L
AOY45ACF3L
AOY54ABF3L



Models : AOY36RCF3L
AOY45RCF3L
AOY54RBF3L



PARTS LIST

INDOOR UNIT

When you order parts, please make a photocopy of this page and fill the number of the parts in the "Order" column.

Ref. No.	Description	Part No.						Ord.
		AUY36ALA3W	AUY36RLA3W	AUY45ALA3W	AUY45RLA3W	AUY54ALA3W	AUY54RLA3W	Q'ty
34	Capacitor (Fan Motor)	9703306068	9703306068	9703306068	9703306068	9703306068	9703306068	
47-1	Rubber (Discha. Pipe)	313194159807	313194159807	313194159807	313194159807	313194159807	313194159807	
61	Decoration Plate	9362787000	9362787000	9362787000	9362787000	9362787000	9362787000	
67	Rubber (Vibration Proof)	9362783002	9362783002	9362783002	9362783002	9362783002	9362783002	
71	Grille Hook Holder	9362782005	9362782005	9362782005	9362782005	9362782005	9362782005	
93	Filter	9362766005	9362766005	9362766005	9362766005	9362766005	9362766005	
117-3	Hex. Nut w / Spring Washer	301721180114	301721180114	301721180114	301721180114	301721180114	301721180114	
122	Louver Support Holder	9362799003	9362799003	9362799003	9362799003	9362799003	9362799003	
127	Drain Hose	9362784009	9362784009	9362784009	9362784009	9362784009	9362784009	
138	Separate Wall	9362737005	9362737005	9362737005	9362737005	9362737005	9362737005	
143-1	Clamp NK-3N	313361274700	313361274700	313361274700	313361274700	313361274700	313361274700	
143-3	Clamp NK-6N	9305657001	9305657001	9305657001	9305657001	9305657001	9305657001	
146-1	Evaporator-A Assy	9363149005	9363149005	9363149005	9363149005	9363149005	9363149005	
146-2	Evaporator-B Assy	9363150001	9363150001	9363150001	9363150001	9363150001	9363150001	
155	Special Nut M6	9307615016	9307615016	9307615016	9307615016	9307615016	9307615016	
160	Drain Hose Assy	9362804004	9362804004	9362804004	9362804004	9362804004	9362804004	
164	Fan Motor Assy-IN	9600878019	9600878019	9600878019	9600878019	9600878019	9600878019	
168	Cabinet-E	9362735001	9362735001	9362735001	9362735001	9362735001	9362735001	
184-1	Thermo. Spring-A	313728262708	313728262708	313728262708	313728262708	313728262708	313728262708	
187	Clamp No. 1219	313361271706	313361271706	313361271706	313361271706	313361271706	313361271706	
195	Clamp SKB-100	313361275805	313361275805	313361275805	313361275805	313361275805	313361275805	
196-2	Clamp SKB-150	313035356905	313035356905	313035356905	313035356905	313035356905	313035356905	
197	Wind Guide Board	9363117004	9363117004	9363117004	9363117004	9363117004	9363117004	
210	Main Relay	9356781007	9356781007	9356781007	9356781007	9356781007	9356781007	
223	Control Box	9362762007	9362762007	9362762007	9362762007	9362762007	9362762007	
226	Motor Gear	9362764001	9362764001	9362764001	9362764001	9362764001	9362764001	
234	Thermistor Assy-Room	9703299025	9703299025	9703299025	9703299025	9703299025	9703299025	
235	Thermistor Assy-Pipe	9703297014	9703297014	9703297014	9703297014	9703297014	9703297014	
236	Controller PCB Assy	9700637011	—	—	—	—	—	
236	Controller PCB Assy	—	9700637028	—	—	—	—	
236	Controller PCB Assy	—	—	9700637035	—	—	—	
236	Controller PCB Assy	—	—	—	9700637042	—	—	
236	Controller PCB Assy	—	—	—	—	9700637059	—	
236	Controller PCB Assy	—	—	—	—	—	9700637066	
240	Remote Control Unit	—	9703173011	—	9703173011	—	9703173011	
240	Remote Control Unit	9703173028	—	9703173028	—	9703173028	—	
244	Pipe Cover	9362748001	9362748001	9362748001	9362748001	9362748001	9362748001	
245	Cable Clamp	313714181904	313714181904	313714181904	313714181904	313714181904	313714181904	
337-1	Reinforcement (Eva.)-A	9362749008	9362749008	9362749008	9362749008	9362749008	9362749008	
337-2	Reinforcement (Eva.)-B	9362750004	9362750004	9362750004	9362750004	9362750004	9362750004	
338	Motor Holder	9362765008	9362765008	9362765008	9362765008	9362765008	9362765008	
381	Locking Spacer	313209391506	313209391506	313209391506	313209391506	313209391506	313209391506	
457	Reinforcement (Drain Pan)	9362757003	9362757003	9362757003	9362757003	9362757003	9362757003	
460-1	Pump Cover-A	9362775007	9362775007	9362775007	9362775007	9362775007	9362775007	
460-2	Pump Cover-B	9362776004	9362776004	9362776004	9362776004	9362776004	9362776004	
462	Top Cover Plate	9362806015	9362806015	9362806015	9362806015	9362806015	9362806015	
464	Cabinet-A	9362800013	9362800013	9362800013	9362800013	9362800013	9362800013	
465	Cabinet-B	9362801010	9362801010	9362801010	9362801010	9362801010	9362801010	
467	Drain Port	9362786003	9362786003	9362786003	9362786003	9362786003	9362786003	
468	Special Nut-A (Large)	313005446653	313005446653	313005446653	313005446653	313005446653	313005446653	
469	Special Nut-B (Small)	313005446759	313005446759	313005446759	313005446759	313005446759	313005446759	
472-1	Grille Reinforcement •T-A	9362738002	9362738002	9362738002	9362738002	9362738002	9362738002	
472-2	Grille Reinforcement •T-B	9362739009	9362739009	9362739009	9362739009	9362739009	9362739009	
472-3	Grille Reinforcement •T-C	9362740005	9362740005	9362740005	9362740005	9362740005	9362740005	
472-4	Grille Reinforcement •T-D	9362741002	9362741002	9362741002	9362741002	9362741002	9362741002	
472-5	Grille Reinforcement •T-E	9362742009	9362742009	9362742009	9362742009	9362742009	9362742009	
474	Turbo Fan Assy	9362803014	9362803014	9362803014	9362803014	9362803014	9362803014	
476-2	Special Washer	9362756006	9362756006	9362756006	9362756006	9362756006	9362756006	
477	Bellmouth (B)	9362774000	9362774000	9362774000	9362774000	9362774000	9362774000	
479	Float Switch	9703285004	9703285004	9703285004	9703285004	9703285004	9703285004	
482	Pump Unit	9703125010	9703125010	9703125010	9703125010	9703125010	9703125010	
484	Hook	9362736008	9362736008	9362736008	9362736008	9362736008	9362736008	
487	Grille Hinge Wire	9362754002	9362754002	9362754002	9362754002	9362754002	9362754002	
488	Drain Pan Plug	313005174654	313005174654	313005174654	313005174654	313005174654	313005174654	
514	Control Box Cover	9362763004	9362763004	9362763004	9362763004	9362763004	9362763004	
522	Joint Gear	9362772006	9362772006	9362772006	9362772006	9362772006	9362772006	
540	Bypath Pipe-B	9363152005	9363152005	9363152005	9363152005	9363152005	9363152005	

INDOOR UNIT (Continued)

When you order parts, please make a photocopy of this page and fill the number of the parts in the "Order" column.

Ref. No.	Description	Part No.						Ord.
		AUY36ALA3W	AUY36RLA3W	AUY45ALA3W	AUY45RLA3W	AUY54ALA3W	AUY54RLA3W	Q'ty
541	Terminal Plate	9363642001	9363642001	9363642001	9363642001	9363642001	9363642001	
542	Panel Base	9362759014	9362759014	9362759014	9362759014	9362759014	9362759014	
543	Panel Frame Holder	9362761017	9362761017	9362761017	9362761017	9362761017	9362761017	
544	Panel Base Holder	9362760010	9362760010	9362760010	9362760010	9362760010	9362760010	
545	Panel Frame	9362758017	9362758017	9362758017	9362758017	9362758017	9362758017	
563	Insulation (Inner Box)	9362768009	9362768009	9362768009	9362768009	9362768009	9362768009	
564	Bypass Pipe-A Assy	9363151008	9363151008	9363151008	9363151008	9363151008	9363151008	
565	Evaporator Holder Assy	9362802017	9362802017	9362802017	9362802017	9362802017	9362802017	
568	Noise Insulation	9363143003	9363143003	9363143003	9363143003	9363143003	9363143003	
628	Locking Spacer-B	313005446558	313005446558	313005446558	313005446558	313005446558	313005446558	
652-1	Thermistor Holder Pipe	313806262805	313806262805	313806262805	313806262805	313806262805	313806262805	
690	Joint-A	9362773003	9362773003	9362773003	9362773003	9362773003	9362773003	
692	Joint Shaft	9362771009	9362771009	9362771009	9362771009	9362771009	9362771009	
705	Louver	9362769013	9362769013	9362769013	9362769013	9362769013	9362769013	
710	Intake Grille	9362767019	9362767019	9362767019	9362767019	9362767019	9362767019	
735	Distributor Assy	9363154009	9363154009	9363154009	9363154009	9363154009	9363154009	
777-1	Grille Hook-A	9362779012	9362779012	9362779012	9362779012	9362779012	9362779012	
777-2	Grille Hook-B	9362778015	9362778015	9362778015	9362778015	9362778015	9362778015	
798	Pump Hook Bracket	9362753005	9362753005	9362753005	9362753005	9362753005	9362753005	
803	Cabinet-D	9362734004	9362734004	9362734004	9362734004	9362734004	9362734004	
814	Cabinet-C	9362733007	9362733007	9362733007	9362733007	9362733007	9362733007	
815-1	Terminal 3P	9306489052	9306489052	9306489052	9306489052	9306489052	9306489052	
815-2	Terminal 3P	9703345012	9703345012	9703345012	9703345012	9703345012	9703345012	
834-1	Wire Cover-A	9362789004	9362789004	9362789004	9362789004	9362789004	9362789004	
834-2	Wire Cover-B	9362788007	9362788007	9362788007	9362788007	9362788007	9362788007	
835	Cushion Rubber (Pump)	9362777001	9362777001	9362777001	9362777001	9362777001	9362777001	
847	Louver Supporter	9362770019	9362770019	9362770019	9362770019	9362770019	9362770019	
858	Grille Spring	9362755009	9362755009	9362755009	9362755009	9362755009	9362755009	
875	Filter PCB Assy	—	9703071010	—	9703071010	—	9703071010	
875	Filter PCB Assy	9703292019	—	9703292019	—	9703292019	—	
876-2	Step Motor	9360307019	9360307019	9360307019	9360307019	9360307019	9360307019	
897	Coupling Pipe-A Assy	9363153002	9363153002	9363153002	9363153002	9363153002	9363153002	
898	Coupling Pipe-B Assy	9363155006	9363155006	9363155006	9363155006	9363155006	9363155006	
982-1	Cord Clamp	9356857009	9356857009	9356857009	9356857009	9356857009	9356857009	

AOY36ACF3L
 AOY36RCF3L
 AOY45ACF3L
 AOY45RCF3L
 AOY54ABF3L
 AOY54RBF3L

OUTDOOR UNIT

When you order parts, please make a photocopy of this page and fill the number of the parts in the "Order" column.

Ref. No.	Description	Part No.						Ord. Q'ty
		AOY36ACF3L	AOY36RCF3L	AOY45ACF3L	AOY45RCF3L	AOY54ABF3L	AOY54RBF3L	
2	Fan Cover	9352159015	9352159015	9352159015	9352159015	9352159015	9352159015	
4	Emblem-Rear	9351355005	9351355005	9351355005	9351355005	9351355005	9351355005	
5	Cabinet-A, Painted	9352146015	9352146015	9352146015	9352146015	9352146015	9352146015	
6	Cabinet-C, Painted	9352149016	9352149016	9352149016	9352149016	9352149016	9352149016	
9	Cabinet-B, Painted	9352147012	9352147012	9352147012	9352147012	9352147012	9352147012	
12	Base Assy, Painted	9352136016	9352136016	9352136016	9352136016	9352136016	9352136016	
15	Dryer	9300589031	9353789006	9353789006	9353789006	9353789006	9353789006	
16	Condenser Assy	9352128011	—	—	—	—	—	
16-1	Condenser-A Assy	—	9353023001	9355338011	9355338011	9355338011	9355338011	
16-2	Condenser-B Assy	—	9353024008	9353363008	9353363008	9353363008	9353363008	
18	Suction Pipe	9352286001	9352286001	9353200006	9353200006	9358823002	9358823002	
19	Capillary Tube	9352439001	—	—	—	—	—	
19-1	Capillary Tube	—	—	9353644008	—	9363760002	—	
20	Discharge Pipe	9352288005	—	9353620002	—	—	—	
20	Discharge Pipe Assy	—	9357362007	—	9357359007	9358833001	9361553002	
21	Discharge Pipe-B	9352289002	9352289002	9353209009	9353209009	9358963005	—	
21	Discharge Pipe-B Assy	—	—	—	—	—	9363748000	
26	Compressor Cover-A	9352416002	9352416002	9353367006	9353367006	9358830000	9358830000	
29	Separate Wall Assy	9355277013	9355277013	9355277013	9355277013	9358705018	9358705018	
30	Blower Cover, Painted	9352151019	9352151019	9352151019	9352151019	9352151019	9352151019	
32	Control Box Metal	9352134012	9352134012	9352134012	9352134012	9352134012	9352134012	
34	Capacitor (Fan Motor)	9357965024	9357965024	9357965024	9357965024	9357965024	9357965024	
36	Cord Holder Metal	9356934007	9356934007	9356934007	9356934007	9356934007	9356934007	
39	Propeller Fan Assy	9300855013	9300855013	9300855013	9300855013	9300855013	9300855013	
41	Fan Motor Assy-Out	9600266014	9600266014	9600266014	9600266014	9600266014	9600266014	
45	Bracket (Motor) Assy	9352141003	9352141003	9352141003	9352141003	9352141003	9352141003	
46	Compressor Assy	9352412004	9352412004	9353157003	9353157003	9358822005	9358822005	
48	Bracket (Coupler) Assy	9355281010	9355281010	9355281010	9355281010	9355281010	9355281010	
54	Condensing Pipe-A	9352296000	—	—	—	—	—	
55	Special Nut M8	313252257701	313252257701	313252257701	313252257701	313252257701	313252257701	
107	Rubber Seat-A	9351875039	9351875039	9351875039	9351875039	9363051001	9363051001	
108	Sleeve-A	9351875046	9351875046	9351875046	9351875046	9363052008	9363052008	
109	Terminal Cover	9351875053	9351875053	9351875053	9353360007	9352456022	9352456022	
111	Terminal Packing	9351875060	9351875060	9351875060	9353361004	9352456039	9352456039	
178-2	Capillary Holder Rubber	313394274808	313394274808	313394274808	313394274808	313394274808	313394274808	
182	Clamp No. 249	—	313361271505	—	313361271505	—	313361271505	
184-1	Thermo. Spring-A	—	313728262708	—	313728262708	—	313728262708	
185	Rubber Bushing	313005066051	313005066051	313005066051	313005066051	313005066051	313005066051	
236	Controller PCB Assy	—	9703230035	—	9703230028	—	9703230011	
272	Strainer Assy	—	9354139008	—	9354139008	—	9354139008	
300	Suction Pipe-C	—	9352759000	—	—	—	—	
320-1	Wire Clamp Metal	313483219905	—	313483219905	—	313483219905	—	
327	Suction Pipe-A	—	9352754005	—	—	—	—	
330	Inlet Pipe (Cond.)-A	—	—	—	9353310002	—	9353310002	
333	Accumulator	9350363018	9350363018	9350363018	9350363018	9350363018	9350363018	
333-2	Accumulator (B)	9301942019	—	—	—	—	—	
333-2	Accumulator Assy (B)	—	9362425001	9362425001	9362425001	9362425001	9362425001	
334	Suction Pipe-B	9352557002	9352287008	9352287008	9352287008	9352287008	9352287008	
343	Solenoid Coil	—	9359616108	—	9359616108	—	9359616108	
344	4-Way Valve	—	—	9353055002	9353532008	—	9353532008	
361	Accumulator Support	9355351003	—	—	—	—	—	
381	Locking Spacer	—	313209391506	—	313209391506	—	313209391506	
401	Terminal-2P	9701971015	—	9701971015	—	9701971015	—	
405	Clamp No. 1763	313816345304	313816345304	313816345304	313816345304	313816345304	313816345304	
407	Clamp (Cable) No. 1259	313739340109	313739340109	313739340109	313739340109	313739340109	313739340109	
527	Protection Net	9352163012	9352163012	9352163012	9352163012	9352163012	9352163012	
539	Pressure Switch	—	9355094009	—	9355094009	—	9355094009	
549	Thermostat-Outdoor	9352426001	—	9352426001	—	9352426001	—	
575	Condensing Pipe-C	—	—	—	9363460001	—	9363460001	
620	Inlet Pipe (Cond.) Assy	9355316019	9352741005	9353183002	9353183002	9353183002	9353183002	
628	Locking Spacer-B	—	313005446558	—	313005446558	—	313005446558	
646	Compressor Cover-B	313986355101	313986355101	9353368003	9353368003	9353368003	9353368003	
678	Bracket (Thermistor)	—	313557406106	—	313557406106	—	313557406106	
718	Discharge Pipe-C Assy	—	9363767001	—	9363761009	—	—	
718	Discharge Pipe-C	—	—	—	—	—	9359303008	
734	Cabinet Top Plate	9352161018	9352161018	9352161018	9352161018	9352161018	9352161018	
735	Distributor Assy	—	9354119000	9353187000	9353187000	9353187000	9353187000	
788	Thermostat-Overheat	9354061002	—	9354061002	—	9354061002	—	
790	Belt Heater	9361140011	9361140011	9361140028	9361140028	9358834008	9358834008	
791	Magnetic Relay	9363277005	9363277005	9363277005	9363277005	9352552007	9363277005	

OUTDOOR UNIT (Continued)

When you order parts, please make a photocopy of this page and fill the number of the parts in the "Order" column.

Ref. No.	Description	Part No.						Ord.
		AOY36ACF3L	AOY36RCF3L	AOY45ACF3L	AOY45RCF3L	AOY54ABF3L	AOY54RBF3L	Q'ty
803	Cabinet-D, Painted	9352150012	9352150012	9352150012	9352150012	9352150012	9352150012	
805	Blower Cover Corner	9352160011	9352160011	9352160011	9352160011	9352160011	9352160011	
806	Cond. Pass Pipe-A	9352294006	—	—	—	—	—	
806	Cond. Pass Pipe-A Assy	—	9355736008	—	—	—	—	
807	Cond. Pass Pipe-B	—	9354112001	—	—	—	—	
807	Cond. Pass Pipe-B Assy	9353090010	—	—	—	—	—	
808	Inlet Pipe (Accum.) Assy	9352556005	9363464009	9352285004	—	9352285004	—	
809	Ball Valve-A	9357976006	9357976006	9357976006	9357976006	9357976006	9357976006	
810	Ball Valve-B	9357982007	9357982007	9357982007	9357982007	9357982007	9357982007	
812	Grip	9352157004	9352157004	9352157004	9352157004	9352157004	9352157004	
813	Cabinet Hook	9352148002	9352148002	9352148002	9352148002	9352148002	9352148002	
815	Terminal 8P	9358640029	—	9358640029	—	9358640029	—	
815-2	Terminal 8P	—	9363276022	—	9363276022	—	9363276022	
816	Wire Clamp Metal	313584219902	313584219902	313584219902	313584219902	313584219902	313584219902	
817	Thermostat Fixture	9352164019	—	9352164019	—	9352164019	—	
818	Accumulator Support-B	9355350006	—	—	—	—	—	
819	Joint Pipe (Valve-A)	—	—	9353621009	—	9353621009	—	
819	Valve-A Coupl. Pipe	9352298004	—	—	—	—	—	
820	Joint Pipe (Capillary)	9352299001	—	—	—	—	—	
821	Joint Pipe (Valve-B)	9352284007	9352284007	9352284007	9353307002	9352284007	9353307002	
822	Fan Cover Fixture-A	9352158018	9352158018	9352158018	9352158018	9352158018	9352158018	
823-2	Fuse Holder	0500063024	—	0500063024	—	0500063024	—	
824-4	Fuse	0600222529	—	0600222529	—	0600222529	—	
825	Expansion Valve Assy	—	9363461008	—	9363453003	—	9363453003	
826	Condensing Pipe-B	9352297007	—	9353215000	9353215000	9353215000	9353215000	
833	Auxiliary Pipe Assy	9355292016	9355292016	9355292016	9355292016	9355292016	9355292016	
842	Cond. Pass Pipe-C	—	9354111004	—	—	—	—	
844	Wire Assy (Shield)-S	9352307010	—	9352307010	—	9352307010	—	
846	Relay	—	9304375005	—	9304375005	—	9304375005	
857	Inlet Pipe (Accum.)-B	—	—	—	9363459005	—	9363459005	
862	Valve-B Coupl. Pipe	—	—	—	9353309006	—	9353309006	
863	Joint Pipe (Capillary)-B	—	—	9353206008	—	9353206008	—	
880-1	Network (C-R)	9700987017	9700987017	9700987017	9700987017	9700987017	9700987017	
918	Thermistor Assy	—	9703129025	—	9703129025	—	9703129025	
919	Expansion Valve Coill	—	9363467017	—	9363467017	—	9363467017	

AUY36ALA3W
 AUY36RLA3W
 AUY45ALA3W
 AUY45RLA3W
 AUY54ALA3W
 AUY54RLA3W

When you order parts, please make a photocopy of this page and fill the number of the parts in the "Order" column.

[INDOOR UNIT]

CONTROLLER PCB ASSEMBLY (Ref. No.236)

() : Reverse cycle model

Ref. No.	Description	Part No.	Ord. Q'ty	Ref. No.	Description	Part No.	Ord. Q'ty
IC1	IC			R43	Res. 10kΩ±1%	0200279497	
IC2	IC NJM7812FA	0100462104		R45	Res. 49.9kΩ±1%	0200279824	
IC3	IC NJM7805FA	0100462081		R63	Res. 15.4kΩ±1%	0200279565	
IC4~6	Xstr ArrayμPA2003GR	0100028041		R64	Res. 28kΩ±1%	0201114445	
IC7	IC BR93LC46RF-E2	0100295016		C5	Cap. Elec. 450V 100μF	0300256060	
IC8	IC PST600CMTR	0101461120		C6	Cap. Plastic 4700pF	0300269091	
IC9	IC Photocoupler TLP621(D4)-GB	0000117074		C7	Cap. Plastic 0.047μF	0300169339	
(IC10)	IC HI2002	9701384020		C8	Cap. Elec. 25V 100μF	0301197560	
IC11	IC BA10358FE2	0101846071		C9	Cap. Elec. 25V 1000μF	0301196495	
Q1	Xstr 2SC4236	0000164047		C10,11,33,36	Cap. Elec. 25V 10μF	0301192312	
Q2	Xstr 2SC1815	0000002011		C12	Cap. Elec. 25V 1000μF	0301158264	
Q3,4	Xstr DTC124EKA	0000936033		C13,15,34,37, 39,44,45,	Cap. Ceramic 50V 0.1μF	0300311752	
Q5,6	Xstr 2SC2712	0000781053		C14	Cap. Elec. 25V 100μF	0301192350	
D1	Diode D3SB60	0000689045		C16~31,38,40, 46,49,(CJ1), CJ2	Cap. Ceramic 50V 0.01μF	0300311738	
D2,4,7	Diode D1FL20U	0000746519		C32,35,50~53	Cap. Ceramic 50V 1000pF	0300308509	
D3	Diode MTZJ5.1B	0000852166		C54	Cap. Ceramic 50V 0.01μF	0300209127	
D5	Diode 1SR139-600	0000353120		X1	Ceramic Resonator EF0EC8384T4	9701261017	
D6	Diode D2FL20	0000906500		L2~4	EMI Filter EXCEMT103DT	0400406396	
D8	Diode D1F60	0000208024		VA1,(3)	Varistor TNR12G471K	0000038010	
D9,10	Diode DA226U	0000625036		SSR1	Relay G3M-202PL-UTU	9701653010	
D12	Diode DAN202K	0000684019		K4	Relay JQ1-12V	9701316014	
R1	Res. Cement 5W 3.3Ω±10%	0200153148		CR1	CR Absorber RPEL-121204-C	9701125012	
R2	Res. Cement 2W 1.5Ω±5%	0201107119		T1	Switching Transformer ETS28AS118AH	9702727017	
R3	Res. 100Ω±5%	0200212500		SW1,4	Switch, Slide DSS803	9701392018	
R4	Res. Carbon 220kΩ±5%	0200111353		SW2	Switch, Rotary DRS4016-5	9701694013	
R5	Res. Metal 2W 47kΩ±5%	0201107652		CN1	Plug, PCB 5-1123724-2	0501321574	
R6	Res. 100Ω±5%	0200731506		(CN1)	Plug, PCB 5-1123724-3	0501321635	
R7	Res. 330Ω±5%	0200708621		CN3	Plug, PCB 53406-9910	0500951048	
R8,10,13~17, 21~24,29~32 37,39,48,50, 52,55,59~61, 66,68,70	Res. 10kΩ±5%	0200213019		CN4	Plug, PCB 2-1123724-2	0501321529	
R9,47,65	Res. 390Ω±5%	0200212647		CN5	Plug, PCB 1-1123724-3	0501321451	
R11	Res. Metal 1W 56kΩ±5%	0201106662		CN6	Plug, PCB 3-1123724-2	0501321536	
R12,18~20, 25~28,33~36, 38,42,44,46, 49,51,58,67,69	Res. 1kΩ±5%	0200212746		CN7	Plug, PCB B2B-XAKK-1-A	0501045227	
CJ1	Res. 0Ω	0200212012		CN8	Plug, PCB B2B-XASK-1-A	0501045012	
JM9	Res. 0Ω	0200230016		CN9	Plug, PCB B5P-SHF-1AA	0500006069	
R40,41,62,71,72	Res. 4.7kΩ±5%	0200212906		CN10	Plug, PCB B5B-XASK-1-A	0501045043	
				CN12	Plug, PCB B3B-XASK-1-A	0501045029	
				CN14	Plug, PCB B4B-XH-AM	0500005314	
				CN15	Plug, PCB B3B-XARK-1-A	0501045319	
				CN17	Plug, PCB B3B-XAKK-1-A	0501045357	


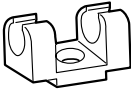
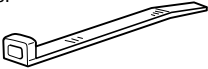




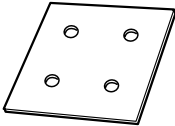

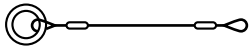
When you order parts, please make a photocopy of this page and fill the number of the parts in the "Order" column.

[OUTDOOR UNIT]
CONTROLLER PCB ASSEMBLY (Ref. No.236)



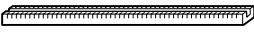
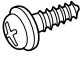
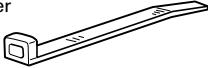


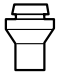

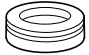
Ref. No.	Description	Part No.	Ord. Q'ty	Ref. No.	Description	Part No.	Ord. Q'ty
IC1	IC μ PD780024ACW-015	9700888017		C5	Cap. Elec. 25V 1000 μ F	030119	
IC2	IC NJM7805FA	0100462081		C6	Cap. Elec. 50V 1000 μ F	0301196495	
IC3,4	IC μ PA2003GR	0100028041		C7,14,38~41, 51~54,CJ35, CJ48	Cap. Ceramic 50V 0.01 μ F	0300316822 1738	
IC6	IC PST600CMTR	0101461120		C8,29~31	Cap. Elec. 25V 10 μ F	030119	
IC7	IC HU2001	9701651016		C10	Cap. Elec. 50V 100 μ F	0301192312	
IC9	IC NJM7824FA	0100462098		C12,13,17~19, 36,42~46	Cap. Ceramic 50V 0.1 μ F	0300312589 1752	
IC10	IC NM93C46M8-X	0101622026		C15,16,23~25	Cap. Ceramic 50V 1000pF	030030	
Q3,8,14	Xstr DTC124EKA	0000936033		C27	Cap. Elec. 450V 100 μ F	0300258509	
Q5,6	Xstr 2SC2712	0000781053		C28	Cap. Plastic 4700pF	0300266060	
Q9	Xstr 2SC4236	0000164016		C35	Cap. Plastic 50V 0.047 μ F	0300169091	
Q10	Xstr 2SC1740S	0000699235		C37	Cap. Elec. 50V 100 μ F	0301199339	
D1,23	Diode D1F60	0000208024		C47	Cap. Elec. 25V 100 μ F	0301197560	
D2,3	Diode D2FL20U	0000906500		C49	Cap. Ceramic 0.01 μ F	0300202350	
D6,7	Diode DA226U	0000625036		X1	Ceramic Resonator EFOEC8384T4	9701269127 101	
D11	Diode DAN202K	0000684019		K1~5,7	Relay JQ1-12V	9701316014	
D14	Diode D3SB60	0000689045		CR1,2,4,5	CR Absorber RPEL-121204-C	9701125012	
D19	Diode MTZJ5.1B	0000852166		T1	Switching Transformer ETS29AA175AC	9703059018	
D20	Diode 1SR139-600	0000353120		VA1~3	Varistor TNR12G471K	0000038010	
LED1~6	Diode D1FL20U	0000746519		LF1	EMI Filter ELF15N005A	0400165040	
R1,3~5	Res. 4.7k Ω \pm 5%	0200212906		SA1	Arrester RA-362M-V7-F	0600280154	
R2	Res. 10k Ω \pm 5%	0200231013		F1	Fuse BET 6.3A-250V	0600222574	
R7,8,11~13,23 ~26,30~36, 54,55,77~80	Res. 1k Ω \pm 5%	0200212746		FH1,2	Fuse Holder PFC5000-0502	0500158072	
R9,10,27,37~40, 43,44,45,47, 49,50~52,56~ 58,76	Res. 10k Ω \pm 5%	0200213019		SW1	Switch, Slide DSS804	9701393015	
R17	Res. 38.3k Ω \pm 1%	0201114575		W1	Wire w/Terminal L=330 RED	9702929015	
R18	Res. 14k Ω \pm 1%	0201114193		E	Wire w/Terminal L=100 GRN	9702313012	
R19	Res. 6.65k Ω \pm 1%	0201113806		HT1	Heat Sink PUE56-30	9703347016	
R46	Res. Cement 3.3k Ω \pm 5%	0200244372		CN2,15	Plug, PCB B2P3-VH-B-Y	0500011827	
R59~62	Res. 10 Ω \pm 5%	0200230269		CN3	Plug, PCB B4P7-VH-B	0500011742	
R67	Res. 1.5 Ω \pm 5%	0201107119		CN4	Plug, PCB 179844-1	0501121013	
R68	Res. Metal 1W 330k Ω \pm 5%	0200372136		CN6	Plug, PCB 179844-4	0501121037	
R69	Res. 100 Ω \pm 5%	0200212500		CN7	Plug, PCB B2P3-VH-B-C	0500011773	
R70	Res. 330 Ω \pm 5%	0200230627		CN9	Plug, PCB B6B-XAKK-1-A	0501045425	
R71	Res. 100 Ω \pm 5%	0200731506		CN10	Plug, PCB B3B-XASK-1-A	0501045029	
R81	Res. Metal 2W 62k Ω \pm 5%	0201107997		CN11	Plug, PCB B6B-XASK-1-A	0501045050	
CJ26~28,37	Res. 0 Ω	0200212012		CN13	Plug, PCB B2P-VH-B	0500011124	
C1,2	Cap. Plastic 0.22 μ F	0300304099		CN14	Plug, PCB B5P-SHF-1AA	0500006069	
C3,4	Cap. Plastic 0.022 μ F	0301052098		CN16	Plug, PCB B4P7-VH-B-R	0500011797	

STANDARD ACCESSORIES

INDOOR UNIT ACCESSORIES

Name and Shape	Part No.
Coupler heat insulation 	9350716029 } 9352766015 } 1 each
Remote control unit cord clamp 	313714181904
Binder 	313035356905 (Large) 313361275805 (Small)
Screw 	(A) 301141134166 For installing the mounting bracket (B) 301141153027 For installing the cord clamp
Special nut A (large flange) 	313005446653
Special nut B (small flange) 	313005446759
Remote control unit 	(Cooling model) 9703173028 (Cooling & Heating model) 9703173011
Template 	9363173000
Blower cover insulation 	9363265002
Hook wire 	9363168006

OUTDOOR UNIT ACCESSORIES

Name and Shape	AOY36ACF3L	AOY45ACF3L	AOY54ABF3L	AOY36RCF3L	AOY45RCF3L	AOY54RBF3L
Power cap 	9352173011	9352173011	9352173011	9352173011	9352173011	9352173011
Auxiliary pipe assembly 	9355292016	9355292016	9355292016	9355292016	9355292016	9355292016
Edge cover 	9352436000	9352436000	9352436000	9352436000	9352436000	9352436000
Tapping screw 	301463040100	301463040100	301463040100	301463040100	301463040100	301463040100
Binder 	313035356905	313035356905	313035356905	313035356905	313035356905	313035356905
Putty 	303020200114	303020200114	303020200114	303020200114	303020200114	303020200114
Coupler heat insulation 	313005074759	313005074759	313005074759	313005074759	313005074759	313005074759
Pipe (drain) 	—	—	—	313728031005	313728031005	313728031005
Flexible tube 	—	—	—	313013042915	313013042915	313013042915
Cap (drain) 	—	—	—	313166024302	313166024302	313166024302