

**SPLIT TYPE  
AIR CONDITIONER**

**CASSETTE** type (50Hz)

# SERVICE MANUAL

Models	Indoor unit	Outdoor unit
	AUY25ALC-W	AOY25AZCL
	AUY25RLC-W	AOY25RZCL
	AUY30ALC-W	AOY30ABML
	AUY30RLC-W	AOY30RBML

## CONTENTS

SPECIFICATIONS .....	1
OUTLINE AND DIMENSIONS .....	3
CIRCUIT DIAGRAM .....	5
REFRIGERANT SYSTEM DIAGRAM .....	8
INDOOR PRINTED CIRCUIT BOARD CIRCUIT DIAGRAM .....	10
OUTDOOR PRINTED CIRCUIT BOARD CIRCUIT DIAGRAM .....	12
INDOOR P.C. BOARD LAYOUTS .....	14
OUTDOOR P.C. BOARD LAYOUTS .....	16
DISASSEMBLY ILLUSTRATION .....	17
PARTS LIST .....	34

# SPECIFICATIONS

TYPE		COOLING	COOLING & HEATING
MODEL	IN	AUY25ALC-W	AUY25RLC-W
	OUT	AOY25AZCL	AOY25RZCL
COOLING CAPACITY	kW	7.00 - 7.10	6.95 - 7.05
HEATING CAPACITY	kW	—	7.75 - 8.00

POWER SOURCE	V	220 - 240	
	Hz	50	
RUNNING CURRENT (A)	COOL	12.8 - 13.2	12.7 - 13.0
	HEAT	—	12.0 - 12.3
INPUT WATTS (kW)	COOL	2.64 - 2.77	2.70 - 2.80
	HEAT	—	2.50 - 2.60
E.E.R. (kW/kW)	COOL	2.65 - 2.56	2.57 - 2.52
	HEAT	—	3.10 - 3.08
STARTING CURRENT	A	82	
MOISTURE REMOVAL	ℓ/h	2.5	

## COMPRESSOR

TYPE			Hermetic, 2 pole, Single phase, Induction motor	
CODE			AWG 5532EXC	
REFRIGERANT	R-22	g	2,000	2,100

FAN SPEED (r.p.m.)	INDOOR	HIGH	490	
		MED	430	
		LOW	360	
OUTDOOR		720		
AIR FLOW	INDOOR	m <sup>3</sup> /h	1,100	
	OUTDOOR		3,000	
DIMENSIONS H x W x D (mm)	NET	IN	246 x 830 x 830	
		GRILLE	35 x 940 x 940	
		OUT	700 x 900 x 350	
WEIGHTS [NET/GROSS] (kg)	IN	34 / 44		
	OUT	67 / 77	70 / 80	
MAX PIPE LENGTH/HEIGHT	m	25 / 15		
REMOTE CONTROLLER TYPE			WIRED	

## ADDITIONAL REFRIGERANT CHARGE

MODELS		PIPE LENGTH					Additional refrigerant
		5 m (16 ft.)	10 m (33 ft.)	15 m (49 ft.)	20 m (66 ft.)	25 m (82 ft.)	
FULL CHARGE AMOUNT	AUY25ALC-W	2,000 g (70.5 oz)	2,060 g (72.7 oz)	2,120 g (74.8 oz)	2,180 g (76.9 oz)	2,240 g (79.0 oz)	12 g/m (0.4 oz / 3.3 ft.)
	AUY25RLC-W	2,100 g (74.1 oz)	2,350 g (82.9 oz)	2,600 g (91.7 oz)	2,850 g (100.5 oz)	3,100 g (109.3 oz)	50 g/m (1.8 oz / 3.3 ft.)

TYPE		COOLING	COOLING & HEATING
MODEL	IN	AUY30ALC-W	AUY30RLC-W
	OUT	AOY30ABML	AOY30RBML
COOLING CAPACITY	kW	8.60 - 8.80	8.60 - 8.80
HEATING CAPACITY	kW	—	8.80 - 9.10

POWER SOURCE	V	220 - 240	
	Hz	50	
RUNNING CURRENT (A)	COOL	15.8 - 16.3	16.0 - 16.5
	HEAT	—	14.1 - 14.6
INPUT WATTS (kW)	COOL	3.30 - 3.40	3.35 - 3.45
	HEAT	—	2.90 - 3.00
E.E.R. (kW/kW)	COOL	2.61 - 2.59	2.57 - 2.55
	HEAT	—	3.03 - 3.03
STARTING CURRENT	A	80	
MOISTURE REMOVAL	ℓ/h	4.0	

#### COMPRESSOR

TYPE			Hermetic, 2 pole, Single phase, Induction motor	
CODE			H23A42QABKA	
REFRIGERANT	R-22	g	2,650	2,700

FAN SPEED (r.p.m.)	INDOOR	HIGH	540	
		MED	480	
		LOW	390	
	OUTDOOR		730	760
AIR FLOW	INDOOR	m <sup>3</sup> /h	1,200	
	OUTDOOR		3,320	3,450
DIMENSIONS H x W x D (mm)	NET	IN	246 x 830 x 830	
		GRILLE	35 x 940 x 940	
		OUT	900 x 900 x 350	
WEIGHTS [NET/GROSS] (kg)		IN	34 / 44	
		OUT	85 / 97	
MAX PIPE LENGTH/HEIGHT	m		30 / 15	25 / 15
REMOTE CONTROLLER TYPE			WIRED	

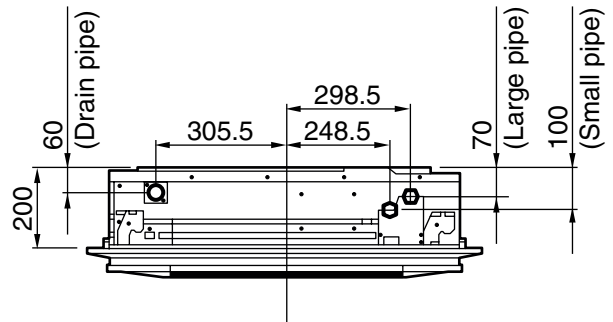
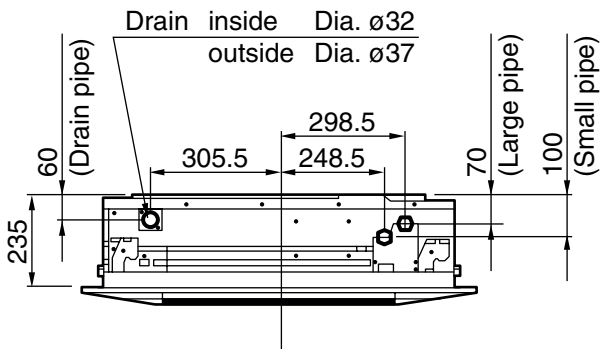
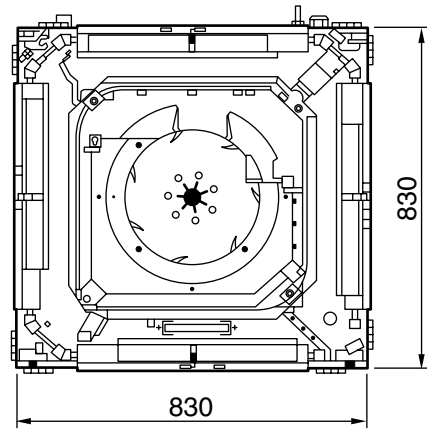
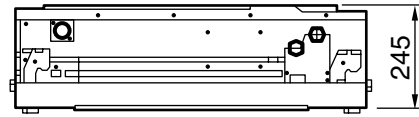
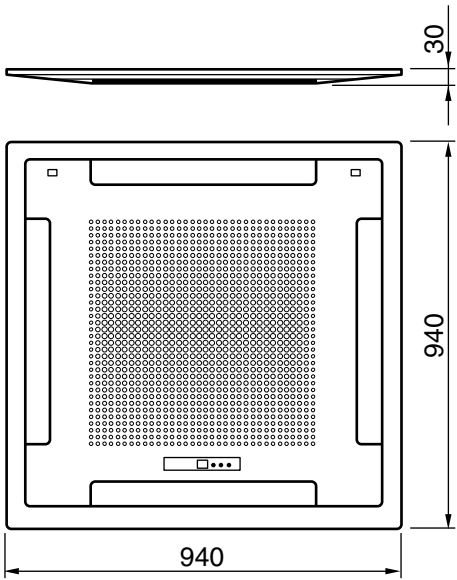
#### ADDITIONAL REFRIGERANT CHARGE

MODELS		PIPE LENGTH	7.5 m (25 ft.)	10 m (33 ft.)	15 m (49 ft.)	20 m (66 ft.)	25 m (82 ft.)	30 m (98 ft.)	Additional refrigerant
FULL CHARGE AMOUNT	AUY30ALC-W		2,650 g (93.5 oz)	2,693 g (95.0 oz)	2,778 g (98.0 oz)	2,863 g (101.0 oz)	2,948 g (104.0 oz)	3,033 g (107.0 oz)	17 g/m (0.6 oz / 3.3 ft.)
	AUY30RLC-W		2,700 g (95.2 oz)	2,825 g (100.5 oz)	3,075 g (108.5 oz)	3,325 g (117.3 oz)	3,575 g (126.1 oz)		50 g/m (1.8 oz / 3.3 ft.)

# OUTLINE AND DIMENSIONS

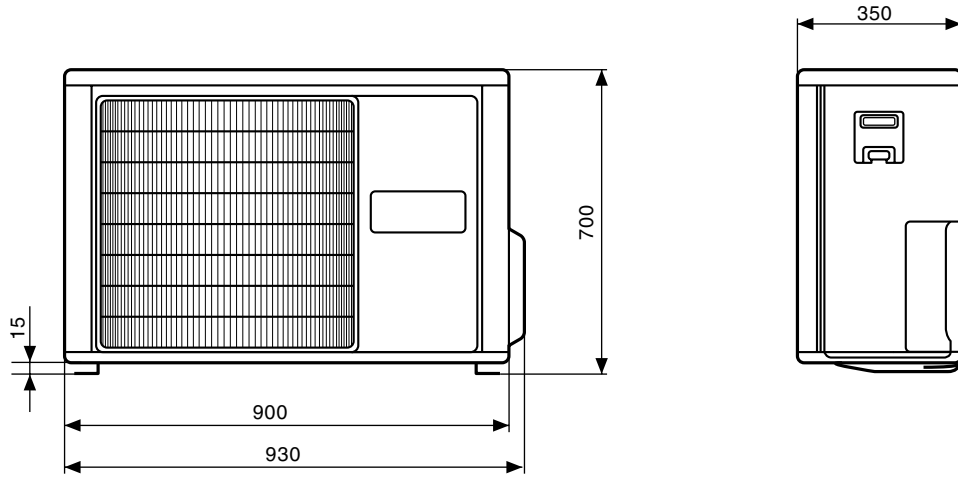
Models : AU25ALC-W  
 AU25RLC-W  
 AU30ALC-W  
 AU30RLC-W

Unit : mm

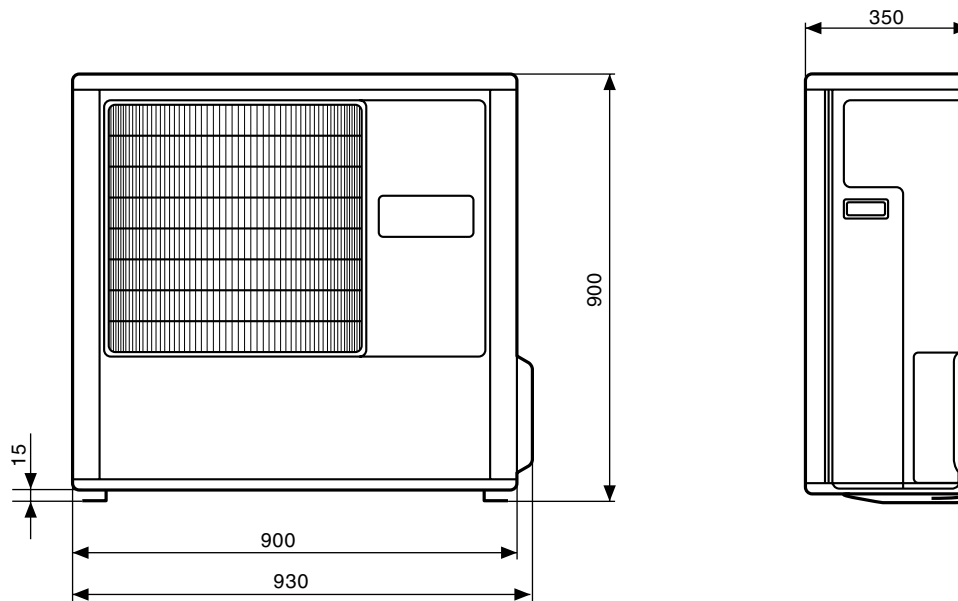


**Models : AOY25AZCL  
AOY25RZCL**

Unit : mm

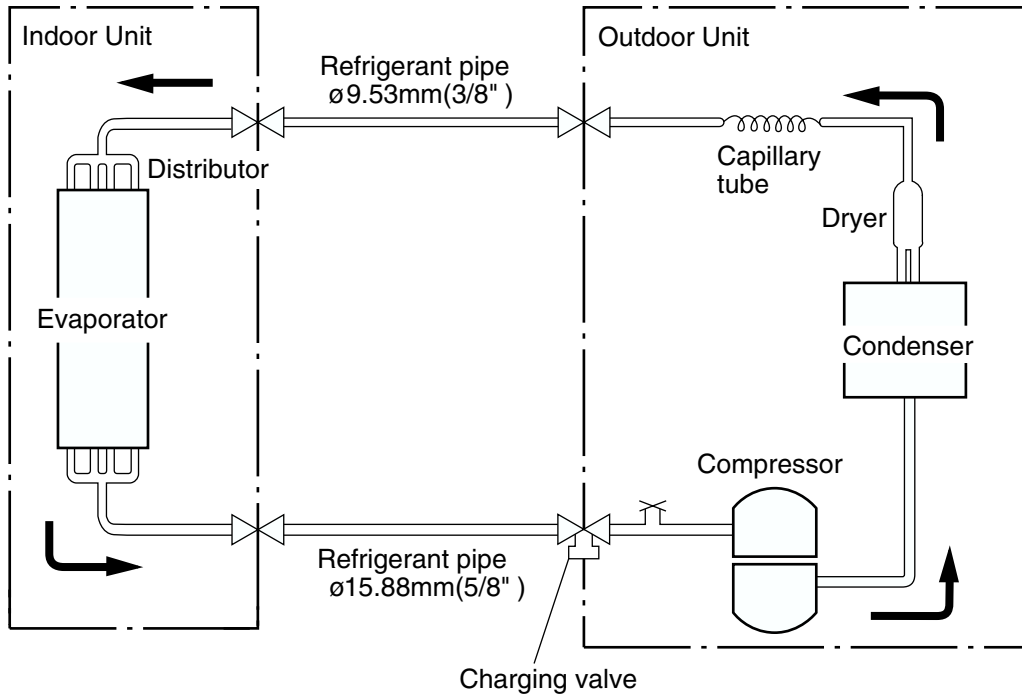


**Models : AOY30ABML  
AOY30RBML**

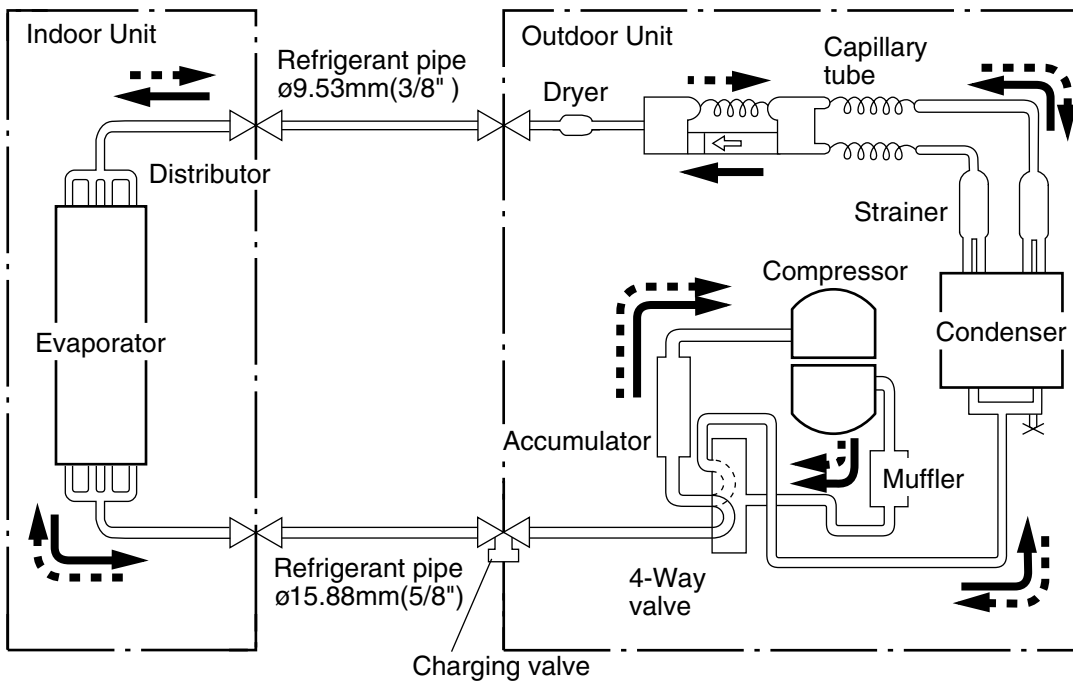


# REFRIGERANT SYSTEM DIAGRAM

Models : AUY25ALC-W / AOY25AZCL

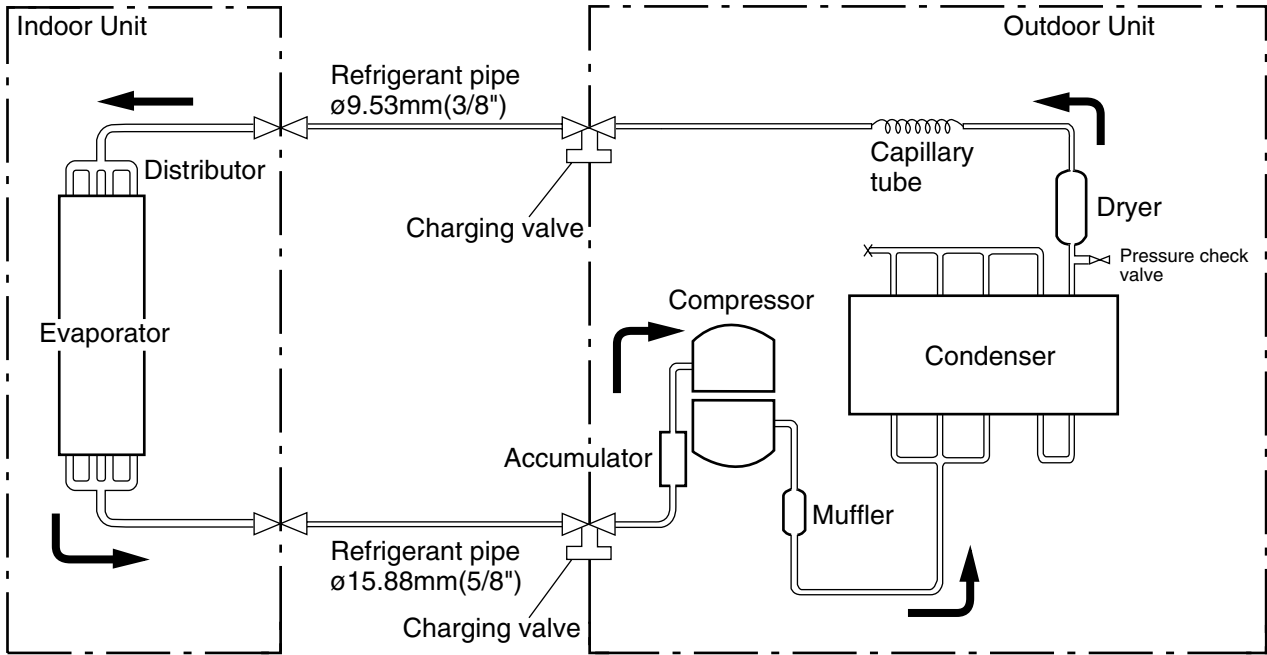


Models : AUY25RLC-W / AOY25RZCL

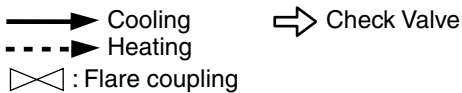
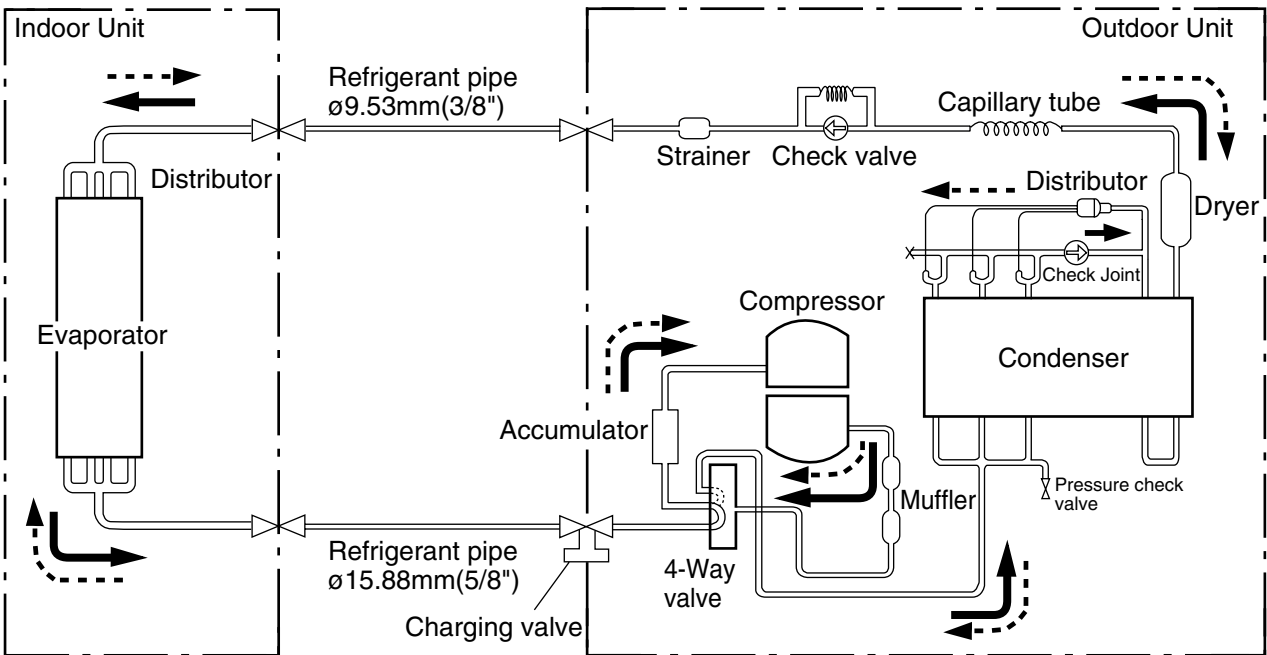


- Cooling
- Heating
- : Flare coupling
- Check valve

**Models : AUY30ALC-W / AOY30ABML**

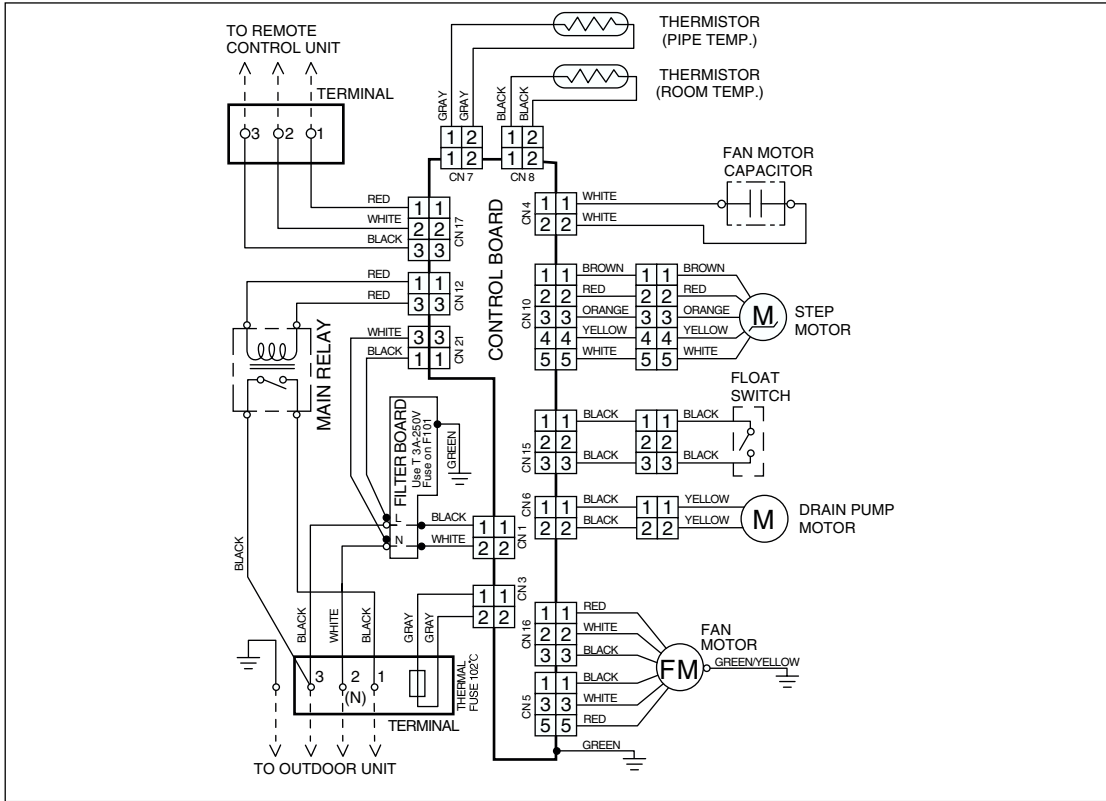


**Models : AUY30RLC-W / AOY30RBML**

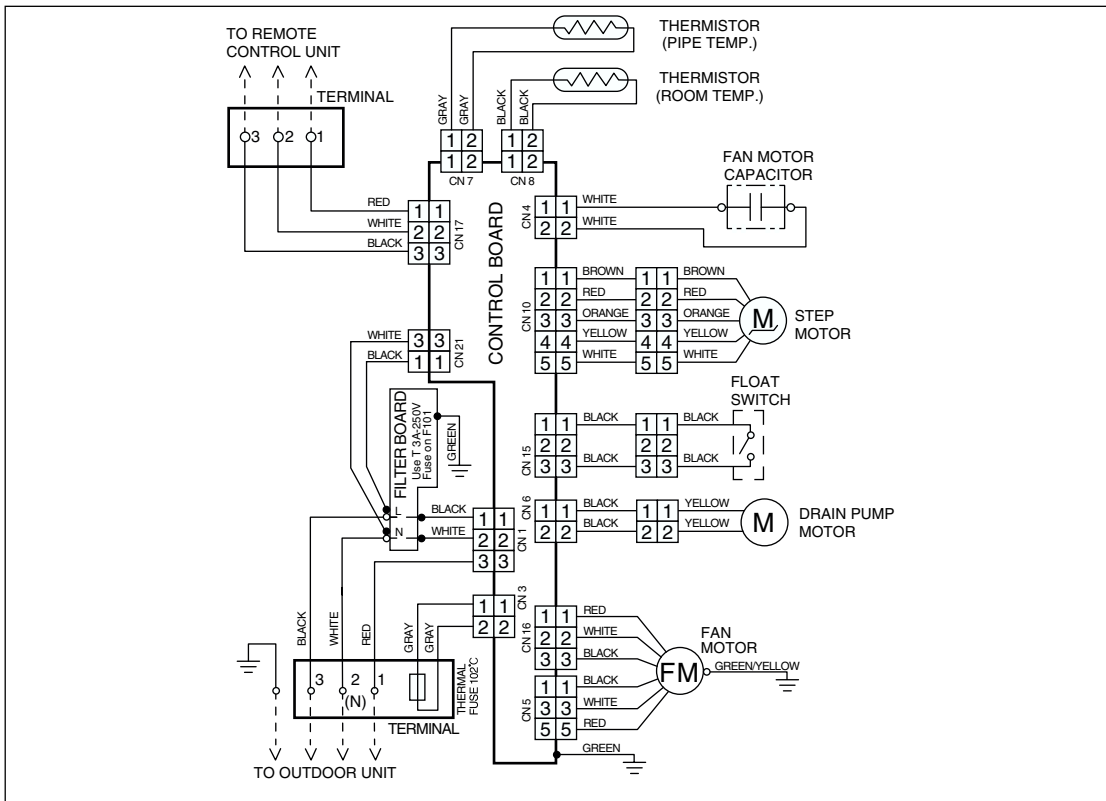


# CIRCUIT DIAGRAM

**Models : AUY25ALC-W  
AUY30ALC-W**

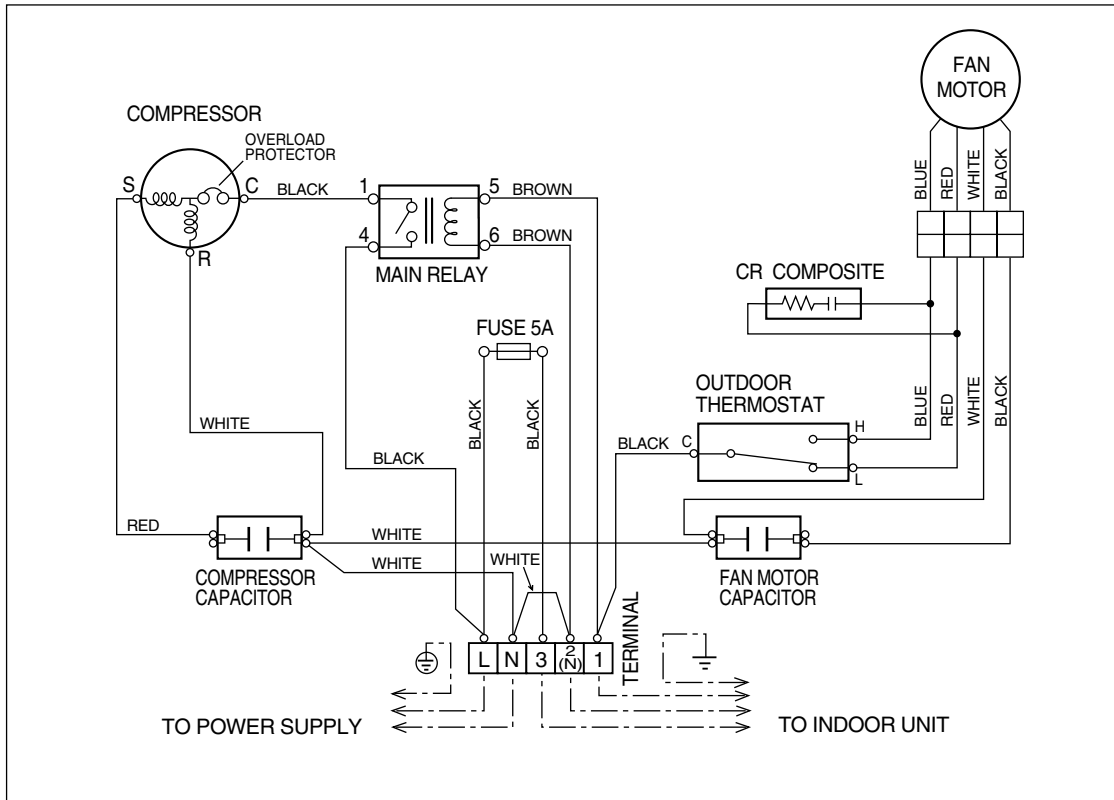


**Models : AUY25RLC-W  
AUY30RLC-W**

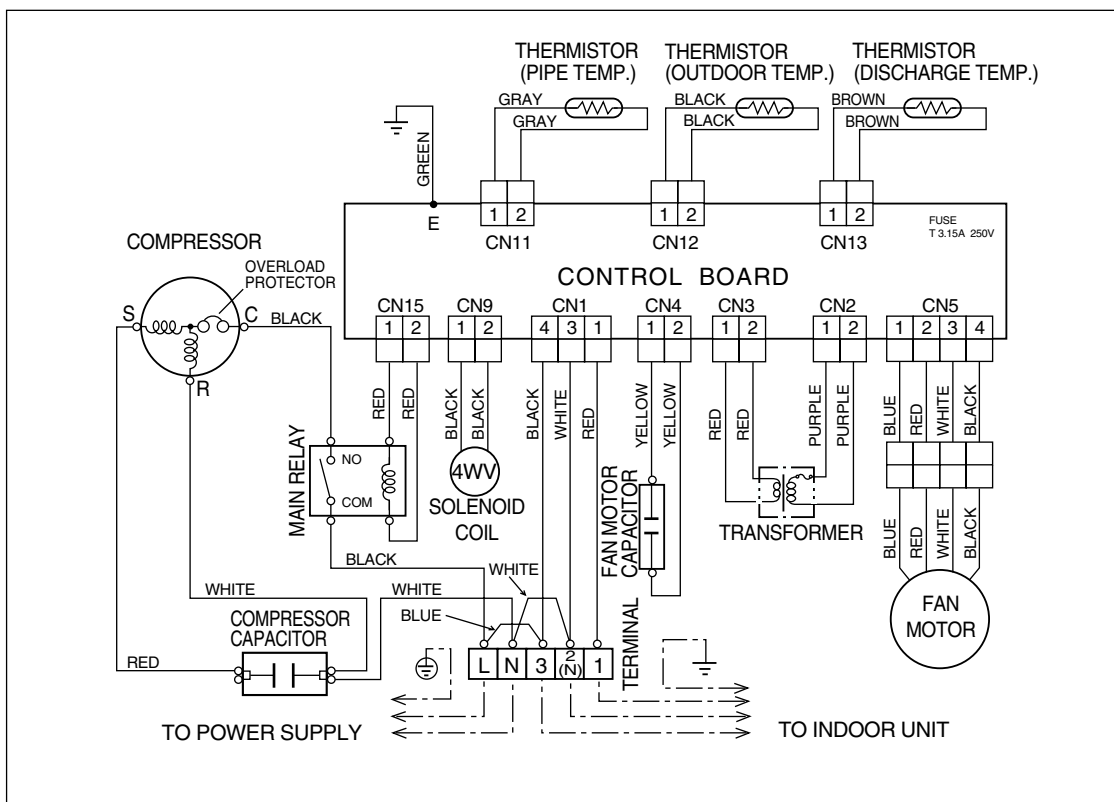




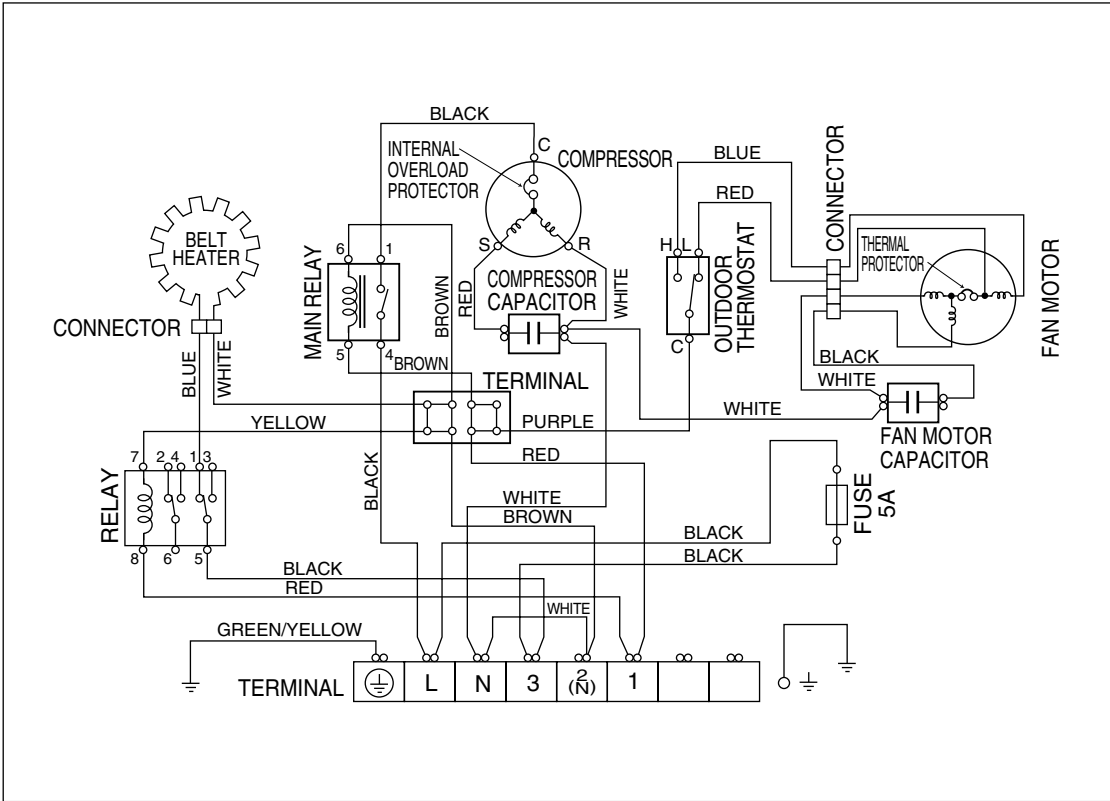
**Models : AOY25AZCL**



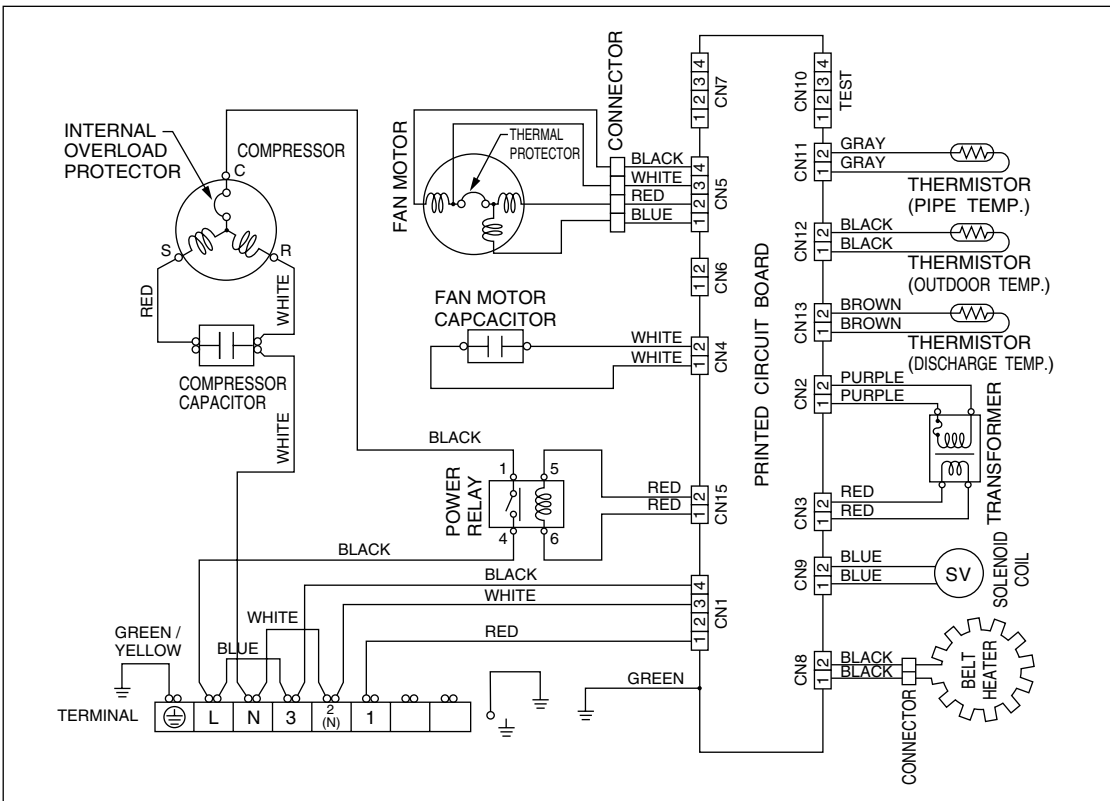
**Models : AOY25RZCL**



**Models : AOY30ABML**



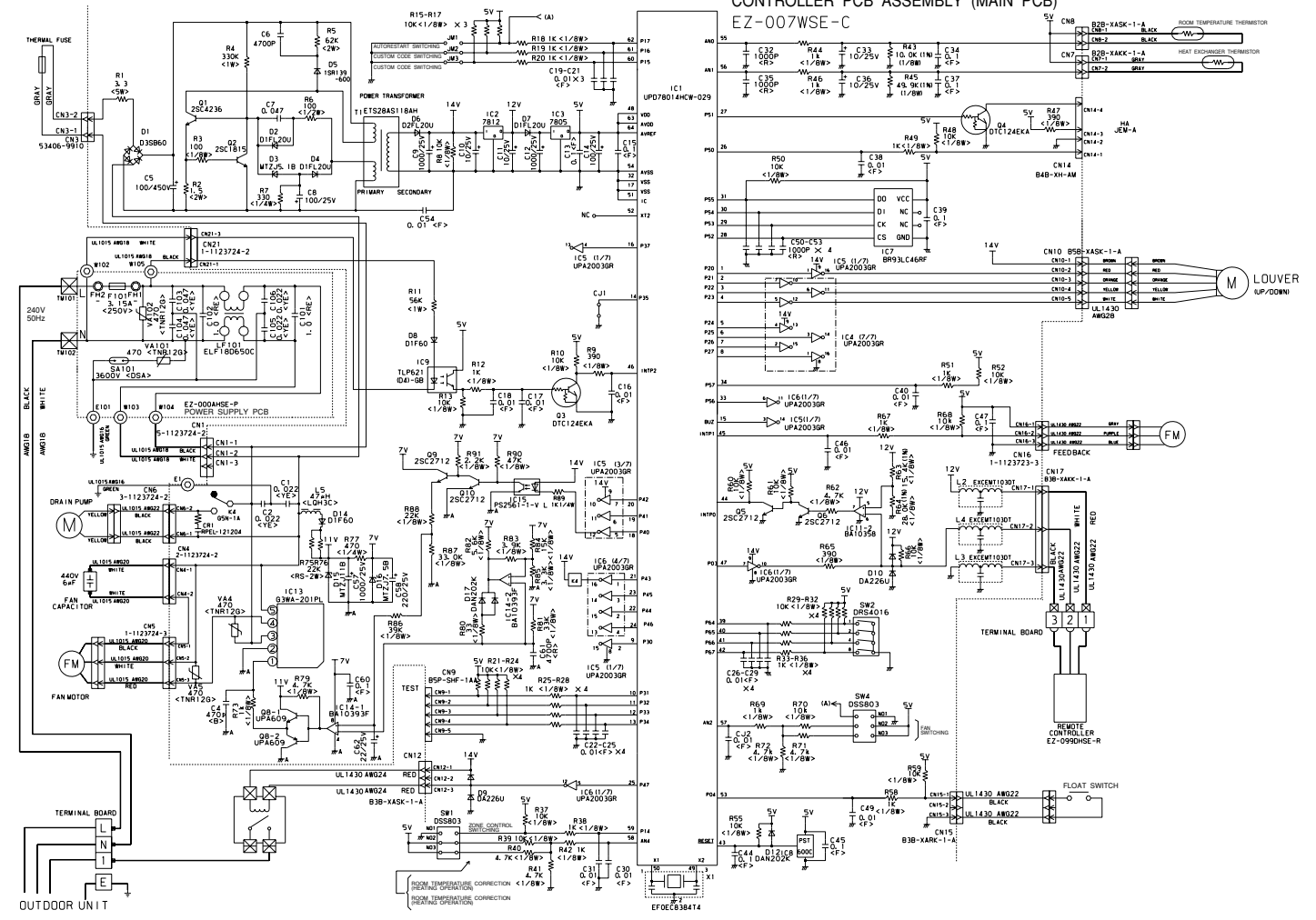
**Models : AOY30RBML**



# INDOOR PRINTED CIRCUIT BOARD CIRCUIT DIAGRAM

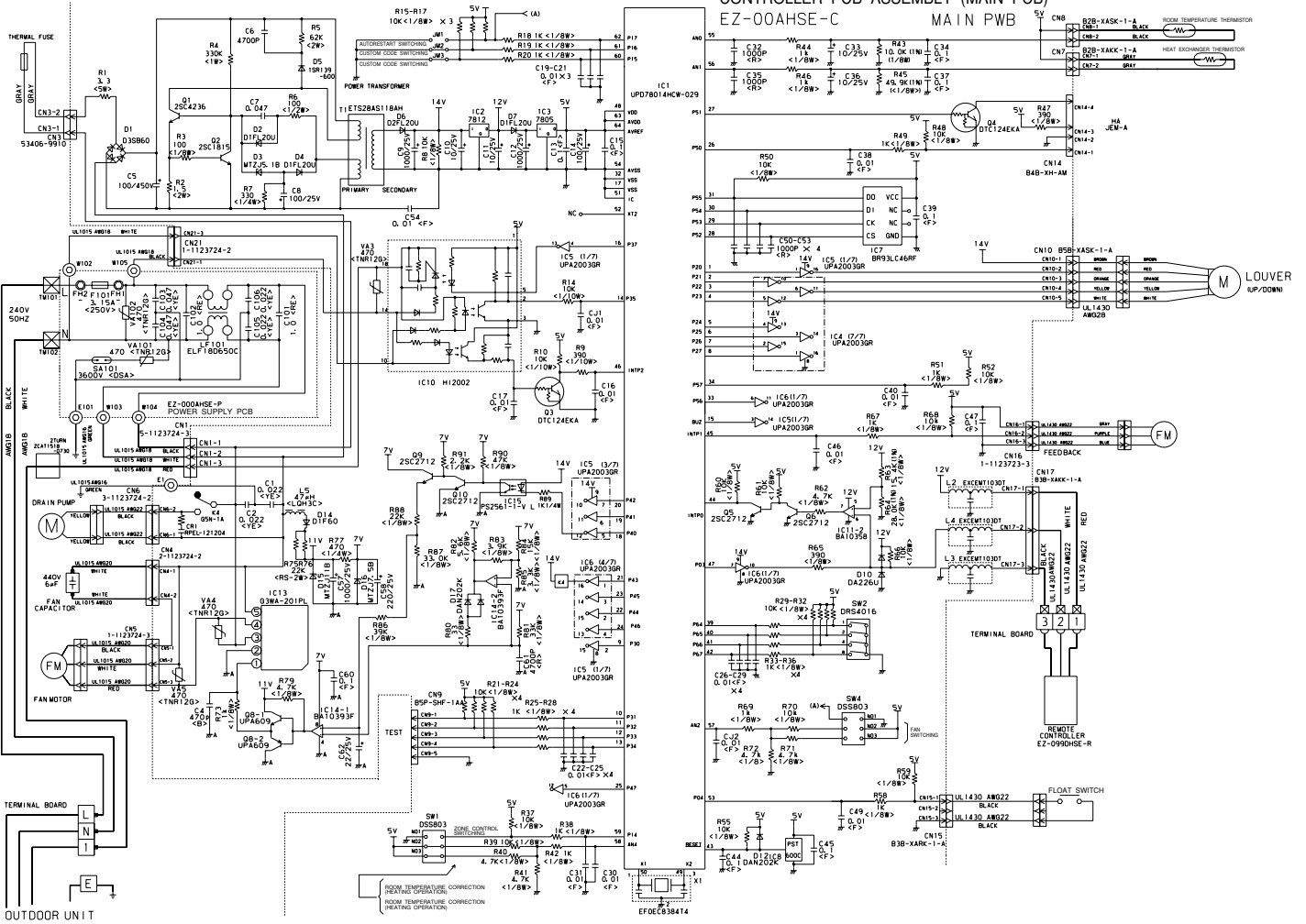
Models : AU25ALC-W  
AU30ALC-W

## CONTROLLER PCB ASSEMBLY (MAIN PCB) EZ-007WSE-C



Models : AUY25RLC-W  
AUY30RLC-W

CONTROLLER PCB ASSEMBLY (MAIN PCB)  
EZ-00AHSE-C MAIN PWB

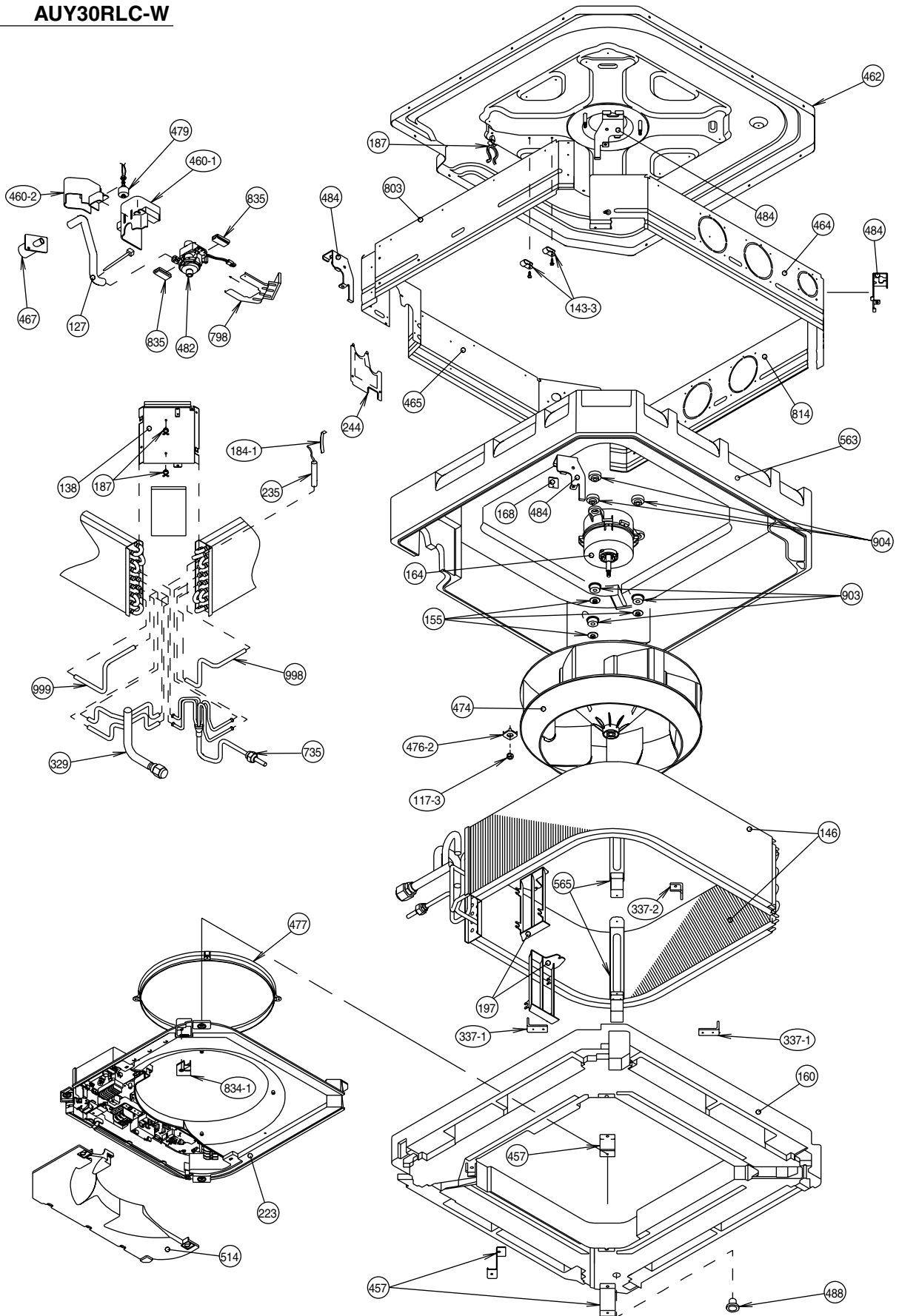






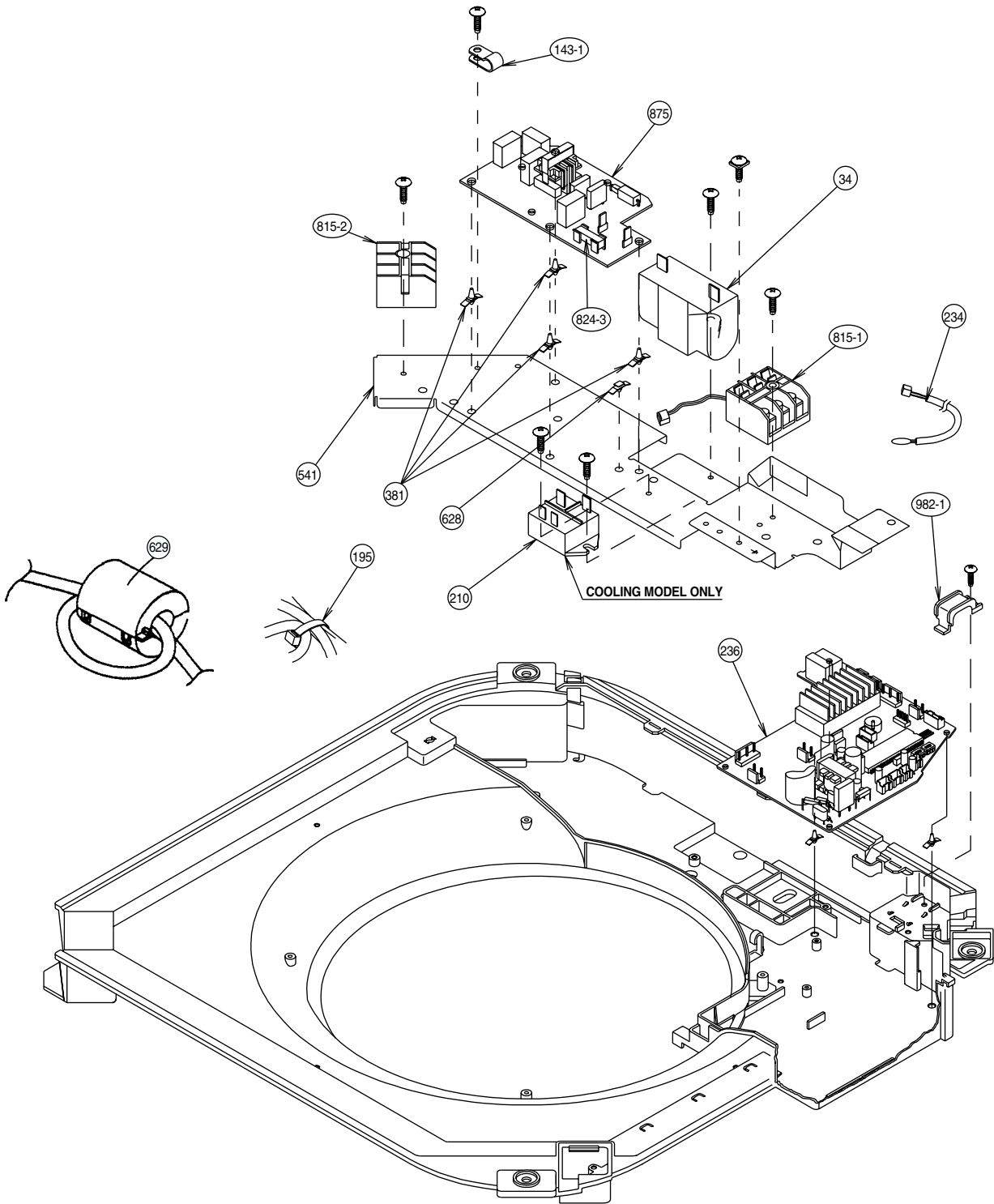


**Models : AUY25ALC-W**  
**AUY25RLC-W**  
**AUY30ALC-W**  
**AUY30RLC-W**

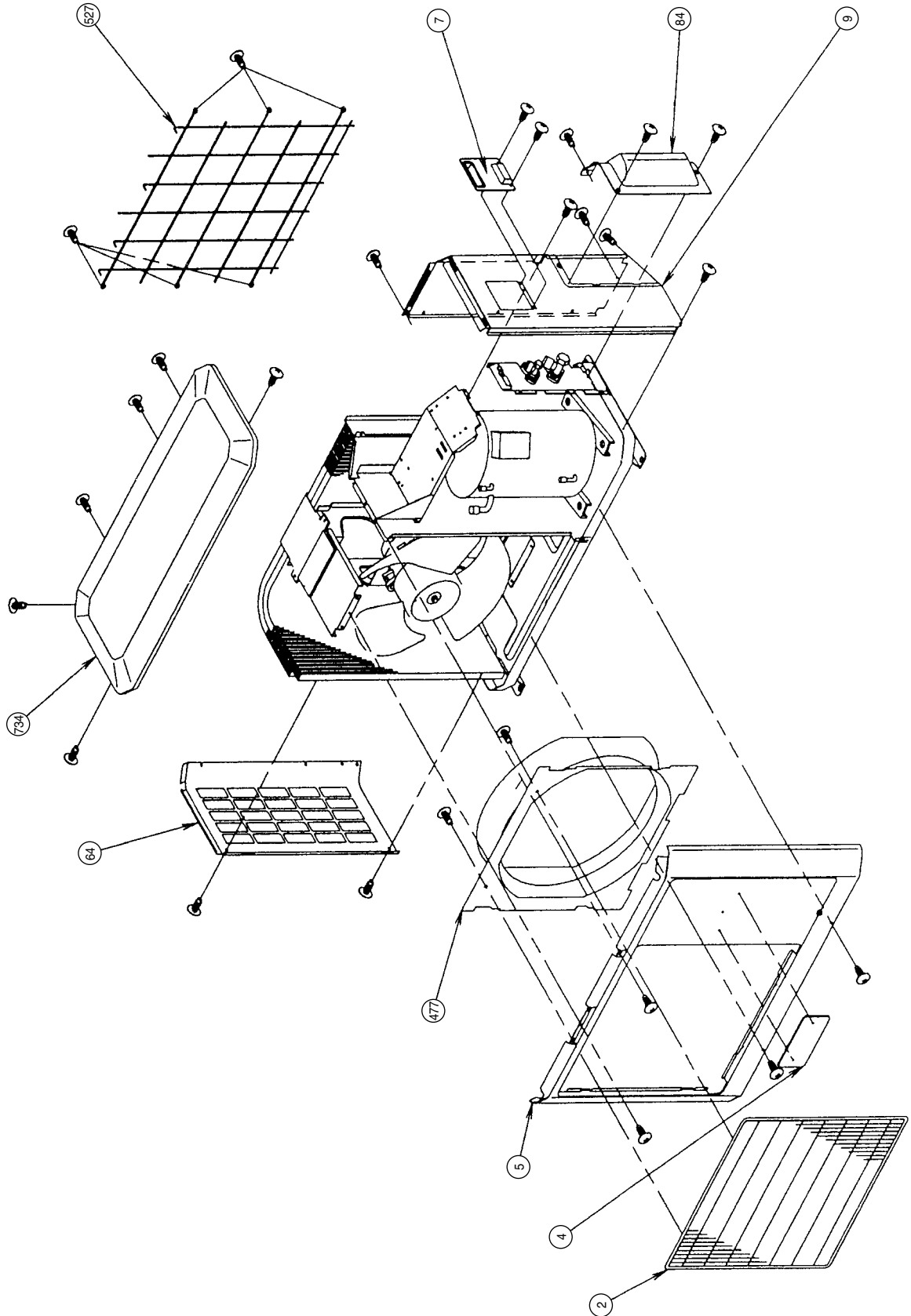




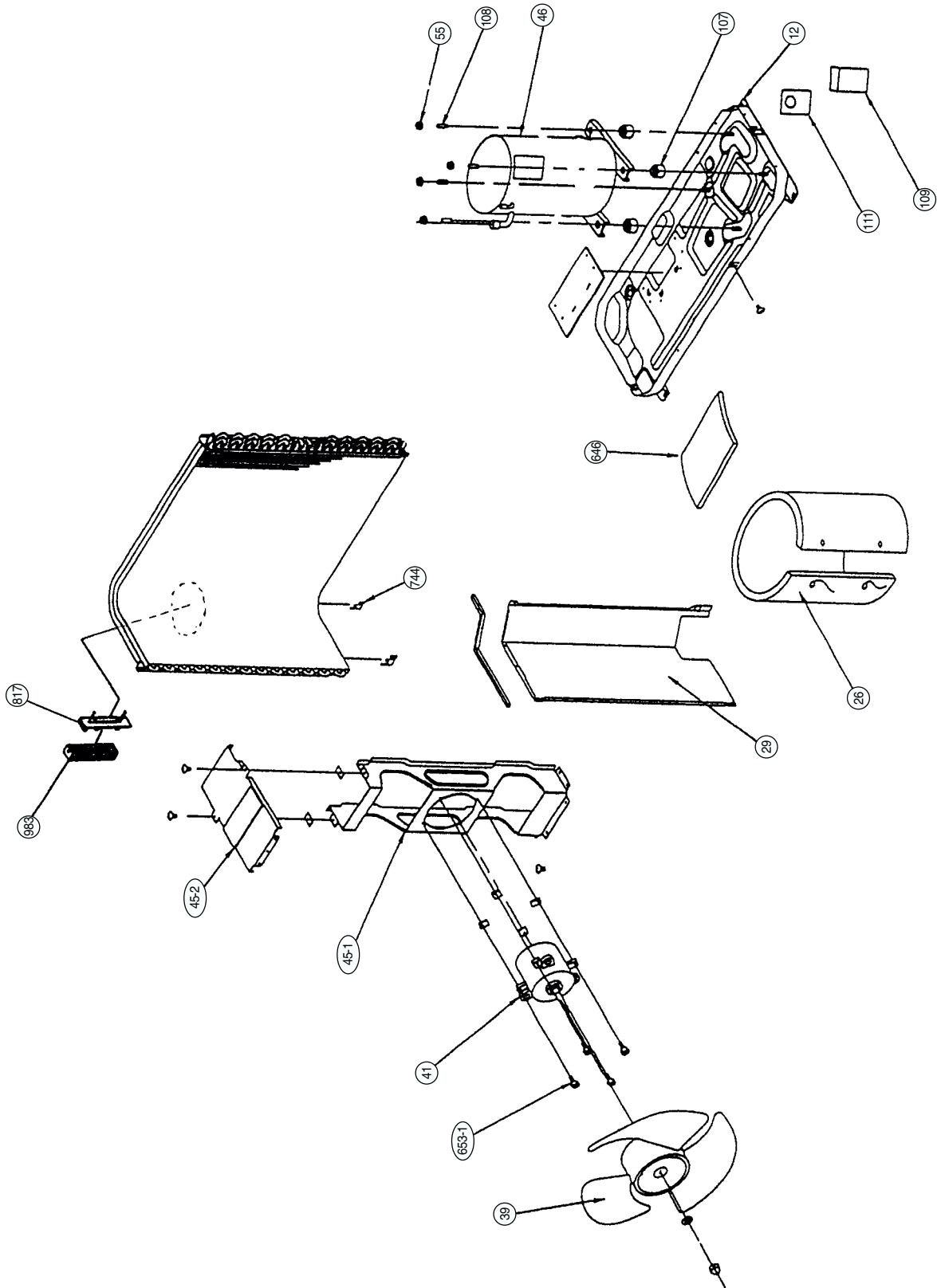
Models : AUY25ALC-W  
AUY25RLC-W  
AUY30ALC-W  
AUY30RLC-W



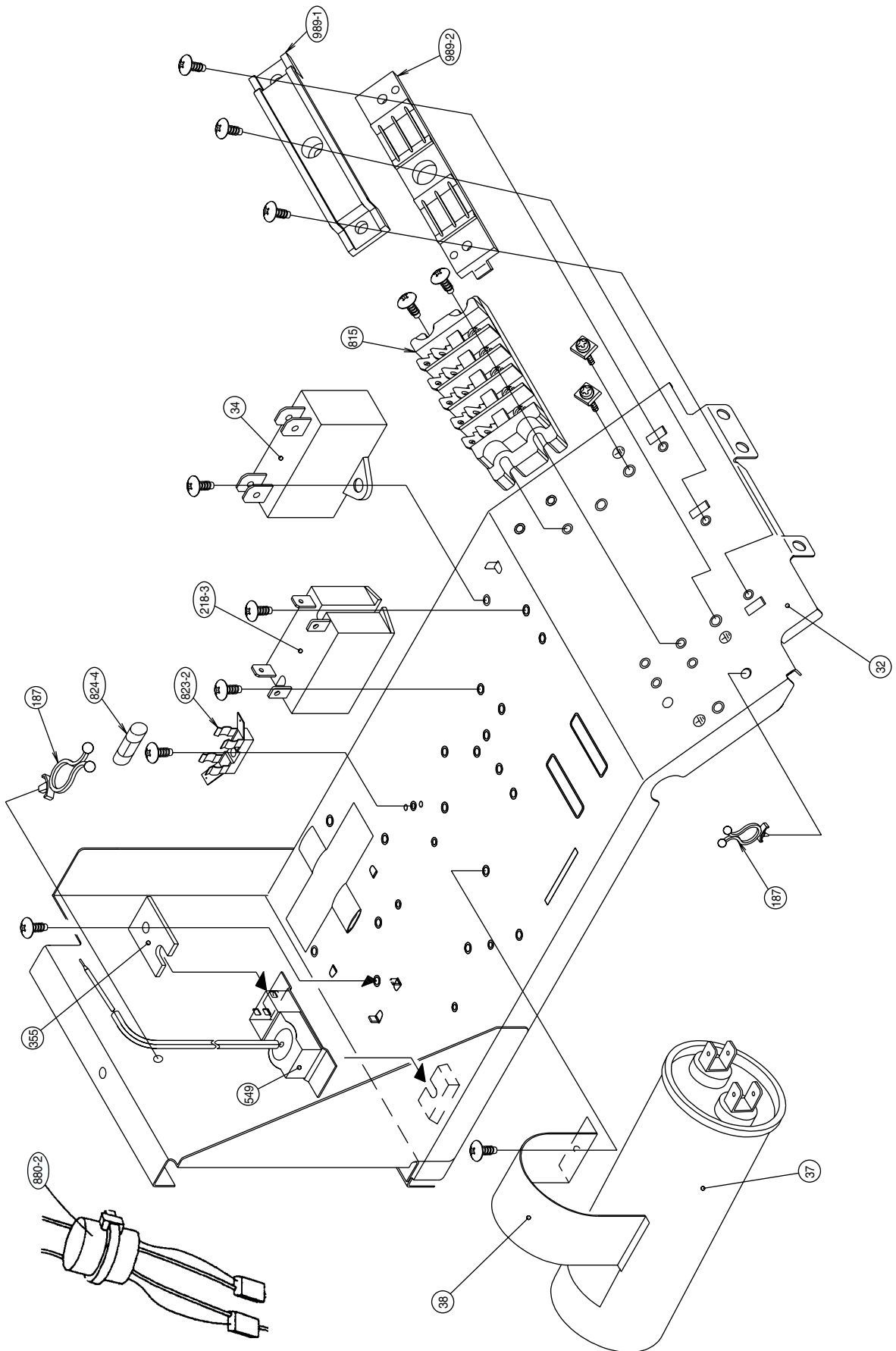
Models : AOY25AZCL  
AOY25RZCL



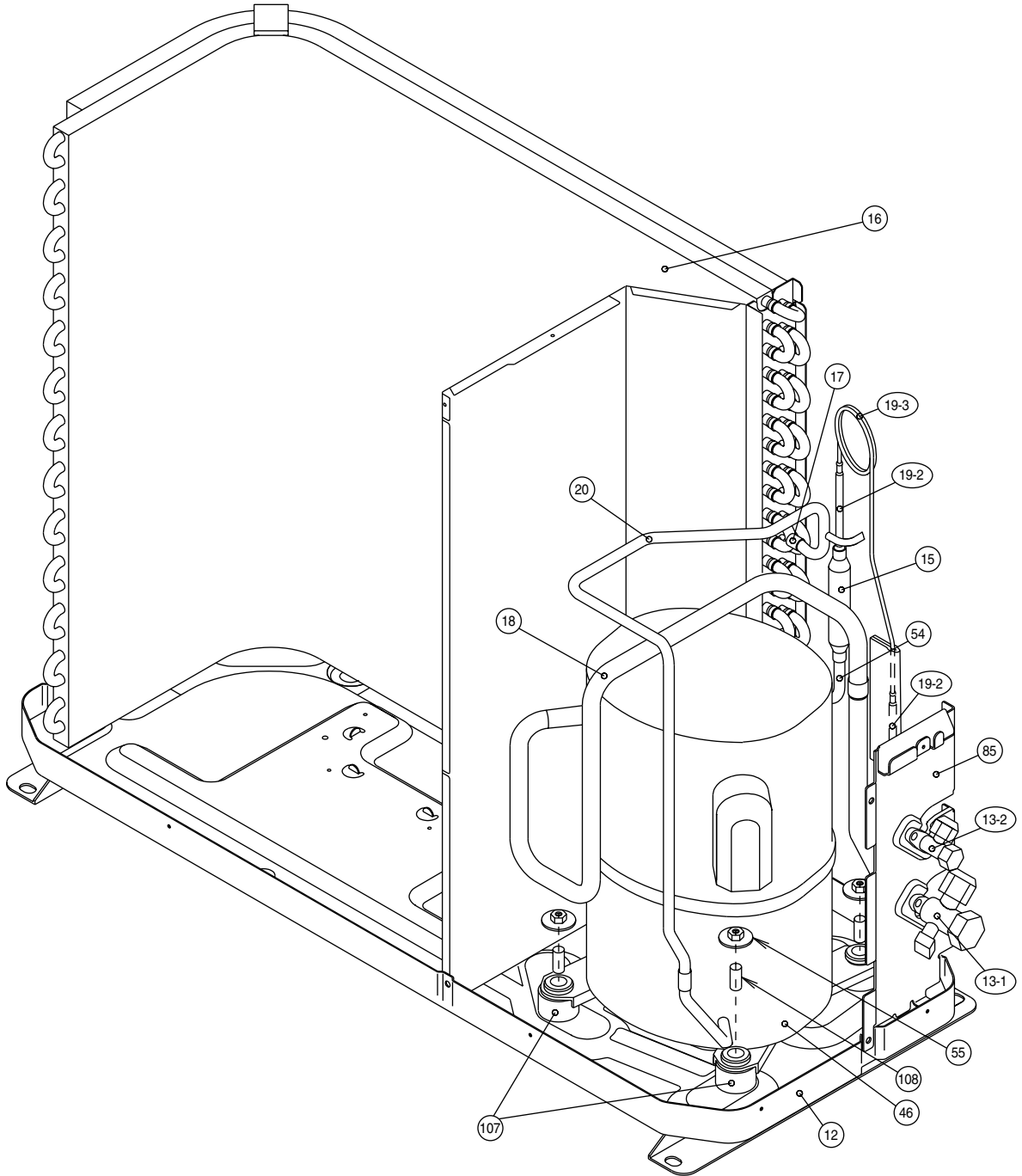
**Model : AOY25AZCL**



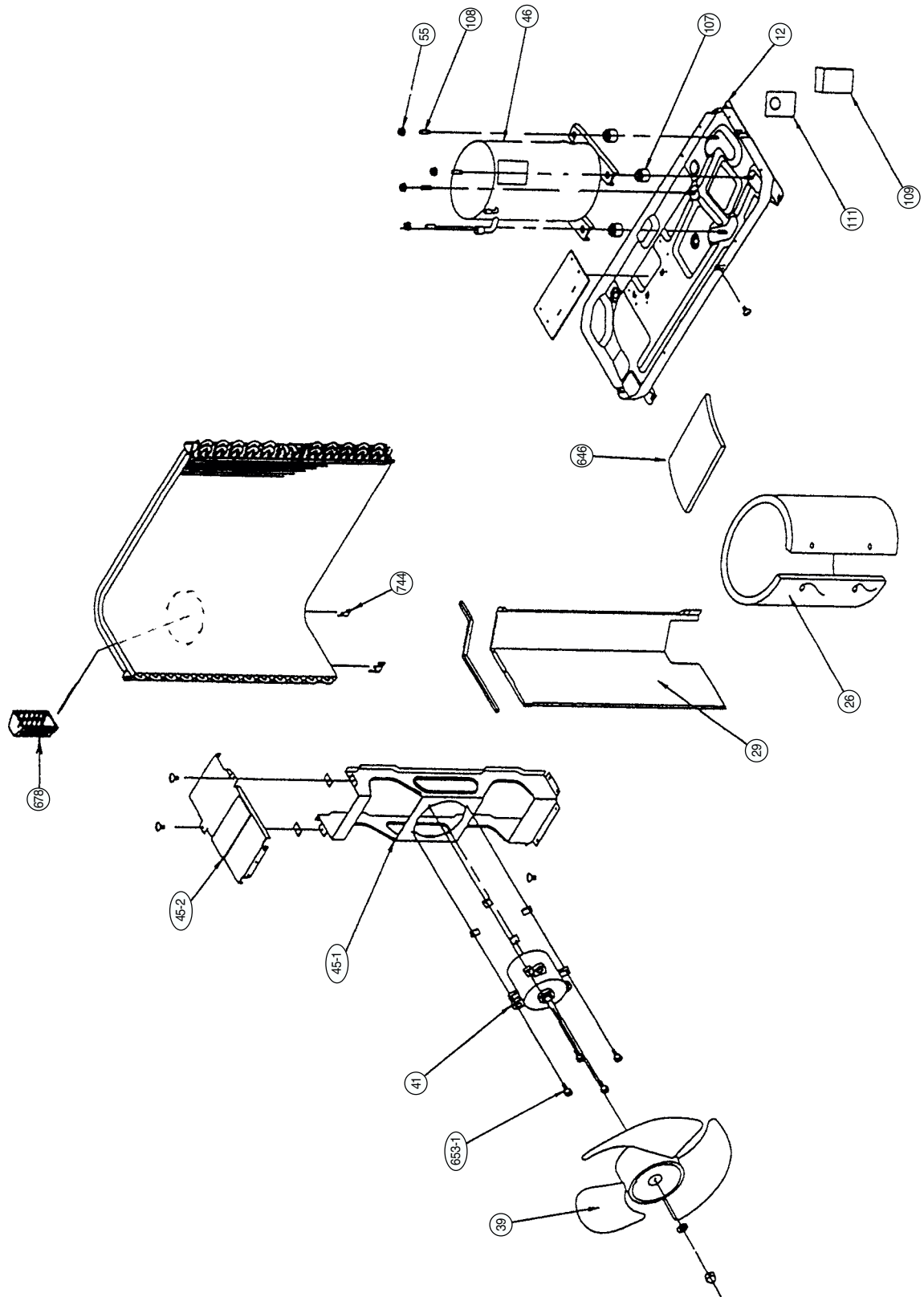
**Model : AOY25AZCL**



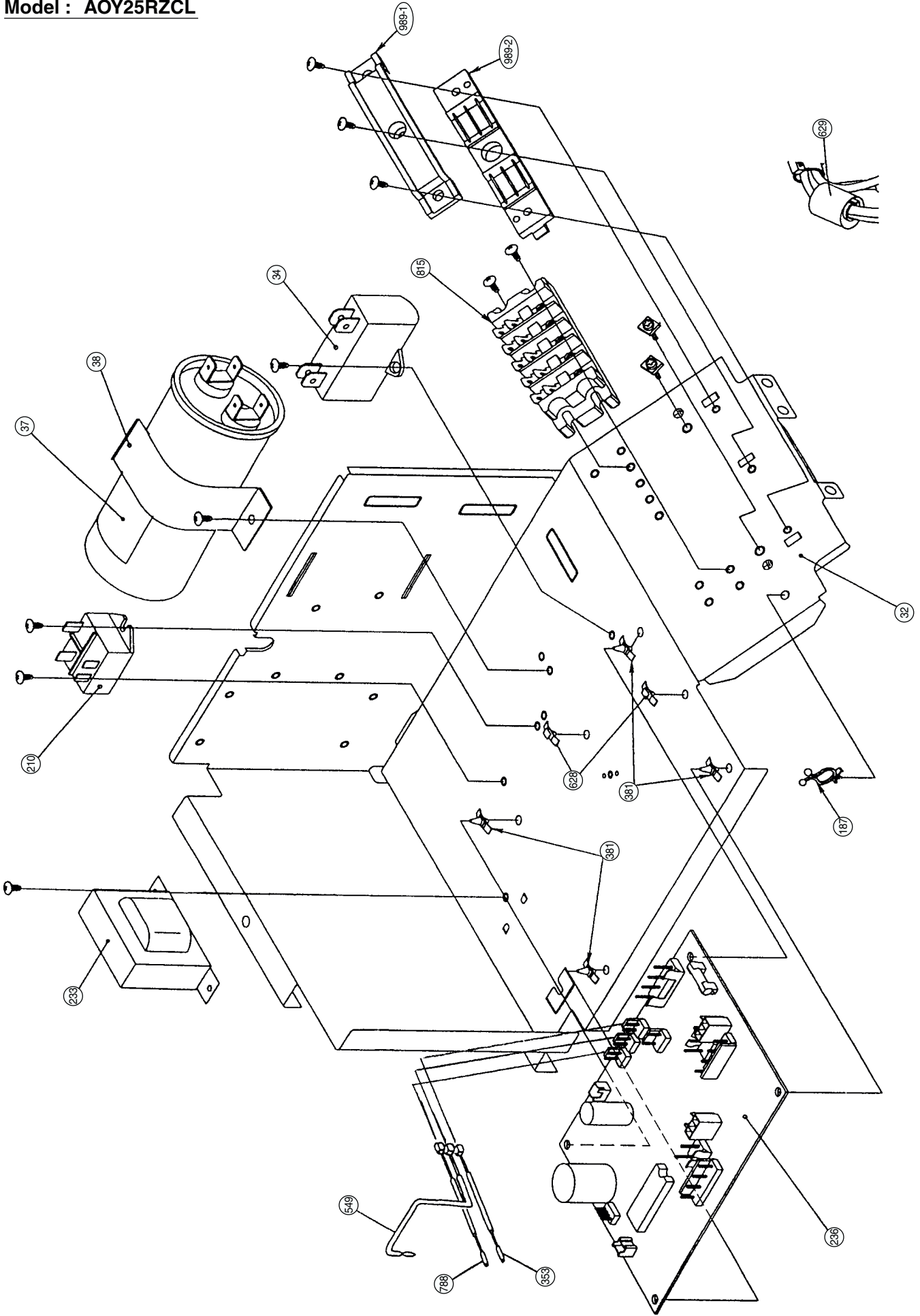
**Model : AOY25AZCL**



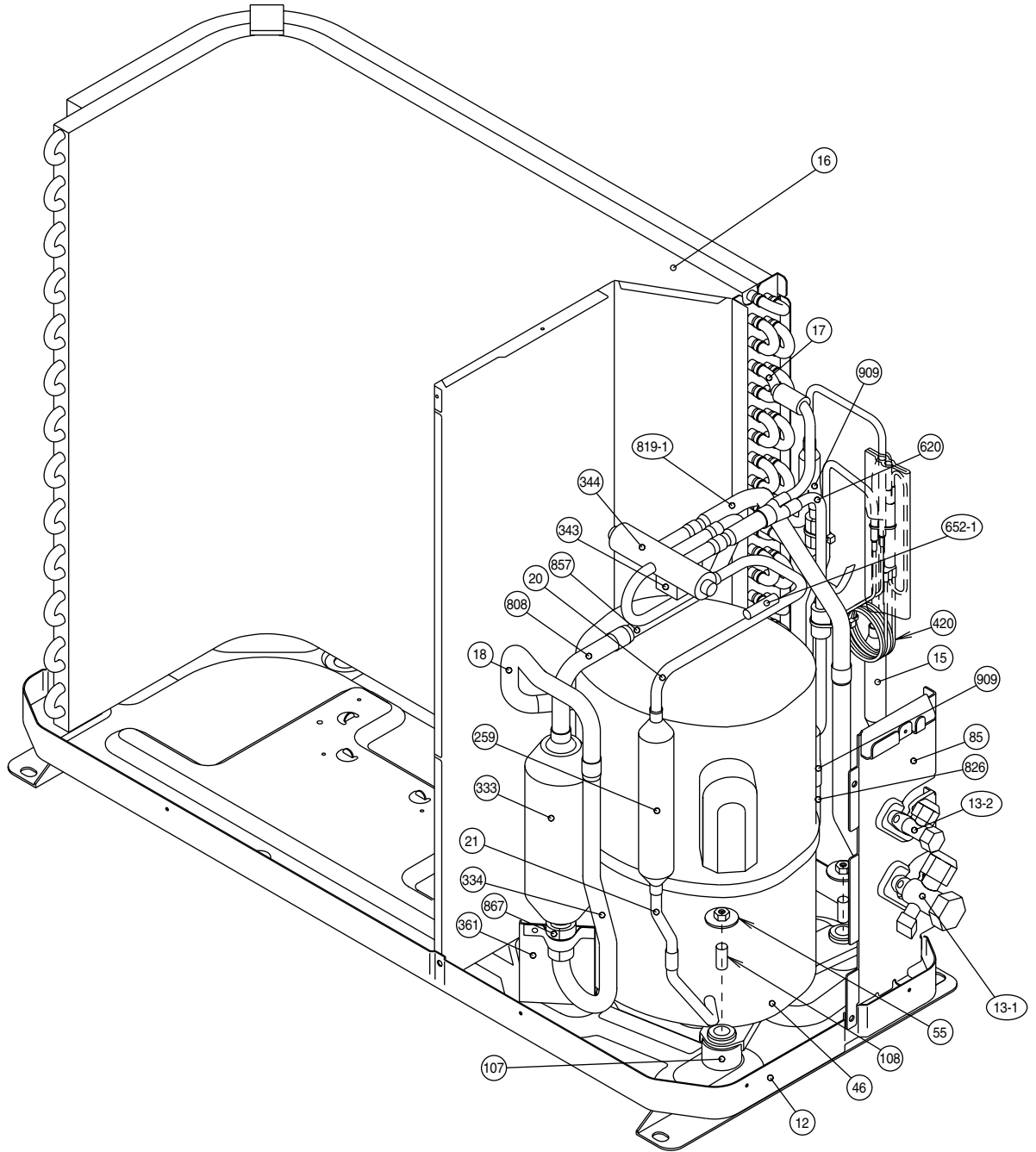
Model : AOY25RZCL



Model : AOY25RZCL

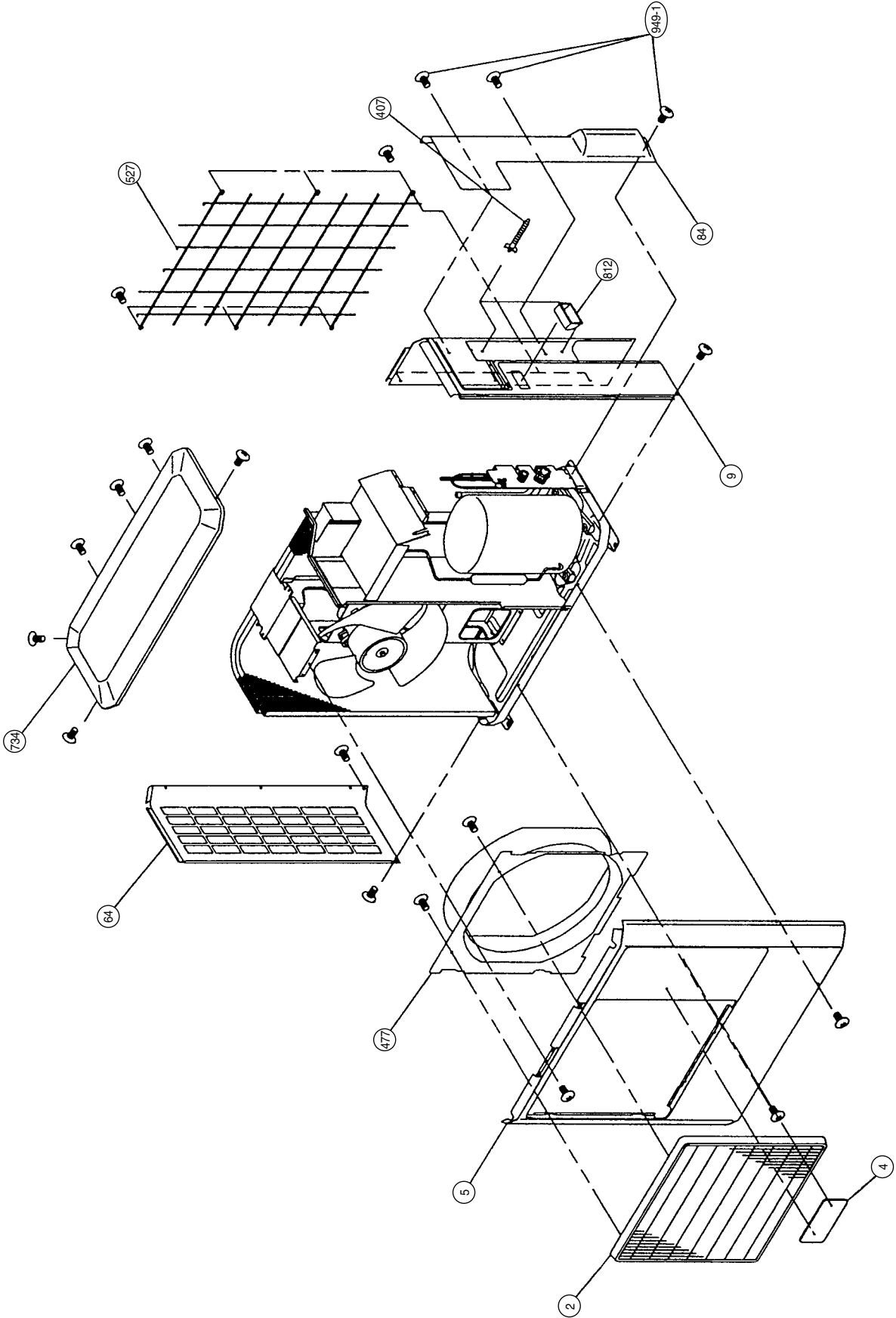


**Model : AOY25RZCL**

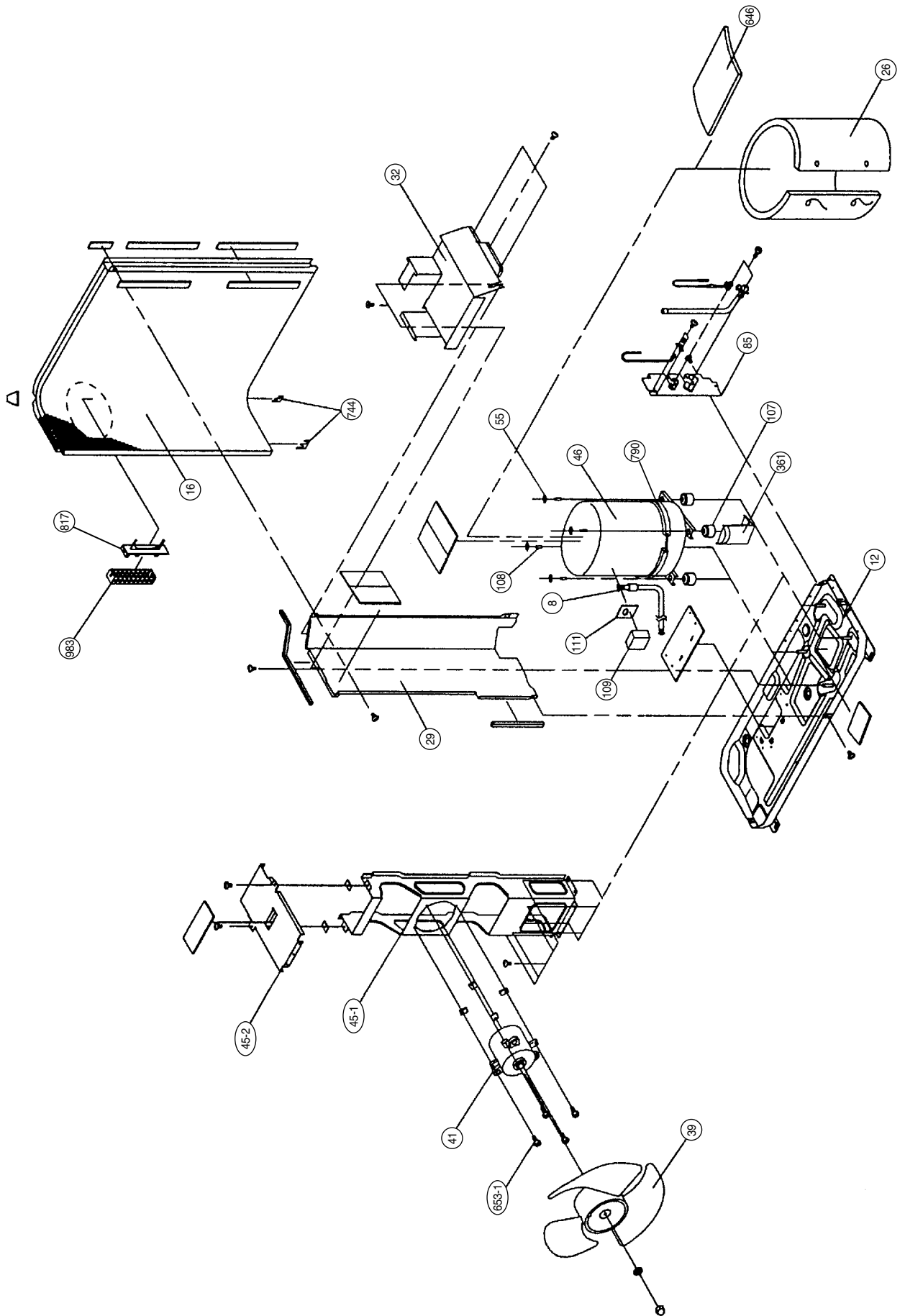




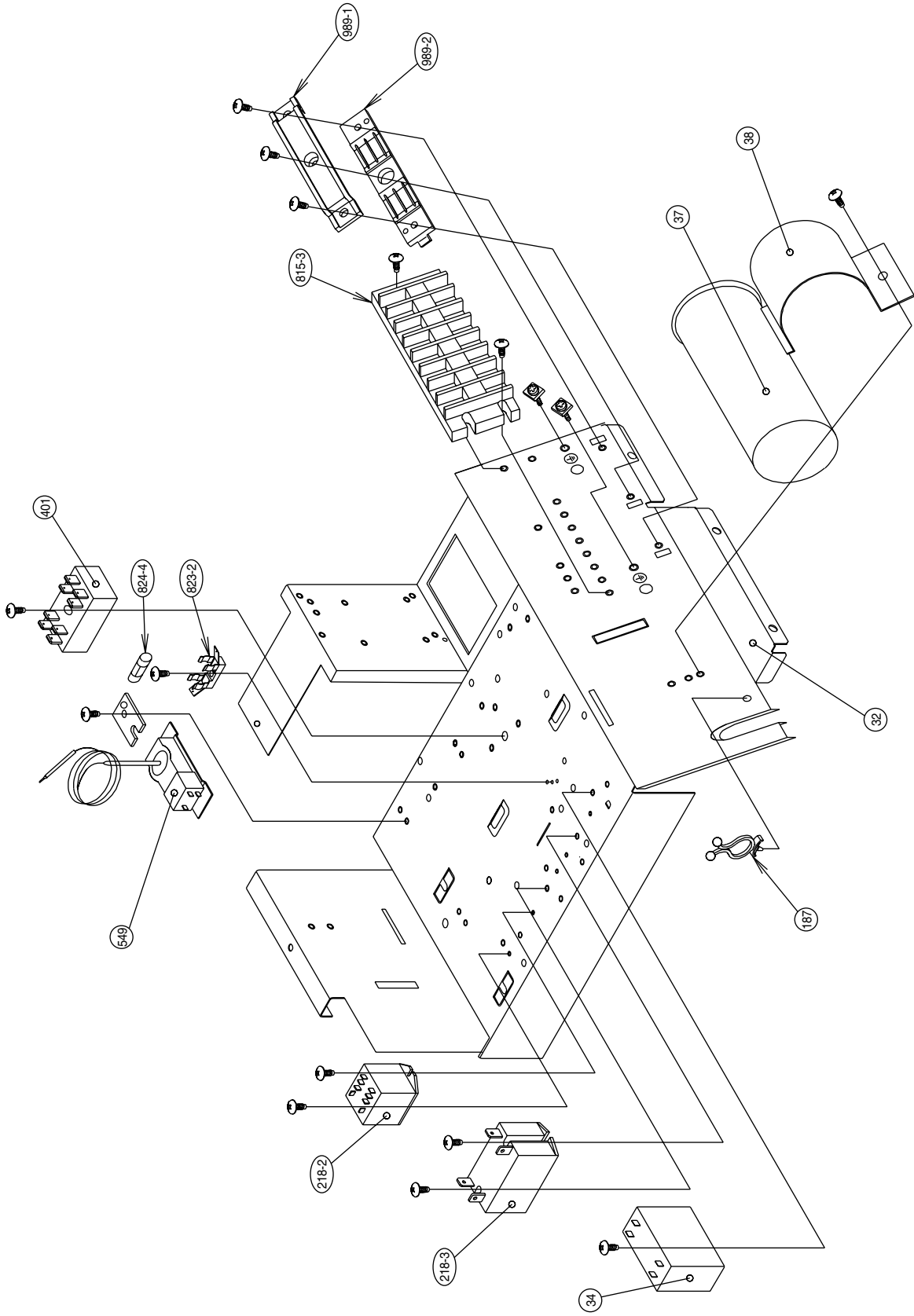
Model : AOY30ABML  
AOY30RBML



Model : AOY30ABML

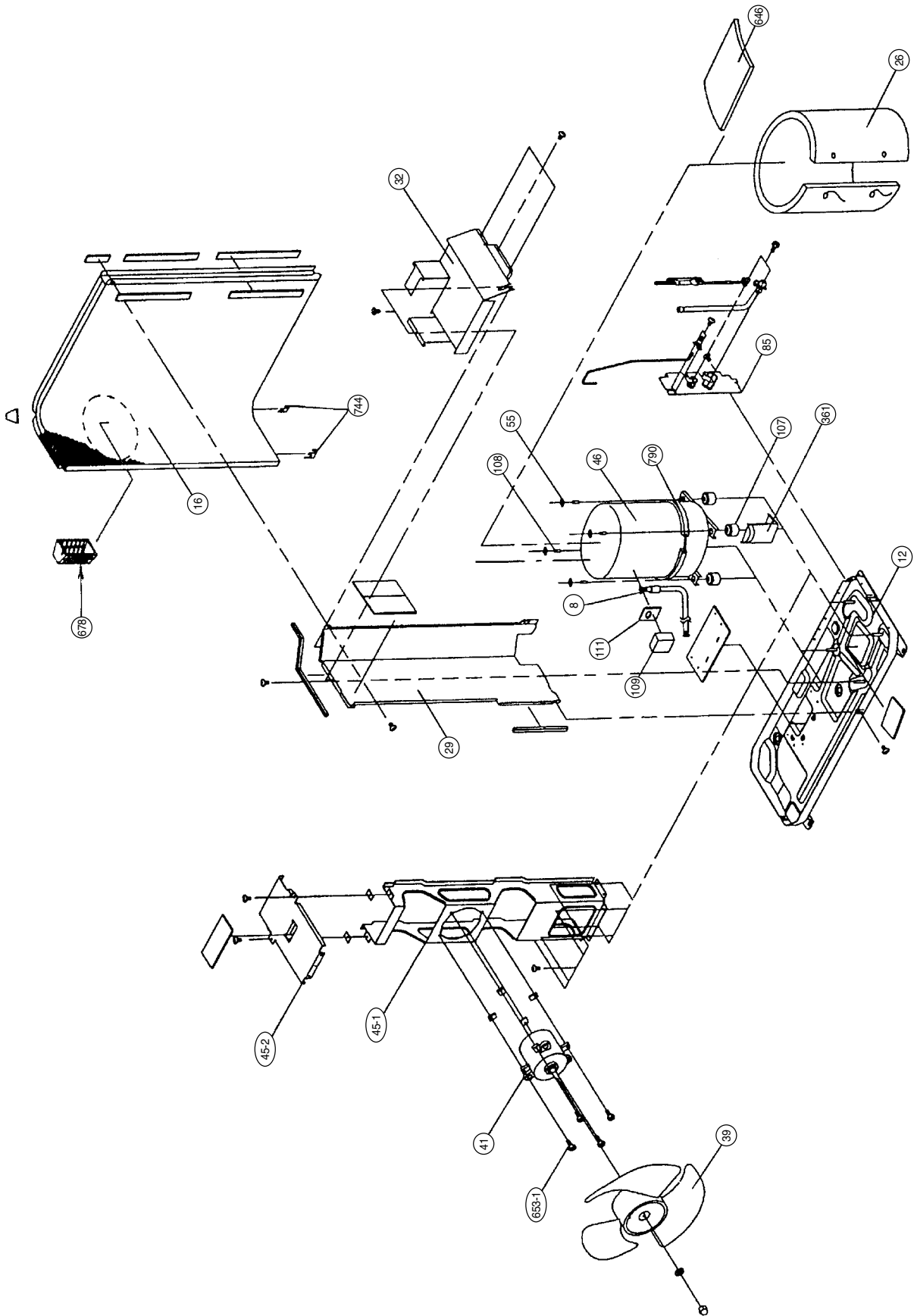


**Model : AOY30ABML**

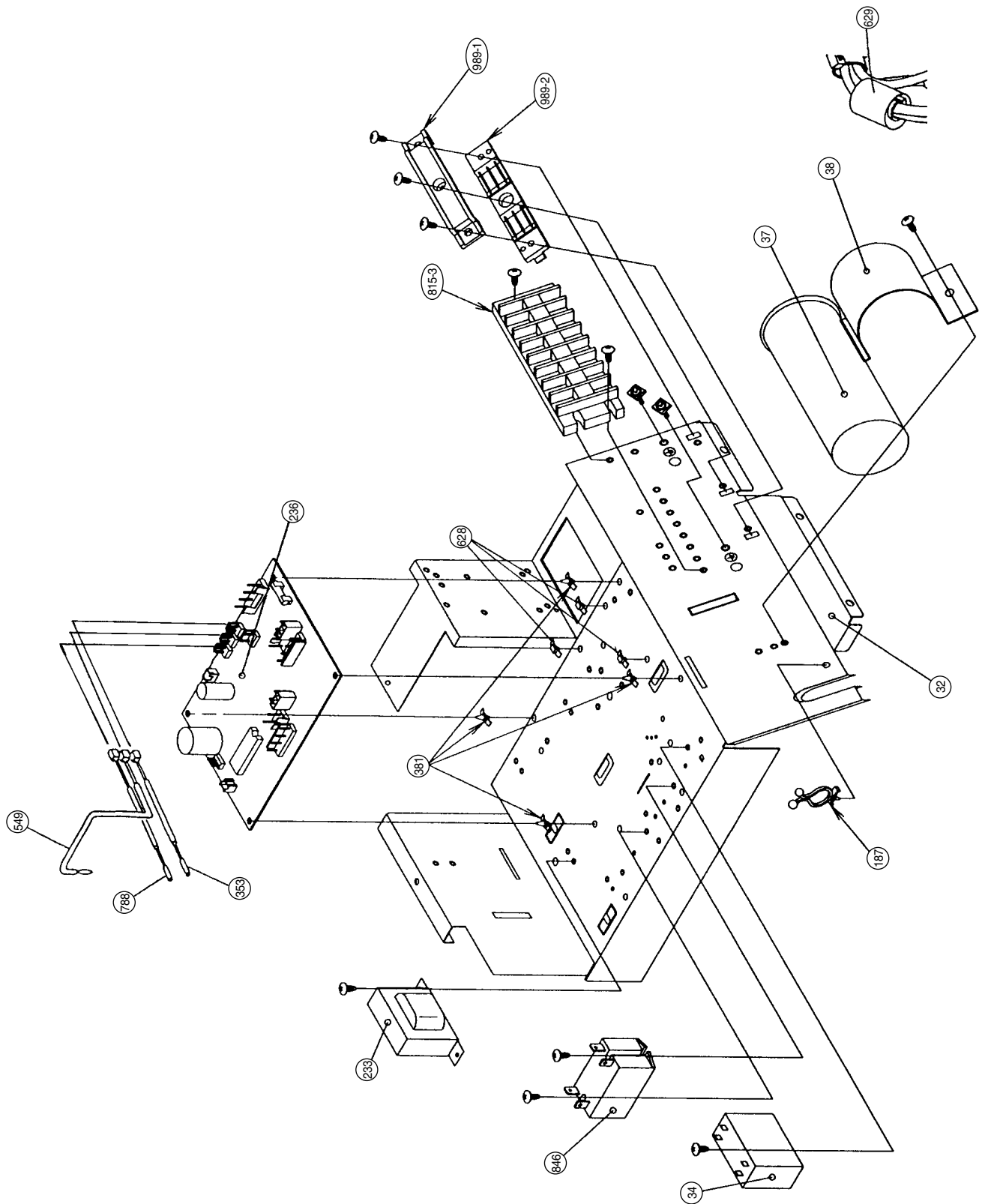




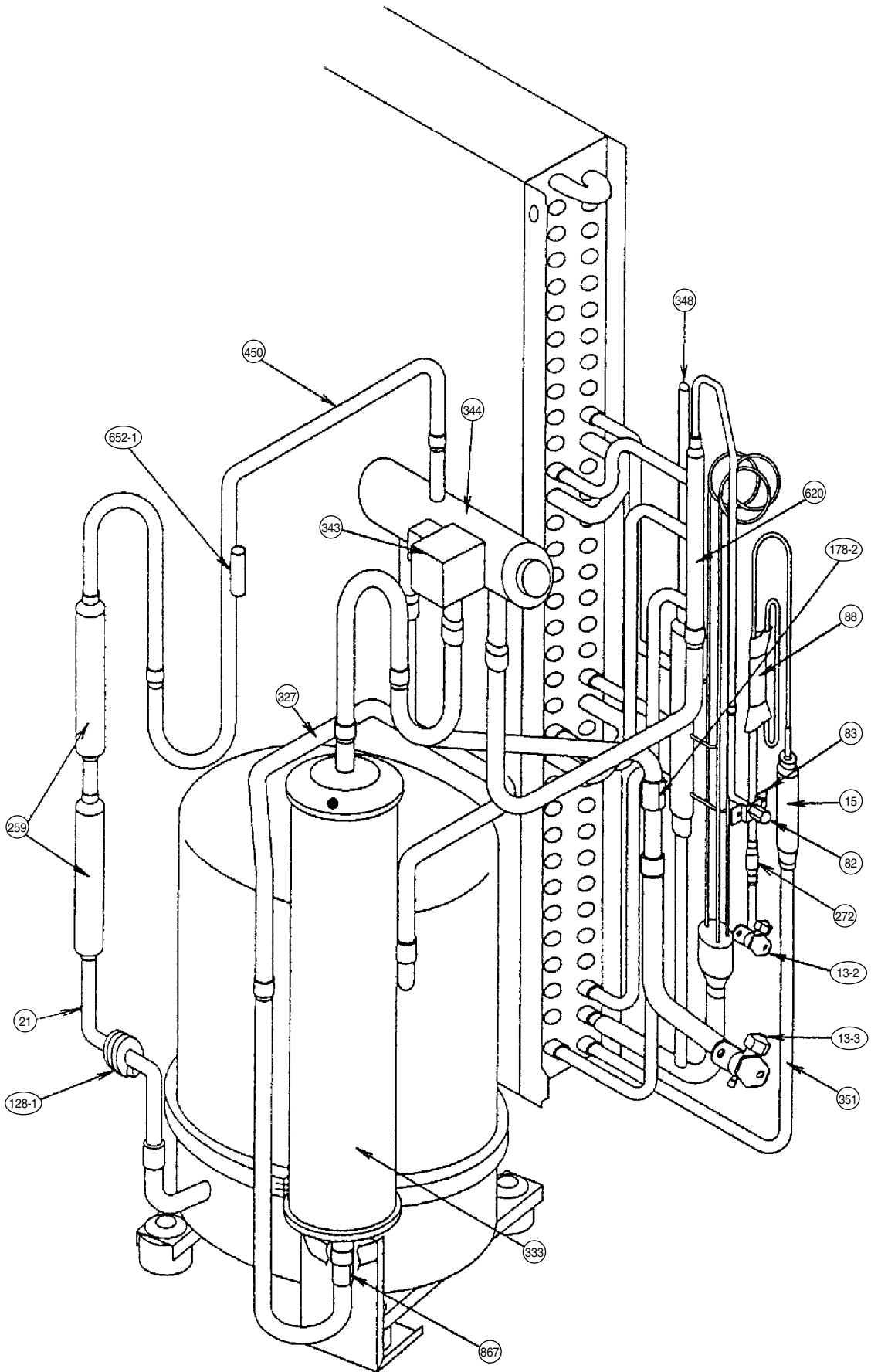
Model : AOY30RBML



**Model : AOY30RBML**



**Model : AOY30RBML**



# PARTS LIST

**AUY25ALC-W  
AUY25RLC-W  
AUY30ALC-W  
AUY30RLC-W**

When you order parts, please make a photocopy of this page and fill the number of the parts in the "Order" column.

## INDOOR UNIT

Ref. No.	Description	Part No.				Ord. Qty
		AUY25ALC-W	AUY25RLC-W	AUY30ALC-W	AUY30RLC-W	
34	Capacitor (Fan Motor)	9703306068	9703306068	9703306068	9703306068	
61	Decoration Plate	9362787000	9362787000	9362787000	9362787000	
71	Grille Hook Holder	9362782005	9362782005	9362782005	9362782005	
93	Filter	9362766005	9362766005	9362766005	9362766005	
117-3	Hex. Nut w/Spring Washer	301721180114	301721180114	301721180114	301721180114	
122	Louver Support Holder	9362799003	9362799003	9362799003	9362799003	
127	Drain Hose	9365074008	9365074008	9365074008	9365074008	
138	Separate Wall	9362793001	9362793001	9362793001	9362793001	
143-1	Clamp NK-3N	313361274700	313361274700	313361274700	313361274700	
143-3	Clamp NK-6N	9305657001	9305657001	9305657001	9305657001	
146	Evaporator Assy	9365376003	9365376003	9366300007	9366300007	
155	Special Nut M6	9307615016	9307615016	9307615016	9307615016	
160	Drain Pan Assy	9362804004	9362804004	9362804004	9362804004	
164	Fan Motor Assy-In	9601092018	9601092018	9601092018	9601092018	
168	Cabinet-E	9362735001	9362735001	9362735001	9362735001	
184-1	Thermostat Spring-A	313728262708	313728262708	313728262708	313728262708	
187	Clamp No. 1219	313361271706	313361271706	313361271706	313361271706	
195	Clamp SKB-100	313361275805	313361275805	313361275805	313361275805	
197	Wind Guide Board	9363117004	9363117004	9363117004	9363117004	
210	Main Relay	9356781007	—	9356781007	—	
223	Control Box	9362762007	9362762007	9362762007	9362762007	
226	Motor Gear	9362764001	9362764001	9362764001	9362764001	
234	Thermistor Assy-Room	9703299025	9703299025	9703299025	9703299025	
235	Thermistor Assy-Pipe	9703297014	9703297014	9703297014	9703297014	
236	Controller PCB Assy	9703595028	9703595011	9703595042	9703595035	
240	Remote Control Unit	9703173028	9703173011	9703173028	9703173011	
244	Pipe Cover	9362748001	9362748001	9362748001	9362748001	
245	Cable Clamp	313714181904	313714181904	313714181904	313714181904	
329	Coupling Pipe Assy	9365354001	9365354001	9365354001	9365354001	
337-1	Reinforcement (Eva.)-A	9362749008	9362749008	9362749008	9362749008	
337-2	Reinforcement (Eva.)-B	9362750004	9362750004	9362750004	9362750004	
338	Motor Holder	9362765008	9362765008	9362765008	9362765008	
381	Locking Spacer	313209391506	313209391506	313209391506	313209391506	
457	Reinforcement (Drain Pan)	9362757003	9362757003	9362757003	9362757003	
460-1	Pump Cover-A	9362775007	9362775007	9362775007	9362775007	
460-2	Pump Cover-B	9362776004	9362776004	9362776004	9362776004	
462	Top Cover Plate Assy	9362806022	9362806022	9362806022	9362806022	
464	Cabinet-A Assy	9362807012	9362807012	9362807012	9362807012	
465	Cabinet-B Assy	9362808019	9362808019	9362808019	9362808019	
467	Drain Port	9362786003	9362786003	9362786003	9362786003	
468	Special Nut-A (Large)	313005446653	313005446653	313005446653	313005446653	
469	Special Nut-B (Small)	313005446759	313005446759	313005446759	313005446759	
472-1	Grille Reinforcement-A	9362738002	9362738002	9362738002	9362738002	
472-2	Grille Reinforcement-B	9362739009	9362739009	9362739009	9362739009	
472-3	Grille Reinforcement-C	9362740005	9362740005	9362740005	9362740005	
472-4	Grille Reinforcement-D	9362741002	9362741002	9362741002	9362741002	
472-5	Grille Reinforcement-E	9362742009	9362742009	9362742009	9362742009	
474	Turbo Fan Assy	9362810012	9362810012	9362810012	9362810012	
476-2	Special Washer	9362756006	9362756006	9362756006	9362756006	
477	Bellmouth (B)	9362774000	9362774000	9362774000	9362774000	



When you order parts, please make a photocopy of this page and fill the number of the parts in the "Order" column.

**INDOOR UNIT (Continued)**

Ref. No.	Description	Part No.				Ord. Qty
		AUY25ALC-W	AUY25RLC-W	AUY30ALC-W	AUY30RLC-W	
479	Float Switch	9703285004	9703285004	9703285004	9703285004	
482	Pump Unit	9703125010	9703125010	9703125010	9703125010	
484	Hook	9362736008	9362736008	9362736008	9362736008	
487	Grille Hinge Wire	9362754002	9362754002	9362754002	9362754002	
488	Drain Pan Plug	313005174654	313005174654	313005174654	313005174654	
514	Control Box Cover	9362763004	9362763004	9362763004	9362763004	
522	Joint Gear	9362772006	9362772006	9362772006	9362772006	
541	Terminal Plate	9363642001	9363642001	9363642001	9363642001	
542	Panel Base	9362759014	9362759014	9362759014	9362759014	
543	Panel Frame Holder	9362761017	9362761017	9362761017	9362761017	
544	Panel Base Holder	9362760010	9362760010	9362760010	9362760010	
545	Panel Frame	9362758017	9362758017	9362758017	9362758017	
563	Insulation (Inner Box)	9362797009	9362797009	9362797009	9362797009	
565	Evaporator Holder Assy	9362802024	9362802024	9362802024	9362802024	
628	Locking Spacer-B	313005446558	313005446558	313005446558	313005446558	
629	EMI Filter	0400056133	0400056133	0400056133	0400056133	
690	Joint-A	9362773003	9362773003	9362773003	9362773003	
692	Joint Shaft	9362771009	9362771009	9362771009	9362771009	
705	Louver	9362769013	9362769013	9362769013	9362769013	
710	Intake Grille	9362767019	9362767019	9362767019	9362767019	
735	Distributor Assy	9365353004	9365353004	9365353004	9365353004	
777-1	Grille Hook-A	9362779012	9362779012	9362779012	9362779012	
777-2	Grille Hook-B	9362778015	9362778015	9362778015	9362778015	
798	Pump Hook Bracket	9362753005	9362753005	9362753005	9362753005	
803	Cabinet-D	9362792004	9362792004	9362792004	9362792004	
814	Cabinet-C	9362791007	9362791007	9362791007	9362791007	
815-1	Terminal-3P	9306489069	9306489069	9306489069	9306489069	
815-2	Terminal-3P	9703345012	9703345012	9703345012	9703345012	
824-3	Fuse	0600285210	0600285210	0600285210	0600285210	
834-1	Wire Cover-A	9362789004	9362789004	9362789004	9362789004	
834-2	Wire Cover-B	9362788007	9362788007	9362788007	9362788007	
835	Cushion Rubber(Pump)	9362777001	9362777001	9362777001	9362777001	
847	Louver Supporter	9362770019	9362770019	9362770019	9362770019	
858	Grille Spring	9362755009	9362755009	9362755009	9362755009	
875	Filter PCB Assy	9703683015	9703649011	9703683015	9703649011	
876-2	Step Motor	9360307019	9360307019	9360307019	9360307019	
903	Rubber (Vibration-proof) A	9364891002	9364891002	9364891002	9364891002	
904	Rubber (Vibration-proof) B	9364892009	9364892009	9364892009	9364892009	
982-1	Cord Clamp	9356857009	9356857009	9356857009	9356857009	
998	Bypass Pipe-A	9365360002	9365360002	9365360002	9365360002	
999	Bypass Pipe-B	9365361009	9365361009	9365361009	9365361009	

When you order parts, please make a photocopy of this page and fill the number of the parts in the "Order" column.

**OUTDOOR UNIT**

Ref. No.	Description	Part No.				Ord. Q'ty
		AOY25AZCL	AOY25RZCL	AOY30ABML	AOY30RBML	
2	Fan Cover (Guard)	9359808015	9359808015	9359808015	9359808015	
4	Emblem-Rear	9359836018	9359836018	9359836018	9359836018	
5	Cabinet-A, Painted	9359797043	9359797043	9359797029	9359797029	
7	Connector Cover	9358011010	9358011010	—	—	
8	Wire Assy (Shield)-D	—	—	9359904021	9359904021	
9	Cabinet-B, Painted	9361323025	9361323025	9359798026	9359798026	
12	Base Assy, Painted	9359812029	9359812029	9359812029	9359812029	
13-1	Packed Valve (5/8A)	9365096000	9365096000	—	—	
13-2	Packed Valve (3/8)	9360150004	9360150004	9360150004	9360150004	
13-3	3-Way Valve (5/8)	—	—	9360157003	9360157003	
15	Dryer	9353789006	9353789006	9353789006	9353789006	
16	Condenser Assy	9365636008	9365438008	9360280015	9360280015	
17	"U" Pipe-Y	9305523009	9305523009	—	—	
18	Suction Pipe	9365610008	9365409008	—	—	
19-2	Joint Pipe (Capillary)	9365621004	—	—	—	
19-3	Capillary Tube	9365622001	—	—	—	
20	Discharge Pipe Assy	9365618004	9365419007	—	—	
21	Discharge Pipe-B	—	9365412008	9360156006	9360156006	
26	Compressor Cover-A	9365426005	9365426005	9362501002	9362501002	
29	Separate Wall	9359805014	9359805014	9359804017	9359804017	
32	Control Box Metal	—	—	9359839019	9359839019	
32	Control Box Metal-A	9361409026	—	—	—	
32	Control Box Assy	—	9365086001	—	—	
34	Capacitor (Fan Motor)	9357965024	9703306051	9357965024	9700467052	
37	Running Capacitor	9703107016	9703107016	9703107078	9703107078	
38	Capacitor Clamp	9351770013	9365088005	9360610010	9360610010	
39	Propeller Fan	9359837015	9359837015	9359837015	9359837015	
41	Fan Motor Assy-Out	9600832011	9600832011	9600832011	9600832011	
45-1	Motor Bracket Metal	9359802013	9359802013	9359801016	9359801016	
45-2	Motor Bracket-Top Metal	9359803010	9359803010	9369803010	9359803010	
46	Compressor Assy	9360509017	9360509017	9360613011	9360613011	
54	Condensing Pipe	9365620007	—	—	—	
55	Special Nut M8 (For Comp.)	313252257701	313252257701	313252257701	313252257701	
64	Cabinet Left	9359840046	9359840046	9359840022	9359840022	
82	Check Joint Assy	—	—	9360762009	9360771001	
83	Check Joint Bracket Metal	—	—	9359807018	9359807018	
84	Valve Cover	9361325012	9361325012	9359817017	9359817017	
85	Valve Fixing Plate Metal	9361324015	9361324015	9359806011	9359806011	
88	Restrictor Valve	—	—	—	9360146007	
107	Rubber Seat-A (For Comp.)	313093081402	313093081402	313102081406	313102081406	
108	Sleeve-A (For Comp.)	313093081706	313093081706	313696081700	313696081700	
109	Terminal Cover (For Comp.)	313202059600	313202059600	9352456022	9352456022	
111	Terminal Packing (For Comp.)	313202059807	313202059807	9352456039	9352456039	
128-1	Rubber (Discharge Pipe)	—	—	—	313155086308	
178-2	Capillary Holder Rubber	—	—	313394274808	313394274808	
187	Clamp No.1219	313361271706	313361271706	313361271706	313361271706	
210	Main Relay	—	9356781007	—	—	
218-2	Power Relay	—	—	9351553012	—	
218-3	Power Relay	9704171016	—	9353619006	—	
233	Power Transformer	—	9701549016	—	9701549016	
236	Controller PCB Assy	—	9701936014	—	9702834012	
259	Muffler	—	313755083903	313755083903	313755083903	
272	Strainer	—	—	—	9360147011	
327	Suction Pipe-A	—	—	9360152008	9360152008	
332	Suction Pipe-E	—	—	9361052000	—	
333	Accumulator	—	313986117201	9366439004	9366439004	
334	Suction Pipe-B	—	9365411001	—	—	
343	Solenoid Coil	—	9359616108	—	9360538024	
344	4-Way Valve	—	9300604017	—	9360195005	
348	Outlet Pipe (Cond.) Assy	—	—	9360171009	9360131003	

When you order parts, please make a photocopy of this page and fill the number of the parts in the "Order" column.

**OUTDOOR UNIT (Continued)**

Ref. No.	Description	Part No.				Ord. Q'ty
		AOY25AZCL	AOY25RZCL	AOY30ABML	AOY30RBML	
349	Outlet Pipe-E	—	—	9360174000	—	
351	Outlet Pipe-F	—	—	—	9360158000	
353	Thermistor Assy-Pipe	—	9701330010	—	9701330010	
355	Switch Bracket	313986353607	—	—	—	
361	Accumulator Support Assy	—	313986353804	—	—	
381	Locking Spacer	—	313209391506	—	313209391506	
401	Terminal-2P	—	—	9701971015	—	
407	Clamp (Cable) No.1259	—	—	313739340109	313739340109	
420	Capillary Assy	—	9365421000	—	—	
450	Discharge Pipe-A	—	—	9360166005	9360124005	
477	Bellmouth	9359809012	9359809012	9359809012	9359809012	
527	Protection Net	9359845010	9359845010	9359844013	9359844013	
549	Thermostat-Outdoor	9352553004	9357328027	9353680006	9357328027	
620	Inlet Pipe (Cond.) Assy	—	9365413005	9360167002	9360126009	
628	Locking Spacer-B	—	313005446558	—	313005446558	
629	EMI Filter	—	0400056133	—	0400056133	
646	Compressor Cover-B	313986355101	313986355101	9353368003	9353368003	
652-1	Thermistor Holder Pipe	—	313806262805	—	313806262805	
653-1	Bolt (Fan Motor Fixing)	0700156014	0700156014	0700156014	0700156014	
678	Bracket (Thermistor)	—	313557406106	—	313557406106	
734	Cabinet Top Plate	9359799023	9359799023	9359799023	9359799023	
744	Clamp (Condenser)	313166374106	313166374106	313166374106	313166374106	
788	Thermistor-Discharge	—	9358337028	—	9358337011	
790	Belt Heater	—	—	9361140035	9361140035	
808	Inlet Pipe (Accumulator)	—	9365410004	—	—	
812	Grip	—	—	9352157004	9352157004	
815	Terminal-5P	9356497021	9356497021	—	—	
815-3	Terminal-8P	—	—	9358660119	9358660119	
817	Thermostat Fixture	9352164019	—	9352164019	—	
819-1	Joint Pipe (Valve)	—	9365418000	—	—	
823-2	Fuse Holder	0500063024	—	0500063024	—	
824-4	Fuse	0600222529	—	0600222529	—	
826	Condensing Pipe-B	—	9365408001	—	—	
846	Power Relay	—	—	—	9357058009	
857	Inlet Pipe (Accumulator)-B	—	9365417003	—	—	
867	Accumulator Holder Rubber	—	9354022010	9354022010	9354022010	
880-2	Network	9701020010	—	—	—	
909	Strainer-A	—	9365112014	—	—	
949-1	Screw, Painted White	—	—	9305648009	9305648009	
983	Thermostat Cover	9358274002	—	9358274002	—	
989-1	Cord Clamp-A	9359822011	9359822011	9359822011	9359822011	
989-2	Cord Clamp-B	9359823018	9359823018	9359823018	9359823018	

**[INDOOR UNIT]**  
**CONTROLLER PCB ASSEMBLY (Ref. No.236)**

When you order parts, please make a photocopy of this page and fill the number of the parts in the "Order" column.

Ref. No.	Description	Part No.	Ord. Q'ty	Ref. No.	Description	Part No.	Ord. Q'ty
IC1	IC uPD78014HCW-029	9703639012		R85	Res. 1/10W 3.3kohm+-1%	0200279251	
IC2	IC NJM7812FA	0100462104		R86	Res. 1/10W 39kohm+-5%	0200213156	
IC3	IC NJM7805FA	0100462081		R88	Res. 1/10W 22kohm+-1%	0200279657	
IC4-6	IC uPA2003GRE2	0100028041		R89	Res. 1/4W 1kohm+-5%	0200708744	
IC7	IC BR93LC46RF-E2	0100295016		R90	Res. 1/10W 47kohm+-5%	0200213170	
IC8	IC PST600CMTR	0101461120		R91	Res. 1/10W 2.2kohm+-5%	0200212821	
IC9	IC TLP621(D4)-GB	0000117074		CJ1	Res. 0 ohm	0200212012	
IC11	IC BA10358FE2	0101846071		C1,2	Cap. Plastic 0.022mfd	0301052098	
IC13	IC G3WA-201PL	9703248016		C4	Cap. Ceramic 470pF	0301102649	
IC14	IC BA10393FT2	0101269023		C5	Cap. Elec. 450V 100mfd	0300256060	
IC15	IC PS2561-1-V L	0000050456		C6	Cap. Ceramic 4700pF	0300269091	
Q1	Xstr 2SC4236	0000164047		C7	Cap. Plastic 50V 0.047mfd	0300169339	
Q2	Xstr 2SC1815	0000002011		C8	Cap. Elec. 25V 100mfd	0301197560	
Q3,4	Xstr DTC124EKA	0000936033		C9	Cap. Elec. 25V 1000mfd	0301196495	
Q5,6,9,10	Xstr 2SC2712	0000781053		C10,11,33,36	Cap. Elec. 25V 10mfd	0301192312	
Q8	Xstr uPA609T	0000820035		C12,57	Cap. Elec. 25V 1000mfd	0301158264	
D1	Diode D3SB60	0000689045		C13,15,34,37,39,44,45,47,60	Cap. Ceramic 50V 0.1mfd	0300311752	
D2,4,7	Diode D1FL20U	0000746519		C14	Cap. Elec. 25V 100mfd	0301192350	
D3	Diode MTZJ5.1B	0000852166		C16-31,38,40,46,49,CJ2	Cap. Ceramic 50V 0.01mfd	0300311738	
D5	Diode 1SR139-600	0000353120		C32,35,50-53	Cap. Ceramic 50V 1000pF	0300308509	
D6	Diode D2FL20U	0000906500		C54	Cap. Ceramic 250V 0.01mfd	0300209127	
D8,14	Diode D1F60	0000208024		C58	Cap. Elec. 25V 220mfd	0301021490	
D9,10	Diode DA226U	0000625036		C61	Cap. Ceramic 50V 4700pF	0300277171	
D12,17	Diode DAN202K	0000684019		C62	Cap. Elec. 25V 22mfd	0301192329	
D15	Diode MTZJ11B	0000853095		SW1,4	Switch, Slide DSS803	9701392018	
D16	Diode MTZJ7.5B	0000852012		SW2	Switch, Rotary DRS4016-5	9701694013	
R1	Res. Cement 5W 3.3ohm+-10%	0200153148		CR1	CR Absorbar RPEL-121204	9701125012	
R2	Res. Metal 2W 1.5ohm+-5%	0201107119		X1	Ceramic Resonator EF0EC8384T4	9701261017	
R3	Res. 1/10W 100ohm+-5%	0200212500		VA4,5	Varistor TNR12G471K	0000038010	
R4	Res. Metal Film 2W 330kohm+-5%	0200357133		K4	Relay G5N-1A	9701566013	
R5	Res. Metal Oxide 2W 62kohm+-5%	0201107997		T1	Switching Transformer ETS28AS118AH	9702727017	
R6	Res. 1/2W 100ohm+-5%	0200731506		L2-4	EMI Filter EXCEMT103DT	0400406396	
R7	Res. 1/4W 330ohm+-5%	0200708621		L5	EMI Filter LQH3C470K34T1	0400201298	
R8,10,13,15-17,21-24,29-32,37,39,48,50,52,55,59,60,61,66,68,70	Res. 1/10W 10kohm+-5%	0200213019		CN1	Plug, PCB 5-1123724-2	0501321574	
R9,47,65	Res. 1/10W 390ohm+-5%	0200212647		CN3	Plug, PCB 53406-9910	0500951048	
R11	Res. Metal Oxide 1W 560kohm+-5%	0201106662		CN4	Plug, PCB 2-1123724-2	0501321529	
R12,18-20,25-28,33-36,38,42,44,46,49,51,58,67,69,73	Res. 1/10W 1kohm+-5%	0200212746		CN5	Plug, PCB 1-1123724-3	0501321451	
R40,41,62,71,72,79	Res. 1/10W 4.7kohm+-5%	0200212906		CN6	Plug, PCB 3-1123724-2	0501321536	
R43	Res. 1/10W 10kohm+-1%	0200279497		CN7	Plug, PCB B2B-XAKK-1-A	0501045227	
R45	Res. 1/10W 49.9kohm+-1%	0200279824		CN8	Plug, PCB B2B-XASK-1-A	0501045012	
R63	Res. 1/10W 15.4kohm+-1%	0200279565		CN9	Plug, PCB B5P-SHF-1AA	0500006069	
R64	Res. 1/10W 28kohm+-1%	0201114445		CN10	Plug, PCB B5B-XASK-1-A	0501045043	
R75,76	Res. Metal Oxide 2W 22kohm+-5%	0201107614		CN12	Plug, PCB B3B-XASK-1-A	0501045029	
R77	Res. 1/4W 470ohm+-5%	0200708669		CN14	Plug, PCB B4B-XH-AM	0500005314	
R80	Res. 1/10W 33ohm+-5%	0200212388		CN15	Plug, PCB B3B-XARK-1-A	0501045319	
R81,87	Res. 1/10W 33kohm+-1%	0200279732		CN16	Plug, PCB 1-1123723-3	0501321079	
R82	Res. 1/10W 5.6kohm+-1%	0200279374		CN17	Plug, PCB B3B-XAKK-1-A	0501045357	
R83	Res. 1/10W 3.9kohm+-1%	0200279299		CN21	Plug, PCB 1-1123724-2	0501321512	
R84	Res. 1/10W 15kohm+-1%	0200279572		JM2,3	Wire 0.6dia. L=10mm	9700025016	
				JM9	Res. 0 ohm	0200230016	
				E1	Wire w/Terminal L=150 GRN	9702313029	

**FILTER PCB ASSEMBLY (Ref. No.875)**

Ref. No.	Description	Part No.	Ord. Q'ty	Ref. No.	Description	Part No.	Ord. Q'ty
C101,102	Cap. Plastic 1mfd	0300304136		LF101	EMI Filter ELF18D650C	0400410294	
C103,104	Cap. Plastic 0.047mfd	0301052111		F101	Fuse 2183.15	0600285210	
C105,106	Cap. Plastic 0.022mfd	0301052098		FH1,FH2	Fuse Holder PFC5000-0502	0500158072	
SA101	Arrestor DSA-362MA-05	0600168032		W102,W105	Wire #18 2P	9703251030	
VA101,VA102	Varistor TNR12G471K	0000038010		W103,W104	Wire #18 2P	9703251023	
TM101,TM102	Plug Contact 86028	0500536016		E101	Wire w/Terminal L=100 GRN	9702313012	


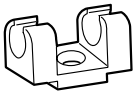




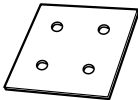
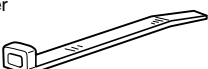

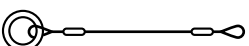
[OUTDOOR UNIT]  
CONTROLLER PCB ASSEMBLY (Ref. No.236)

When you order parts, please make a photocopy of this page and fill the number of the parts in the "Order" column.

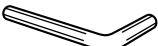


Ref. No.	Description	Part No.	Ord. Qty	Ref. No.	Description	Part No.	Ord. Qty
IC1	IC uPD78081CU-011	9701721016		HT1	Heat Sink PUG 26-25	9701428014	
IC2	IC HU2001	9701651016		CR1-3	CR Absorbar RPEL-121204 -C	9701125012	
IC3	IC PST600D-2-TP	0101461113		L1	EMI Filter SU16VF-15030	0400134114	
IC4	IC NJM7805FA	0100462081		X1	Ceramic Resonator EF0EC5004T4Z	9701261024	
IC5,6	IC BA12003	0101650012		VA1,4	Varistor TNR12G471K	0000038010	
Q1	Xstr 2SD880	0000001014		K1-6	Relay JQ1-12V	9701316014	
Q2,3	Xstr DTC124ES	0000517010		F1	Fuse 2183.15	0600285210	
D1	Diode D2SB20	0000599023		FH1,2	Fuse Holder PFC5000-0502	0500158072	
D2	Diode MTZJ15C	0000852203		LED1,2	LED SLR-325VC	0000813259	
D3-5	Diode 1SR139-400	0000353137		CN1	Plug, PCB 53406-9110	0500951086	
D6	Diode 1SS133	0000572019		CN2	Plug, PCB B2P3-VH-B-R	0500011766	
R1,2	Res. Carbon 1/4W 5.6kohm+-5%	0200994192		CN3	Plug, PCB B2B-XH-AM	0500005321	
R3,6,10-12,14,16,18,20,24	Res. Carbon 1/4W 1kohm+-5%	0200994017		CN4,6	Plug, PCB 53331-0210	0501033019	
R4,26	Res. Carbon 1/4W 4.7kohm+-5%	0200994178		CN5	Plug, PCB B4P7-VH-B	0500011742	
R5,7-9,13,21-23,25	Res. Carbon 1/4W 10kohm+-5%	0200994253		CN7	Plug, PCB B4P7-VH-B-R	0500011797	
R15,17	Res. Metal 1/5W 14kohm+-1%	0201028612		CN8	Plug, PCB 179844-2	0501121020	
R19	Res. Metal 1/5W 6.65kohm+-1%	0201028766		CN9	Plug, PCB 179844-1	0501121013	
C1,4	Cap. Plastic 0.1mfd	0300894835		CN10	Plug, PCB B4P-SHF-1AA	0500006038	
C2,3	Cap. Ceramic 4700pF	0300727546		CN11	Plug, PCB B2P-VH-B	0500011124	
C5	Cap. Elec. 50V 2200mfd	0301206026		CN12	Plug, PCB B2P-VH-B-C	0500011568	
C6,7,21,24,27	Cap. Elec. 25V 10mfd	0300004258		CN13	Plug, PCB B2P-VH-B-R	0500011148	
C8,18,19,22,25,28,29,34,36	Cap. Ceramic 0.1mfd	0300988251		CN15	Plug, PCB B2B-XASK-1-A	0501045012	
C9-11,14-16,30	Cap. Ceramic 0.01mfd	0300013113		JM1-3,5,7-9,11,12,14-16,18,19-31,34,36,37,FJ1,3,4,CJ12,13	Wire 0.6dia. L=5mm	9701260010	
C17	Cap. Elec. 25V 100mfd	0300051375		JM4,6,10,13,17,32,35,45,47	Wire 0.6dia. L=10mm	9700025016	
C20,23,26,35	Cap. Ceramic 1000pF	0300011096		JM38-41,44,46	Wire 0.6dia. L=15mm	9700672012	
C33	Cap. Elec. 25V 2200mfd	0300915417		JP1	Wire 0.6dia. L=7.5mm	9701076017	
RC1	RC Module ARCL14FS103J102J103M	0200301020		E	Wire w/Terminal L=210 GRN	9701325016	
SA1	Arrester DSA-362MA-05	0600168032					

# STANDARD ACCESSORIES

## INDOOR UNIT ACCESSORIES

Name and Shape	Q'ty	Application	Part No.
Coupler heat insulation 	2	For indoor side pipe joint	9350716029 } 9352766015 } 1 each
Remote control unit cord clamp 	10	For installing the remote control unit cord	313714181904
Screw 	10	For installing the remote control unit	301141153027
	2	For installing the remote control unit	301141134166
Special nut A (large flange) 	4	For installing indoor unit	313005446653
Special nut B (small flange) 	4	For installing indoor unit	313005446759
Remote control unit 	1	Installation to indoor unit	(Cooling model) 9703173028
			(Cooling & Heating model) 9703173011
Template 	1	For ceiling hole cutting	9363173000
Binder 	2 (large)	For remote control unit cord binding	313035356905
	1 (small)	For remote control unit and remote control unit cord binding	313361275805
Blower cover insulation 	2	For discharged air	9363265002
Hook wire 	2	For installing intake grille	9363168006

## OUTDOOR UNIT ACCESSORIES

Hexagon wrench 	1	For opening the refrigerant valve on the outdoor unit	9351228019
Drain pipe 	1	For outdoor unit drain piping work [Heat & Cool (Reverse cycle) model only]	9303029015
Drain cap 	2		313166024302