

**SPLIT TYPE
AIR CONDITIONER**

CASSETTE type (50Hz)

SERVICE MANUAL

MODELS : Indoor unit Outdoor unit
 AUY18AGA AOY18AZCL
 AUY18RGA AOY18RZCL

C O N T E N T S

SPECIFICATIONS	1
OUTLINE AND DIMENSIONS	2
CIRCUIT DIAGRAM	4
REFRIGERANT SYSTEM DIAGRAM	6
REMOTE CONTROL UNIT CIRCUIT DIAGRAM	7
P.C. BOARD LAYOUTS	9
INDOOR PRINTED CIRCUIT BOARD CIRCUIT DIAGRAM	10
DISASSEMBLY ILLUSTRATION	12
PARTS LIST	18

SPECIFICATIONS

TYPE		COOL	COOL & HEAT
INDOOR UNIT		AUY18AGA	AUY18RGA
OUTDOOR UNIT		AOY18AZCL	AOY18RZCL
COOLING CAPACITY	(kW)	4.95-5.10	4.85-5.00
HEATING CAPACITY	(kW)	-	5.30-5.45

ELECTRICAL SPECIFICATIONS

POWER SUPPLY	(V)	220-240	
FREQUENCY	(Hz)	50	
RUNNING CURRENT	(A)	COOLING	9.2-9.1
		HEATING	-
INPUT	(kW)	COOLING	2.00-2.10
		HEATING	-
EER	(kW / kW)	COOLING	2.48-2.43
		HEATING	-
MOISTURE REMOVAL	(ℓ / hr)	2.1	2.1
AIR CIRCULATION-HI	(m ³ / hr)	650	650

COMPRESSOR

TYPE	Hermetic type		
CODE	AWG5524E×C		
	220-240V 50Hz		
REFRIGERANT	R-22	(g)	1,170
			1,800

FAN MOTOR

POWER SUPPLY	(V)	240
INDOOR UNIT	TYPE	MFA-18DTH
	HI-SPEED	(r.p.m.) 820
	MED-SPEED	(r.p.m.) 740
	LO-SPEED	(r.p.m.) 620
OUTDOOR UNIT	TYPE	MFB-252TA
	HI / LO	(r.p.m.) 740 / 280

DIMENSIONS

INDOOR UNIT	(HEIGHT) 235 mm × (WIDTH) 580 mm × (DEPTH) 580 mm + 70 mm
OUTDOOR UNIT	(HEIGHT) 643 mm × (WIDTH) 840 mm × (DEPTH) 336 mm
GRILLE	(HEIGHT) 35 mm × (WIDTH) 650 mm × (DEPTH) 650 mm

WEIGHT

INDOOR UNIT	NET / GROSS (kg)	18 / 23	18 / 23
OUTDOOR UNIT	NET / GROSS (kg)	66 / 73	68 / 76
GRILLE	NET / GROSS (kg)	2.2 / 4.3	2.2 / 4.3

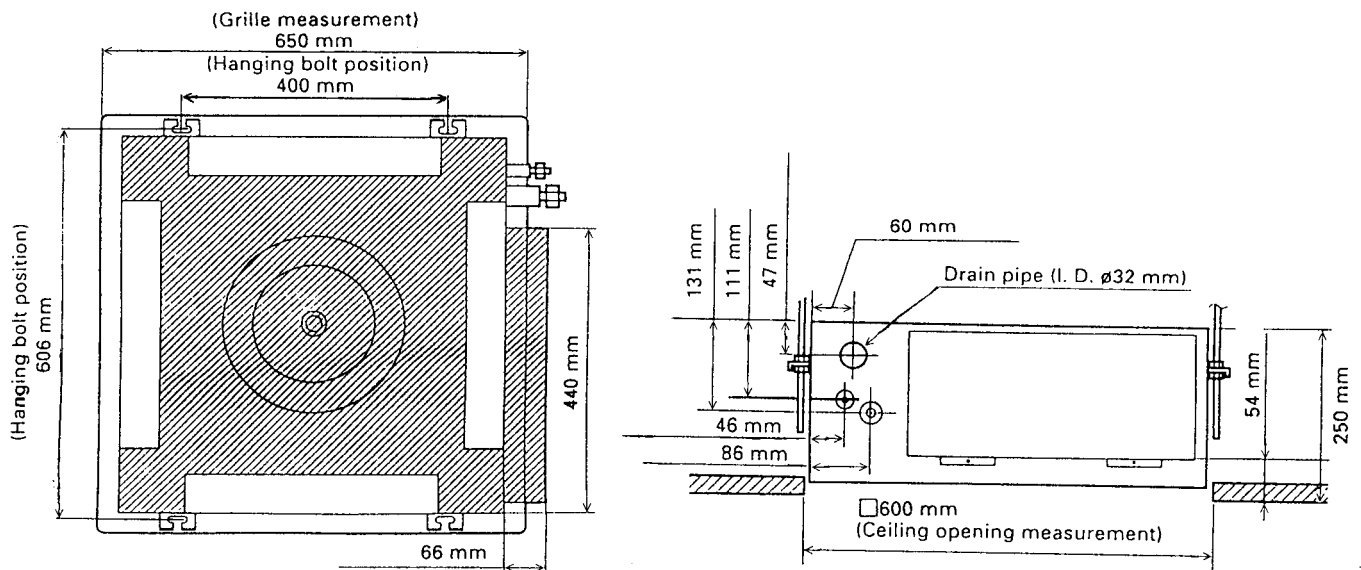
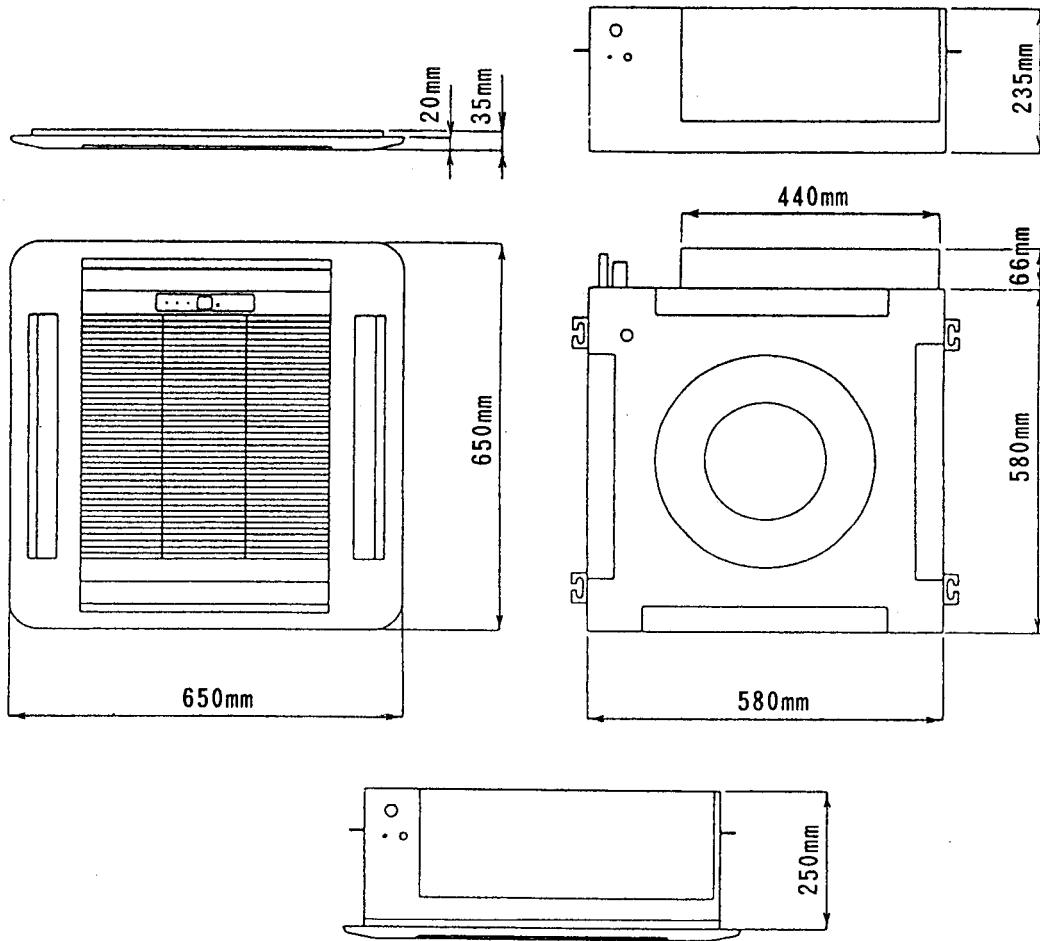
ADDITIONAL REFRIGERANT

PIPE LENGTH		5m(16ft.)	10m(33ft.)	15m(49ft.)	20m(66ft.)
FULL CHARGE AMOUNT	AUY18AGA	1,170g(41.3oz.)	1,245g(43.9oz.)	1,320g(46.6oz.)	1,395g(49.2oz.)
	AUY18RGA	1,800g(63.5oz.)	1,950g(68.8oz.)	2,100g(74.1oz.)	2,250g(79.4oz.)

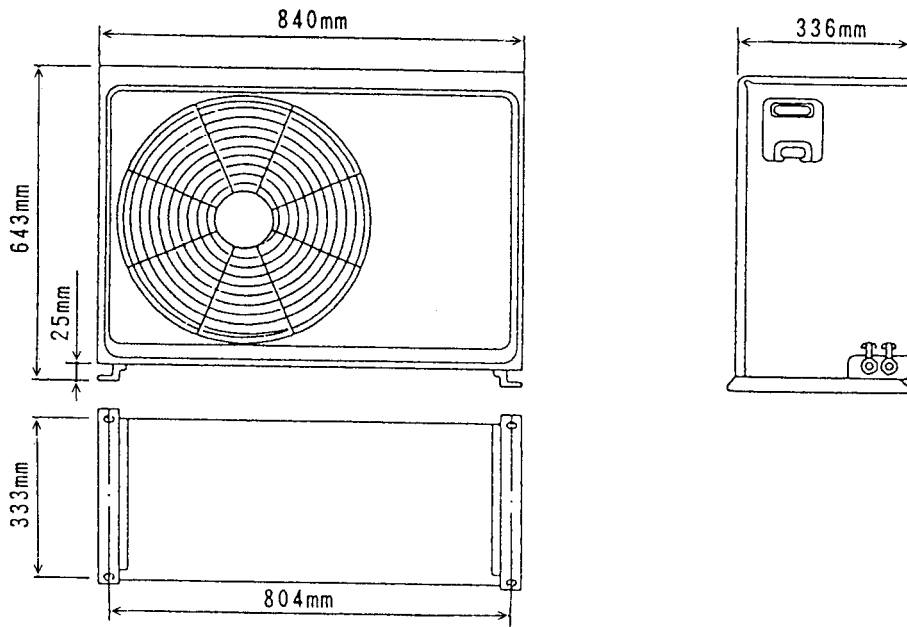
Note : In the case that 5 m are exceed, when using a connection pipe other than that in the table, charge additional refrigerant with 15g(0.53oz.)/1m(3.3ft) for AUY18AGA model and 30g(1.06oz.)/1m(3.3ft) for AUY18RGA model as the criteria.

OUTLINE AND DIMENSIONS

INDOOR UNIT

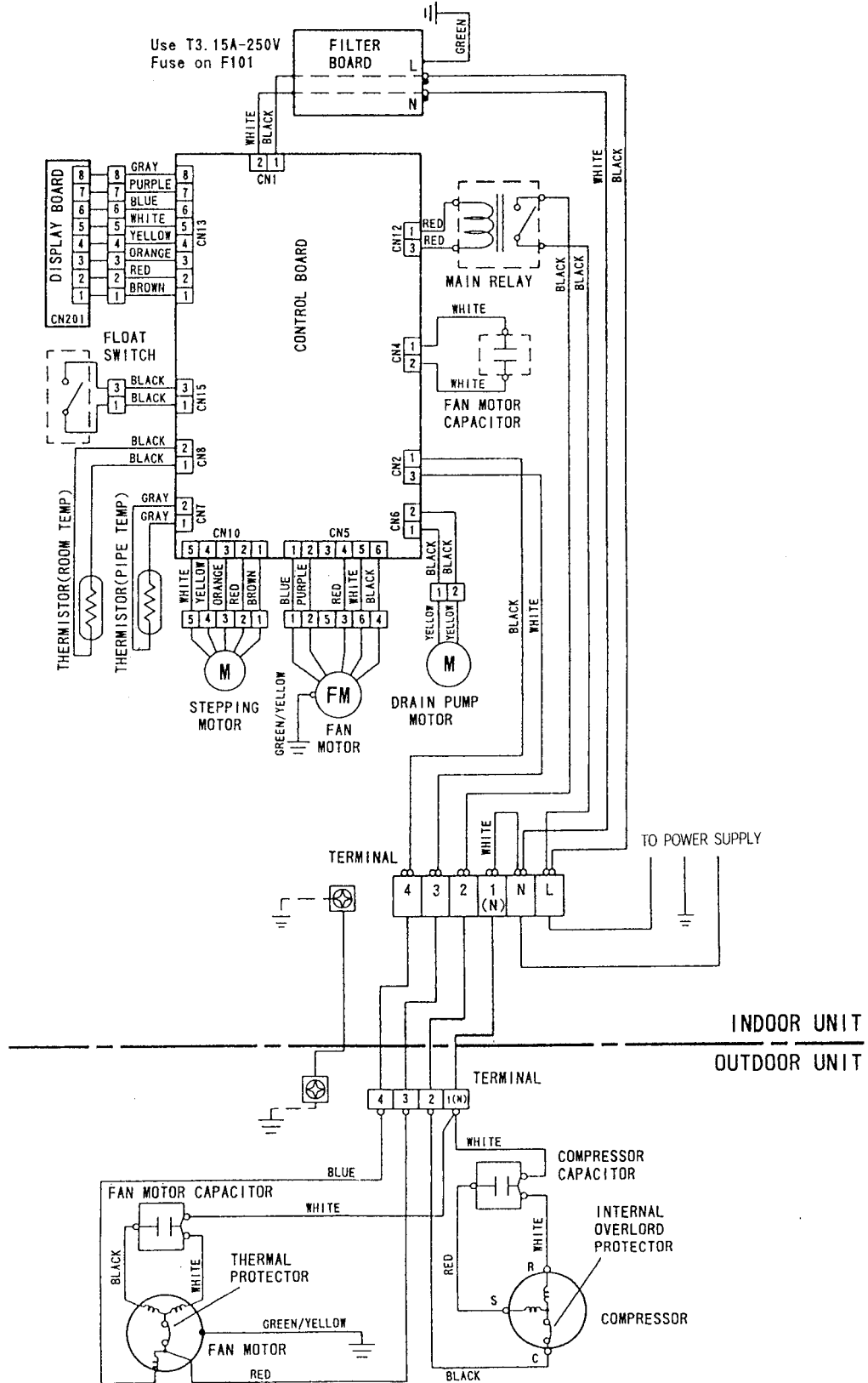


OUTDOOR UNIT

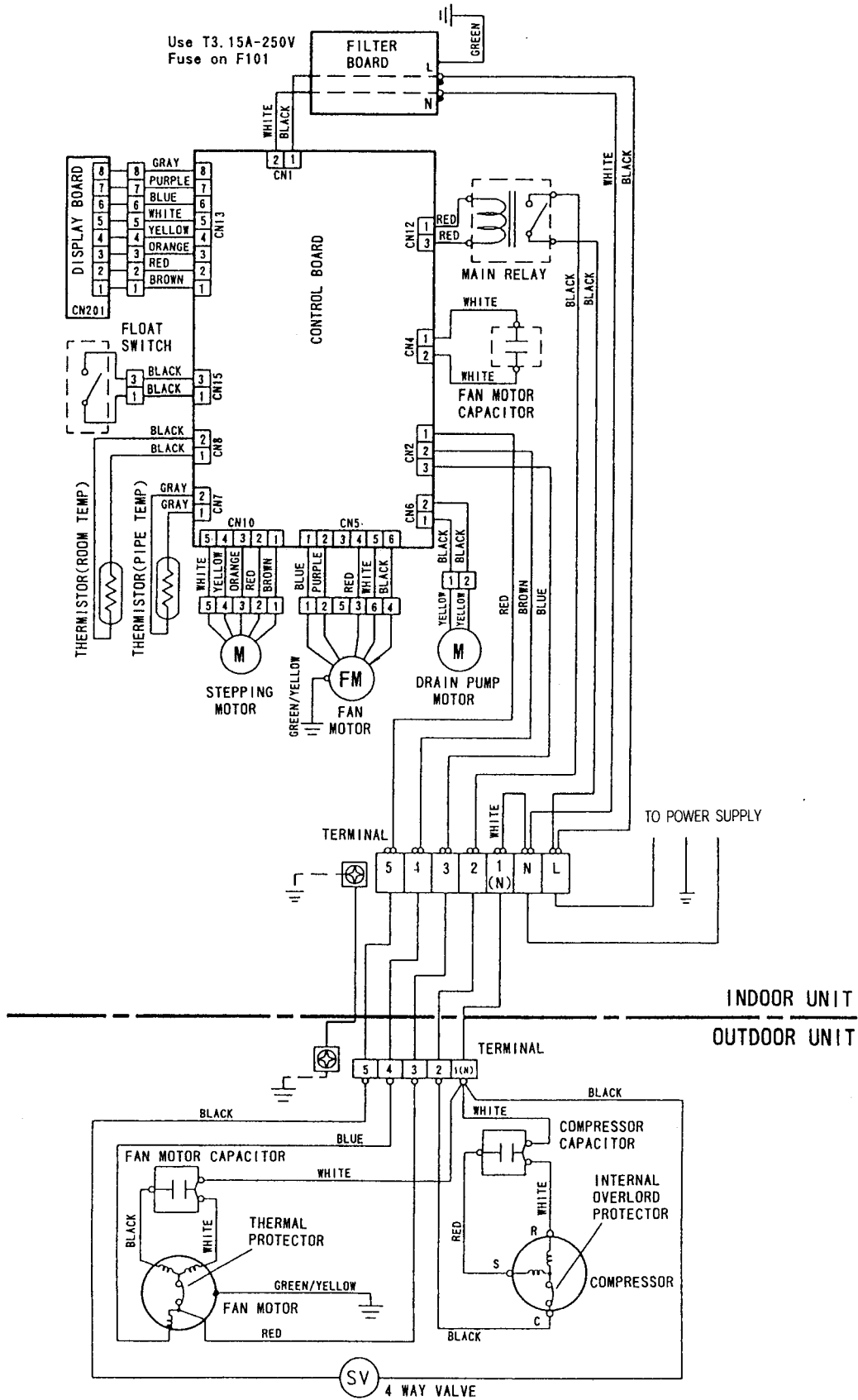


CIRCUIT DIAGRAM

Models : AU Y18AGA / AO Y18AZCL

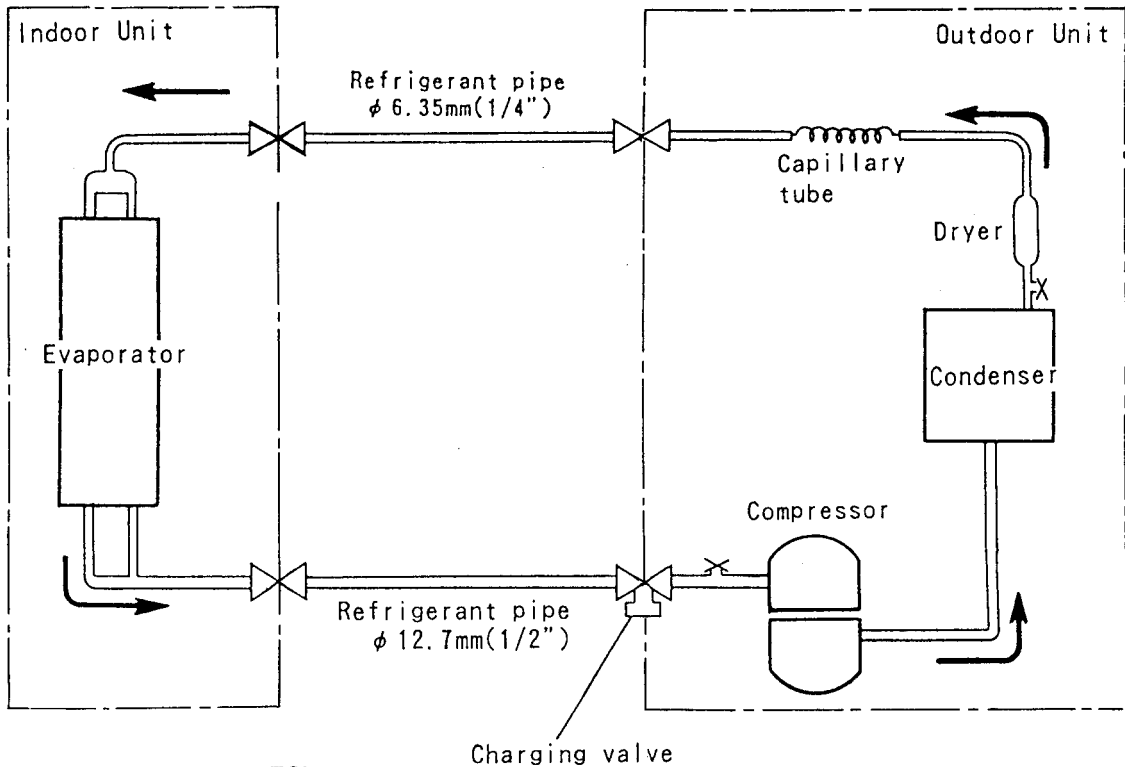


Models : AUY18RGA / AOY18RZCL

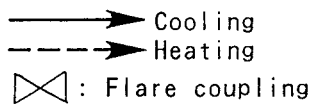
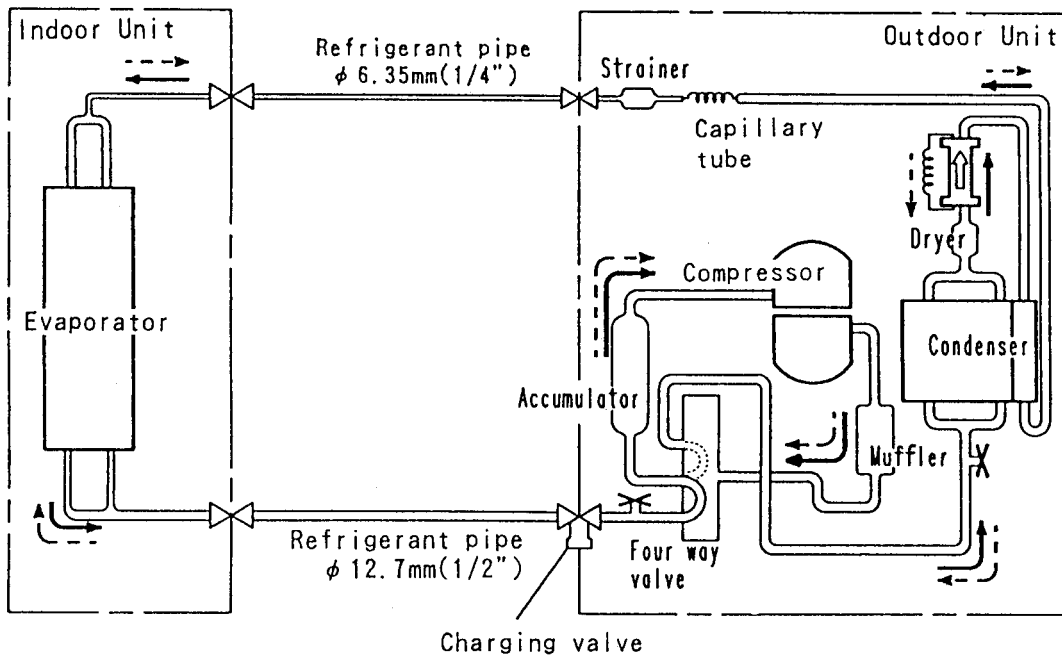


REFRIGERANT SYSTEM DIAGRAM

Models : AU Y18AGA / AO Y18AZCL



Models : AU Y18RGA / AO Y18RZCL

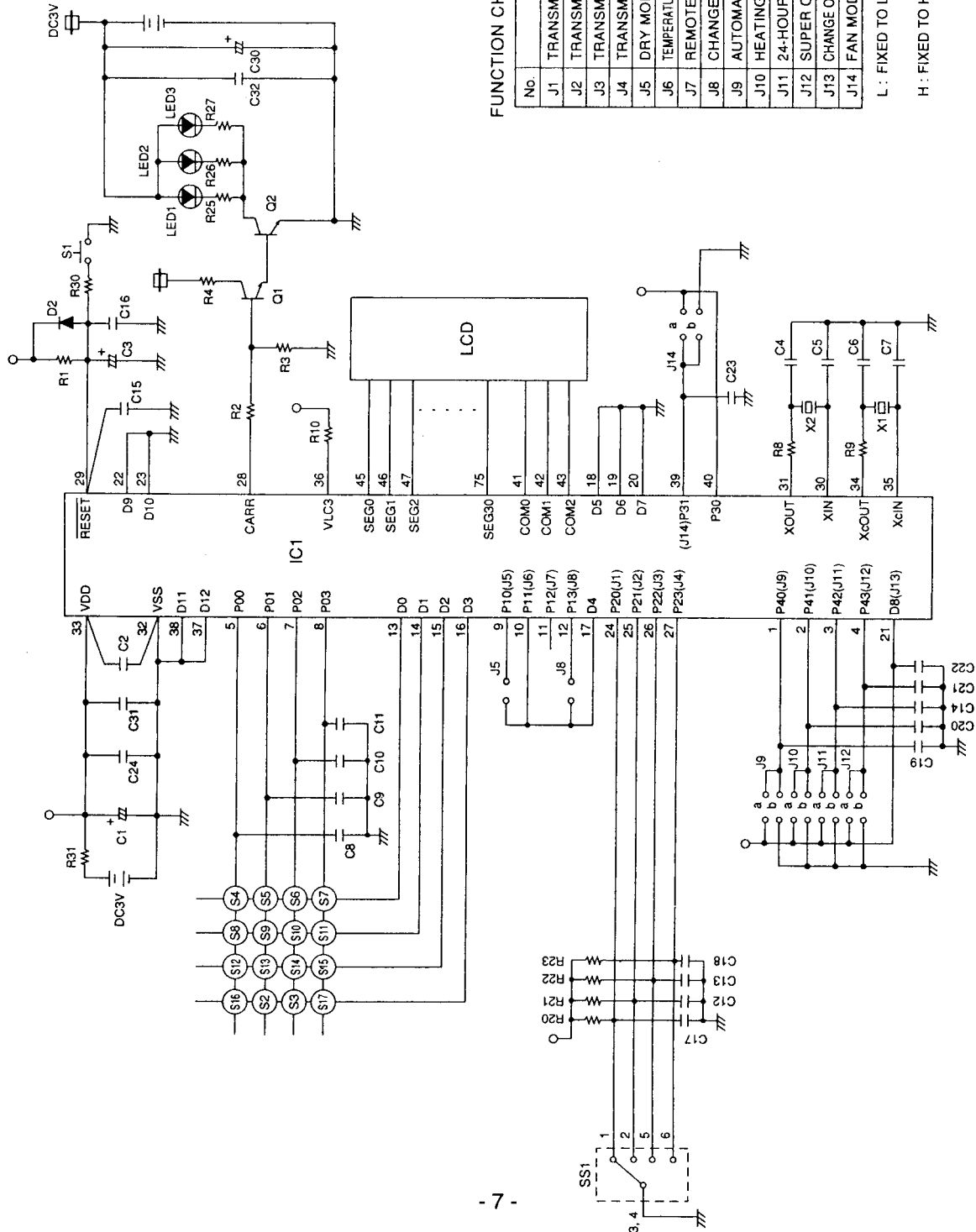


REMOTE CONTROL UNIT CIRCUIT DIAGRAM

Model : AUY18AGA

KEY NO. : KEY FUNCTION
CORRESPONDENCE TABLE

No.	KEY FUNCTION
S1	ACL
S2	TIMER ADJUST
S3	TEST RUN
S4	START/STOP
S5	MASTER CONTROL
S6	SET TEMP.(+), SET TIME(+)
S7	SET TEMP.(-), SET TIME(-)
S8	FAN CONTROL
S9	
S10	
S11	UP AND DOWN SWING
S12	UP AND DOWN WIND
S13	ENERGY SAVE
S14	RIGHT AND LEFT SWING
S15	TIMER SELECTOR
S16	SLEEP
S17	RIGHT AND LEFT WIND



FUNCTION CHANGE BY THE JUMPER WIRE

No.	FUNCTION
J1	TRANSMITTING CODE CHANGE L
J2	TRANSMITTING CODE CHANGE H
J3	TRANSMITTING CODE CHANGE H
J4	TRANSMITTING CODE CHANGE H
J5	DRY MODE H
J6	TEMPERATURE DISPLAY OF AUTOMATIC OPERATION L
J7	REMOTE CONTROL_SELECTOR H
J8	CHANGE OF TEMPERATURE UNIT H
J9	AUTOMATIC OPERATION H
J10	HEATING MODE L
J11	24-HOUR/12-HOUR H
J12	SUPER QUIET H
J13	CHANGE OF AUTOMATIC OPERATION DISPLAY H
J14	FAN MODE H

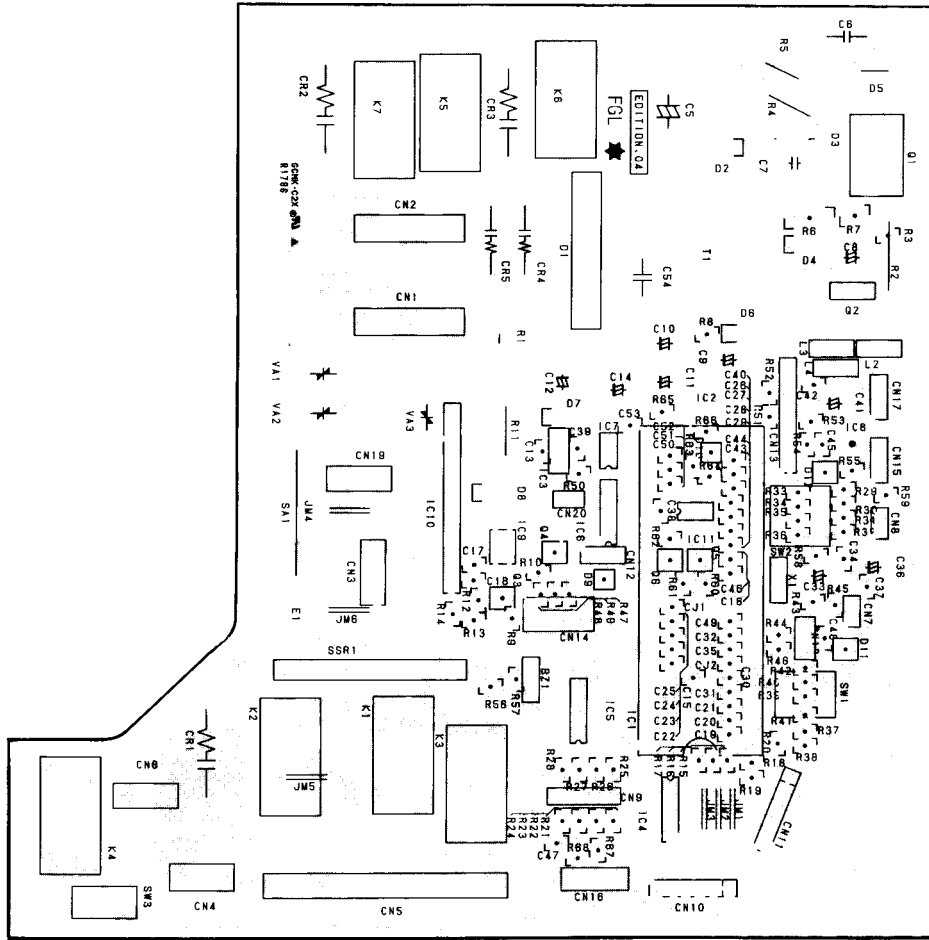
L : FIXED TO LOW LEVEL

H : FIXED TO HIGH LEVEL

P.C. BOARD LAYOUTS

CONTROLLER P.C. BOARD ASSEMBLY

(Viewed from the solder side)

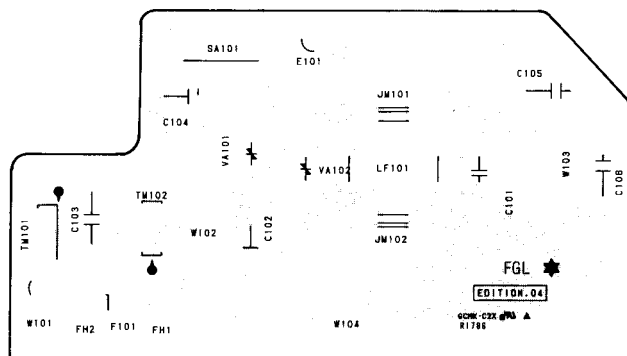
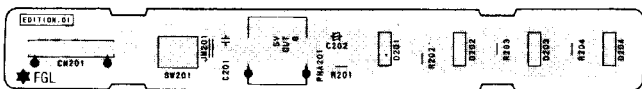


INDICATOR P.C. BOARD ASSEMBLY

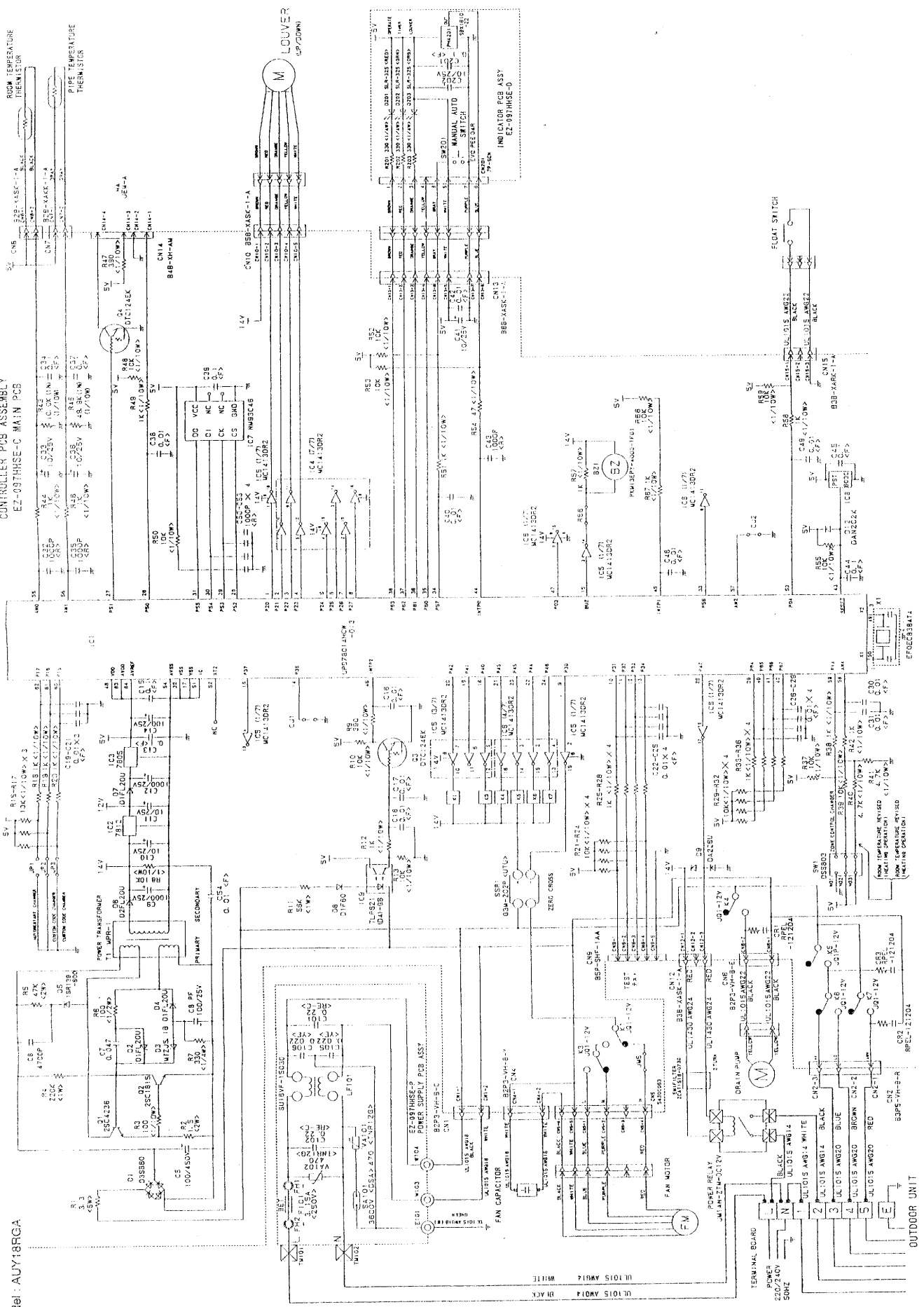
(Viewed from the solder side)

FILTER P.C. BOARD ASSEMBLY

(Viewed from the solder side)

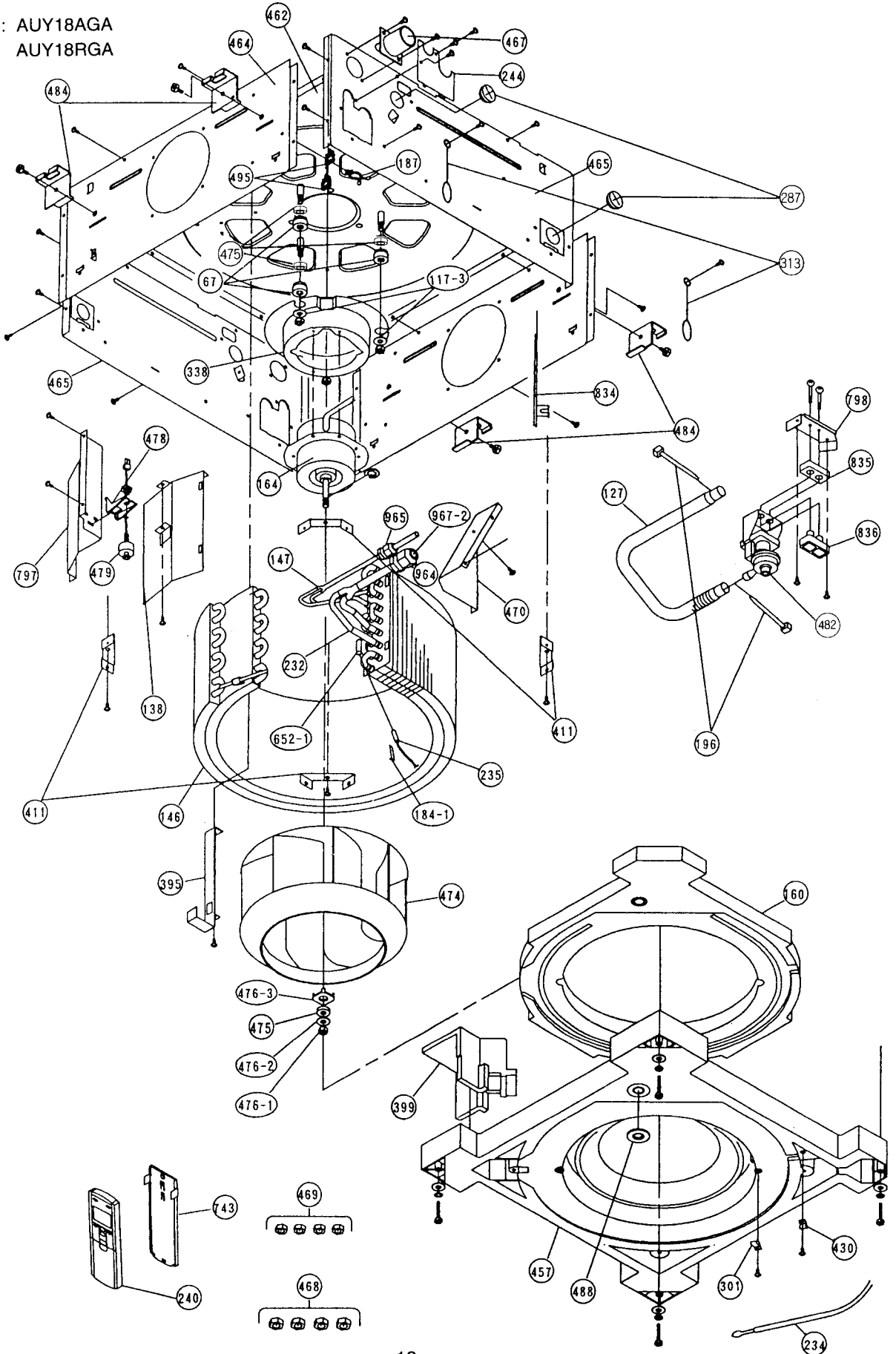


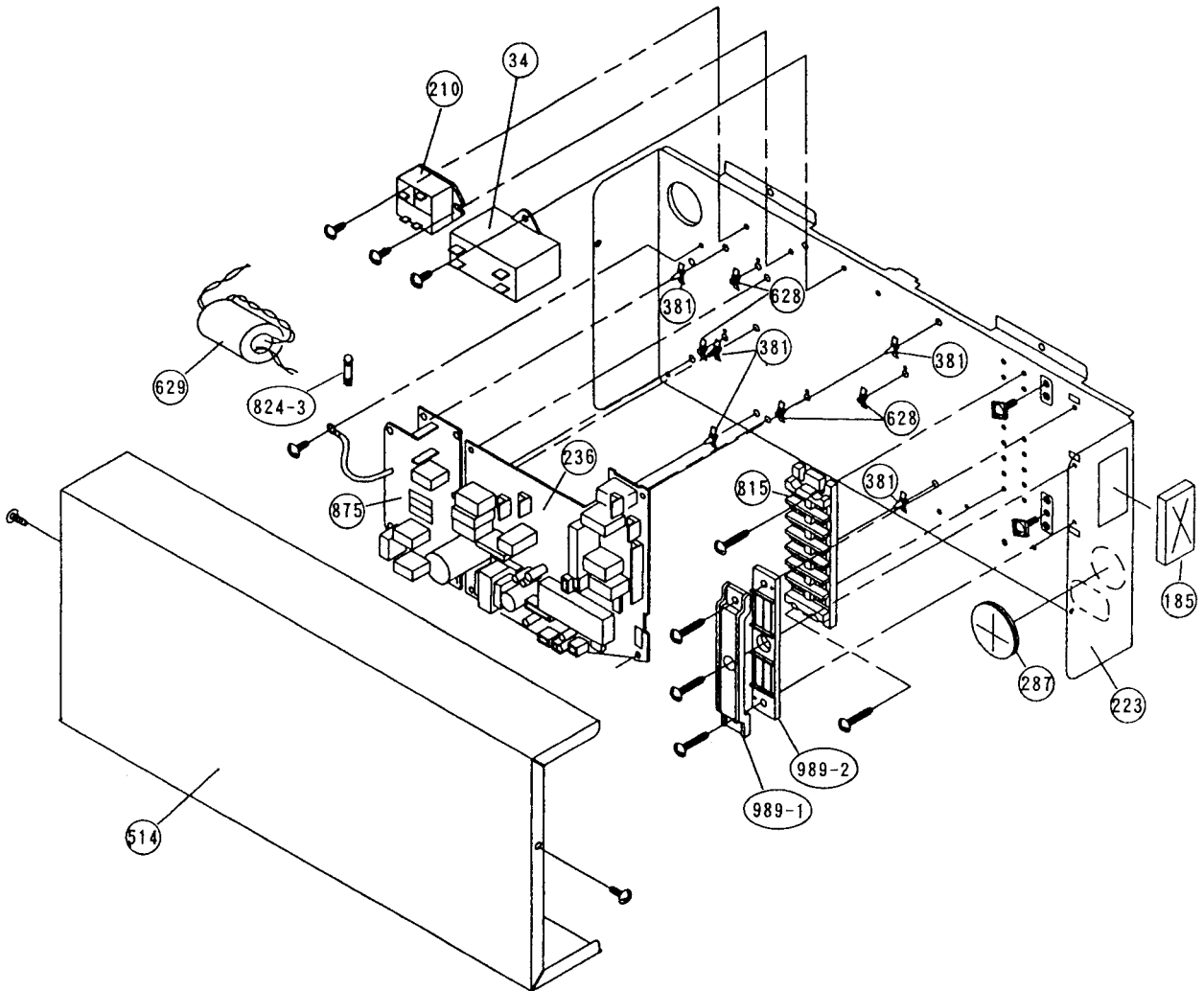
CONTROLLER PCB ASSEMBLY
EZ-097HSE-C MAIN PCB



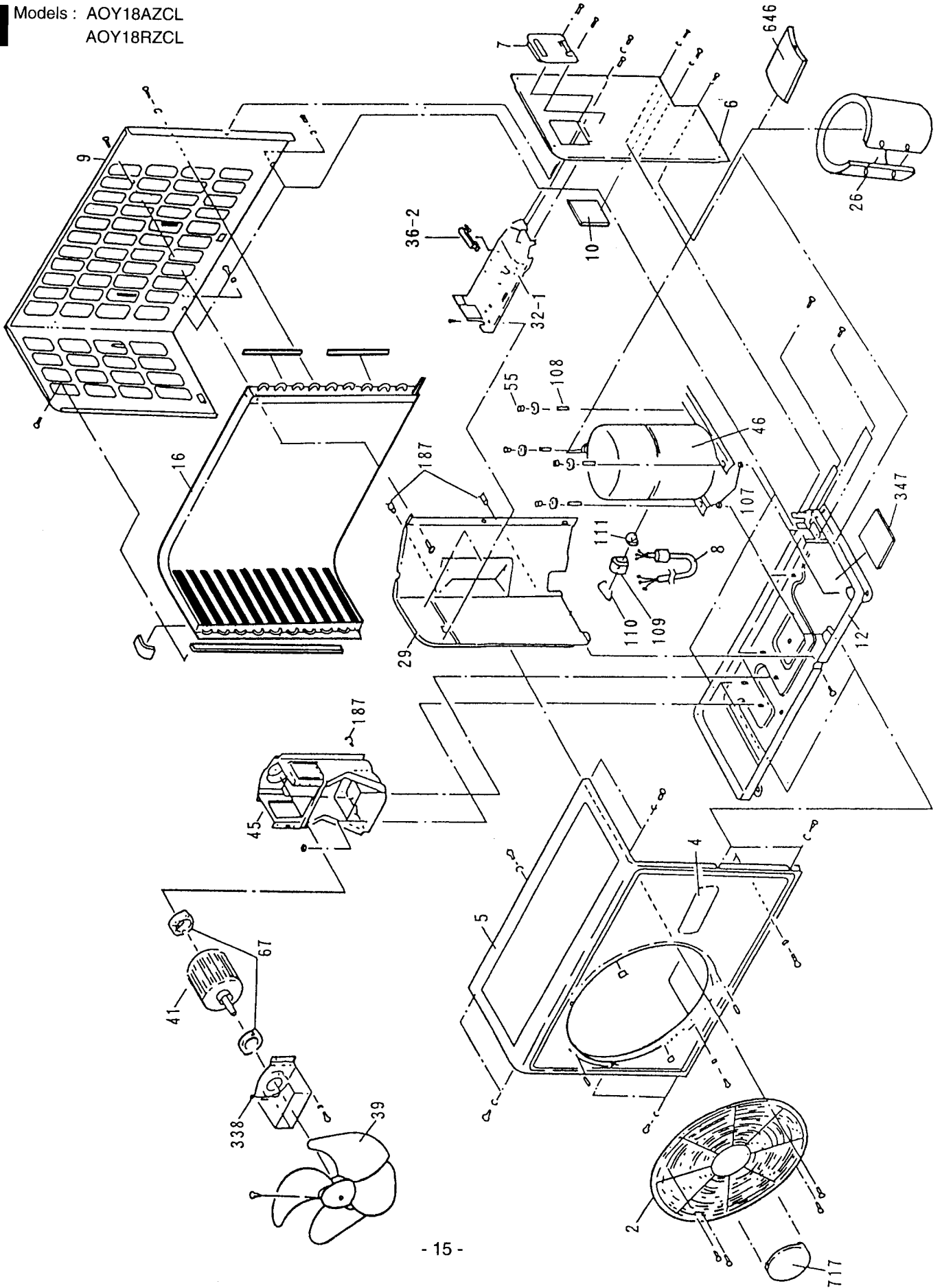
DISASSEMBLY ILLUSTRATION

Models : AUY18AGA
 AUY18RGA

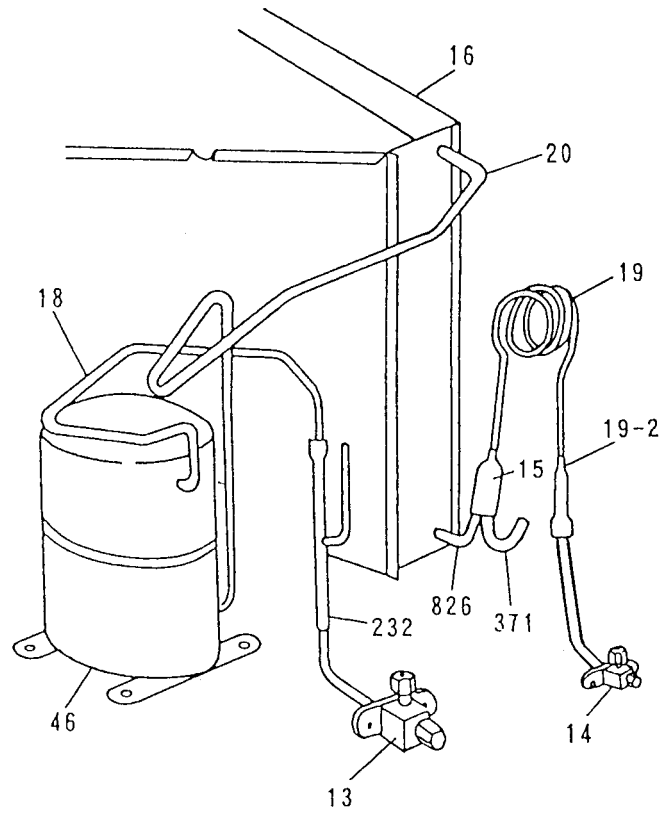




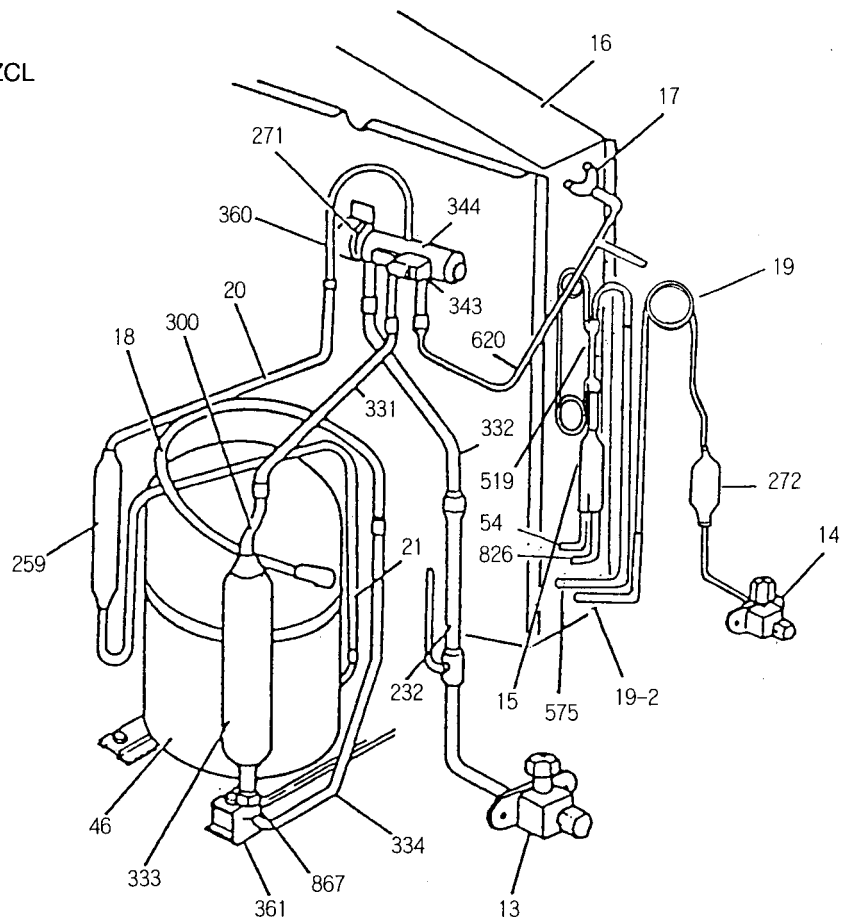
Models : AOY18AZCL
AOY18RZCL



Model : AOY18AZCL

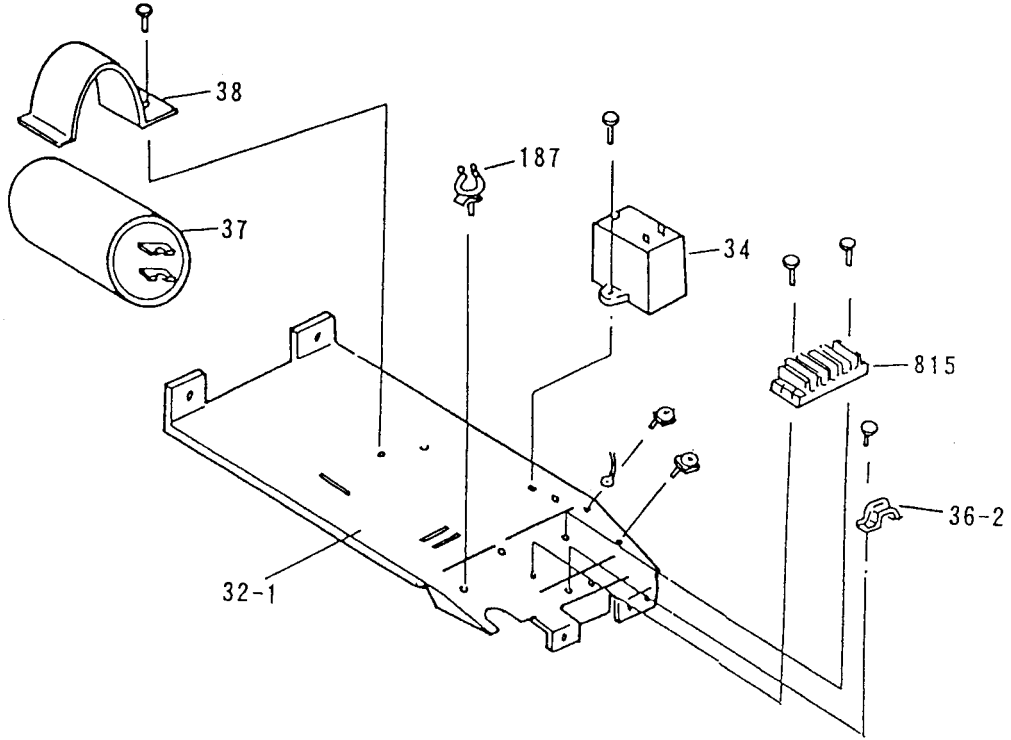


Model : AOY18RZCL



CONTROL UNIT

Models : AOY18AZCL
AOY18RZCL



PARTS LIST

When you order parts, please make a photocopy of this page and fill the number of the parts in the "Order" column.

OUTDOOR UNIT

Ref. No.	Description	Part No.		Order Q' ty	Ref. No.	Description	Part No.		Order Q' ty
		AOY18AZCL	AOY18RZCL				AOY18AZCL	AOY18RZCL	
2	Fan Cover	9350214020	9350214020		55	Special Nut M8 (For Comp.)	313252257701	313252257701	
4	Emblem-Rear "FUJITSU"	9351355005	9351355005		67	Rubber	313659068604	313659068604	
5	Cabinet-A, Painted	9303876015	9303876015		107	Rubber Seat-A (For Comp.)	313093081402	313093081402	
6	Cabinet-C, Painted	9353549013	9353549013		108	Sleeve-A (For Comp.)	313093081706	313093081706	
7	Connector Cover	9358011010	9358011010		109	Terminal Cover (For Comp.)	313202059600	313202059600	
8	Wire Assy (Shield)-D	9350215010	9350215010		110	Lock Wire	313202059706	313202059706	
9	Cabinet-B, Painted	9303874011	9303874011		111	Terminal Packing	313202059807	313202059807	
10	Noise Insulation-E	313791106305	313791106305		187	Clamp No.1219	313361271706	313361271706	
12	Base Assy, Painted	9353452016	9353452016		232	Pipe Assy	9355642002	9355642002	
13	3-Way Valve Assy	9358022016	9358022016		259	Muffler	-----	313755083903	
14	2-Way Valve	9358023013	9358023013		271	4-Way Valve Rubber	-----	313728251908	
15	Dryer	313791082502	9361107007		272	Strainer	-----	313791086401	
16	Condenser Assy	9353455055	9361079007		300	Suction Pipe - C	-----	9350358014	
17	U-Pipe (Y)	-----	313728127102		331	Suction Pipe - D	-----	9350359011	
18	Suction Pipe	9360518002	9351590017		332	Suction Pipe - E	-----	9356450002	
19	Capillary Tube	9355641005	9361078000		333	Accumulator	-----	9350363018	
19-2	Joint Pipe (Capillary)	9355644006	9361070004		334	Suction Pipe - B	-----	9351591014	
20	Discharge Pipe	9360522009	9358635001		338	Motor Fixture	313029297108	313029297108	
21	Discharge Pipe-B	-----	9358634004		343	Solenoid Coil	-----	9359616092	
26	Compressor Cover	9354036000	9354036000		344	4-Way Valve	-----	313943302804	
29	Separate Wall	313986033213	313986033213		347	Noise Insulation-D	313712304109	313712304109	
32-1	Control Box Metal-A	9353595003	9353595003		360	4-Way Valve Band	-----	313986251802	
34	Capacitor (Fan Motor)	9357965024	9357965024		361	Accumulator Support	-----	313986353804	
36-2	Cord Holder Metal	9356362008	9356362008		371	Process Pipe-B	313142082352	-----	
37	Running Capacitor	9357211015	9357211015		519	Check Valve Assy	-----	9361076006	
38	Capacitor Clamp	313791061807	313791061807		575	Condensing Pipe-C	-----	9361069008	
39	Propeller Fan Assy	9300855013	9300855013		620	Inlet Pipe (Cond.) Assy	-----	9361072008	
41	Fan Motor Assy-Out	9351333096	9351333096		646	Compressor Cover-B	313986355101	313986355101	
45	Motor Fixing Table Assy	313029311100	313029311100		717	Center Plate	9350216017	9350216017	
46	Compressor Assy	9360509055	9360509055		815	Terminal-5P	9356497021	9356497021	
54	Condensing Pipe	-----	9300557016		826	Condensing Pipe-B	9353601001	9300558013	
					867	Accumulator HLD. Rubber	-----	9354022027	

When you order parts, please make a photocopy of this page and fill the number of the parts in the "Order" column.

INDOOR UNIT

Ref. No.	Description	Part No.		Order Q'ty	Ref. No.	Description	Part No.		Order Q'ty
		AUY18AGA	AUY18RGA				AUY18AGA	AUY18RGA	
34	Capacitor (Fan Motor)	9357965017	9357965017		467	Drain Port	313005415658	313005415658	
67	Rubber	9359657002	9359657002		468	Special Nut-A (Large)	313005446653	313005446653	
117-3	Special Washer M6	313306391007	313306391007		469	Special Nut-B (Small)	313005446759	313005446759	
127	Drain Hose	9359659013	9359659013		470	Separate Wall-B	9359648000	9359648000	
138	Separate Wall-A	9359647003	9359647003		474	Turbo Fan	9359658009	9359658009	
146	Evaporator Assy	9360640017	9360640017		475	Turbo Fan Rubber	313005445054	313005445054	
147	Inlet Pipe (Eva.) Assy	9360010018	9360010018		476-1	Special Nut-M8	313005360755	313005360755	
160	Drain Pan	9359651000	9359651000		476-2	Special Washer	301801185049	301801185049	
164	Fan Motor Assy-IN	9360877017	9360877017		476-3	Special Washer	9359954002	9359954002	
184-1	Thermo. Spring-A	313728262708	313728262708		478	Sensor M. Bracket	9359654001	9359654001	
185	Rubber Bushing	313005066051	313005066051		479	Float Switch	313005416154	313005416154	
187	Clamp No. 1219	313361271706	313361271706		482	Pump Unit	9359974000	9359974000	
196	Clamp SKB-150	313035356905	313035356905		484	Hanger Metal	9359644002	9359644002	
210	Main Relay	9356781007	9356781007		488	Drain Pan Plug	9359653004	9359653004	
223	Control Box	9359661016	9359661016		495	Clamp No. 2U46	9352715006	9352715006	
232	Outlet Pipe (Eva.) Assy	9360011015	9360011015		514	Control Box Cover	9359662006	9359662006	
234	Thermistor Assy	9701946037	9701946037		628	Locking Spacer-B	313005446558	313005446558	
235	Thermistor Assy-Pipe	9701947027	9701947027		629	EMI Filter	0400056133	0400056133	
236	Controller PCB Assy	9701941155	9701941193		652-1	Therm. Holder Pipe	313806262805	313806262805	
240	Remote Control Unit	9359913047	9359913030		743	Remote Control Unit Holder Case	9359955016	9359955016	
244	Pipe Cover	9359646006	9359646006		797	Separate Wall-C	9359649007	9359649007	
287	Cap (Power)	9352173011	9352173011		798	Pump Hook Bracket	9359650003	9359650003	
301	Clamp NK-2N	313985355201	313985355201		815	Terminal-7P	9358660102	9358660102	
313	Hooking Wire	9359983002	9359983002		824-3	Fuse	0600222512	0600222512	
338	Motor Fixture	9359656005	9359656005		834	Wire Cover	9359878001	9359878001	
381	Locking Spacer	313209391506	313209391506		835	Cushion-A (For Pump)	9352211003	9352211003	
395	Supporter (Eva.)	9359669005	9359669005		836	Cushion-B (For Pump)	9356084016	9356084016	
399	Air Duct	9359660002	9359660002		875	Filter PCB Assy	9702326012	9702326012	
411	Supporter-A	9359655008	9359655008		964	Flare Nut-A	313996239804	313996239804	
430	Clamp NK-7N	313095365602	313095365602		965	Flare Nut-B	9351062019	9351062019	
457	Drain Pan Support	9359652007	9359652007		967-2	Bonnet-B	9301858006	9301858006	
462	Top Cover Plate	9359642015	9359642015		989-1	Cord Clamp-A	9359822011	9359822011	
464	Body-A	9359643005	9359643005		989-2	Cord Clamp-B	9359823018	9359823018	
465	Body-B	9359645009	9359645009						

GRILLE ASSY (UTG-UDYA-W)

Ref. No.	Description	Part No.	Ord. Q'ty	Ref. No.	Description	Part No.	Ord. Q'ty
93	Filter	9359632009		694	Cam Gear	9359628002	
165	Motor Cover	9359623014		700	Panel	9359619017	
196	Clamp SKB-150	313035356905		705	Louver	9359624011	
226	Motor Gear	9359629009		710	Intake Grille	9359631019	
385	Indicator PCB Assy	9702224011		711-1	Filter Clamp-A	9359634003	
392	Cover-A	9359622017		711-2	Filter Clamp-B	9359635000	
416	Insulation (Panel)-A	9359620006		758	Decoration Plate-A	9360039019	
417	Insulation (Panel)-B	9359621003		763	Receiver Cover	9359630005	
690	Joint-A	9359626008		776	Grille Stopper	9359633013	
691	Joint-B	9359627005		777	Grille Hook	9359761006	
692	Joint Shaft	9359625001		876-2	Step Motor-V	9360307019	

When you order parts, please make a photocopy of this page and fill the number of the parts in the "Order" column.

CONTROLLER PCB ASSEMBLY (Ref. No.236)

() :Reverse cycle model

Ref. No.	Description	Part No.	Ord. Q'ty	Ref. No.	Description	Part No.	Ord. Q'ty
IC1	IC μ PD78014CHW-013	9702426026		CJ1,2	Res. 0 Ω	0200212012	
IC2	IC NJM7812FA	0100462104		C5	Cap. Elec. 450V 100 μ F	0200212425	
IC3	IC MCT7805CT	0100649215		C6	Cap. Plastic 4700pF	0300269091	
IC4-6	Xstr μ PA2003GR	0100028041		C7	Cap. Plastic 50V 0.047 μ F	0300169339	
IC7	IC NM93C46M8-X	0101622026		C8	Cap. Elec. 25V 100 μ F	0301197560	
IC8	IC PST600CMTR	0101461120		C9	Cap. Elec. 25V 1000 μ F	0301196495	
IC9	Photocoupler TLP621(D4)-GB	0000117074		C10,11,33,36,41	Cap. Elec. 25V 10 μ F	0301192312	
Q1	Xstr 2SC4236	0000164047		C12	Cap. Elec. 25V 1000 μ F	0301158264	
Q2	Xstr 2SC1815	0000020111		C13,15,34,37,39,44,45	Cap. Ceramic 50V 0.1 μ F	0300311752	
Q3,4	Xstr DTC124EK	0000517034		C14	Cap. Elec. 25V 100 μ F	0301192350	
D1	Diode D3SB60	0000689045		C16-31,38,40,42,46,49	Cap. Ceramic 50V 0.01 μ F	0300311738	
D2,4,7	Diode D1FL20U	0000746519		C32,35,43,50-53	Cap. Ceramic 50V 1000pF	0300308509	
D3	Diode MTZJ5.1B	0000852166		C54	Cap. Ceramic 50V 0.01 μ F	0300727539	
D5	Diode 1SR139-600	0000353120		K1,3,4	Relay JQ1-12V	9701316014	
D6	Diode D2FL20U	0000906500		(K5)	Relay JQ1P-12V	9701794010	
D8	Diode D1F60	0000208024		(K6,7)	Relay JQ1-12V	9701316014	
D9	Diode DA226U	0000625036		SSR1	Relay G3M-202P-UTU	9701829019	
D12	Diode DAN202K	0000684019		SW1	Switch, Slide DSS803	9701392018	
R1	Res.Cement 5W 3.3 Ω \pm 10%	0200153148		T1	Switching Transformer MPR-1	9701976010	
R2	Res.Metal 2W 1.5 Ω \pm 5%	0201107119		X1	Ceramic Resonator EFOEC8384T4	9701261017	
R3	Res. 1/10W 100 Ω \pm 5%	0200212500		BZ1	Buzzer PKM13EPY-4000-TF01	9701298013	
R4	Res.Carbon 1W 220 Ω \pm 5%	0200111353		CR1	Network RPEL-121204	9701125012	
R5	Res.Metal 2W 47k Ω \pm 5%	0201107652		(CR2,3)	Network RPEL-121204	9701125012	
R6	Res. 1/2W 100 Ω \pm 5%	0200731506		CN1	Plug, PCB B2P3-VH-B-C	0500011773	
R7	Res. 1/4W 330 Ω \pm 5%	0200708621		(CN2)	Plug, PCB B3P5-VH-B-R	0500011803	
R8,10,13,15-17,21-24,29-32,37,39,48,50,52,53,55,59,68	Res. 1/10W 390 Ω \pm 5%	0200212647		CN4	Plug, PCB B2P3-VH-B-Y	0500011827	
R9,47	Res.Metal 1W 56k Ω \pm 5%	0201106662		CN5	Plug, PCB 5430C063	0500957026	
R11	Res. 1/10W 1k Ω \pm 5%	0200212746		CN6	Plug, PCB B2P3-VH-B-E	0500011759	
R12,18-20,25-28,33-36,38,42,44,46,49,51,56-58,67	Res. 1/10W 4.7k Ω \pm 5%	0200212906		CN7	Plug, PCB B2B-XAKK-1-A	0501045227	
R40,41	Res. 1/10W 10k Ω \pm 1%	0200279497		CN8	Plug, PCB B2B-XASK-1-A	0501045012	
R43	Res. 1/10W 49.9k Ω \pm 1%	0200279824		CN9	Plug, PCB B2P-SHF-1AA	0500006069	
R45	Res. 1/10W 47 Ω \pm 5%	0200212425		CN10	Plug, PCB B5B-XASK-1-A	0501045043	
R54				CN12	Plug, PCB B3B-XASK-1-A	0501045029	
				CN13	Plug, PCB B8B-XH-AM	0501045074	
				CN14	Plug, PCB B4B-XH-AM	0500005314	
				CN15	Plug, PCB B3B-XARK-1-A	0501045319	




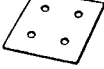
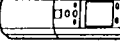
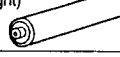
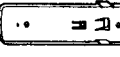

INDICATOR PCB ASSEMBLY (Ref. No.385)

Ref. No.	Description	Part No.	Ord. Q'ty	Ref. No.	Description	Part No.	Ord. Q'ty
D201	Diode SLR-325VC RED	0000813259		PHA201	Remote Control Amplifier SBX1610-22	0100417050	
D202	Diode SLR-235MC GRN	0000813242		SW201	Switch, EVQ-PAG-04K	9700450016	
D203	Diode SLR-325DC ORG	0000813235		CN201	Wire w/Connector L=150	9702266011	
C201	Cap. Ceramic 0.1 μ F	0300988251					
C202	Cap. Elec. 25V 10 μ F	0300004258					
R201-203	Res. Cardon 1/4W 330 Ω \pm 5%	0201038659					





FILTER PCB ASSEMBLY (Ref. No.875)

Ref. No.	Description	Part No.	Ord. Q'ty	Ref. No.	Description	Part No.	Ord. Q'ty
C101,102	Cap. Plastic 0.22 μ F	0300304099		LF101	EMI Filter SU16VF-15030	0400134114	
C105,106	Cap. Plastic 0.022 μ F	0301052098		F101	Fuse BET3. 15A-250V	0600222512	
SA101	Arrester DSA-362MA-05	0600168032		FH1,2	Fuse Holder PFC5000-0502	0500158072	
VA101,102	Varistor TNR12G471K	0000038010		E101	Wire w/Terminal GRN L=100	9702313012	
TM101,102	Plug Contact 86028	0500536016		W103,104	Wire #18 2P	9702288013	




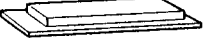
INDOOR UNIT ACCESSORIES

Name and shape	Application	AUY18AGA	AUY18RGA
Coupler heat insulation 	For indoor side pipe joint	9350716029	9350716029
		9352766015	9352766015
Special nut A (large flange) 	For installing indoor unit	313005446653	313005446653
Special nut B (small flange) 	For installing indoor unit	313005446759	313005446759
Template 	For ceiling hole cutting	9360256003	9360256003
Remote control unit 	Use for air conditioner operation	9359913047	9359913030
Battery (penlight) 	For remote control unit	313187358304	313187358304
Remote control unit holder 	For mounting the remote control unit	9359955016	9359955016
Trapping screw ($\phi 3 \times 12$) 	For remote control unit holder installation	301141533125	301141533125

OUTDOOR UNIT ACCESSORIES

Name and shape	Application	AOY18AZCL	AOY18RZCL
Hexagon wrench 	For air purge	9351228019	9351228019
Pipe (drain) 	For outdoor unit drain piping work (Heat & Cool model only)	—————	313728031005
Flexible tube 	For outdoor unit drain piping work (Heat & Cool model only)	—————	313013042915
Cap (drain) 	For outdoor unit drain piping work (Heat & Cool model only)	—————	313166024302

GRILLE ACCESSORIES

Name and shape	Application	Part No.
Bolt 	For mounting grille	9360120021
Washer 	For mounting grille	301801155020
Spring washer 	For mounting grille	301821150218
Blower cover insulation 	For discharged air	9360047007



FUJITSU
FUJITSU GENERAL LIMITED