

**SPLIT TYPE AIR  
CONDITIONER (50Hz)  
DUCT type**

**SERVICE  
MANUAL**

Models	Indoor unit	Outdoor unit
	ARY60ALA3	AOY60ABA3L
	ARY60RLA3	AOY60RBA3L

**C O N T E N T S**

SPECIFICATIONS .....	1
OUTLINE AND DIMENSIONS .....	2
CIRCUIT DIAGRAM .....	4
REMOTE CONTROL UNIT CIRCUIT DIAGRAM .....	6
INDOOR PRINTED CIRCUIT BOARD CIRCUIT DIAGRAM .....	8
OUTDOOR PRINTED CIRCUIT BOARD CIRCUIT DIAGRAM ...	10
P.C. BOARD LAYOUTS .....	11
REFRIGERANT SYSTEM DIAGRAM .....	12
DISASSEMBLY ILLUSTRATION .....	13
PARTS LIST .....	22

# S P E C I F I C A T I O N S

INDOOR UNIT	ARY60ALA3	ARY60RLA3
OUTDOOR UNIT	A0Y60ABA3L	A0Y60RBA3L
COOLING CAPACITY (kW)	16.4 - 17.0	16.4 - 17.0
HEATING CAPACITY (kW)	—	17.0 - 17.6

## ELECTRICAL SPECIFICATIONS

POWER SUPPLY (V)	380 - 415	
FREQUENCY (Hz)	50	
RUNNING CURRENT (A)	COOLING	9.8 - 9.8
	HEATING	—
INPUT (kW)	COOLING	5.8 - 5.9
	HEATING	—
EER (kW/kW)	COOLING	2.83 - 2.88
	HEATING	—
MOISTURE REMOVAL (ℓ/hr)	6.5	
AIR CIRCULATION-Hi (m <sup>3</sup> /hr)	3.000	

## COMPRESSOR

TYPE	Hermetic type, 2 pole, 3 - phase, Induction motor
CODE	H26A72QDBEA

## FAN MOTOR

	ARY60ALA3	ARY60RLA3	A0Y60ABA3L	A0Y60RBA3L
TYPE	MFA-60ETM		MFB-362F	
POWER SUPPLY (V)	380 - 415		380 - 415	
HI-SPEED (r.p.m.)	1,150		820	
MED-SPEED (r.p.m.)	1,075		—	
LO-SPEED (r.p.m.)	1,000		—	

## DIMENSIONS

HEIGHT (mm)	400	1,355
WIDTH (mm)	1,250	940
DEPTH (mm)	800	370

## WEIGHT

GROSS WEIGHT (kg)	90	136	144
NET WEIGHT (kg)	75	121	129

## REFRIGERANT CHARGING

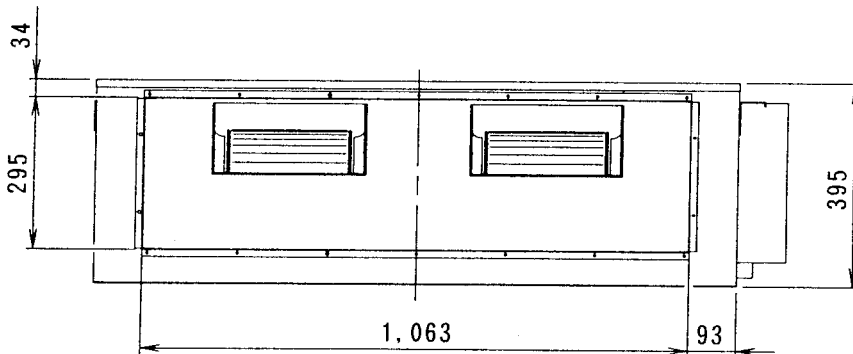
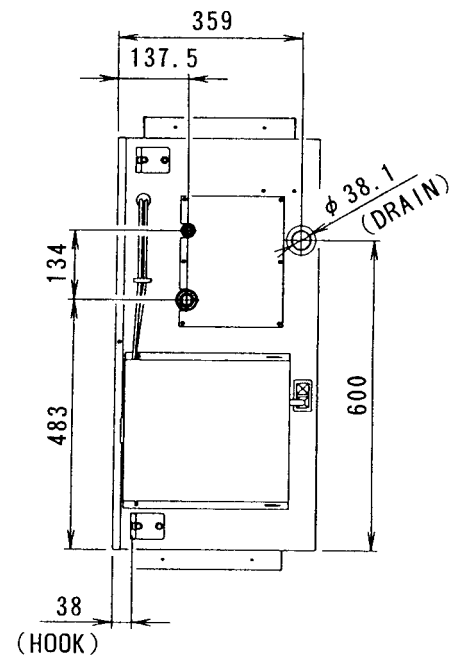
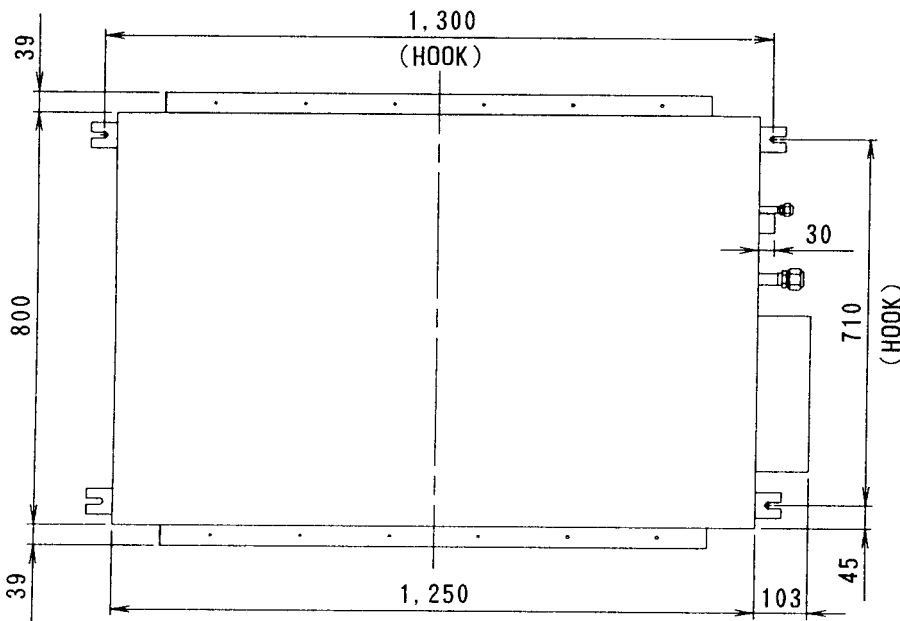
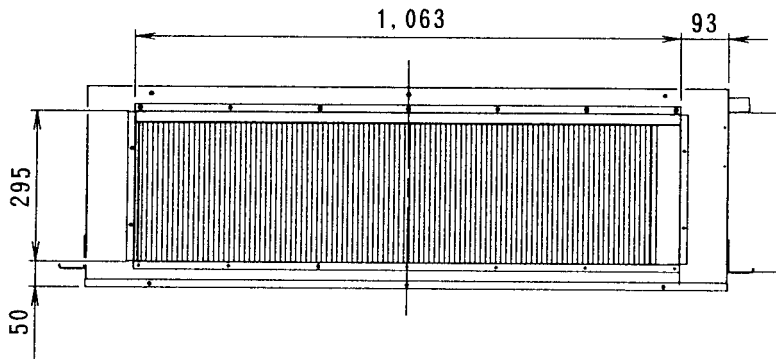
PIPE LENGTH	20 m	30 m	40 m	50 m
FULL CHARGE AMOUNT	4,800g	5,400g	6,000g	6,600g

Note : • Between 20 m and 50 m, when using a connection pipe other than that in the table, charge additional refrigerant with 60 g/l m as the criteria.  
 • The above list shows values at the external static pressure of 20 mm Aq (196 Pa).

# O U T L I N E   A N D   D I M E N S I O N S

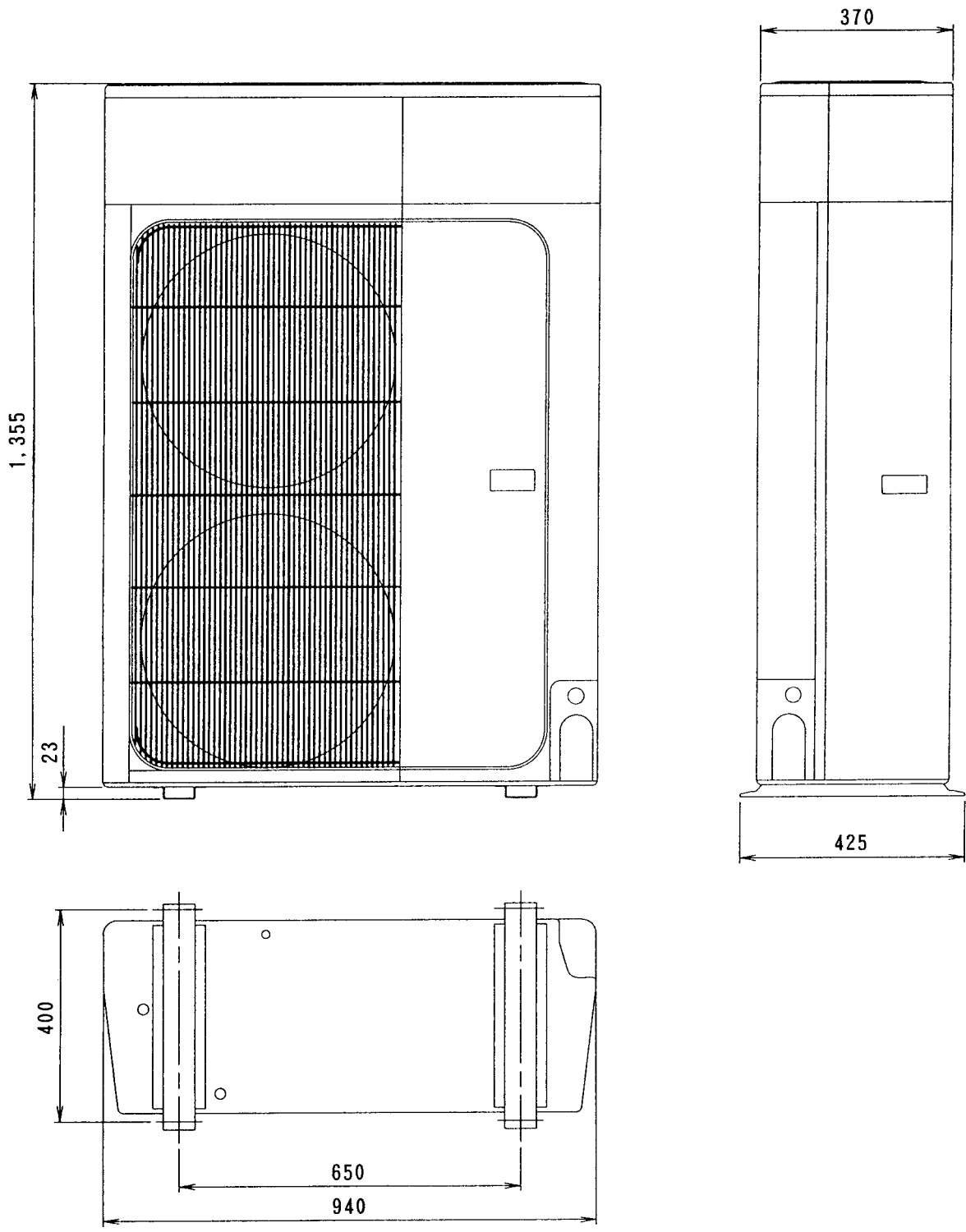
Models : ARY60ALA3  
ARY60RLA3

(Unit : mm)



Models : ADY60ABA3L  
ADY60RBA3L

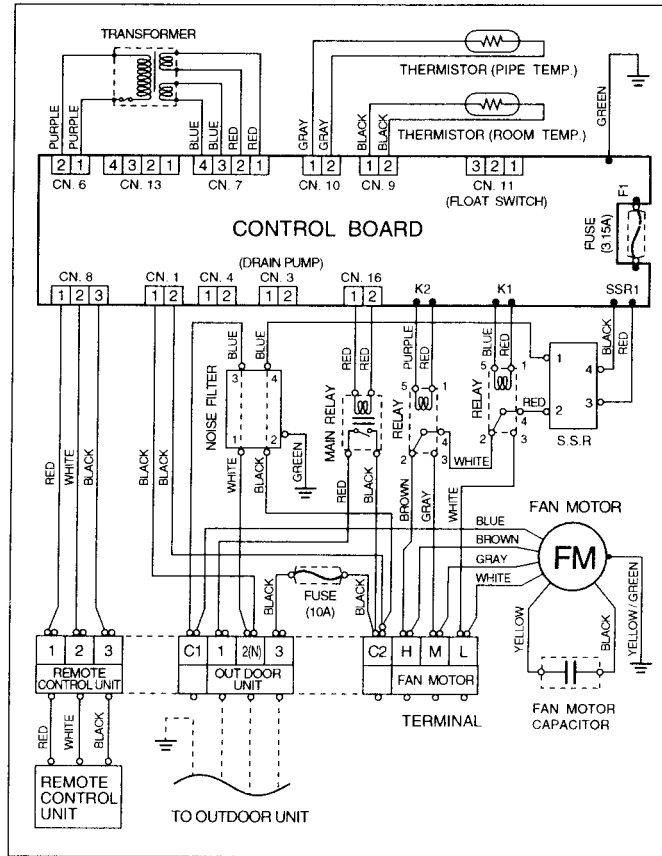
(Unit : mm)



# C I R C U I T   D I A G R A M

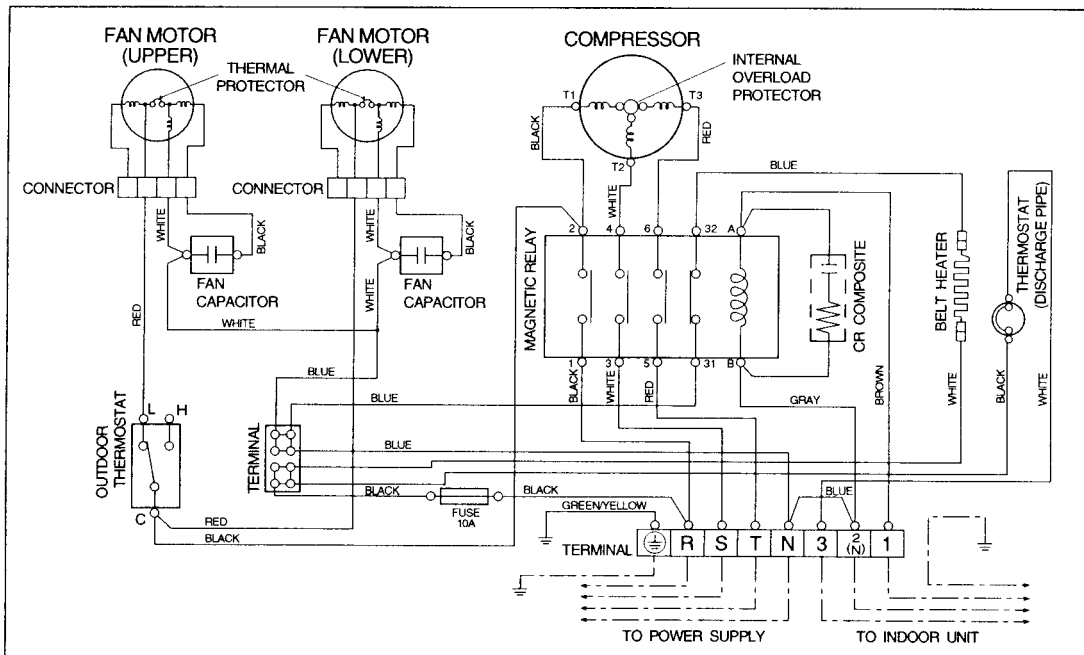
Models : ARY60ALA3/AOY60ABA3L

## INDOOR UNIT



<b>FAN MOTOR CAPACITOR</b>	<b>15 μF</b>
----------------------------	--------------

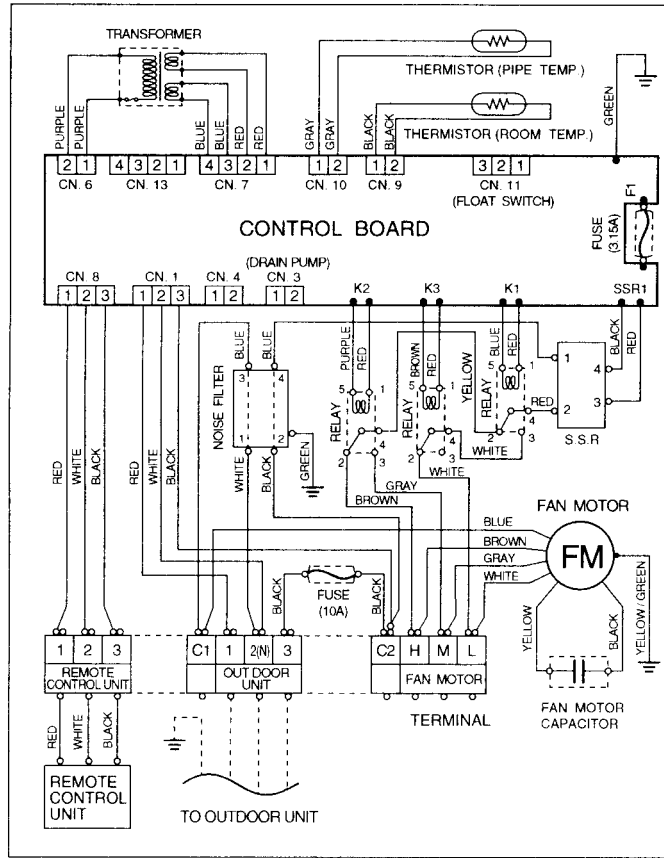
## OUTDOOR UNIT



<b>FAN MOTOR CAPACITOR</b>	<b>4 μF</b>
----------------------------	-------------

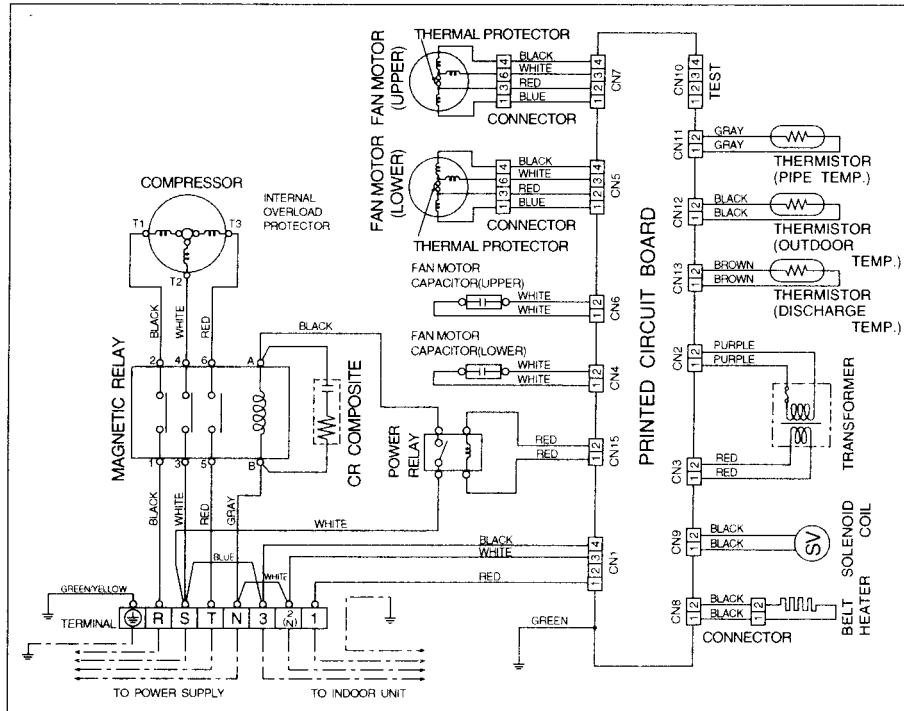
Models : ARY60RLA3/AOY60RBA3L

INDOOR UNIT



FAN MOTOR CAPACITOR 15  $\mu$ F

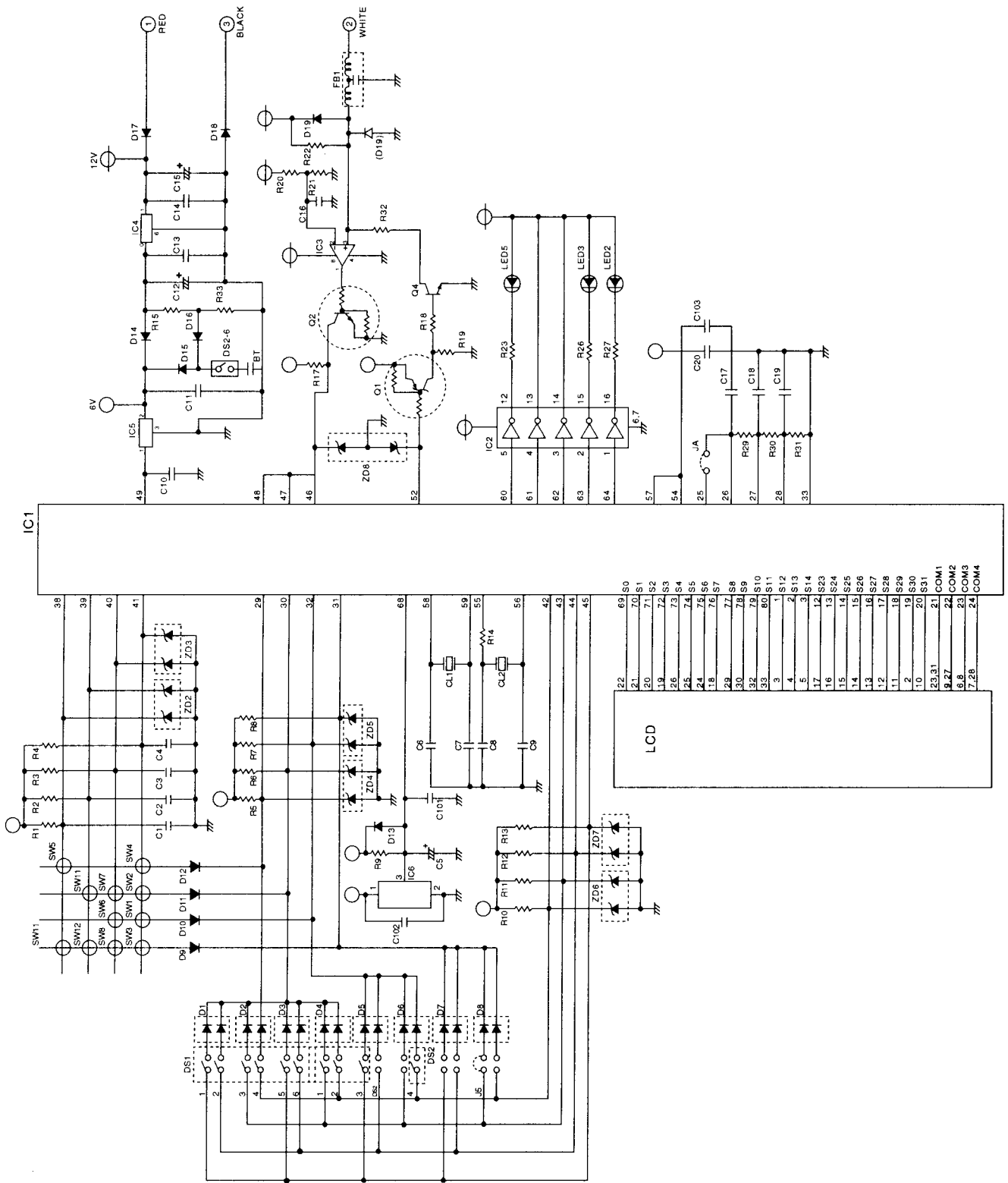
OUTDOOR UNIT



FAN MOTOR CAPACITOR 4  $\mu$ F

# REMOTE CONTROL UNIT CIRCUIT DIAGRAM

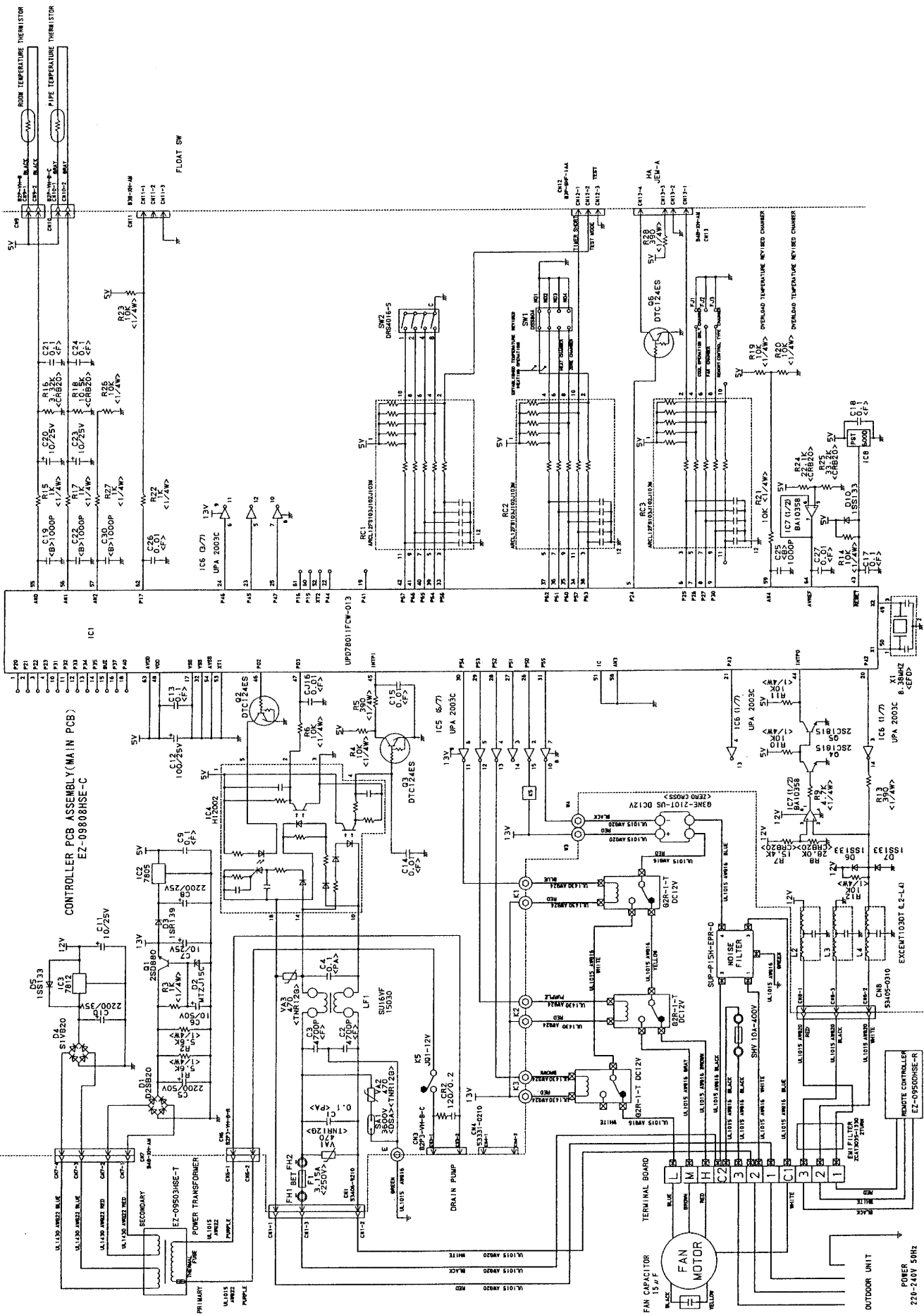
Model : ARY60ALA3





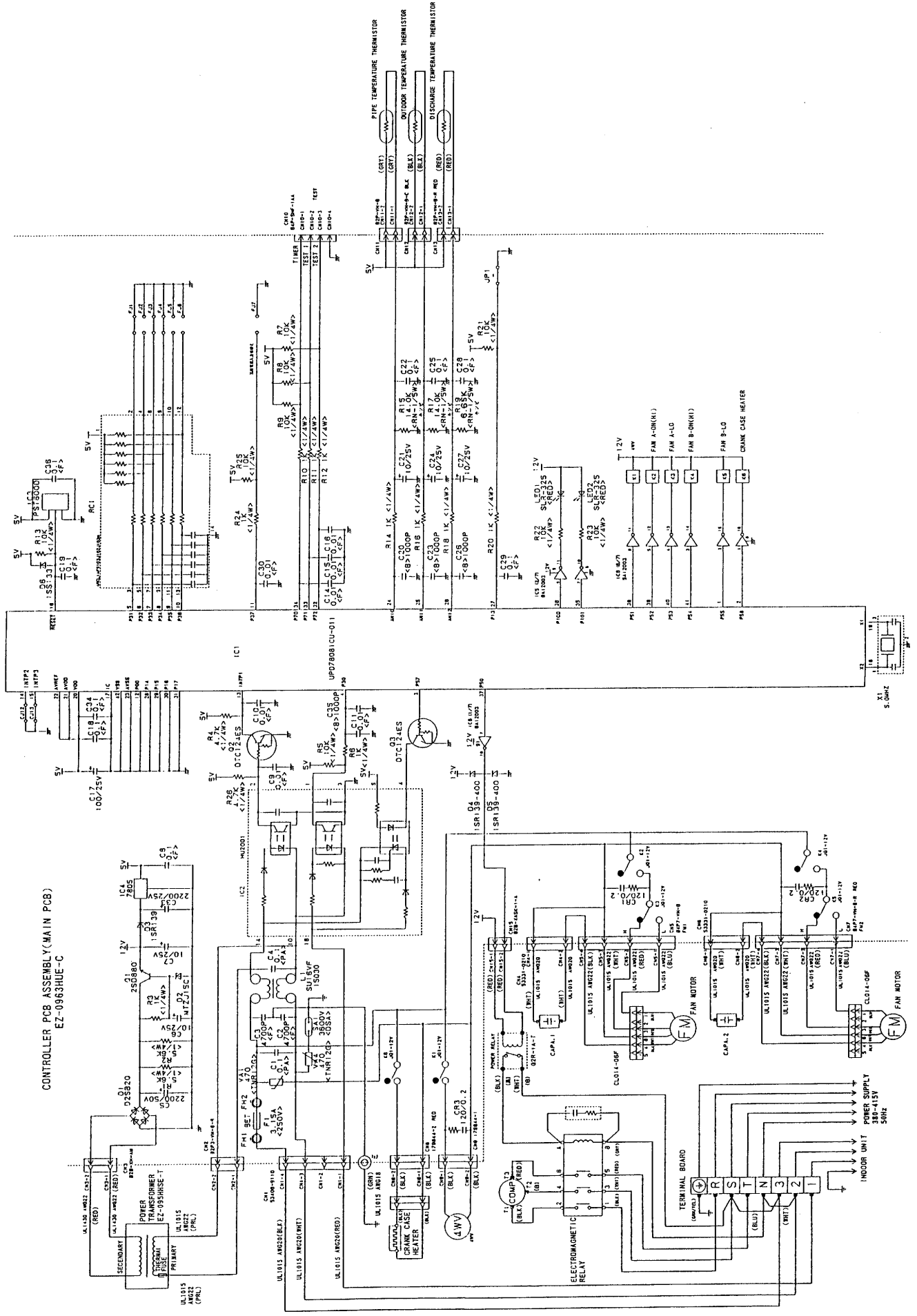


Model : ARY60RLA3



# OUTDOOR PRINTED CIRCUIT BOARD

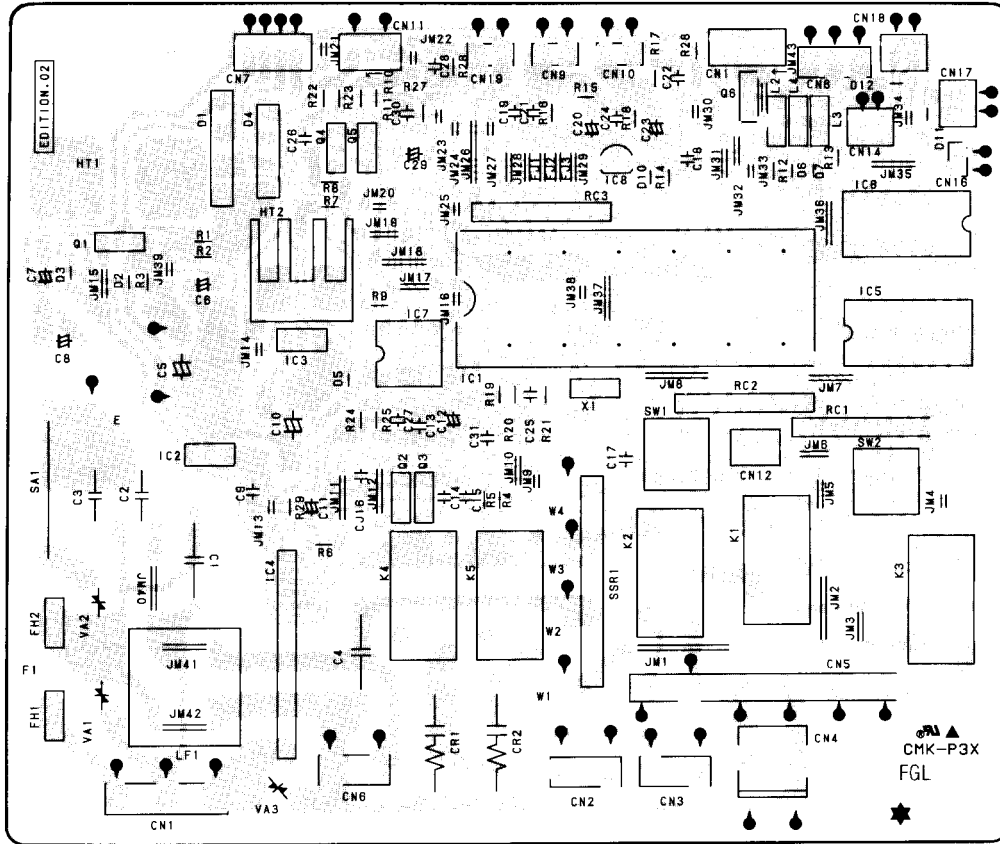
Model : A0Y60RBA3L



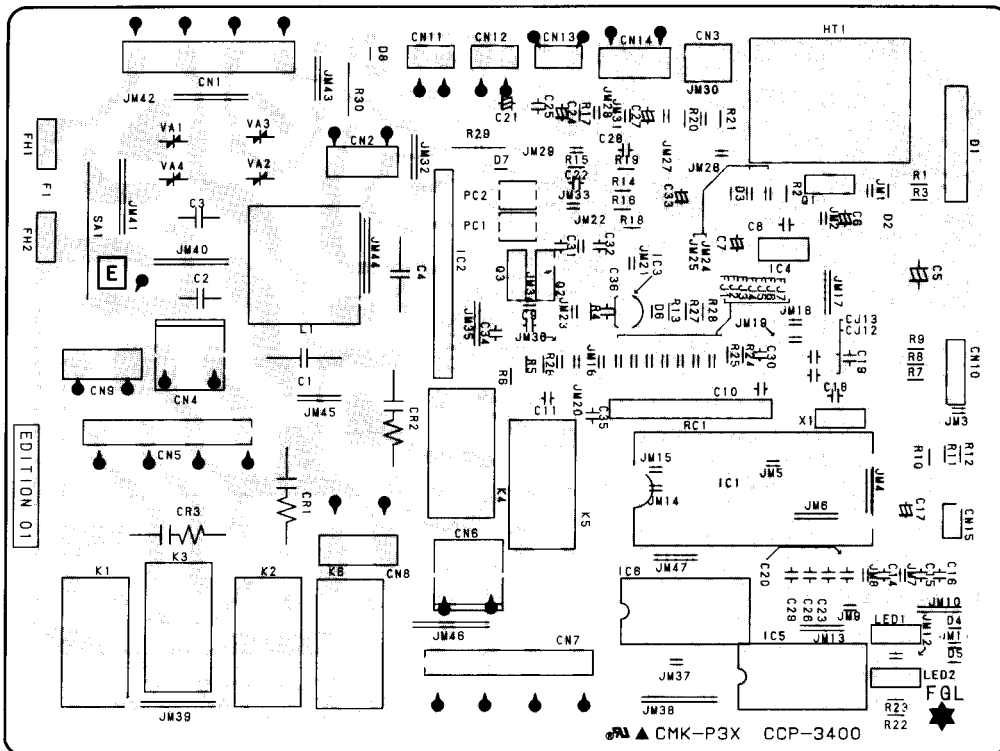
# P. C. BOARD LAYOUTS

## INDOOR UNIT

(Viewed from the solder side)

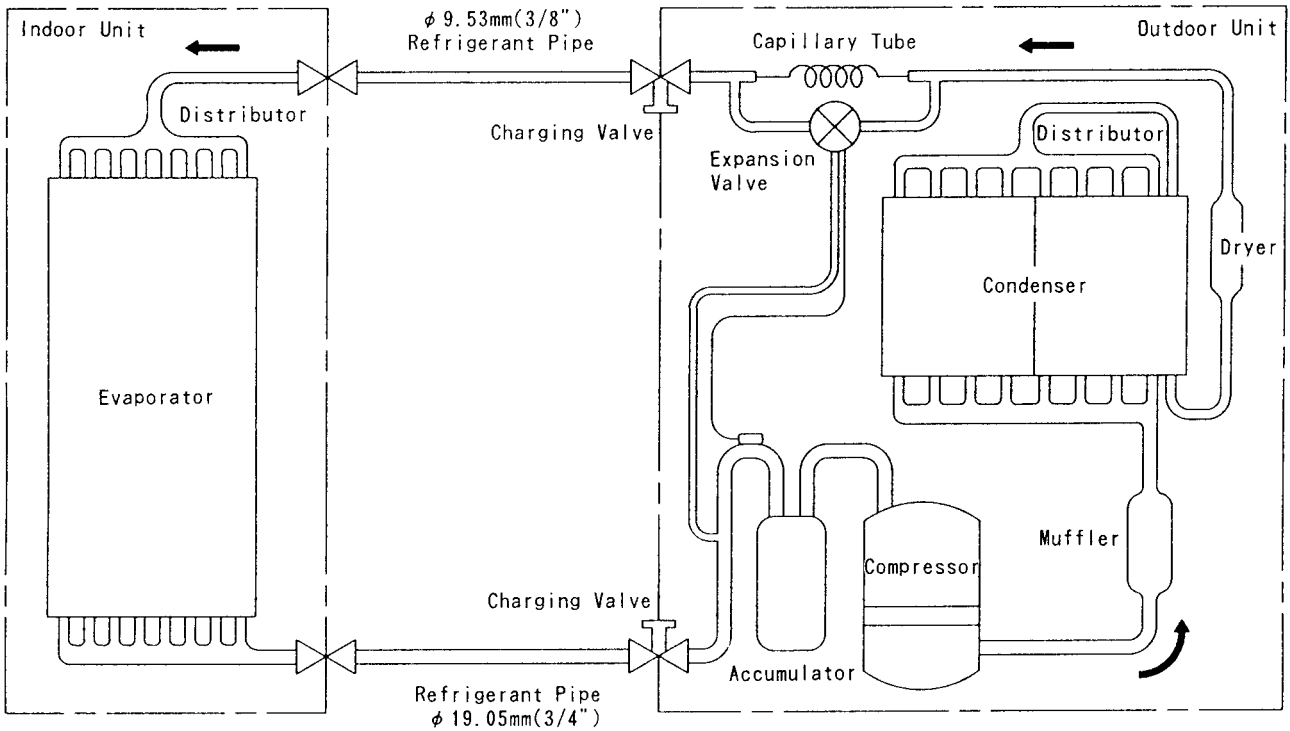


## OUTDOOR UNIT

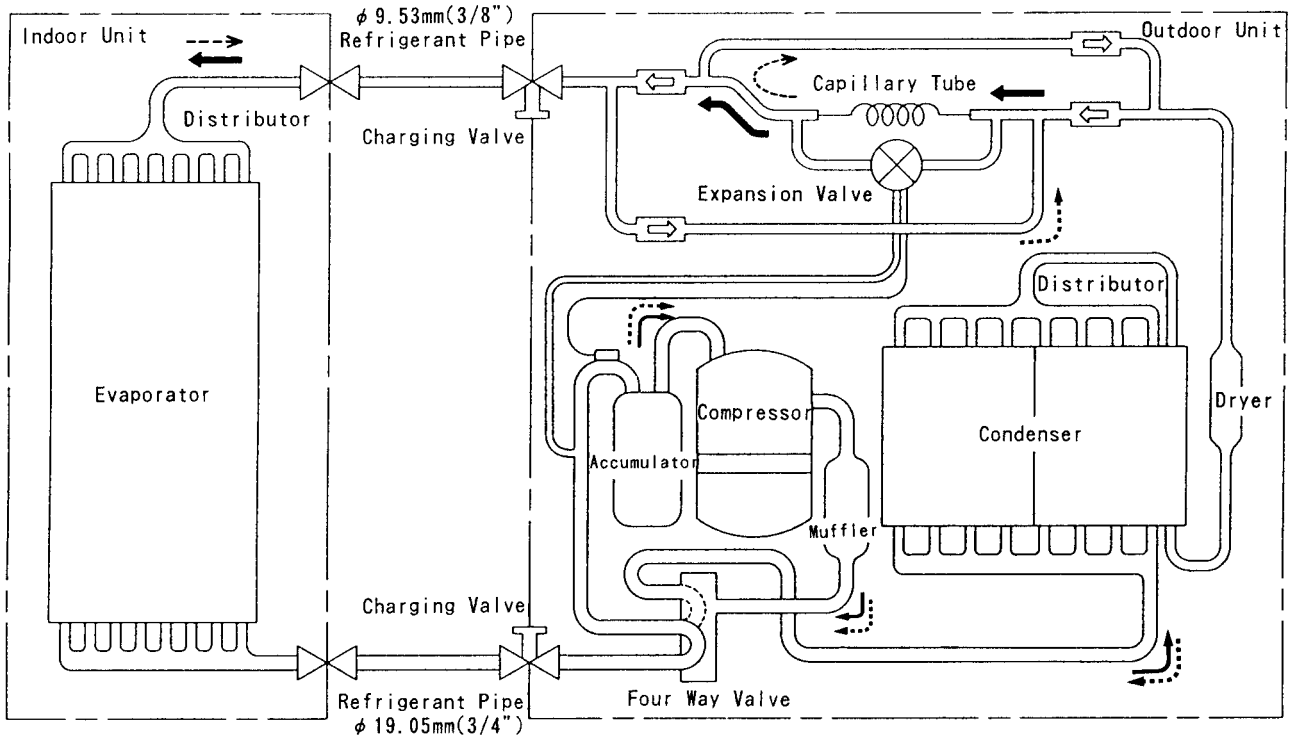





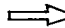
# REFRIGERANT SYSTEM DIAGRAM

Models : ARY60ALA3/AOY60ABA3L



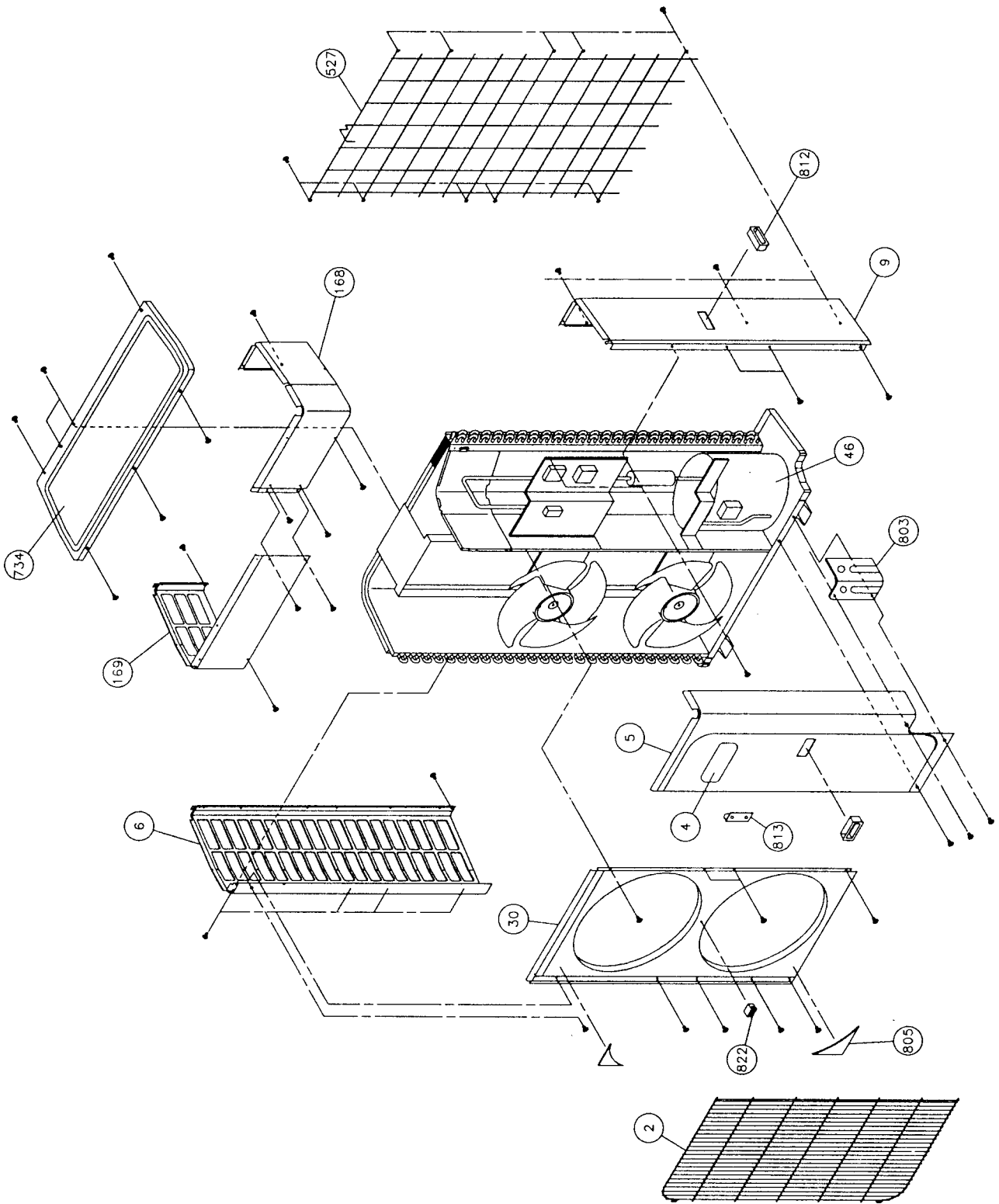
Models : ARY60RLA3/AOY60RBA3L



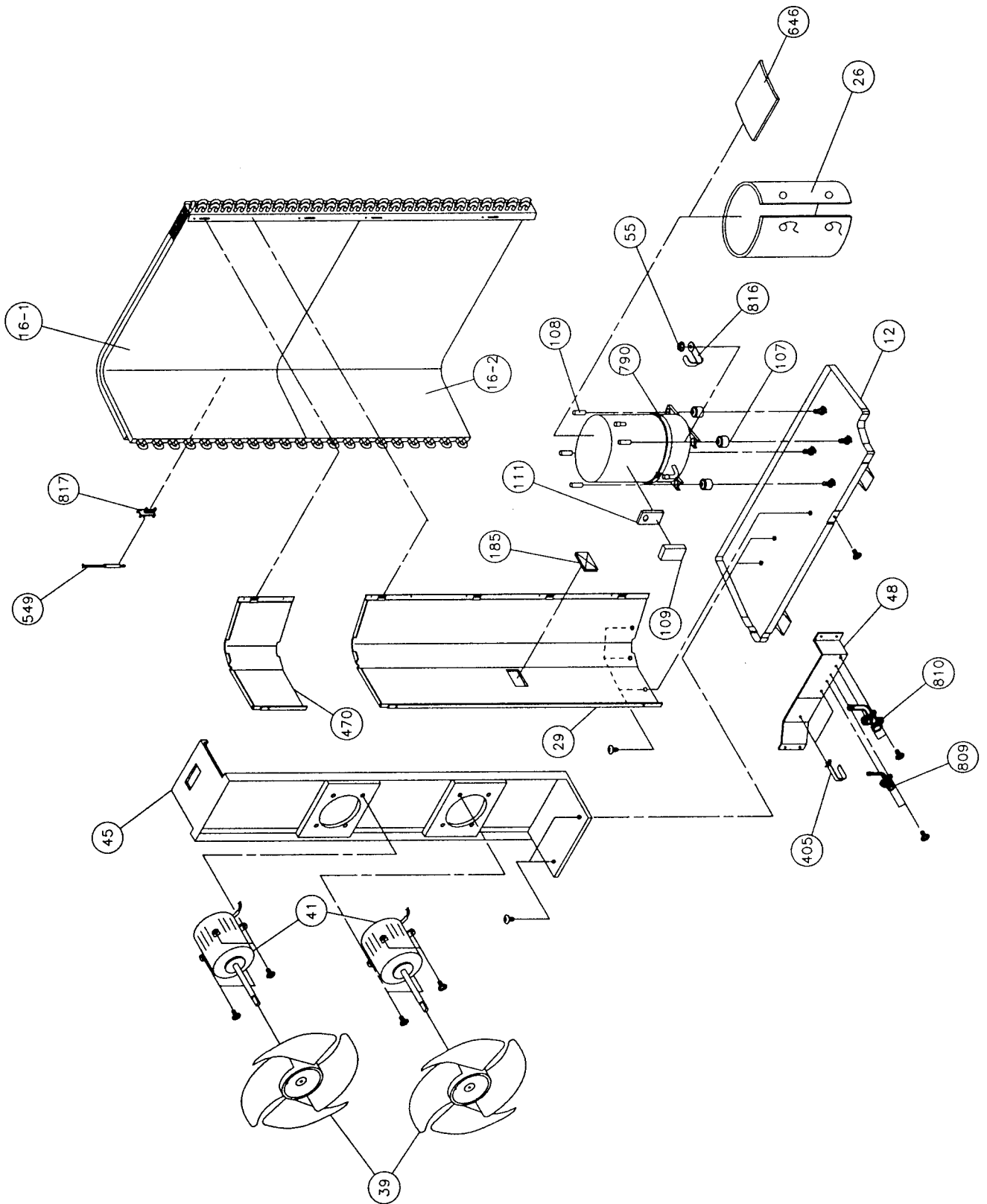
-  : Flare coupling
-  : Cooling
-  : Heating
-  : Check Valve

# DISASSEMBLY ILLUSTRATION

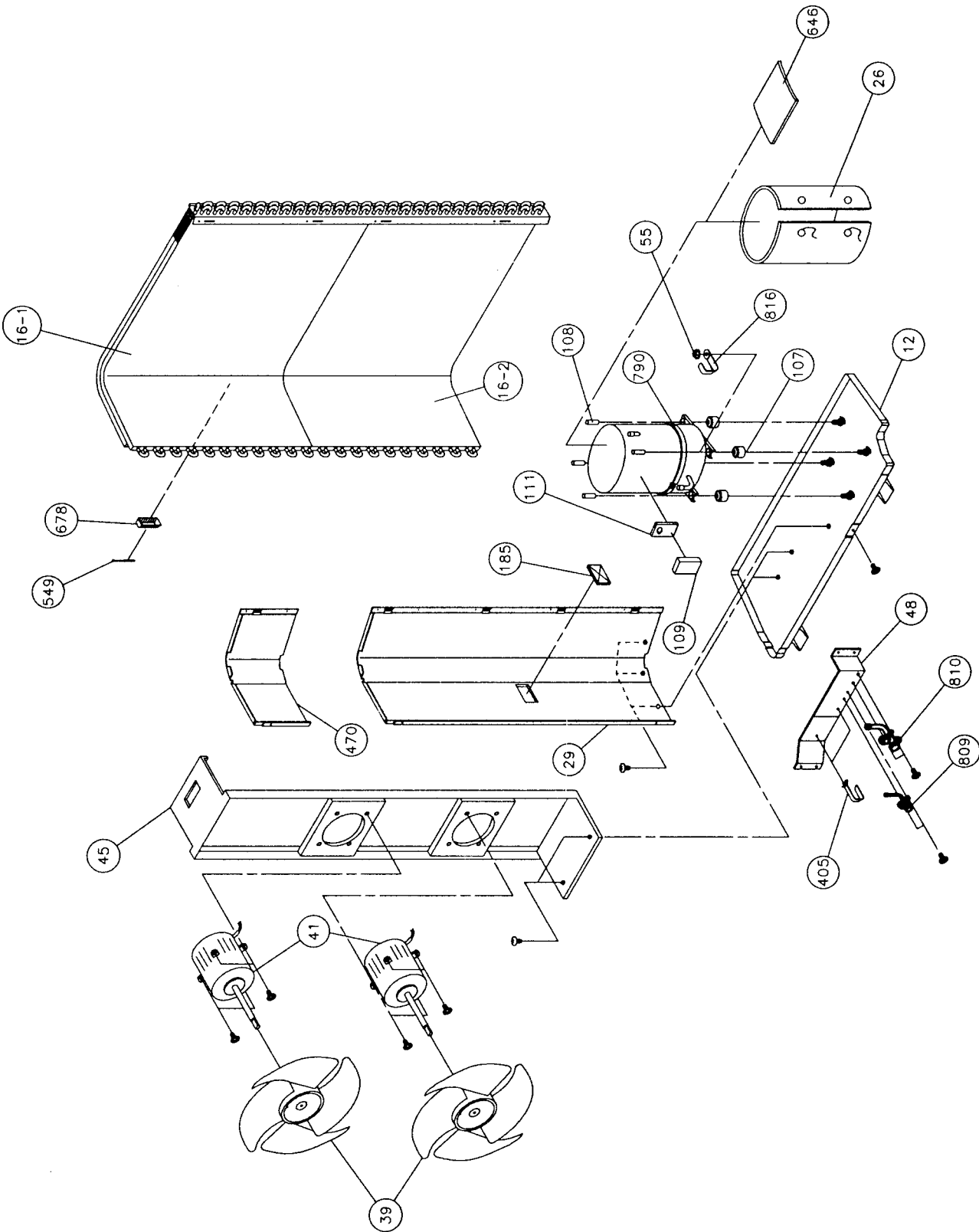
Models : ADY60ABA3L  
ADY60RBA3L



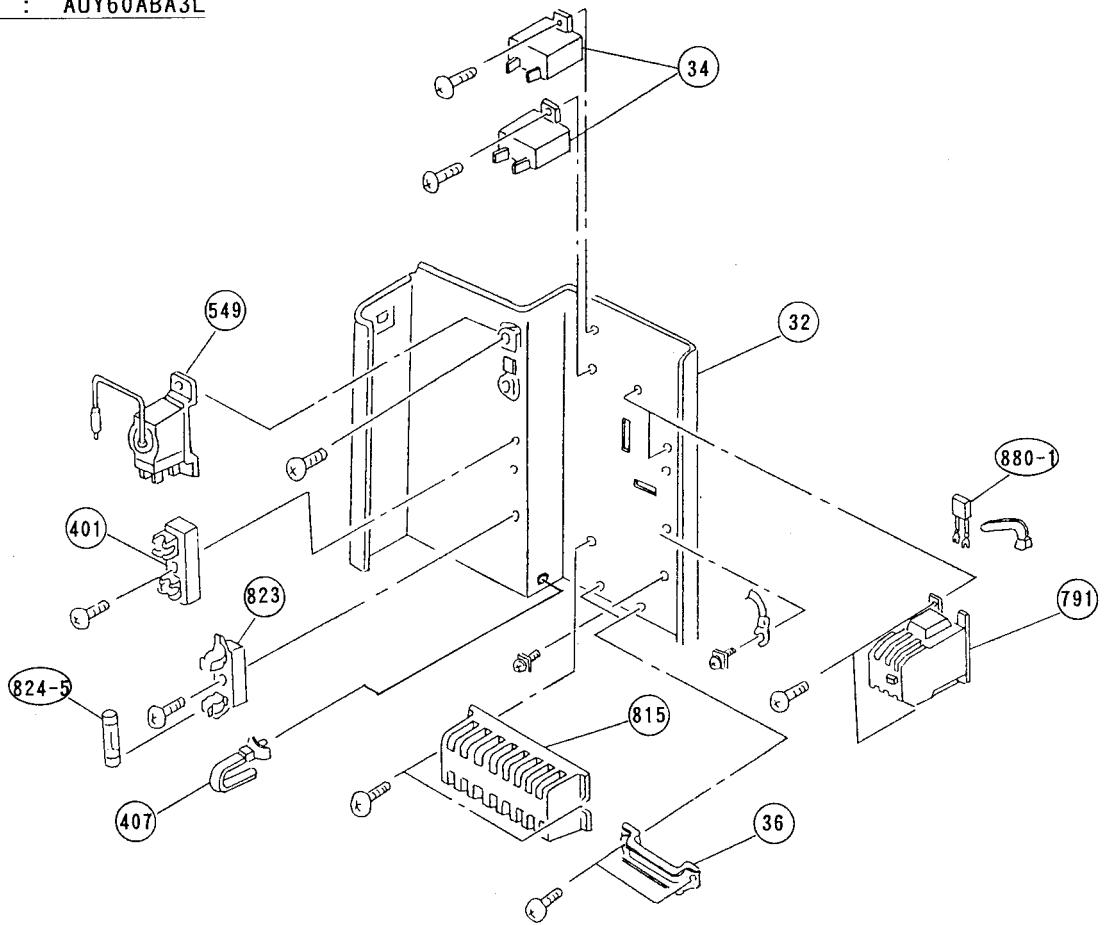
Model : AOY60ABA3L



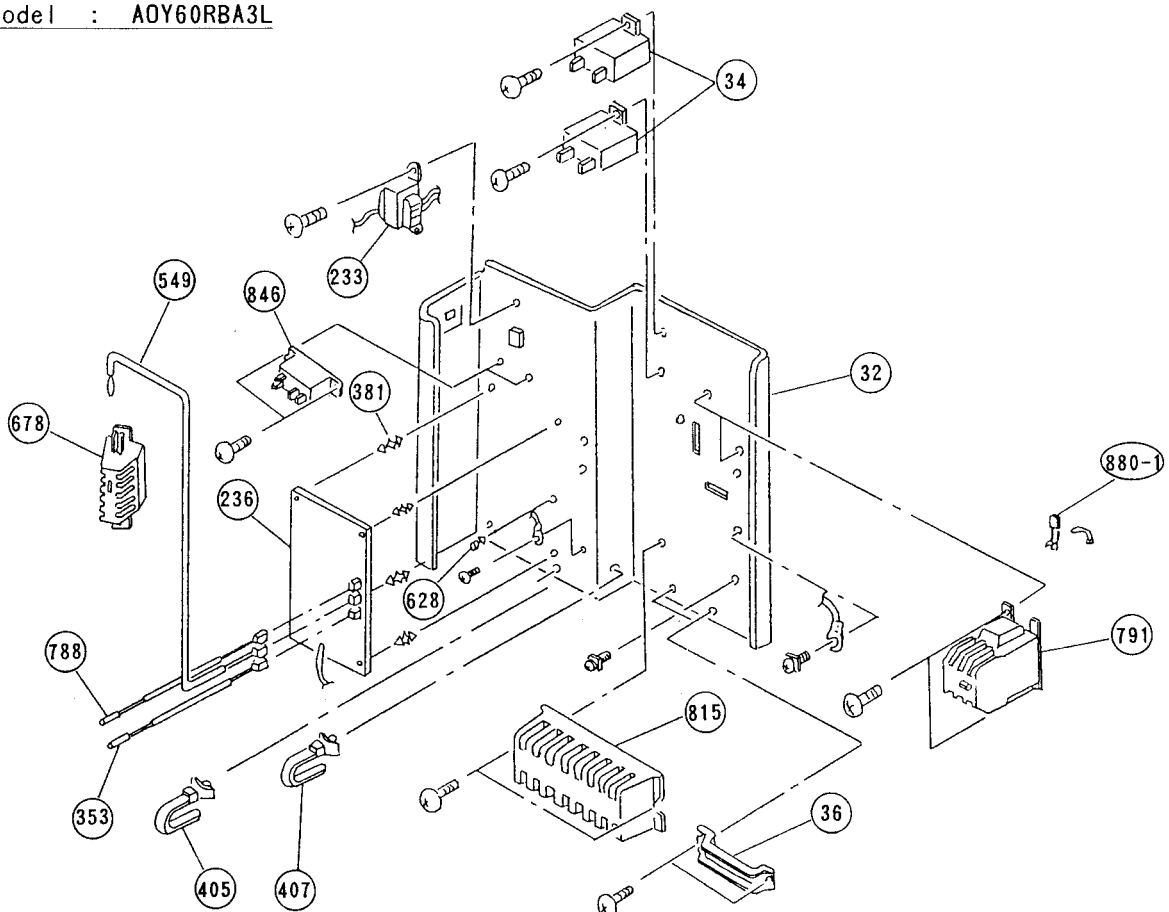
Model : AOY60RBA3L



Model : AOY60ABA3L

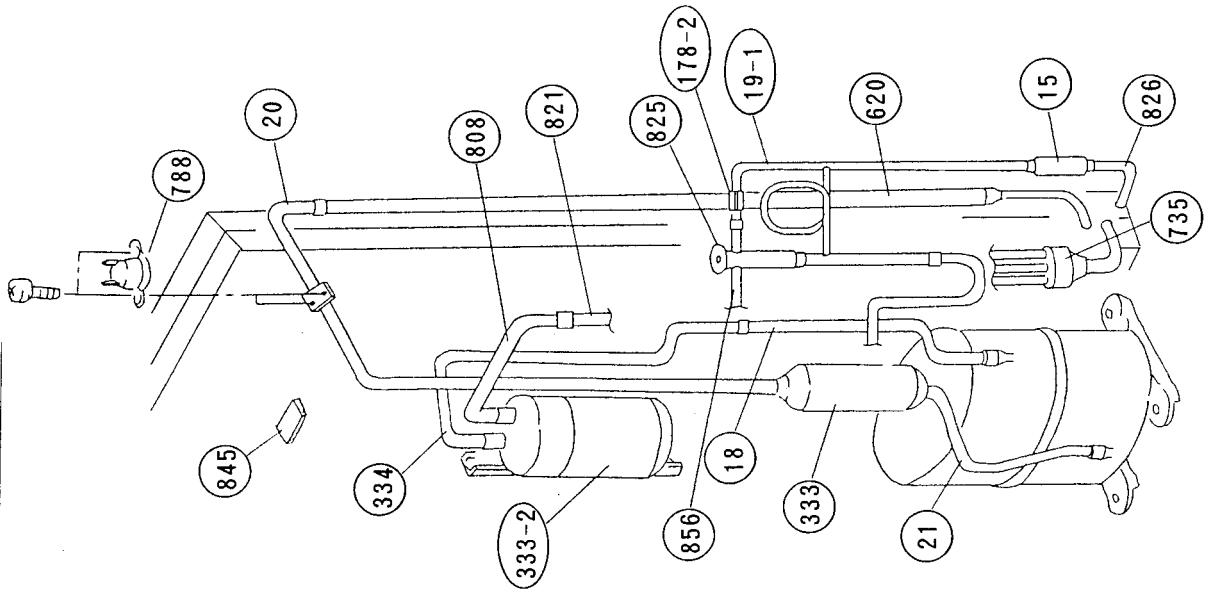


Model : AOY60RBA3L

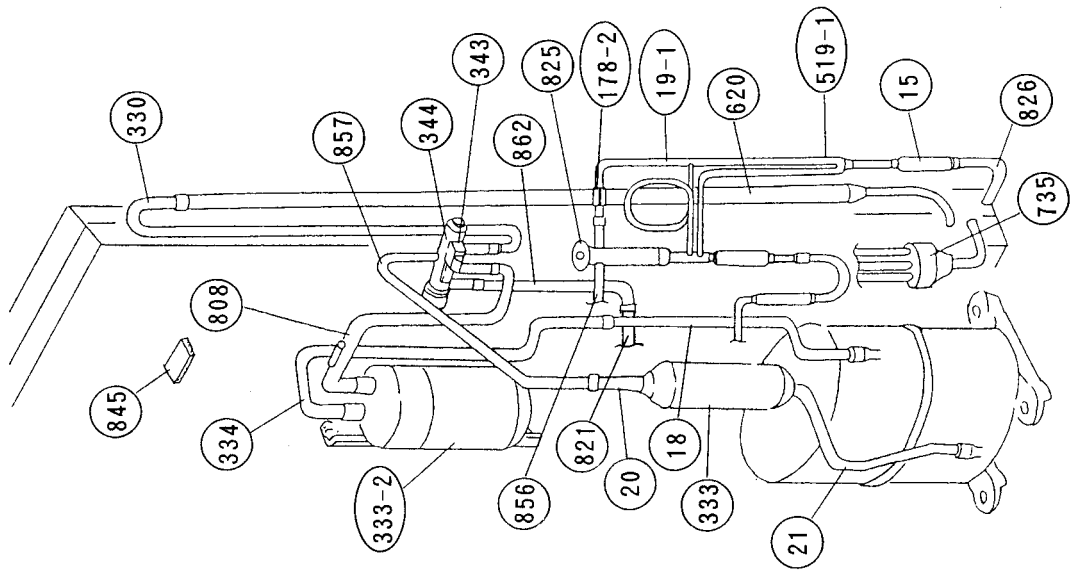




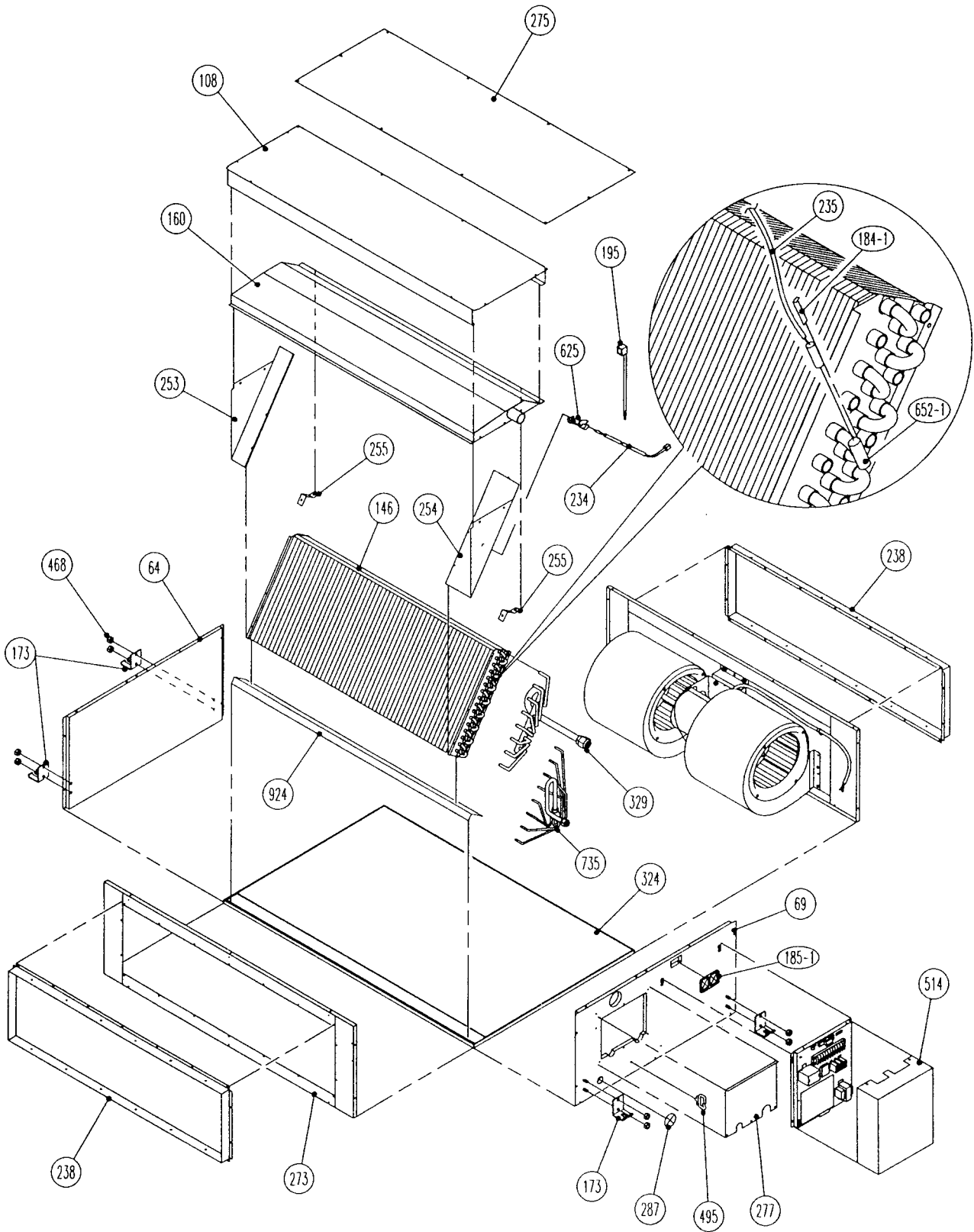
Model : AOY60ABA3L

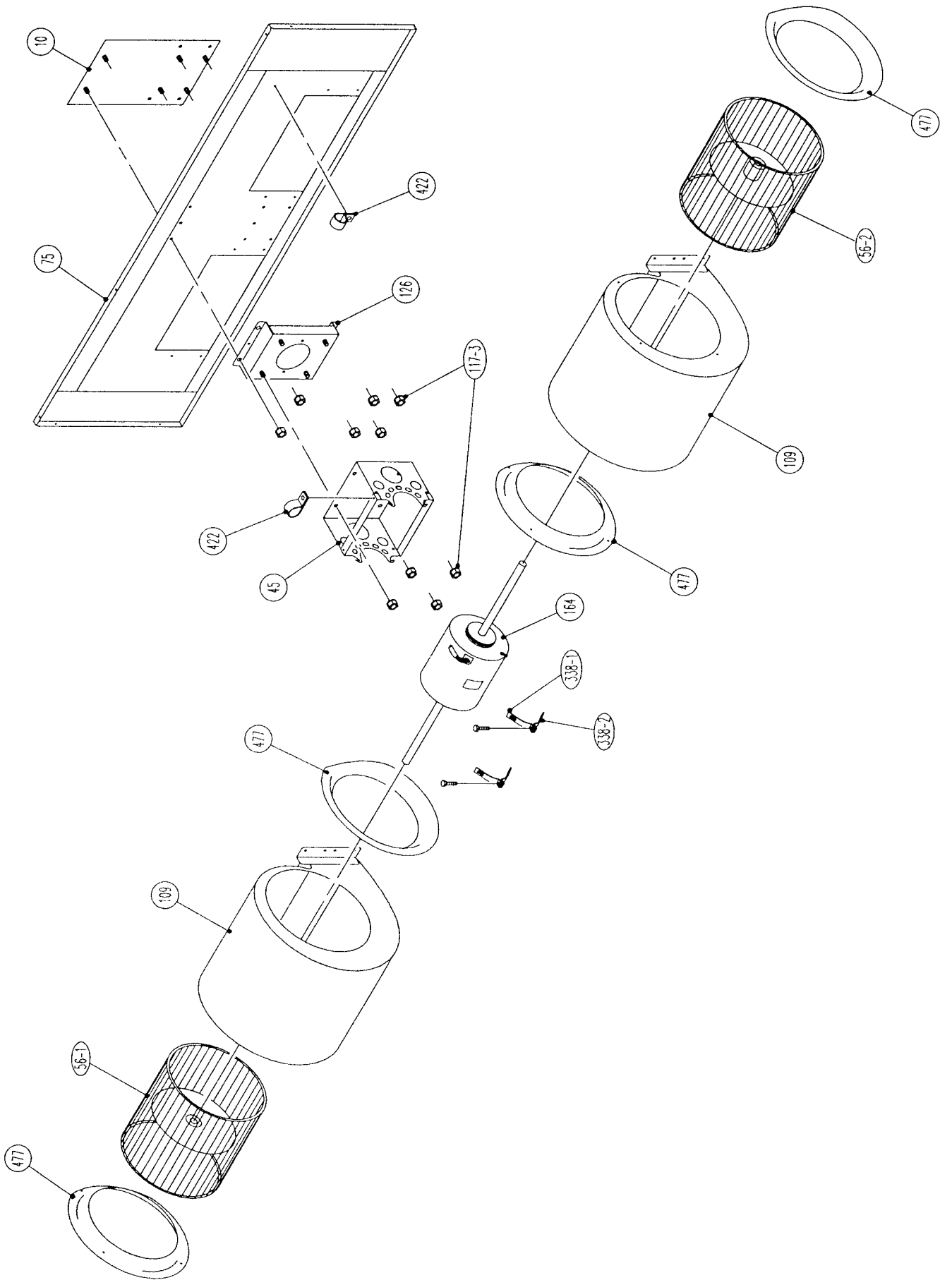


Model : AOY60RBA3L

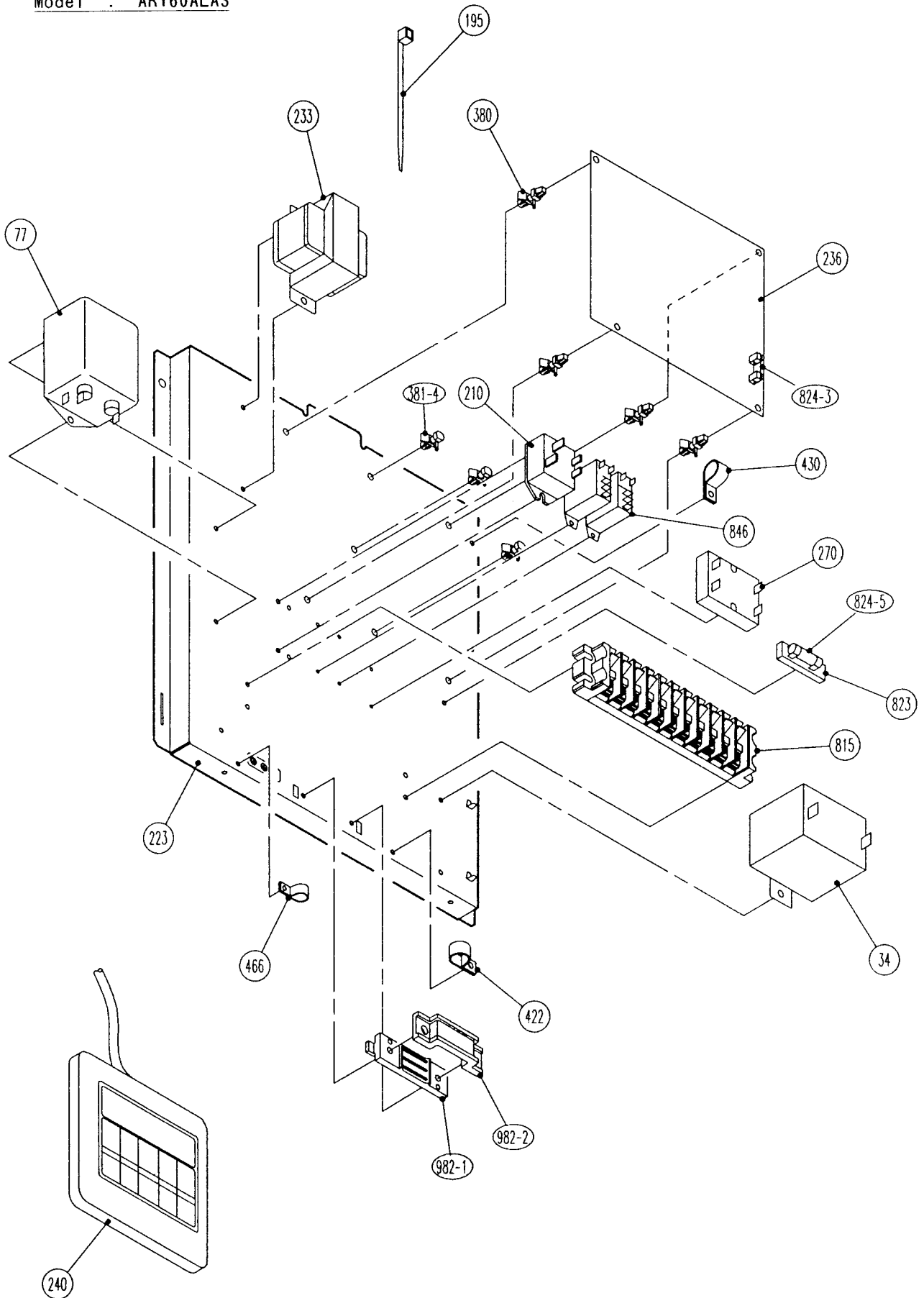


Models : ARY60ALA3  
ARY60RLA3

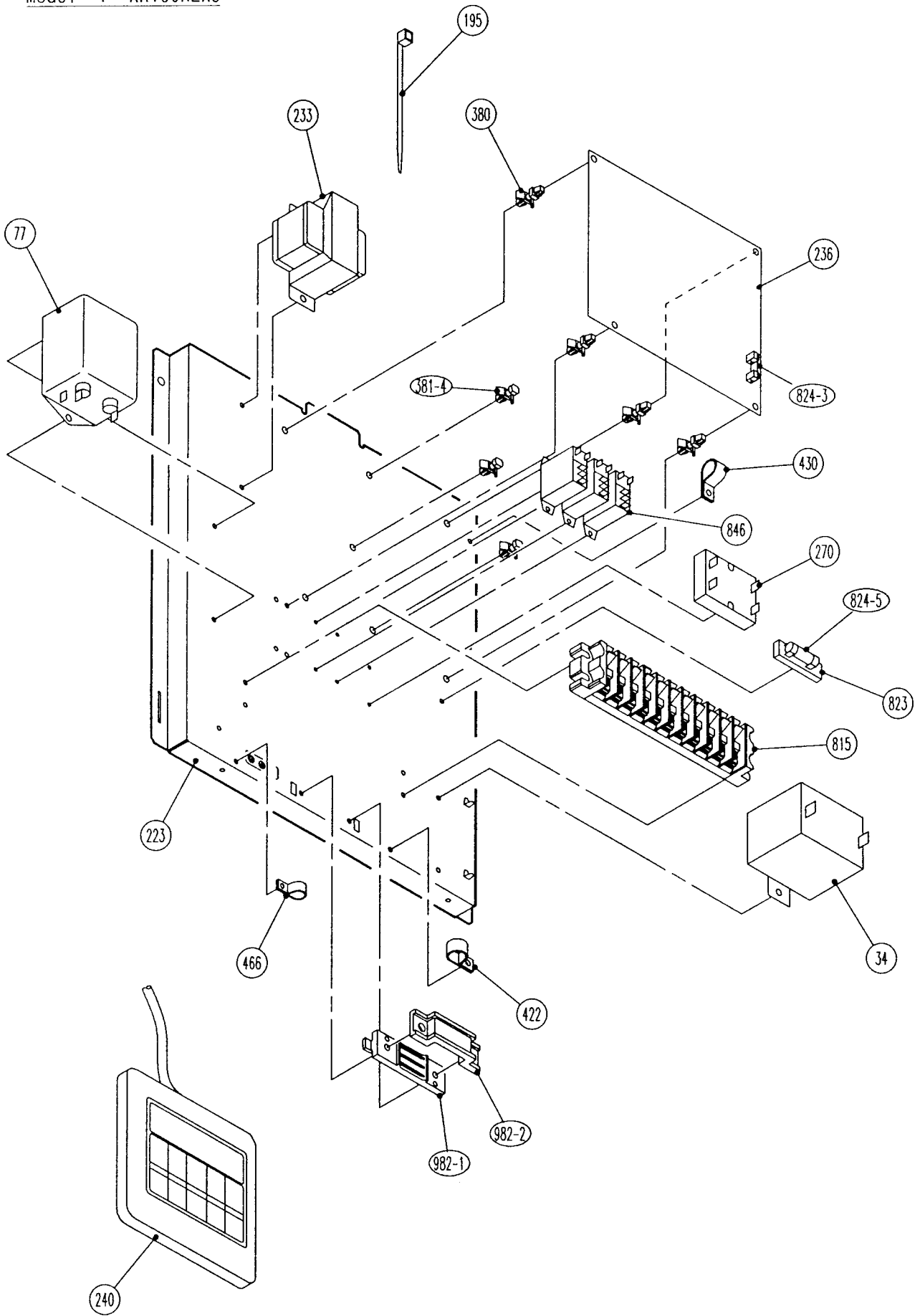




Model : ARY60ALA3



Model : ARY60RLA3



# PARTS LIST

When you order parts, please make a photocopy of this page and fill the number of the parts in the "Order" column.

## INDOOR UNIT

Ref. No.	Description	Part No.		Ref. No.	Description	Part No.	
		ARY60ALA3	ARY60RLA3			ARY60ALA3	ARY60RLA3
10	Reinforcement(Front Panel)	9361424005	9361424005	255	HE Support-Sub	9361346000	9361346000
34	Capacitor(Fan Motor)	9700468042	9700468042	270	Relay, Solid	9702099015	9702099015
45	Motor Mount Assy	9361369009	9361369009	273	Rear Panel Assy	9361350007	9361350007
56-1	Sirocco Fan-R	9361635005	9361635005	275	Under Panel	9361362000	9361362000
56-2	Sirocco Fan-L	9361636002	9361636002	277	Maintenance Panel	9361364004	9361364004
64	Left Panel Assy	9361358003	9361358003	287	Cap(Power)	9352173011	9352173011
69	Right Panel Assy	9361356009	9361356009	324	Top Plate	9361349001	9361349001
75	Front Panel	9361353008	9361353008	329	Coupling Pipe Assy	9361445000	9361445000
77	EMI Filter	9702126018	9702126018	338-1	Motor Fixture	9359702009	9359702009
108	Base	9361340008	9361340008	338-2	Motor Fixture-B	9359703006	9359703006
109	Casing Assy	9361373006	9361373006	380	Locking Spacer KGLS-6S	313209391403	313209391403
117-3	Hex.Nut w/Spring Washer	301721180114	301721180114	381-4	Locking Spacer KGPS-6S	0600118075	0600118075
126	Motor Base Assy	9361354005	9361354005	422	Clamp NK-9N	313209399700	313209399700
146	Evaporator Assy	9361436008	9361436008	430	Clamp NK-7N	313095365602	313095365602
160	Drain Pan Assy	9361341029	9361341029	466	Clamp NK-4N	313714328805	313714328805
164	Fan Motor Assy	9361439009	9361439009	468	Nut-A, M8	9356998009	9356998009
173	Hook Metal	9361367005	9361367005	477	Bell-Mouth	9361378001	9361378001
184-1	Thermo. Spring-A	313728262708	313728262708	495	Clamp No. 2U46	9352715006	9352715006
185-1	Rubber Bushing	9357376004	9357376004	514	Control Box Cover	9361366008	9361366008
195	Clamp SKB-100	313361275805	313361275805	625	Cord Bushing	9359240006	9359240006
210	Main Relay	9356781007	—	652-1	Therm Holder Pipe	313806262805	313806262805
223	Control Box Metal	9361365001	9361365001	735	Distributor Assy	9361426009	9361426009
233	Power Transformer	9701678013	9701678013	815	Terminal 11P	9358660157	9358660157
234	Thermistor Assy	9701390021	9701390021	823	Fuse Holder	0500487011	0500487011
235	Thermistor Assy-Pipe	9701329069	9701329069	824-3	Fuse	0600222512	0600222512
236	Controller PCB Assy	9702091026	9702091026	824-5	Fuse	0600315023	0600315023
238	Rectangular Flange	9361351004	9361351004	846	Relay	9702100018	9702100018
240	Remote Control Unit	9701673032	9701673032	924	Seal Plate	9361347007	9361347007
253	HE Support-Right	9361344006	9361344006	982-1	Cord Clamp-A	9359820017	9359820017
254	HE Support-Left	9361345003	9361345003	982-2	Cord Clamp-B	9359821014	9359821014

## OUTDOOR UNIT

Ref. No.	Description	Part No.		Ref. No.	Description	Part No.	
		AOY60ABA3L	AOY60RBA3L			AOY60ABA3L	AOY60RBA3L
2	Fan Cover	9352159015	9352159015	333	Accumulator	9350363018	9350363018
4	Emblem-Rear "FUJITSU"	9359836018	9359836018	333-2	Accumulator(B)	9357987002	9357987002
5	Cabinet-A, Painted	9352146015	9352146015	334	Suction Pipe-B	9352287008	9352287008
6	Cabinet-C, Painted	9352149016	9352149016	343	Solenoid Coil	—	9359616108
9	Cabinet-B, Painted	9352147012	9352147012	344	4-Way Valve	—	9353532008
12	Base Assy, Painted	9352136016	9352136016	353	Thermistor Assy-Pipe	—	9701330010
15	Dryer	9353789006	9353789006	381	Locking Spacer	—	313209391506
16-1	Condenser-A Assy	9361555006	9361555006	401	Terminal 2P	9701971015	—
16-2	Condenser-B Assy	9361556003	9361556003	405	Clamp No. 1763	313816345304	313816345304
18	Suction Pipe	9358823002	9358823002	407	Clamp(Cable)No. 1259	313739340109	313739340109
19-1	Capillary Tube-A	9361583009	9361583009	470	Separate Wall-B Assy	9361310001	9361310001
20	Discharge Pipe	9361818002	9361553002	519-1	Check Valve	—	313728138509
21	Discharge Pipe-B	9361819009	9361729001	527	Protection Net	9361730007	9361730007
26	Compressor Cover-A	9358830000	9358830000	549	Thermistor Assy	—	9357328010
29	Separate Wall Assy	9358705018	9358705018	549	Thermostat-Outdoor	9352426001	—
30	Blower Cover, Painted	9352151019	9352151019	620	Inlet Pipe (Condenser)	9361558007	9361558007
32	Control Box Metal	9352134012	9352134012	628	Locking Spacer-B	—	313005446558
34	Capacitor(Fan Motor)	9700467052	9700467052	646	Compressor Cover-B	9353368003	9353368003
36	Cord Holder Metal	9356934007	9356934007	678	Bracket(Thermistor)	—	313557406106
39	Propeller Fan Assy	9300855013	9300855013	734	Cabinet Top Plate	9352161018	9352161018
41	Fan Motor Assy	9600266014	9600266014	735	Distributor Assy	9361561007	9361561007
45	Bracket(Motor)Assy	9361315006	9361315006	788	Thermistor, Discharge	—	9358337028
46	Compressor Assy	9358822005	9358822005	788	Thermostat-Overheat	9354061002	—
48	Bracket(Coupler)Assy	9355281010	9355281010	790	Belt Heater	9358834008	9358834008
55	Special Nut M8	313252257701	313252257701	791	Magnetic Relay	9352552007	9352552007
107	Rubber Seat-A(For Comp.)	313102081406	313102081406	803	Cabinet-D, Painted	9352150012	9352150012
108	Sleeve-A(For Comp.)	313696081700	313696081700	805	Blower Cover Corner	9352160011	9352160011
109	Terminal Cover(For Comp.)	9352456022	9352456022	808	Inlet Pipe(Accumulator)	9361815001	9353180001
111	Terminal Packing (For Comp.)	9352456039	9352456039	809	Ball Valve-A	9357976006	9357976006
168	Cabinet-E, Painted	9361312029	9361312029	810	Ball Valve-B	9357982007	9357982007
169	Cabinet-F, Painted	9361311022	9361311022	812	Grip	9352157004	9352157004
178-2	Capillary Holder Rubber	313394274808	313394274808	813	Cabinet Hook	9352148002	9352148002
185	Rubber Bushing	313005066051	313005066051	815	Terminal 8P	9358640029	9358640029
233	Power Transformer	—	9701549016	816	Wire Clamp Metal	313584219902	313584219902
236	Controller PCB Assy	—	9701936014	817	Thermostat Fixture	9352164019	—
330	Inlet Pipe(Condenser)-A	—	9361573000				

When you order parts, please make a photocopy of this page and fill the number of the parts in the "Order" column.

OUTDOOR UNIT (Continued)

Ref. No.	Description	Part No.		Ref. No.	Description	Part No.	
		AOY60ABA3L	AOY60RBA3L			AOY60ABA3L	AOY60RBA3L
821	Joint Pipe(Valve-B)	9352284007	9353307002	845	Insulation (Expansion valve)	9353370006	9353370006
822	Fan Cover Fixture-A	9352158018	9352158018	846	Relay	—	9304375005
823	Fuse Holder	0500487011	0500158072	856	Equalizing Pipe-C	9361952003	9353304001
824-5	Fuse	0600315023	—	857	Inlet Pipe(Accumulator)-B	—	9353199003
825	Expansion Valve Assy	9361822009	9361574007	862	Valve-B Coupler Pipe Assy	—	9353309006
826	Condensing Pipe-B	9361557000	9361557000	880-1	Network	9700987017	9700987017

[Indoor Unit]CONTROLLER PCB ASSEMBLY (Ref. No. 236)

( ) : Reverse cycle models

Ref. No.	Description	Part No.	Ord. Q'ty	Ref. No.	Description	Part No.	Ord. Q'ty
IC1	IC $\mu$ PD780801W-013	9701722013		C9, 13, 17, 18, 21, 24	Cap. Ceramic 0.1 $\mu$ F	0300988251	
IC2	IC $\mu$ PC7805AHF	0100008036		C10	Cap. Elec. 35V 2200 $\mu$ F	0300915042	
IC3	IC $\mu$ PC7812AHF	0100008104		C12	Cap. Elec. 24V 100 $\mu$ F	0300051375	
(IC4)	IC H12002	9701384020		C14, 15, 26, 27, (CJ16)	Cap. Ceramic 50V 0.01 $\mu$ F	0300013113	
IC5, 6	IC $\mu$ PA2003C	0100028010		C19, 22, 25, 30	Cap. Ceramic 50V 1000pF	0300011096	
IC7	IC BA10358	0101854014		X1	Ceramic Resonator EFOEC838474	9701261017	
IC8	IC PST600D-2-TP	0101461113		LF1	EMI Filter SU16VF-15030	0400134114	
Q1	Xstr 2SD880	0000001014		L2-4	EMI Filter EXCEMT103DT	0400406396	
Q(2), 3, 6	Xstr DTC124ES	0000517010		F1	Fuse BET3. 15A - 250V	0600222512	
Q4, 5	Xstr 3SC1815	0000002011		FH1, 2	Fuse Holder PFC5000-0502	0500158072	
D1	Diode D2SB20	0000599023		VA1, 2, (3)	Varistor TNR12G471K	0000038010	
D2	Diode MTZJ15C	0000852203		K1, 2, (3), 5	Relay JQ1-12V	9701316014	
D3, 11, 12	Diode 1SR139-400	0000353137		CR2	CR Absorber RPEL-121204	9701125012	
D4	Diode S1VB20	0000292054		RC1-3	CR Module ARCL12FS103J102J103M	0200301013	
D5-7, 10	Diode 1SS133	0000572019		SA1	Arrester	0600168032	
R1, 2	Res. Carbon 1/4W 5.6k $\Omega$ $\pm$ 5%	0200994192		SW1	Switch, Slide DSS804	9701393015	
R3, 15, 17, 22, 27	Res. Carbon 1/4W 1k $\Omega$ $\pm$ 5%	0200994017		SW2	Switch, Rotary DRS4016-3	9701694013	
R4, (6), 10-12, 14, 19-21, 23, 26, 29	Res. Carbon 1/4W 10k $\Omega$ $\pm$ 5%	0200994253		HT1	Heat Sink PUG-26-25	9701428014	
R5, 13, 28	Res. Carbon 1/4W 390 $\Omega$ $\pm$ 5%	0200993874		HT2	Heat Sink B. PUE-16	9701376018	
R7	Res. Metal 15.4k $\Omega$	0201028759		(CN1)	Plug, PCB 53406-9210	0500951062	
R8	Res. Metal 28.0k $\Omega$	0201028742		CN1	Plug, PCB 53406-9910	0500951048	
R9	Res. Carbon 1/4W 4.7k $\Omega$ $\pm$ 5%	0200994178		CN3	Plug, PCB B2P3-VH-B-C	0500011773	
R16	Res. Metal 3.32k $\Omega$	0201028568		CN4	Plug, PCB 53331-0210	0501033019	
R18	Res. Metal 10.5k $\Omega$	0201028537		CN6	Plug, PCB B2P3-VH-B-R	0500011766	
R24	Res. Metal 22.1k $\Omega$	0201028513		CN7, CN13	Plug, PCB B4B-XH-AM	0500005314	
R25	Res. Metal 33.2k $\Omega$	0201028544		CN8	Plug, PCB 53405-0310	0500940035	
C1, 4	Cap. Plastic 250V 0.1 $\mu$ F	0300894835		CN9	Plug, PCB B2P-VH-B	0500011124	
C2, 3	Cap. Ceramic 4700pF	0300727546		CN10	Plug, PCB B2P-VH-B-C	0500011568	
C5	Cap. Elec. 50V 2200 $\mu$ F	0301206026		CN11	Plug, PCB B3B-XH-AM	0500005338	
C6	Cap. Elec. 50V 10 $\mu$ F	0300003145		CN12	Plug, PCB B2B-XASK-1-A	0500006021	
C7, 11, 20, 23	Cap. Elec. 25V 10 $\mu$ F	0300004258		CN16	Wire w/Terminal GRN L=300	0501045012	
C8	Cap. Elec. 25V 2200 $\mu$ F	0300915417		E	Wire w/Terminal GRN L=100	9702313012	

[OUTDOOR P. C. B.]CONTROLLER PCB ASSEMBLY (Ref. No. 236)

Ref. No.	Description	Part No.	Ord. Q'ty	Ref. No.	Description	Part No.	Ord. Q'ty
IC1	IC $\mu$ PD78081CU-011	9701721016		C2, 3	Cap. Ceramic 4700pF	0300727546	
IC2	IC HJ2001	9701651016		C5	Cap. Elec. 50V 2200 $\mu$ F	0301206026	
IC3	IC PST600D-2-T	0101461113		C6, 7, 21, 24, 27	Cap. Elec. 50V 10 $\mu$ F	0300004258	
IC4	IC NJM7805FA	0100462081		C8, 18, 19, 22, 25, 28, 29, 34, 36	Cap. Ceramic 0.1 $\mu$ F	0300988251	
IC5, 6	IC BA12003	0101650012		C9-11, 14-16, 30	Cap. Ceramic 50V 0.01 $\mu$ F	0300013113	
Q1	Xstr 2SD880	0000001014		C17	Cap. Elec. 25V 100 $\mu$ F	0300051375	
Q2, 3	Xstr DTC124ES	0000517010		C20, 23, 26, 35	Cap. Ceramic 50V 1000pF	0300011096	
D1	Diode D2SB20	0000599023		C33	Cap. Elec. 50V 2200 $\mu$ F	0300915417	
D2	Diode MTZJ15C	0000852203		F1	Fuse 3.15A - 250V	0600222512	
D3-5	Diode 1SR139-400	0000353137		RC1	CR Module ARCL12FS103J102J103M	0200301020	
D6	Diode 1SS133	0000572019		CR1-3	CR Absorbar RPEL-121204	9701125012	
R1, 2	Res. Carbon 1/4W 5.6k $\Omega$ $\pm$ 5%	0200994192		SA1	Arrester DSA-362MA-05	0600168032	
R3, 6, 10-12, 14, 16, 18, 20, 24	Res. Carbon 1/4W 1k $\Omega$ $\pm$ 5%	0200994017		K1-6	Relay JQ1-12V	9701316014	
R4, 26	Res. Carbon 1/4W 4.7k $\Omega$ $\pm$ 5%	0200994178		L1	EMI Filter SU16VF-15030	0400134114	
R5, 7-9, 13, 21-23, 25	Res. Carbon 1/4W 10k $\Omega$ $\pm$ 5%	0200994253		VA1, 4	Varistor TNR12G471K	0000038010	
R15, 17	Res. Metal 14.0 $\Omega$	0201028612		HT1	Heat Sink PUG26-25	9701428014	
R19	Res. Metal 6.65k $\Omega$	0201028766		FH1, 2	Fuse Holder PFC5000-0502	0500158072	
C1, 4	Cap. Plastic 250V 0.1 $\mu$ F	0300894835		X1	Ceramic Resonator EFOEC500474Z	9701261024	

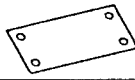


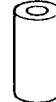

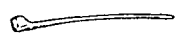






When you order parts, please make a photocopy of this page and fill the number of the parts in the "Order" column.

[OUTDOOR P. C. B.] CONTROLLER PCB ASSEMBLY (Ref. No. 236) (Continued)



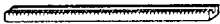







Ref. No.	Description	Part No.	Ord. Q' ty	Ref. No.	Description	Part No.	Ord. Q' ty
LED1, 2	LED SLR-325VC	0000813259		CN9	Plug, PCB 179844-1	0501121013	
CN1	Plug, PCB 53406-9110	0500951086		CN10	Plug, PCB B4P-SHF-1AA	0500006038	
CN2	Plug, PCB B2P3-VH-B-R	0500011766		CN11	Plug, PCB B2P-VH-B	0500011124	
CN3	Plug, PCB B2B-XH-AM	0500005321		CN12	Plug, PCB B2P-VH-B-C	0500011568	
CN4, 6	Plug, PCB 53331-0210	0501033019		CN13	Plug, PCB B2P-VH-B-R	0500011148	
CN5	Plug, PCB B4P7-VH-B	0500011742		CN15	Plug, PCB B2B-XASK-1-A	0501045012	
CN7	Plug, PCB B4P7-VH-B-R	0500011797		E	Wire w/Terminal GRN L=210	9701325016	
CN8	Plug, PCB 179844-2	0501121020					



INDOOR UNIT ACCESSORIES

Name and Shape	Q' ty	Application	ARY60ALA3	ARY60RLA3
Installation template 	1	For positioning the indoor unit	9361644007	9361644007
Special nut A (large flange) 	4	For suspending the indoor unit from ceiling	313005446653	313005446653
Special nut B (small flange) 	4		313005446759	313005446759
Coupler heat insulation (large) 	2	For indoor side pipe joint (large pipe)	9350716029	9350716029
Coupler heat insulation (small) 	1	For indoor side pipe joint (small pipe)	9352766015	9352766015
Nylon fastener 	1	For fixing the drain hose	312300787605	312300787605
Remote control unit 	1		9701673032	9701673025
Remote control unit cord clamp 	10	For installing the remote control unit cord	313714181904	313714181904
Tapping screw (flush heads) 	10	For installing the remote control unit cord clamp	301141153027	301141153027
Auxiliary pipe assembly 	1	For wiring conduit(gas side) connection	9357038001	9357038001
Drain hose insulation 	1	Insulates the drain pipe and drain hose connection	9361646001	9361646001
Drain pipe insulation 	1	For insulating the drain pipe	9361796003	9361796003

OUTDOOR UNIT ACCESSORIES

Name and Shape	Q'ty	Application	AOY60ABA3L	AOY60RBA3L
Power cap 	1	For power supply cord installation	9352173011	9352173011
Auxiliary pipe assembly 	1	For wiring conduit(gas side) connection (May not be supplied, depending on the model)	9355292016	9355292016
Edge cover 	1	For wiring conduit installation hole edge protection	9352436000	9352436000
Tapping screw 	2	• For cabinet A and cabinet D mounting(1) • Spare(1)	301463040100	301463040100
Binder 	1	For power supply cord binding	313035356905	313035356905
Putty 	1	For sealing	303020200114	303020200114
Coupler heat insulation 	1	For outdoor side pipe joint	313005074759	313005074759
Pipe(drain) 	2	For outdoor unit drain piping work(May not be supplied, depending on the model.)	————	313728031005
Flexible tube 	2		————	313013042915
Cap(drain) 	2		————	313166024302

**FUJITSU**  
FUJITSU GENERAL LIMITED