

SPLIT TYPE AIR
CONDITIONER (50Hz)
DUCT type

SERVICE MANUAL

| Models | Indoor unit | Outdoor unit |
|--------|-------------|--------------|
| | ARY9ALB | AOY9AGA |
| | ARY9RLB | AOY9RGA |

CONTENTS

| | |
|---|----|
| SPECIFICATIONS | 1 |
| OUTLINE AND DIMENSIONS | 2 |
| CIRCUIT DIAGRAM | 3 |
| PRINTED CIRCUIT BOARD LAYOUTS | 8 |
| REFRIGERANT SYSTEM DIAGRAM | 10 |
| DISASSEMBLY ILLUSTRATION | 11 |
| PARTS LIST | 21 |

S P E C I F I C A T I O N S

| | | | |
|------------------|------|-----------|-----------|
| INDOOR UNIT | | ARY9ALB | ARY9RLB |
| OUTDOOR UNIT | | AOY9AGA | AOY9RGA |
| COOLING CAPACITY | (kW) | 2.70-2.80 | 2.60-2.70 |
| HEATING CAPACITY | (kW) | – | 3.00-3.10 |

ELECTRICAL DATA

| | | | |
|---------------------|----------------------|---------|-----------|
| POWER SOURCE | (V) | 220-240 | |
| FREQUENCY | (Hz) | 50 | |
| RUNNING CURRENT (A) | COOLING | 4.3-4.2 | 4.1-3.9 |
| | HEATING | – | 4.1-3.9 |
| INPUT WATTS | (kW) | COOLING | 0.93-0.97 |
| | | HEATING | – |
| EER | (kW/kW) | COOLING | 2.90-2.89 |
| | | HEATING | – |
| MOISTURE REMOVAL | (ℓ /hr) | 0.8 | 0.8 |
| AIR CIRCULATION-Hi | (m ³ /hr) | 420 | 420 |

COMPRESSOR

| | |
|------|--|
| TYPE | Hermetic type, Permanent split condenser, 2 pole, Single phase, Induction motor |
| CODE | GRG103CA |

FAN MOTOR

| | ARY9ALB | ARY9RLB | AOY9AGA | AOY9RGA |
|--------------|--------------|---------|-----------|----------|
| TYPE | MFA-09FTT | | MFB-14VTB | MFB-09FT |
| POWER SOURCE | (V) 220-240 | | | |
| HI-SPEED | (r.p.m.) 960 | | 740 | 740 |
| MED-SPEED | (r.p.m.) 880 | | – | – |
| LO-SPEED | (r.p.m.) 810 | | – | 440 |

DIMENSIONS

| | | | |
|--------|------|-----|-----|
| HEIGHT | (mm) | 217 | 530 |
| WIDTH | (mm) | 663 | 750 |
| DEPTH | (mm) | 595 | 250 |

WEIGHTS

| | | | | |
|--------------|------|----|----|----|
| GROSS WEIGHT | (kg) | 22 | 32 | 36 |
| NET WEIGHT | (kg) | 18 | 30 | 34 |

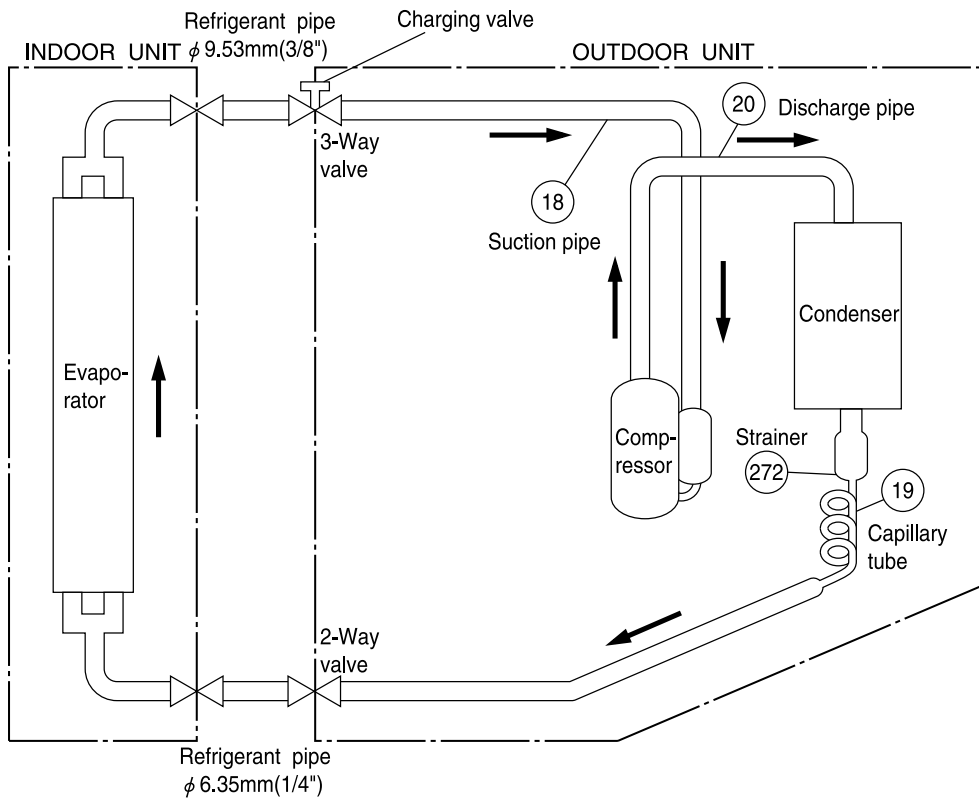
ADDITIONAL REFRIGERANT CHARGE

| | | |
|--------------------|---------|--------------|
| PIPE LENGTH | | 15m or less |
| FULL CHARGE AMOUNT | ARY9ALB | 920g(32.5oz) |
| | ARY9RLB | 950g(33.5oz) |

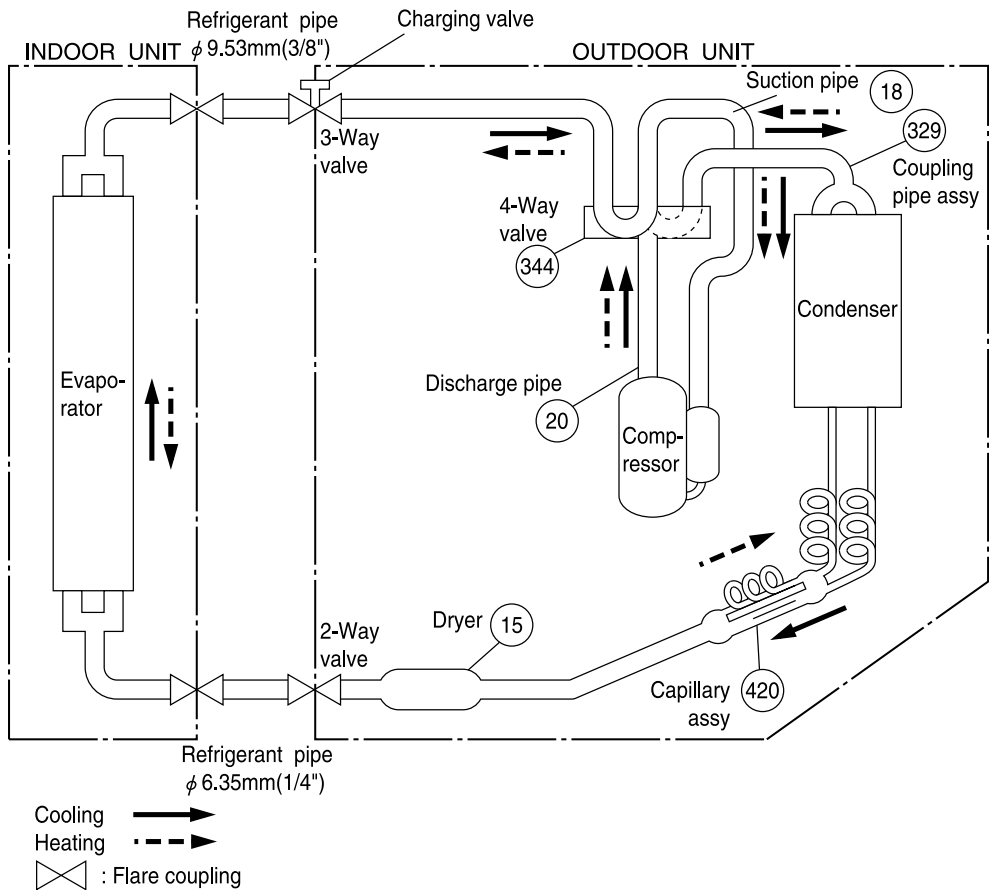
- Note : ●Since this is a chargeless air conditioner, if the piping length is 15m (49ft) or less, additional charging is not necessary.
●The above list shows values at the exterior static pressure of 0mmAg (0Pa).

REFRIGERANT SYSTEM DIAGRAM

Models : ARY9ALB / AOY9AGA



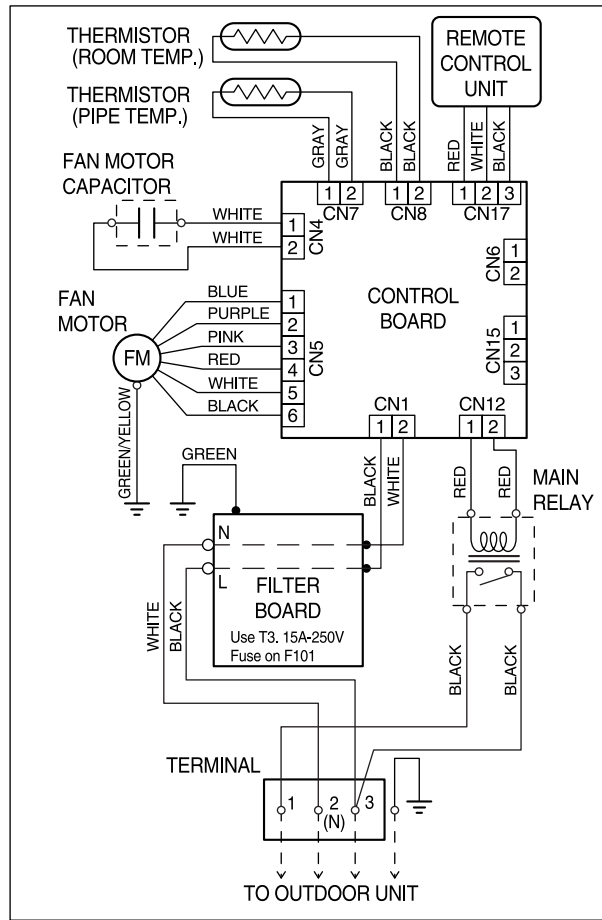
Models : ARY9RLB / AOY9RGA



CIRCUIT DIAGRAM

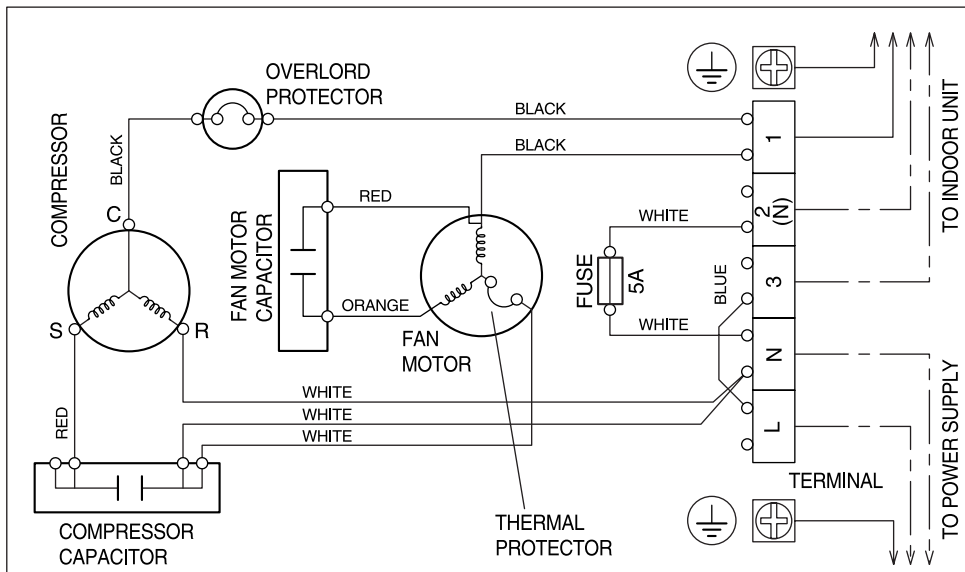
Models : ARY9ALB / AOY9AGA

INDOOR UNIT



| | |
|---------------------|-------------|
| FAN MOTOR CAPACITOR | 2.3 μ F |
|---------------------|-------------|

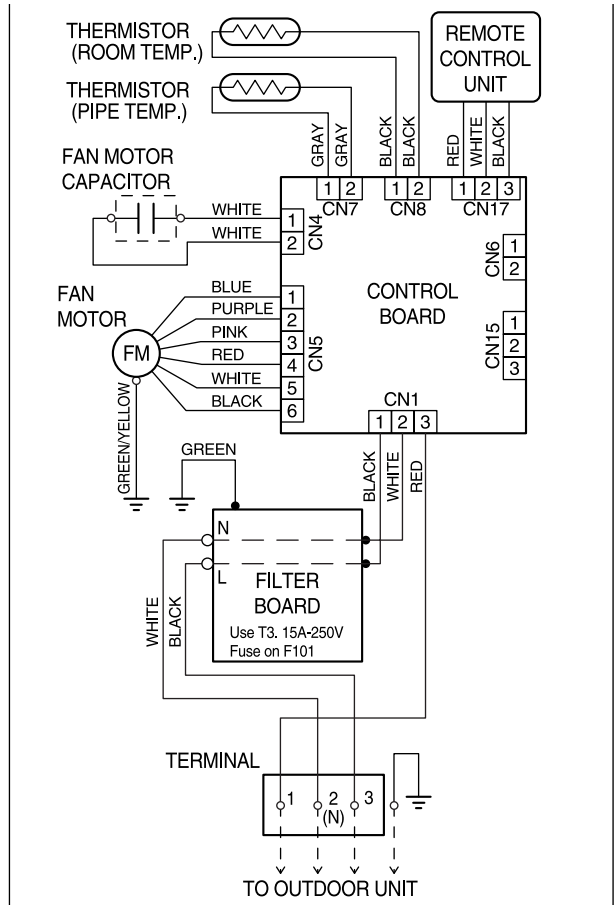
OUTDOOR UNIT



| | |
|----------------------|-------------|
| FAN MOTOR CAPACITOR | 1.6 μ F |
| COMPRESSOR CAPACITOR | 35 μ F |

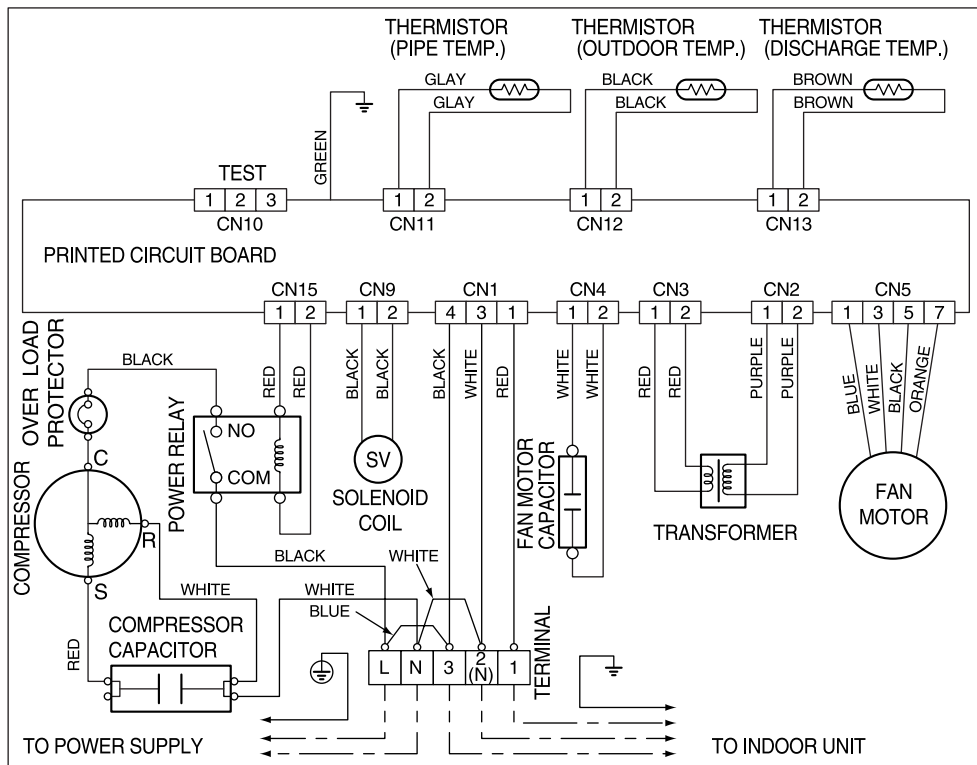
Models : ARY9RLB / AOY9RGA

INDOOR UNIT



| | |
|---------------------|-------------|
| FAN MOTOR CAPACITOR | 2.3 μ F |
|---------------------|-------------|

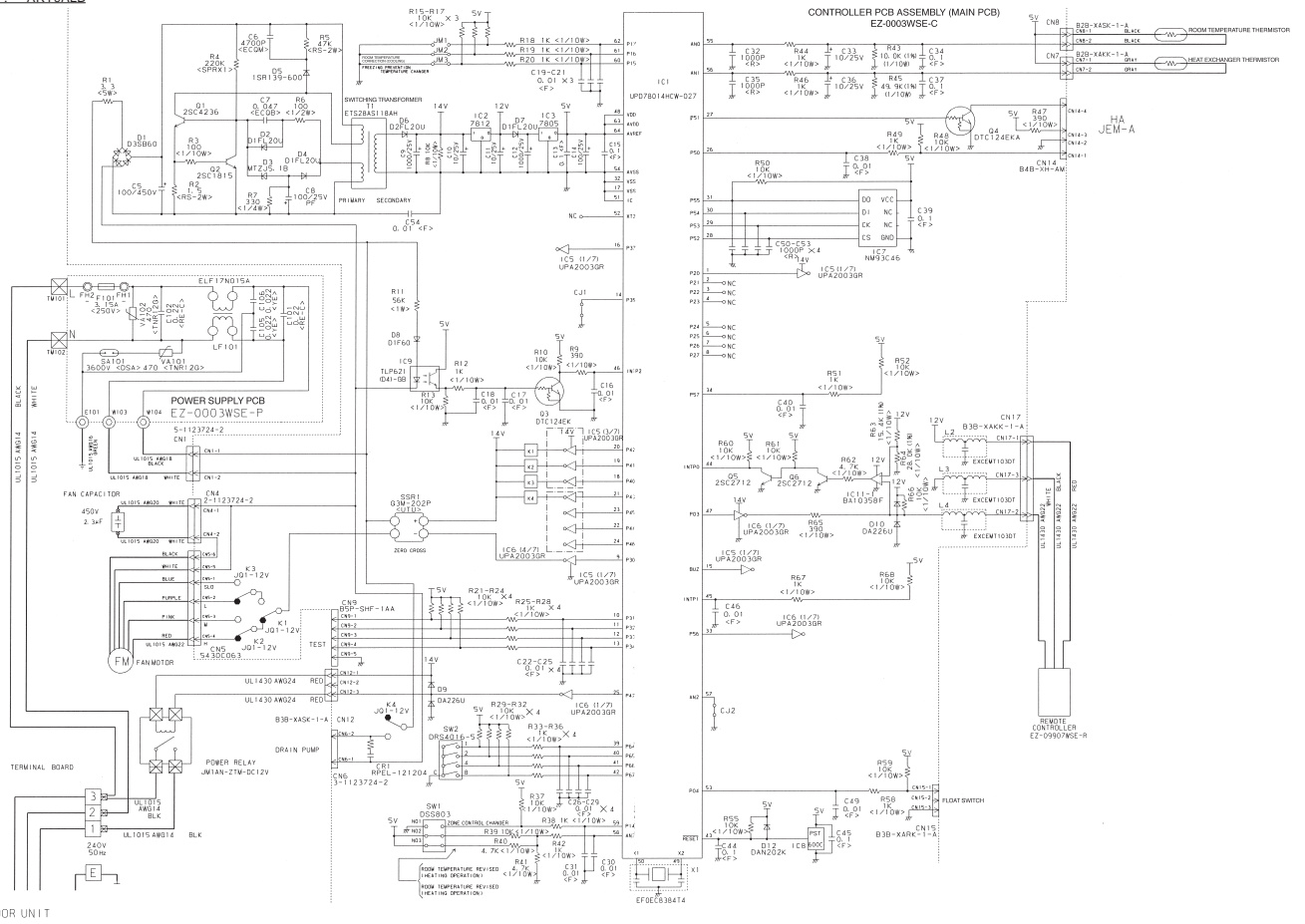
OUTDOOR UNIT



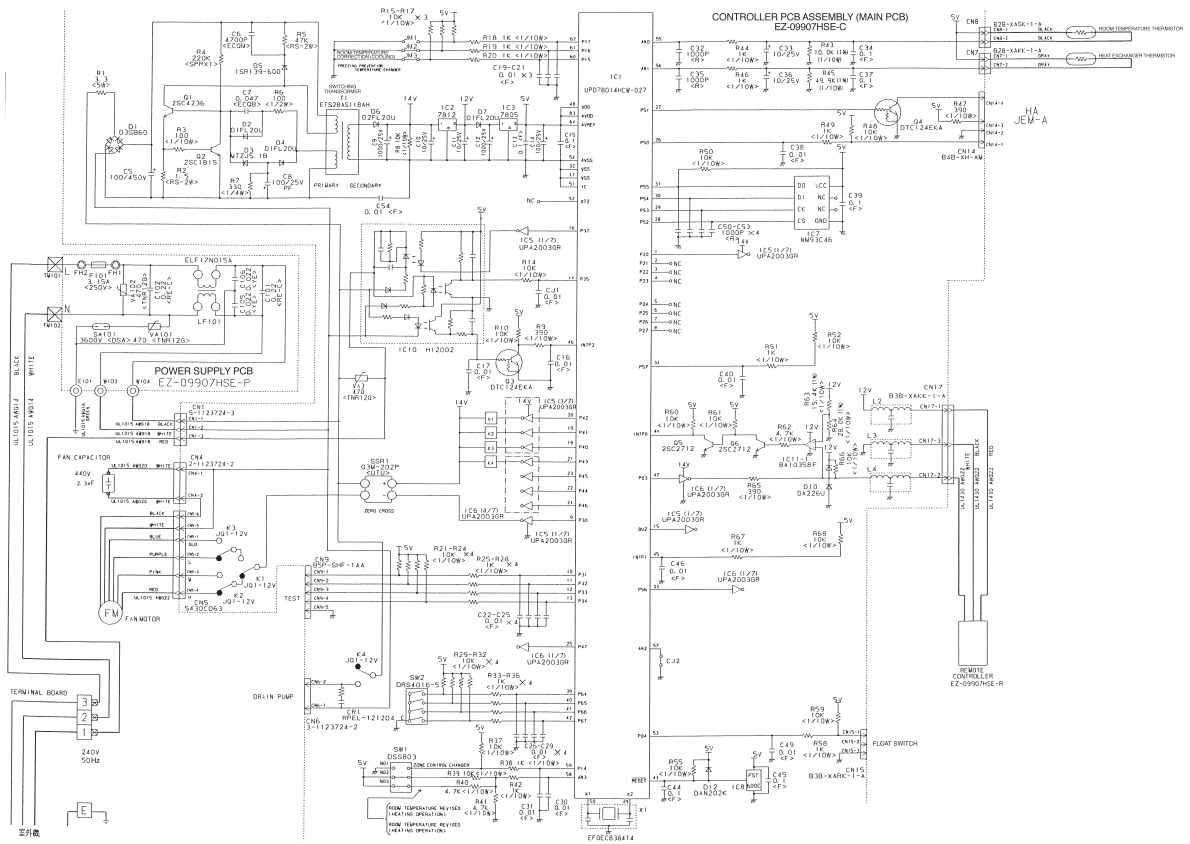
| | |
|----------------------|------------|
| COMPRESSOR CAPACITOR | 35 μ F |
|----------------------|------------|

INDOOR PRINTED CIRCUIT BOARD CIRCUIT DIAGRAM

Model : ARY9ALB

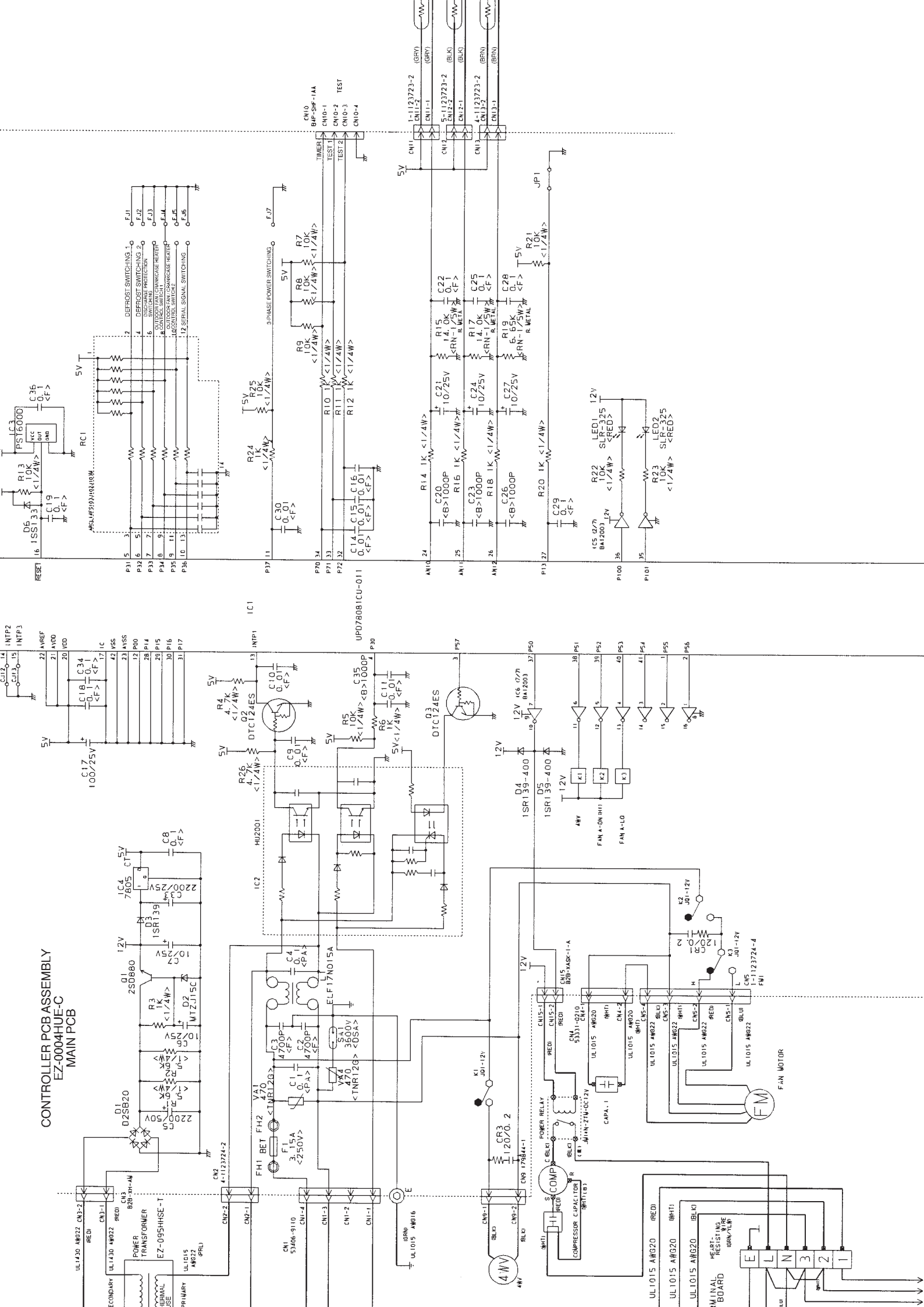


Model : ARY9RLB



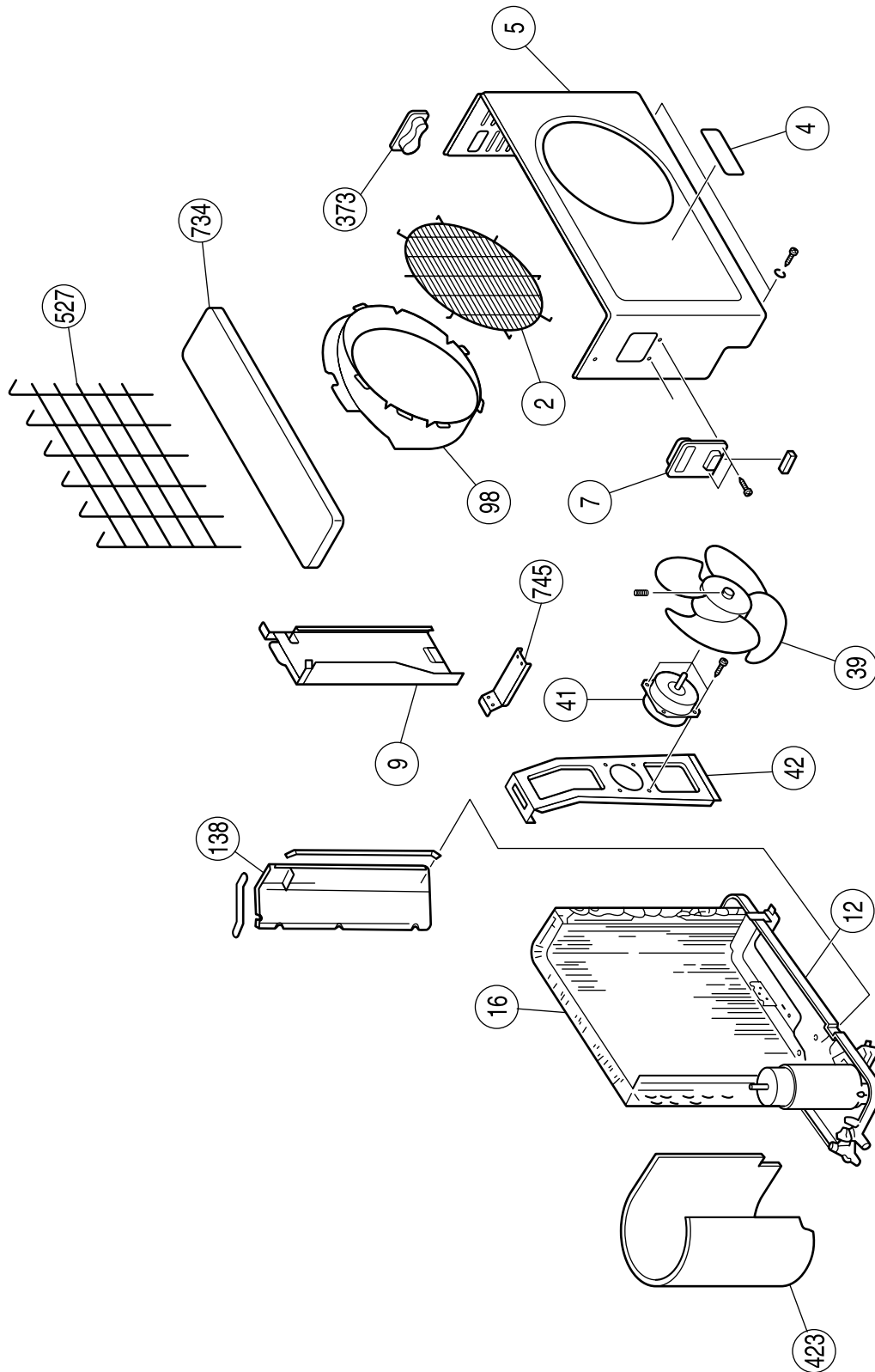
OUTDOOR UNIT

**CONTROLLER PCB ASSEMBLY
EZ-0004HUE-C
MAIN PCB**

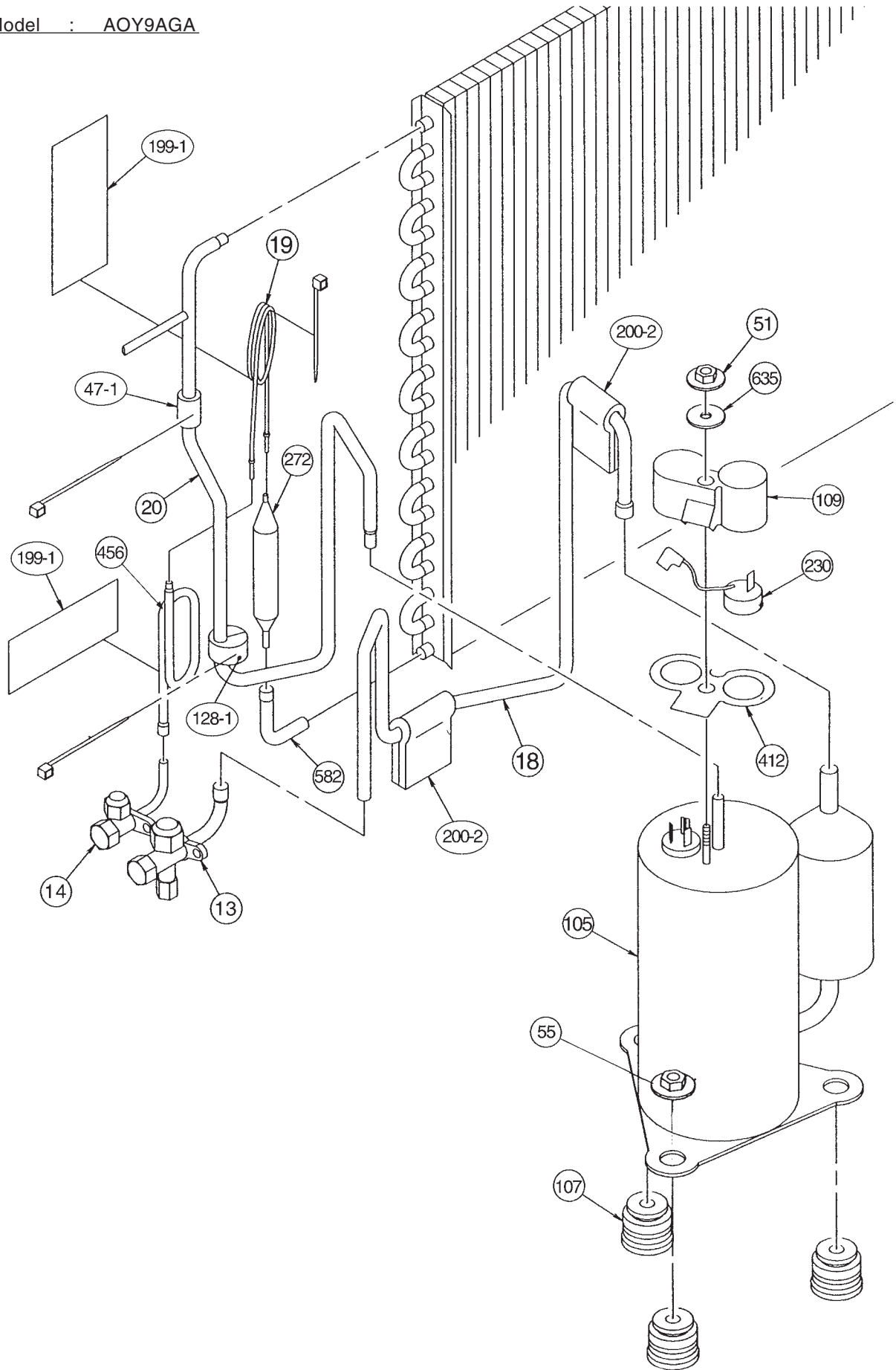


DISASSEMBLY ILLUSTRATION

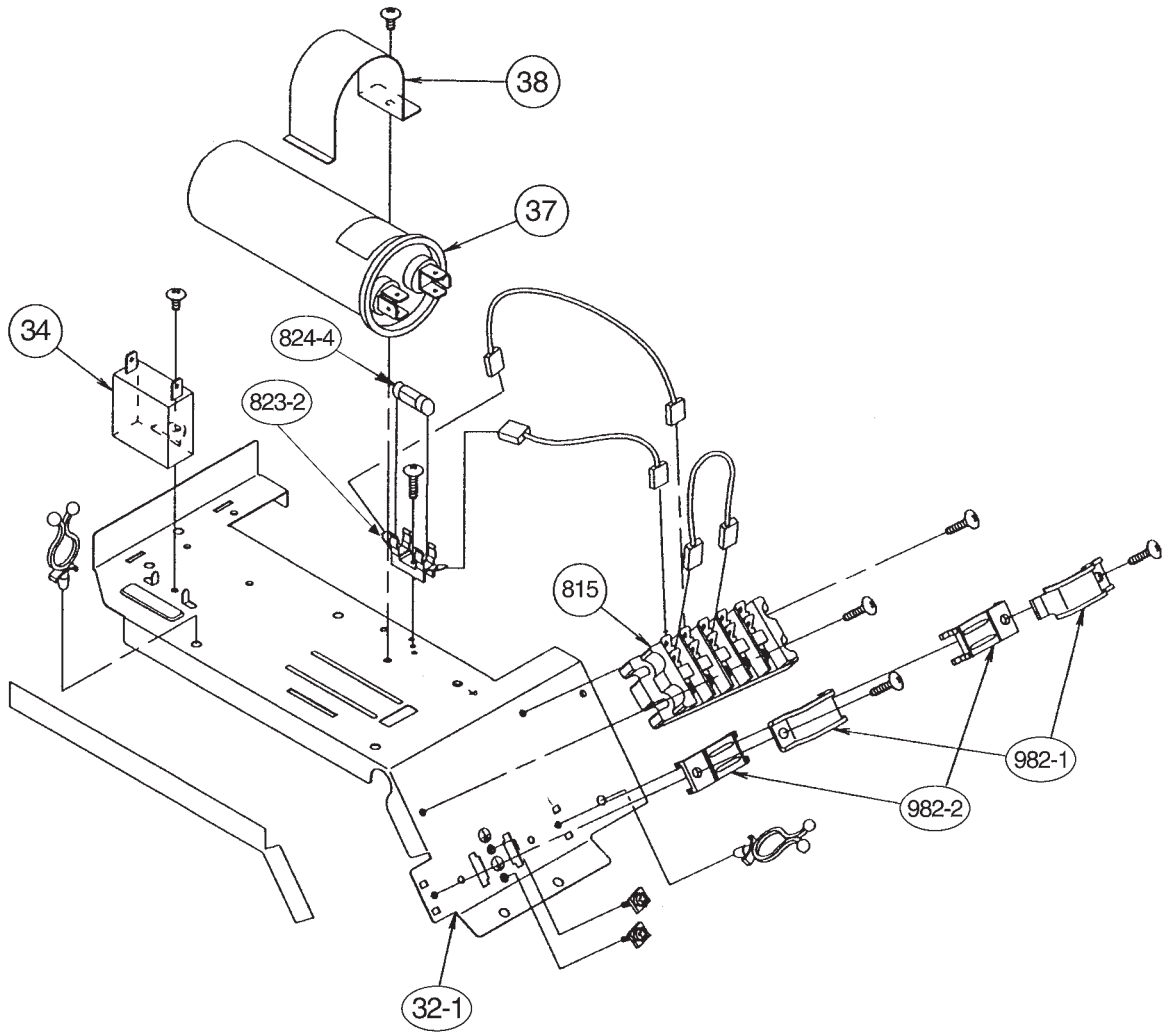
Model : AOY9AGA



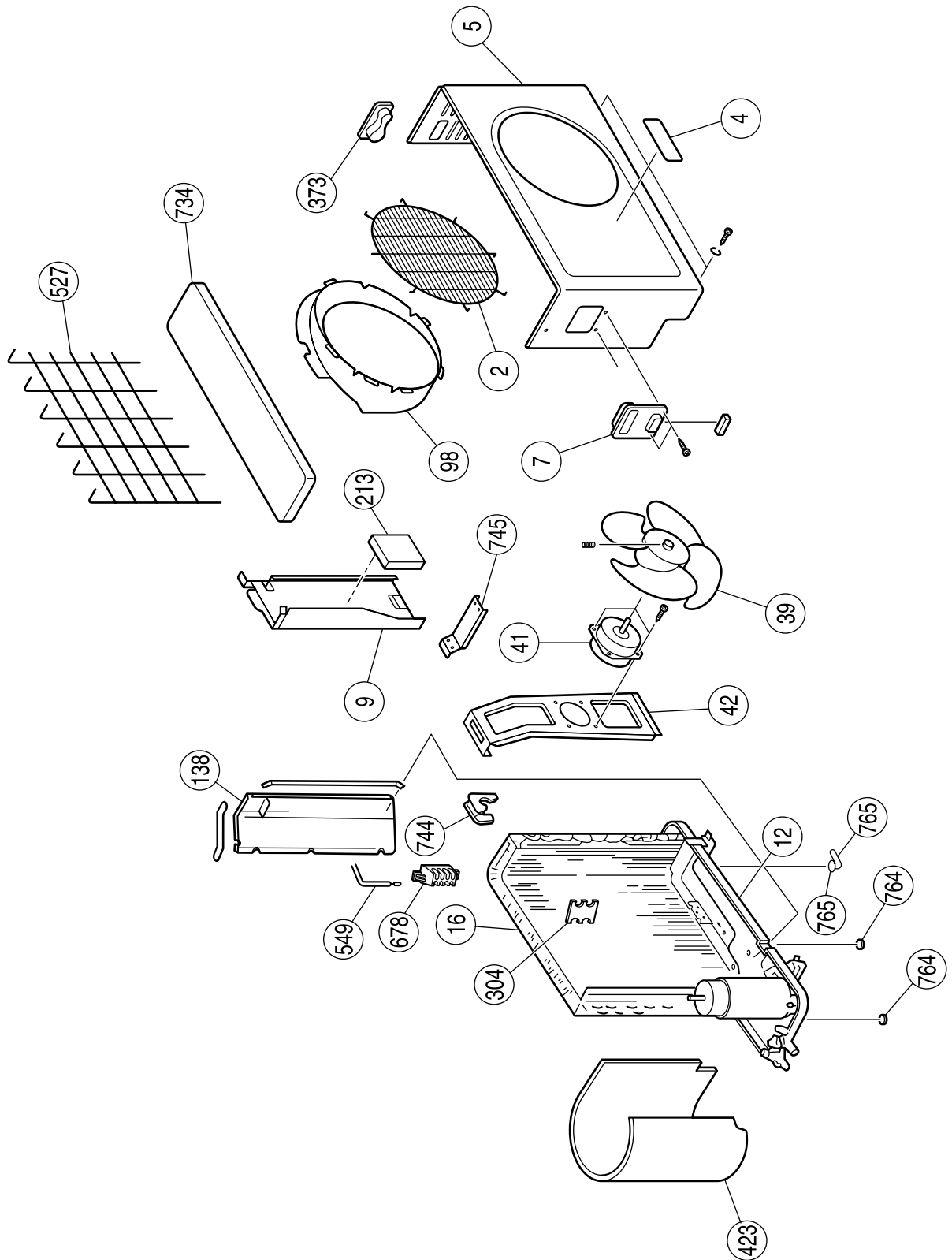
Model : AOY9AGA



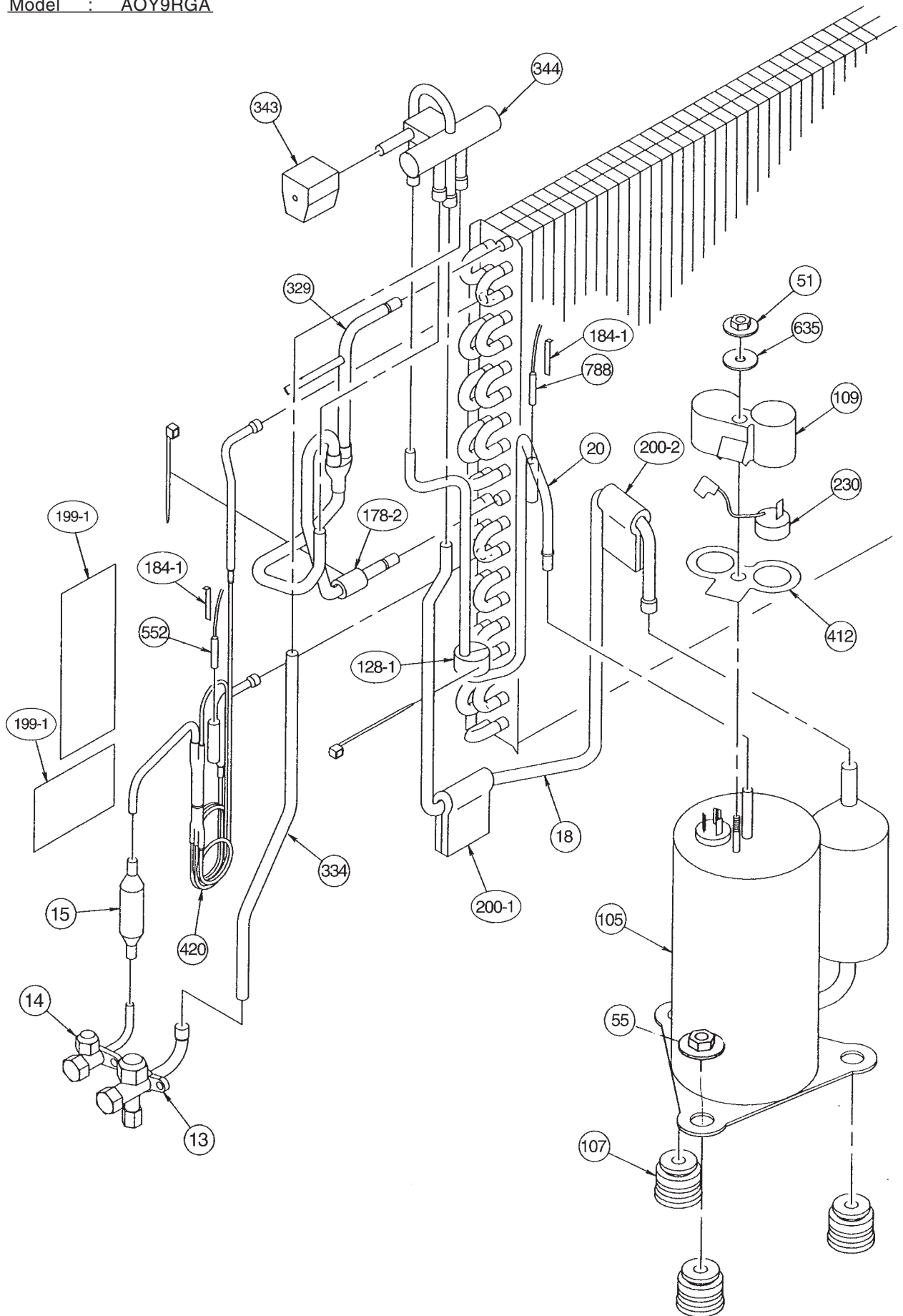
Model : AOY9AGA



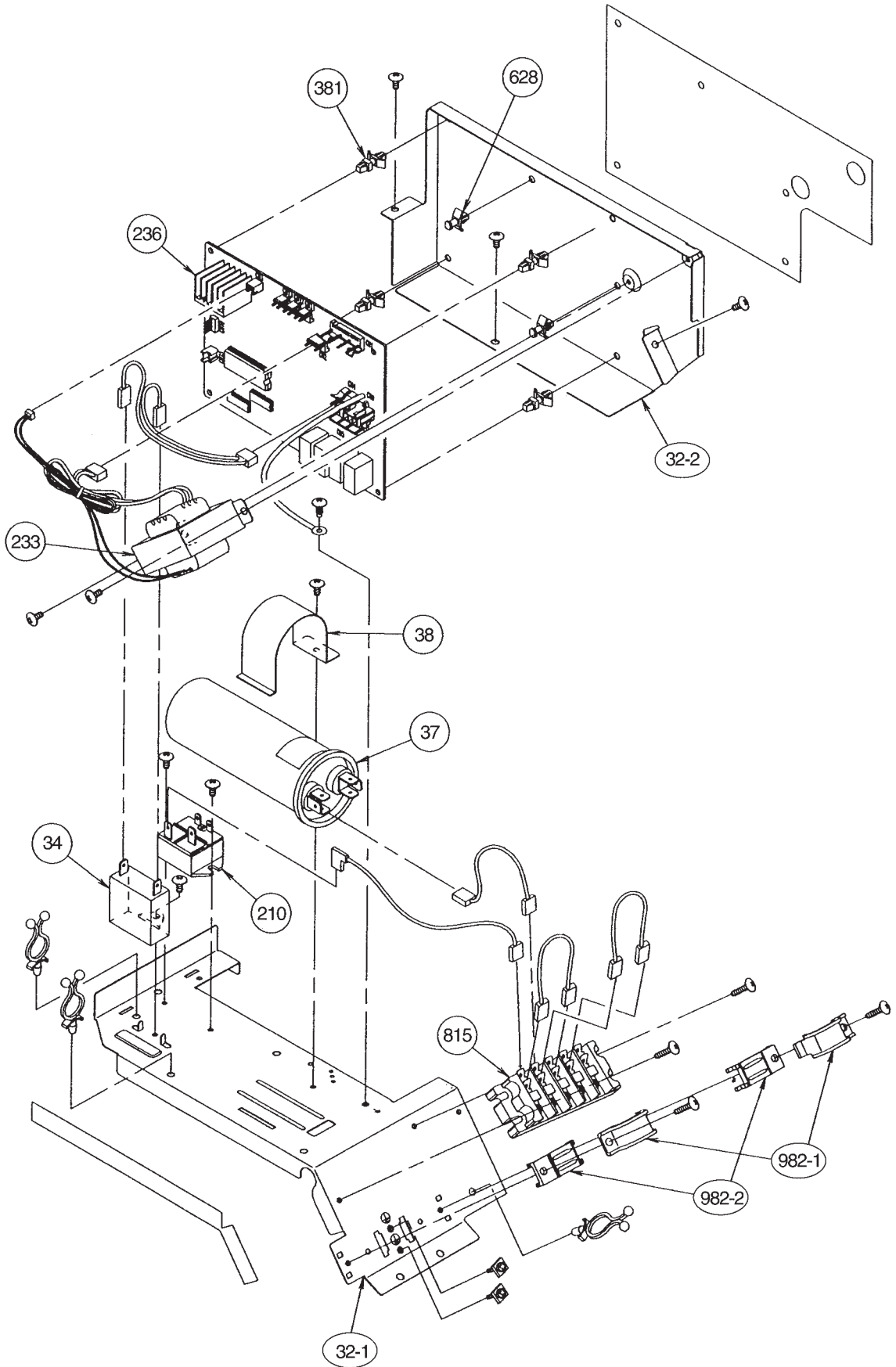
Model : AOY9RGA



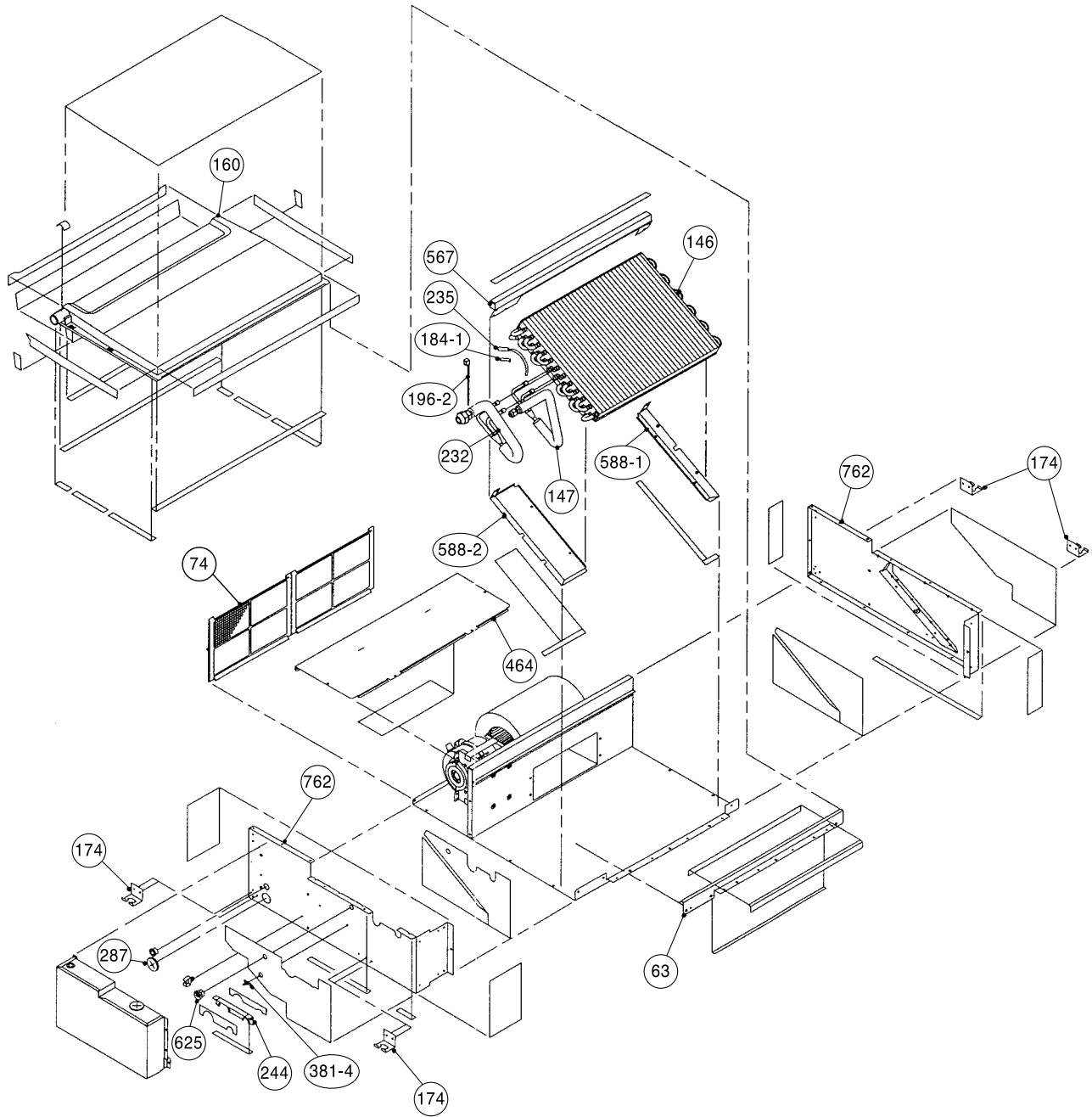
Model : AOY9RGA



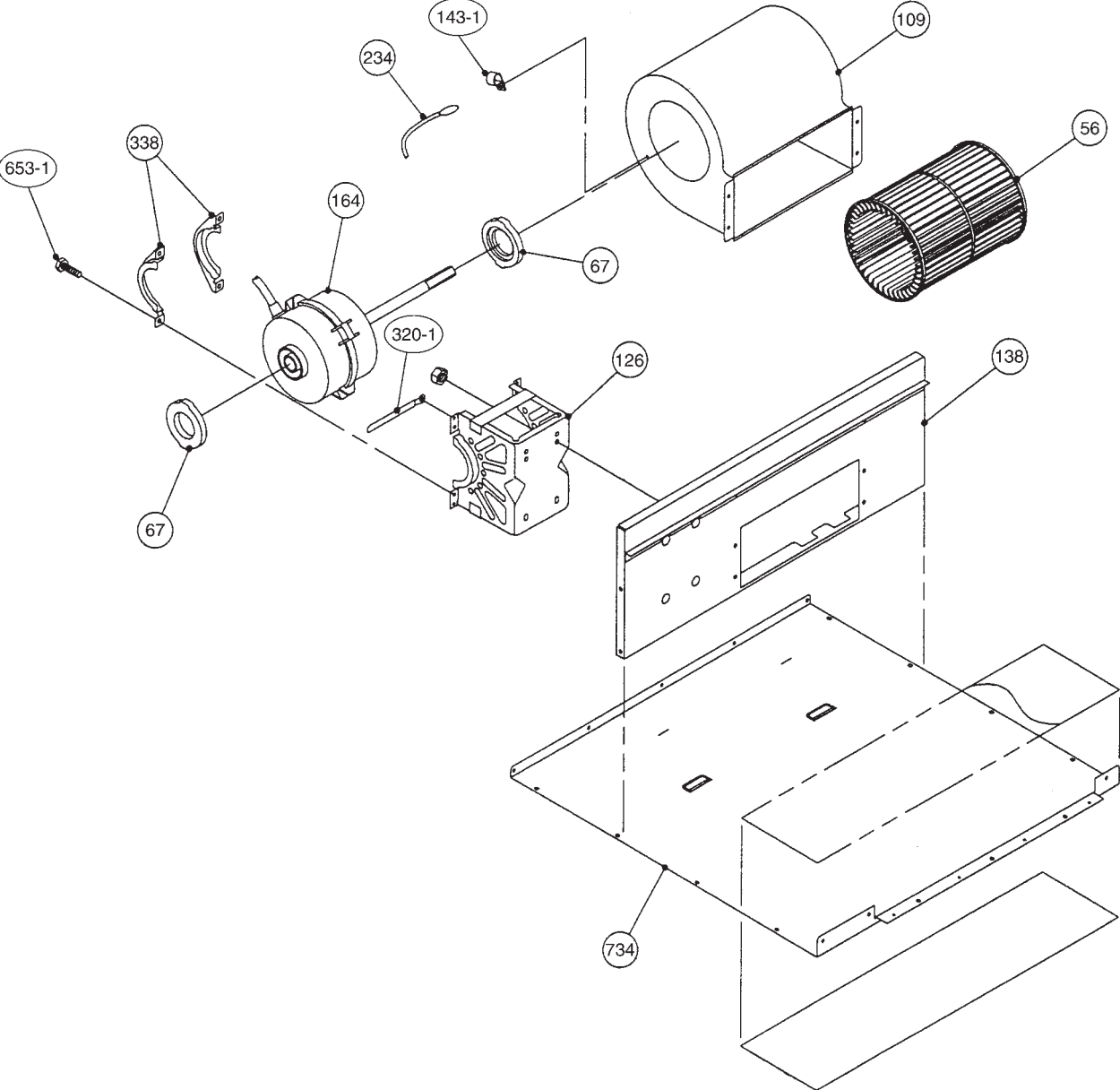
Model : AOY9RGA



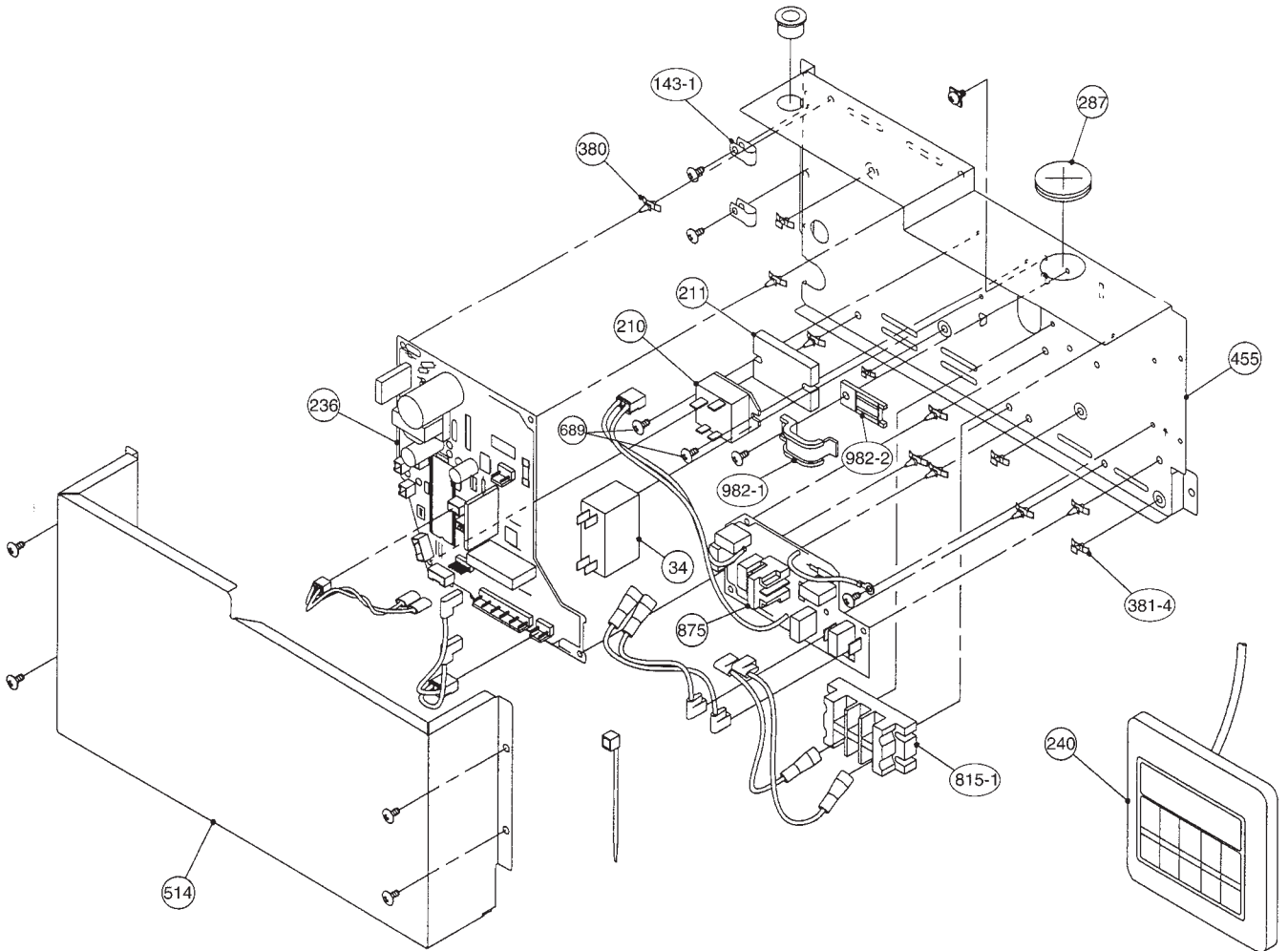
Model : ARY9ALB,ARY9RLB



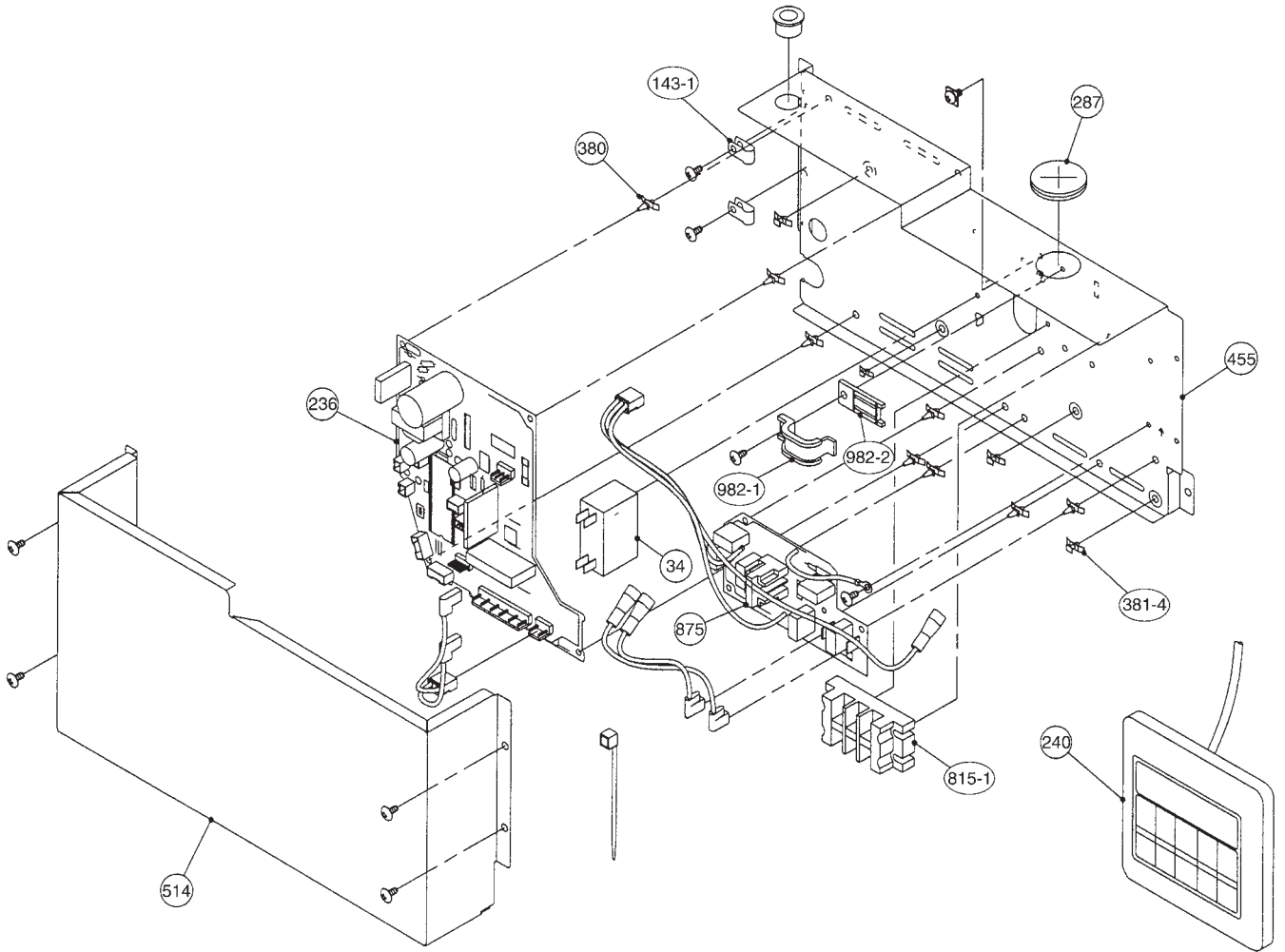
Models : ARY9ALB , ARY9RLB



Model : ARY9ALB



Model : ARY9RLB



PARTS LIST

When you order parts, please make a photocopy of this page and fill the number of the parts in the "Order" column.

INDOOR UNIT

| Ref. No. | Description | Part No. | | Order Q'ty | Ref. No. | Description | Part No. | | Order Q'ty |
|----------|--------------------------|--------------|--------------|------------|----------|-----------------------|--------------|--------------|------------|
| | | ARY9ALB | ARY9RLB | | | | ARY9ALB | ARY9RLB | |
| 34 | Capacitor (Fan Motor) | 9357965017 | 9357965017 | | 240 | Remote Control Unit | 9701673056 | 9701673049 | |
| 56 | Sirocco Fan Assy | 9358621004 | 9358621004 | | 244 | Cover (Piping) | 9363330007 | 9363330007 | |
| 63 | Panel Assy Front | 9363722000 | 9363722000 | | 287 | Cap (Power) | 9352173011 | 9352173011 | |
| 67 | Rubber (Vibration-proof) | 313659068604 | 313659068604 | | 320-1 | Wire Clamp Metal | 313483219905 | 313483219905 | |
| 74 | Filter | 9363326000 | 9363326000 | | 338 | Motor Fixture | 9358594001 | 9358594001 | |
| 109 | Casing Assy | 9363322002 | 9363322002 | | 380 | Locking Spacer | 313209391403 | 313209391403 | |
| 126 | Motor Fixing Table Assy | 9358591000 | 9358591000 | | 381-4 | Locking Spacer | 0600118075 | 0600118075 | |
| 138 | Separate Wall | 9356523003 | 9356523003 | | 455 | Control Box | 9363200003 | 9363200003 | |
| 143-1 | Clamp NK-3N | 313361274700 | 313361274700 | | 464 | Cover (Cabinet) | 9363325003 | 9363325003 | |
| 146 | Evaporator Assy | 9364456027 | 9364456027 | | 514 | Control Box Cover | 9363201000 | 9363201000 | |
| 147 | Inlet Pipe (Eva) Assy | 9363373004 | 9363373004 | | 567 | Support Plate (Eva.) | 9363323009 | 9363323009 | |
| 160 | Drain Pan | 9363324006 | 9363324006 | | 588-1 | Blacket Eva.R | 9363199000 | 9363199000 | |
| 164 | Fan Motor Assy | 9600778074 | 9600778074 | | 588-2 | Blacker Eva.L | 9363198003 | 9363198003 | |
| 174 | Hanger Bracket L | 9363195002 | 9363195002 | | 625 | Cord Bushing | 9359240006 | 9359240006 | |
| 184-1 | Thermo. Spring-A | 313728262708 | 313728262708 | | 653-1 | Bolt (F.Motor Fixing) | 0700156014 | 0700156014 | |
| | | | | | 689 | Screw. Grip Tapping | 9357837000 | - | |
| 196-2 | Clamp SKB-150 | 313035356905 | 313035356905 | | 734 | Panel Top | 9363408003 | 9363408003 | |
| 210 | Main Relay | 9356781007 | - | | 762 | Panel Side Assy (L) | 9363409000 | 9363409000 | |
| 211 | Cushion Rubber | 313806328306 | - | | 762 | Panel Side Assy (R) | 9363411003 | 9363411003 | |
| 232 | Outlet Pipe (Eva) Assy | 9363387001 | 9363387001 | | 815-1 | Terminal-3P | 9356488005 | 9356488005 | |
| 234 | Thermistor Assy-Room | 9703299063 | 9703299063 | | 875 | Filter PCB Assy | 9703611018 | 9703583018 | |
| 235 | Thermistor Assy-Pipe | 9703297052 | 9703297052 | | 982-1 | Cord Clamp | 9356857009 | 9356857009 | |
| 236 | Controller PCB Assy | 9703582035 | 9703582028 | | 982-2 | Cord Clamp-B | 9356858006 | 9356858006 | |

OUTDOOR UNIT

| Ref. No. | Description | Part No. | | Order Q'ty | Ref. No. | Description | Part No. | | Order Q'ty |
|----------|----------------------------|--------------|--------------|------------|----------|-----------------------|--------------|--------------|------------|
| | | AOY9AGA | AOY9RGA | | | | AOY9AGA | AOY9RGA | |
| 2 | Fan Cover | 9304109006 | 9304109006 | | 210 | Main Relay | - | 9356781007 | |
| 4 | Emblem-Rear | 9351355005 | 9351355005 | | 213 | Noise Insulation-B | - | 313584258005 | |
| 5 | Cabinet-A, Painted | 9302936017 | 9302936017 | | 230 | Overload Relay | 9359927013 | 9359927013 | |
| 7 | Connector Cover | 9357970004 | 9357970004 | | 233 | Power Transformer | - | 9701549016 | |
| 9 | Cabinet-B, Painted | 9302935010 | 9303744017 | | 236 | Controller PCB Assy | - | 9703572012 | |
| 12 | Base Assy, Painted | 9354493032 | 9354493032 | | 272 | Strainer | 9357309002 | - | |
| 13 | 3-Way Valve | 9356494006 | 9356494006 | | 304 | Thermostat Fixture-B | - | 313349051500 | |
| 14 | 2-Way Valve | 9364615004 | 9364615004 | | 329 | Joint Pipe Assy | - | 9364458007 | |
| 15 | Dryer | - | 313523082505 | | 334 | Suction Pipe-B | - | 9351186012 | |
| 16 | Condenser Assy | 9354494015 | 9364547008 | | 343 | Solenoid Coil | - | 9359616122 | |
| 18 | Suction Pipe | 9364486000 | 9363474008 | | 344 | 4-Way Valve | - | 313947302811 | |
| 19 | Capillary Tube | 9365091005 | - | | 373 | Grip | 313166178700 | 313166178700 | |
| 20 | Discharge Pipe Assy | 9364484006 | 9364538006 | | 381 | Locking Spacer | - | 313209391506 | |
| 32-1 | Control Box Metal-A | 9363406009 | 9363406009 | | 412 | Terminal Gasket | 9362004008 | 9362004008 | |
| 32-2 | Control Box Metal-B | - | 9363407006 | | 420 | Capillary Assy | - | 9363412000 | |
| 34 | Capacitor (Fan Motor) | 9700468080 | 9700468080 | | 423 | Noise Insulation-F | 9350944019 | 9350944019 | |
| 37 | Running Capacitor | 9356386066 | 9356386066 | | 456 | Pipe-A | 9352267017 | - | |
| 38 | Capacitor Clamp | 313468061808 | 313468061808 | | 527 | Protection Net | 9355434003 | 9355444002 | |
| 39 | Propeller Fan Assy | 9351589011 | 9351589011 | | 549 | Thermostat Assy-Outer | - | 9357328027 | |
| 41 | Fan Motor Assy-Out | 9600649060 | 9600649107 | | 552 | Thermistor Assy | - | 9701330034 | |
| 42 | Bracket (Motor) | 313166243804 | 313166243804 | | 582 | Discharge Pipe-F | 9301425017 | - | |
| 47-1 | Rubber (Discha.Pipe) | 313194159807 | - | | 628 | Locking Spacer-B | - | 313005446658 | |
| 51 | Special Nut | 9359430018 | 9359430018 | | 635 | Terminal Washer | 9359428015 | 9359428015 | |
| 55 | Special Nut M8 (For Comp.) | 9355091008 | 9355091008 | | 678 | Bracket (Thermistor) | - | 313557406106 | |
| 98 | Fan Ring | 313166296109 | 313166296109 | | 734 | Cabinet Top Plate | 9302937014 | 9302937014 | |
| 105 | Compressor Assy | 9364555003 | 9364555003 | | 744 | Clamp (Condenser) | - | 313166374106 | |
| 107 | Rubber Seat-A (For Comp.) | 9359425014 | 9359425014 | | 745 | Motor Support | 313166036308 | 313166036308 | |
| 108 | Sleeve-A (For Comp.) | 313696081700 | 313696081700 | | 764 | Drain Cap | - | 313166024302 | |
| 109 | Terminal Cover (For Comp.) | 9363263008 | 9363263008 | | 765 | Drain Pipe (L-Type) | - | 9301102000 | |
| 128-1 | Rubber (Discharge Pipe) | 313155086308 | 313155086308 | | 766 | Drain Pipe Packing | - | 9301143003 | |
| 138 | Separate Wall | 9300672016 | 9303729014 | | 788 | Thermistor-Discharge | - | 9358337011 | |
| 178-2 | Capillary Holder Rubber | - | 313394274808 | | 815 | Terminal-5P | 9356497021 | 9356497021 | |
| 184-1 | Thermo. Spring-A | - | 313728262708 | | 823-2 | Fuse Holder | 0500063024 | - | |
| 199-1 | BR Sheet | 313612108209 | 313612108209 | | 824-4 | Fuse | 0600225229 | - | |
| 200-1 | BR Sheet-B | - | 9351990022 | | 982-1 | Cord Clamp | 9356857009 | 9356857009 | |
| 200-2 | BR Sheer-B | 9351990039 | 9351990039 | | 982-2 | Cord Clamp-C | 9359677000 | 9359677000 | |

[INDOOR P.C.B.]
CONTROLLER PCB ASSEMBLY(Ref.No.236)

When you order parts, please make a photocopy of this page
and fill the number of the parts in the "Order" column.

| Ref. No. | Description | Part No. | Order Q'ty | Ref. No. | Description | Part No. | Order Q'ty |
|---|--|------------|------------|---------------------------|------------------------------------|------------|------------|
| IC1 | IC μ PD78014HCW-027 | 9703514012 | | R63 | Res. 1/10W 15.4k Ω \pm 1% | 0200279565 | |
| IC2 | IC NJM7812FA | 0100462104 | | R64 | Res. 1/10W 28.0k Ω \pm 1% | 0201114445 | |
| IC3 | IC NJM7805FA | 0100462081 | | CJ1,2 | Res. 0 Ω | 0200212012 | |
| IC5,6 | IC μ PA2003GR | 0100028041 | | JM9 | Res. 0 Ω | 0200230016 | |
| IC7 | IC BR93LC46RF-E2 | 0100295016 | | C5 | Cap. Elec. 450V 100 μ F | 0300256060 | |
| IC8 | IC PST600CMTR | 0101461120 | | C6 | Cap. Plastic. 4700pF | 0300269091 | |
| IC9 | Photocoupler TLP621(D4)-GB | 0000117074 | | C7 | Cap. Plastic. 50V 0.047 μ F | 0300169339 | |
| IC11 | IC BA10358FE2 | 0101846071 | | C8 | Cap. Elec. 25V 100 μ F | 0301197560 | |
| Q1 | Xstr 2SC4236 | 0000164047 | | C9 | Cap. Elec. 25V1000 μ F | 0301196495 | |
| Q2 | Xstr 2SC1815 | 0000002011 | | C10,11,33,36 | Cap. Elec. 25V 10 μ F | 0301192312 | |
| Q3,4 | Xstr DTC124EKA | 0000936033 | | C12 | Cap. Elec. 25V 1000 μ F | 0301158264 | |
| Q5,6 | Xstr 2SC2712 | 0000781053 | | C13,15,34, 37,39,44,45 | Cap. Ceramic 50V 0.1 μ F | 0300311752 | |
| D1 | Diode D3SB60 | 0000689045 | | C14 | Cap. Elec. 25V 100 μ F | 0301192350 | |
| D2,4,7 | Diode D1FL20U | 0000746519 | | C16~31,38, 40,46,49 | Cap. Ceramic 50V 0.01 μ F | 0300311738 | |
| D3 | Diode MTZJ5.1B | 0000852166 | | C32,35, 50~53 | Cap. Ceramic 50V 1000pF \pm 10% | 0300308509 | |
| D5 | Diode 1SR139-600 | 0000353120 | | C54 | Cap. Ceramic 0.01 μ F | 0300209127 | |
| D6 | Diode D2FL20U | 0000906500 | | K1~4 | Relay JQ1-12V | 9701316014 | |
| D8 | Diode D1F60 | 0000208024 | | SSR1 | Relay G3M-202P-UTU | 9701829019 | |
| D9,10 | Diode DA226U | 0000625036 | | SW1 | Switch, Slide DSS803 | 9701392018 | |
| D12 | Diode DAN202K | 0000684019 | | SW2 | Switch, Rotary DRS4016-5 | 9701694013 | |
| R1 | Res. Cement 5W 3.3 Ω \pm 10% | 0200153148 | | CR1 | CR Absorber RPEL-121204-C | 9701125012 | |
| R2 | Res. Metal 2W 1.5 Ω \pm 5% | 0201107119 | | T1 | Switching Transformer ETS28AS118AH | 9702727017 | |
| R3 | Res. 1/10W 100 Ω \pm 5% | 0200212500 | | L2~4 | EMI Filter EXCEMT103DT | 0400406396 | |
| R4 | Res. Carbon SPRX1 220k Ω \pm 5% | 0200111353 | | X1 | Ceramic Resonator EFOEC8384T4 | 9701261017 | |
| R5 | Res. Metal 2W 47 Ω \pm 5% | 0201107652 | | JM2~4,6 | Wire 0.6 dia, L=10mm | 9700025016 | |
| R6 | Res. 1/2W 100 Ω \pm 5% | 0200731506 | | CN1 | Plug, PCB 5-1123724-2 | 0501321574 | |
| R7 | Res. 1/4W 330 Ω \pm 5% | 0200708621 | | CN4 | Plug, PCB 2-1123724-2 | 0501321529 | |
| R8,10,13,15-17, 21-24,29-32,37, 39,48,50,52,55, 59,60,61,66,68 | Res. 1/10W 10k Ω \pm 5% | 0200213019 | | CN5 | Plug, PCB 5430C063 | 0500957026 | |
| R9,47,65 | Res. 1/10W 390 Ω \pm 5% | 0200212647 | | CN6 | Plug, PCB 3-1123724-2 | 0501321536 | |
| R11 | Res. Metal 1W 56 Ω \pm 5% | 0201106662 | | CN7 | Plug, PCB B2B-XAKK-1-A | 0501045227 | |
| R12,16-20,25-28, 33-36,38,42,44, 46,69,51,56,67 | Res. 1/10W 1k Ω \pm 5% | 0200212746 | | CN8 | Plug, PCB B2B-XASK-1-A | 0501045012 | |
| R40,41,62 | Res. 1/10W 4.7k Ω \pm 5% | 0200212906 | | CN9 | Plug, PCB B5P-SHF-1AA | 0500006069 | |
| R43 | Res. 1/10W 10k Ω \pm 1% | 0200279497 | | CN12 | Plug, PCB B3B-XASK-1-A | 0501045029 | |
| R45 | Res. 1/10W 49.9k Ω \pm 1% | 0200279824 | | CN14 | Plug, PCB B4B-XH-AM | 0500005314 | |
| | | | | CN15 | Plug, PCB B3B-XARK-1-A | 0501045319 | |
| | | | | CN17 | Plug, PCB B3B-XAKK-1-A | 0501045357 | |






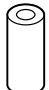
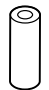




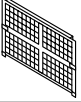
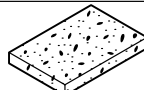
[INDOOR P.C.B.]
FILTER PCB ASSEMBLY(Ref. No.875)

| Ref. No. | Description | Part No. | Order Q'ty | Ref. No. | Description | Part No. | Order Q'ty |
|-----------|---------------------------|------------|------------|----------|----------------------------|------------|------------|
| VA101,102 | Varistor TNR12G471K | 0000038010 | | C105,106 | Cap. Plastic 0.022 μ F | 0301052098 | |
| SA101 | Arrester DSA-362MA-05 | 0600168032 | | LF101 | EMI Filter ELF17N015A | 0400197119 | |
| TM101,102 | Plug Contact 86028 | 0500536016 | | W103,104 | Wire AWG18 2P | 9702419035 | |
| F101 | Fuse 2183.15 | 0600285210 | | E101 | Wire w/Terminal GRN L=100 | 9702313012 | |
| C101,102 | Cap. Plastic 0.22 μ F | 0300304099 | | FH1,2 | Fuse Holder PFC5000-0502 | 0500158072 | |





[OUTDOOR P.C.B.]
CONTROLLER PCB ASSEMBLY(Ref.No.236)

| Ref. No. | Description | Part No. | Order Q'ty | Ref. No. | Description | Part No. | Order Q'ty |
|------------------------------------|------------------------------------|------------|------------|--------------------|-------------------------------|------------|------------|
| IC1 | IC μ PD78081CU-011 | 9701721016 | | C9-11,14- 16,30 | Cap. Ceramic 50V 0.01 μ F | 0300013113 | |
| IC2 | IC HU2001 | 9701651016 | | C17 | Cap. Elec. 25V 100 μ F | 0300051375 | |
| IC3 | IC PCT600D-2-TP | 0101461113 | | C20,23,26, 35 | Cap. Ceramic 50V 1000pF | 0300011096 | |
| IC4 | IC NJM7805FA | 0100462081 | | C33 | Cap. Elec. 25V 2200 μ F | 0300915417 | |
| IC5,6 | IC BA12003 | 0101650012 | | F1 | Fuse 2183.15 | 0600285210 | |
| RC1 | RC Module ARCL14FS | 0200301020 | | FH1,2 | Fuse Holder PFC5000-0502 | 0500158072 | |
| Q1 | Xstr 2SD880 | 0000001014 | | SA1 | Arrester DSA-362MA-05 | 0600168032 | |
| Q2,3 | Xstr DTC124ES | 0000517010 | | K1~3 | Relay JQ1-12V | 9701316014 | |
| D1 | Diode D2SB20 | 0000599023 | | CR1,3 | Network RPEL-121204 | 9701125012 | |
| D2 | Diode MTZJ15C | 0000852203 | | L1 | EMI Filter SU16VF-15030 | 0400134114 | |
| D3~5 | Diode 1SR139-400 | 0000353137 | | VA1,4 | Varistor TNR12G471K | 0000038010 | |
| D6 | Diode 1SS133 | 0000572019 | | HT1 | Heat Sink PUG26-25 | 9701428014 | |
| LED1,2 | Diode SLR-325VC | 0000813259 | | X1 | X'tal Resonator EFOEC5004T | 9701261024 | |
| R1,2 | Res. Carbon 5.6k Ω \pm 5% | 0200994192 | | CN1 | Plug, PCB 53406-9110 | 0500951086 | |
| R3,6,10-12, 14,16,18, 20,24 | Res. Carbon 1k Ω \pm 5% | 0200994017 | | CN2 | Plug, PCB B2P3-VH-B-R | 0500011766 | |
| R4,26 | Res. Carbon 4.7k Ω \pm 5% | 0200994178 | | CN3 | Plug, PCB B2B-XH-AM | 0500005321 | |
| R5,7-9,13, 21-23,25 | Res. Carbon 10k Ω \pm 5% | 0200994253 | | CN4 | Plug, PCB 53331-0210 | 0501033019 | |
| R15,17 | Res. Metal 14k Ω \pm 1% | 0201028612 | | CN5 | Plug, PCB B4P7-VH-B | 0500011742 | |
| R19 | Res. Metal 6.65k Ω \pm 1% | 0201028766 | | CN9 | Plug, PCB 179844-1 | 0501121013 | |
| C1,4 | Cap. Plastic 250V 0.1 μ F | 0300894835 | | CN10 | Plug, PCB B4P-SHF-1AA | 0500006038 | |
| C2,3 | Cap. Ceramic 50V 4700pF | 0300727546 | | CN11 | Plug, PCB B2P-VH-B | 0500011124 | |
| C5 | Cap. Elec. 50V 2200 μ F | 0301206026 | | CN12 | Plug, PCB B2P-VH-B-C | 0500011568 | |
| C6,7,21, 24,27 | Cap. Elec. 25V 10 μ F | 0300004258 | | CN13 | Plug, PCB B2P-VH-B-R | 0500011148 | |
| C8,18,19, 22,25,28, 29,34,36 | Cap. Ceramic 0.1 μ F | 0300988251 | | CN15 | Plug, PCB B2B-XASK-1-A | 0501045012 | |
| | | | | E | Wire w/Terminal L=210 GRN | 9701325016 | |

INDOOR UNIT ACCESSORIES

| Name and Shape | Q' ty | Application | ARY9ALB | ARY9RLB |
|--|--------------|--|--------------|---------------|
| Installation template  | 1 | For positioning the indoor unit | 9364224008 | 9364224008 |
| Hook metal  | 4 | For suspending the indoor unit from ceiling | 9363195002 | 9363195002 |
| Tapping screw (#4 x 10)  | 8 | For installing the hanger | 301171164104 | 301171164104 |
| Special nut A (large flange)  | 4 | For suspending the indoor unit from ceiling | 313005446653 | 3113005446653 |
| Special nut B (small flange)  | 4 | | 313005446759 | 313005446759 |
| Coupler heat insulation (large)  | 1 | For indoor side pipe joint (large pipe) | 9350716029 | 9350716029 |
| Coupler heat insulation (small)  | 1 | For indoor side pipe joint (small pipe) | 9352766015 | 9352766015 |
| Binder  | (Small) 1 | For remote controller and remote controller cord binding | 313361275805 | 313361275805 |
| | (Large) 4 | For fixing the coupler heat insulation | 312300787605 | 312300787605 |
| Remote control unit  | 1 | | 9701673056 | 9701673049 |
| Remote controller cord clamp  | 10 | For installing the remote controller cord | 313714181904 | 313714181904 |
| Tapping screw (flush heads)  | 10 | For installing the remote controller cord clamp | 301141153027 | 301141153027 |
| Filter  | 2 | | 9363326000 | 9363326000 |
| Drain hose insulation  | 1 | Insulates the drain hose and vinyl hose connection | 313806217708 | 313806217708 |

OUTDOOR UNIT ACCESSORIES

| Name and Shape | Q' ty | Application | AOY9AGA | AOY9RGA |
|---|-------|--|------------|--------------|
| Hexagon wrench  | 1 | For vacuum | 9351228019 | 9351228019 |
| Drain pipe packing  | 1 | For outdoor unit drain piping work (May not be supplied, depending on the model) | ————— | 9301143003 |
| Drain pipe  | 1 | | ————— | 9301102000 |
| Cap (drain)  | 2 | | ————— | 313166024302 |