

SPLIT TYPE  
 ROOM AIR CONDITIONER  
 FLOOR CONSOLE /  
 UNDER CEILING  
 DUAL type

# SERVICE MANUAL



Models	Indoor unit	Outdoor unit
	ABY14FBBJ	AOY14FSDJ
	ABY14UBBJ	AOY14USDJL
	ABY18FBBJ	AOY18FNBK
	ABY18UBBJ	AOY18UNBKL
	ABY24FBBJ	AOY24FNBK
	ABY24UBBJ	AOY24UNBKL

## CONTENTS

SPECIFICATIONS .....	1
OUTLINE AND DIMENSIONS .....	3
REFRIGERANT SYSTEM DIAGRAM .....	5
CIRCUIT DIAGRAM .....	8
ERROR DISPLAY .....	12
PCB CIRCUIT DIAGRAM .....	13
DISASSEMBLY ILLUSTRATION (Indoor Unit) .....	15
DISASSEMBLY ILLUSTRATION (Outdoor Unit) .....	22
PARTS LIST (Indoor Unit) .....	31
PARTS LIST (Outdoor Unit) .....	33

# SPECIFICATIONS

TYPE	Cool		
INDOOR UNIT	ABY14FBBJ	ABY18FBBJ	ABY24FBBJ
OUTDOOR UNIT	AOY14FSDJ	AOY18FNBK	AOY24FNBK
COOLING CAPACITY (kW)	4.20	5.40	6.50

## ELECTRICAL DATA

POWER SOURCE (V)	230		
FREQUENCY (Hz)	50		
RUNNING CURRENT (A)	6.3	8.5	11.0
INPUT WATTS (kW)	1.39	1.92	2.45
E.E.R. (kW/kW)	3.02	2.81	2.65
MOISTURE REMOVAL (ℓ /hr)	1.5	2.0	2.5
AIR CIRCULATION-Hi (m <sup>3</sup> /hr)	640	780	880

## COMPRESSOR

TYPE	Hermetic type, Deposit electrode condenser, 2 poles. Single phase, Induction motor, Rotary		
DISCRIMINATION	802 360 35(B)	5KS225DAC	5JS290DAA
REFRIGERANT R410A (g)	900	900	1,550

## FAN MOTOR

POWER SOURCE (V)	230			
INDOOR UNIT	DISCRIMINATION	MFA-14JTT	MFA-18JTT	MFA-24JTT
	HI-SPEED (r.p.m.)	850	1,030	1,180
	MED-SPEED (r.p.m.)	760	890	1,040
	LO-SPEED (r.p.m.)	670	770	900
OUTDOOR UNIT	DISCRIMINATION	MFB-14VTT	MFB-24JTT	
	HI- SPEED (r.p.m.)	740	780	

## DIMENSIONS

INDOOR UNIT	H x W x D (mm)	199 x 990 x 655	
OUTDOOR UNIT	H x W x D (mm)	530 x 750 x 250	650 x 830 x 320

## WEIGHT

INDOOR UNIT	GROSS / NET (kg)	37 / 28		
OUTDOOR UNIT	GROSS / NET (kg)	37 / 35	51 / 47	62 / 58

## REFRIGERANT CHARGE (R410A)

PIPE LENGTH		7.5 m (25 ft)	10 m (33 ft)	15 m (49 ft)	20 m (66 ft)	Additional refrigerant
FULL CHARGE AMOUNT	ABY14FBBJ	900 g (31.8oz)	938 g (33.1oz)	1,013 g (35.7oz)	-	15g (0.53oz) / 1m (3.3ft) (over 7.5m)
	ABY18FBBJ	900 g (31.8oz)	950 g (33.5oz)	1,050 g (37.0oz)	1,150 g (40.6oz)	20g (0.71oz) / 1m (3.3ft) (over 7.5m)
	ABY24FBBJ	1,550 g (54.7oz)	1,600 g (56.4oz)	1,700 g (60.0oz)	1,800 g (63.5oz)	

<b>TYPE</b>	Cool and Heat		
<b>INDOOR UNIT</b>	<b>ABY14UBBJ</b>	<b>ABY18UBBJ</b>	<b>ABY24UBBL</b>
<b>OUTDOOR UNIT</b>	<b>AOY14USDJL</b>	<b>AOY18UNBKL</b>	<b>AOY24UNBKL</b>
<b>COOLING CAPACITY</b> (kW)	4.00	5.40	6.50
<b>HEATING CAPACITY</b> (kW)	4.70	6.00	7.40

#### ELECTRICAL DATA

<b>POWER SOURCE</b> (V)	230		
<b>FREQUENCY</b> (Hz)	50		
<b>RUNNING CURRENT (Cool)</b> (A)	6.3	8.6	10.8
<b>RUNNING CURRENT (Heat)</b> (A)	6.0	8.3	10.3
<b>INPUT WATTS (Cool)</b> (kW)	1.42	1.90	2.42
<b>INPUT WATTS (Heat)</b> (kW)	1.35	1.85	2.30
<b>E.E.R. (Cool)</b> (kW/kW)	2.82	2.84	2.69
<b>E.E.R. (Heat)</b> (kW/kW)	3.48	3.24	3.22
<b>MOISTURE REMOVAL</b> (ℓ /hr)	1.5	2.0	2.5
<b>AIR CIRCULATION-HI</b> (m <sup>3</sup> /hr)	640	780	880

#### COMPRESSOR

<b>TYPE</b>	Hermetic type, Deposit electrode condenser, 2 poles. Single phase, Induction motor, Rotary		
<b>DISCRIMINATION</b>	802 360 35(B)	5KS225DAC	5JS290DAA
<b>REFRIGERANT</b> R410A (g)	1,000	1,550	1,700

#### FAN MOTOR

<b>POWER SOURCE</b> (V)	230			
<b>INDOOR UNIT</b>	<b>DISCRIMINATION</b>	MFA-14JTT	MFA-18JTT	MFA-24JTT
	<b>HI-SPEED</b> (r.p.m.)	850	1,030	1,180
	<b>MED-SPEED</b> (r.p.m.)	760	890	1,040
	<b>LO-SPEED</b> (r.p.m.)	670	770	900
<b>OUTDOOR UNIT</b>	<b>DISCRIMINATION</b>	MFB-14NTT	MFB-24JTBT	
	<b>HI-SPEED</b> (r.p.m.)	740	780	
	<b>LO-SPEED</b> (r.p.m.)	440	400	

#### DIMENSIONS

<b>INDOOR UNIT</b> H x W x D (mm)	199 x 990 x 655		
<b>OUTDOOR UNIT</b> H x W x D (mm)	530 x 750 x 250	650 x 830 x 320	

#### WEIGHT

<b>INDOOR UNIT</b> GROSS / NET (kg)	37 / 28		
<b>OUTDOOR UNIT</b> GROSS / NET (kg)	37 / 35	56 / 52	63 / 59

#### REFRIGERANT CHARGE (R410A)

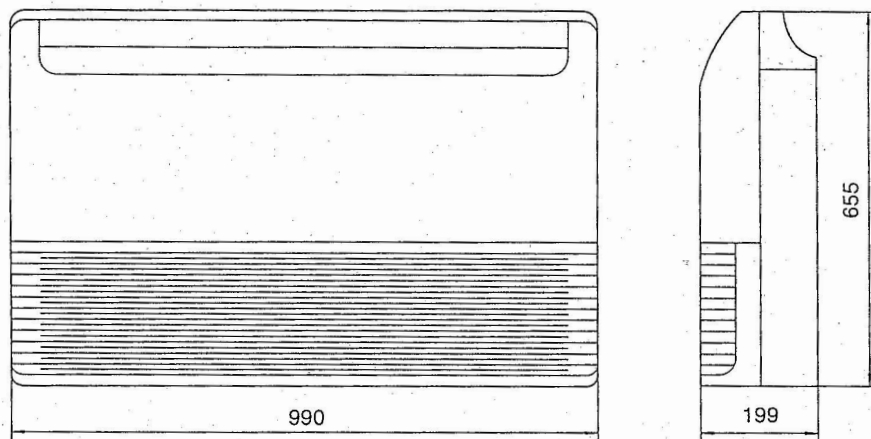
		PIPE LENGTH				Additional refrigerant
		7.5 m (25 ft)	10 m (33 ft)	15 m (49 ft)	20 m (66 ft)	
<b>FULL CHARGE AMOUNT</b>	<b>ABY14UBBJ</b>	1,000 g (35.3oz)	1,038 g (36.6oz)	1,113 g (39.3oz)	-	15g (0.53oz) / 1m (3.3ft) (over 7.5m)
	<b>ABY18UBBJ</b>	1,550 g (54.7oz)	1,600 g (54.6oz)	1,700 g (60.0oz)	1,800 g (63.5oz)	20g (0.71oz) / 1m (3.3ft) (over 7.5m)
	<b>ABY24UBBJ</b>	1,700g (60.0oz)	1,800 g (63.5oz)	2,000 g (70.6oz)	2,200 g (77.6oz)	40g (1.42oz) / 1m (3.3ft) (over 7.5m)

# OUTLINE AND DIMENSIONS

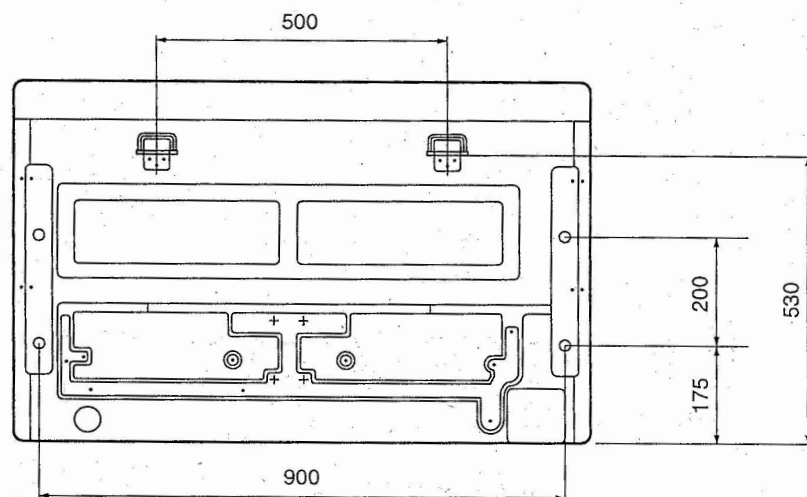
Unit : mm

## INDOOR UNIT

Models : ABY14FBBJ    ABY18FBBJ    ABY24FBBJ  
          ABY14UBBJ    ABY18UBBJ    ABY24UBBJ



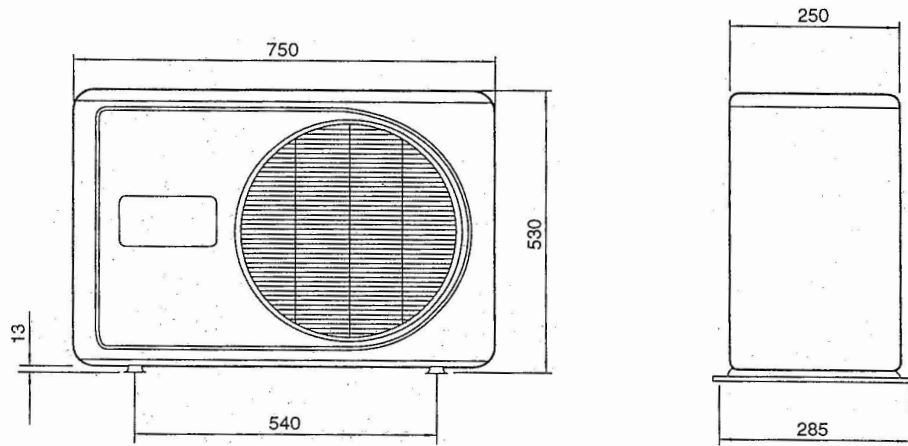
[Rear View]



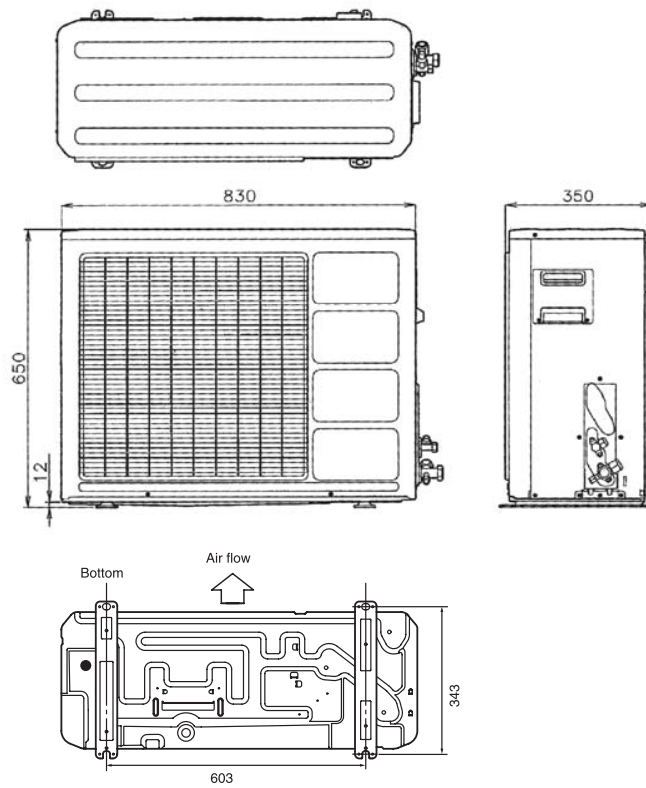
## OUTDOOR UNIT

Unit : mm

Models : AOY14FSDJ  
AOY14USDJL

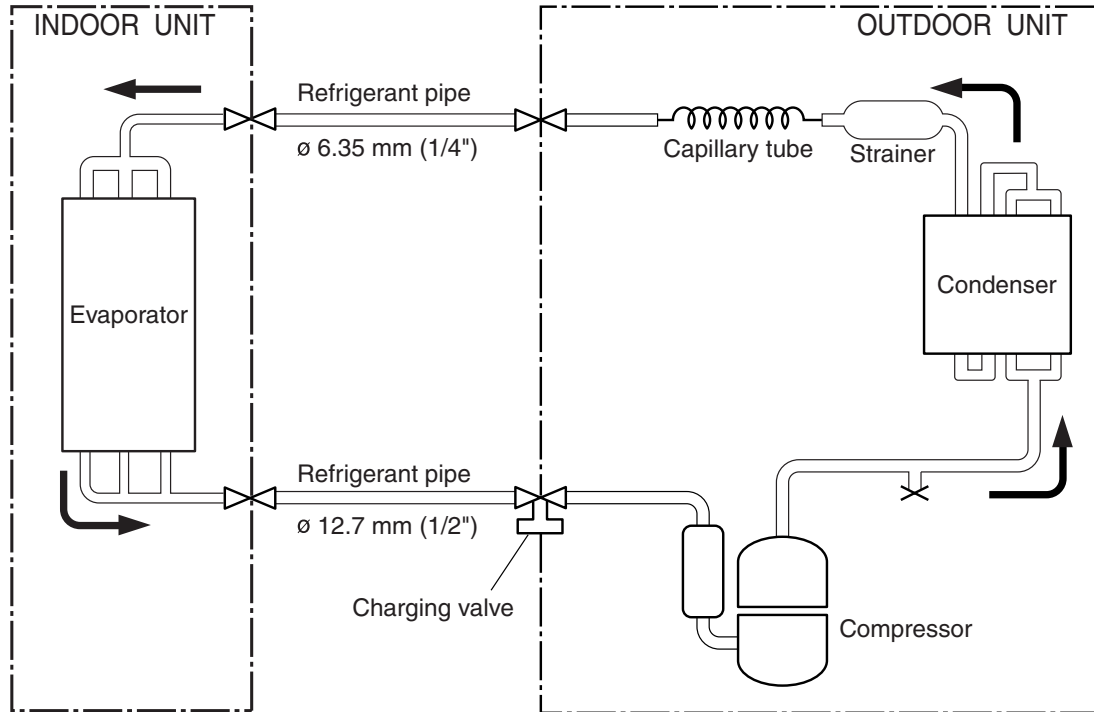


Models : AOY18FNBK  
AOY18UNBKL  
AOY24FNBK  
AOY24UNBKL

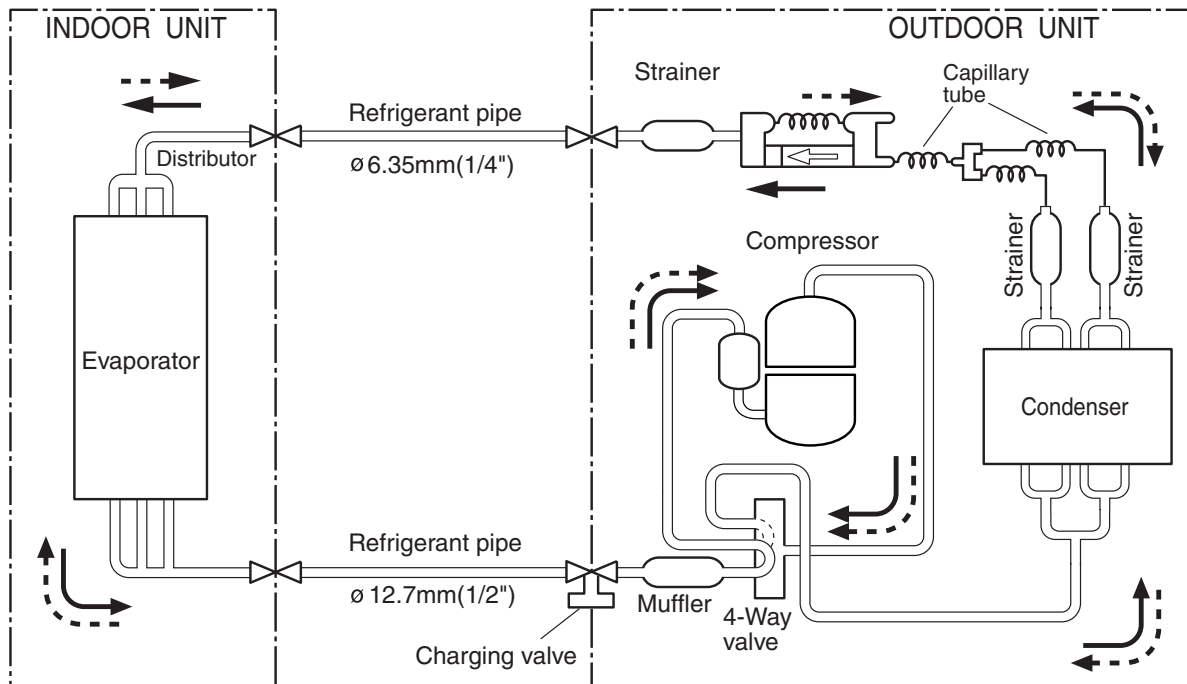


# REFRIGERANT SYSTEM DIAGRAM

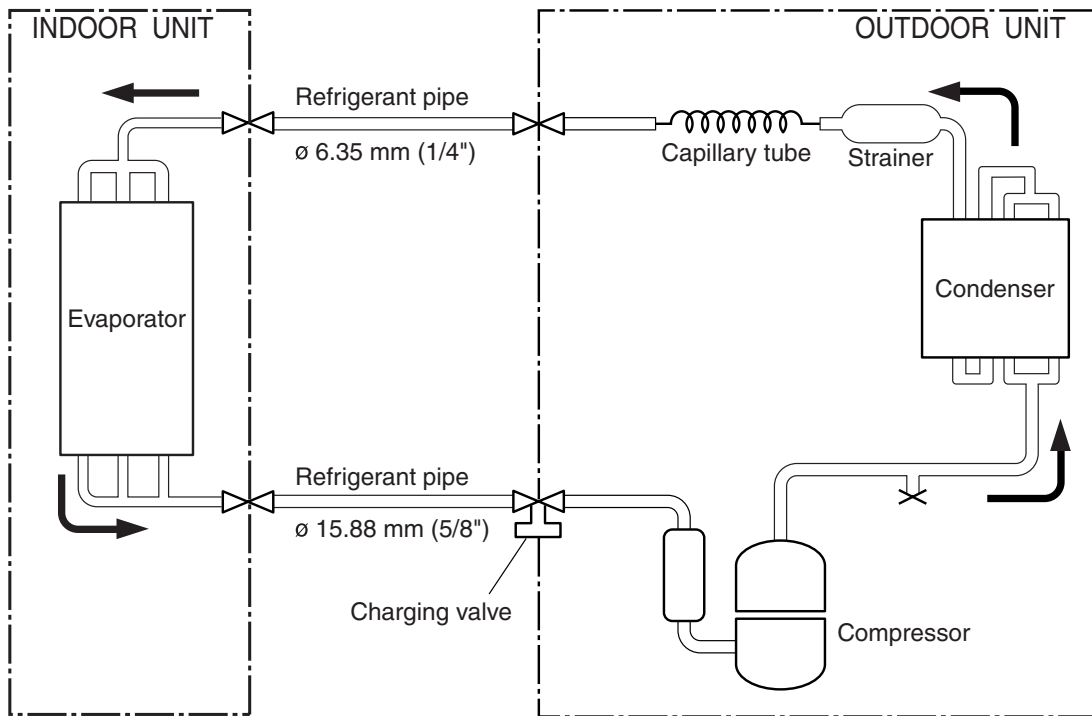
Models : **ABY14FBBJ / AOY14FSDJ**



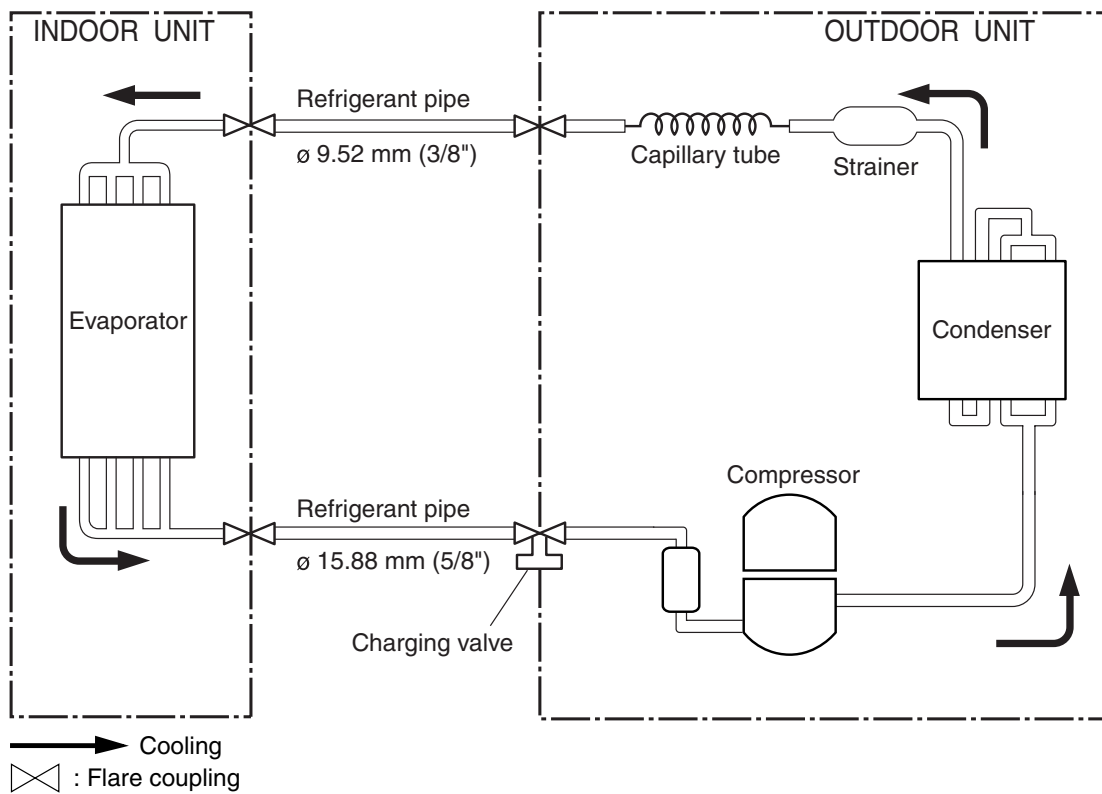
Models : **ABY14UBBJ / AOY14USDJL**



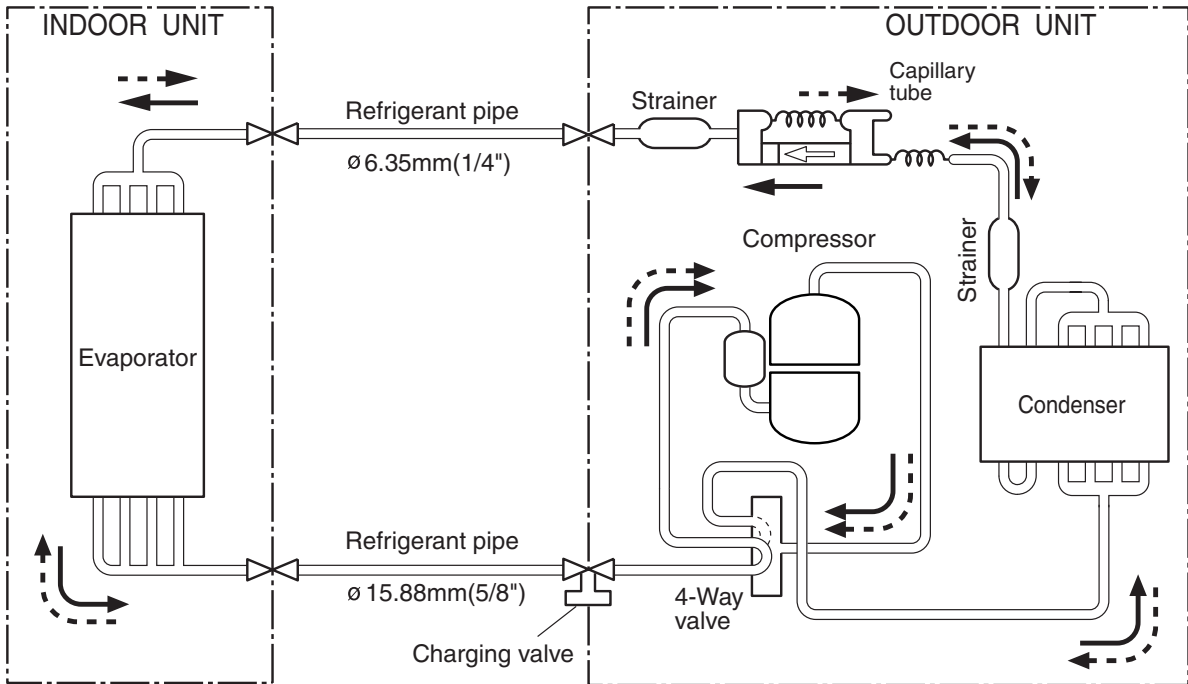
**Models : ABY18FBBJ / AOY18FNBK**



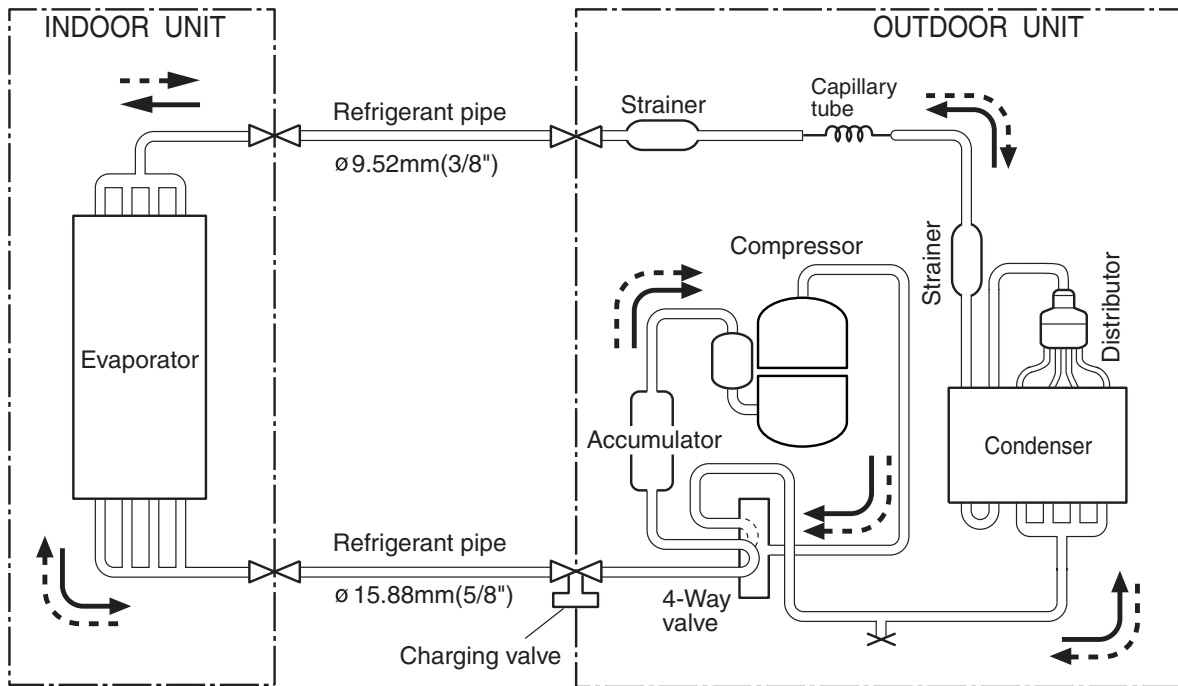
**Models : ABY24FBBJ / AOY24FNBK**






**Models : ABY18UBBJ / AOY18UNBKL**



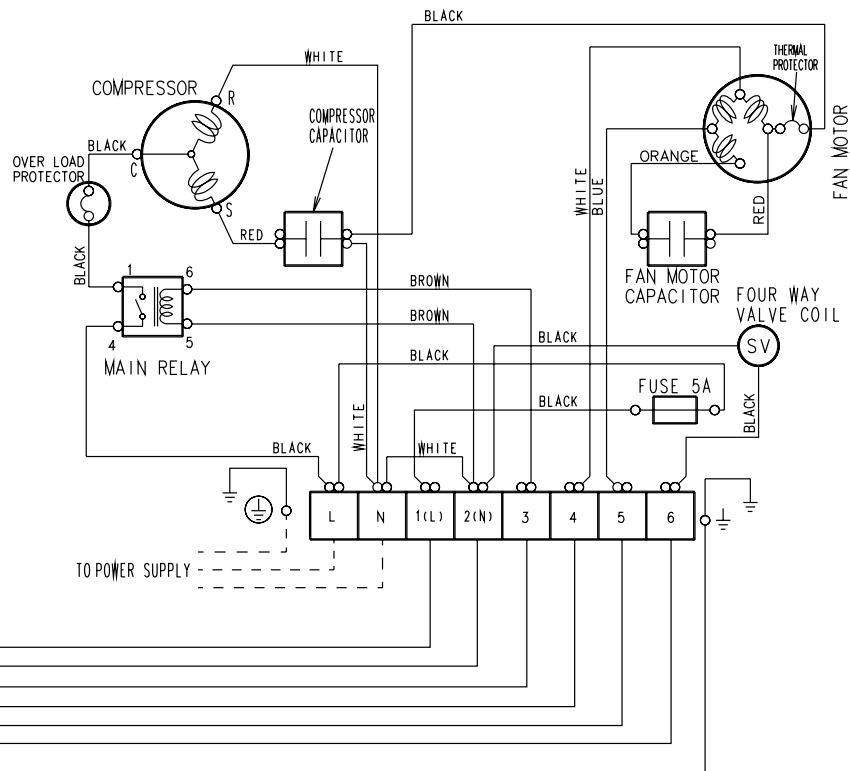
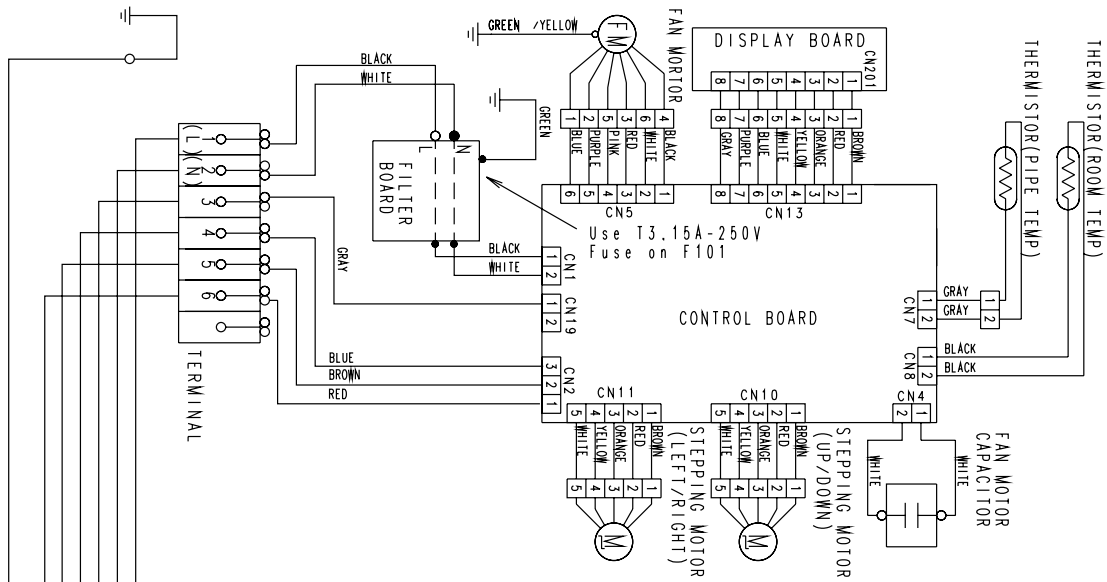
**Models : ABY24UBBJ / AOY24UNBKL**



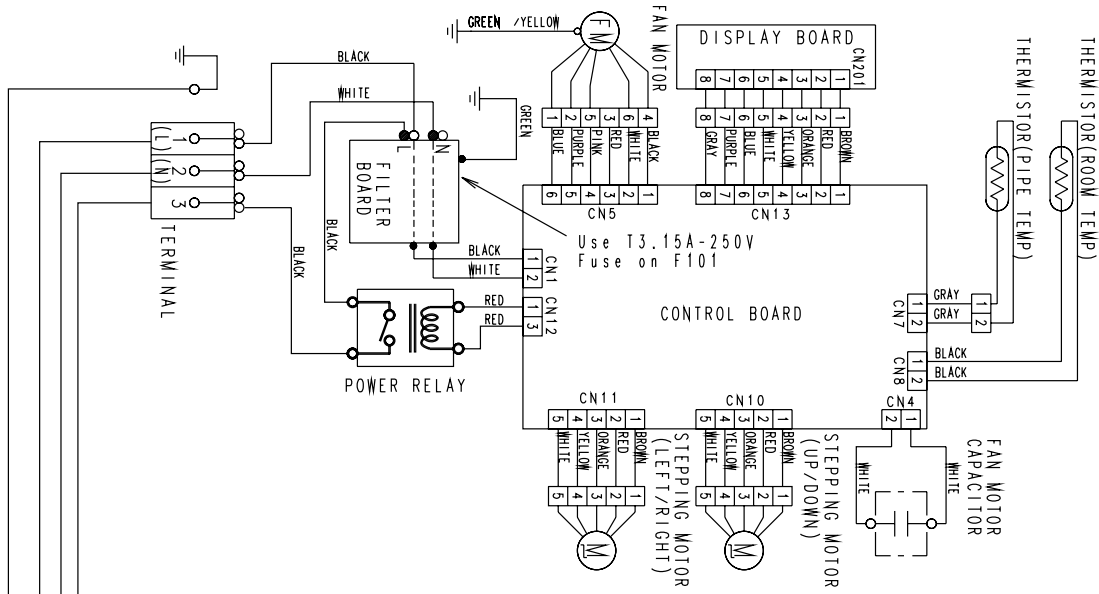
-  Cooling
-  Heating
-  : Flare coupling



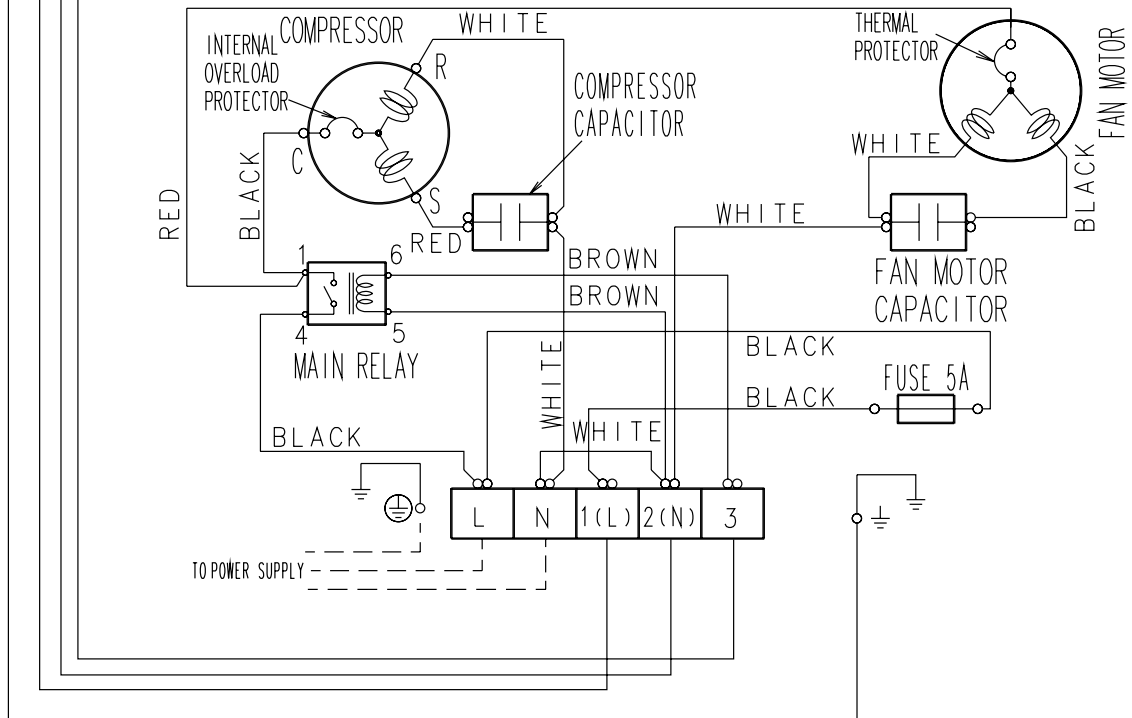




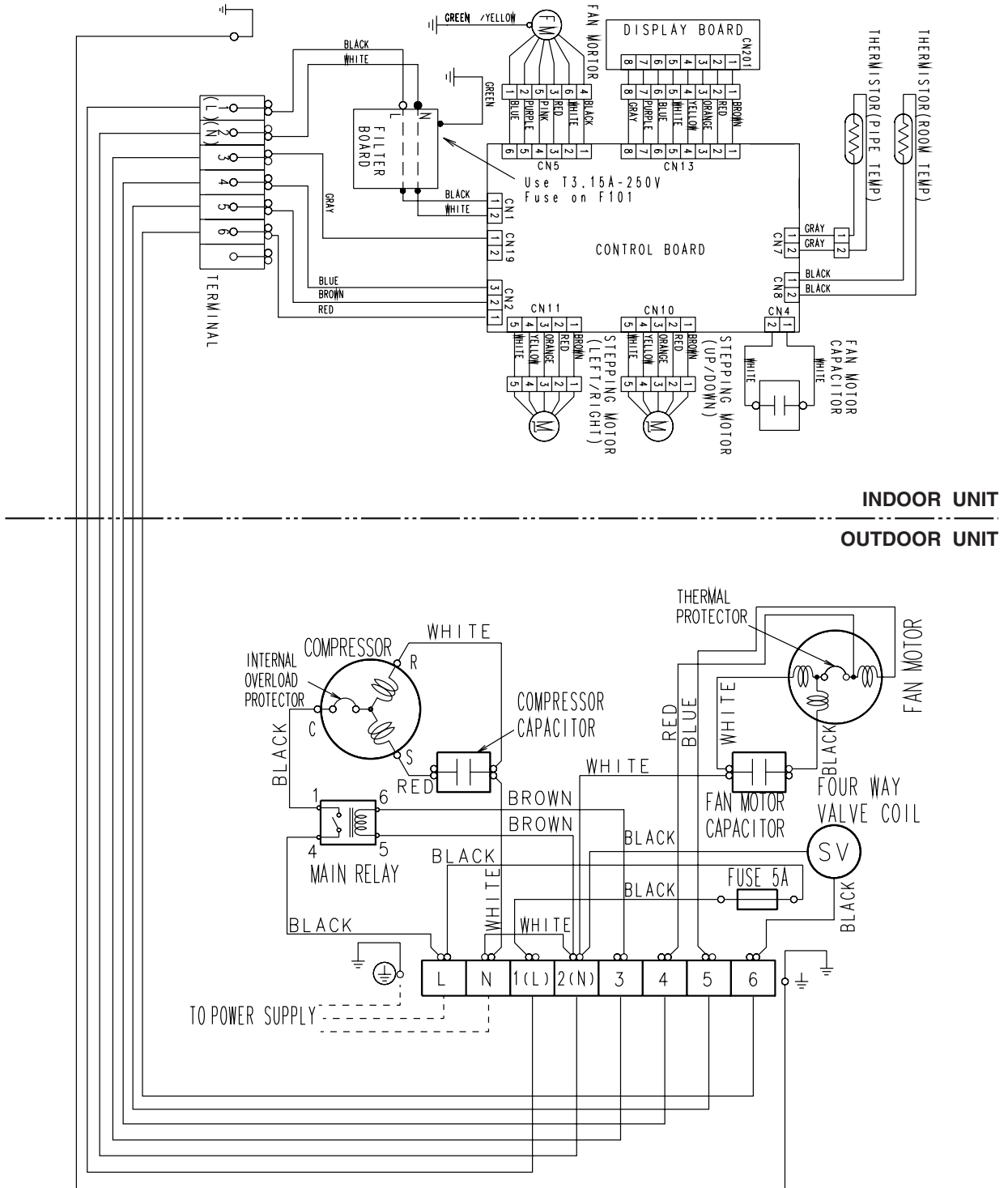
Models : ABY18FBBJ / AOY18FNBK  
 ABY24FBBJ / AOY24FNBK



**INDOOR UNIT**  
**OUTDOOR UNIT**



Models : ABY18UBBJ / AOY18UNBKL  
 ABY24UBBJ / AOY24UNBKL



## ERROR DISPLAY

The OPERATION, TIMER and SWING lamps operate as follows according to the error contents.

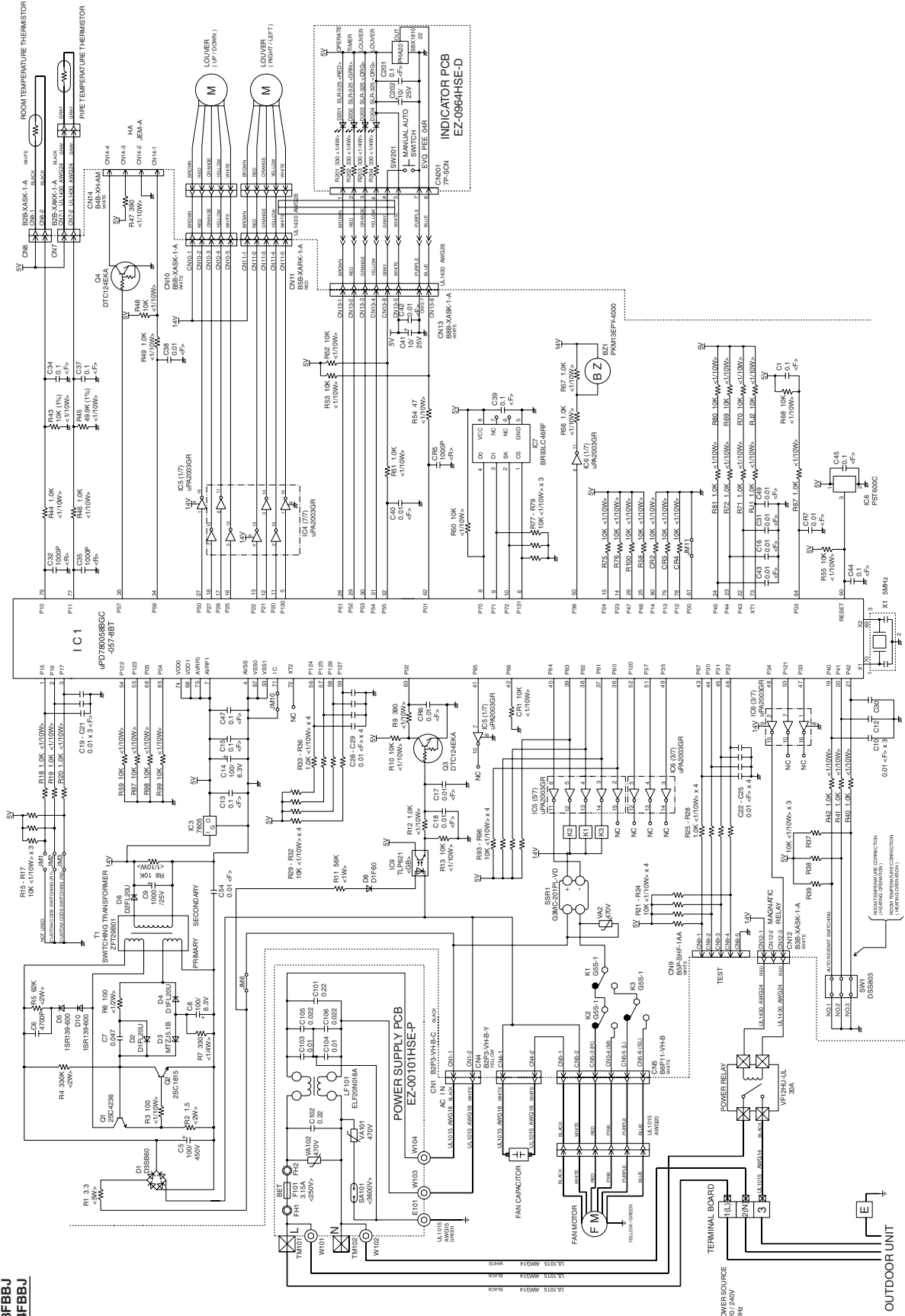
○ : Fast flashing      ● : Slow flashing      – : Off

Error contents	Error display		
	OPERATION (RED)	TIMER (GREEN)	SWING (ORANGE)
Indoor unit circuit board error	○	○	–
Indoor unit room temperature sensor wire opened	2 times ●	○	–
Indoor unit room temperature sensor wire short circuited	2 times ●	○	○
Indoor unit piping sensor wire opened	3 times ●	○	–
Indoor unit piping sensor wire short circuited	3 times ●	○	○
Indoor unit fan error	6 times ●	○	–

# INDOOR PRINTED CIRCUIT BOARD CIRCUIT DIAGRAM

Models : ABY14FBBJ  
ABY18FBBJ  
ABY24FBBJ

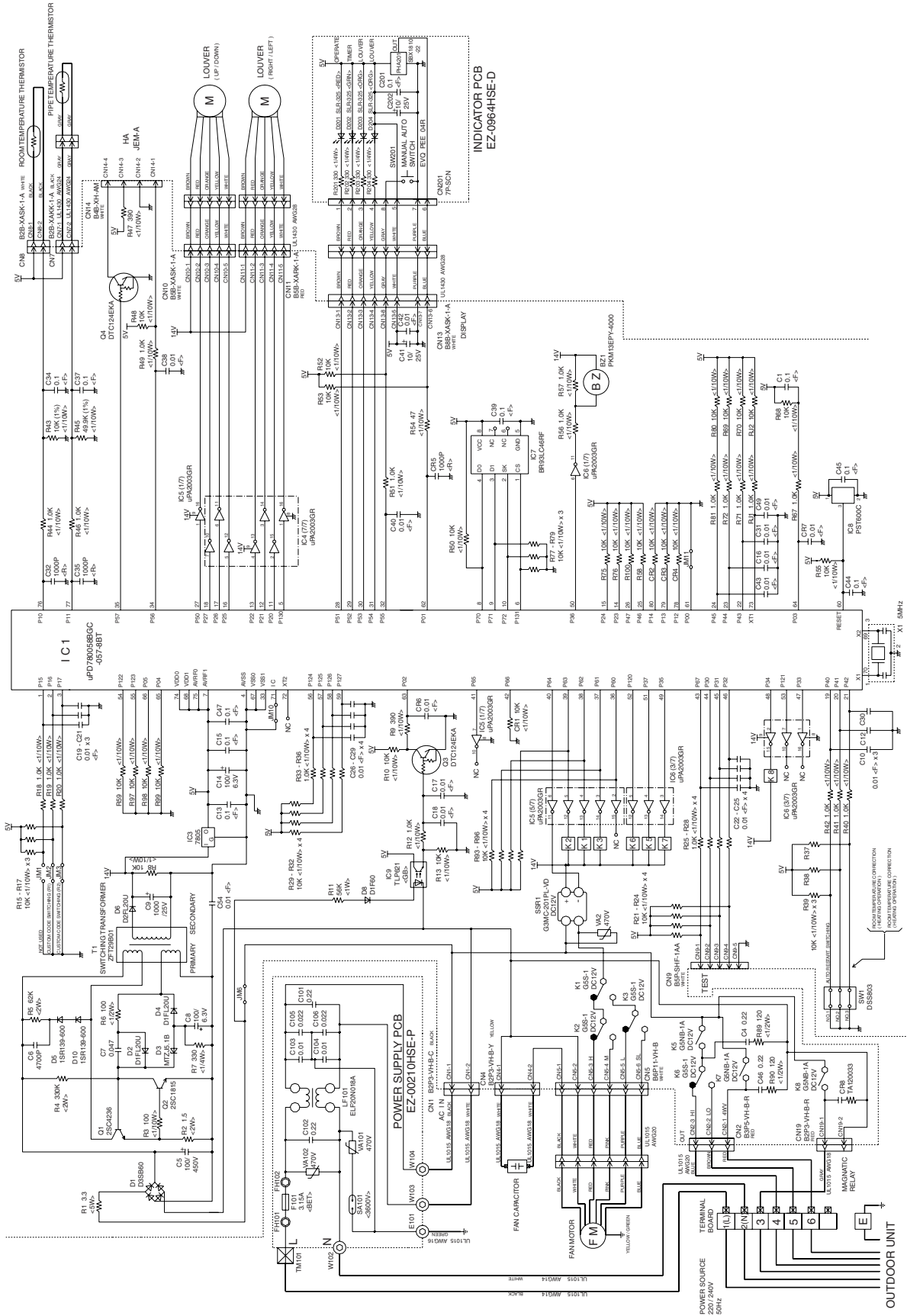
CONTROLLER PCB ASSEMBLY ( MAIN PCB )  
ABY14FBBJ : EZ-001LWSE-C  
ABY18FBBJ : EZ-002YWSE-C  
ABY24FBBJ : EZ-002TWSE-C



Models : ABY14UBBJ  
 ABY18UBBJ  
 ABY24UBBJ

CONTROLLER PCB ASSEMBLY ( MAIN PCB )

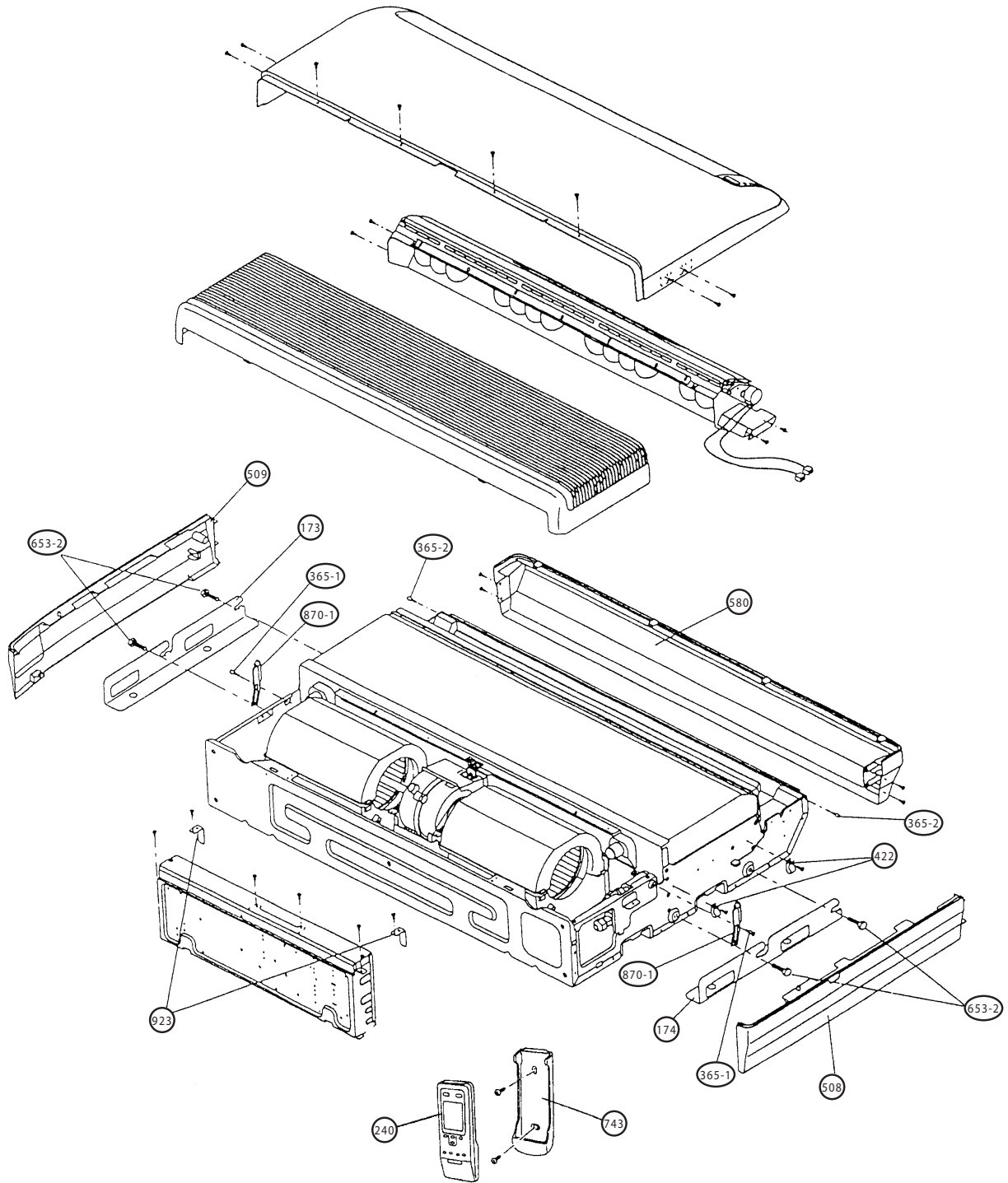
ABY14UBBJ : EZ-00312HSEC  
 ABY18UBBJ : EZ-00211HSEC  
 ABY24UBBJ : EZ-00210HSEC



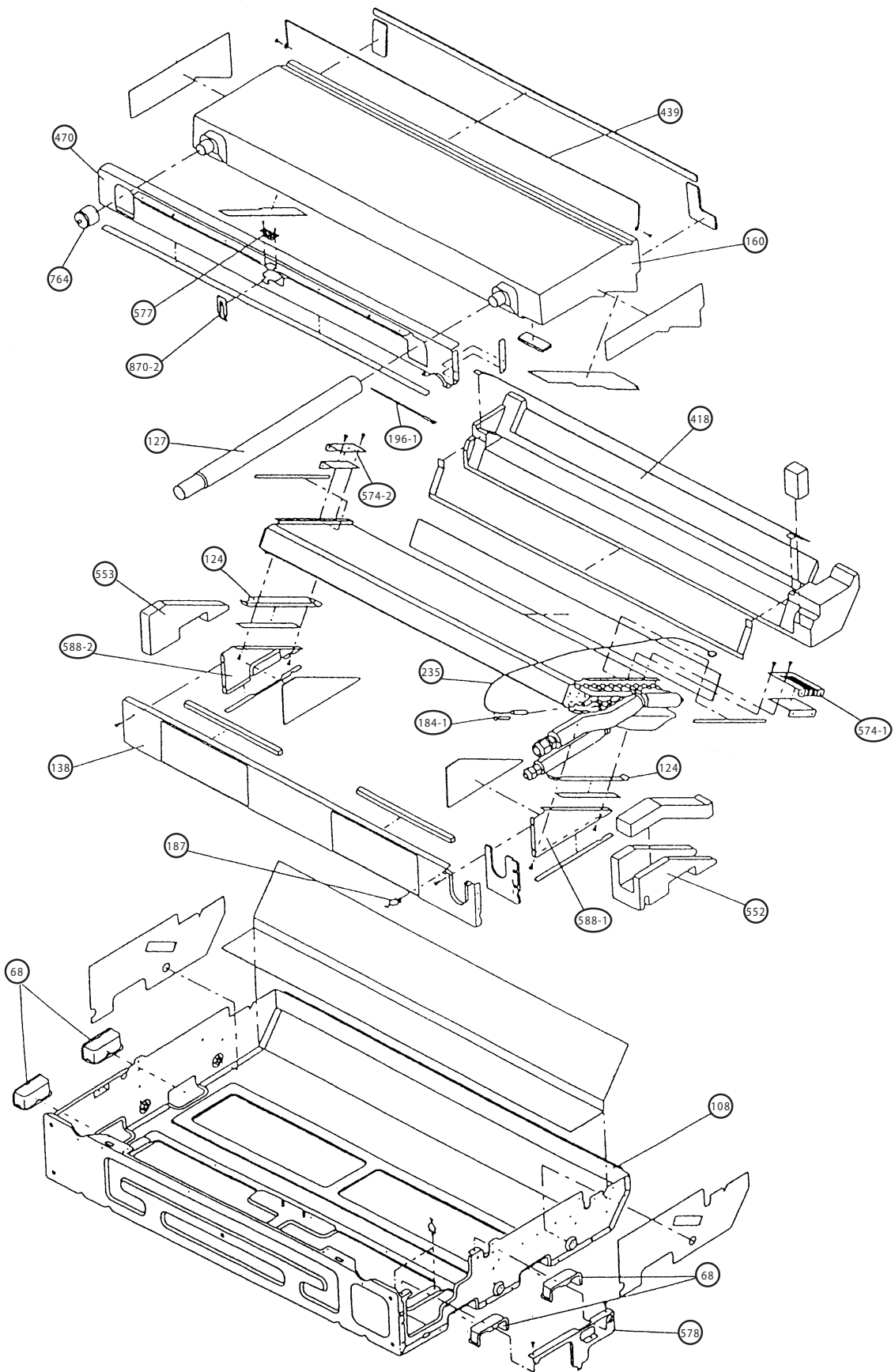
OUTDOOR UNIT

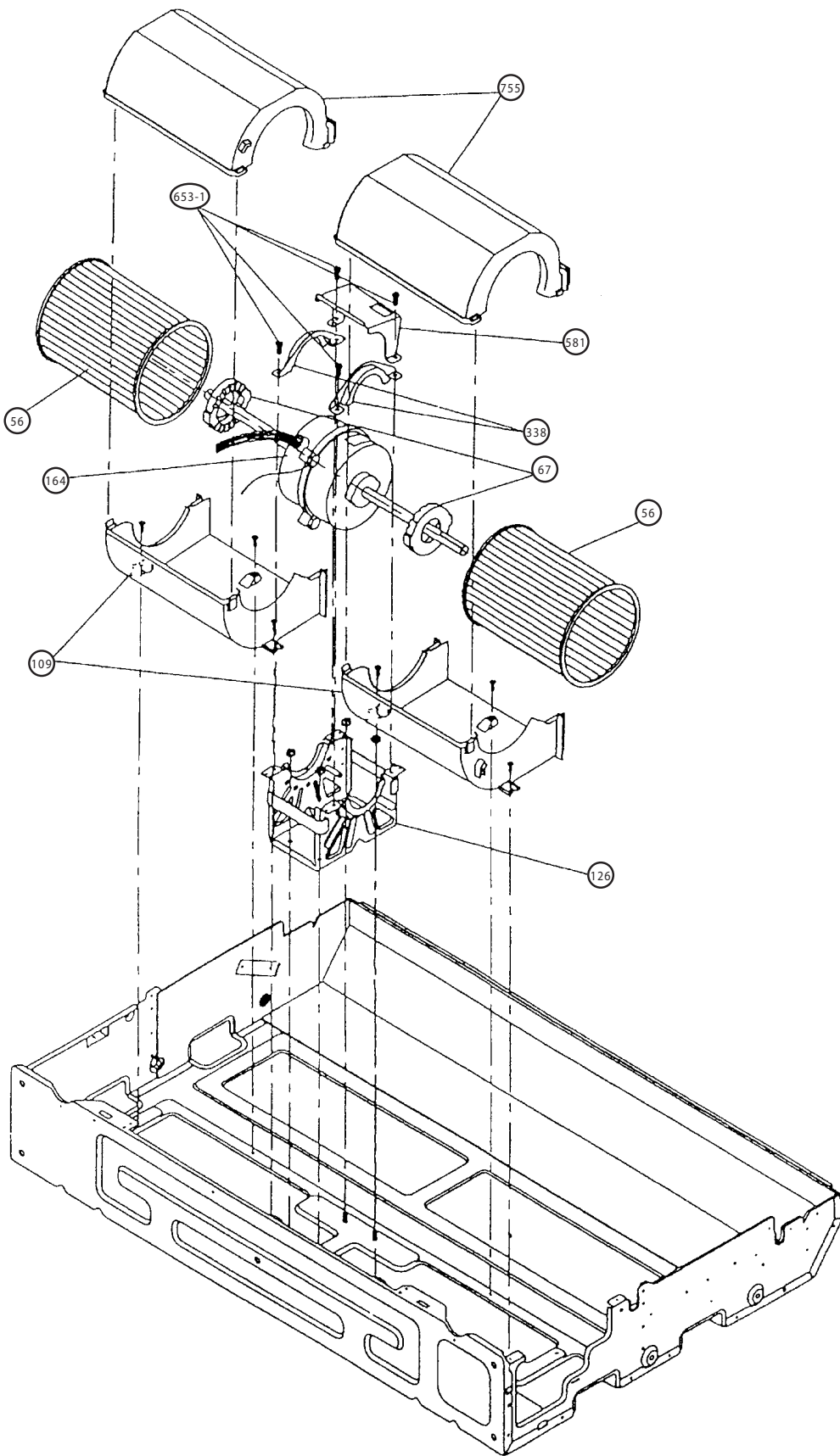
# DISASSEMBLY ASSEMBLY

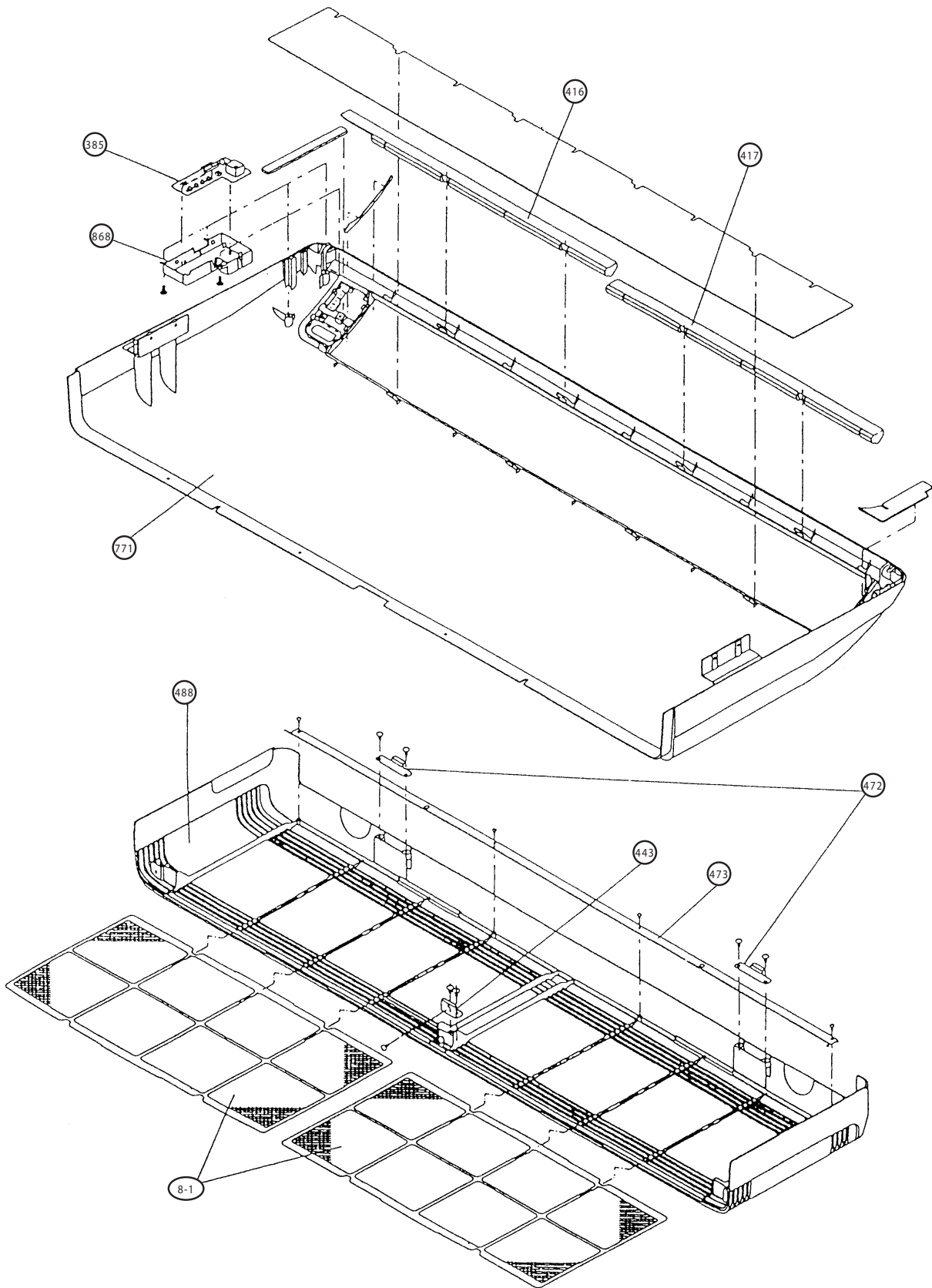
Models : ABY14FBBJ, ABY14UBBJ  
ABY18FBBJ, ABY18UBBJ  
ABY24FBBJ, ABY24UBBJ



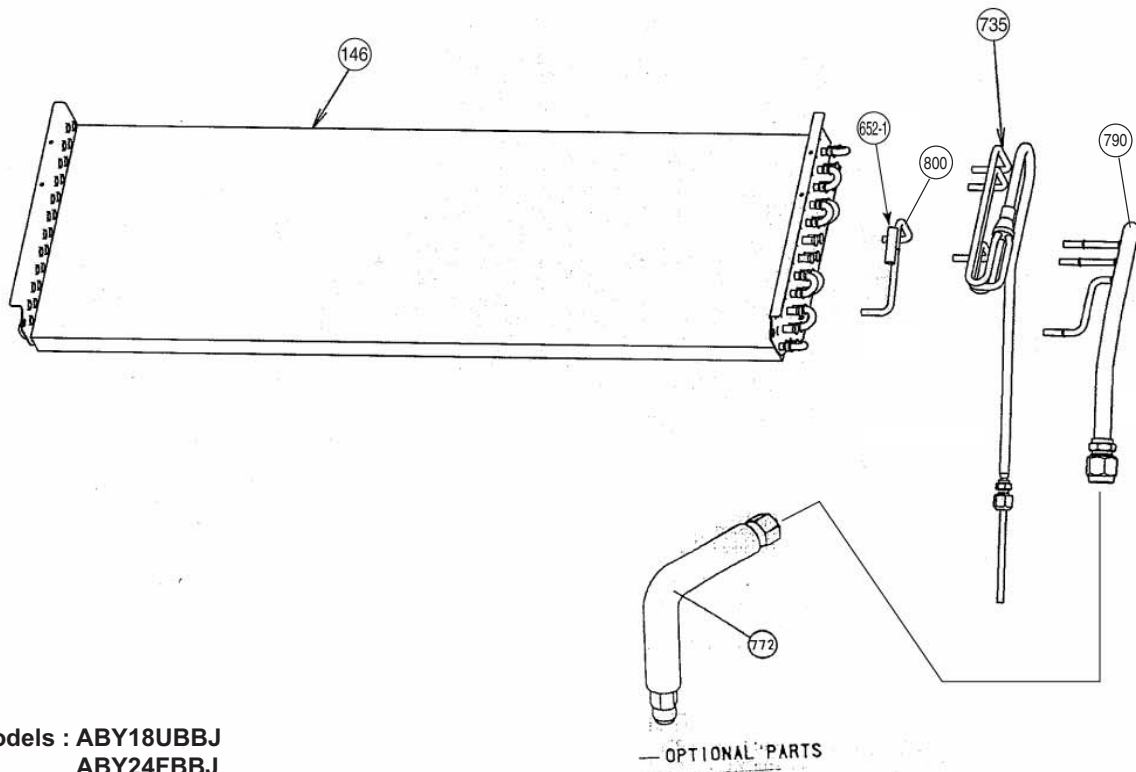




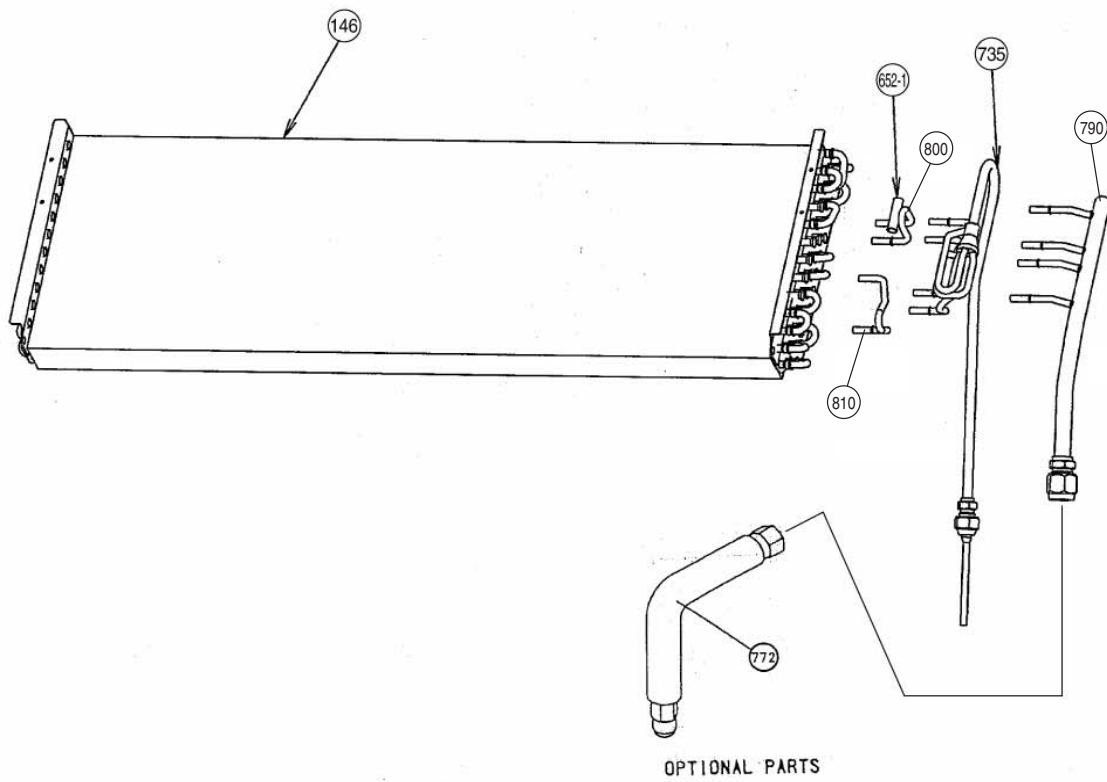


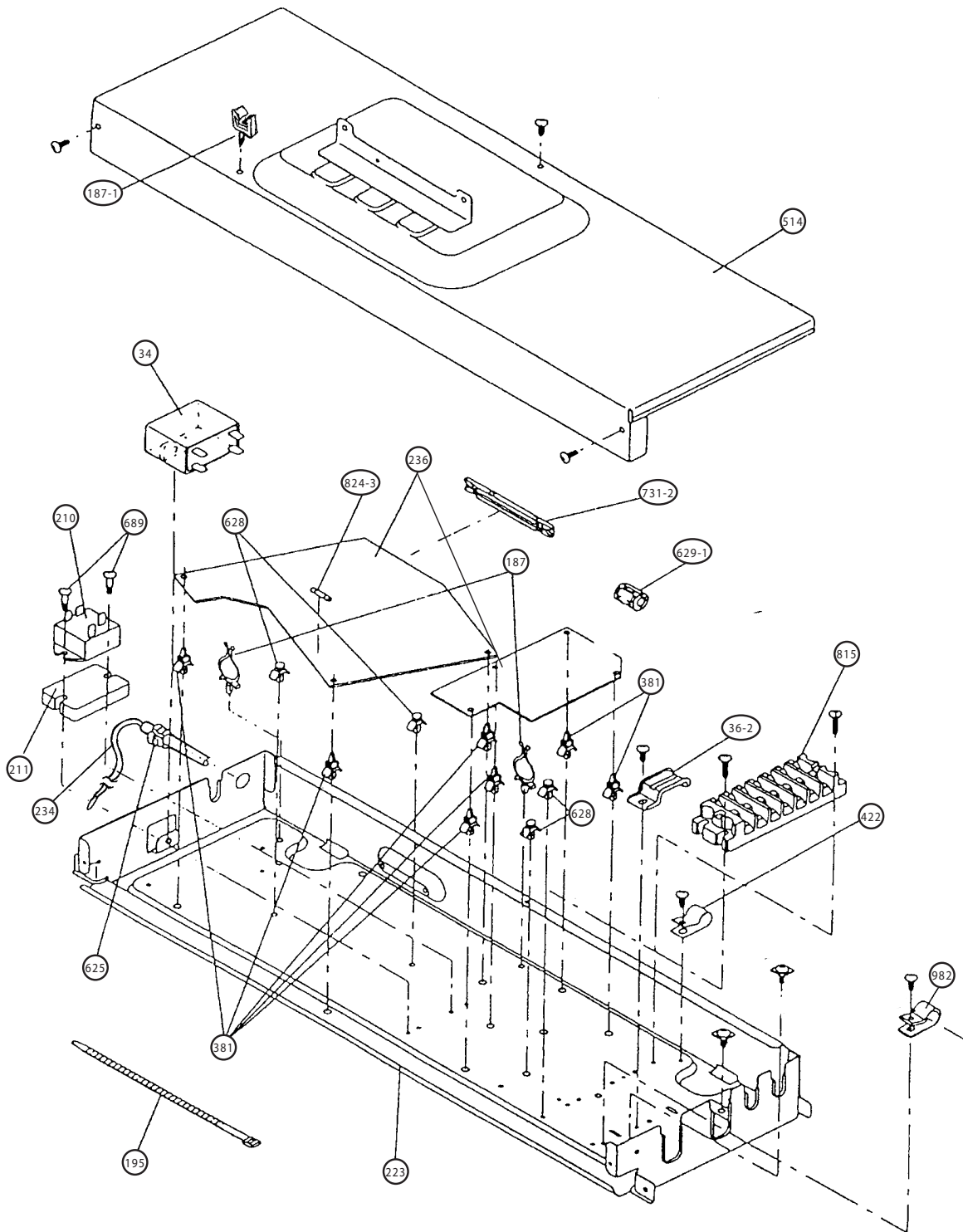


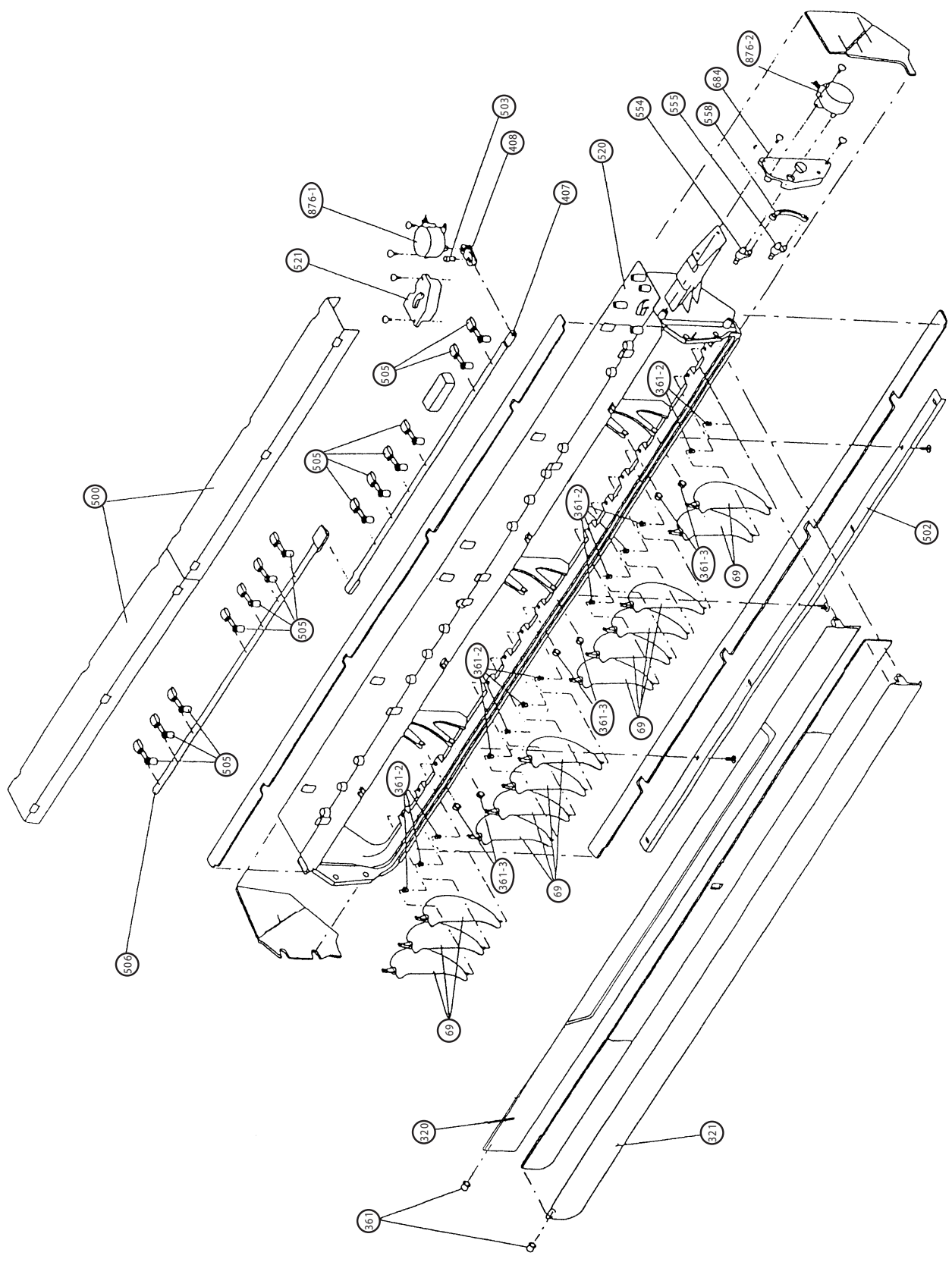
Models : ABY14FBBJ  
ABY14UBBJ  
ABY18FBBJ



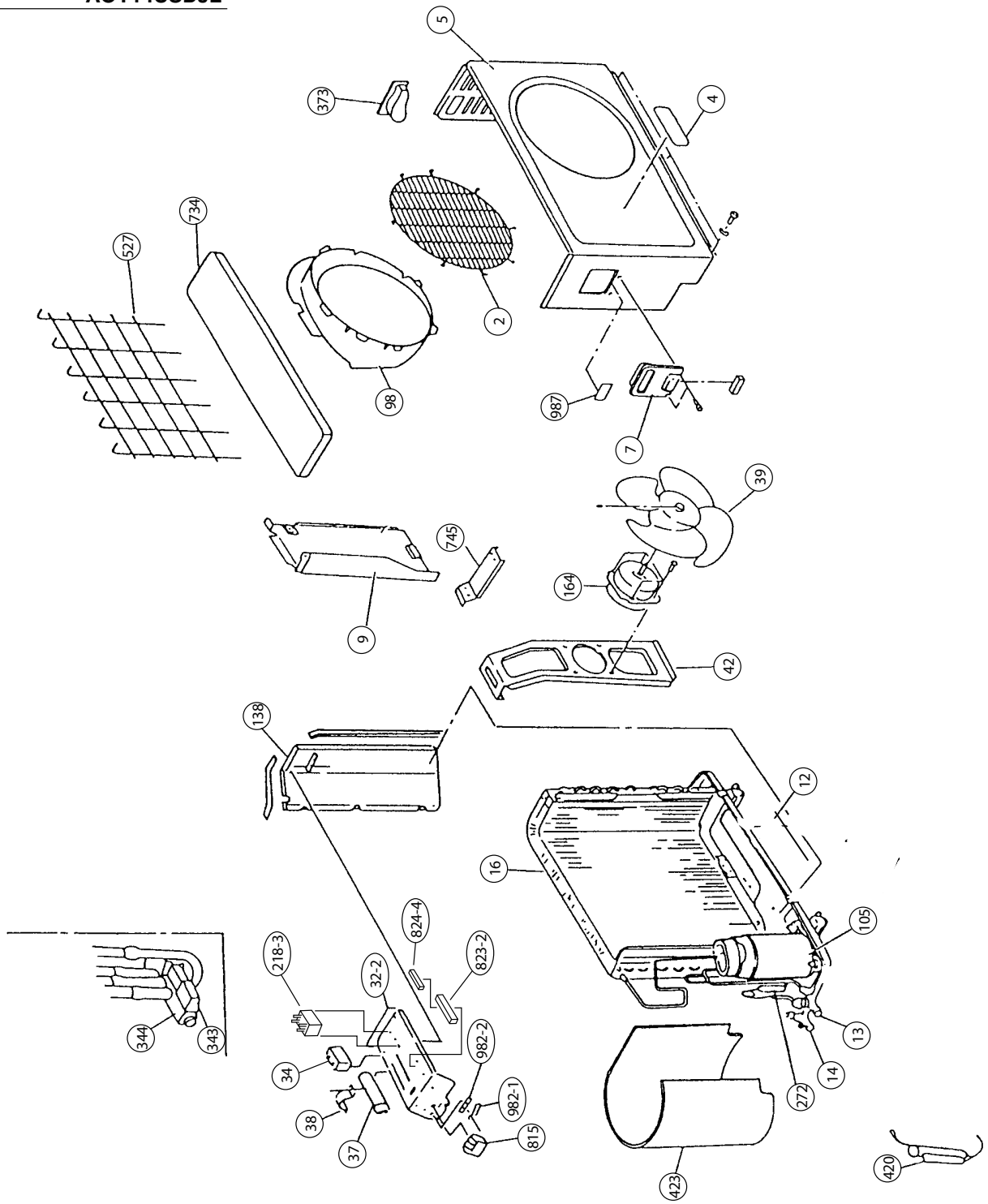
Models : ABY18UBBJ  
ABY24FBBJ  
ABY24UBBJ



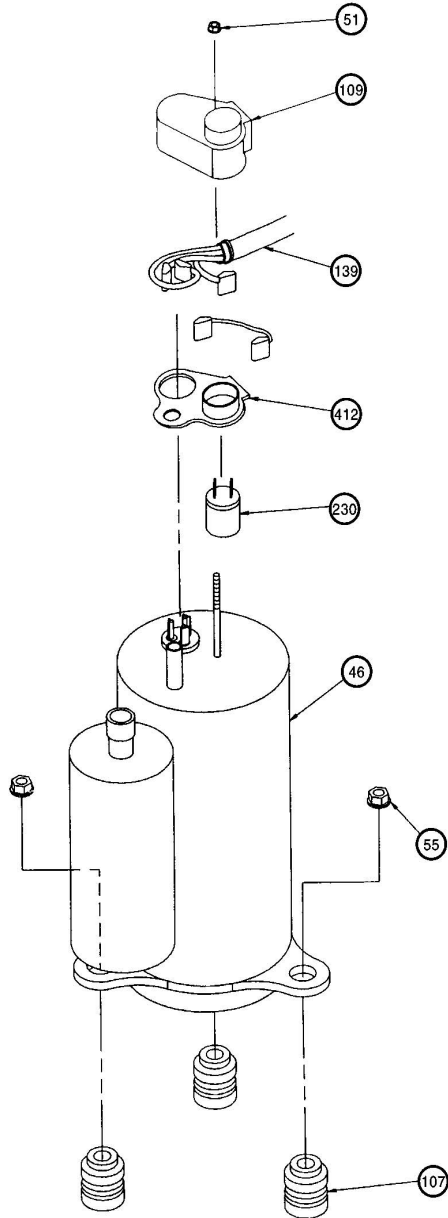




Models : AOY14FSDJ  
AOY14USDJL

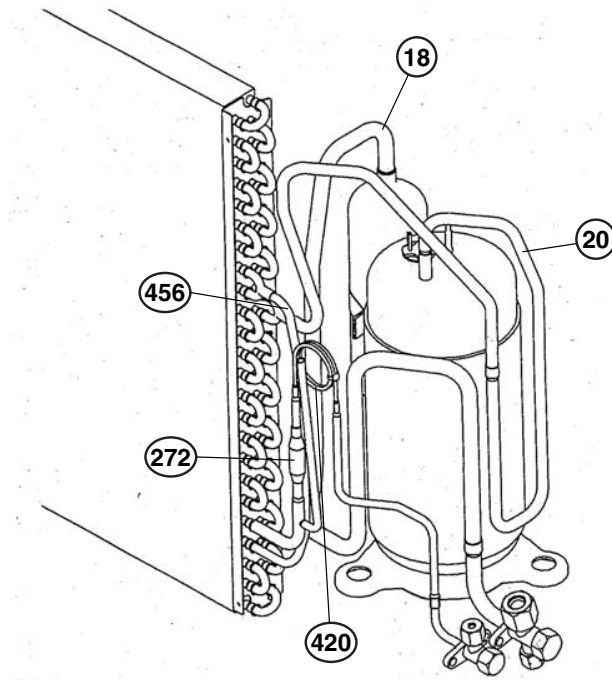


Models : AOY14FSDJ  
AOY14USDJL

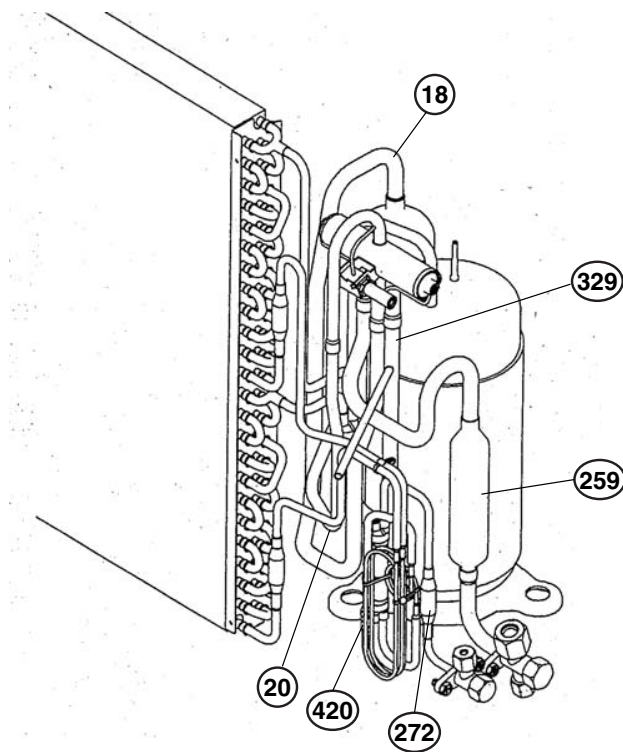




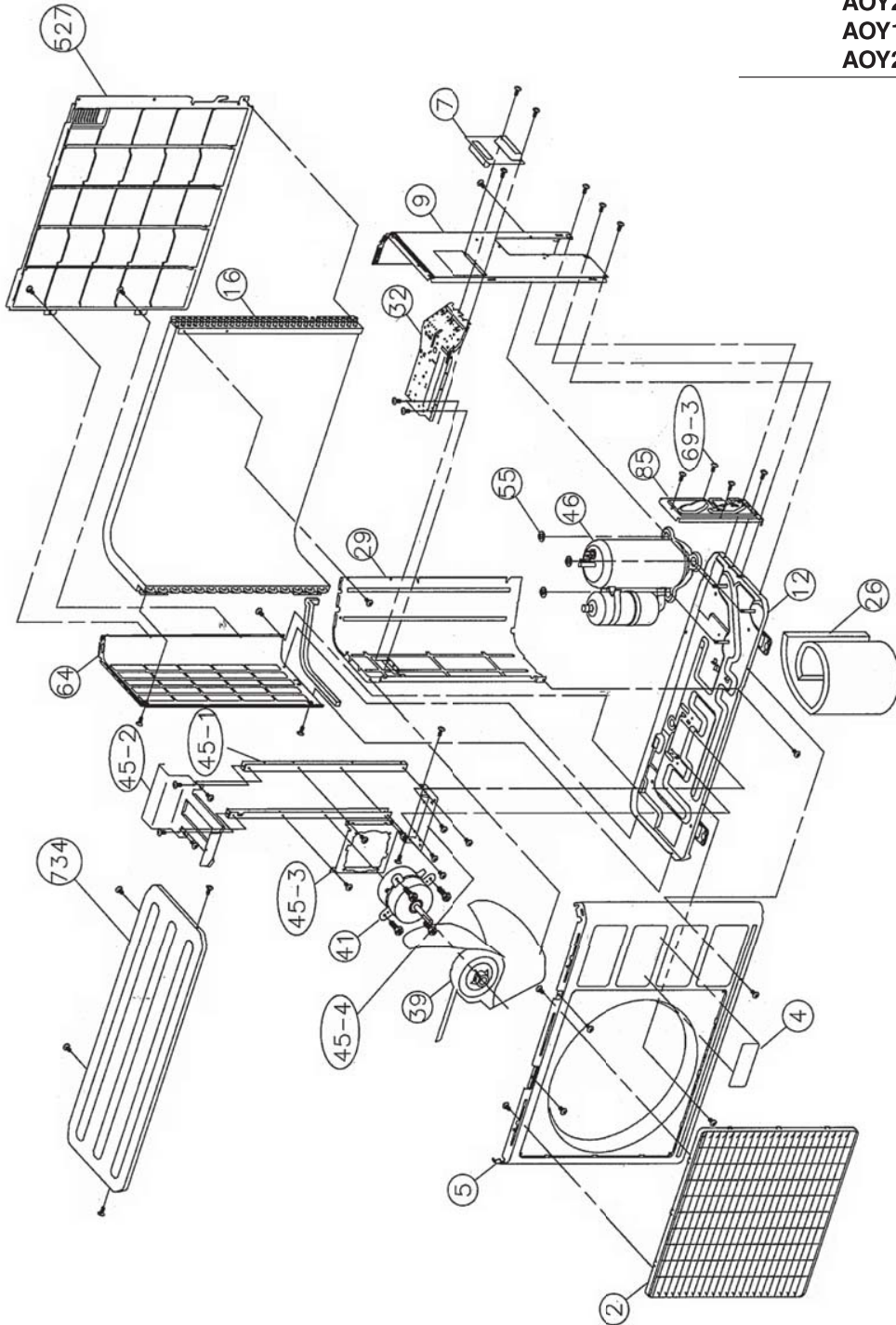
**Model : AOY14FSDJ**



**Model : AOY14USDJL**

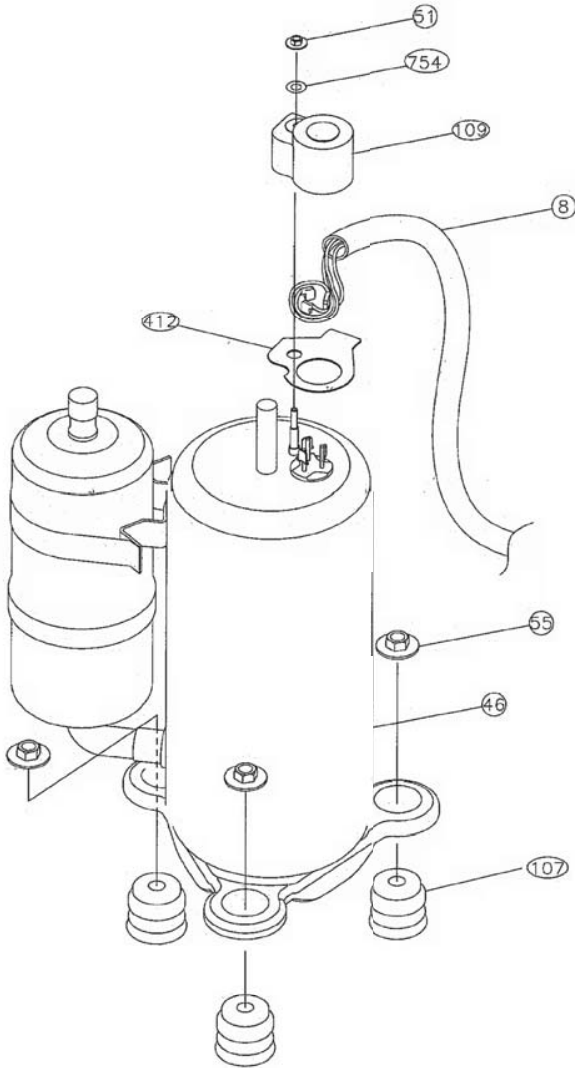


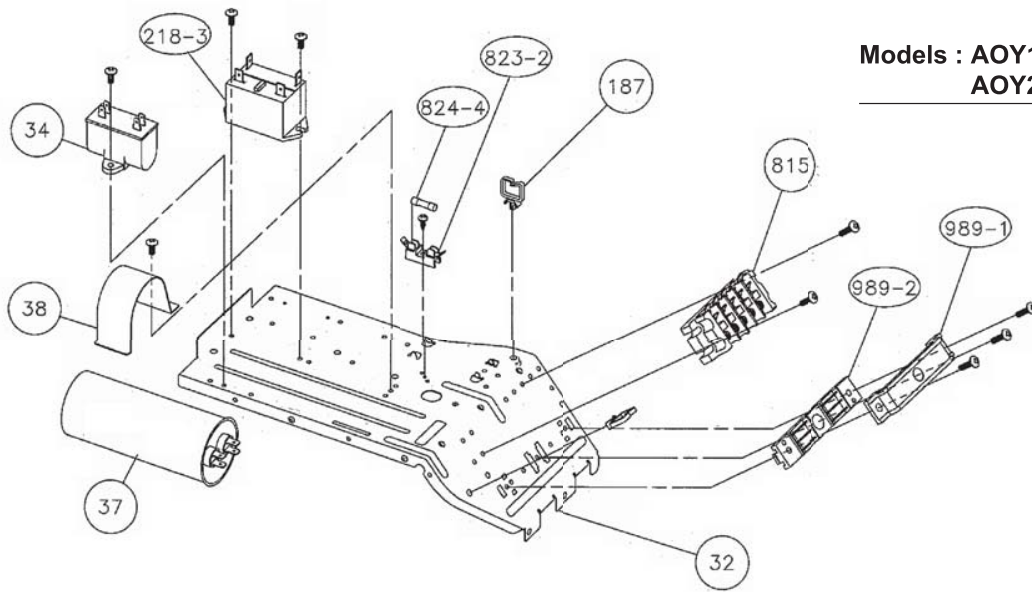
Models : AOY18FNBK  
AOY24FNBK  
AOY18UNBKL  
AOY24UNBKL



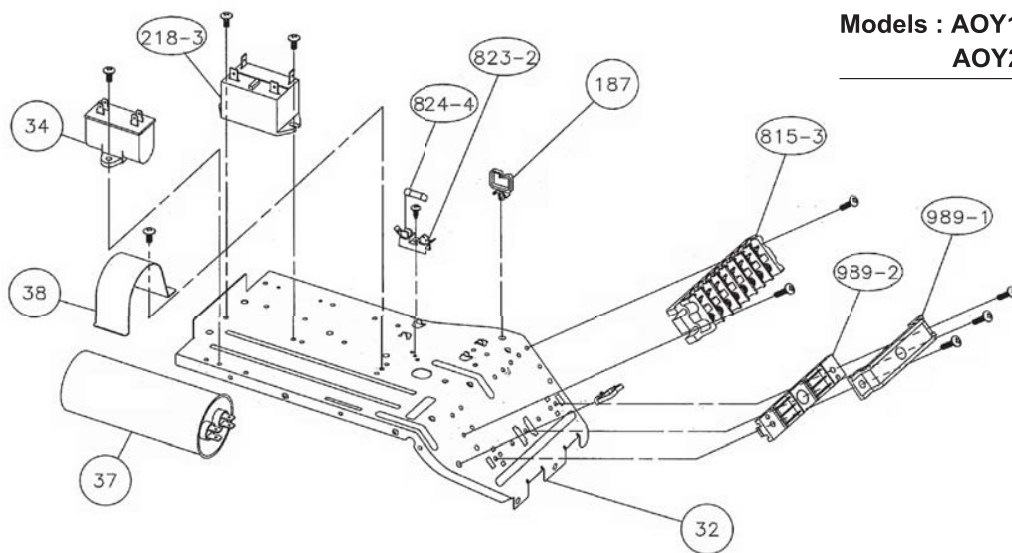
Models : AOY18FNBK  
AOY18UNBKL  
AOY24FNBK  
AOY24UNBKL

---



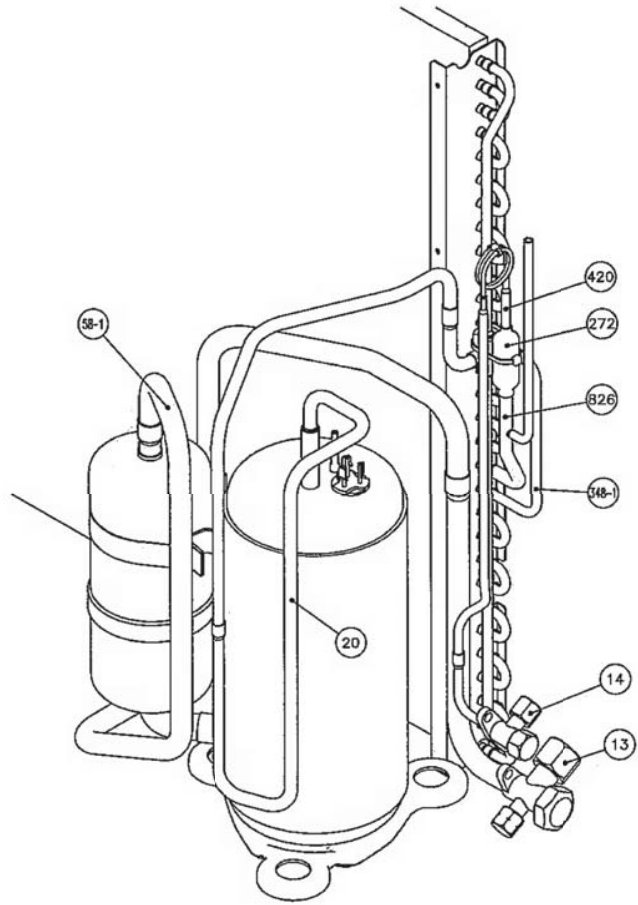
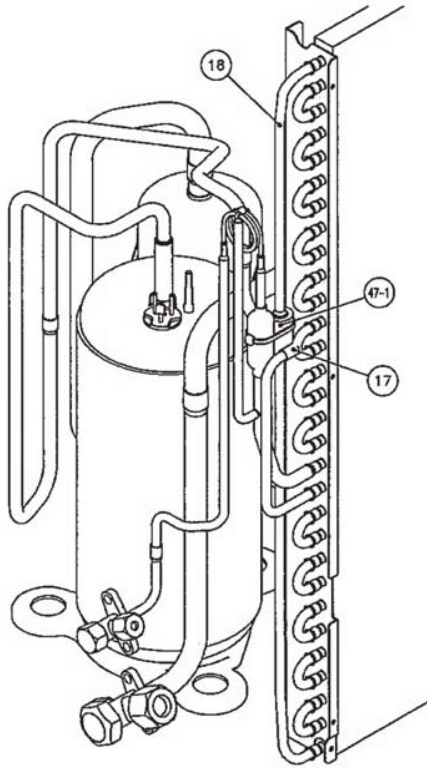


**Models : AOY18FNBK  
AOY24FNBK**

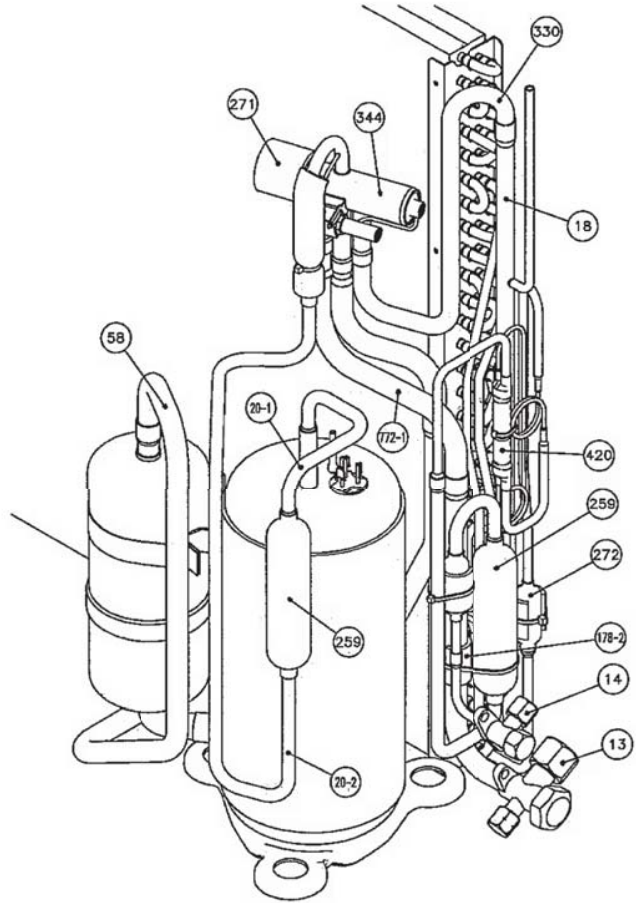
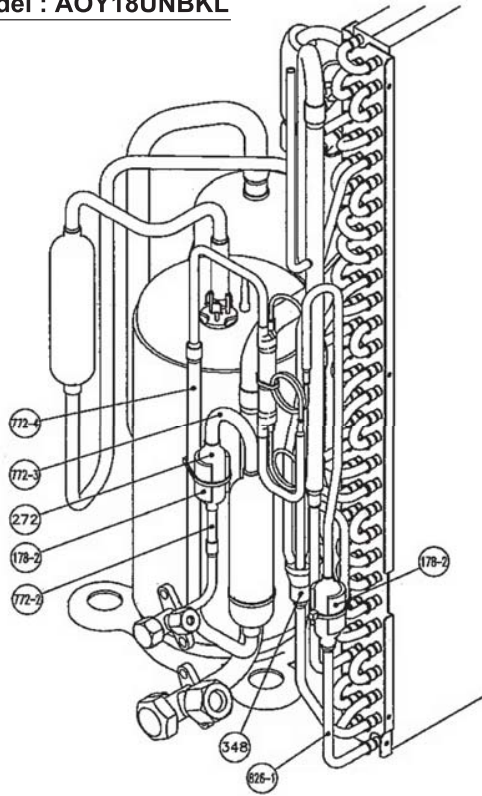


**Models : AOY18UNBKL  
AOY24UNBKL**

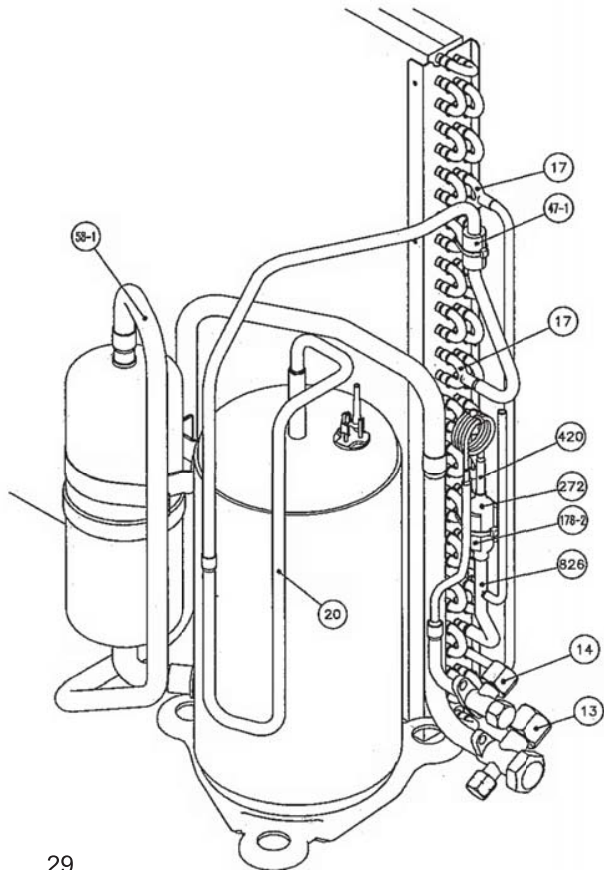
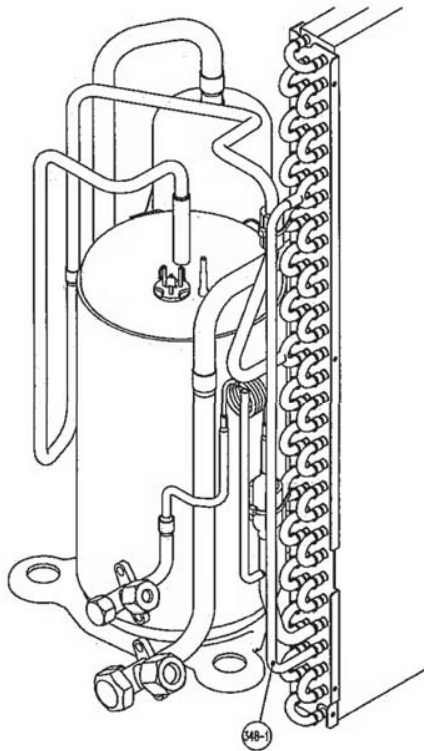
Model : AOY18FNBK



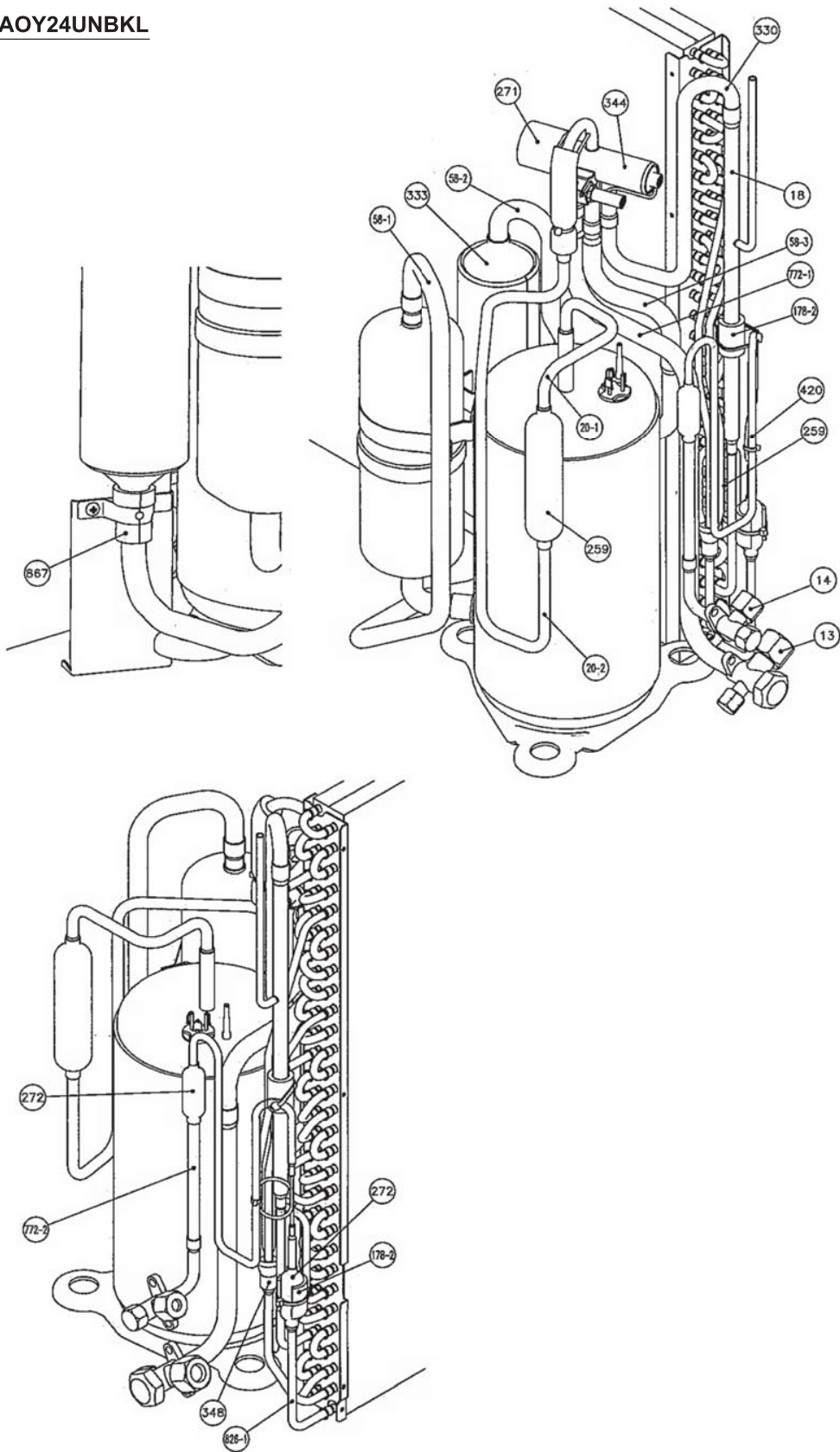
**Model : AOY18UNBKL**



**Model : AOY24FNBK**



Model : AOY24UNBKL



# PARTS LIST

## INDOOR UNIT

When you order parts, please make a photocopy of this page and fill the number of the parts in the "Order" column.

Ref. No.	Description	Part No.						Ord. Q'ty
		ABY14FBBJ	ABY14UBBJ	ABY18FBBJ	ABY18UBBJ	ABY24FBBJ	ABY24UBBJ	
8-1	Air Filter	9358567029	9358567029	9358567029	9358567029	9358567029	9358567029	
34	Capacitor (Fan Motor) 2.3μF/450V	—	—	9703306044	9703306044	9703306044	9703306044	
34	Capacitor (Fan Motor) 1.6μF/400V	9704305039	9704305039	—	—	—	—	
36-2	Cord Holder Metal	9356362008	9356362008	9356362008	9356362008	9356362008	9356362008	
56	Sirocco Fan Assy	9385258006	9385258006	9385258006	9385258006	9385258006	9385258006	
67	Rubber (Vibration-proof)	9385102002	9385102002	9385102002	9385102002	9385102002	9385102002	
69	Louver	9358561010	9358561010	9358561010	9358561010	9358561010	9358561010	
68	Cap, Plastic	9358563007	9358563007	9358563007	9358563007	9358563007	9358563007	
108	Base Assy	9359061038	9359061038	9359061038	9359061038	9359061038	9359061038	
109	Casing, Plastic	9358543009	9358543009	9358543009	9358543009	9358543009	9358543009	
124	Dew Proof Plate	9359196006	9359196006	9359196006	9359196006	9359196006	9359196006	
126	Motor Fixing Table Assy	9358591000	9358591000	9358591000	9358591000	9358591000	9358591000	
127	Drain Hose Assy	9359242000	9359242000	9359242000	9359242000	9359242000	9359242000	
138	Separate Wall-A	9358584002	9358584002	9358584002	9358584002	9358584002	9358584002	
146	Evaporator Assy KB07	—	—	—	9362513036	9362513036	9362513036	
146	Evaporator Assy KB45	9362513029	9362513029	9362513029	—	—	—	
160	Drain Pan Assy	9358568002	9358568002	9358568002	9358568002	9358568002	9358568002	
164	Fan Motor Assy-IN MFA-24JTT	—	—	—	—	9601527015	9601527015	
164	Fan Motor Assy-IN MFA-18JTT	—	—	9601527022	9601527022	—	—	
164	Fan Motor Assy-IN MFA-14JTT	9601527039	9601527039	—	—	—	—	
173	Hanger Bracket-L	9358596005	9358596005	9358596005	9358596005	9358596005	9358596005	
174	Hanger Bracket-R	9358595008	9358595008	9358595008	9358595008	9358595008	9358595008	
184-1	Thermistor Spring-A	313728262708	313728262708	313728262708	313728262708	313728262708	313728262708	
187	Clamp No. 1219	313361271706	313361271706	313361271706	313361271706	313361271706	313361271706	
187-1	Clip (Cable)	9352715006	9352715006	9352715006	9352715006	9352715006	9352715006	
195	Clamp SKB-100	313361275805	313361275805	313361275805	313361275805	313361275805	313361275805	
196-1	Clamp SKB-3M	312300787605	312300787605	312300787605	312300787605	312300787605	312300787605	
210	Main Relay	9353611017	—	9353611017	—	9353611017	—	
211	Cushion Rubber	313806328306	—	313806328306	—	313806328306	—	
223	Control Box	9358600016	9358600016	9358600016	9358600016	9358600016	9358600016	
234	Thermistor Assy-Room	9703299087	9703299087	9703299087	9703299087	9703299087	9703299087	
235	Thermistor Assy-Pipe	9900022020	9900022020	9900022020	9900022020	9900022020	9900022020	
236	Controller PCB Assy	9704557094 (EZ-001LWSE-C)	9704557551 (EZ-00312HSE-C)	9704557216 (EZ-002YWSE-C)	9704557223 (EZ-00211HSE-C)	9704557131 (EZ-002TWSE-C)	9704557148 (EZ-00210HSE-C)	
240	Remote Control Unit AR-JW1	—	9371190013	—	9371190013	—	9371190013	
240	Remote Control Unit AR-JW2	9371190020	—	9371190020	—	9371190020	—	
320	Flap (Upper)-F	9358538012	9358538012	9358538012	9358538012	9358538012	9358538012	
321	Flap (Lower)	9358541012	9358541012	9358541012	9358541012	9358541012	9358541012	
338	Motor Fixture	9358594001	9358594001	9358594001	9358594001	9358594001	9358594001	
361	Bushing	9357942001	9357942001	9357942001	9357942001	9357942001	9357942001	
361-2	Bushing-B, Plastic	9358554005	9358554005	9358554005	9358554005	9358554005	9358554005	
361-3	Bushing-C, Plastic	9358553008	9358553008	9358553008	9358553008	9358553008	9358553008	
365-1	Special Screw	9359092001	9359092001	9359092001	9359092001	9359092001	9359092001	
365-2	Special Screw	9359091004	9359091004	9359091004	9359091004	9359091004	9359091004	
381	Locking Spacer, KGLS-4S	313209391506	313209391506	313209391506	313209391506	313209391506	313209391506	
385	Indicator PCB Assy EZ-0964HSE-D	9701873012	9701873012	9701873012	9701873012	9701873012	9701873012	
407	Motor Rod	9358560006	9358560006	9358560006	9358560006	9358560006	9358560006	
408	Louver Link	9358556009	9358556009	9358556009	9358556009	9358556009	9358556009	
416	Insulation (Panel)-A	9358574003	9358574003	9358574003	9358574003	9358574003	9358574003	
417	Insulation (Panel)-B	9358914007	9358914007	9358914007	9358914007	9358914007	9358914007	
418	Insulation (Flap Base)	9358572009	9358572009	9358572009	9358572009	9358572009	9358572009	



INDOOR UNIT (Continued)

When you order parts, please make a photocopy of this page and fill the number of the parts in the "Order" column.

Ref. No.	Description	Part No.						Ord.
		ABY14FBBJ	ABY14UBBJ	ABY18FBBJ	ABY18UBBJ	ABY24FBBJ	ABY24UBBJ	Q'ty
422	Clamp NK-10N	9359183006	9359183006	9359183006	9359183006	9359183006	9359183006	
439	Drain Pan Wire	9358598009	9358598009	9358598009	9358598009	9358598009	9358598009	
443	Arm Bracket	9359281009	9359281009	9359281009	9359281009	9359281009	9359281009	
470	Separate Wall-B	9358585009	9358585009	9358585009	9358585009	9358585009	9358585009	
472	Grille Support	9358602003	9358602003	9358602003	9358602003	9358602003	9358602003	
473	Filter Bracket	9358607008	9358607008	9358607008	9358607008	9358607008	9358607008	
488	Grill-F	9358532010	9358532010	9358532010	9358532010	9358532010	9358532010	
500	Protect Cover	9358564004	9358564004	9358564004	9358564004	9358564004	9358564004	
502	Support Stay	9358599006	9358599006	9358599006	9358599006	9358599006	9358599006	
503	Louver Shaft	9358557006	9358557006	9358557006	9358557006	9358557006	9358557006	
505	Louver Stopper	9358555002	9358555002	9358555002	9358555002	9358555002	9358555002	
506	Louver Rod	9358559000	9358559000	9358559000	9358559000	9358559000	9358559000	
508	Cosmetic Panel-R	9358535011	9358535011	9358535011	9358535011	9358535011	9358535011	
509	Cosmetic Panel-L	9358536018	9358536018	9358536018	9358536018	9358536018	9358536018	
514	Control Box Cover	9359097006	9359097006	9359097006	9359097006	9359097006	9359097006	
520	Flap Base	9358537015	9358537015	9358537015	9358537015	9358537015	9358537015	
521	Louver Link Cover	9358580003	9358580003	9358580003	9358580003	9358580003	9358580003	
552	Insulation (Eva.)-R	9358575000	9358575000	9358575000	9358575000	9358575000	9358575000	
553	Insulation (Eva.)-L	9358857007	9358857007	9358857007	9358857007	9358857007	9358857007	
554	Flap Link-Upper (Step Motor-V)	9358551004	9358551004	9358551004	9358551004	9358551004	9358551004	
555	Flap Link-Lower (Step Motor-V)	9358552001	9358552001	9358552001	9358552001	9358552001	9358552001	
558	Motor Rod-A (Step Motor-V)	9358550007	9358550007	9358550007	9358550007	9358550007	9358550007	
574-1	Evaporator Fixture-R (Bracket)	9358589007	9358589007	9358589007	9358589007	9358589007	9358589007	
574-2	Evaporator Fixture-L (Bracket)	9358590003	9358590003	9358590003	9358590003	9358590003	9358590003	
577	Catch TL-119	9359096009	9359096009	9359096009	9359096009	9359096009	9359096009	
578	Base Bracket (Reinforcement Metal)	9358586006	9358586006	9358586006	9358586006	9358586006	9358586006	
580	Top Cover	9358534014	9358534014	9358534014	9358534014	9358534014	9358534014	
581	Protector, Metal (Fan Motor)	9359282006	9359282006	9359282006	9359282006	9359282006	9359282006	
588-1	Evaporator Bracket-R	9358587003	9358587003	9358587003	9358587003	9358587003	9358587003	
588-2	Evaporator Bracket-L	9358588000	9358588000	9358588000	9358588000	9358588000	9358588000	
625	Cord Bushing KR-51	9359240006	9359240006	9359240006	9359240006	9359240006	9359240006	
628	Locking Spacer-B	313005446558	313005446558	313005446558	313005446558	313005446558	313005446558	
629-1	EMI Filter	0400247074	0400247074	0400247074	0400247074	0400247074	0400247074	
652-1	Thermistor Holder Pipe	313806262805	313806262805	313806262805	313806262805	313806262805	313806262805	
653-1	Bolt (Fan Motor Fixing)	0700156014	0700156014	0700156014	0700156014	0700156014	0700156014	
653-2	Bolt	0700190018	0700190018	0700190018	0700190018	0700190018	0700190018	
684	Motor Base	9358562000	9358562000	9358562000	9358562000	9358562000	9358562000	
689	Screw, Grip Tapping SN+4016 ZNY w/Grip	9357837000	—	9357837000	—	9357837000	—	
731-2	Holder (Guide Rail)	0600241018	0600241018	0600241018	0600241018	0600241018	0600241018	
743	Remote Control Unit Holder	9305642014	9305642014	9305642014	9305642014	9305642014	9305642014	
755	Casing Cover	9358544006	9358544006	9358544006	9358544006	9358544006	9358544006	
764	Drain Cap	9358746004	9358746004	9358746004	9358746004	9358746004	9358746004	
771	Panel Assy	9359076018	9359076018	9359076018	9359076018	9359076018	9359076018	
735	Distributor As	9373034018	9373034018	9373034018	9373034032	9373034025	9373034025	
790	Coupring Pipe Assy	not available	not available	9373038016	9373038023	9373038023	9373038023	
800	Bypass Pipe Assy	9373032014	9373032014	9373032014	9373032021	9373032021	9373032021	
810	Bypass Pipe B	—	—	—	not available	not available	not available	
815-1	Terminal 3P	9900203016	—	—	—	—	—	
815	Terminal 7P	—	9358660102	—	9358660102	—	9358660102	
824-3	Fuse BET3.15A - 250V	0600222512	0600222512	0600222512	0600222512	0600222512	0600222512	
868	PCB Holder	9358547007	9358547007	9358547007	9358547007	9358547007	9358547007	
870-1	Arm	9358565001	9358565001	9358565001	9358565001	9358565001	9358565001	
870-2	Center Arm	9359280002	9359280002	9359280002	9359280002	9359280002	9359280002	
875	Power Supply PCB Assy	9704561022 (EZ-00101HSE-P)	9704561022 (EZ-00101HSE-P)	9704561022 (EZ-00101HSE-P)	9704561077 (EZ-00210HSE-P)	9704561022 (EZ-00101HSE-P)	9704561077 (EZ-00210HSE-P)	
876-1	Step Motor-H	9359106012	9359106012	9359106012	9359106012	9359106012	9359106012	
876-2	Step Motor-V	9359105015	9359105015	9359105015	9359105015	9359105015	9359105015	
923	Control Box Bracket	9358717004	9358717004	9358717004	9358717004	9358717004	9358717004	
982	Cord Clamp	9357864006	9357864006	—	9357886008	—	9357886008	

OUTDOOR UNIT

When you order parts, please make a photocopy of this page and fill the number of the parts in the "Order" column.

Ref. No.	Description	Part No.		Ord. Q'ty
		AOY14FSDJ	AOY14USDJL	
2	Fan Cover	9304109006	9304109006	
4	Emblem-Rear	9351355005	9351355005	
5	Cabinet, Painted	9302936017	9302936017	
7	Connector Cover (Cabinet)	9357970004	9357970004	
9	Cabinet Rear Panel	9303744017	9303744017	
12	Base Assy, Painted	9310889077	9310889077	
13	3-Way Valve	9372205105	9372205105	
14	2-Way Valve	9372204030	9372204030	
16	Condenser Assy	9373131045	9373131014	
18	Suction Pipe	9364832005	9364827001	
20	Discharge Pipe Assy	9364830001	—	
32-2	Control Box Metal-A	9355843003	9355843003	
34	Capacitor (Fan Motor)	9704305039	9704305039	
37	Running Capacitor	9704436115	9704436115	
38	Capacitor Clamp Metal	313468061808	313468061808	
39	Propeller Fan Assy	9351589011	9351589011	
42	Bracket (Motor)	313166243804	313166243804	
51	Special Nut M5 (For Comp.)	9359430018	9359430018	
55	Special Nut M8 (For Comp.)	9355091008	9355091008	
98	Fan Ring	313166296109	313166296109	
105	Compressor Assy	9364723006	9364723006	
107	Rubber Seat-A (For Comp.)	9359425014	9359425014	
109	Terminal Cover (For Comp.)	9364724003	9364724003	
138	Separate Wall Assy	9303729014	9303729014	
164	Fan Motor Assy-Out	9601113010	9601113010	
259	Muffler	—	313505083900	
272	Strainer	9357309002	9301340006	
329	Coupling Pipe Assy	not available	not available	
344	4-Way Valve	—	9970036019	
373	Grip	313166178700	313166178700	
412	Terminal Gasket (For Comp.)	9351921019	9351921019	
420	Capillary Assy	9372197189	9372197110	
423	Noise Insulation-F	9350944019	9350944019	
527	Protection Net	9355444002	9355444002	
734	Cabinet Top Plate	9302937014	9302937014	
745	Motor Support	313166036308	313166036308	
982-1	Cord Clamp	9356857009	9356857009	
982-2	Cord Clamp-B	9356858006	9356858006	

**OUTDOOR UNIT (Continued)**

When you order parts, please make a photocopy of this page and fill the number of the parts in the "Order" column.






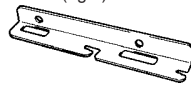




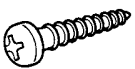



Ref. No.	Description	Part No.		Ord. Q'ty
		AOY18FNBK	AOY24FNBK	
2	Fan Guard	9371187013	9371187013	
4	Emblem-Rear	9351355005	9351355005	
5	Front Panel Ptd	9371924014	9371924014	
7	Connector Cover (Cabinet)	9366398004	9366398004	
8	Wire Assy (Comp)	9372334010	9372334010	
9	Side Panel R Ptd	9371927015	9371927015	
12	Base Assy, Ptd	9371920054	9371920016	
13	3-Way Valve Assy	9372205013	9372205013	
14	2-Way Valve Assy	9372204016	9372204023	
16	Condenser Assy	9372181041	9372181027	
26	Compressor Cover	9372327012	9372327012	
29	Separate Wall	9371933016	9371933016	
32	Control Box	9371935010	9371935010	
34	Capacitor, Plastic	9900130022	9900130022	
37	Running Capacitor	9703107122	9703107023	
38	Capacitor Clamp Metal	9351770013	313791061807	
39	Propeller Fan Assy	9366378013	9366378013	
41	Motor Induct	9601671022	9601671022	
45-1	Motor Bracket	9371929019	9371929019	
45-2	Motor Bracket-Top	9371931012	9371931012	
45-3	Motor Bracket Center	9371930015	9371930015	
45-4	Motor Bracket Bottom	9371932019	9371932019	
46	Compressor Assy	9372558027	9372558010	
47-1	Rubber (Discharge Pipe)	313194159807	313194159807	
51	Special Nut M5	9300301015	9300301015	
55	Special Nut M8	9355091008	9355091008	
64	Side Panel L Ptd	9371926018	9371926018	
69-3	Bolt, Hex. Socket	301210060360	301210060360	
85	Valve Plate Ptd	9371928012	9371928012	
107	Rubber Seat-A	9351049010	9351049010	
109	Terminal Cover (Comp)	9371511016	9371511016	
187	Clip (Cable)	9352715006	9352715006	
218-3	Relay	9900074012	9900074012	
272	Strainer	9369287008	9369287008	
412	Cover Gasket (Comp.)	9371512013	9371512013	
527	Protective Net	9371934013	9371934013	
734	Top Plate	9371925011	9371925011	
735-3	Capillary Assy	9372197066	9372197059	
754	Terminal Gask. Washer	9351053017	9351053017	
815	Terminal-5P	9356497021	9356497021	
823-3	Fuse Holder	0500063024	0500063024	
824-4	Fuse	0600222529	0600222529	
982-1	Cord Clamp-A	9359822011	9359822011	
982-2	Cord Clamp-B	9359823018	9359823018	

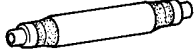


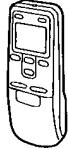



Ref. No.	Description	Part No.		Ord. Q'ty
		AOY18UNBKL	AOY24UNBKL	
2	Fan Guard	9371187013	9371187013	
4	Emblem-Rear	9351355005	9351355005	
5	Front Panel Ptd	9371924014	9371924014	
7	Connector Cover (Cabinet)	9366398004	9366398004	
8	Wire Assy (Comp)	9372334010	9372334010	
9	Side Panel R Ptd	9371927015	9371927015	
12	Base Assy, Ptd	9371920054	9371920016	
13	3-Way Valve Assy	9372205013	9372205013	
14	2-Way Valve Assy	9372204016	9372204023	
16	Condenser Assy	9372181034	9372181010	
26	Compressor Cover A	9372327012	9372327012	
29	Separate Wall	9371933016	9371933016	
32	Control Box	9371935010	9371935010	
34	Capacitor, Plastic	9900130022	9900130022	
37	Running Capacitor	9703107122	9703107023	
38	Capacitor Clamp Metal	9351770013	313791061807	
39	Propeller Fan Assy	9366378013	9366378013	
41	Motor Induct	9601671015	9601671015	
45-1	Motor Bracket	9371929019	9371929019	
45-2	Motor Bracket-Top	9371931012	9371931012	
45-3	Motor Bracket Ctr	9371930015	9371930015	
45-4	Motor Bracket Bottom	9371932019	9371932019	
46	Compressor Assy	9372558027	9372558010	
51	Special Nut M5	9300301015	9300301015	
55	Special Nut M8	9355091008	9355091008	
64	Side Panel L Ptd	9371926018	9371926018	
69-3	Bolt, Hex. Socket	301210060360	301210060360	
85	Valve Plate Ptd	9371928012	9371928012	
107	Rubber Seat-A	9351049010	9351049010	
109	Terminal Cover (Comp)	9371511016	9371511016	
187	Clip (Cable)	9352715006	9352715006	
199	Br Sheet	9363708059	-----	
218-3	Relay	9900074012	9900074012	
259	Muffler	9372369012	-----	
271	4-Way Valve Rubber	313728251908	313728251908	
272	Strainer	9369287008	9369287008	
333	Accumulator	-----	9368391003	
343	Solenoid	9900165017	9900165017	
344	4-Way Valve	9970036019	9900163013	
361	Accum Support Assy	-----	9372252017	
412	Cover Gasket (Comp.)	9371512013	9371512013	
527	Protective Net	9371934013	9371934013	
734	Top Panel	9371925011	9371925011	
735-3	Capillary Assy	9372197042	9372197028	
754	Terminal Gask. Washer	9351053017	9351053017	
815-3	Terminal-5P	9358660119	9358660119	
823-2	Fuse Holder	0500063024	0500063024	
824-4	Fuse	0600222529	0600222529	
982-1	Cord Clamp-A	9359822011	9359822011	
982-2	Cord Clamp-B	9359823018	9359823018	

# STANDARD ACCESSORIES

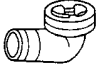

The following installation parts are furnished. Use them as required.

## INDOOR UNIT ACCESSORIES


Name and Shape	Q'ty	Application	Parts No.
Cover plate (left) 	1		9358536018
Cover plate (right) 	1		9358535011
Tapping screw (Ø4x10) 	2		301171164104
Installation template 	1	For positioning the indoor unit For under ceiling type	9359107002
Bracket (left) 	1	For suspending the indoor unit from ceiling	9358596005
Bracket (right) 	1		9358595008
Anchor bolt (M12) 	4		313806339400
Special nut 	4		
Spring washer 	4		301821112213
Wall bracket 	2	For suspending the indoor unit on the wall.	9358597002
Tapping screw (Ø4x20) 	6	For fixing the wall bracket.	301141164200
Coupler heat insulator (large) 	1	For indoor side pipe joint (Large pipe)	9350716012
Coupler heat insulator (small) 	1	For indoor side pipe joint (Small pipe)	313209328104
Nylon fastener 	1	For fixing the drain hose	312300787605

Name and Shape	Q'ty	Application	Parts No.
Drain hose 	1		9359242000
Insulation (drain hose) 	1	Adhesive type 70 x 230	9359225003
VT wire 	1	For fixing the drain hose L 280 mm	313806350303
Remotecontrol unit 	1	Use for air conditioner operation	9371190020 (for cooling model) 9371190013 (for cooling & heating model)
Battery (penlight) 	2	For remote control unit	0600185534
Remotecontrol unit holder 	1	Use as remote control unit holder	9305642014
Tapping screw $\sim(\varnothing 3 \times 12)$ 	2	For remote control unit holder installation	301141533125

#### OUTDOORUNIT ACCESSORIES

Name and Shape	Q'ty	Application
Drain pipe 	1	For outdoor unit drain piping work [Heat & Cool model (Reverse cycle) only]
Drain cap 	2	

#### OPTIONAL PARTS FOR INDOOR UNIT

Name and Shape	Part No.	Application
Joint pipe-A 	9302812021	For indoor side pipe joint

