

**SPLIT TYPE
ROOM AIR CONDITIONER
WALL MOUNTED type**

**SERVICE
MANUAL**



Models

| Indoor unit | Outdoor unit |
|--------------------|---------------------|
| ASYA14LCC | AOYR14LCC |
| ASYA18LCC | AOYR18LCC |

CONTENTS

SPECIFICATIONS 1
DIMENSIONS 2
REFRIGERANT SYSTEM DIAGRAM 3
CIRCUIT DIAGRAM 4
INDOOR PCB CIRCUIT DIAGRAM 5
OUTDOOR PCB CIRCUIT DIAGRAM 6
ERROR CONTENTS 8
DISASSEMBLY ILLUSTRATION 9
PARTS LIST 13
STANDARD ACCESSORIES 15

SPECIFICATIONS

| | | |
|------------------|----------------------|-----------|
| TYPE | COOL & HEAT INVERTER | |
| INDOOR UNIT | ASYA14LCC | ASYA18LCC |
| OUTDOOR UNIT | AOYR14LCC | AOYR18LCC |
| COOLING CAPACITY | 4.20 kW | 5.20 kW |
| HEATING CAPACITY | 5.60 kW | 6.25 kW |

ELECTRICAL DATA

| | | | |
|----------------------|---------|------------|------------|
| POWER SOURCE | | 230 V | |
| FREQUENCY | | 50 Hz | |
| RUNNING CURRENT | COOLING | 5.0 A | 7.6 A |
| | HEATING | 6.4 A | 7.7 A |
| INPUT WATTS | COOLING | 1.11 kW | 1.72 kW |
| | HEATING | 1.45 kW | 1.73 kW |
| E.E.R. | COOLING | 3.78 kW/kW | 3.02 kW/kW |
| COP | HEATING | 3.86 kW/kW | 3.61 kW/kW |
| MOISTURE REMOVAL | | 2.1 L/hr | 2.8 L/hr |
| AIR CIRCULATION-High | COOLING | 700 m3/hr | 700 m3/hr |
| | HEATING | 700 m3/hr | 700 m3/hr |

COMPRESSOR

| | | |
|----------------|---|---------|
| TYPE | Hermetic type, 4 pole, 3 phase, DC inverter motor, Rotary | |
| DISCRIMINATION | DA130A1F-25F | |
| REFRIGERANT | R410A | 1,150 g |

FAN MOTOR

| | | | |
|------------------------------|------------|-----------------------------|------------------|
| POWER SOURCE | | 230 V | |
| INDOOR UNIT (cool / heat) | HIGH-SPEED | 1,480 r.p.m. / 1,480 r.p.m. | |
| | MED-SPEED | 1,260 r.p.m. / 1,300 r.p.m. | |
| | LOW-SPEED | 1,040 r.p.m. / 1,110 r.p.m. | |
| | QUIET | 850 r.p.m. / 950 r.p.m. | |
| OUTDOOR UNIT (cool / heat) | | 820 / 750 r.p.m. | 860 / 820 r.p.m. |

DIMENSIONS

| | | |
|--------------|-----------|--------------------|
| INDOOR UNIT | H x W x D | 275 x 790 x 215 mm |
| OUTDOOR UNIT | H x W x D | 578 x 790 x 300 mm |

WEIGHT

| | | |
|--------------|-------------|------------|
| INDOOR UNIT | GROSS / NET | 12 / 9 kg |
| OUTDOOR UNIT | GROSS / NET | 44 / 40 kg |

NOISE LEVEL

| | | | |
|------------------------------|------------|---------------|---------------|
| INDOOR UNIT (cool / heat) | HIGH-SPEED | 44 dB / 42 dB | |
| | MED-SPEED | 38 dB / 37 dB | |
| | LOW-SPEED | 32 dB / 32 dB | |
| | QUIET | 25 dB / 27 dB | |
| OUTDOOR UNIT (cool / heat) | | 48 dB / 49 dB | 50 dB / 50 dB |

REFRIGERANT (R410A)

| | | | |
|------------------------|-------------|----------|---------|
| FULL CHARGE AMOUNT | Pipe Length | 15 m | 1,150 g |
| | | 20 m | 1,250 g |
| ADDITIONAL REFRIGERANT | | 20 g / m | |
| MAXIMUM PIPE HEIGHT | | 15 m | |

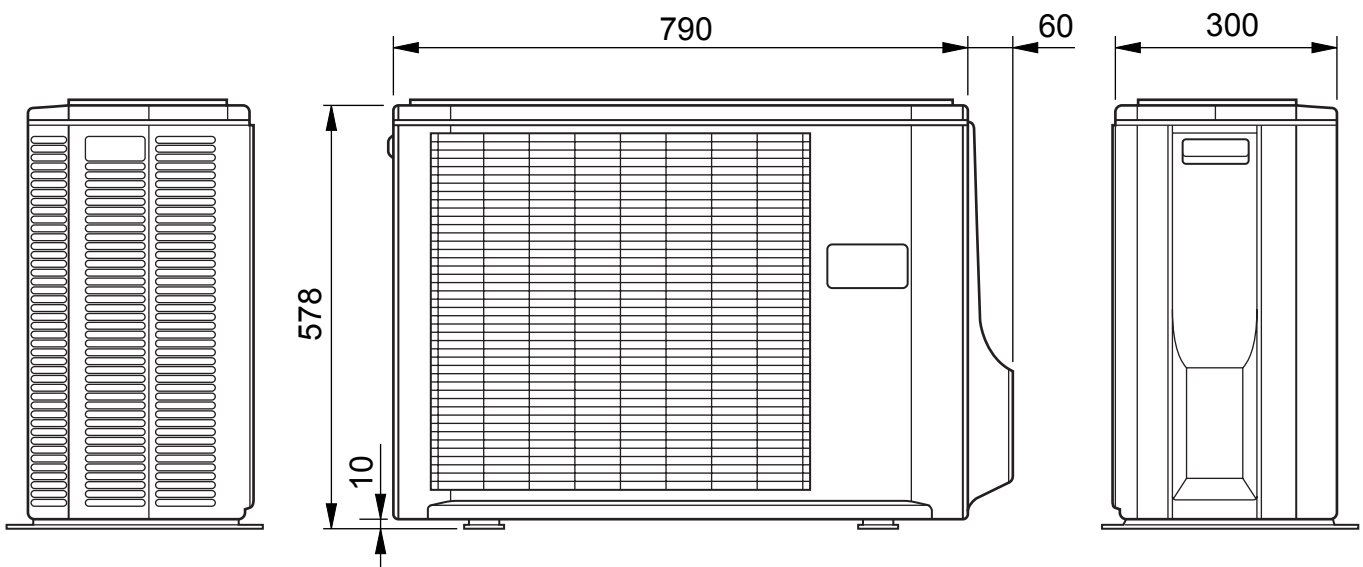
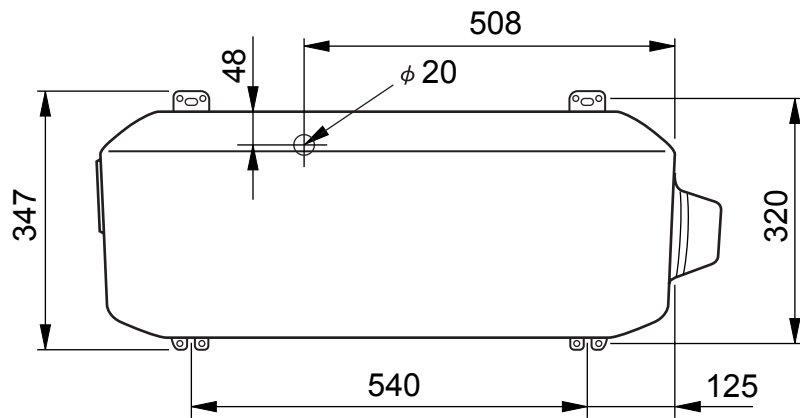
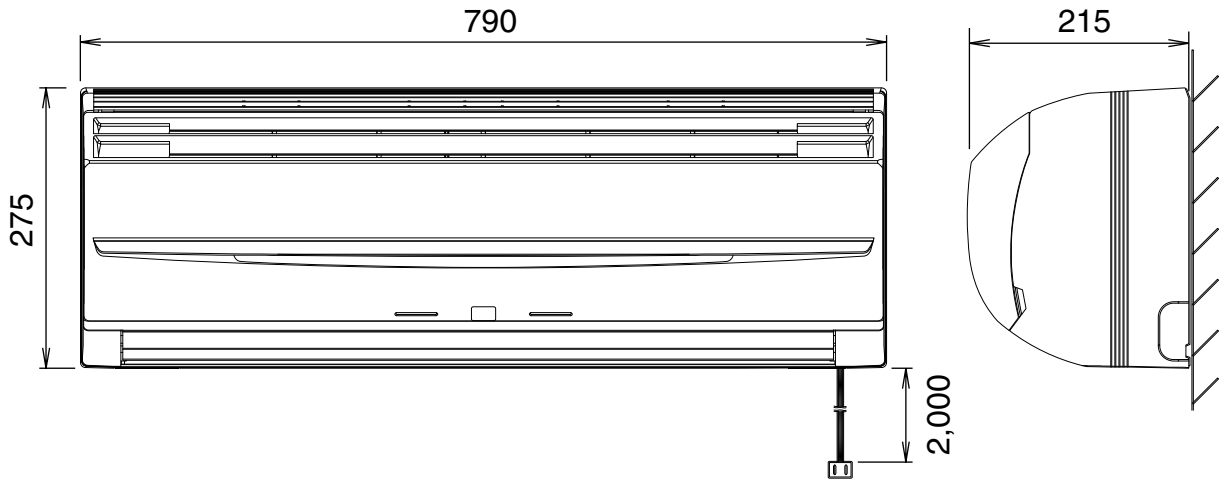
DIMENSIONS

Models :

ASYA14LCC / AOYR14LCC

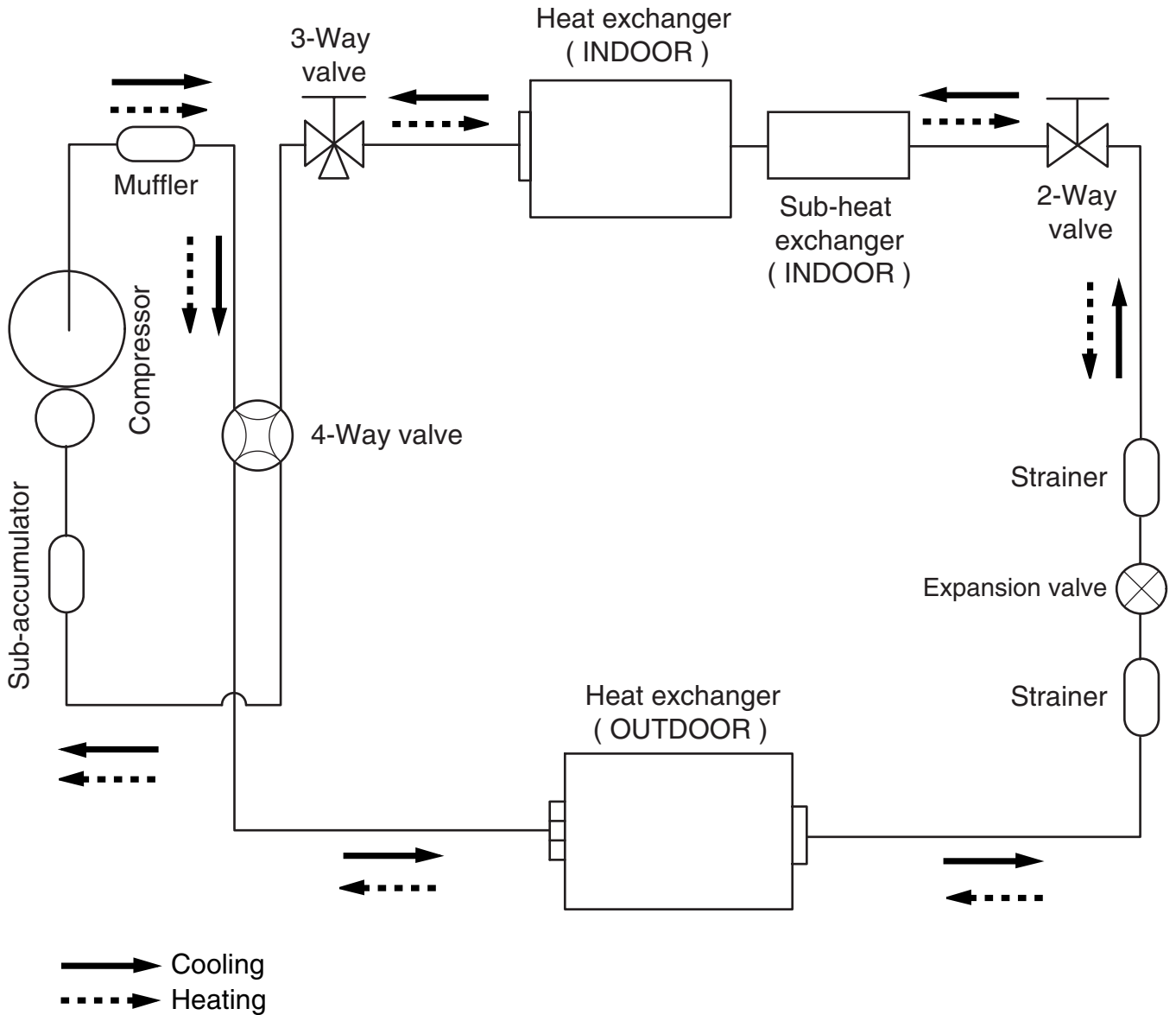
ASYA18LCC / AOYR18LCC

(unit : mm)



REFRIGERANT SYSTEM DIAGRAM

Models :
 ASYA14LCC / AOYR14LCC
 ASYA18LCC / AOYR18LCC



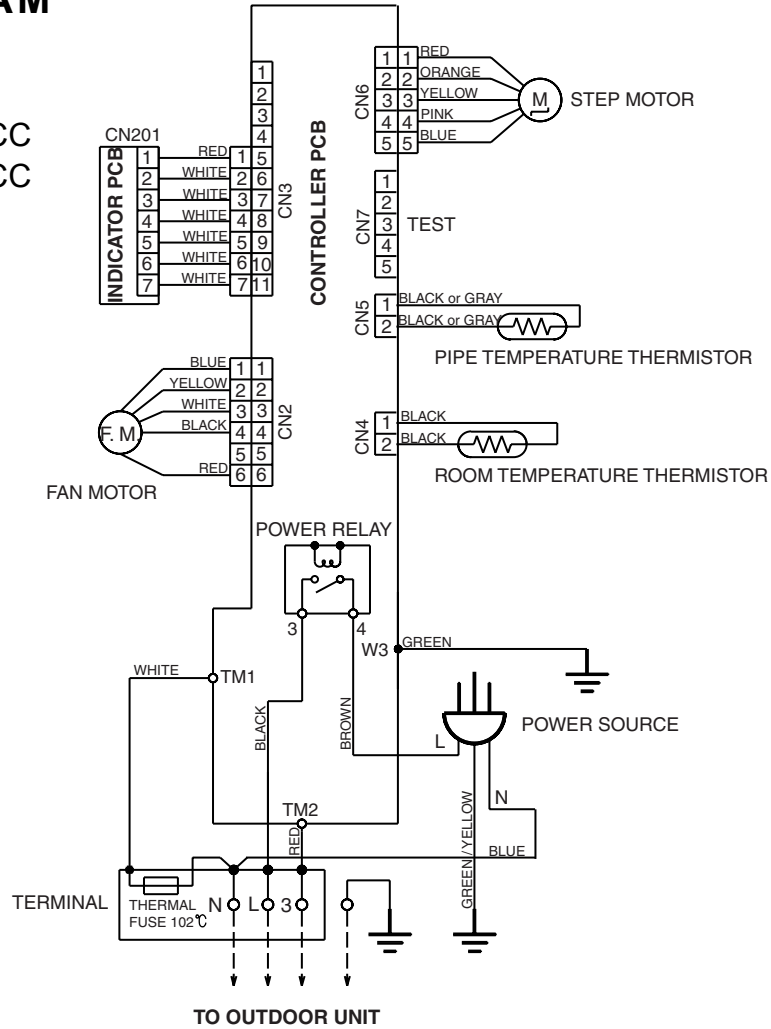
Refrigerant pipe diameter
 Liquid : 1/4" (6.35 mm)
 Gas : 1/2" (12.7 mm)

CIRCUIT DIAGRAM

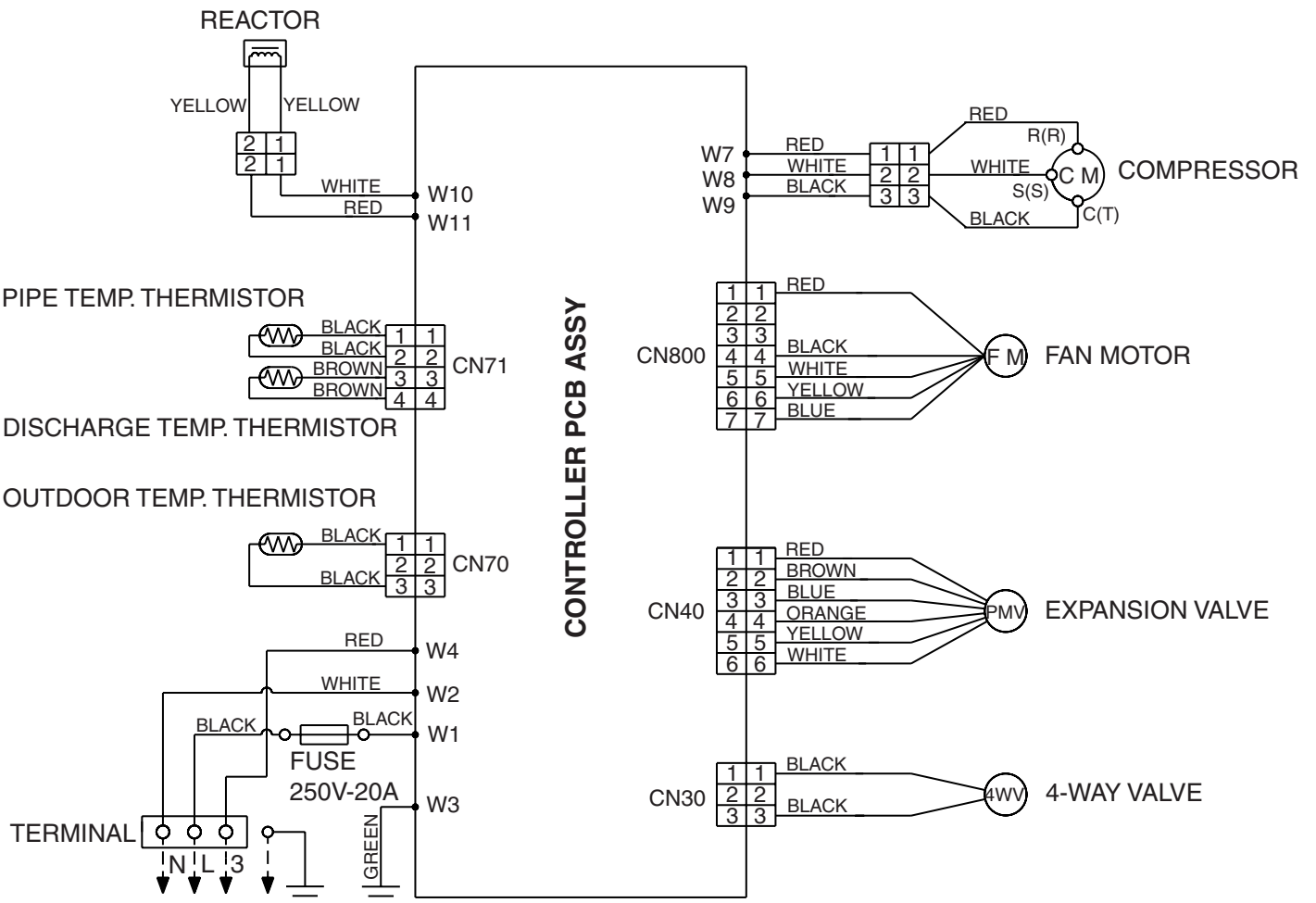
Models :

ASYA14LCC / AOYR14LCC
 ASYA18LCC / AOYR18LCC

INDOOR UNIT

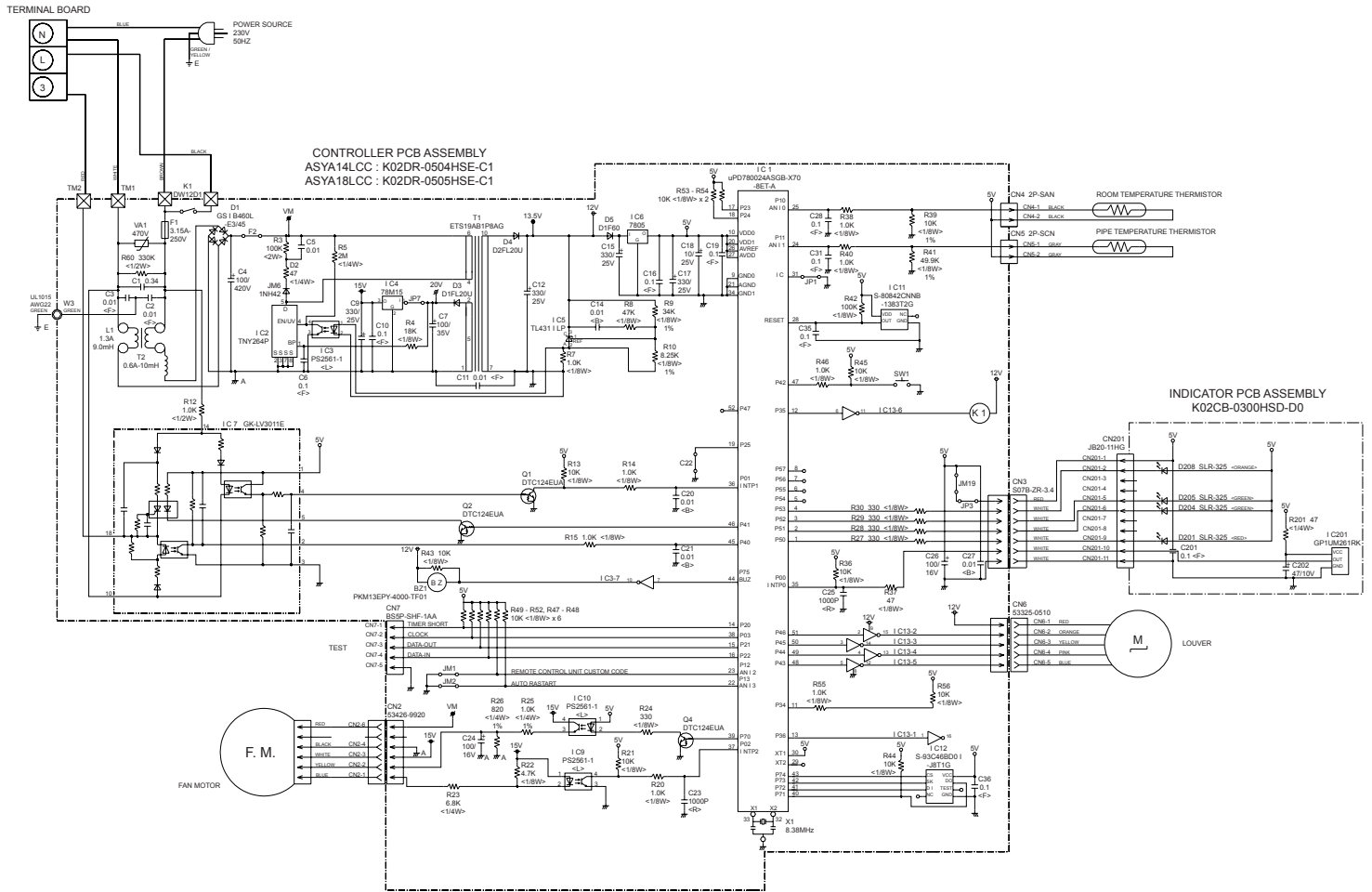


OUTDOOR UNIT



INDOOR PCB CIRCUIT DIAGRAM

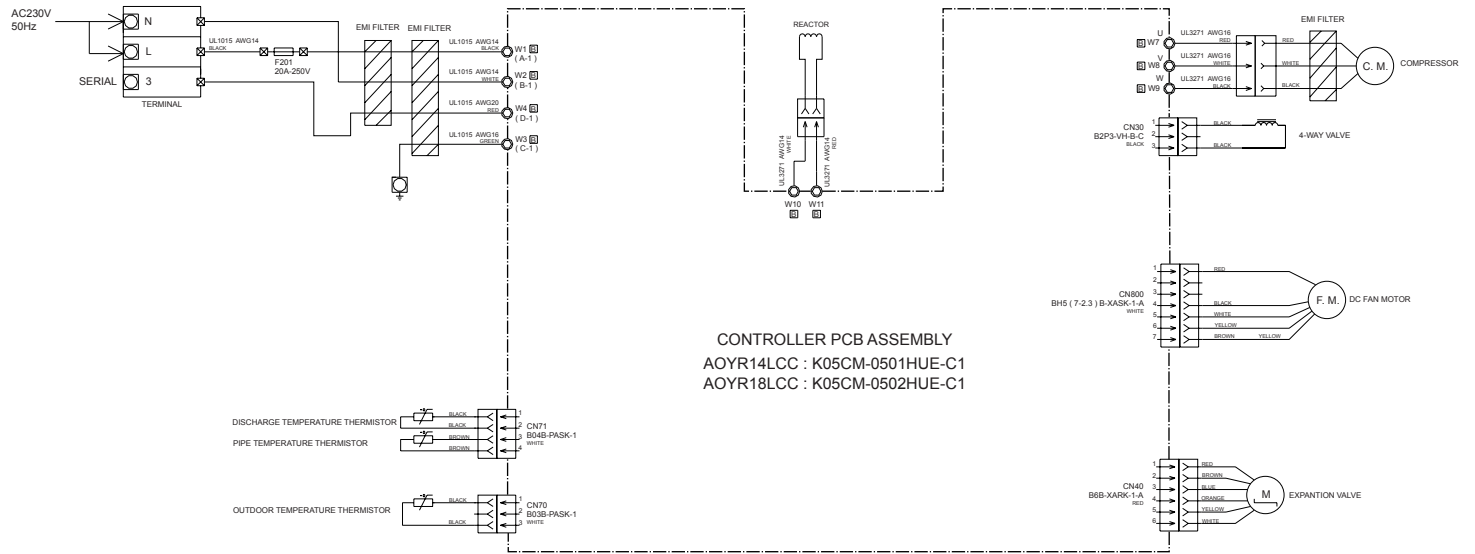
Models :
 ASYA14LCC, ASYA18LCC



OUTDOOR PCB CIRCUIT DIAGRAM

Models :
AOYR14LCC, AOYR18LCC

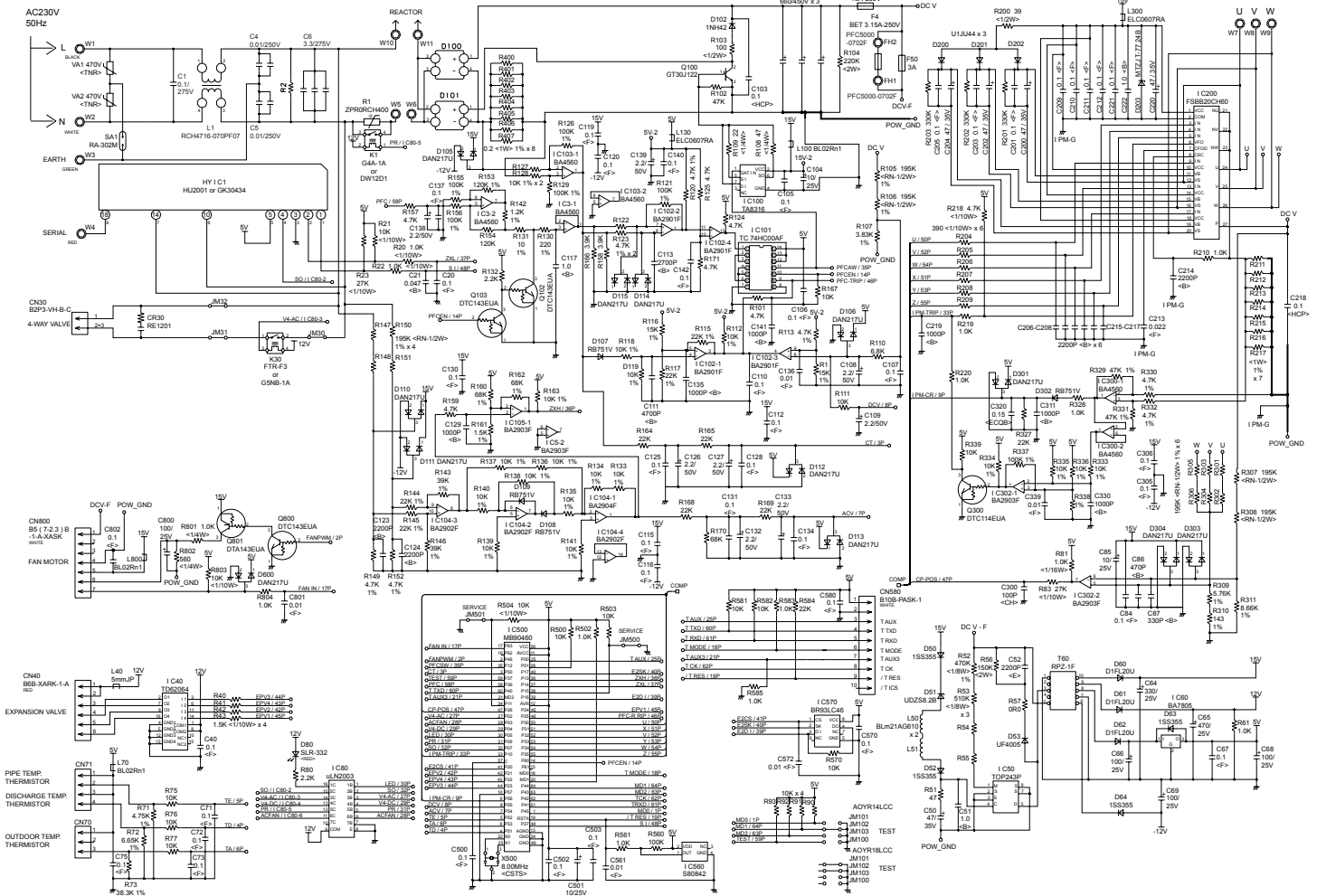
INVERTER ASSEMBLY AOYR14LCC : EZ-0055HUE AOYR18LCC : EZ-005WHUE



CONTROLLER PCB ASSEMBLY AOYR14LCC : K05CM-0501HUE-C1 AOYR18LCC : K05CM-0502HUE-C1

Models :
 AOYR14LCC, AOYR18LCC

CONTROLLER PCB ASSEMBLY
 AOYR14LCC : K05CM-0501HUE-C1
 AOYR18LCC : K05CM-0502HUE-C1



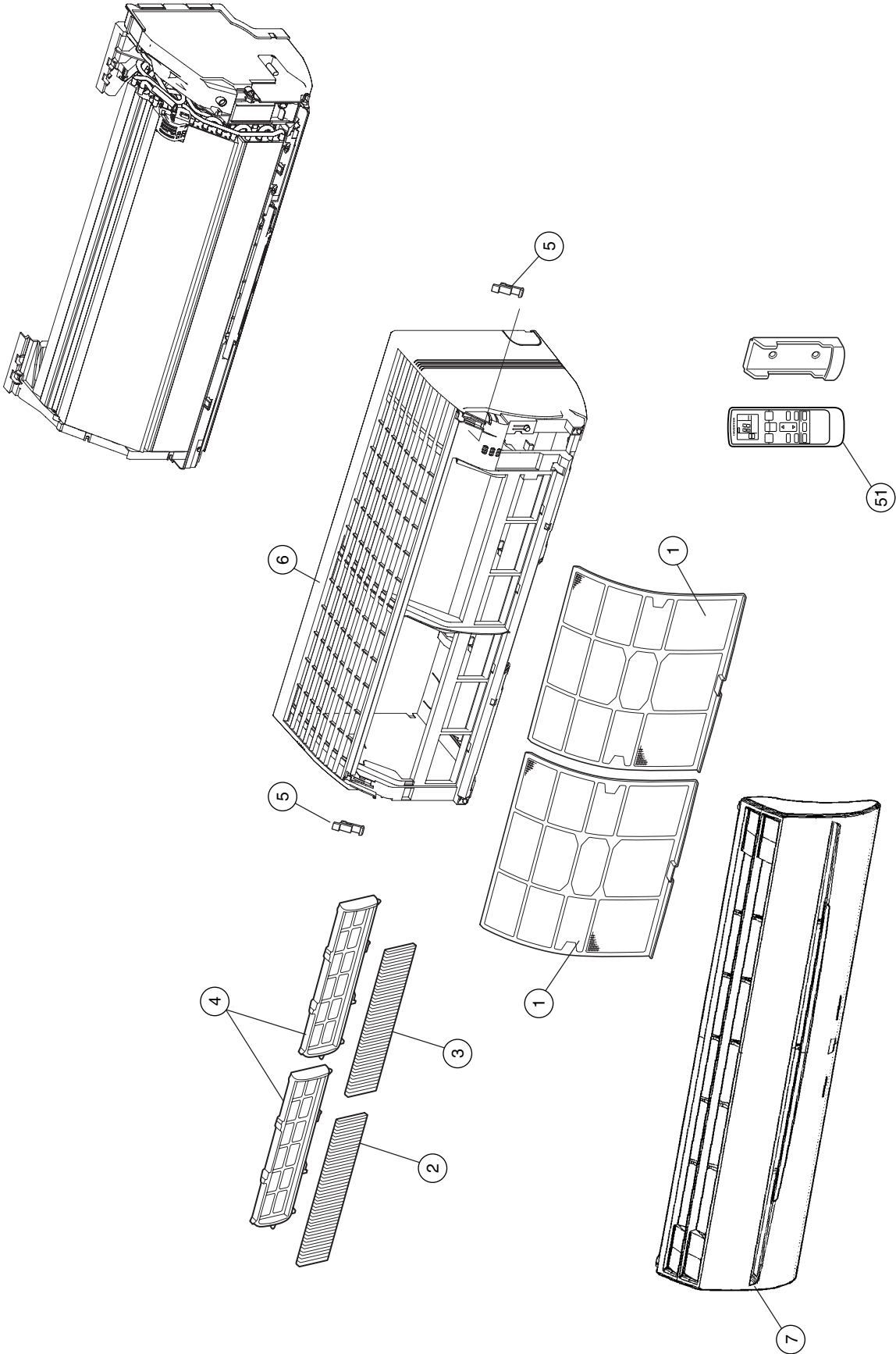
ERROR CONTENTS

Model : ASYA14LCC, ASYA18LCC

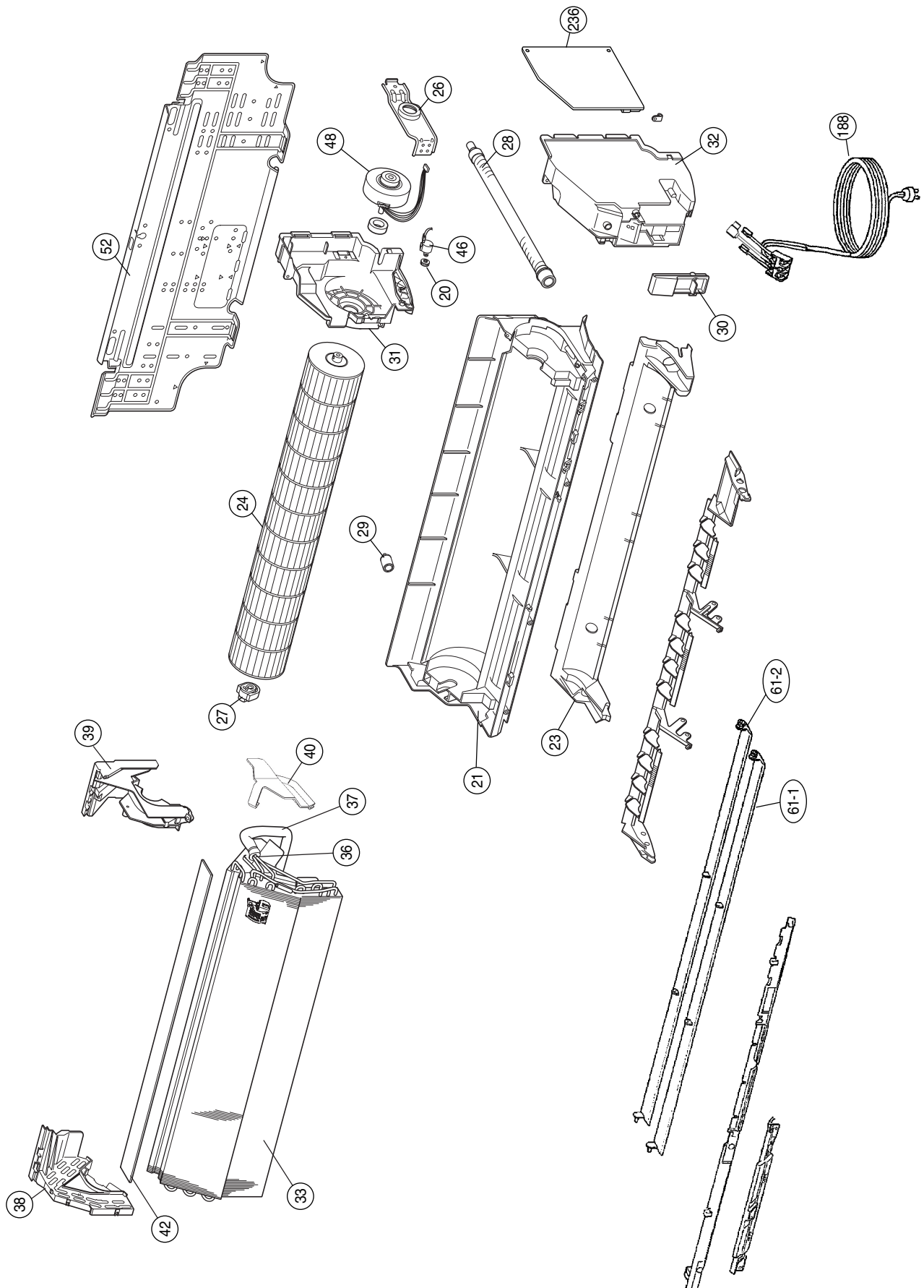
| Error | Display | | Error |
|-------------------------------|---------------|-----------|--|
| | Operation LED | Timer LED | |
| Serial signal error | Normal | 2 flash | Serial signal (reverse) error, at operation start up |
| | | 3 flash | Serial signal (reverse) error, during operation |
| | | 4 flash | Serial signal (forward) error, at operation start up |
| | | 5 flash | Serial signal (forward) error, during operation |
| Indoor unit thermistor error | 2 flash | 2 flash | Indoor temperature thermistor open / short |
| | | 3 flash | Heat exchanger middle thermistor open / short |
| Outdoor unit thermistor error | 3 flash | 2 flash | Discharge thermistor open / short |
| | | 3 flash | Heat exchanger thermistor open |
| | | 4 flash | Outdoor temperature thermistor open / short |
| Indoor unit control error | 4 flash | 2 flash | Forced automatic SW welded |
| | | 3 flash | Main relay welded |
| | | 4 flash | Power interruption error |
| | | 7 flash | VDD permanent stop protection |
| | | 8 flash | reverse VDD permanent stop protection |
| Outdoor unit control error | 5 flash | 2 flash | Current trip error |
| | | 3 flash | CT abnormal |
| | | 5 flash | Compressor location detection error |
| | | 6 flash | Outdoor unit fan drive system abnormal |
| Indoor fan motor error | 6 flash | 2 flash | Abnormal lock |
| | | 3 flash | Abnormal rotation |
| Refrigerant cycle error | 7 flash | 2 flash | Discharge Temperature abnormal |
| | | 3 flash | Cooling high pressure abnormal rise |
| Optional function error | 8 flash | 4 flash | PFC circuit error |
| Model error | Blinking | Blinking | Model error |

DISASSEMBLY ILLUSTRATION

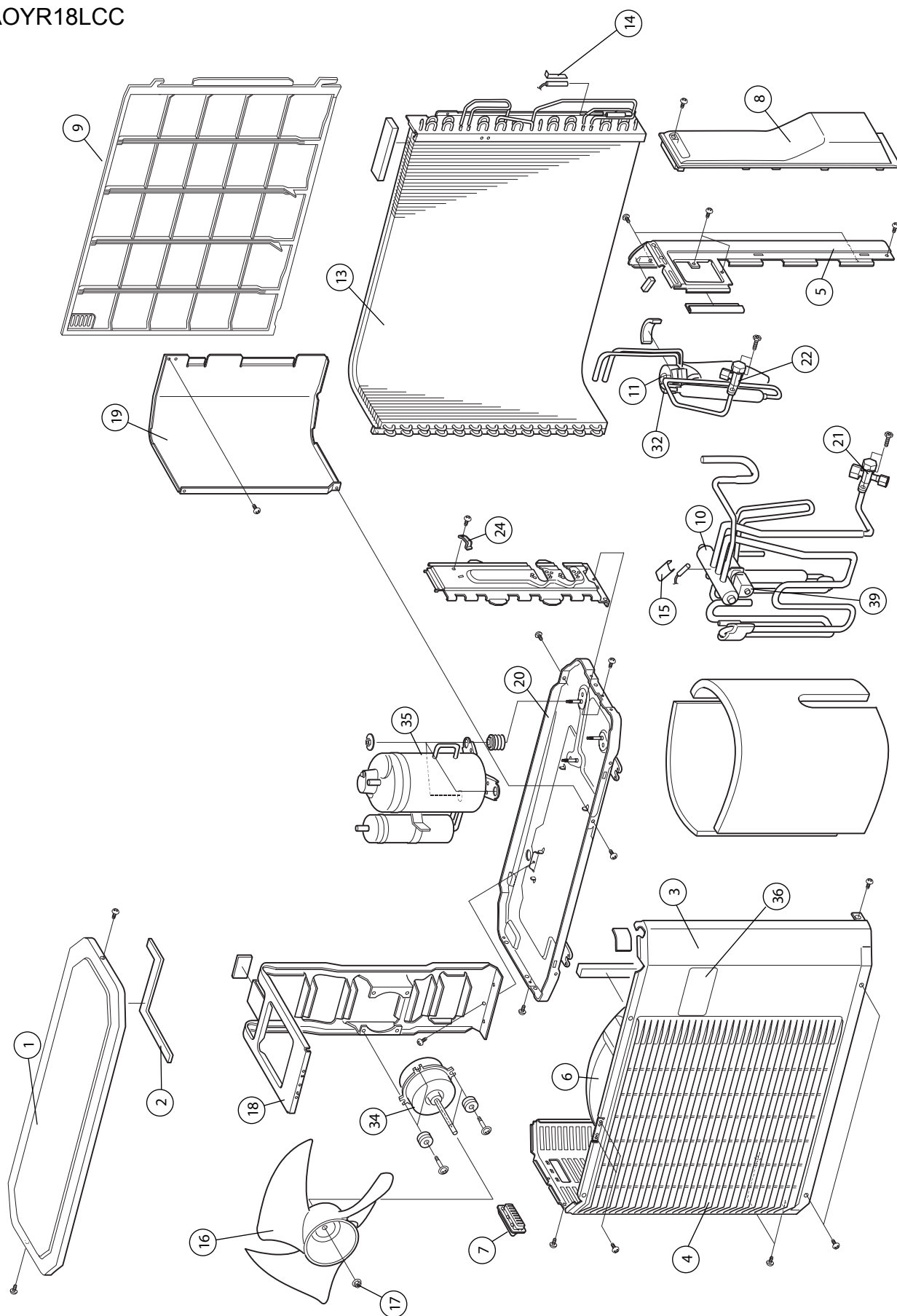
Models :
ASYA14LCC
ASYA18LCC



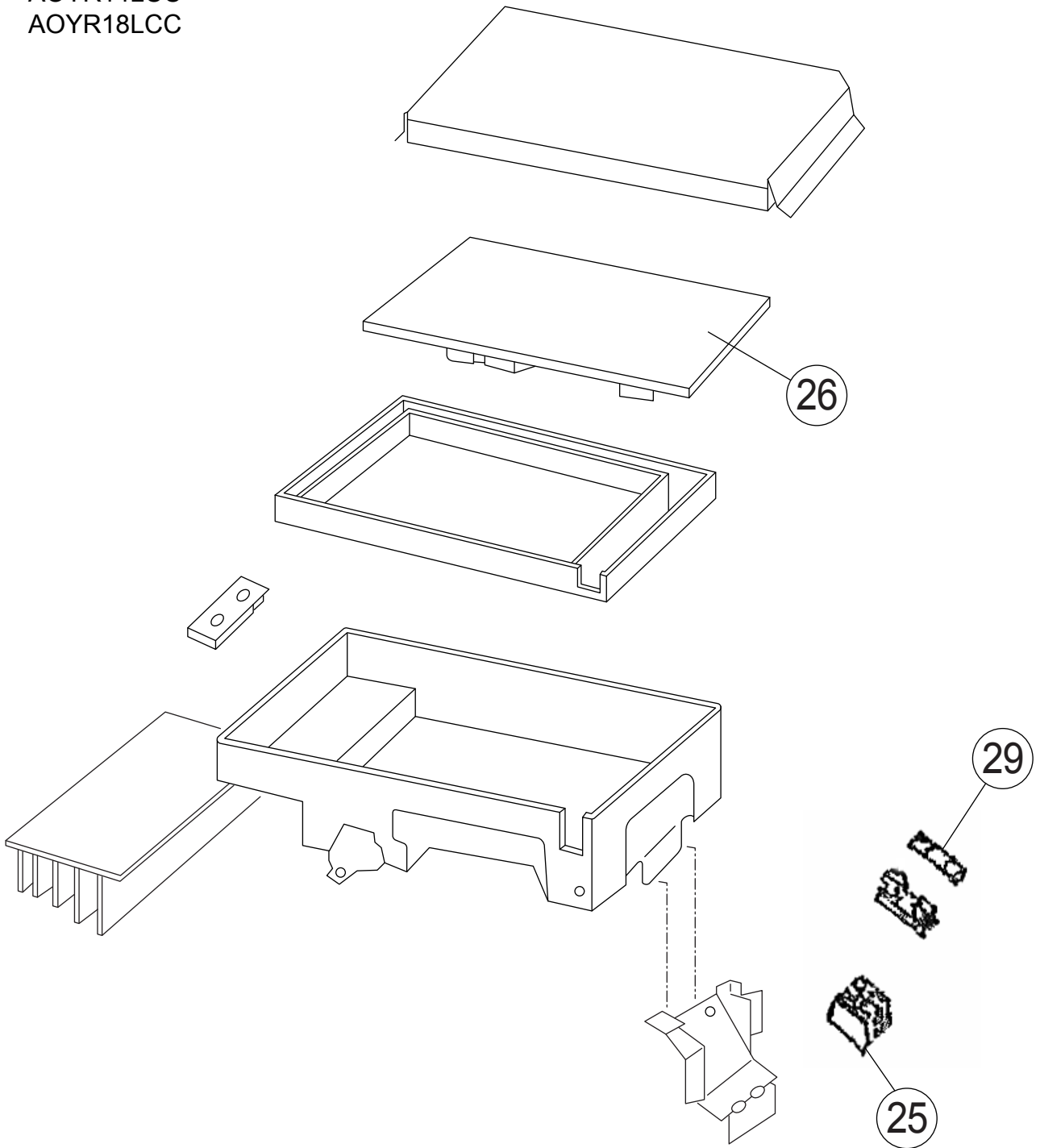
Models :
ASYA14LCC
ASYA18LCC



Models :
AOYR14LCC
AOYR18LCC



Model :
AOYR14LCC
AOYR18LCC



PARTS LIST

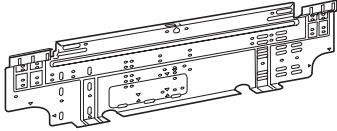



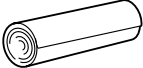


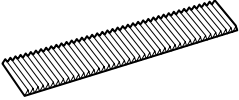
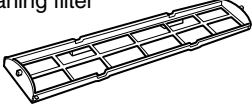
INDOOR UNIT

| Ref. No. | Description | Part No. | | Ord. Q'ty |
|----------|-----------------------------|--------------------|--------------------|-----------|
| | | ASYA14LCC | ASYA18LCC | |
| 1 | Air Filter | 9309997011 | 9309997011 | |
| 2 | Filter (Electric) | 9312153015 | 9312153015 | |
| 3 | Filter (ION) | 9311925033 | 9311925033 | |
| 4 | Holder (Filter) | 9306602017 | 9306602017 | |
| 5 | Clamper (Grille) | 9306755010 | 9306755010 | |
| 6 | Front Panel Total Assy | 9313130169 | 9313130169 | |
| 7 | Intake Grille Assy | 9313131128 | 9313131128 | |
| 20 | Gear-A | 9309994003 | 9309994003 | |
| 21 | Casing Assy | 9311354079 | 9311354079 | |
| 23 | Cover (Casing)-B | 9314160011 | 9314160011 | |
| 24 | Crossflow Fan Assy | 9307836015 | 9307836015 | |
| 26 | Clamp (Motor) | 9310102008 | 9310102008 | |
| 27 | Shaft Holder-C Assy | 9306628017 | 9306628017 | |
| 28 | Drain Hose Assy | 9314147012 | 9314147012 | |
| 29 | Drain Cap Assy | 9314493010 | 9314493010 | |
| 30 | Wire Clamper | 9311946014 | 9311946014 | |
| 31 | Box (Switch) | 9312908011 | 9312908011 | |
| 32 | Cover (Switch) | 9312909018 | 9312909018 | |
| 33 | Evaporator Total Assy | 9313099015 | 9313099015 | |
| 36 | Joint Pipe Assy | 9313792015 | 9313792015 | |
| 37 | Insulation (Pipe)-E | 9304607007 | 9304607007 | |
| 38 | Holder (Evaporator)-L | 9309982017 | 9309982017 | |
| 39 | Holder (Evaporator)-R | 9309983014 | 9309983014 | |
| 40 | Water Seal | 9312912018 | 9312912018 | |
| 42 | Air Seal | 9310611005 | 9310611005 | |
| 46 | Step Motor | 9900139025 | 9900139025 | |
| 48 | Fan Motor Assy | 9601814016 | 9601814016 | |
| 51 | Remote Control Unit | 9315027030 | 9315027030 | |
| 52 | Bracket Panel | 9310001004 | 9310001004 | |
| 61-1 | Flow Control Panel-U | 9309991033 | 9309991033 | |
| 61-2 | Flow Control Panel-Z | 9309992030 | 9309992030 | |
| 188 | Power Cord Assy | 9900339012 | 9900339012 | |
| 236 | Controller PCB Assy | 9705656116 | 9705656123 | |
| | | (K02DR-0504HSE-C1) | (K02DR-0505HSE-C1) | |
| --- | Pipe Temperature Thermistor | 9702039042 | 9702039042 | |
| --- | Room Temperature Thermistor | 9700801108 | 9700801108 | |
| --- | Indicator PCB Assy | 9705039032 | 9705039032 | |
| --- | Evaporator B Assy | 9311275022 | 9311275022 | |

OUTDOOR UNIT

| Ref. No. | Description | Part No. | | Ord. Q'ty |
|----------|--------------------------|--------------|--------------|-----------|
| | | AOYR14LCC | AOYR18LCC | |
| 1 | Top Panel Assy | 9309230057 | 9309230057 | |
| 2 | Top Panel Seal | 9309228016 | 9309228016 | |
| 3 | Cabinet Assy | 9314809040 | 9314809040 | |
| 4 | Blow Down Grille | 9308884015 | 9308884015 | |
| 5 | Cabinet Right Assy | 9309236011 | 9309236011 | |
| 6 | Fan Ring | 9308885012 | 9308885012 | |
| 7 | Grip | 9308880017 | 9308880017 | |
| 8 | Switch Cover | 9308882028 | 9308882028 | |
| 9 | Protective Net | 9315319012 | 9315319012 | |
| 10 | 4-Way Valve Assy | 9315726018 | 9315726018 | |
| 11 | Expansion Valve Assy | 9311641018 | 9311641018 | |
| 13 | Condenser | 9311381037 | 9311381037 | |
| 14 | Thermistor Spring-A | 313728262708 | 313728262708 | |
| 15 | Thermistor Spring | 9300089012 | 9300089012 | |
| 16 | Propeller Fan | 9309909014 | 9309909014 | |
| 17 | Nut | 9304902003 | 9304902003 | |
| 18 | Motor Bracket | 9308872012 | 9308872012 | |
| 19 | Separator Assy | 9312971015 | 9312971015 | |
| 20 | Base Assy, Painted | 9308869081 | 9308869081 | |
| 21 | 3-Way Valve Assy | 9315159014 | 9315159014 | |
| 22 | 2-Way Valve Assy | 9313064013 | 9313064013 | |
| 24 | Cord Clamp | 9307271014 | 9307271014 | |
| 25 | Terminal | 9306489038 | 9306489038 | |
| 26 | Inverter PCB Assy | 9707039023 | 9707039030 | |
| 29 | Fuse | 0600382018 | 0600382018 | |
| 32 | Expansion Valve Coil | 9900057039 | 9900057039 | |
| 34 | Fan Motor | 9601725015 | 9601725015 | |
| 35 | Compressor Assy | 9313764012 | 9313764012 | |
| 36 | Emblem | 9315210012 | 9315210012 | |
| 39 | Solenoid Coil | 9970033018 | 9970033018 | |
| --- | IPM | 9705720015 | 9705720015 | |
| --- | Thermistor Assy | 9900148027 | 9900148027 | |
| --- | Outdoor Temp. Thermistor | 9900210045 | 9900210045 | |

STANDARD ACCESSORIES

| Name and Shape | Part No. |
|--|------------|
| Wall hook bracket  | 9310001004 |
| Remote control unit  | 9315027030 |
| Remote control unit holder  | 9305642045 |
| Battery (penlight)  | 0600185527 |
| Cloth tape  | 9310519004 |
| Tapping screw (big) (ϕ 4 x 25)  | 0700076046 |
| Tapping screw (small) (ϕ 3 x 12)  | 0700019036 |
| Air cleaning filter  | 9312153015 |
| | 9311925033 |
| Air cleaning filter frame  | 9306602017 |

0512G2979