

FUJI ELECTRIC

HIGH POWER MULTI AIR CONDITIONER

WALL MOUNTED type

SERVICE MANUAL

Models	Indoor unit	Outdoor unit
	RSWM-17M	} ROM-32N
	RSWM-17M	
	RSWM-12M	
	RSWM-17CM	} ROM-32N
	RSWM-17CM	
	RSWM-12CM	

CONTENTS

SPECIFICATIONS	1
OUTLINE AND DIMENSIONS	2
REFRIGERANT SYSTEM DIAGRAM	3
CIRCUIT DIAGRAM	4
INDOOR PRINTED CIRCUIT BOARD CIRCUIT DIAGRAM	5
OUTDOOR PRINTED CIRCUIT BOARD CIRCUIT DIAGRAM	7
INDOOR P.C. BOARD LAYOUTS	8
OUTDOOR P.C. BOARD LAYOUTS	12
DISASSEMBLY ILLUSTRATION	13
PARTS LIST	20

SPECIFICATIONS

TYPE	COOL		
OPERATION	UNIT A1 or A2	UNIT B	3 UNITS
INDOOR UNIT	RSWM-17M, RSWM-17CM	RSWM-12M, RSWM-12CM	UNIT A1 + A2 + B
OUTDOOR UNIT	ROM-32N		
COOLING CAPACITY (kW)	4.70 - 4.75	3.24 - 3.28	9.15 - 9.30

ELECTRICAL DATA

POWER SOURCE (V)	220 - 240		
FREQUENCY (Hz)	50		
RUNNING CURRENT (A)	8.3 - 8.2	6.8 - 6.8	15.4 - 15.2
INPUT WATTS (kW)	1.80 - 1.88	1.42 - 1.50	3.32 - 3.45
EER (kW/kW)	2.61 - 2.53	2.28 - 2.19	2.76 - 2.70
MOISTURE REMOVAL (L/hr)	2.0	1.3	3.3
AIR CIRCULATION-Hi (m ³ /hr)	560	495	3,320 (OUTDOOR UNIT)

COMPRESSOR

TYPE	Hermetic type, Permanent split condenser, 2 Pole, Single phase, Induction motor		
CODE	PH33VTTT 220 - 240V 50Hz	RH231VHAT 220 - 240V 50Hz	—
REFRIGERANT R-22 (g)	1,650	1,150	1,650 + 1,150

FAN MOTOR

POWER SOURCE (V)	240			
INDOOR UNIT	HI-SPEED (r.p.m.)	1,300	1,330	—
	MED-SPEED (r.p.m.)	1,210	1,250	—
	LO-SPEED (r.p.m.)	1,130	1,170	—
	QUIET (r.p.m.)	—	1,080	—
OUTDOOR UNIT (r.p.m.)	730			

DIMENSIONS

INDOOR UNIT	H x W x D (mm)	285 x 900 x 172	260 x 815 x 175	—
OUTDOOR UNIT		900 x 900 x 350		

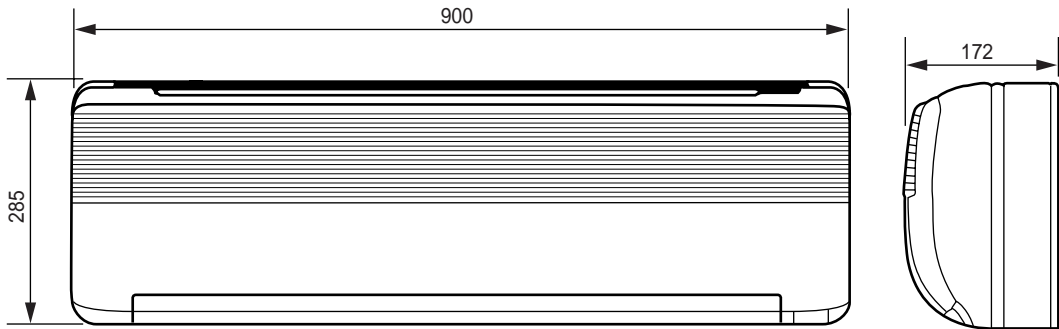
WEIGHT

INDOOR UNIT	GROSS / NET (kg)	13 / 10	10 / 8	—
OUTDOOR UNIT		97 / 85		

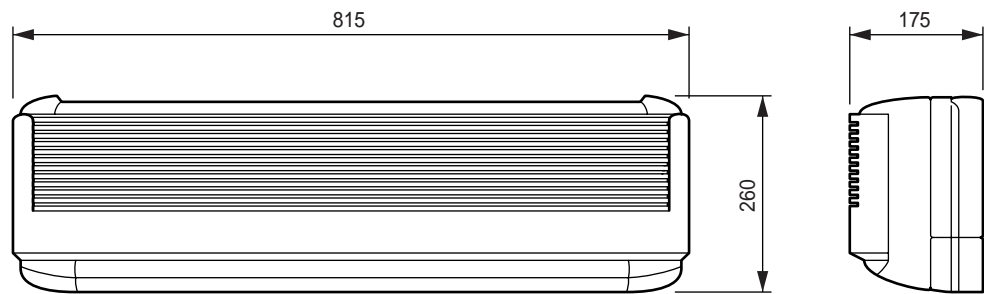
OUTLINE AND DIMENSIONS

Models : RSWM-17M
RSWM-17CM

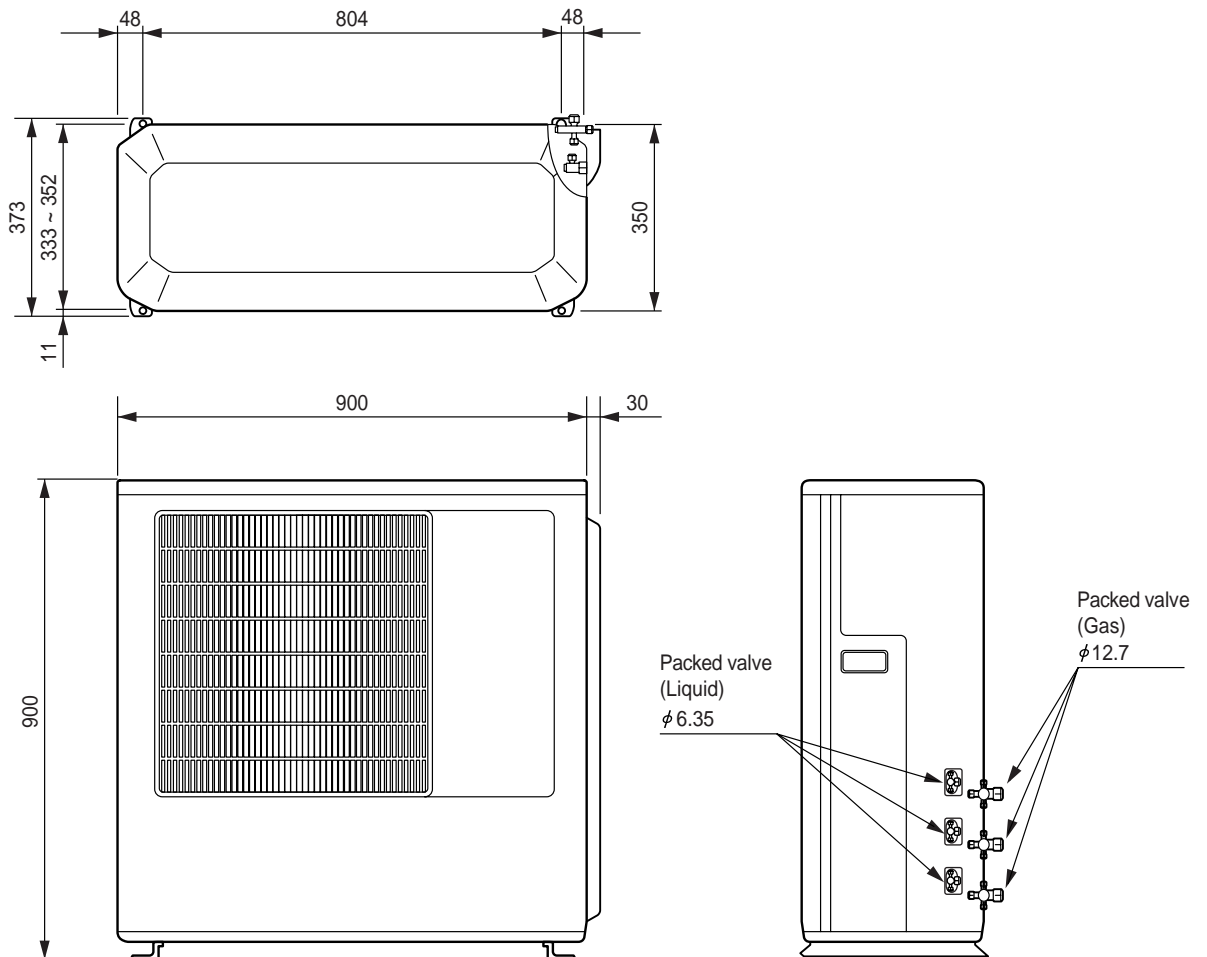
Unit : mm



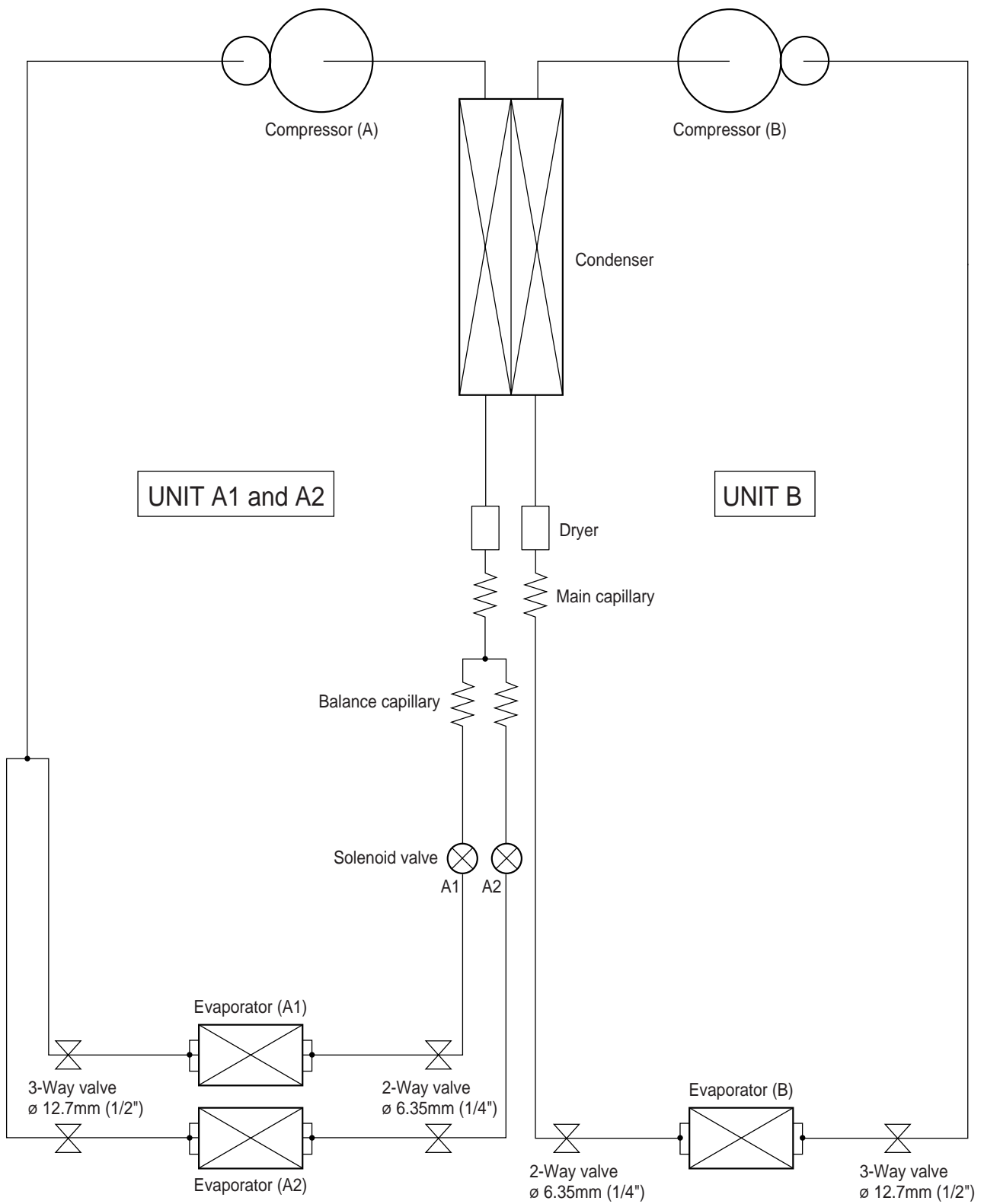
Models : RSWM-12M
RSWM-12CM



Model : ROM-32N

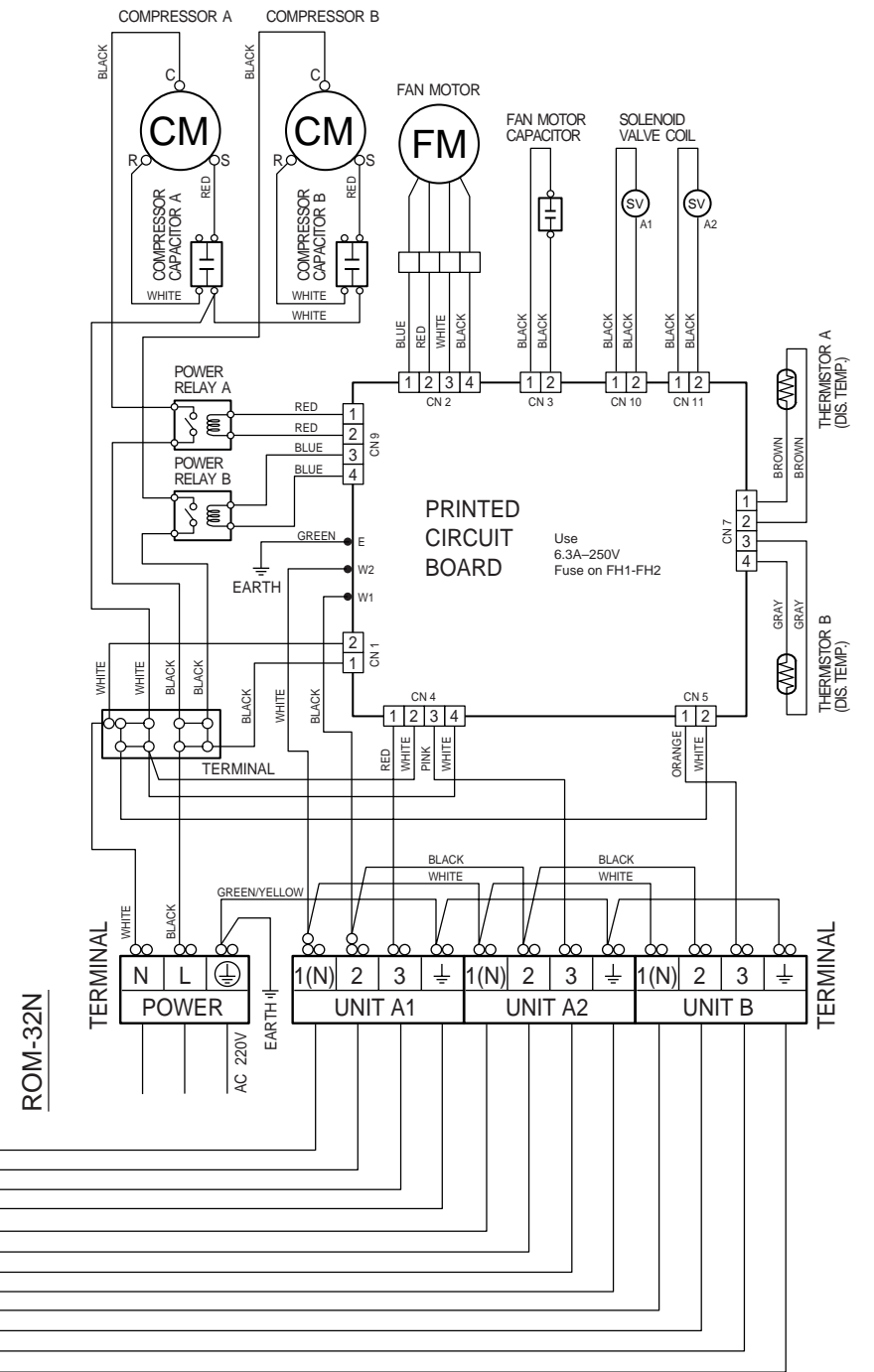
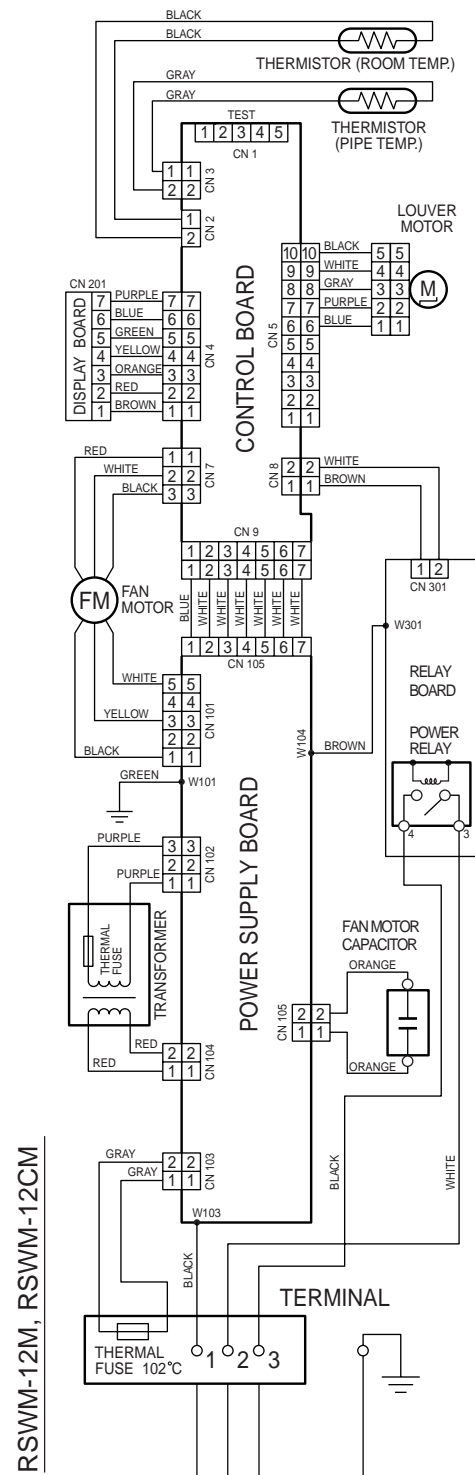
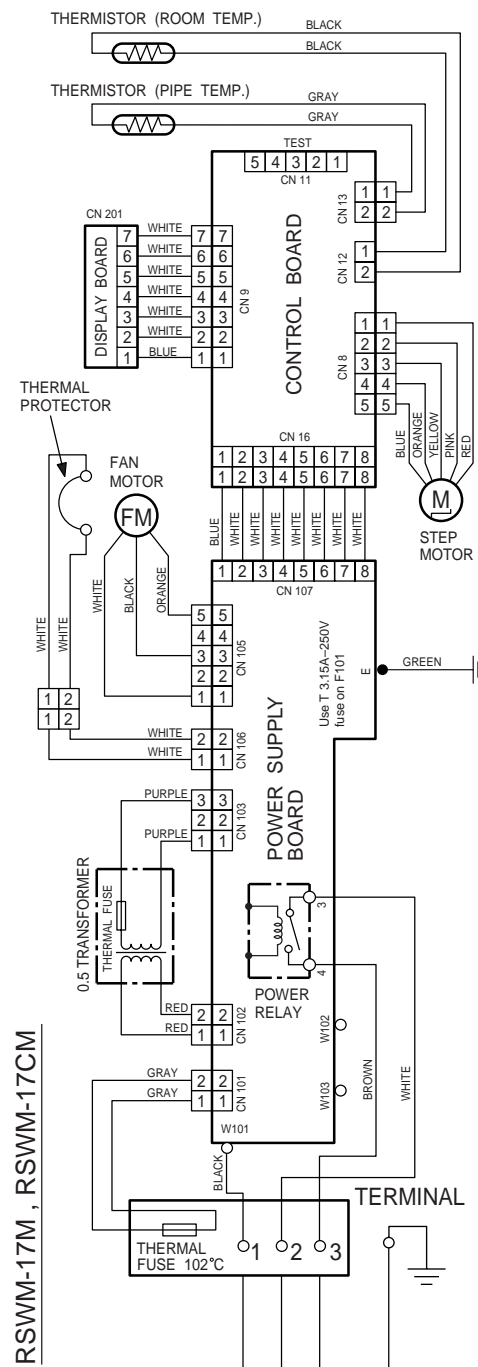
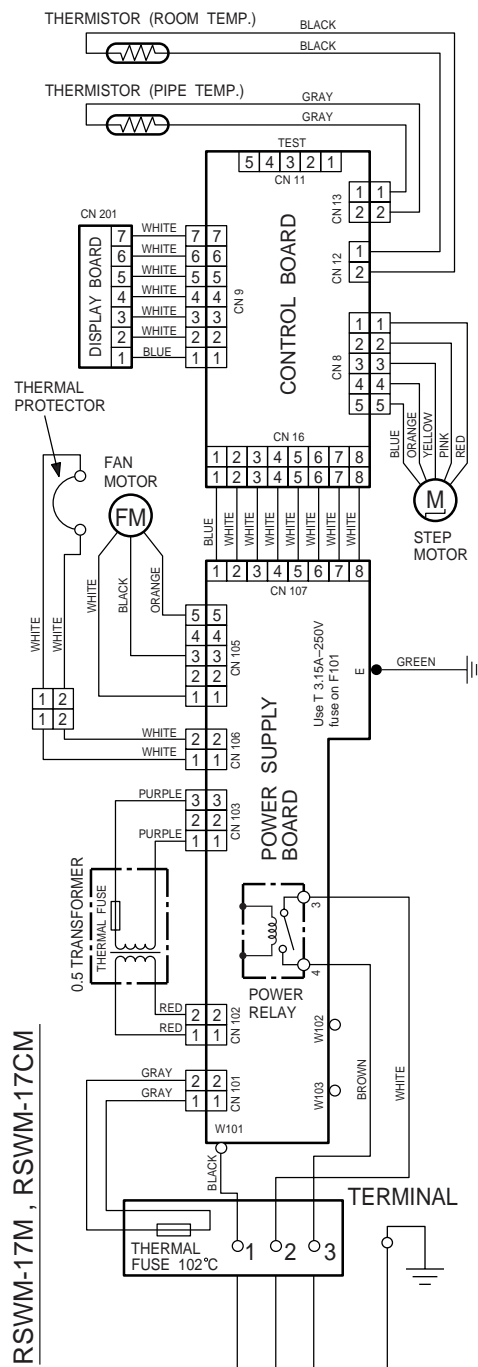


REFRIGERANT SYSTEM DIAGRAM



CIRCUIT DIAGRAM

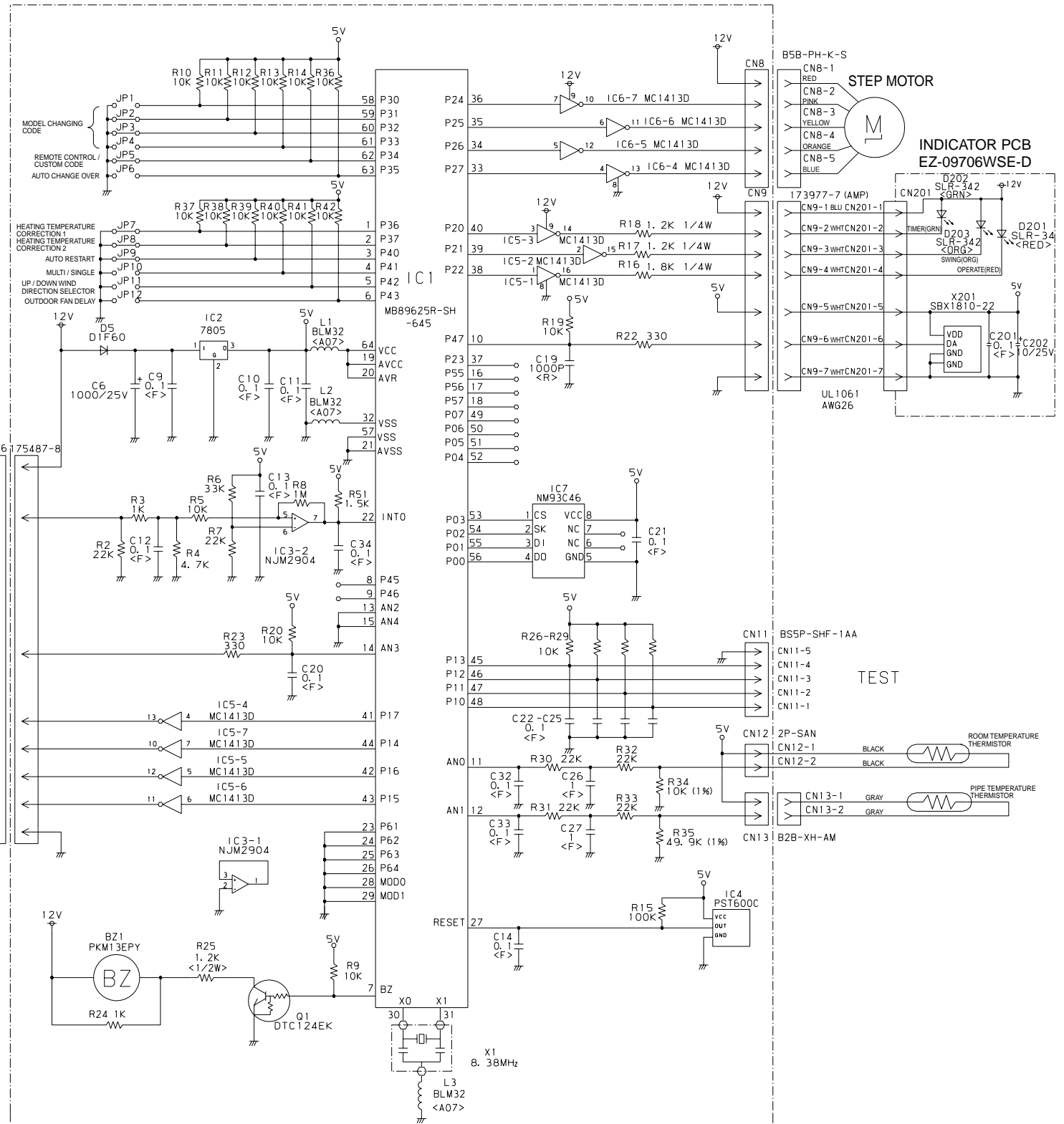
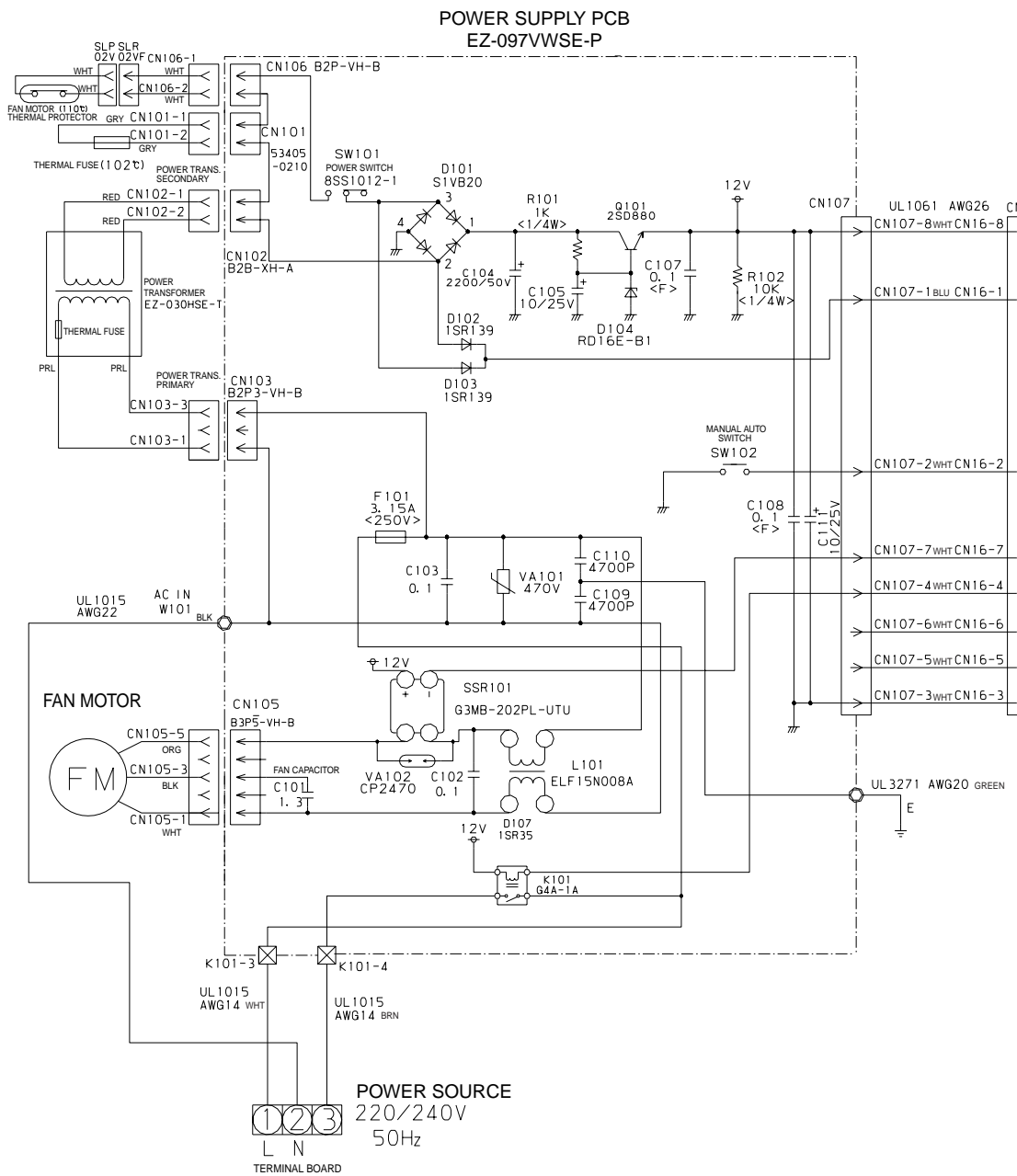
Models : RSWM-17M x 2 / ROM-32N, RSWM-17CM x 2 / ROM-32N
 RSWM-12M RSWM-12CM



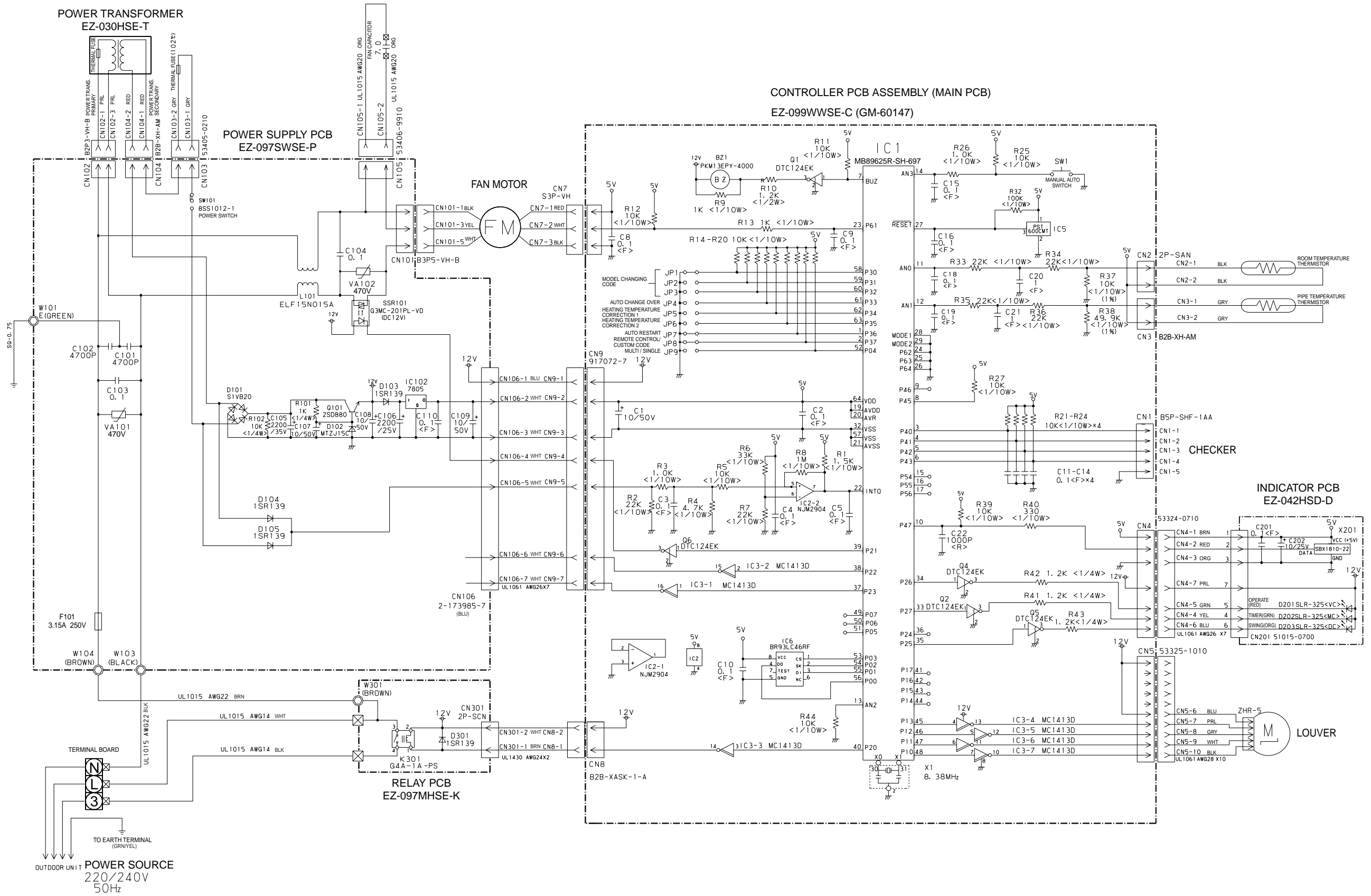
INDOOR PRINTED CIRCUIT BOARD CIRCUIT DIAGRAM

**Models : RSWM-17M
RSWM-17CM**

CONTROLLER PCB ASSEMBLY (MAIN PCB)
EZ-0980GWSE-C (GM-60107)

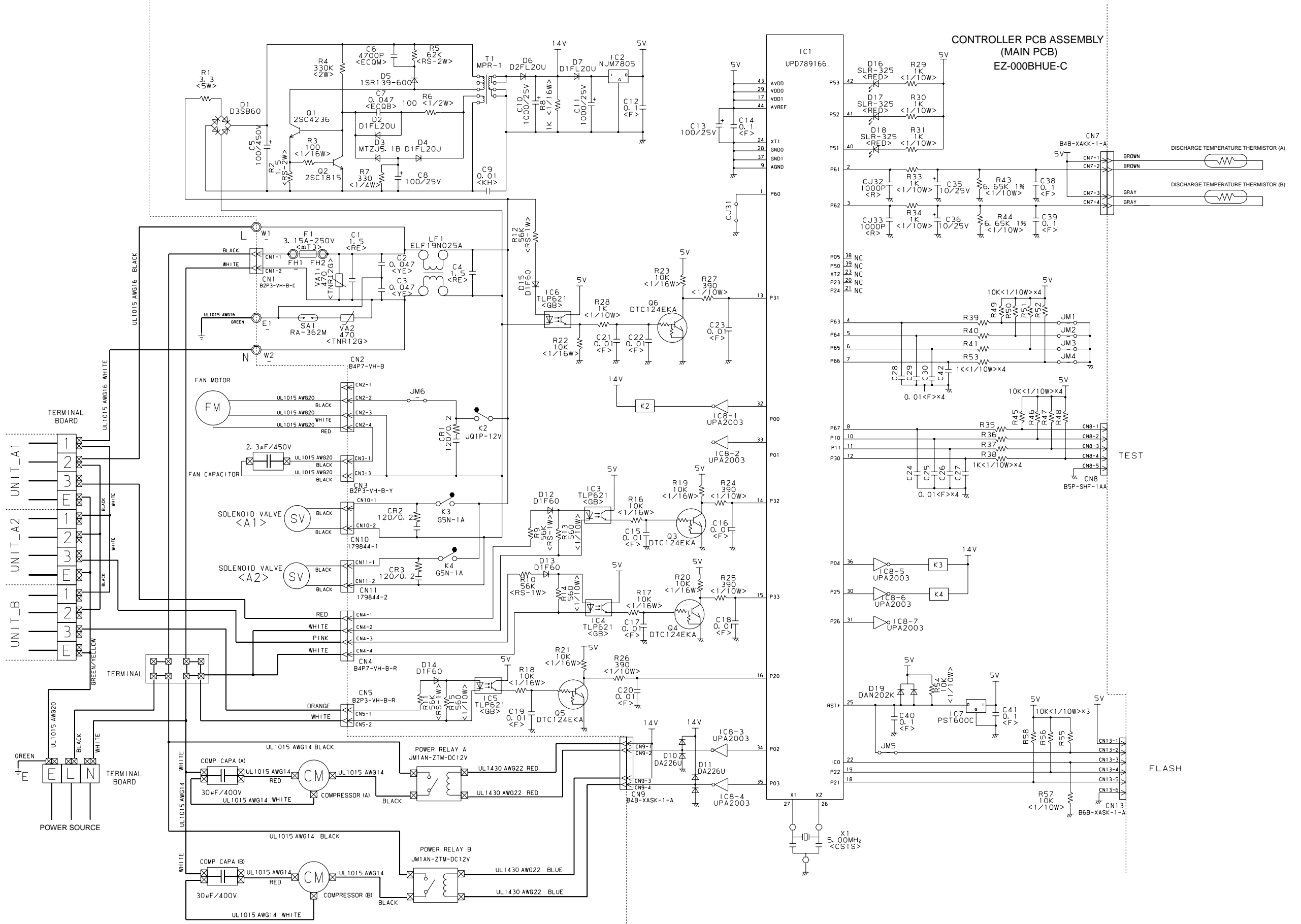


**Models : RSWM-12M
RSWM-12CM**



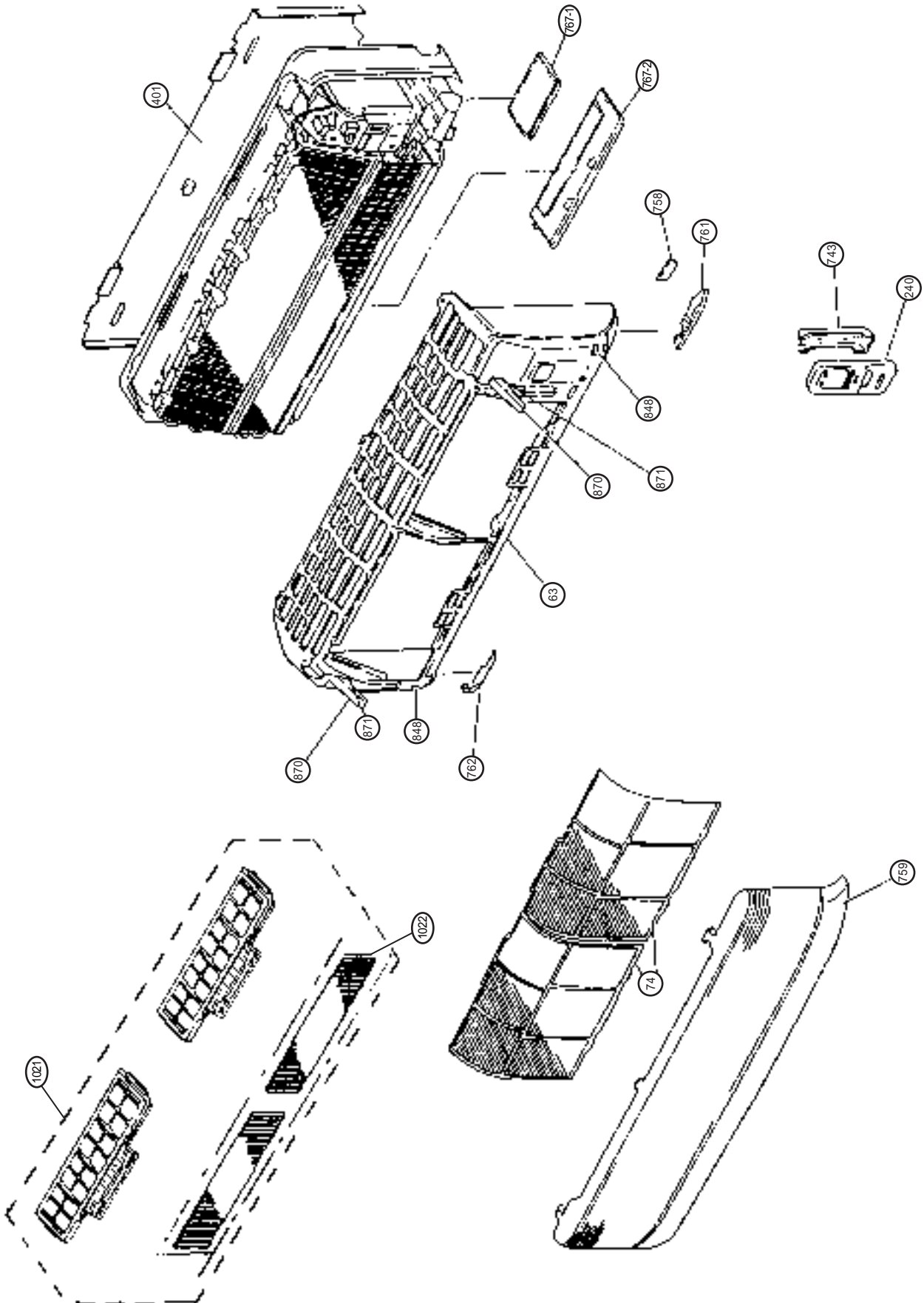
OUTDOOR PRINTED CIRCUIT BOARD CIRCUIT DIAGRAM

Model : ROM-32N

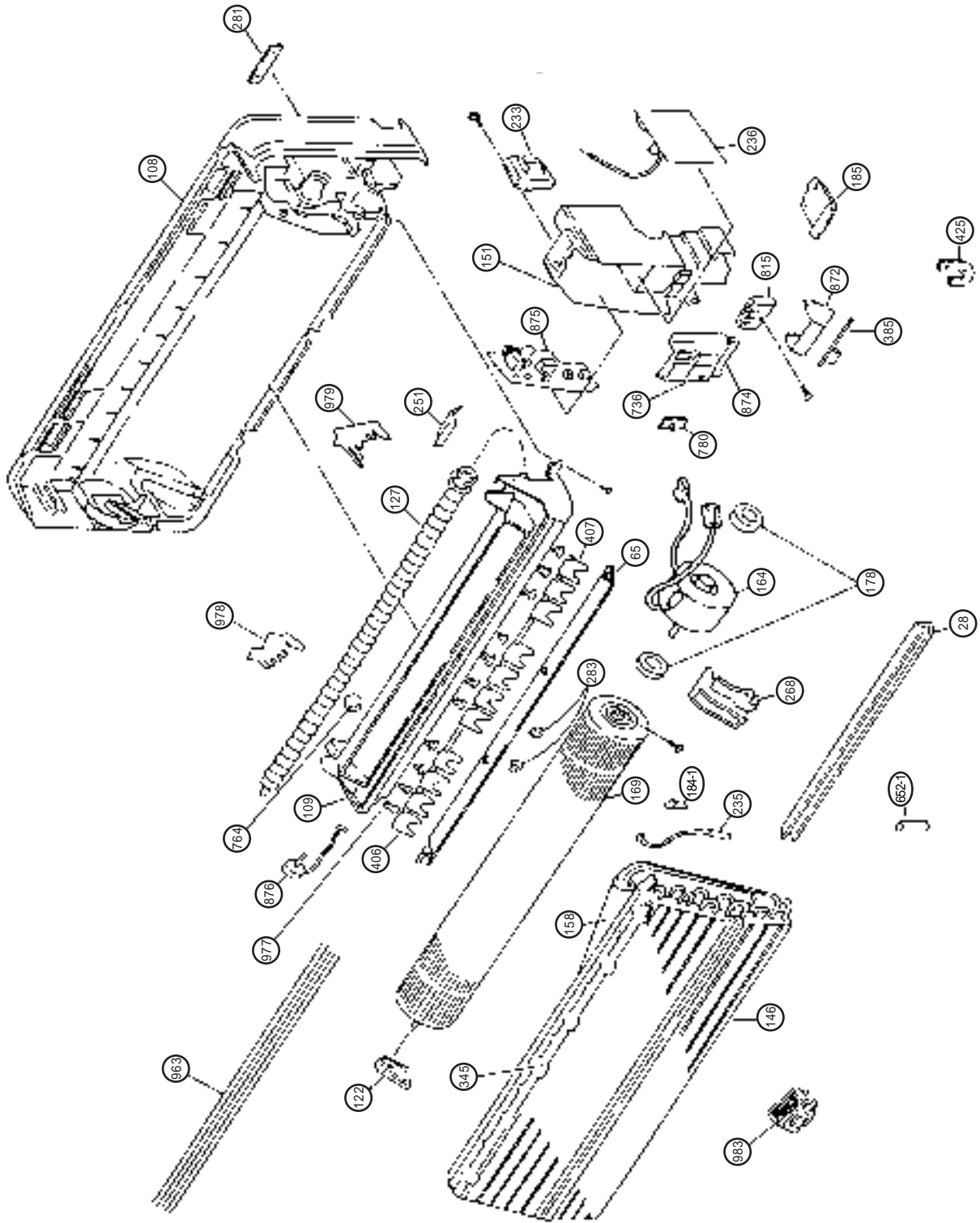


DISASSEMBLY ILLUSTRATION

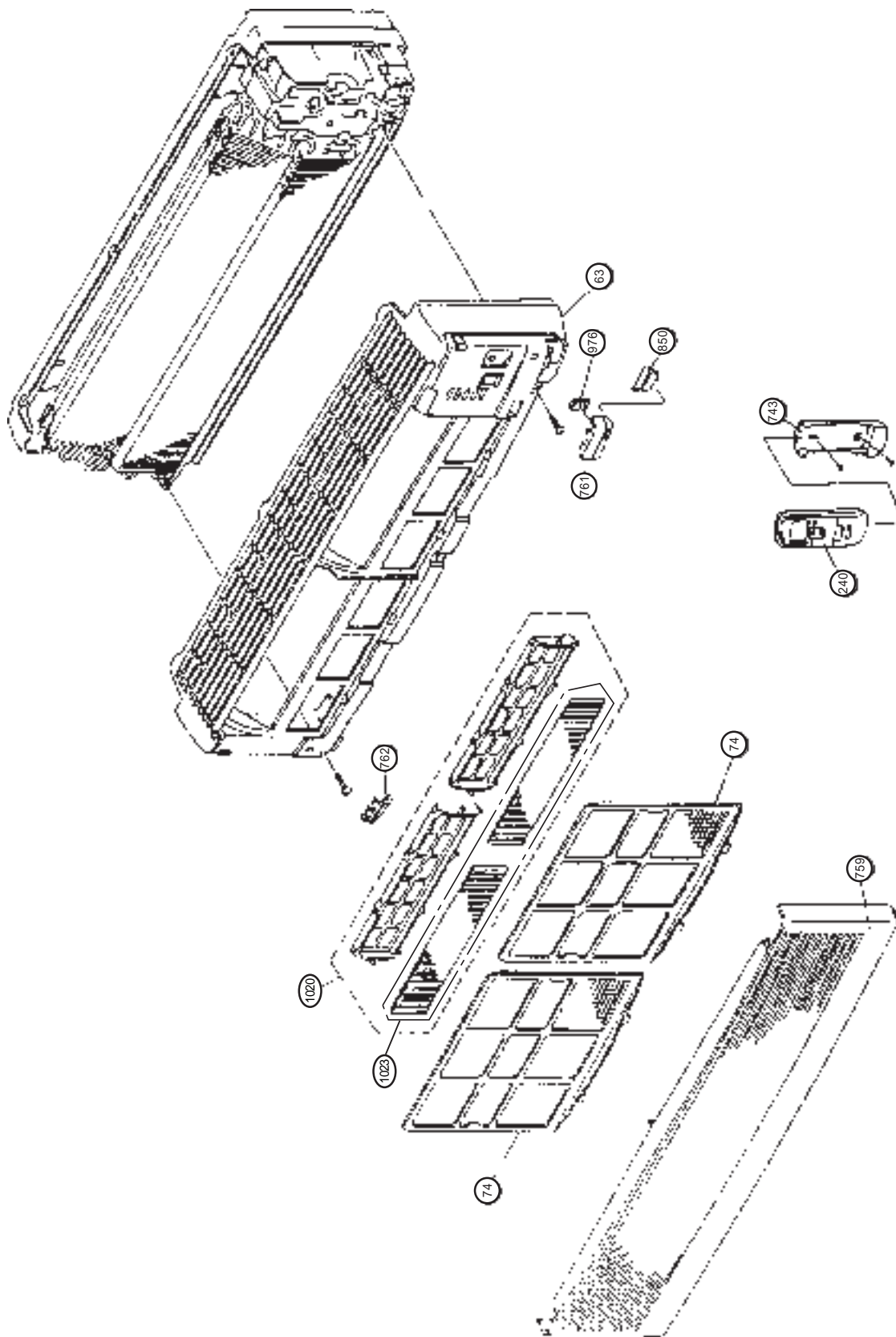
Models : RSWM-17M
RSWM-17CM



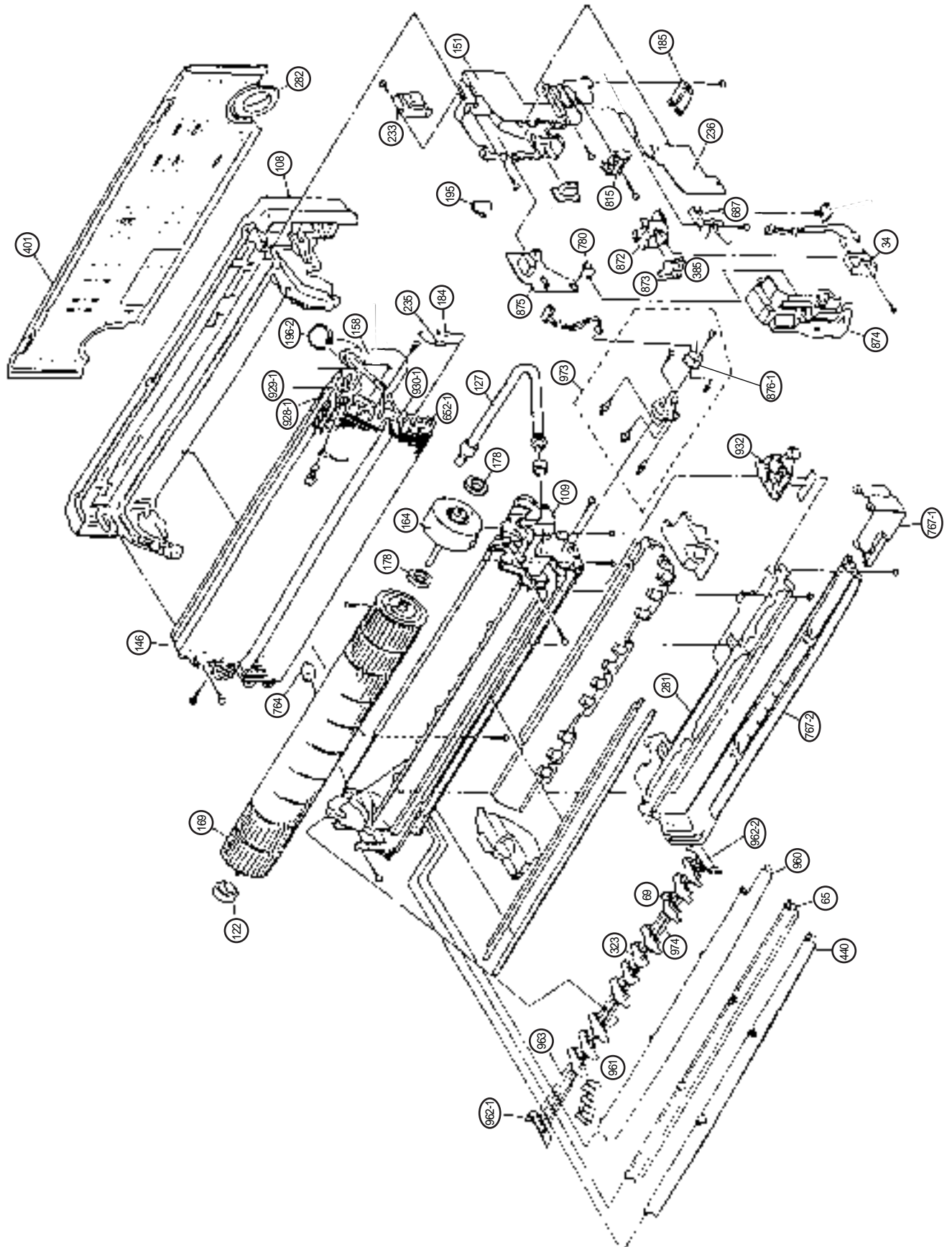
Models :RSWM-17M
RSWM-17CM



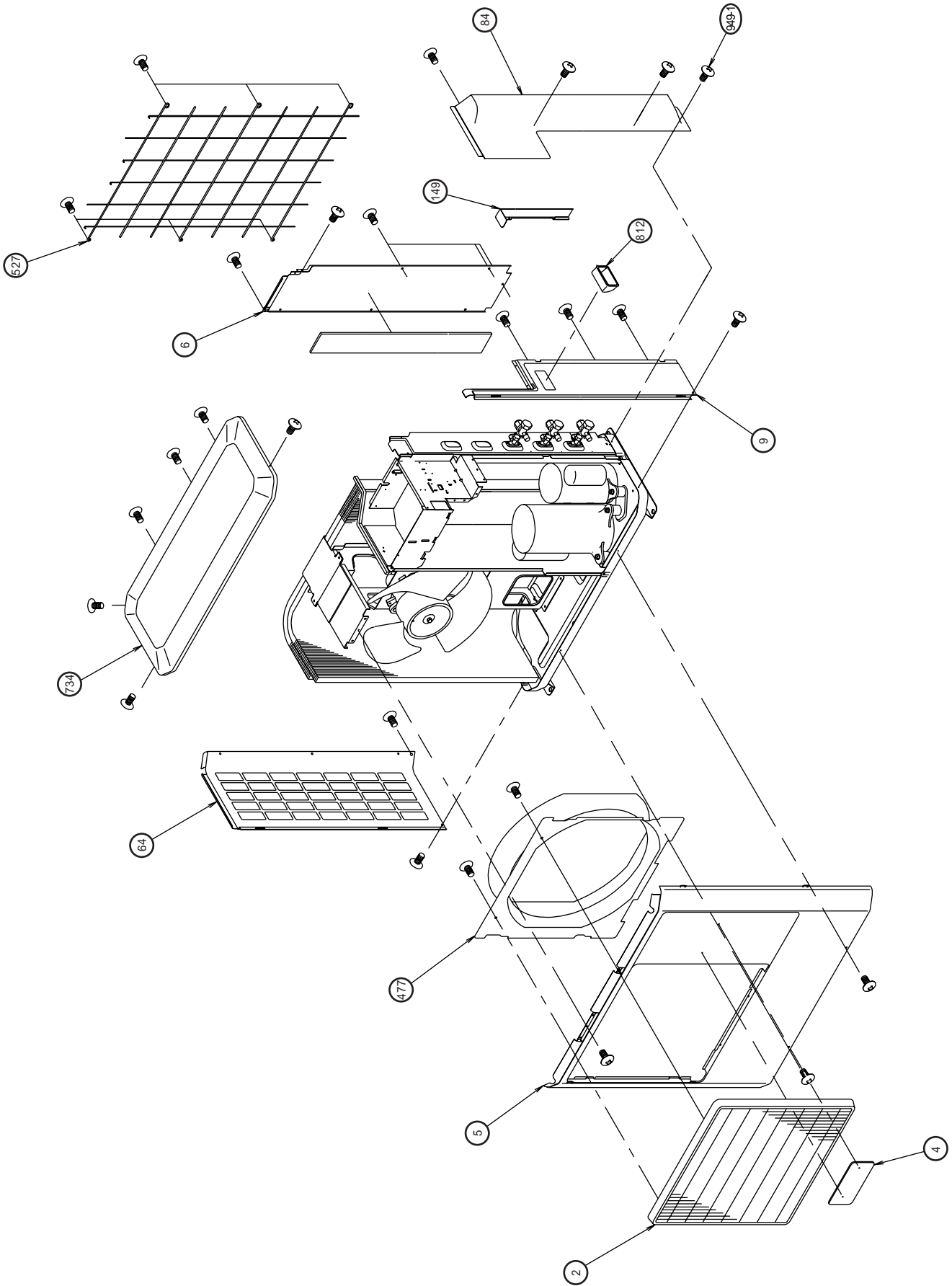
Models : RSWM-12M
RSWM-12CM



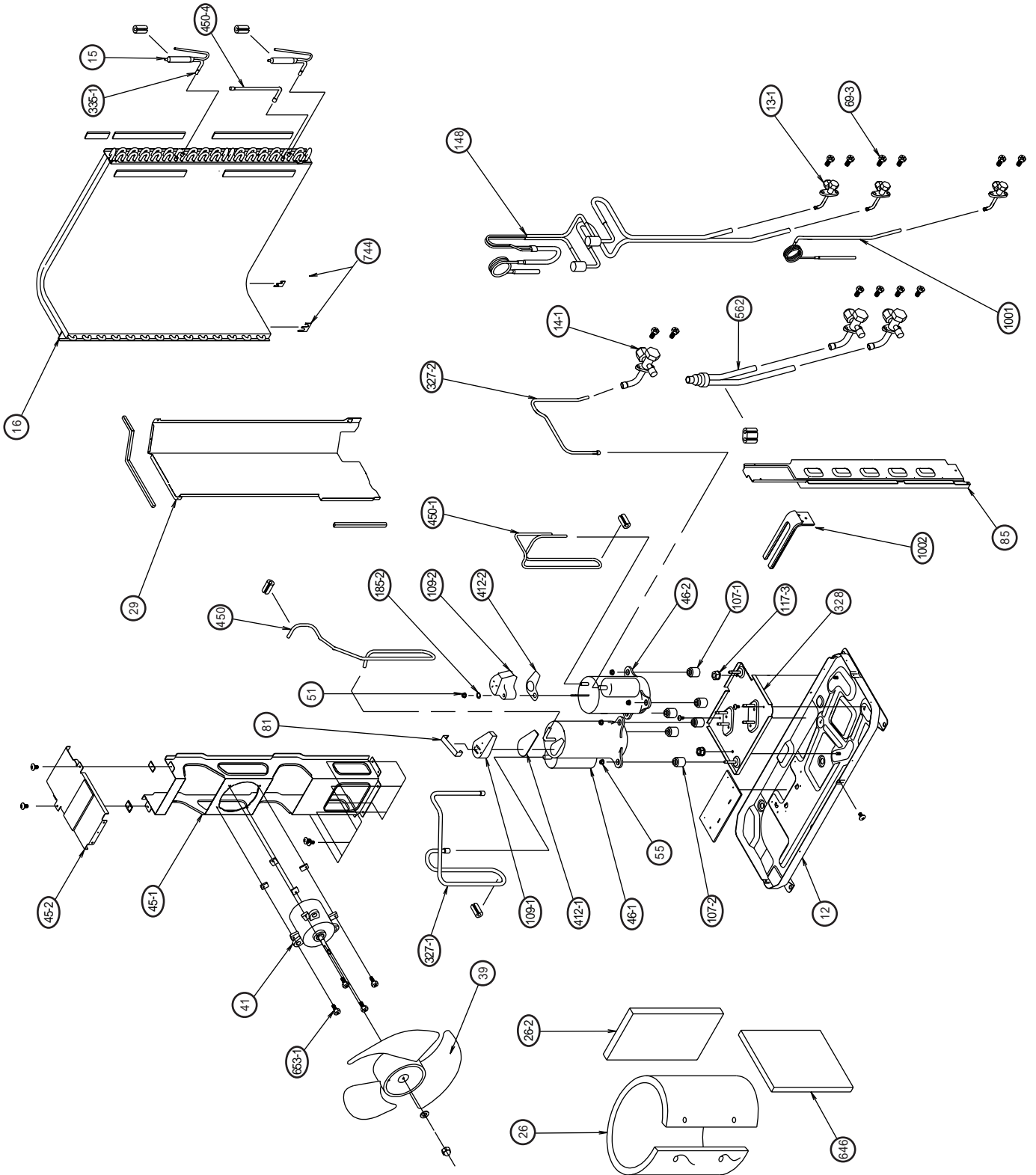
Models : RSWM-12M
RSWM-12CM



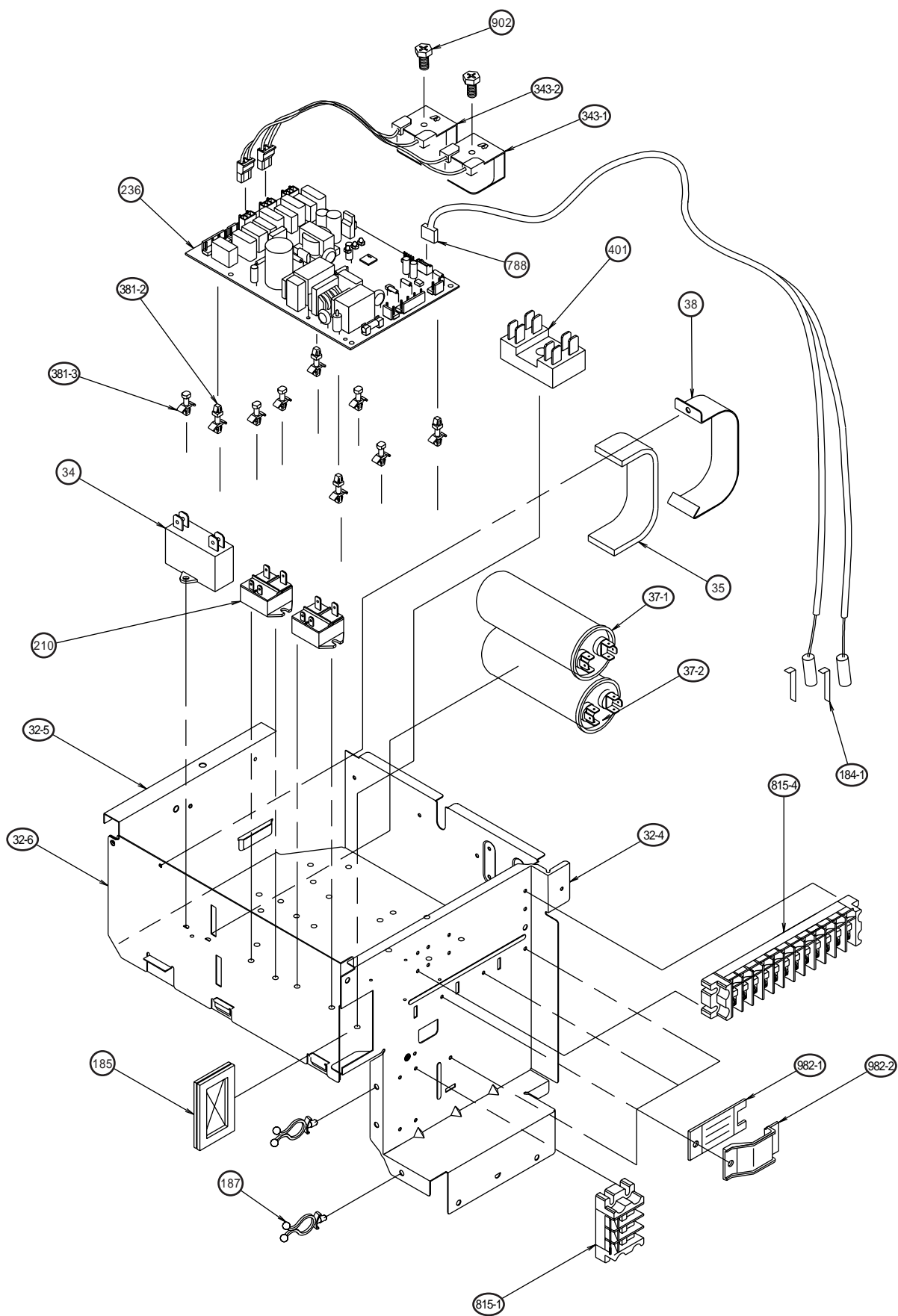
Model : ROM-32N



Model : ROM-32N



Model : ROM-32N



PARTS LIST

When you order parts, please make a photocopy of this page and fill the number of the parts in the "Order" column.

INDOOR UNIT

Ref. No.	Description	Part No.		Ord. Qty	Ref. No.	Description	Part No.		Ord. Qty
		RSWM-17M RSWM-17CM	RSWM-12M RSWM-12CM				RSWM-17M RSWM-17CM	RSWM-12M RSWM-12CM	
28	Blower Cover	9304111016	—		759	Intake Grille-A "FUJI ELECTRIC"	9355595063	—	
34	Capacitor (Fan Motor)	—	9702105020		759	Intake Grille	—	9305441082	
63	Front Panel Assy "FUJI ELECTRIC"	9354229204	9305656110		761	Side Cover-R	9303518076	9305996032	
65	Flow Control Panel	9354646032	—		762	Side Cover-L	9303520147	9305437061	
65	Flow Control Panel-Z	—	9305443017		764	Drain Cap Assy	9304150008	9304150008	
69	Louver-A	—	9305415014		767-1	Bottom Cover-A	9303536056	9305428014	
74	Filter	9304097020	9364347011		767-2	Bottom Cover-B	9303537053	9305429011	
108	Base	9304107033	9305427017		780	Key Top (Slide Switch)	9303526002	9303526002	
109	Casing	9304108016	9305411016		815	Terminal-3P	9701955046	9701955046	
122	Shaft Holder-B	—	9303066010		848	Catcher	9306545000	—	
122	Shaft Holder-B Assy	9304470007	—		850	Window (Receiver)	—	9305439010	
127	Drain Hose Assy	9304761013	9305550029		870	Arm	9303525005	—	
146	Evaporator Assy	9304589006	9308555014		871	Arm Spring	9304377009	—	
151	Control Box	9304092001	9306763015		872	Indicator Case	9303631003	9305978014	
158	Connecting Pipe Assy	9304286011	9307073007		873	Lamp Cover	—	9305451012	
164	Fan Motor Assy-In	9354513044	9304631170		874	Control Box Cover	9304094005	9305977017	
169	Cross-flow Fan Assy	9306327002	9307836015		875	Power Supply PCB Assy	9702451035	9702440015	
178	Motor Cushion-G	9304669005	—		876	Step Motor	9304535003	—	
178	Motor Cushion-A	—	9303528006		876-1	Step Motor	—	9305780006	
184	Thermostat Spring	—	313104262701		928-1	U-Pipe (BB)	—	9305747009	
184-1	Thermostat Spring-A	313728262708	—		929-1	U-Pipe (V)	—	9305748006	
185	Wire Clamp	9356959000	9305940004		930-1	U-Pipe (W)	—	9305749003	
195	Clamp SKB-100	—	313361275805		932	Outlet Cover	—	9305414017	
196-2	Clamp SKB-150	—	313035356905		960	Diffuser	—	9305412013	
233	Power Transformer	9701803026	9701565016		961	Guard Clamp	—	9306332013	
235	Thermistor Assy-Pipe	9702325015	9702325015		962-1	Guard Holder-L	—	9305753017	
236	Controller PCB Assy	9702529024	9702456139		962-2	Guard Holder-R	—	9305752010	
240	Remote Control Unit	9359960119	9307113062		963	Fan Guard	9356881011	9305751013	
251	Hose Clamp	9304077008	—		968	Relay PCB Assy	—	9702443016	
268	Motor Cover-B	9304231004	—		973	Gear Assy (w/Step Motor)	—	9305452002	
281	Clamp Metal (Pipe)	9304242000	9306192006		974	Joint (Louver)	—	9305416011	
282	Wall Cap-B (Accessory)	—	313714296205		976	Window (Indicator)	—	9305440016	
283	Bushing-A	9303529010	—		977	Louver Clip	9356880014	—	
323	Louver-B	—	9305597017		978	Wire Bracket-L	9356878011	—	
345	Filter Guide	9304110019	—		979	Wire Bracket-R	9356877014	—	
385	Indicator PCB Assy	9702511012	9701364015		983	Therm. Protector Cover	9356882001	—	
401	Wall Hook Bracket	9304093008	9304358008		1020	Air Cleaning Filter Set APS-03B (Optional)	—	9305868018	
406	Louver-L Assy	9354644014	—		1021	Air Cleaning Filter Set APS-03C (Optional)	9304222019	—	
407	Louver-R Assy	9354643017	—		1022	Air Cleaning Filter APS-02E (Optional)	9304531012	—	
425	Earth Terminal	9357852003	—		1023	Air Cleaning Filter APS-02F (Optional)	—	9305864010	
440	Flow Control Panel-U	—	9306173043						
652-1	Thermistor Holder Pipe	313714262805	313714262805						
687	Earth Terminal	—	9306483005						
736	Operation Panel	9354230002	—						
743	Remote Control Unit Holder	9305642014	9305642014						
758	Decoration Plate-A	9360085016	—						

When you order parts, please make a photocopy of this page and fill the number of the parts in the "Order" column.

OUTDOOR UNIT

Ref. No.	Description	Part No.	Ord. Q'ty	Ref. No.	Description	Part No.	Ord. Q'ty
		ROM-32N				ROM-32N	
2	Fan Cover	9359808015		148	Solenoid Valve Assy	9366778004	
4	Emblem "FUJI ELECTRIC"	9361328006		149	Water Seal Plate	9359841029	
5	Cabinet-A, Painted	9359797029		184-1	Thermo. Spring-A	313728262708	
6	Cabinet-C, Painted	9363797022		185	Rubber Bushing	313005066051	
9	Cabinet-B, Painted	9363798029		185-2	Rubber Washer (For Comp.)	9358078006	
12	Base Assy, Painted	9364145013		187	Clamp No.1219	313361271706	
13-1	3-Way Valve	9360946003		210	Main Relay	9356781007	
14-1	2-Way Valve	9361510005		236	Controller PCB Assy	9704031013	
15	Dryer	9363858006		327-1	Suction Pipe-A	9366798002	
16	Condenser Assy	9364583006		327-2	Suction Pipe-B	9366799009	
26	Compressor Cover-A	9364595009		328	Compressor Plate Assy	9363801019	
26-2	Compressor Cover-B	9364596006		335-1	Outlet Pipe-A	9366800002	
29	Separate Wall	9359804017		343-1	Solenoid Coil-A1	9361026001	
32-4	Control Box Metal-D	9361247000		343-2	Solenoid Coil-A2	9361027008	
32-5	Control Box Metal-E	9361248007		381-2	Locking Spacer	0600035020	
32-6	Control Box Metal-F	9361249004		381-3	Locking Spacer	0600118051	
34	Capacitor (Fan Motor)	9703306051		401	Terminal-2P	9701971015	
35	Control Box Insulation-H	9361521001		412-1	Terminal Gasket (For Comp.)	9362370004	
37-1	Running Capacitor	9357211107		412-2	Terminal Packing (For Comp.)	9358077009	
37-2	Running Capacitor	9356386059		450	Discharge Pipe-A Assy	9366793007	
38	Clamp Metal (Capacitor)	9366146001		450-1	Discharge Pipe-B Assy	9366795001	
39	Propeller Fan	9359837015		450-4	Discharge Pipe-B2	9366797005	
41	Fan Motor Induction-OUT	9600266045		477	Bellmouth	9359809012	
45-1	Motor Bracket	9359801016		527	Protective Net (Condenser)	9359844013	
45-2	Motor Bracket-Top	9359803010		562	Branch Pipe Assy	9366790006	
46-1	Compressor Assy	9366777007		646	Compressor Cover-B	9353368003	
46-2	Compressor Assy	9360106001		653-1	Bolt (Fan Motor Fixing)	0700156014	
51	Special Nut (For Comp.)	9358079003		734	Top Plate, Painted	9359799023	
55	Special Nut M8 (For Comp.)	9355091008		744	Clamp (Condenser)	313166374106	
64	Cabinet-Left, Painted	9359840022		788	Thermistor-Discharge	9702650025	
69-3	Hexagon Bolt (Cross recessed)	301210060360		812	Grip	9352157004	
81	Strap (For Comp.)	9362371001		815-1	Terminal-3P	9358660027	
84	Valve Cover	9363802009		815-4	Terminal-12P	9358660164	
85	Valve Plate-B Assy, Painted	9363799026		902	Screw For Solenoid	9353839008	
107-1	Rubber Seat-A (For Comp.)	9358080009		949-1	Screw, Painted	9305648009	
107-2	Rubber Mount (For Comp.)	9362368001		982-1	Cord Clamp	9356857009	
109-1	Terminal Cover (For Comp.)	9362369008		982-2	Cord Clamp-B	9356858006	
109-2	Terminal Cover (For Comp.)	9358076002		1001	Capillary Assy-D	9366787006	
117-3	Hexagon Nut (Spring Lock Washer)	301721180114		1002	Solenoid Valve Plate	9366145004	

**INDOOR UNIT [RSWM-17M, RSWM-17CM]
CONTROLLER PCB ASSEMBLY (Ref. No. 236)**

When you order parts, please make a photocopy of this page and fill the number of the parts in the "Order" column.

Ref. No.	Description	Part No.	Ord. Q'ty	Ref. No.	Description	Part No.	Ord. Q'ty
IC1	IC MB89625R-SH-645	1301534010		R35	Res. 1/10W 49.9kohm+-0.5%	0200344683	
IC2	IC NJM7805FA	0100462081		R51	Res. 1/10W 1.5kohm+-5%	0200212784	
IC3	IC NJM2904M	0100534054		JC1-7,9-12,17,18, JP2,3	Res. 0 ohm	0200230016	
IC4	IC PST600CMTR	0101461120		C6	Cap. Elec. 25V 1000mfd	0300631256	
IC5,6	IC MC1413DR2	0101736013		C9-14,20-25, 32-34	Cap. Ceramic 0.1mfd	1902783046	
IC7	IC S-93C46ADFJ-TB	0101919027		C19	Cap. Ceramic 1000pF	1902829072	
Q1	Xstr DTC124EKA	0000936033		C26,27	Cap. Ceramic 1mfd	1800119015	
D5	Diode D1F60	0000208024		X1	Ceramic Resonator CST8.38MTW-TF01	1300116019	
R2,7,30-33	Res. 1/10W 22kohm+-5%	0200213095		BZ1	Buzzer PKM13EPY-4000-TF01	9701298013	
R3,24	Res. 1/10W 1kohm+-5%	0200212746		L1-3	EMI Filter BLM31A601SPT	0400119029	
R4	Res. 1/10W 4.7kohm+-5%	0200212906		JP5,7-9,13,14	Wire IPS-3043-02	1903332014	
R5,9-14,19,20, 26-29,36-42	Res. 1/10W 10kohm+-5%	0200213019		CN8	Plug, PCB B5B-PH-K-S	0500200061	
R6	Res. 1/10W 33kohm+-5%	0200213132		CN9	Plug, PCB 175487-7	0500891016	
R8	Res. 1/10W 1Mohm+-5%	0200213491		CN11	Plug, PCB BS5P-SHF-1AA	0500898015	
R15	Res. 1/10W 100kohm+-5%	0200213255		CN12	Thermistor (Room Temp.) 150-103-86100	9700801023	
R16	Res. 1.8kohm+-5%	0200691725		CN13	Plug, PCB B2B-XH-A	0500005055	
R17,18	Res. 1.2kohm+-5%	0200691534		CN16	Plug, PCB 175487-8	0500891023	
R22,23	Res. 1/10W 330ohm+-5%	0200212623					
R25	Res. 1.2kohm+-5%	0201001769					
R34	Res. 1/10W 10kohm+-0.5%	0200344010					

**INDOOR UNIT [RSWM-17M, RSWM-17CM]
POWER SUPPLY PCB ASSEMBLY (Ref. No. 875)**

Ref. No.	Description	Part No.	Ord. Q'ty	Ref. No.	Description	Part No.	Ord. Q'ty
Q101	Xstr 2SD880	0000001014		K101	Relay G4A-1A-E-PS	9703454011	
D101	Diode S1VB20	0000292054		L101	EMI Filter ELF15N008A	0400165071	
D102,103	Diode 1SR139-400	0000353137		SW101	Slide Switch 8SS1012-1	9701426010	
D104	Diode RD16EB1	0000296014		SW102	Push Switch KSM0632B	9703476013	
R101	Res. Carbon 1/4W 1kohm+-5%	0201038758		F101	Fuse BET 3.15A-250V	0600222512	
R102	Res. Carbon 1/4W 10kohm+-5%	0201005019			Fuse Holder SN-5057	9700116011	
C101	Cap. Plastic 400V 1.3mfd	0300939048		CN101	Plug, PCB 53405-0210	0500940011	
C102,103	Cap. Plastic 0.1mfd	0300304075		CN102	Plug, PCB B2B-XH-A	0500005055	
C104	Cap. Elec. 50V 2200mfd	0301190981		CN103	Plug, PCB B2P3-VH-B	0500011728	
C105,111	Cap. Elec. 25V 10mfd	0300099339		CN105	Plug, PCB B3P5-VH-B	0500011735	
C107,108	Cap. Ceramic 0.1mfd	0300988251		CN106	Plug, PCB B2P-VH-B	0500011124	
C109,110	Cap. Ceramic 4700pF	0300209110		CN107	Wire w/Connector L=180	9701052011	
HT	Heat Sink PUG-16 L=30	9701189014		JM101-103	Wire 0.6dia. L=10mm	9700025016	
VA101	Varistor TNR10V471K	0000361224		JM105	Wire 0.6dia. L=15mm	9700672012	
VA102	Arrester CP2470-F	9701835010		W101	Wire w/Terminal L=190 BLK	9701169191	
SSR101	Relay G3M-202PL-UTU	9701375011		E	Wire w/Terminal L=250 GRN	9701150014	

**INDOOR UNIT [RSWM-17M, RSWM-17CM]
INDICATOR PCB ASSEMBLY (Ref. No. 385)**

Ref. No.	Description	Part No.	Ord. Q'ty	Ref. No.	Description	Part No.	Ord. Q'ty
X201	Remote control Amplifier SBX1810-22	0101525129		CN201	Wire w/Connector L=250	9700923015	
D201	Diode SLR-34LR RED	0000727013			Lamp Cover-A	9303702000	
D202	Diode SLR-342MG GRN	0000727167		C201	Cap. Ceramic 0.1mfd	0300988251	
D203	Diode SLR-342DU ORG	0000727150		C202	Cap. Elec. 25V 10mfd	0300328026	

**INDOOR UNIT [RSWM-12M, RSWM-12CM]
CONTROLLER PCB ASSEMBLY (Ref. No. 236)**

When you order parts, please make a photocopy of this page and fill the number of the parts in the "Order" column.

Ref. No.	Description	Part No.	Ord. Qty	Ref. No.	Description	Part No.	Ord. Qty
IC1	IC MB89625R-SH-697	1301535024		R41~43	Res. 1/4W 1.2kohm±5%	0200691534	
IC2	IC NJM2904M	0100534054		C1	Cap. Elec. 50V 10mfd	0300003145	
IC3	IC MC1413D	0101736013		C2~5,8~16,18,19	Cap. Ceramic 25V 0.1mfd	1902783046	
IC5	IC PST600CMT	0101461120		C20,21	Cap. Ceramic 16V 1mfd	1800119015	
IC6	IC BR93LC46RF-E2	0100295016		C22	Cap. Ceramic 50V 1000pF	1902829072	
Q1,2,4~6	Xstr DTC124EKA	0000936033		SWE1	Push Switch KSM0632B	1903256013	
R1	Res. 1/10W 1.5kohm±5%	0200212784		X1	Ceramic Resonator CST8.38MTW-TF01	1300116019	
R2,7,33~36	Res. 1/10W 22kohm±5%	0200213095		BZ1	Buzzer PKM13EPY-4000-TF01	9701298013	
R3,9,13,26	Res. 1/10W 1kohm±5%	0200212746		CN1	Plug, PCB B5P-SHF-1AA	0500006069	
R4	Res. 1/10W 4.7kohm±5%	0200212906		CN2	Thermistor 150-103-86116	9702324018	
R5,11,12,14~25, 27,39,44,46,47	Res. 1/10W 10kohm±5%	0200213019		CN3	Thermistor(Pipe) 150-503-96064	9702039035	
R6	Res. 1/10W 33kohm±5%	0200213132		CN4	Plug, PCB 53324-0710	0501052065	
R8	Res. 1/10W 1Mohm±5%	0200213491		CN5	Plug, PCB 53325-1010	0501052591	
R10	Res. 1/2W 1.2kohm±5%	0201001769		CN7	Plug, PCB S3P-VH	0500011308	
R32	Res. 1/10W 100kohm±5%	0200213255		CN8	Plug, PCB B2B-XASK-1-A	0501045012	
R37	Res. 1/10W 10kohm±0.5%	0200344010		CN9	Plug, PCB 917072-7	0501065010	
R38	Res. 1/10W 49.9kohm±0.5%	0200344683		JP7,8,10	Wire L=10mm 0.6dia	1903332014	
R40	Res. 1/10W 330ohm±5%	0200212623		JC2~4,6~9,11~17, JP1	Res. 0 ohm	0200230016	

**INDOOR UNIT [RSWM-12M, RSWM-12CM]
POWER SUPPLY PCB ASSEMBLY (Ref. No. 875)**

Ref. No.	Description	Part No.	Ord. Qty	Ref. No.	Description	Part No.	Ord. Qty
IC102	IC NJM 7805FA	0100462081		FH101,102	Fuse Holder PFC5000-0502	0500158072	
Q101	Xstr 2SD880	0000001014		L101	EMI Coil SS11V-10062	0400270089	
D101	Diode S1VB20	0000292054		SSR101	Relay G3MB-202PL-VD	9702430016	
D102	Diode MTZJ15C	0000852203		HT101	Heat Sink B. PUE-16	9701376018	
D103~105	Diode 1SR139-400	0000353137		CN101	Plug, PCB B3P5-VH-B	0500011735	
R101	Res. Carbon 1/4W 1kohm±5%	0201038758		CN102	Plug, PCB B2P3-VH-B	0500011728	
R102	Res. Carbon 1/4W 10kohm±5%	0201005019		CN103	Plug, PCB 53405-0210	0500940011	
C101,102	Cap. Ceramic 4700pF	0300209110		CN104	Plug, PCB B2B-XH-AM	0500005321	
C103,104	Cap. Plastic 0.1mfd	0300590522		CN105	Plug, PCB 53406-9910	0500951048	
C105	Cap. Elec. 35V 2200mfd	0300331118		CN106	Wire w/Connector L=100	9701424016	
C106	Cap. Elec. 25V 2200mfd	0300327111		W101	Wire w/Terminal L=210	9701660018	
C107~109	Cap. Elec. 50V 10mfd	0301192541		W103	Wire w/Terminal L=225 BLK	9701657018	
C110	Cap. Ceramic 0.1mfd	0300988251		W104	Wire w/Terminal L=150 BRN	9701658015	
SW101	Slide Switch 8SS1012-1	9701426010		JM101,104	Wire 0.6 mm dia. L=10 mm	9700025016	
VA101,102	Varistor TNR10V471K	0000361224		JM102	Wire Assembly IPS-1041-2	9700035015	
F101	Fuse BET 3.15A - 250V	0600222512		JM103	Wire 0.6 mm dia. L=7.5 mm	9701076017	

**INDOOR UNIT [RSWM-12M, RSWM-12CM]
INDICATOR PCB ASSEMBLY (Ref. No.385)**

Ref. No.	Description	Part No.	Ord. Qty
D201	Diode SLR-325VC RED	0000813259	
D202	Diode SLR-325MC GRN	0000813242	
D203	Diode SLR-325DC ORG	0000813235	
C201	Cap. Ceramic 0.1mfd	0300988251	
C202	Cap. Elec. 25V 10mfd	0300504413	
X201	Remote Control Amplifier SBX1810-22	0101525129	
CN201	Wire w/Connector L=230	9701397013	
	Lamp Cover	9305451012	

**INDOOR UNIT [RSWM-12M, RSWM-12CM]
RELAY PCB ASSEMBLY (Ref. No.968)**

Ref. No.	Description	Part No.	Ord. Qty
K301	Relay G4A-1A-PS	9703454011	
CN301	Wire w/Connector L=140	9701279012	

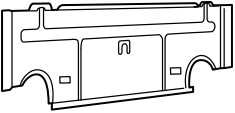
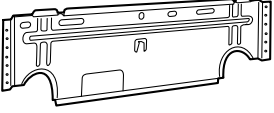

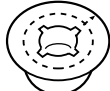


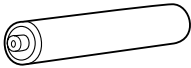

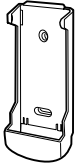

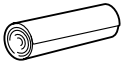
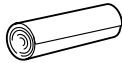
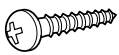
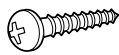


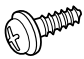
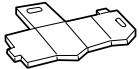

**OUTDOOR UNIT [ROM-32N]
CONTROLLER PCB ASSEMBLY (Ref. No. 236)**

 When you order parts, please make a photocopy of this page
and fill the number of the parts in the "Order" column.

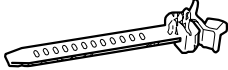


Ref. No.	Description	Part No.	Ord. Q'ty	Ref. No.	Description	Part No.	Ord. Q'ty
IC1	IC uPD789166GB-543-8ES	9704078018		C8	Cap. Elec. 25V 100mfd	0301197560	
IC2	IC NJM7805FA	0100462081		C9	Cap. Ceramic 0.01mfd	0300209127	
IC3-6	IC TLP621(D4)-GB	0000117074		C10	Cap. Elec. 25V 1000mfd	0301196495	
IC7	IC PST600CMT	0101461120		C11	Cap. Elec. 25V 1000mfd	0301158264	
IC8	Xstr Array uPA2003GR	0100028041		C12,14,38-41	Cap. Ceramic 25V 0.1mfd	0301102885	
Q1	Xstr 2SC4236	0000164047		C13	Cap. Elec. 25V 100mfd	0301192350	
Q2	Xstr 2SC1740S	0000699235		C15-30,42	Cap. Ceramic 50V 0.01mfd	0301102830	
Q3-6	Xstr DTC124EKA	0000936033		C35,36	Cap. Elec. 25V 10mfd	0301192312	
D1	Diode D3SB60	0000689045		CJ32,33	Cap. Ceramic 50V 1000pF	0300277096	
D2,4,7	Diode D1FL20U	0000746519		CR1-3	CR Absorber RPEL-121204 -C	9701125012	
D3	Diode MTZJ5.1B	0000852166		VA1,2	Varistor TNR10G471K	0000361224	
D5	Diode 1SR139-600	0000353120		F1	Fuse BET 6.3A-250V	0600222574	
D6	Diode D2FL20U	0000906500		FH1,2	Fuse Holder PFC5000-0502	0500158072	
D10,11	Diode DA226U	0000625036		LF1	EMI Filter ELF19N025A	0400193098	
D12-15	Diode D1F60	0000208024		K2	Relay JQ1P-12V	9701794010	
D16-18	Diode SLR-325VC	0000813259		K3,4	Relay G5N-1A	9701566013	
D19	Diode DAN202K	0000684019		T1	Switching Transformer ETS28AS118AH	9702727017	
R1	Res. Wire Wound 5W 3.3ohm±5%	0200244372		X1	Ceramic Resonator CSTS0500MG03-T	9702840013	
R2	Res. Metal Oxide 2W 1.5ohm±5%	0201107119		SA1	Arrester RA-362M-V7-F	0600280154	
R3	Res. 1/10W 3.3ohm±5%	0201010501		CN1	Plug, PCB B2P3-VH-B-C	0500011773	
R4	Res. Metal 2W 330kohm±5%	0200357133		CN2	Plug, PCB B4P7-VH-B	0500011742	
R5	Res. Metal Oxide 2W 62kohm±5%	0201107997		CN3	Plug, PCB B2P3-VH-B-Y	0500011827	
R6	Res. 1/2W 100ohm±5%	0200731506		CN4	Plug, PCB B4P7-VH-B-R	0500011797	
R7	Res. 1/4W 330ohm±5%	0200230627		CN5	Plug, PCB B2P3-VH-B-R	0500011766	
R8,16-23,45-52, 54-58	Res. 1/10W 10kohm±5%	0201011010		CN7	Plug, PCB B4B-XAKK-1-A	0501045715	
R9-12	Res. Metal Oxide 1W 560kohm±5%	0201106662		CN8	Plug, PCB B5P-SHF-1AA	0500006069	
R13-15	Res. 1/10W 560ohm±5%	0201010686		CN9	Plug, PCB B4B-XASK-1-A	0501045036	
R24-27	Res. 1/10W 390ohm±5%	0201010648		CN10	Plug, PCB 179844-1	0501121013	
R28-31,33-41,53	Res. 1/10W 1kohm±5%	0201010747		CN11	Plug, PCB 179844-2	0501121020	
R43,44	Res. 1/10W 6.65kohm±1%	0201118801		CN13	Plug, PCB B6B-XASK-1-A	0501045050	
C1,4	Cap. Plastic 1.5mfd	0300304143		W1	Wire w/Terminal L=280 BLK	9704106018	
C2,3	Cap. Plastic 0.047mfd	0301052111		W2	Wire w/Terminal L=300 WHT	9704107015	
C5	Cap. Elec. 450V 100mfd	0300256060		E1	Wire w/Terminal L=120 GRN	9702066062	
C6	Cap. Plastic 4700pF	0300269091		JM1,3,5,CJ31	Res. 0 ohm	0201010013	
C7	Cap. Plastic 50V 0.047mfd	0300169339		JM6	Wire L=10mm 0.6dia	9700025016	

STANDARD ACCESSORIES

INDOOR UNIT ACCESSORIES

UNIT A1, A2		UNIT B		Part No.
Name and Shape	Q'ty	Name and Shape	Q'ty	
Wall hook bracket 	1	Wall hook bracket 	1	UNIT A1, A2 9304093008 UNIT B 9304358008
Wall cap-B 	1	Wall cap-B 	1	313714296205
Remote control unit 	1	Remote control unit 	1	UNIT A1, A2 9359960119 (AR-DJ15) UNIT B 9307113062 (AR-DB6)
Battery (penlight) 	2	Battery (penlight) 	2	0600185534
Remote control unit holder 	1	Remote control unit holder 	1	9305642014
Cloth tape 	1	Cloth tape 	1	9308117007
Tapping screw (big) (φ 4 x 20) 	8	Tapping screw (big) (φ 4 x 20) 	8	301141164200
Tapping screw (small) (φ 3 x 12) 	2	Tapping screw (small) (φ 3 x 12) 	2	0700019036
Flange screw (φ 4 x 10) 	2	_____		9305114009
Spacer 	1	_____		_____
Seal-A 	1	_____		9304536000

OUTDOOR UNIT ACCESSORIES

Name and Shape	Q'ty	Part No.												
Cable mark <table border="1" style="margin-left: 20px;"> <tr> <td>A1-A</td> <td>A1-A</td> <td>A1-B</td> <td>A1-B</td> </tr> <tr> <td>A2-A</td> <td>A2-A</td> <td>A2-B</td> <td>A2-B</td> </tr> <tr> <td>B-A</td> <td>B-A</td> <td>B-B</td> <td>B-B</td> </tr> </table>	A1-A	A1-A	A1-B	A1-B	A2-A	A2-A	A2-B	A2-B	B-A	B-A	B-B	B-B	1	9366806004
A1-A	A1-A	A1-B	A1-B											
A2-A	A2-A	A2-B	A2-B											
B-A	B-A	B-B	B-B											
Clip 	3	313739340109												
Putty 	1	303020200114												
Hexagon wrench 	1	9351228019												



MANUFACTURER :

Fuji Denki Sosetsu Co., Ltd.

Tokyo, Japan