

FUJII ELECTRIC

SPLIT TYPE AIR CONDITIONER

CASSETTE type (50Hz)

SERVICE MANUAL

Models	Indoor unit	Outdoor unit
	RCW-36CA	RO-36CA
	RCW-45CA	RO-45A
	RCW-54CA	RO-54A

C O N T E N T S

SPECIFICATIONS	1
OUTLINE AND DIMENSIONS	2
CIRCUIT DIAGRAM	3
REFRIGERANT SYSTEM DIAGRAM	4
INDOOR PRINTED CIRCUIT BOARD CIRCUIT DIAGRAM	5
INDOOR P.C. BOARD LAYOUTS	6
DISASSEMBLY ILLUSTRATION	8
PARTS LIST	16

S P E C I F I C A T I O N S

TYPE		COOLING		
MODEL	IN	RCW-36CA	RCW-45CA	RCW-54CA
	OUT	RO-36CA	RO-45A	RO-54A
COOLING CAPACITY	kW	10.3 - 10.5	12.4 - 12.7	13.9 - 14.1

POWER SOURCE	V	380 - 415		
	ø/Hz	3 / 50		
RUNNING CURRENT	A	7.0 - 7.2	7.5 - 7.5	8.5 - 8.6
INPUT WATTS	kW	3.80 - 3.90	4.35 - 4.45	4.90 - 5.00
E.E.R.	kW/kW	2.71 - 2.69	2.85 - 2.85	2.84 - 2.82
STARTING CURRENT	A	48	55	79
MOISTURE REMOVAL	ℓ/h	5	6	6

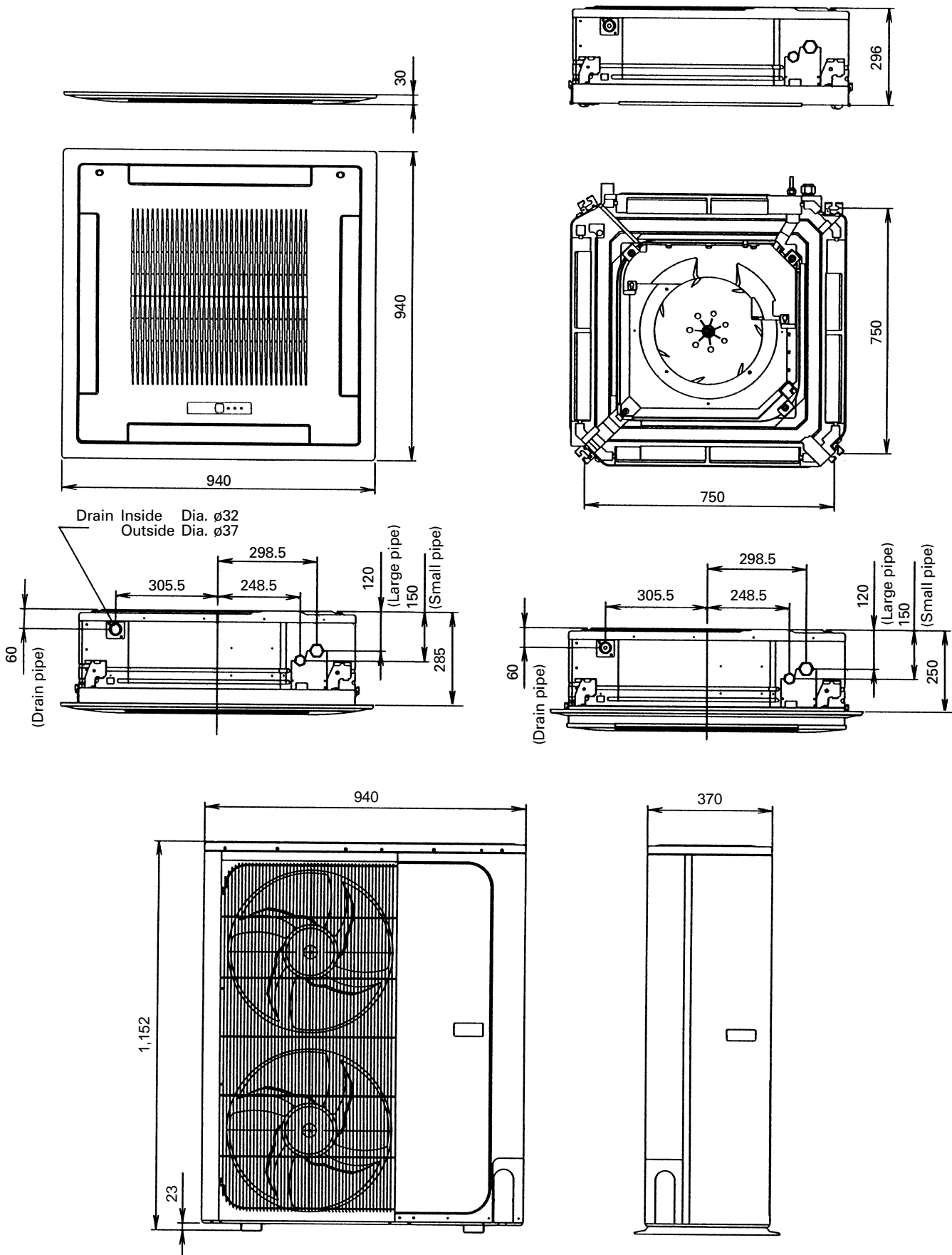
FAN SPEED (r.p.m.)	INDOOR	HIGH	580	620	680
		MED	500	550	580
		LOW	420	470	500
	OUTDOOR	790	790	790	
AIR FLOW	INDOOR	m³/h	1,500	1,650	1,800
	OUTDOOR	m³/h	5,900	5,500	5,500
DIMENSIONS H x W x D (mm)	NET	IN	296 x 830 x 830		
		GRILLE	30 x 940 x 940		
		OUT	1,152 x 940 x 370		
WEIGHT [NET/GROSS] (kg)		IN	40 / 47		
		OUT	94 / 108	102 / 116	112 / 126
MAX PIPE LENGTH/HEIGHT	m	50 / 30			
REMOTE CONTROLLER TYPE	WIRELESS				

REFRIGERANT CHARGING

PIPE LENGTH		10 m (33 ft)	20 m (66 ft)	30 m (99 ft)	40 m (132 ft)	50 m (164 ft)	Additional refrigerant
FULL CHARGE AMOUNT	RCW-36CA	2,350 g (82.9 oz)		2,750 g (97.0 oz)	3,150 g (111.1 oz)	3,550 g (125.2 oz)	40 g/m
	RCW-45CA	3,500 g (123.5 oz)		3,900 g (137.6 oz)	4,300 g (151.7 oz)	4,700 g (165.8 oz)	(1.41 oz / 3.3 ft)
	RCW-54CA	4,000 g (141.1 oz)		4,500 g (158.7 oz)	5,000 g (176.4 oz)	5,500 g (194.0 oz)	50 g/m (1.76 oz / 3.3 ft)

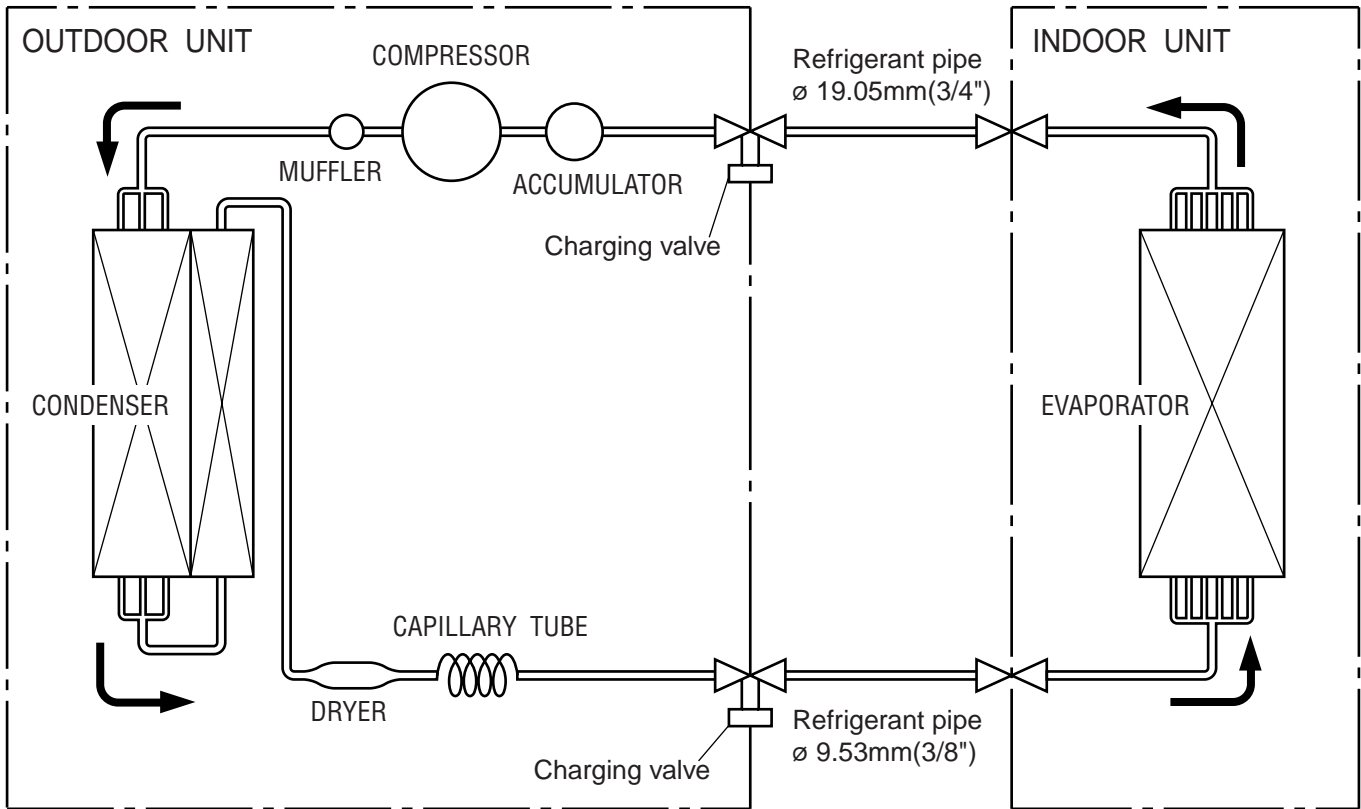
OUTLINE AND DIMENSIONS

Unit : mm

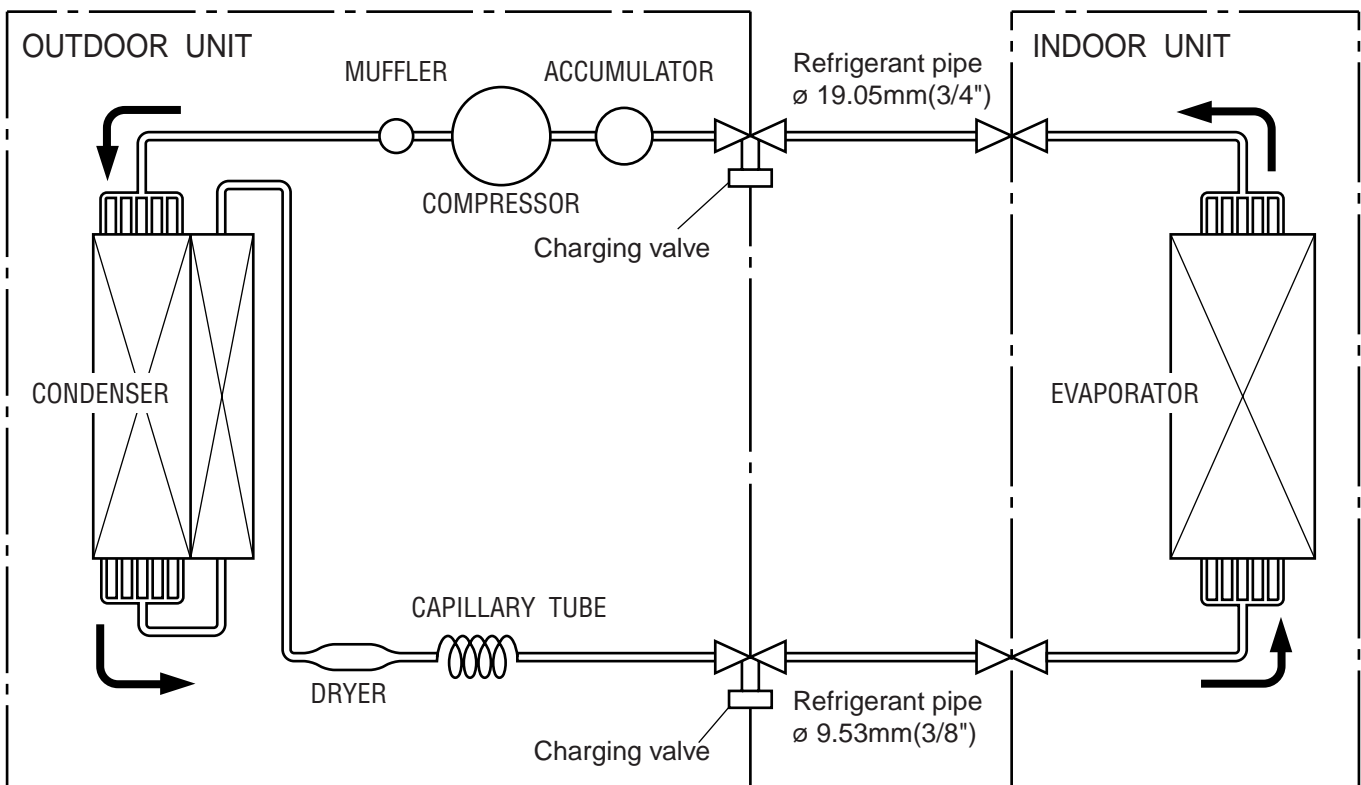


REFRIGERANT SYSTEM DIAGRAM

Models : RCW-36CA / RO-36CA

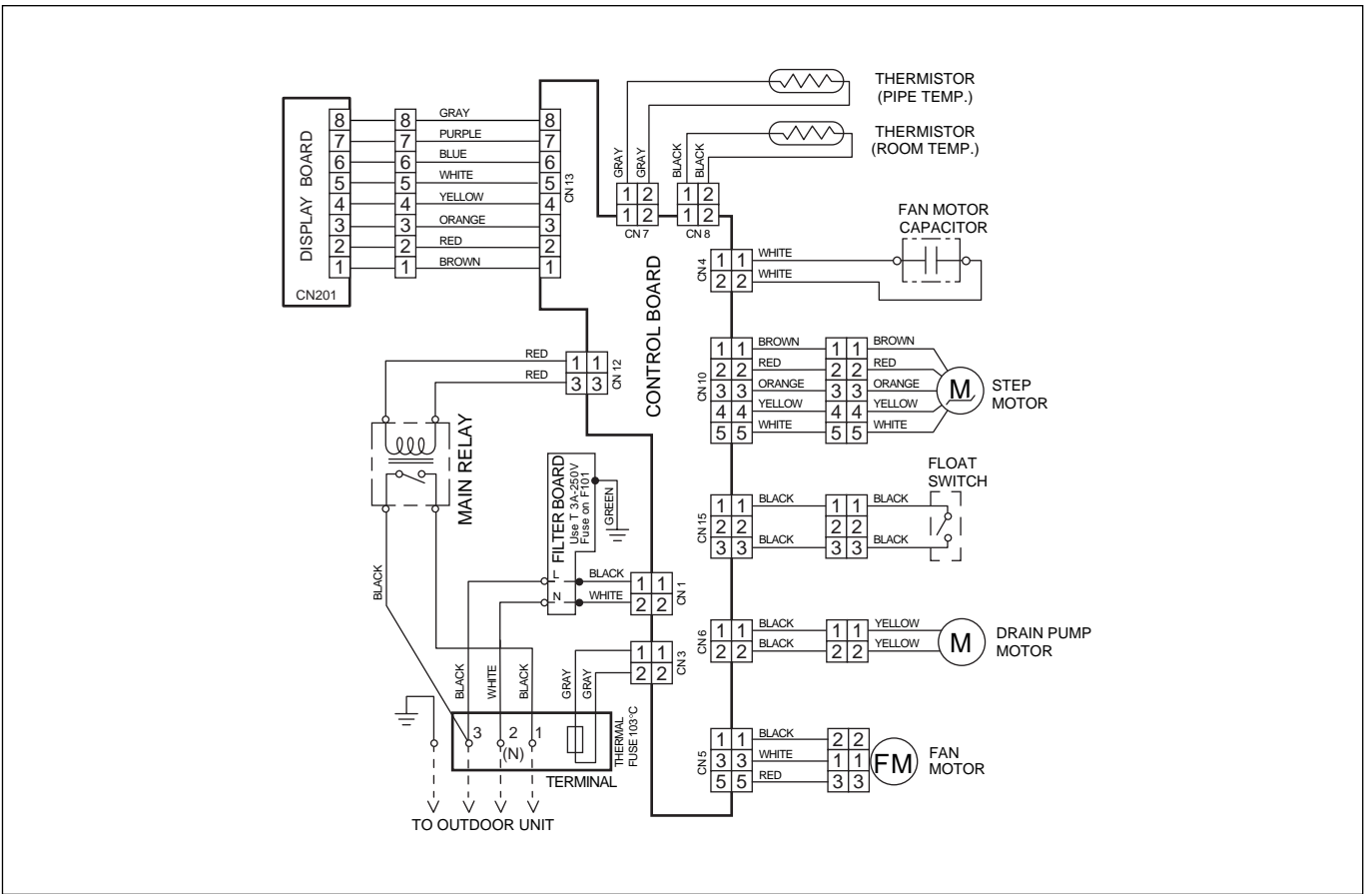


Models : RCW-45CA / RO-45A
RCW-54CA / RO-54A

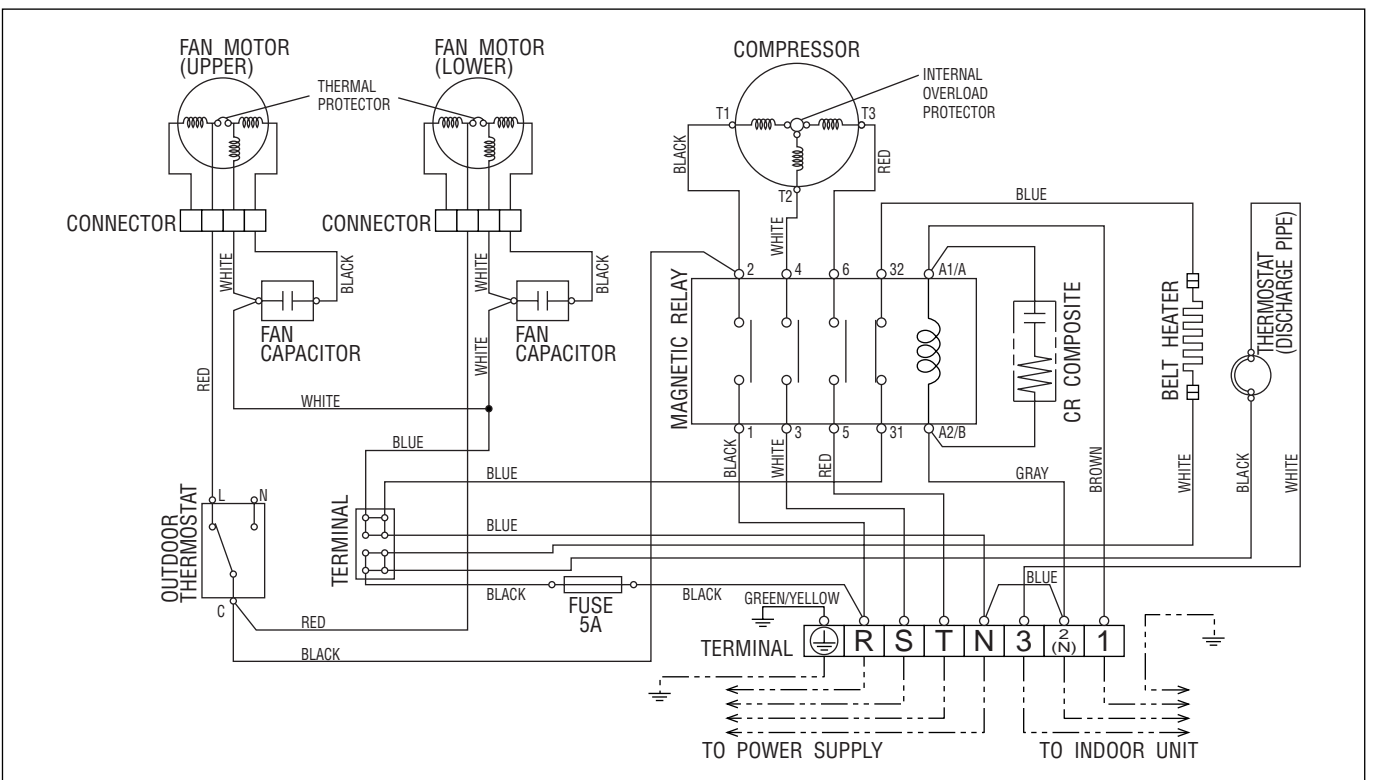


CIRCUIT DIAGRAM

**Models : RCW-36CA
RCW-45CA
RCW-54CA**



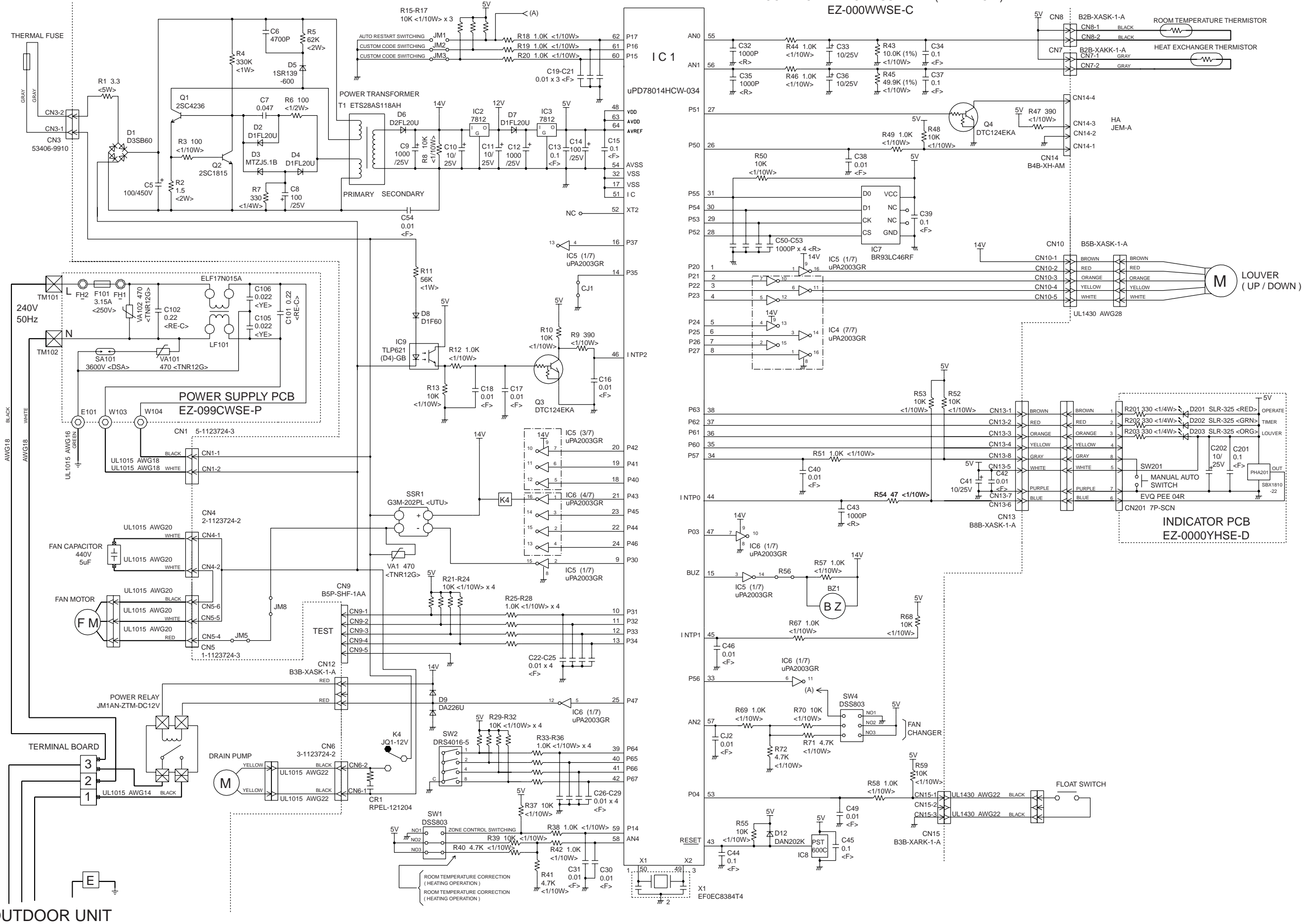
**Models : RO-36CA
RO-45A
RO-54A**



INDOOR PRINTED CIRCUIT BOARD CIRCUIT DIAGRAM

Models : RCW-36CA
RCW-45CA
RCW-54CA

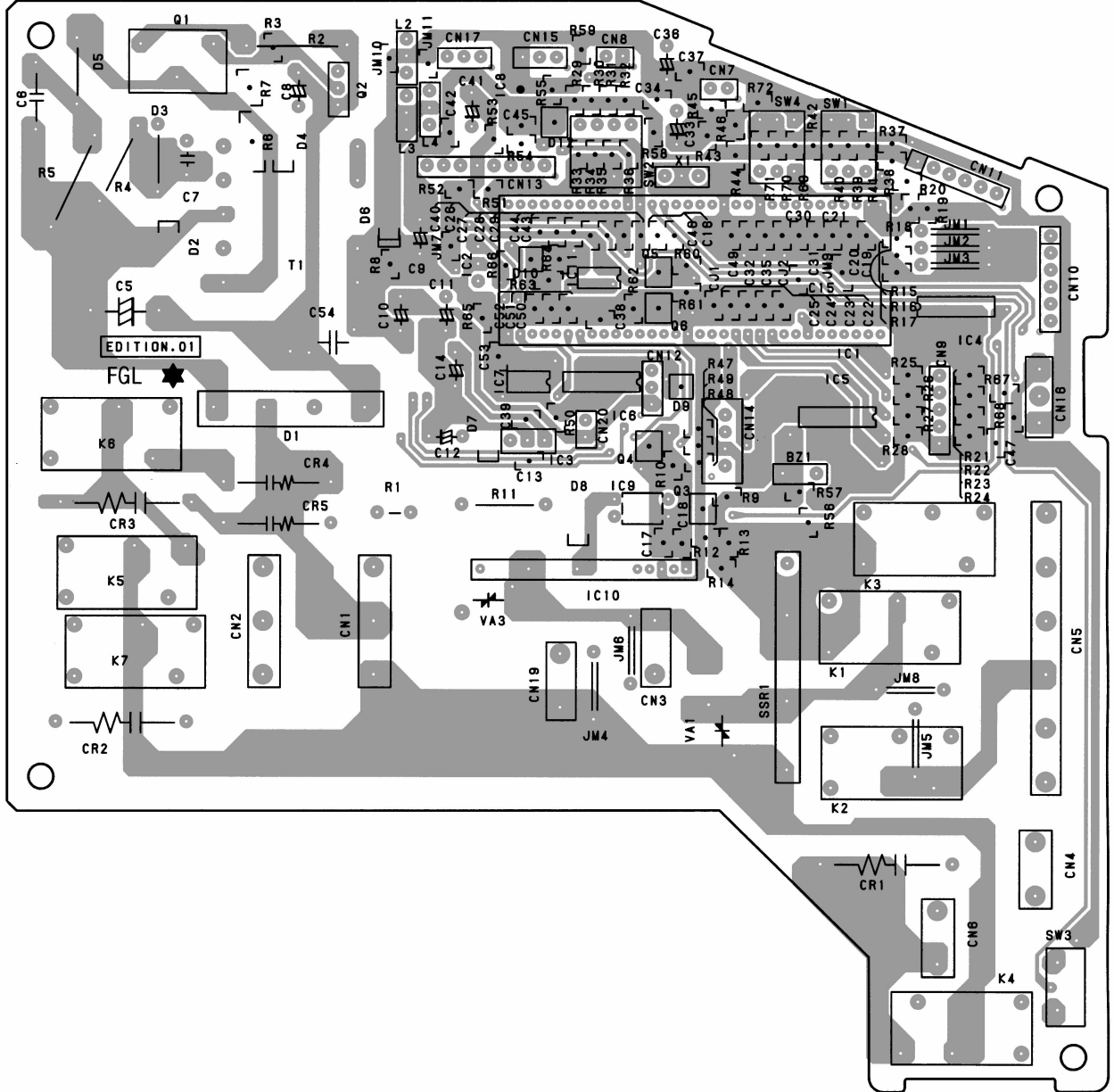
CONTROLLER PCB ASSEMBLY (MAIN PCB)
EZ-000WWSE-C



INDOOR P.C. BOARD LAYOUTS

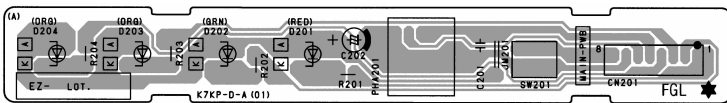
CONTROLLER PCB ASSEMBLY

(Viewed from the solder side)



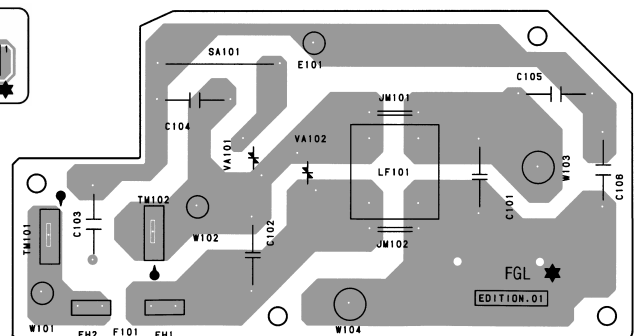
INDICATOR PCB ASSEMBLY

(Viewed from the solder side)



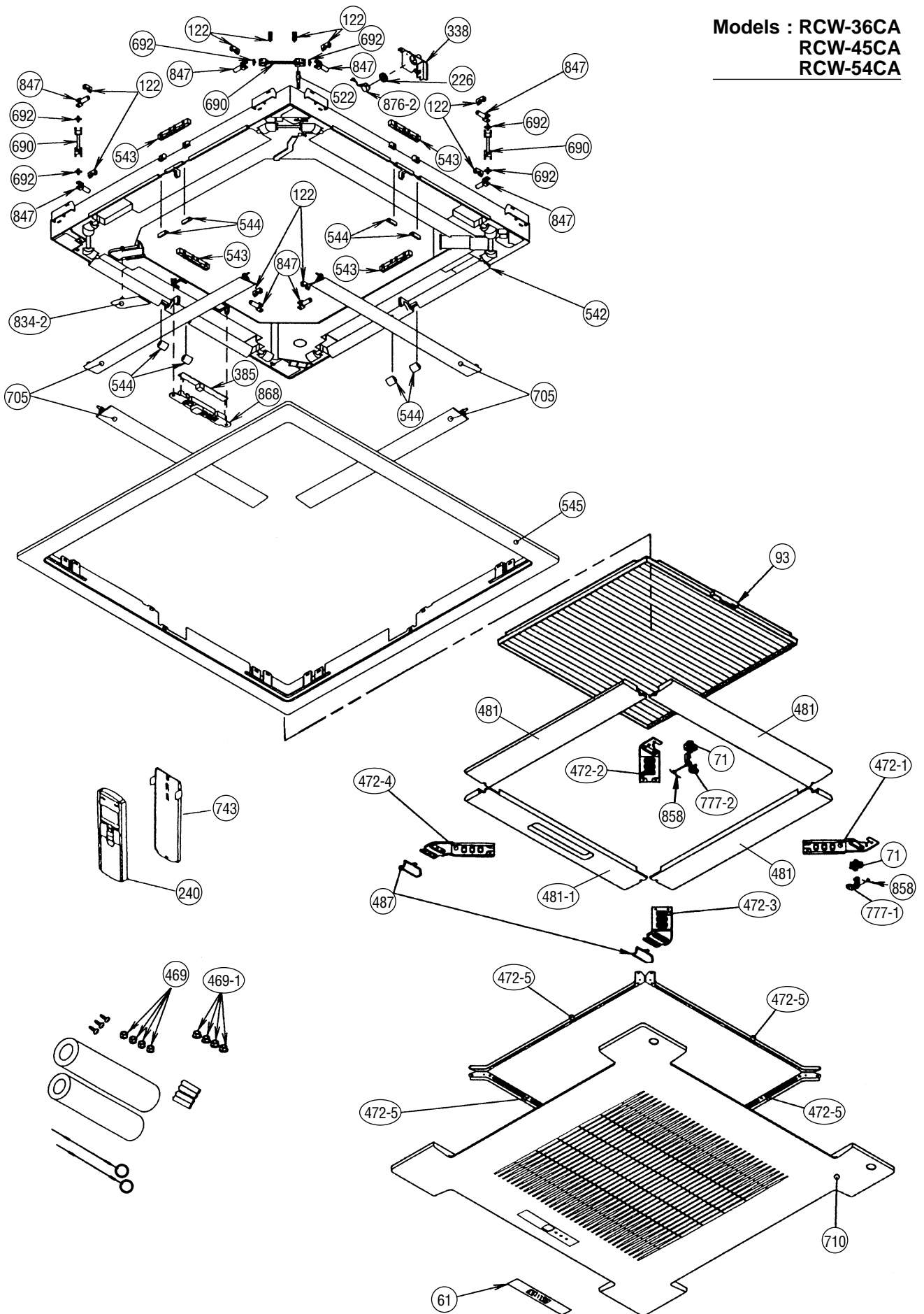
FILTER PCB ASSEMBLY

(Viewed from the solder side)

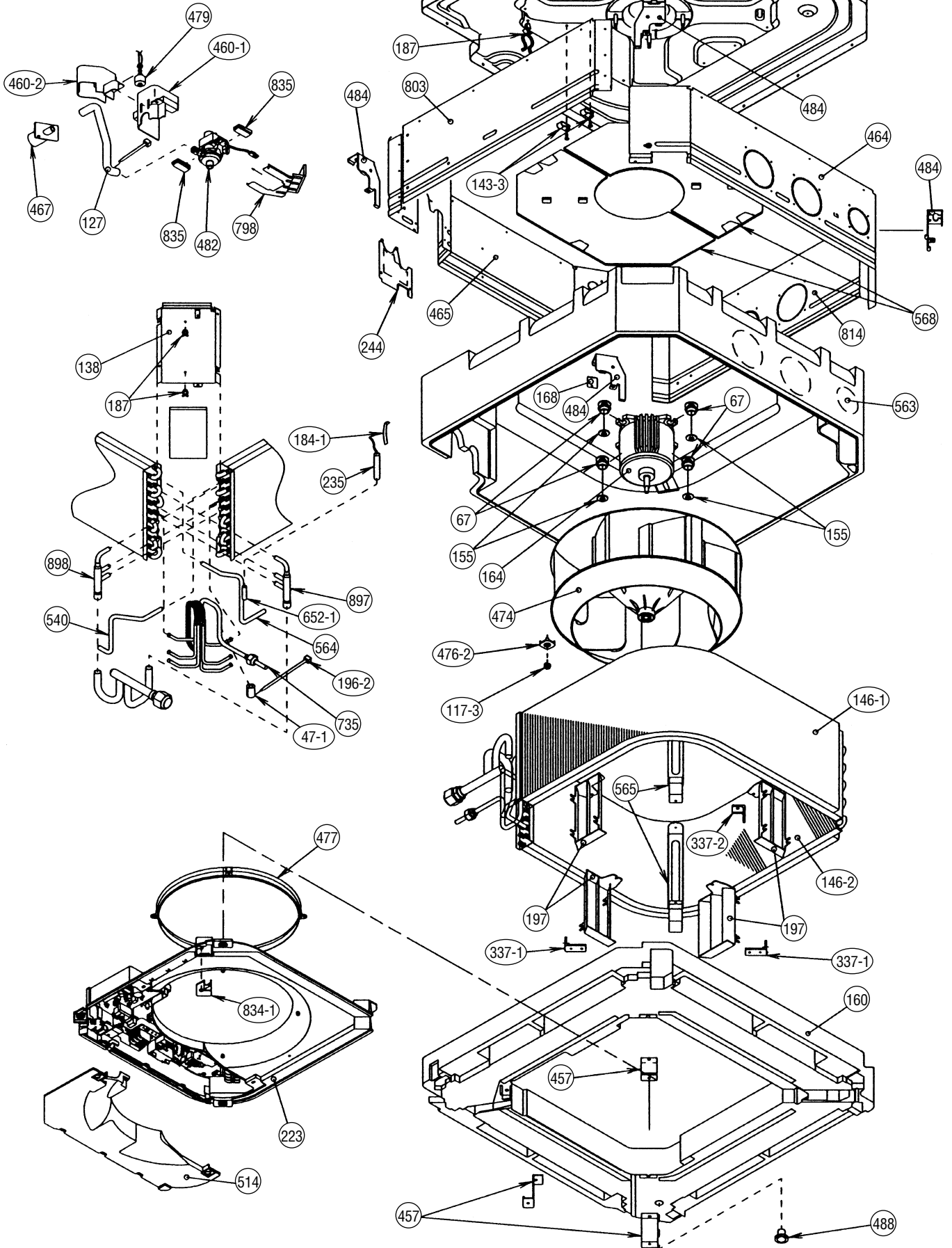


DISASSEMBLY ILLUSTRATION

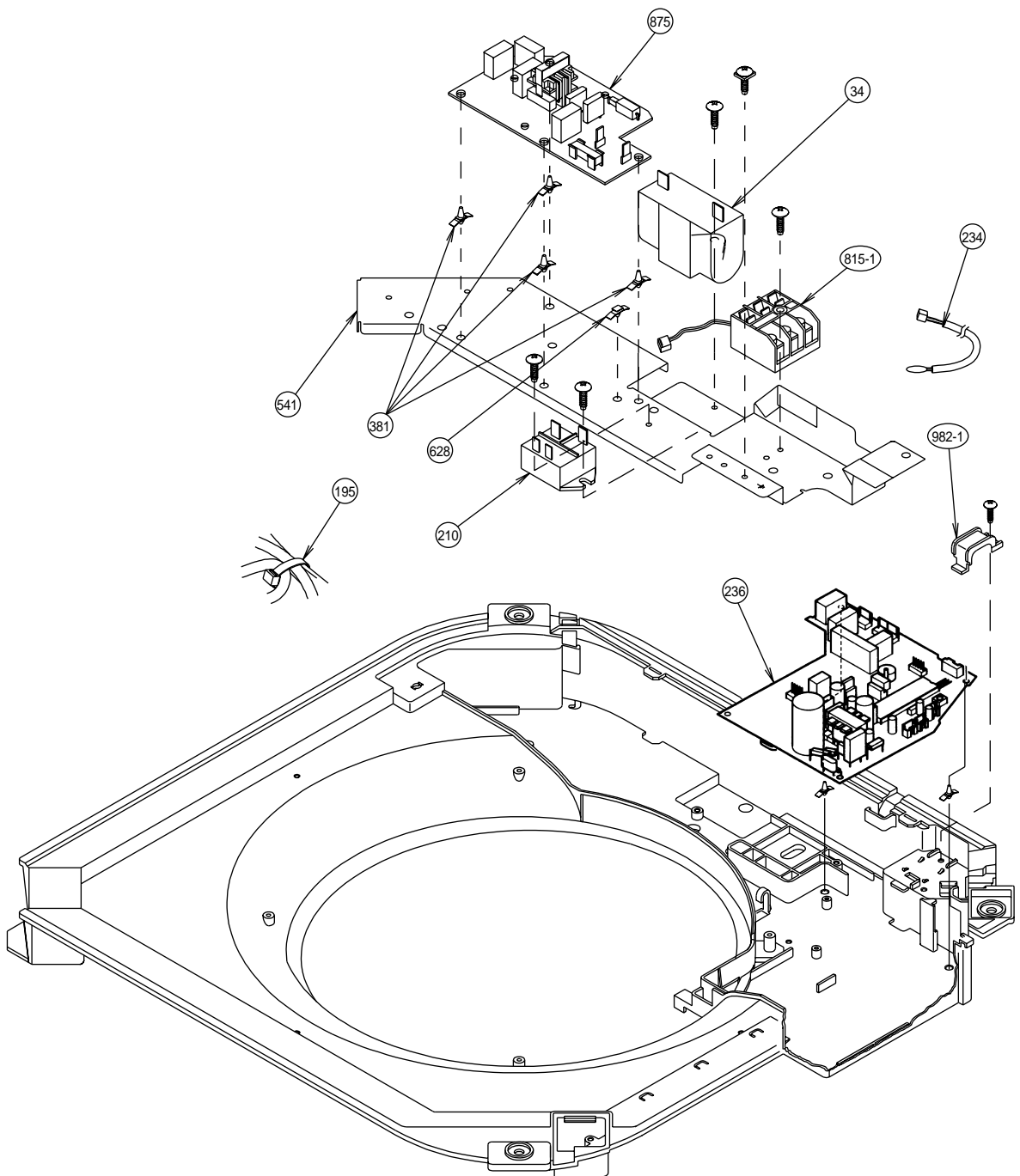
Models : RCW-36CA
RCW-45CA
RCW-54CA



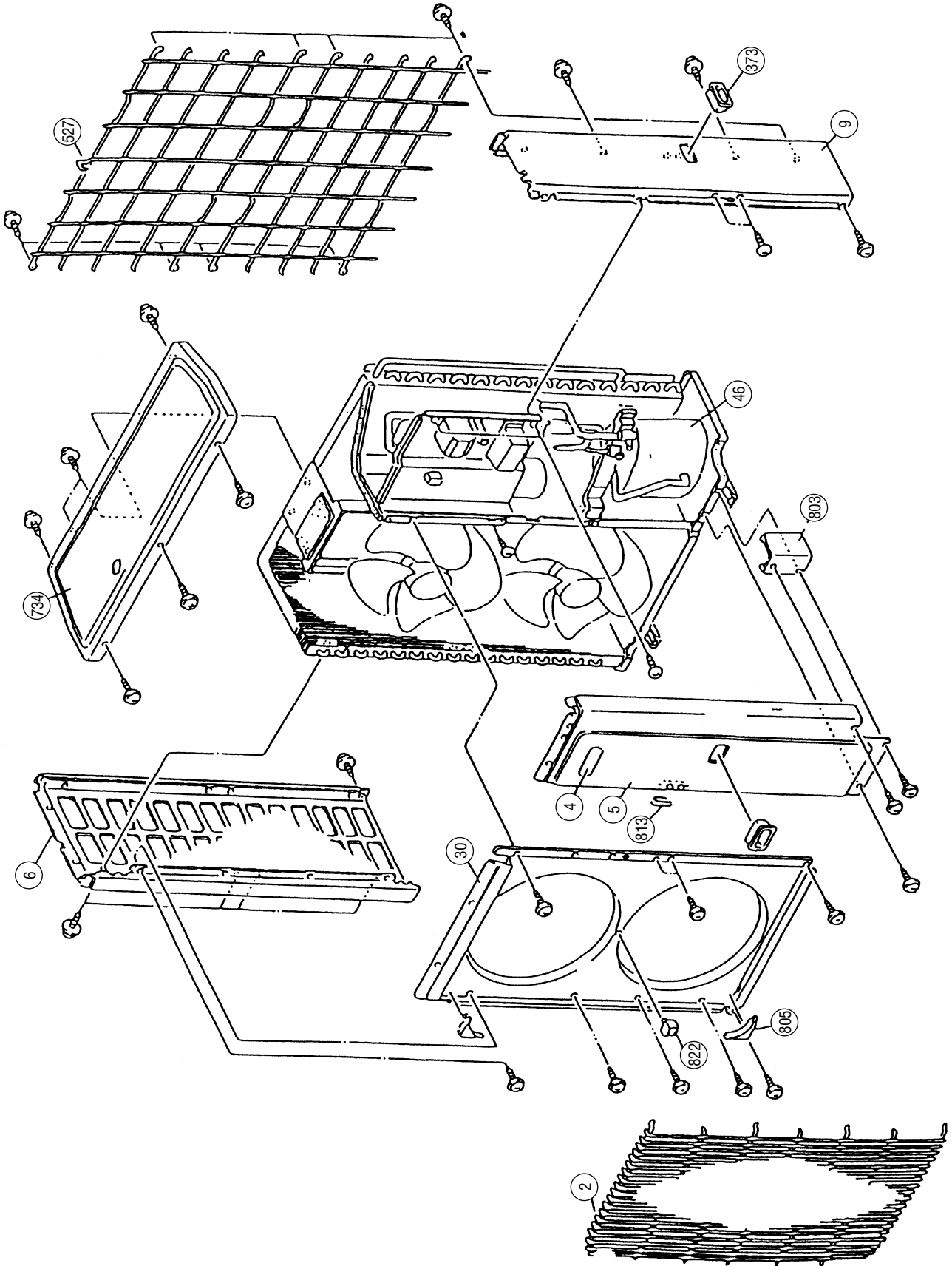
Models : RCW-36CA
 RCW-45CA
 RCW-54CA



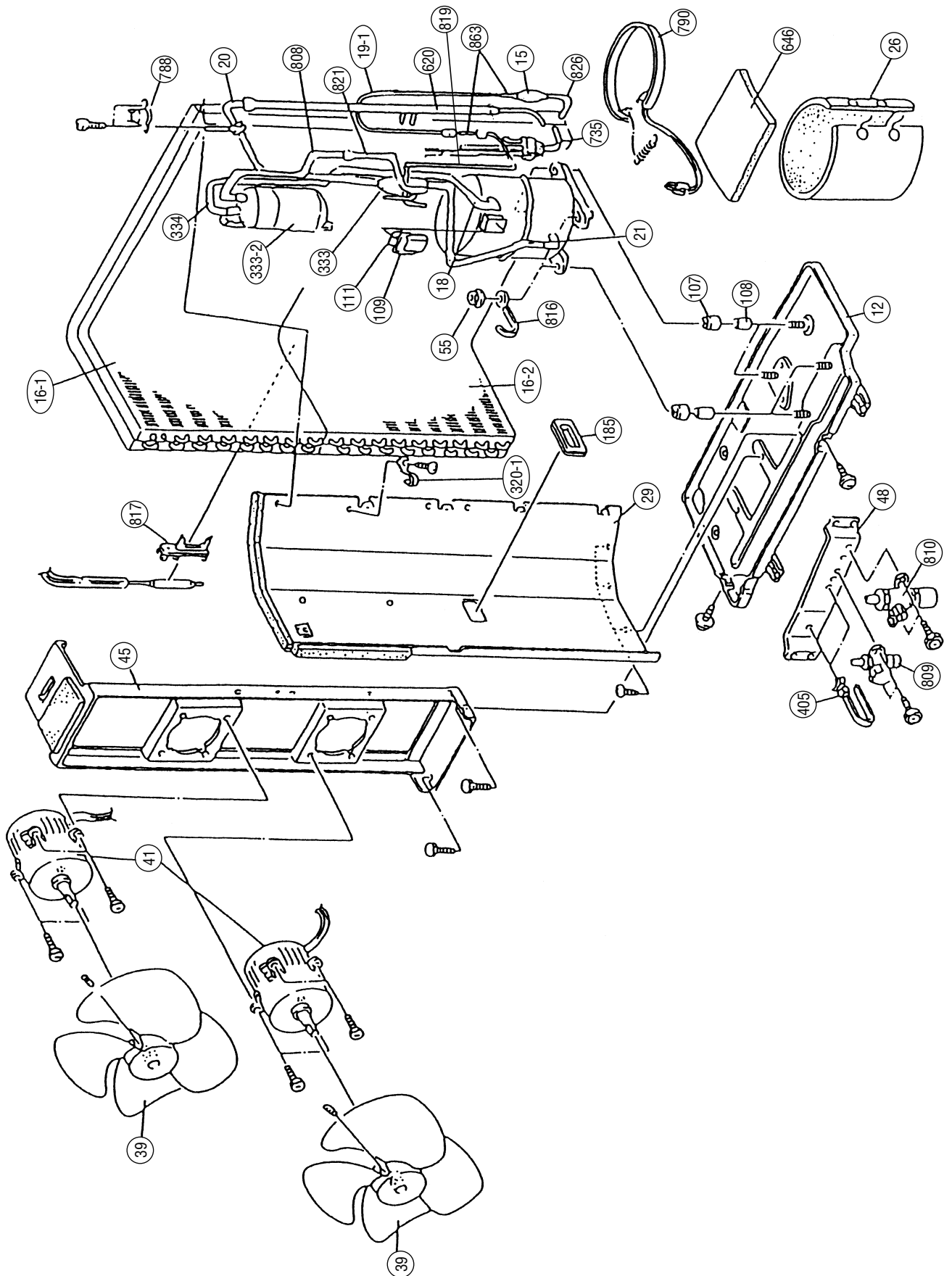
Models : RCW-36CA
RCW-45CA
RCW-54CA



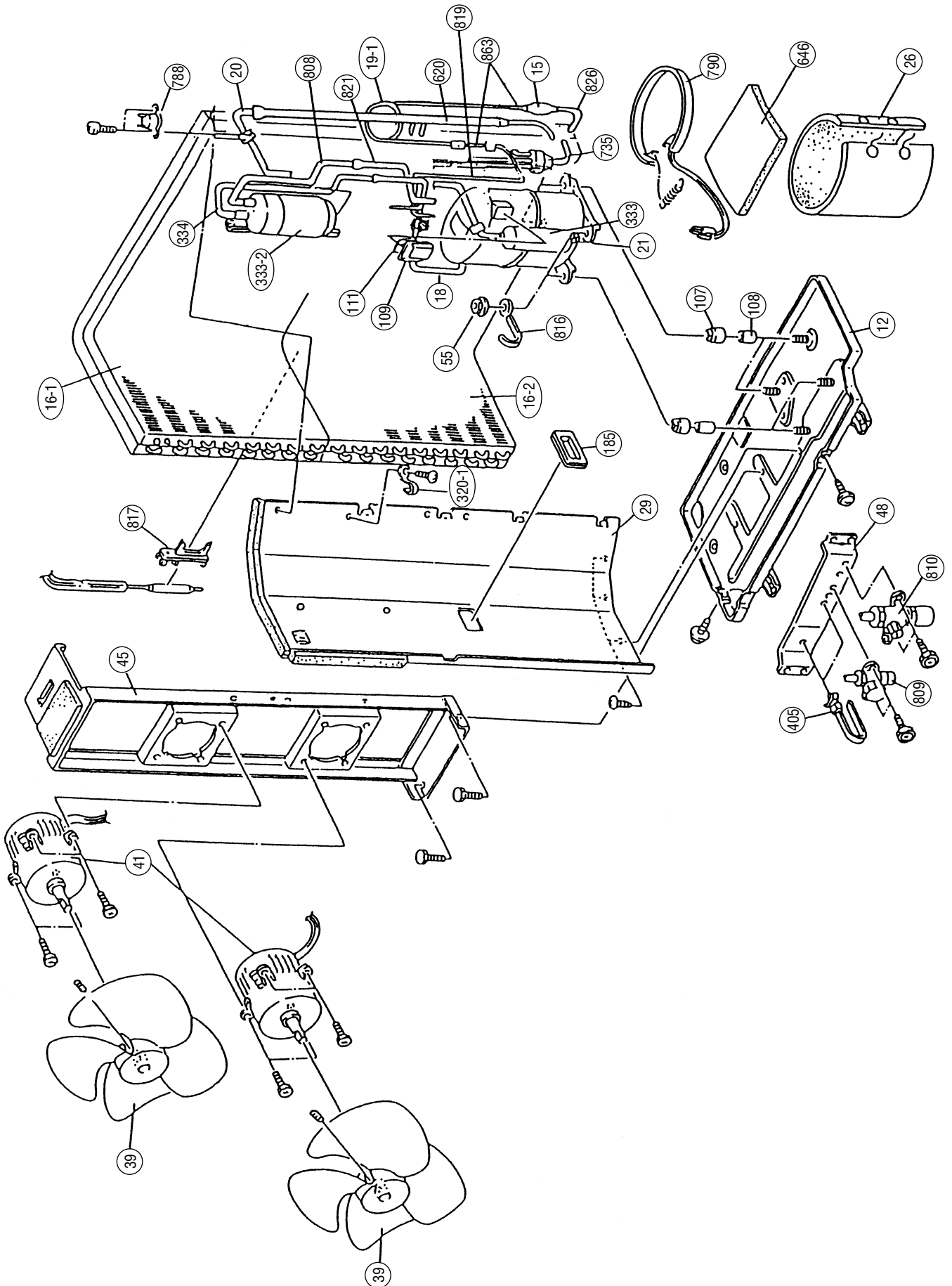
Models : RO-36CA
RO-45A
RO-54A



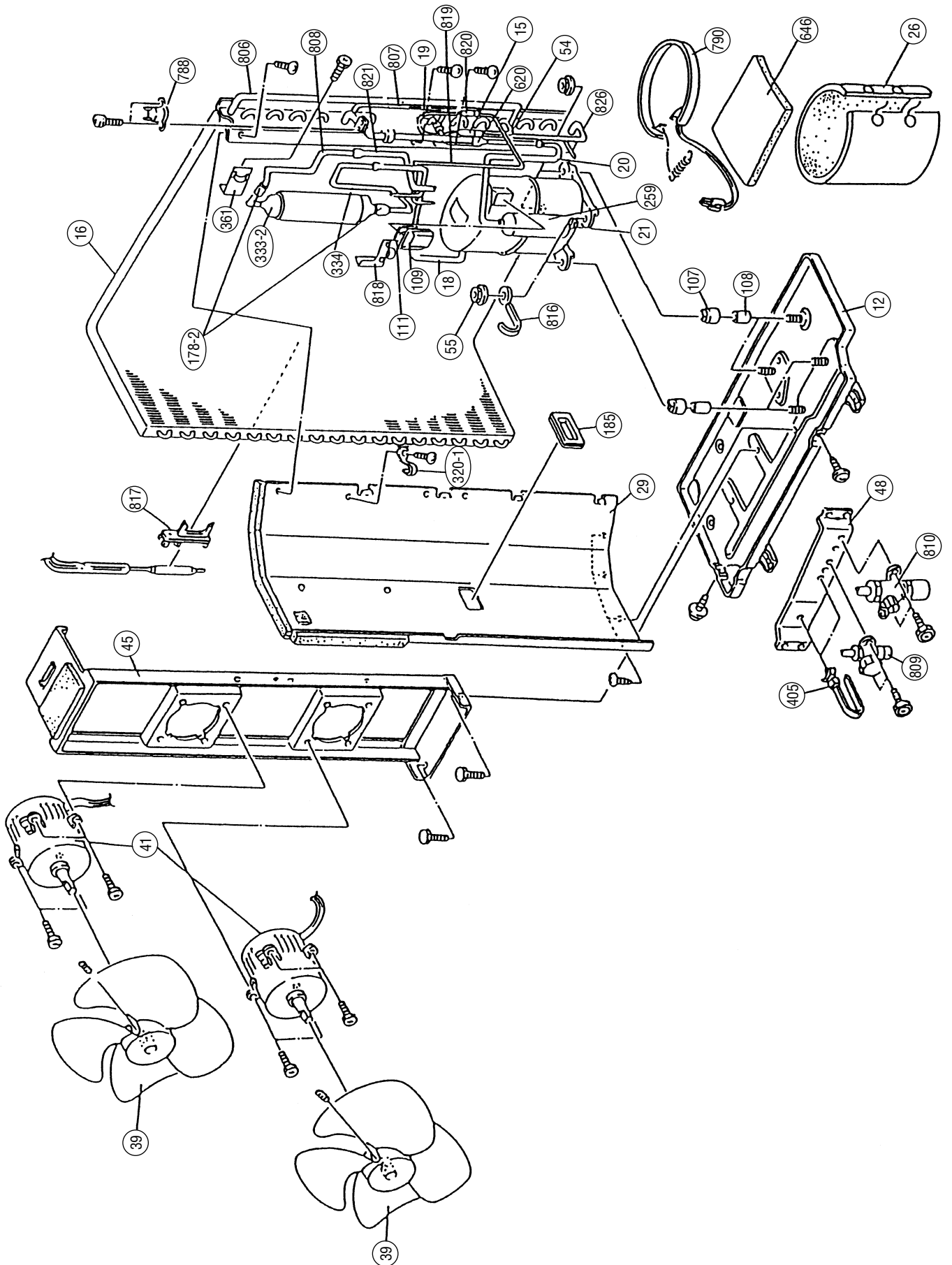
Model : RO-54A



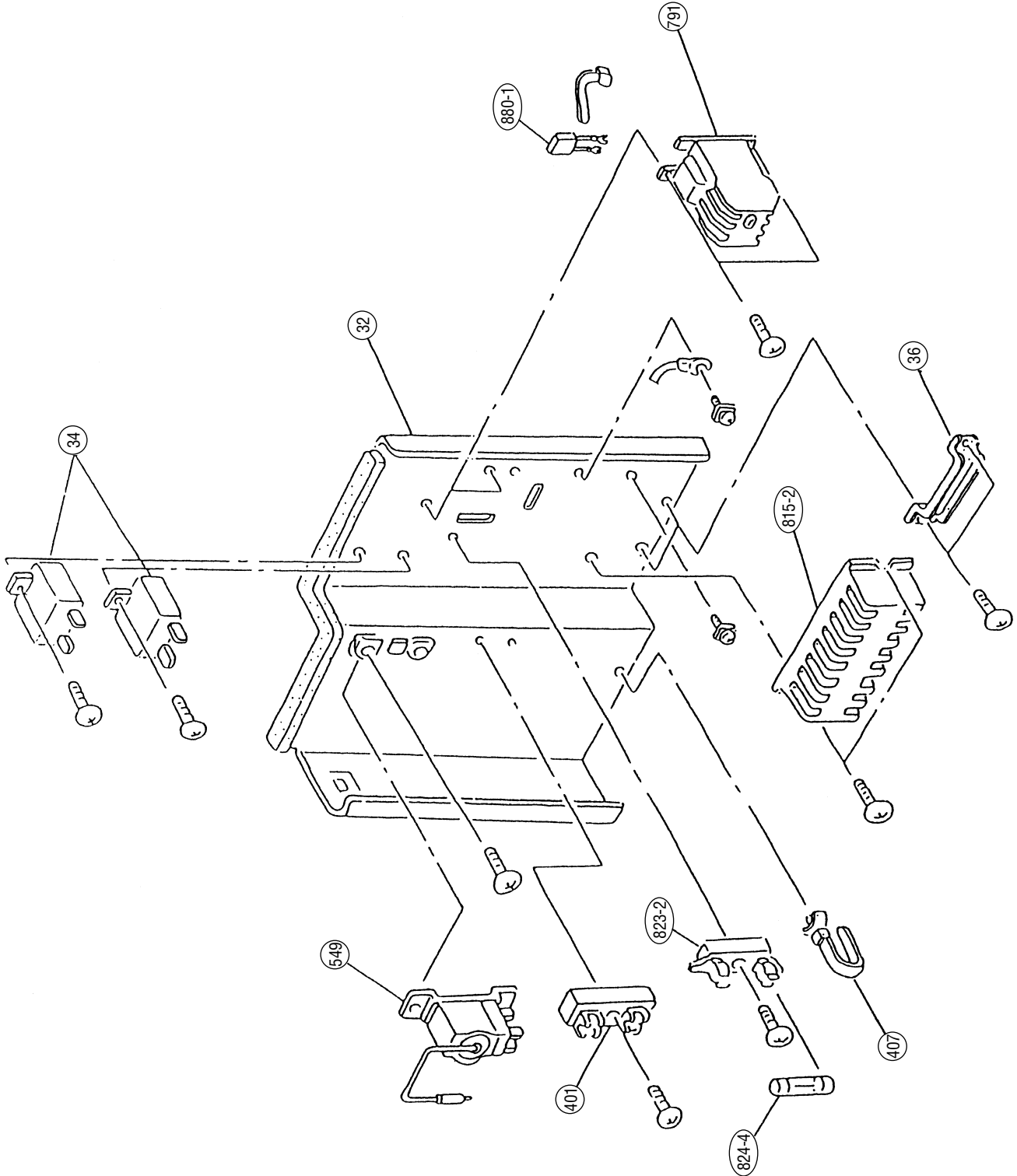
Model : RO-45A



Model : RO-36CA



Models : RO-36CA
RO-45A
RO-54A



PARTS LIST

When you order parts, please make a photocopy of this page and fill the number of the parts in the "Order" column.

INDOOR UNIT

Ref. No.	Description	Part No.			Ord.
		RCW-36CA	RCW-45CA	RCW-54CA	Q'ty
34	Capacitor (Fan Motor)	9703306068	9703306068	9703306068	
47-1	Rubber (Discha. Pipe)	313194159807	313194159807	313194159807	
61	Decoration Plate "FUJI ELECTRIC"	9369323003	9369323003	9369323003	
67	Rubber (Vibration Proof)	9362783002	9362783002	9362783002	
71	Grille Hook Holder	9362782005	9362782005	9362782005	
93	Filter	9362766005	9362766005	9362766005	
117-3	Hex. Nut w / Spring Washer	301721180114	301721180114	301721180114	
122	Louver Support Holder	9362799003	9362799003	9362799003	
127	Drain Hose	9362784009	9362784009	9362784009	
138	Separate Wall	9362737005	9362737005	9362737005	
143-3	Clamp NK-6N	9305657001	9305657001	9305657001	
146-1	Evaporator-A Assy	9363149005	9363149005	9363149005	
146-2	Evaporator-B Assy	9363150001	9363150001	9363150001	
155	Special Nut M6	9307615016	9307615016	9307615016	
160	Drain Pan Assy	9362804004	9362804004	9362804004	
164	Fan Motor Assy-IN	9600878019	9600878019	9600878019	
168	Cabinet-E	9362735001	9362735001	9362735001	
184-1	Thermo. Spring-A	313728262708	313728262708	313728262708	
187	Clamp No. 1219	313361271706	313361271706	313361271706	
195	Clamp SKB-100	313361275805	313361275805	313361275805	
196-2	Clamp SKB-150	313035356905	313035356905	313035356905	
197	Wind Guide Board	9363117004	9363117004	9363117004	
210	Main Relay	9356781007	9356781007	9356781007	
223	Control Box	9362762007	9362762007	9362762007	
226	Motor Gear	9362764001	9362764001	9362764001	
234	Thermistor Assy-Room	9703299025	9703299025	9703299025	
235	Thermistor Assy-Pipe	9703297014	9703297014	9703297014	
236	Controller PCB Assy	9704027085	9704027023	9704027092	
240	Remote Control Unit	9359913085	9359913085	9359913085	
244	Pipe Cover	9362748001	9362748001	9362748001	
337-1	Reinforcement (Eva.)-A	9362749008	9362749008	9362749008	
337-2	Reinforcement (Eva.)-B	9362750004	9362750004	9362750004	
338	Motor Holder	9362765008	9362765008	9362765008	
381	Locking Spacer	313209391506	313209391506	313209391506	
385	Indicator PCB Assy	9704017017	9704017017	9704017017	
457	Reinforcement (Drain Pan)	9362757003	9362757003	9362757003	
460-1	Pump Cover-A	9362775007	9362775007	9362775007	
460-2	Pump Cover-B	9362776004	9362776004	9362776004	
462	Top Cover Plate	9362806015	9362806015	9362806015	
464	Cabinet-A	9362800013	9362800013	9362800013	
465	Cabinet-B	9362801010	9362801010	9362801010	
467	Drain Port	9362786003	9362786003	9362786003	
469	Special Nut-B (Small)	313005446759	313005446759	313005446759	
469-1	Special Nut-A (Large)	313005446653	313005446653	313005446653	
472-1	Grille Reinforcement-A	9362738002	9362738002	9362738002	
472-2	Grille Reinforcement-B	9362739009	9362739009	9362739009	
472-3	Grille Reinforcement-C	9362740005	9362740005	9362740005	
472-4	Grille Reinforcement-D	9362741002	9362741002	9362741002	
472-5	Grille Reinforcement-E	9362742009	9362742009	9362742009	
474	Turbo Fan Assy	9362803014	9362803014	9362803014	
476-2	Special Washer	9362756006	9362756006	9362756006	
477	Bellmouth (B)	9362774000	9362774000	9362774000	
479	Float Switch	9703285004	9703285004	9703285004	
481	Insulation (Grille) A	9362780001	9362780001	9362780001	
481-1	Insulation (Grille) B	9362781008	9362781008	9362781008	
482	Pump Unit	9703125010	9703125010	9703125010	
484	Hook	9362736008	9362736008	9362736008	
487	Grille Hinge Wire	9362754002	9362754002	9362754002	
488	Drain Pan Plug	313005174654	313005174654	313005174654	
514	Control Box Cover	9362763004	9362763004	9362763004	

When you order parts, please make a photocopy of this page and fill the number of the parts in the "Order" column.

INDOOR UNIT (Continued)

Ref. No.	Description	Part No.			Ord.
		RCW-36CA	RCW-45CA	RCW-54CA	Q'ty
522	Joint Gear	9362772006	9362772006	9362772006	
540	Bypass Pipe-B	9363152005	9363152005	9363152005	
541	Terminal Plate	9363642001	9363642001	9363642001	
542	Panel Base	9362759014	9362759014	9362759014	
543	Panel Frame Holder	9362761017	9362761017	9362761017	
544	Panel Base Holder	9362760010	9362760010	9362760010	
545	Panel Frame	9362758017	9362758017	9362758017	
563	Insulation (Inner Box)	9362768009	9362768009	9362768009	
564	Bypass Pipe-A Assy	9363151008	9363151008	9363151008	
565	Evaporator Holder Assy	9362802017	9362802017	9362802017	
568	Noise Insulation	9363143003	9363143003	9363143003	
628	Locking Spacer-B	313005446558	313005446558	313005446558	
652-1	Thermistor Holder Pipe	313806262805	313806262805	313806262805	
690	Joint-A	9362773003	9362773003	9362773003	
692	Joint Shaft	9362771009	9362771009	9362771009	
705	Louver	9362769013	9362769013	9362769013	
710	Intake Grille B	9362854016	9362854016	9362854016	
735	Distributor Assy	9363154009	9363154009	9363154009	
743	Remote Control Unit Holder	9359955016	9359955016	9359955016	
777-1	Grille Hook-A	9362779012	9362779012	9362779012	
777-2	Grille Hook-B	9362778015	9362778015	9362778015	
798	Pump Hook Bracket	9362753005	9362753005	9362753005	
803	Cabinet-D	9362734004	9362734004	9362734004	
814	Cabinet-C	9362733007	9362733007	9362733007	
815-1	Terminal-3P	9306489052	9306489052	9306489052	
834-1	Wire Cover-A	9362789004	9362789004	9362789004	
834-2	Wire Cover-B	9362788007	9362788007	9362788007	
835	Cushion Rubber (Pump)	9362777001	9362777001	9362777001	
847	Louver Supporter	9362770019	9362770019	9362770019	
858	Grille Spring	9362755009	9362755009	9362755009	
868	Holder (PCB)	9364855004	9364855004	9364855004	
875	Filter PCB Assy	9703292019	9703292019	9703292019	
876-2	Step Motor	9360307019	9360307019	9360307019	
897	Coupling Pipe-A Assy	9363153002	9363153002	9363153002	
898	Coupling Pipe-B Assy	9363155006	9363155006	9363155006	
982-1	Cord Clamp	9356857009	9356857009	9356857009	

When you order parts, please make a photocopy of this page and fill the number of the parts in the "Order" column.

OUTDOOR UNIT

Ref. No.	Description	Part No.			Ord. Q'ty
		RO-36CA	RO-45A	RO-54A	
2	Fan Cover	9352159015	9352159015	9352159015	
4	Emblem-Rear "FUJI ELECTRIC"	9361328006	9361328006	9361328006	
5	Cabinet-A, Painted	9352146015	9352146015	9352146015	
6	Cabinet-C, Painted	9352149016	9352149016	9352149016	
9	Cabinet-B, Painted	9352147012	9352147012	9352147012	
12	Base Assy, Painted	9352136016	9352136016	9352136016	
15	Dryer	9368113032	9353789006	9353789006	
16	Condenser Assy	9352128011	—	—	
16-1	Condenser-A Assy	—	9369544002	9369544002	
16-2	Condenser-B Assy	—	9369545009	9369545009	
18	Suction Pipe	9368087005	9353200006	9358823002	
19	Capillary Tube	9352439001	—	—	
19-1	Capillary Tube	—	9353644008	9363760002	
20	Discharge Pipe	9368089009	9353620002	—	
20	Discharge Pipe Assy	—	—	9358833001	
21	Discharge Pipe-B	9353209009	9353209009	9358963005	
26	Compressor Cover-A	9368090012	9353367006	9358830000	
29	Separate Wall Assy	9358705018	9355277013	9358705018	
30	Blower Cover, Painted	9352151019	9352151019	9352151019	
32	Control Box Metal	9352134012	9352134012	9352134012	
34	Capacitor (Fan Motor)	9357965024	9357965024	9357965024	
36	Cord Holder Metal	9356934007	9356934007	9356934007	
39	Propeller Fan Assy	9300855013	9300855013	9300855013	
41	Fan Motor Assy-Out	9600832028	9600832028	9600832028	
45	Bracket (Motor) Assy	9352141003	9352141003	9352141003	
46	Compressor Assy	9368020002	9353157003	9358822005	
48	Bracket (Coupler) Assy	9355281010	9355281010	9355281010	
54	Condensing Pipe-A	9352296000	—	—	
55	Special Nut M8	313252257701	313252257701	313252257701	
107	Rubber Seat-A	9368293017	9351875039	9363051001	
108	Sleeve-A	9351875046	9351875046	9363052008	
109	Terminal Cover	9351875053	9351875053	9352456022	
111	Terminal Packing	9351875060	9351875060	9352456039	
178-2	Capillary Holder Rubber	313394274808	313394274808	313394274808	
185	Rubber Bushing	313005066051	313005066051	313005066051	
259	Muffler	9368082000	—	—	
320-1	Wire Clamp Metal	313483219905	313483219905	313483219905	
333	Accumulator	—	9350363018	9350363018	
333-2	Accumulator (B)	9301942019	—	—	
333-2	Accumulator Assy (B)	—	9362425001	9362425001	
334	Suction Pipe-B	9352557002	9352287008	9352287008	
361	Accumulator Support	9355351003	—	—	
373	Grip	9352157004	9352157004	9352157004	
401	Terminal-2P	9701971015	9701971015	9701971015	
405	Clamp No. 1763	313816345304	313816345304	313816345304	
407	Clamp (Cable) No. 1259	313739340109	313739340109	313739340109	
527	Protection Net	9352163012	9352163012	9352163012	
549	Thermostat-Outdoor	9352426001	9352426001	9352426001	
620	Inlet Pipe (Cond.) Assy	9355316019	9353183002	9353183002	
646	Compressor Cover-B	313986355101	9353368003	9353368003	
734	Cabinet Top Plate	9352161018	9352161018	9352161018	
735	Distributor Assy	—	9353187000	9353187000	
788	Thermostat-Overheat	9354061002	9354061002	9354061002	
790	Belt Heater	9361140103	9361140028	9358834008	
791	Magnetic Relay	9363277005	9363277005	9352552007	
803	Cabinet-D, Painted	9352150012	9352150012	9352150012	
805	Blower Cover Corner	9352160011	9352160011	9352160011	
806	Cond. Pass Pipe-A	9352294006	—	—	
807	Cond. Pass Pipe-B Assy	9353090010	—	—	
808	Inlet Pipe (Accum.) Assy	9352556005	9352285004	9352285004	

When you order parts, please make a photocopy of this page and fill the number of the parts in the "Order" column.

OUTDOOR UNIT (Continued)

Ref. No.	Description	Part No.			Ord.
		RO-36CA	RO-45A	RO-54A	Q'ty
809	Ball Valve-A	9357976006	9357976006	9357976006	
810	Ball Valve-B	9357982007	9357982007	9357982007	
813	Cabinet Hook	9352148002	9352148002	9352148002	
815-2	Terminal-8P	9363276022	9363276022	9363276022	
816	Wire Clamp Metal	313584219902	313584219902	313584219902	
817	Thermostat Fixture	9352164019	9352164019	9352164019	
818	Accumulator Support-B	9355350006	—	—	
819	Joint Pipe (Valve-A)	9352298004	9353621009	9353621009	
820	Joint Pipe (Capillary)	9352299001	—	—	
821	Joint Pipe (Valve-B)	9352284007	9352284007	9352284007	
822	Fan Cover Fixture-A	9352158018	9352158018	9352158018	
823-2	Fuse Holder	0500063024	0500063024	0500063024	
824-4	Fuse	0600222529	0600222529	0600222529	
826	Condensing Pipe-B	9352297007	9353215000	9353215000	
863	Joint Pipe (Capillary)-B	—	9353206008	9353206008	
880-1	Network (C-R)	9700987017	9700987017	9700987017	

[INDOOR UNIT]

When you order parts, please make a photocopy of this page and fill the number of the parts in the "Order" column.

CONTROLLER PCB ASSEMBLY (Ref. No.236)

Ref. No.	Description	Part No.	Ord. Q'ty	Ref. No.	Description	Part No.	Ord. Q'ty
IC1	IC uPD78014HCW-034	9704029010		JM9	Res. 0 ohm	0200230016	
IC2	IC NJM7812FA	0100462104		C5	Cap. Elec. 450V 100uF	0300256060	
IC3	IC NJM7805FA	0100462081		C6	Cap. Plastic 4700pF	0300269091	
IC4-6	Xstr Array uPA2003GRE2	0100028041		C7	Cap. Plastic 50V 0.047uF	0300169339	
IC7	IC BR93LC46RF-E2	0100295016		C8	Cap. Elec. 25V 100uF	0301197560	
IC8	IC PST600CMTR	0101461120		C9	Cap. Elec. 25V 1000uF	0301196495	
IC9	IC Photocoupler TLP621 (D4)-GB	0000117074		C10,11,33,36,41	Cap. Elec. 25V 10uF	0301192312	
Q1	Xstr 2SC4236	0000164047		C12	Cap. Elec. 25V 1000uF	0301158264	
Q2	Xstr 2SC1815	0000002011		C13,15,34,37,39,44,45	Cap. Ceramic 50V 0.1uF	0300311752	
Q3,4	Xstr DTC124EKA	0000936033		C14	Cap. Elec. 25V 100uF	0301192350	
D1	Diode D3SB60	0000689045		C32,35,43,50-53	Cap. Ceramic 50V 1000pF	0300308509	
D2,4,7	Diode D1FL20U	0000746519		C16-31,38,40,42,46,49,CJ2	Cap. Ceramic 50V 0.01uF	0300311738	
D3	Diode MTZJ5.1B	0000852166		C54	Cap. Ceramic 250V 0.01uF	0300209127	
D5	Diode 1SR139-600	0000353120		SSR1	Relay G3M-202PL-UTU	9701653010	
D6	Diode D2FL20U	0000906500		K4	Relay JQ1-12V	9701316014	
D8	Diode D1F60	0000208024		BZ1	Buzzer PKM13EPY-4000-TF01	9701298013	
D9	Diode DA226U	0000625036		SW1,4	Slide Switch DSS803	9701392018	
D12	Diode DAN202K	0000684019		SW2	Rotary Switch DRS4016-5	9701694013	
R1	Res. Cement 5W 3.3ohm+-10%	0200153148		CR1	CR Absorber RPEL-121204-C	9701125012	
R2	Res. Metal Oxide 2W 1.5ohm+-5%	0201107119		T1	Switching Transformer ETS28AS118AH	9702727017	
R3	Res. 1/10W 100ohm+-5%	0200212500		VA1	Varistor TNR12G471K	0000038010	
R4	Res. Metal Film 2W 330kohm+-5%	0200357133		JM2-5,8	Wire 0.6dia. L=10mm	9700025016	
R5	Res. Metal Oxide 2W 62kohm+-5%	0201107997		X1	Ceramic Resonator EF0EC8384T4	9701261017	
R6	Res. 1/2W 100ohm+-5%	0200731506		CN1	Plug, PCB 5-1123724-2	0501321574	
R7	Res. 1/4W 330ohm+-5%	0200708621		CN3	Plug, PCB 53406-9910	0500951048	
R8,10,13,15-17,21-24,29-32,37,39,48,50,52,53,55,59,68,70	Res. 1/10W 10kohm+-5%	0200213019		CN4	Plug, PCB 2-1123724-2	0501321529	
R9,47	Res. 1/10W 390ohm+-5%	0200212647		CN5	Plug, PCB 1-1123724-3	0501321451	
R11	Res. Metal Oxide 1W 56kohm+-5%	0201106662		CN6	Plug, PCB 3-1123724-2	0501321536	
R12,18-20,25-28,33-36,38,42,44,46,49,51,57,58,67,69	Res. 1/10W 1kohm+-5%	0200212746		CN7	Plug, PCB B2B-XAKK-1-A	0501045227	
R40,41,71,72	Res. 1/10W 4.7kohm+-5%	0200212906		CN8	Plug, PCB B2B-XASK-1-A	0501045012	
R43	Res. 1/10W 10kohm+-1%	0200279497		CN9	Plug, PCB B5P-SHF-1AA	0500006069	
R45	Res. 1/10W 49.9kohm+-1%	0200279824		CN10	Plug, PCB B5B-XASK-1-A	0501045043	
R54	Res. 1/10W 47ohm+-5%	0200212425		CN12	Plug, PCB B3B-XASK-1-A	0501045029	
R56,CJ1	Res. 0 ohm	0200212012		CN13	Plug, PCB B8B-XASK-1-A	0501045074	
				CN14	Plug, PCB B4B-XH-AM	0500005314	
				CN15	Plug, PCB B3B-XARK-1-A	0501045319	

FILTER PCB ASSEMBLY (Ref. No.875)

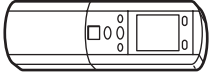




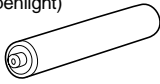
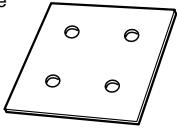


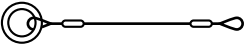
Ref. No.	Description	Part No.	Ord. Q'ty	Ref. No.	Description	Part No.	Ord. Q'ty
C101,102	Cap. Plastic 0.22uF	0300304099		F101	Fuse 2183.15	0600285210	
C105,106	Cap. Plastic 0.022uF	0301052098		FH1,2	Fuse Holder PFC5000-0502	0500158072	
VA101,102	Varistor TNR10V471K	0000361224		E101	Wire w/Terminal L=100 GRN	9702313012	
SA101	Arrestor DSA-362MA-05	0600168032		LF101	EMI Filter ELF17N015A	0400197119	
TM101,102	Plug Contact 86028	0500536016		W103,104	Wire #18 2P	9703251016	

INDICATOR PCB ASSEMBLY (Ref. No.385)

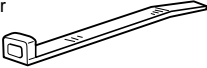


Ref. No.	Description	Part No.	Ord. Q'ty	Ref. No.	Description	Part No.	Ord. Q'ty
PHA201	Remote Control Amplifier SBX1810-22	0101525129		R201-203	Res. Carbon 1/4W 330ohm+-5%	0201038659	
D201	Diode SLR-325VC RED	0000813259		C201	Cap. Ceramic 0.1uF	0300988251	
D202	Diode SLR-325MC GRN	0000813242		C202	Cap. Elec. 25V 10uF	0300478288	
D203	Diode SLR-325DC ORG	0000813235		CN201	Plug, PCB B4P7-VH-B	0500011742	

STANDARD ACCESSORIES

INDOOR UNIT ACCESSORIES

Name and Shape	Part No.
Remote control unit 	9359913047
Coupler heat insulation 	9350716029
	9352766015
Remote control unit holder 	9359955016
Special nut A (large flange) 	313005446653
Special nut B (small flange) 	313005446759
Battery (penlight) 	0600185534
Template 	9363173000
Tapping screw (ø3 x 12) 	301141533125
Blower cover insulation 	9363265002
Hook wire 	9363168006

OUTDOOR UNIT ACCESSORIES

Name and Shape	RO-36CA	RO-45A	RO-54A
Power cap 	9352173011	9352173011	9352173011
Auxiliary pipe assembly 	9355292016	9355292016	9355292016
Edge cover 	9352436000	9352436000	9352436000
Tapping screw 	301463040100	301463040100	301463040100
Binder 	313035356905	313035356905	313035356905
Putty 	303020200114	303020200114	303020200114
Coupler heat insulation 	313005074759	313005074759	313005074759
Pipe (drain) 	—	—	—
Flexible tube 	—	—	—
Cap (drain) 	—	—	—



MANUFACTURER :

Fuji Denki Sosetsu Co., Ltd.

Tokyo, Japan