

FUJII ELECTRIC

SPLIT TYPE
AIR CONDITIONER

CASSETTE type (50Hz)

SERVICE MANUAL

| Models | Indoor unit | Outdoor unit |
|--------|-------------|--------------|
| | RC-36A | RO-36A |
| | RC-36RA | RO-36RA |
| | RC-45A | RO-45A |
| | RC-45RA | RO-45RA |
| | RC-54A | RO-54A |
| | RC-54RA | RO-54RA |

C O N T E N T S

| | |
|---|----|
| SPECIFICATIONS | 1 |
| DIMENSIONS | 2 |
| CIRCUIT DIAGRAM | 3 |
| REFRIGERANT SYSTEM DIAGRAM | 5 |
| INDOOR PRINTED CIRCUIT BOARD CIRCUIT DIAGRAM | 7 |
| OUTDOOR PRINTED CIRCUIT BOARD CIRCUIT DIAGRAM | 9 |
| INDOOR P.C. BOARD LAYOUTS | 10 |
| OUTDOOR P.C. BOARD LAYOUTS | 12 |
| DISASSEMBLY ILLUSTRATION | 13 |
| PARTS LIST | 25 |

S P E C I F I C A T I O N S

| TYPE | | COOLING | | | COOLING & HEATING | | |
|------------------|-----|-----------|-----------|-----------|-------------------|-----------|-----------|
| MODEL | IN | RC-36A | RC-45A | RC-54A | RC-36RA | RC-45RA | RC-54RA |
| | OUT | RO-36A | RO-45A | RO-54A | RO-36RA | RO-45RA | RO-54RA |
| COOLING CAPACITY | kW | 10.3-10.5 | 12.4-12.7 | 13.9-14.1 | 10.3-10.5 | 12.4-12.7 | 13.9-14.1 |
| HEATING CAPACITY | kW | ----- | ----- | ----- | 10.5-10.7 | 13.4-13.7 | 15.4-15.8 |

| | | | | | | | |
|---------------------|------|-----------|-----------|-----------|-----------|-----------|-----------|
| POWER SOURCE | V | 380 - 415 | | | | | |
| | ø/Hz | 3ø / 50 | | | | | |
| RUNNING CURRENT (A) | COOL | 6.6-6.6 | 7.5-7.5 | 8.5-8.6 | 6.6-6.6 | 7.5-7.5 | 8.5-8.6 |
| | HEAT | ----- | ----- | ----- | 5.9-5.9 | 7.5-7.5 | 8.5-8.6 |
| INPUT WATTS (kW) | COOL | 3.73-3.80 | 4.35-4.45 | 4.90-5.00 | 3.88-3.95 | 4.35-4.45 | 4.90-5.00 |
| | HEAT | ----- | ----- | ----- | 3.40-3.45 | 4.25-4.35 | 4.85-4.90 |
| E.E.R (kW/kW) | COOL | 2.76-2.76 | 2.85-2.85 | 2.84-2.82 | 2.65-2.66 | 2.85-2.85 | 2.84-2.82 |
| | HEAT | ----- | ----- | ----- | 3.09-3.10 | 3.15-3.15 | 3.18-3.22 |
| STARTING CURRENT | A | 42 | 55 | 79 | 42 | 55 | 79 |
| MOISTURE REMOVAL | ℓ/h | 5 | 6 | 6 | 5 | 6 | 6 |

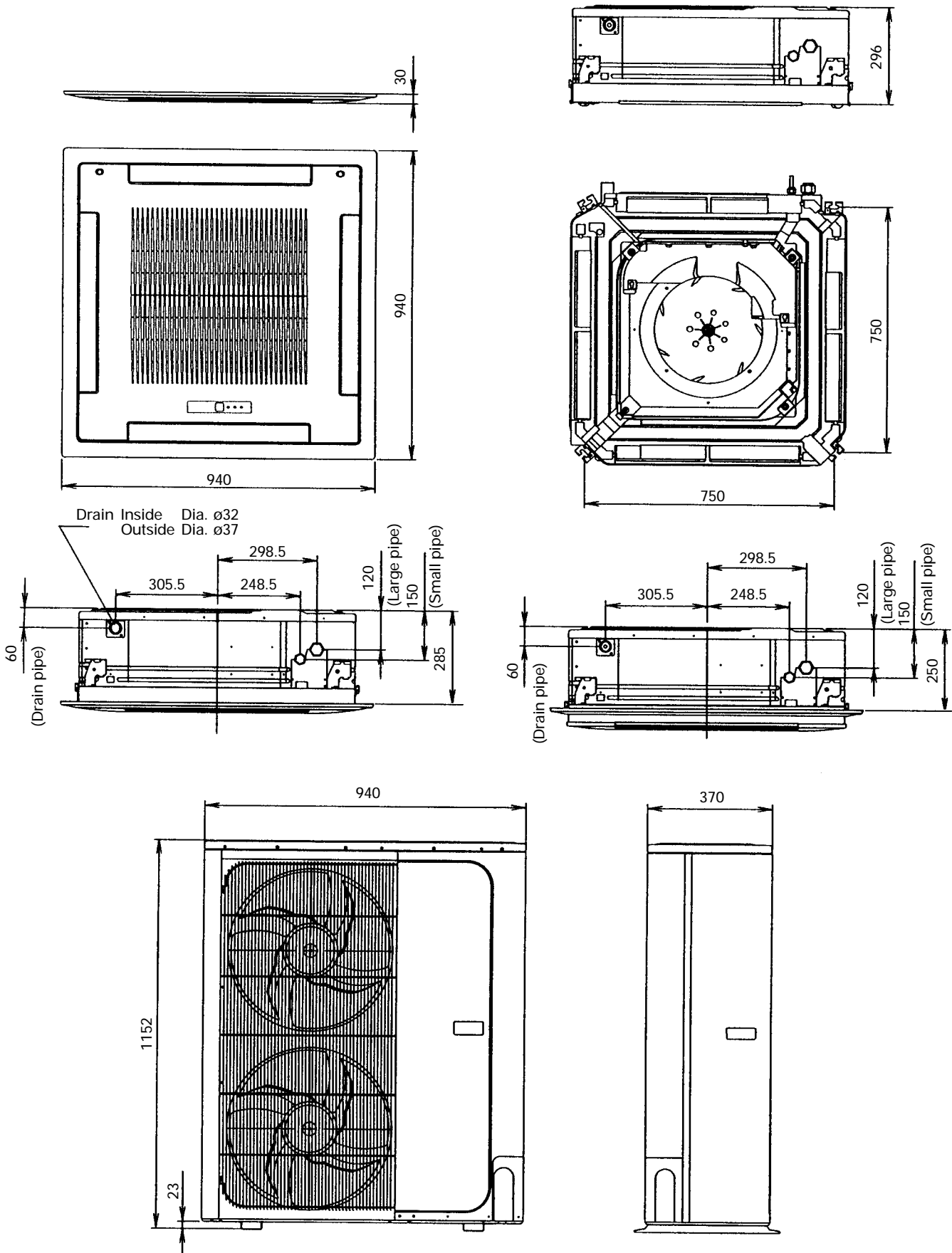
| | | | | | | | | |
|---------------------------|---------|---------|-------------------|-----------|-----------|----------|-----------|-----------|
| FAN SPEED (r.p.m.) | INDOOR | HIGH | 580 | 620 | 680 | 580 | 620 | 680 |
| | | MED | 500 | 550 | 580 | 500 | 550 | 580 |
| | | LOW | 420 | 470 | 500 | 420 | 470 | 500 |
| | OUTDOOR | | 790 | 790 | 790 | 790 | 790 | 790 |
| AIR FLOW | INDOOR | m³/h | 1,500 | 1,650 | 1,800 | 1,500 | 1,650 | 1,800 |
| | OUTDOOR | m³/h | 5,900 | 5,500 | 5,500 | 5,900 | 5,500 | 5,500 |
| DIMENSIONS H x W x D (mm) | NET | IN | 296 x 830 x 830 | | | | | |
| | | GRILLE | 35 x 940 x 940 | | | | | |
| | | OUT | 1,152 x 940 x 370 | | | | | |
| WEIGHTS [NET/GROSS] (kg) | | IN | 47 / 60 | | | | | |
| | | OUT | 94 / 108 | 102 / 116 | 112 / 126 | 96 / 110 | 108 / 122 | 120 / 134 |
| MAX PIPE LENGTH/HEIGHT | m | 50 / 30 | | | | | | |
| REMOTE CONTROLLER TYPE | | WIRED | | | | | | |

ADDITIONAL REFRIGERANT CHARGE

| PIPE LENGTH | | 10m (33ft) | 20m (66ft) | 30m (99ft) | 40m (132ft) | 50m (164ft) | Additional refrigerant g/m |
|--------------------|---------|------------------|------------|------------------|------------------|------------------|----------------------------|
| FULL CHARGE AMOUNT | RC-36A | 2,350g (82.9oz) | | 2,750g (97.0oz) | 3,150g (111.1oz) | 3,550g (125.2oz) | 40 g/m (1.41oz/3.3ft) |
| | RC-36RA | 3,000g (105.8oz) | | 3,400g (119.9oz) | 3,800g (134.0oz) | 4,200g (148.2oz) | |
| | RC-45A | 3,500g (123.5oz) | | 3,900g (137.6oz) | 4,300g (151.7oz) | 4,700g (165.8oz) | |
| | RC-45RA | 3,500g (123.5oz) | | 3,900g (137.6oz) | 4,300g (151.7oz) | 4,700g (165.8oz) | 50 g/m (1.76oz/3.3ft) |
| | RC-54A | 4,000g (141.1oz) | | 4,500g (158.7oz) | 5,000g (176.4oz) | 5,500g (194.0oz) | |
| | RC-54RA | 3,500g (123.5oz) | | 4,000g (141.1oz) | 4,500g (158.7oz) | 5,000g (176.4oz) | |

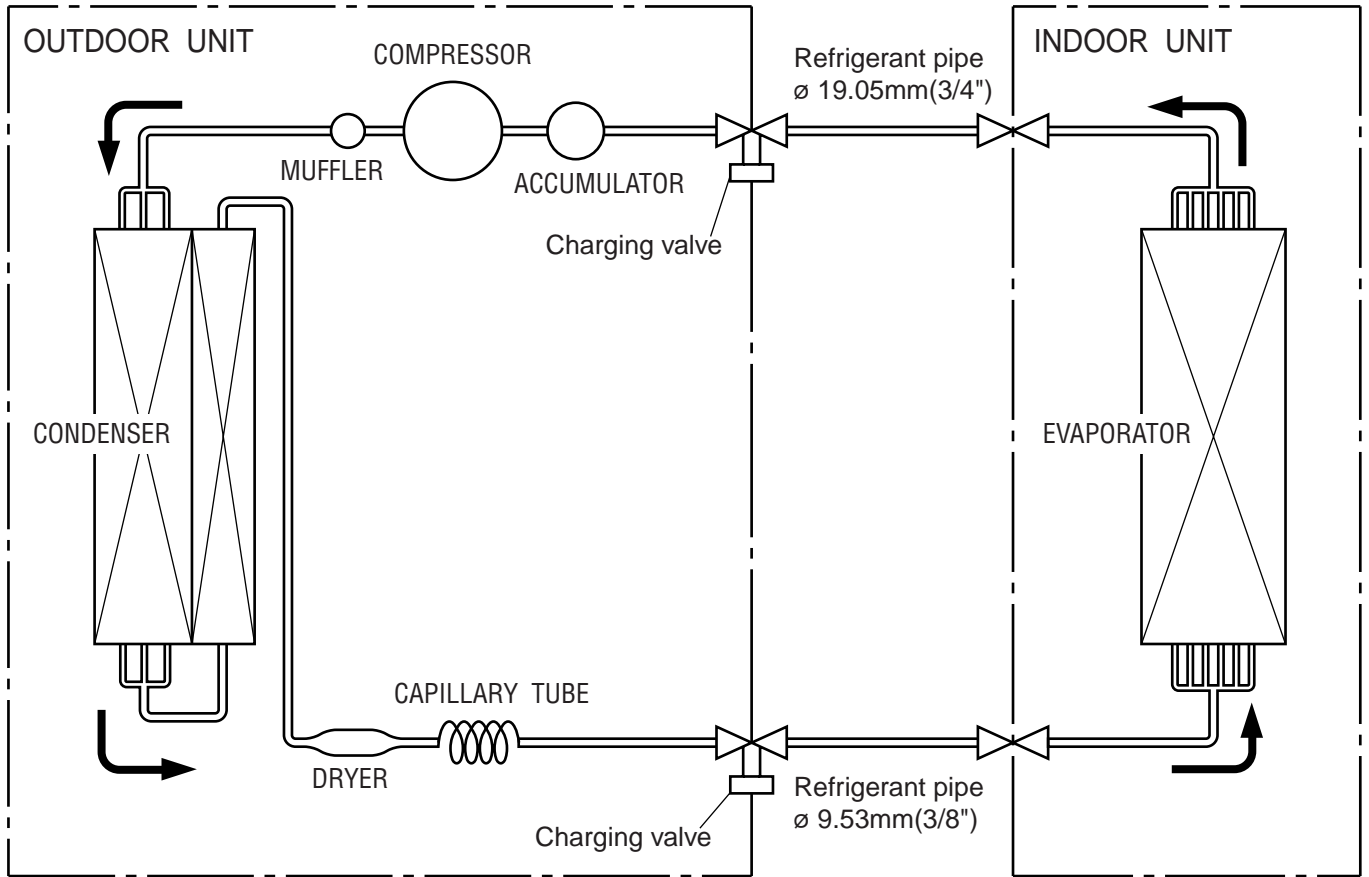
DIMENSIONS

Unit : mm

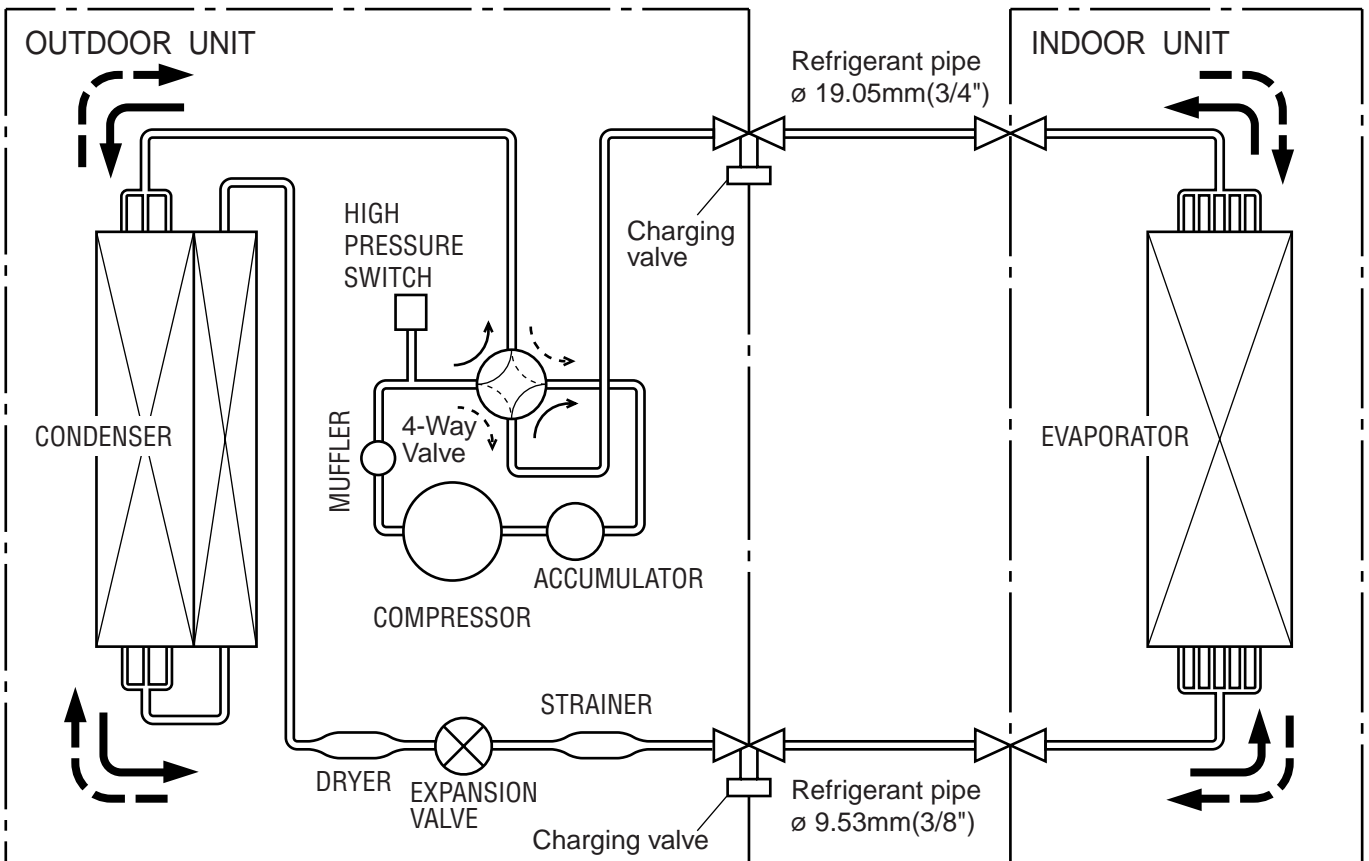


REFRIGERANT SYSTEM DIAGRAM

Models : RC-36A / RO-36A

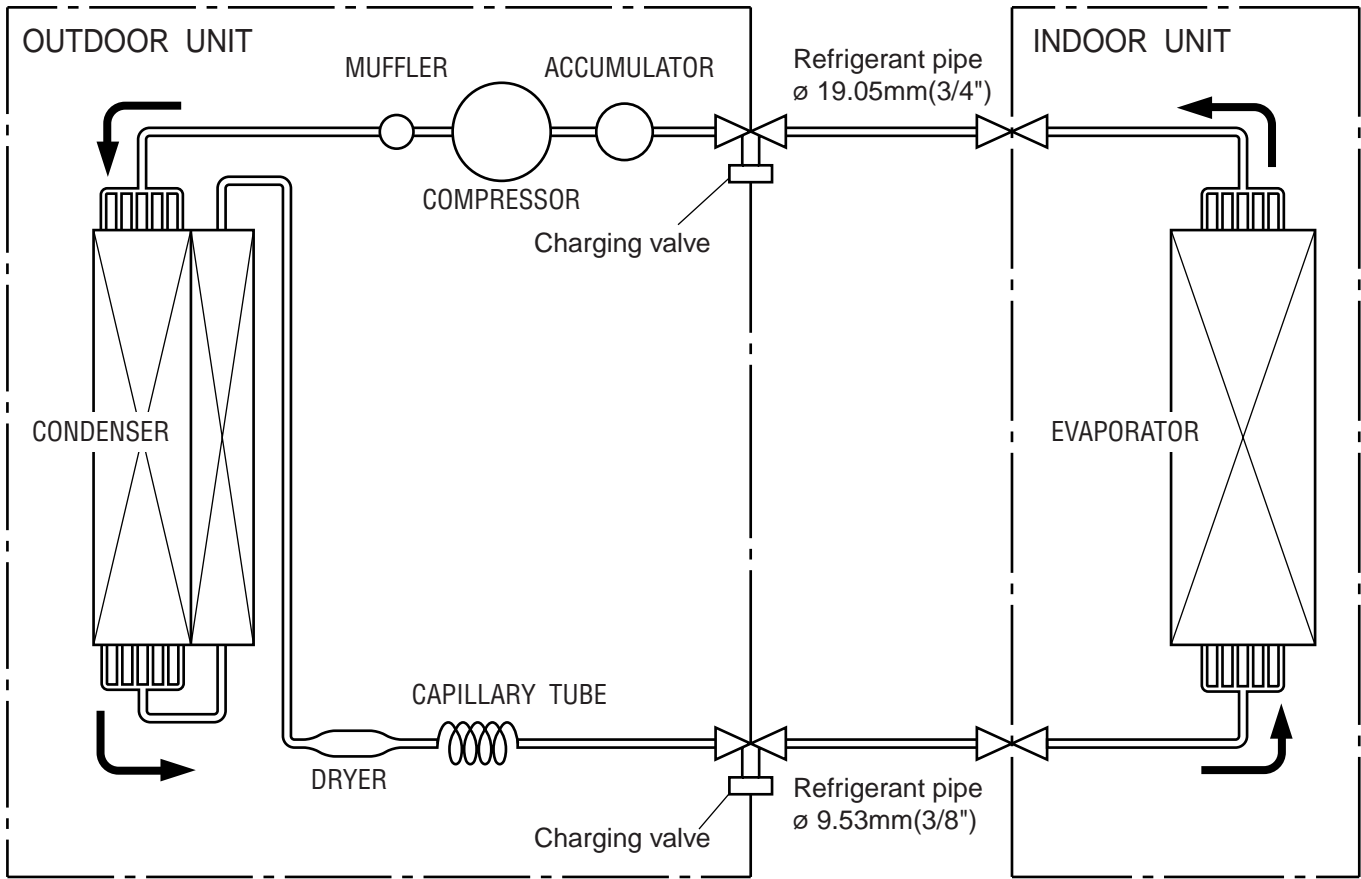


Models : RC-36RA / RO-36RA

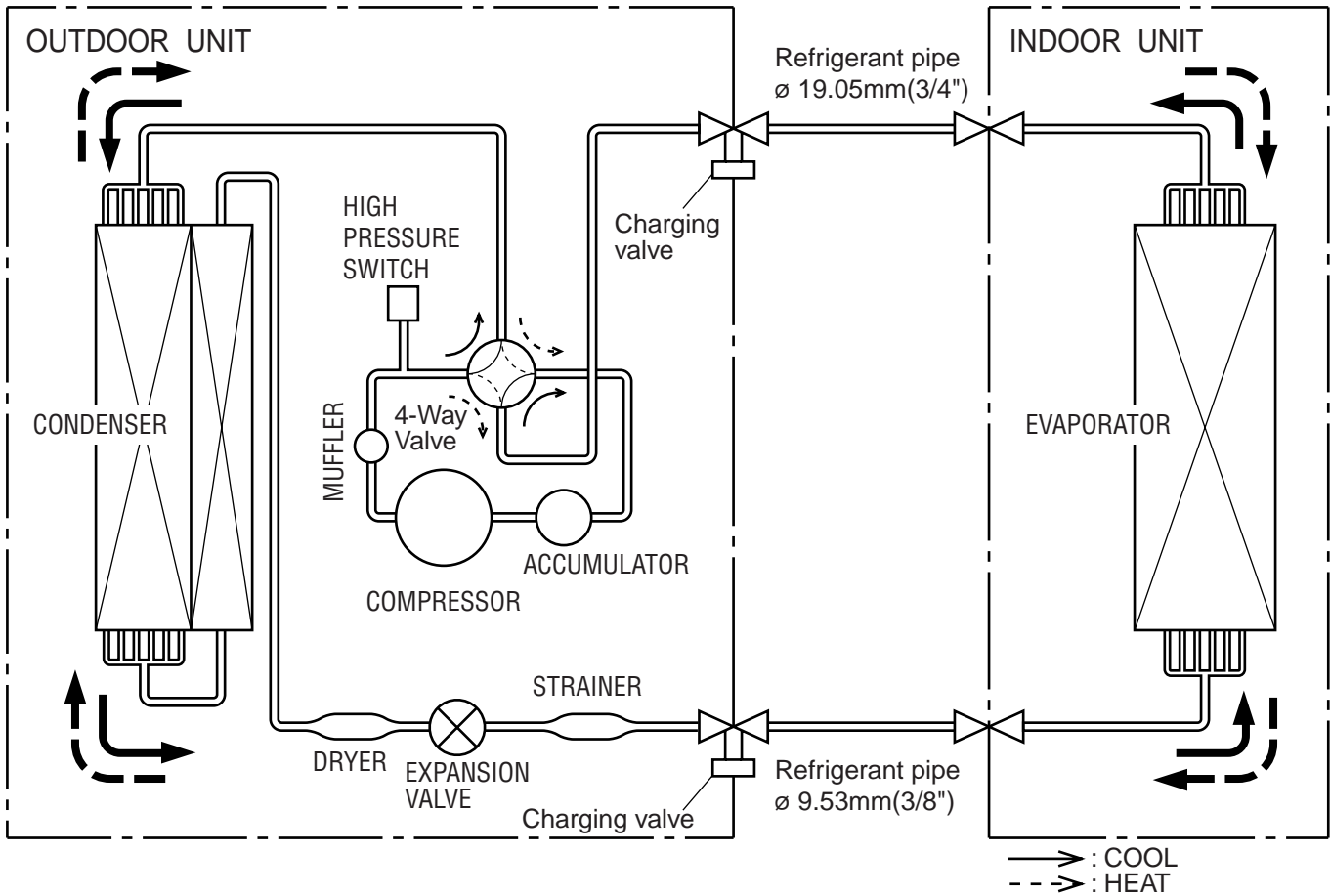


—> : COOL
 - - -> : HEAT

Models : RC-45A / RO-45A
RC-54A / RO-54A

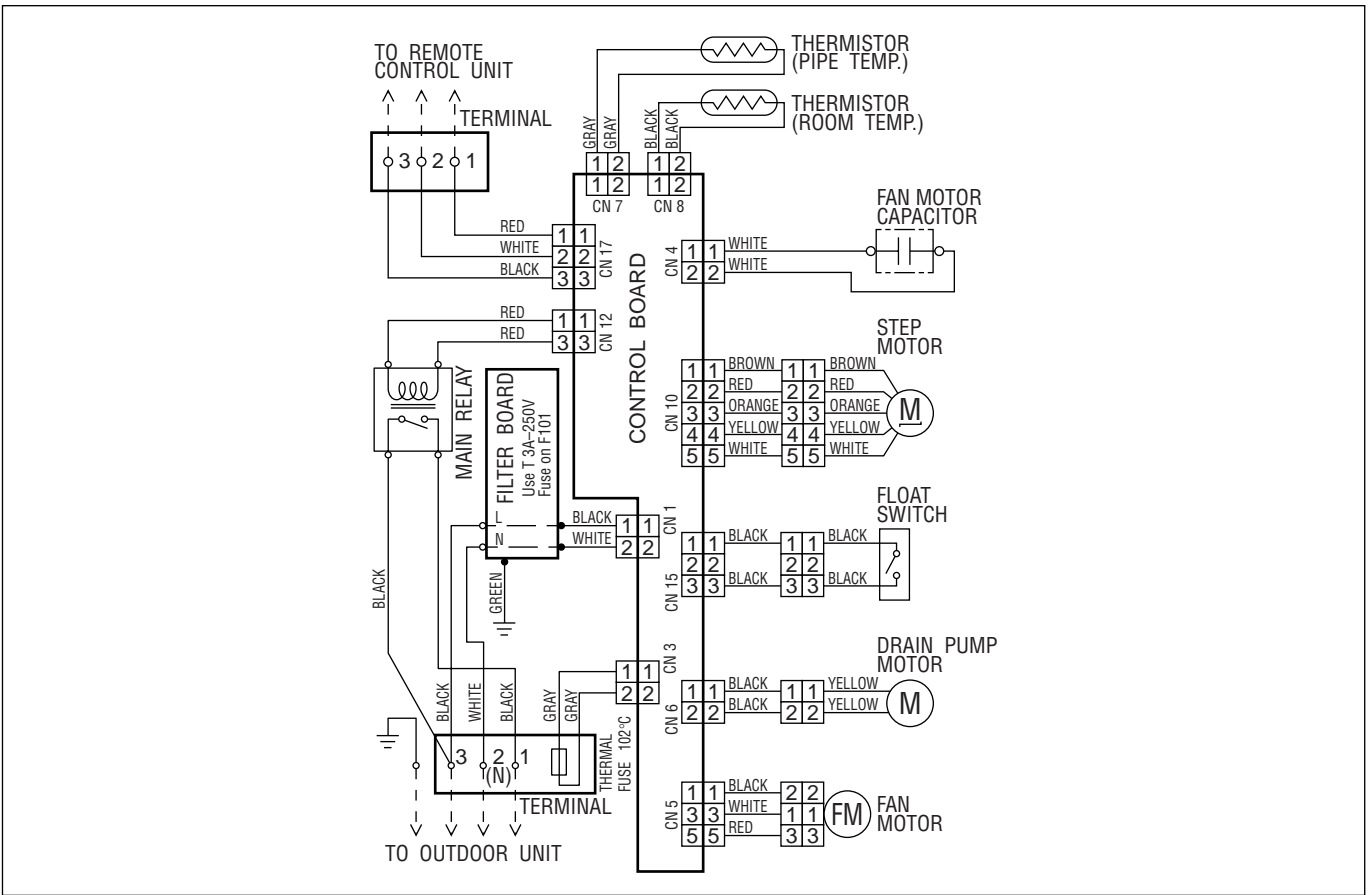


Models : RC-45RA / RO-45RA
RC-54RA / RO-54RA

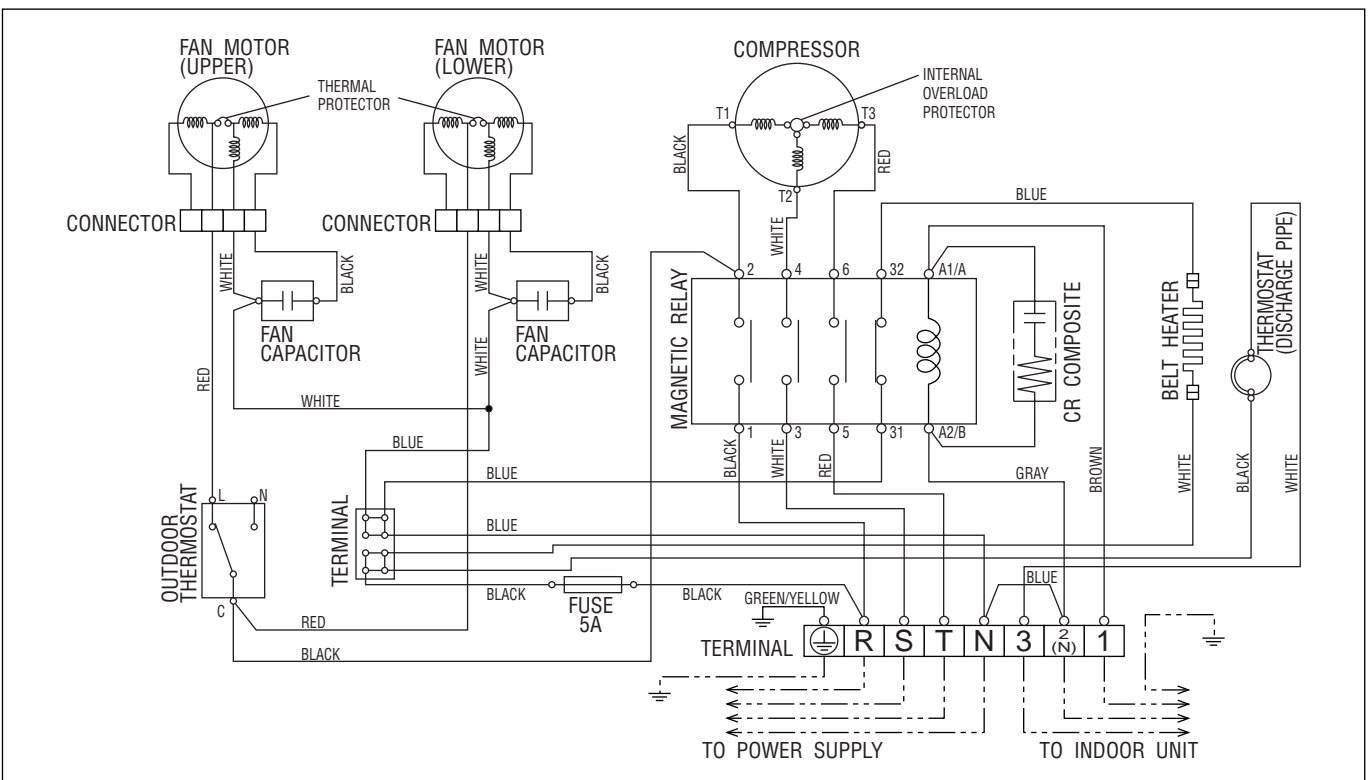


CIRCUIT DIAGRAM

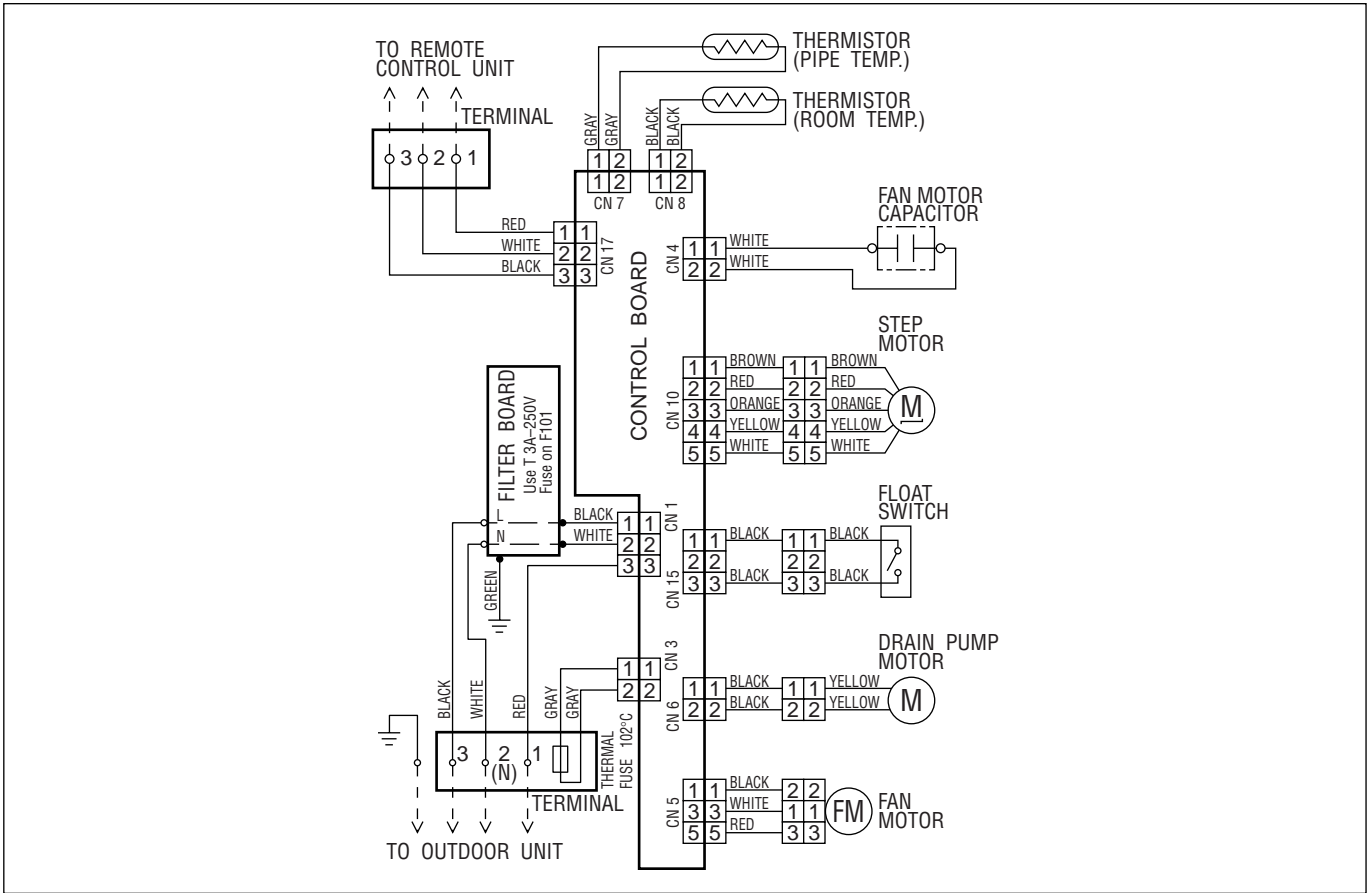
**Models : RC-36A
RC-45A
RC-54A**



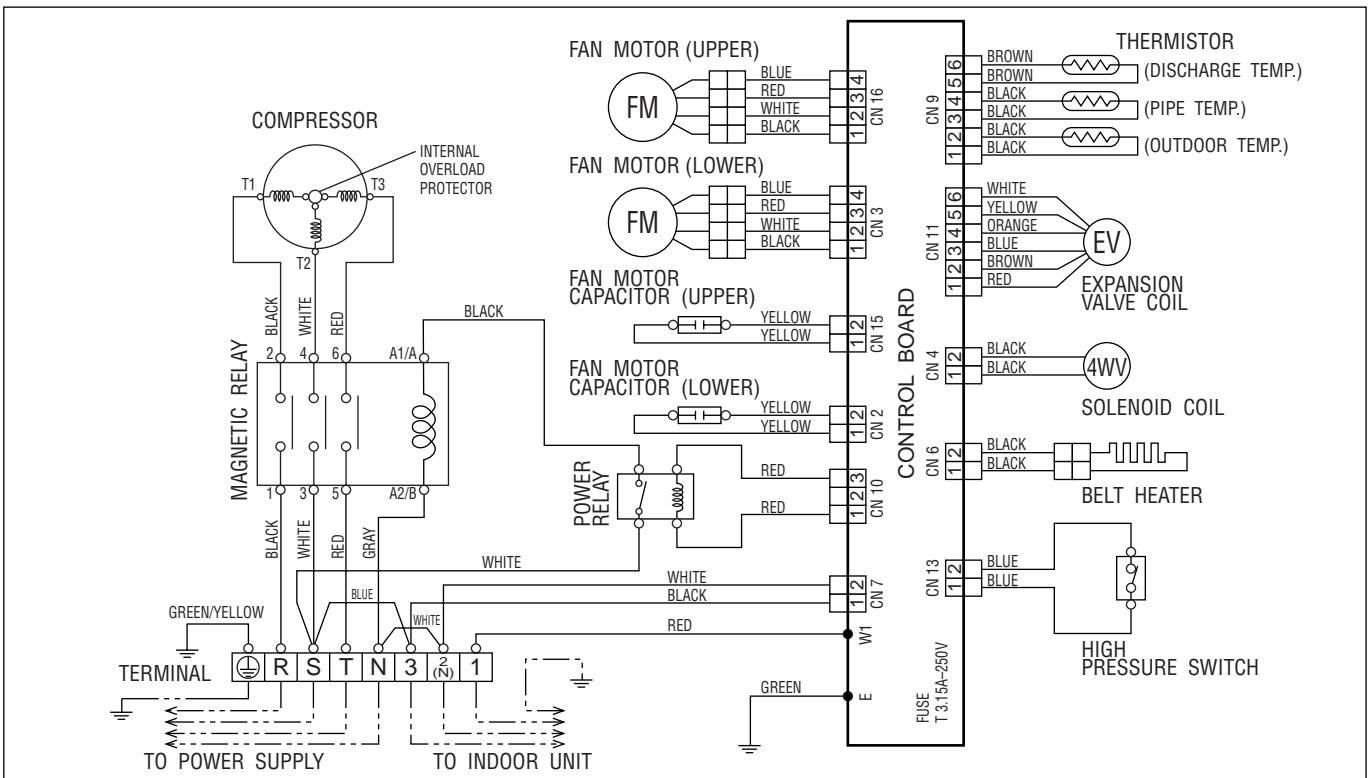
**Models : RO-36A
RO-45A
RO-54A**



**Models : RC-36RA
RC-45RA
RC-54RA**



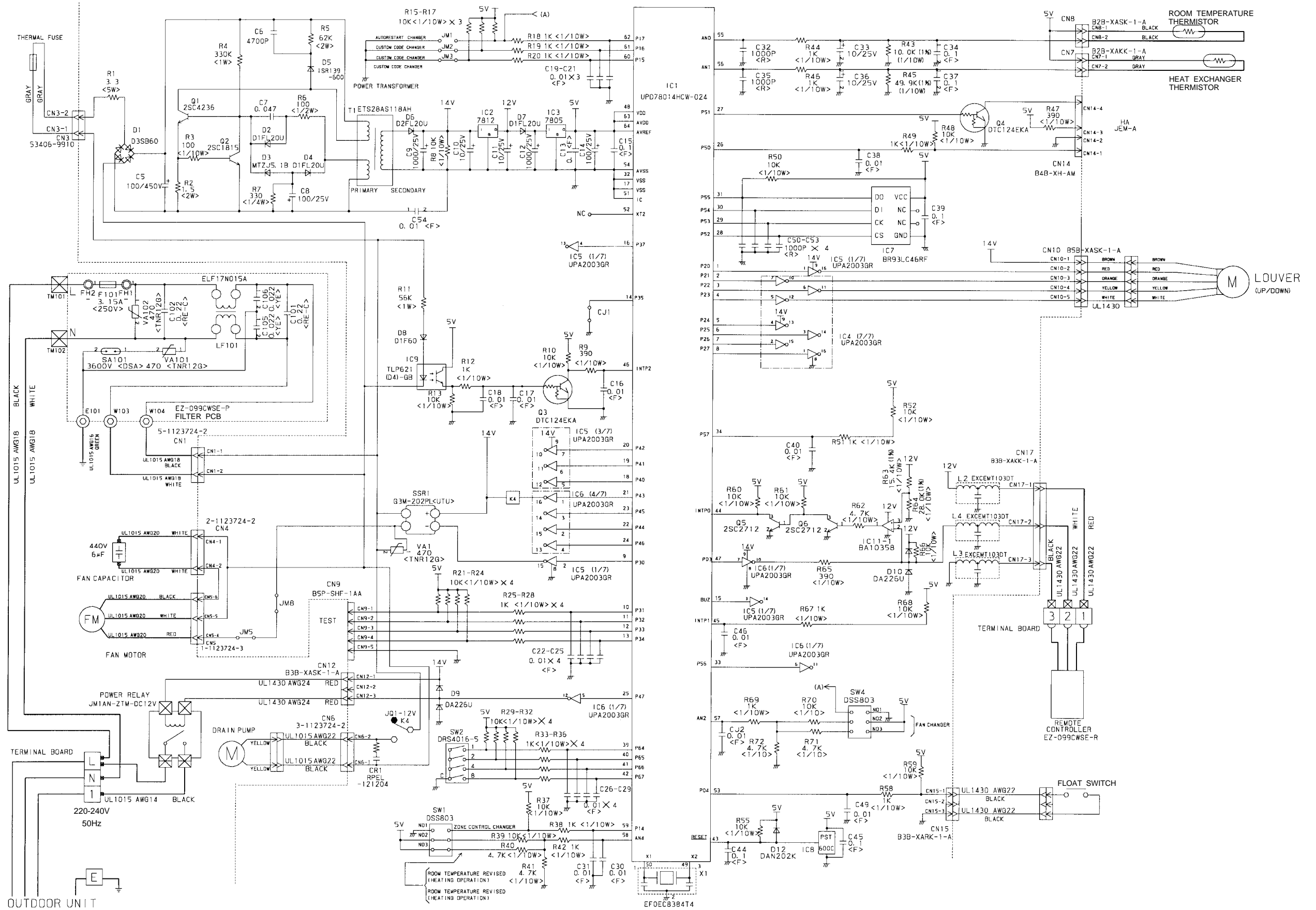
**Models : RO-36RA
RO-45RA
RO-54RA**



INDOOR PRINTED CIRCUIT BOARD CIRCUIT DIAGRAM

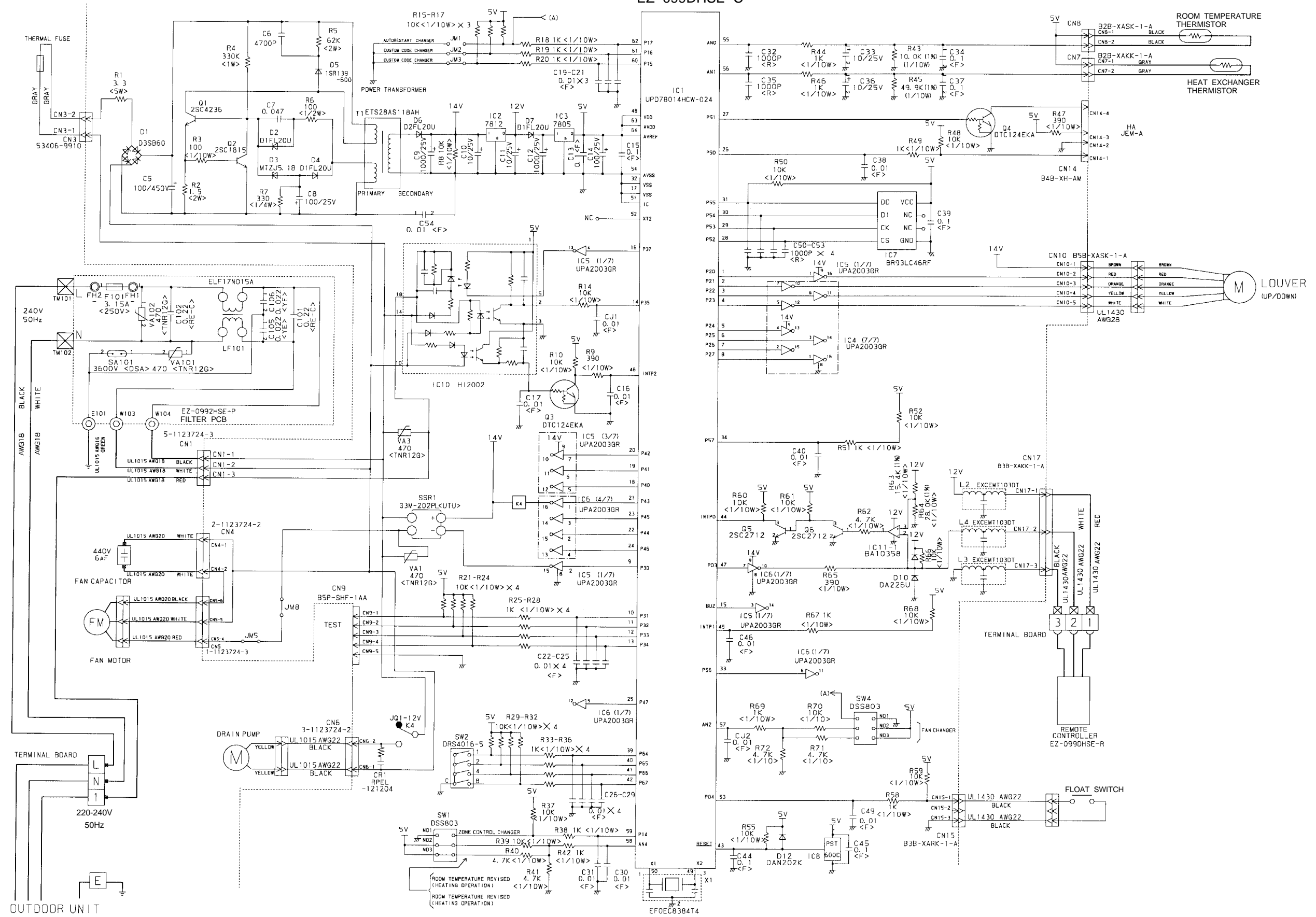
**Models : RC-36A
RC-45A
RC-54A**

**CONTROLLER PCB ASSEMBLY (MAIN PCB)
EZ-099CWSE-C**



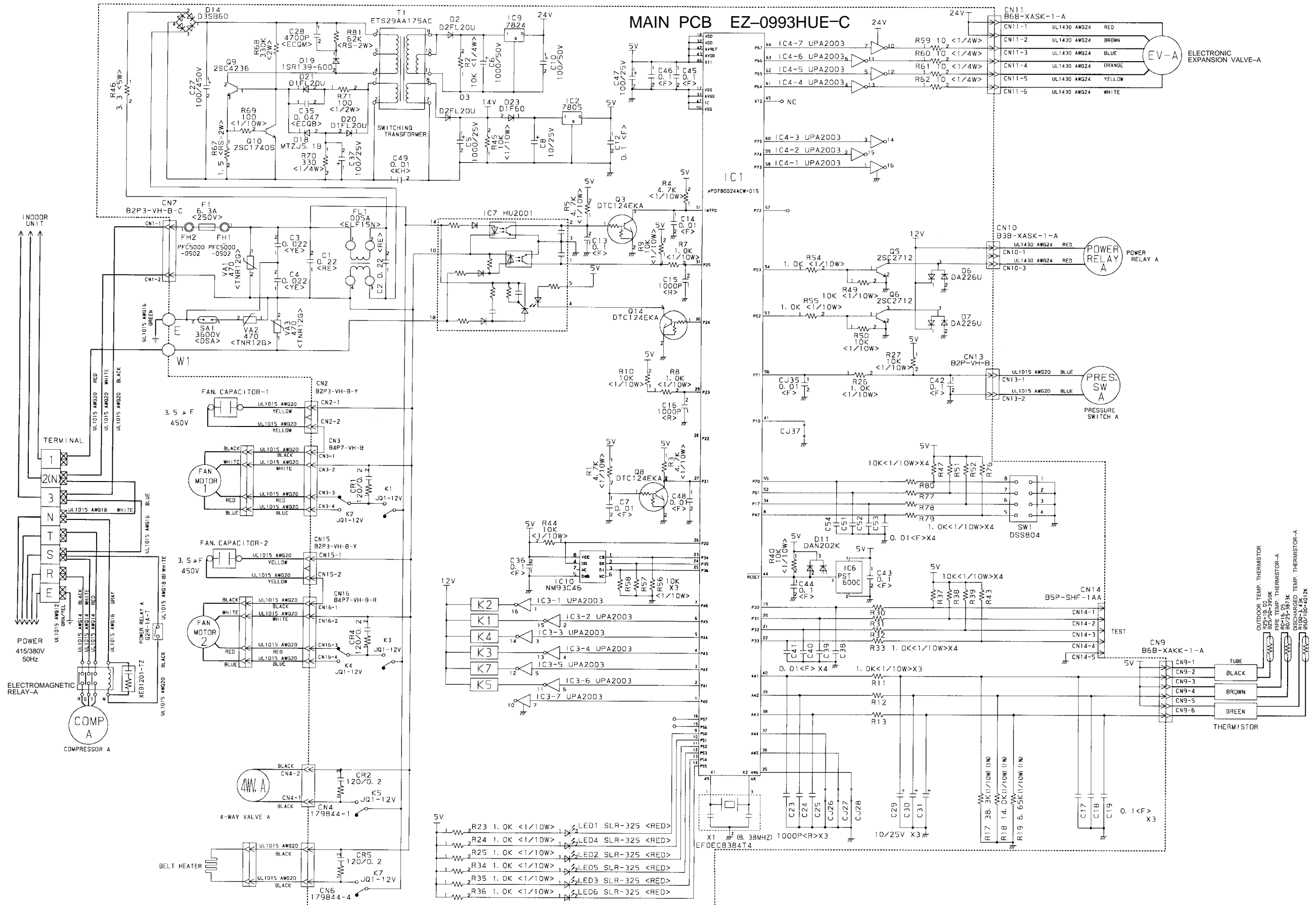
Models : RC-36RA
RC-45RA
RC-54RA

CONTROLLER PCB ASSEMBLY (MAIN PCB)
EZ-099DHSE-C



OUTDOOR PRINTED CIRCUIT BOARD CIRCUIT DIAGRAM

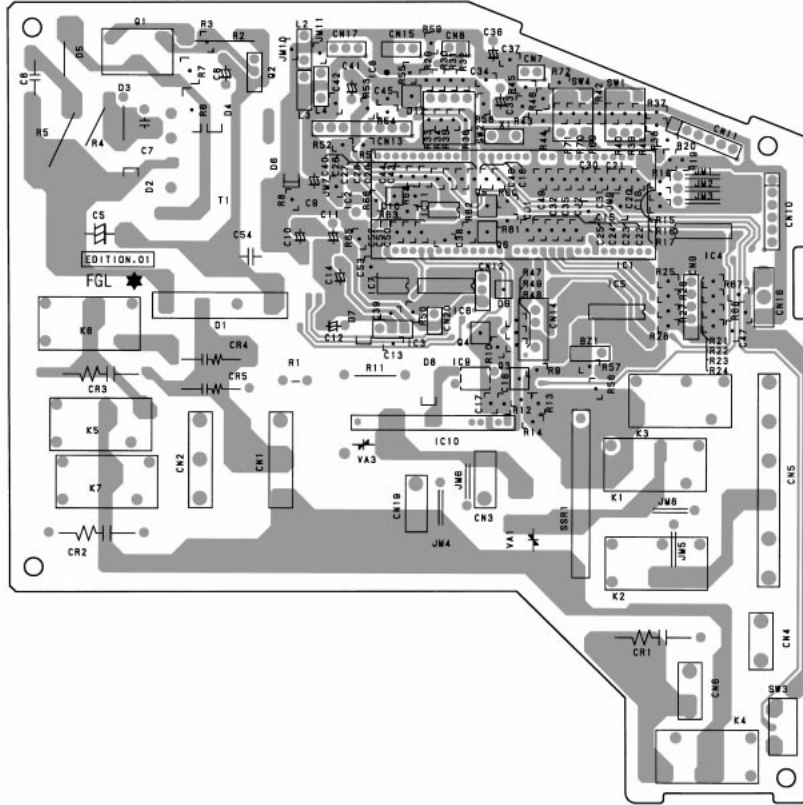
**Models : RO-36RA
RO-45RA
RO-54RA**



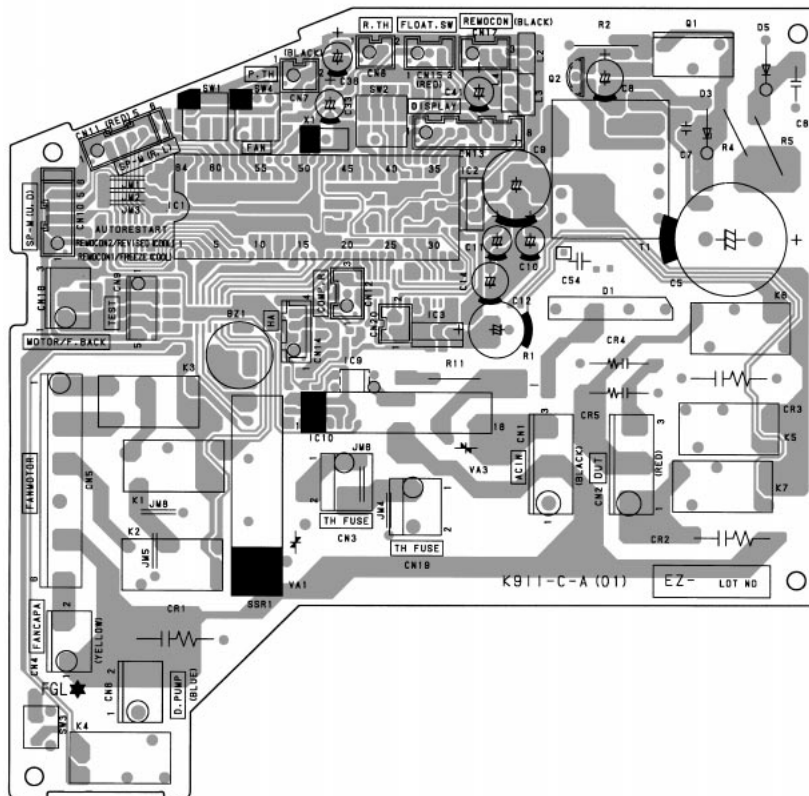
INDOOR P.C. BOARD LAYOUTS

CONTROLLER P.C. BOARD ASSEMBLY (MAIN PCB)

(Viewed from the solder side)

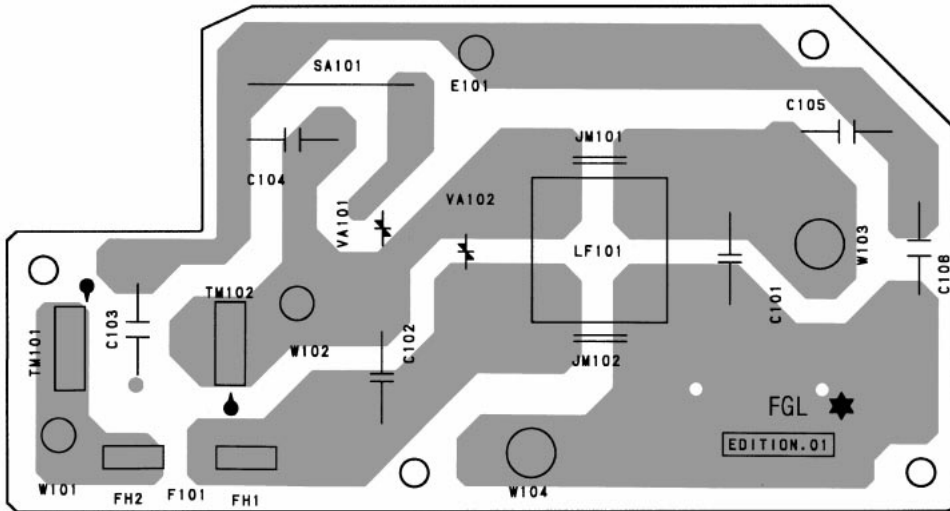


(Viewed from the component side)

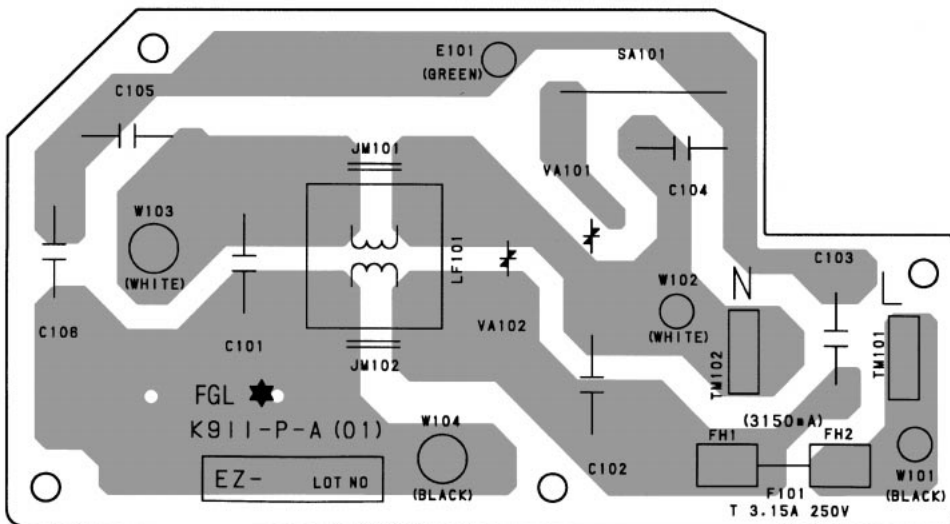


FILTER P.C. BOARD ASSEMBLY

(Viewed from the solder side)

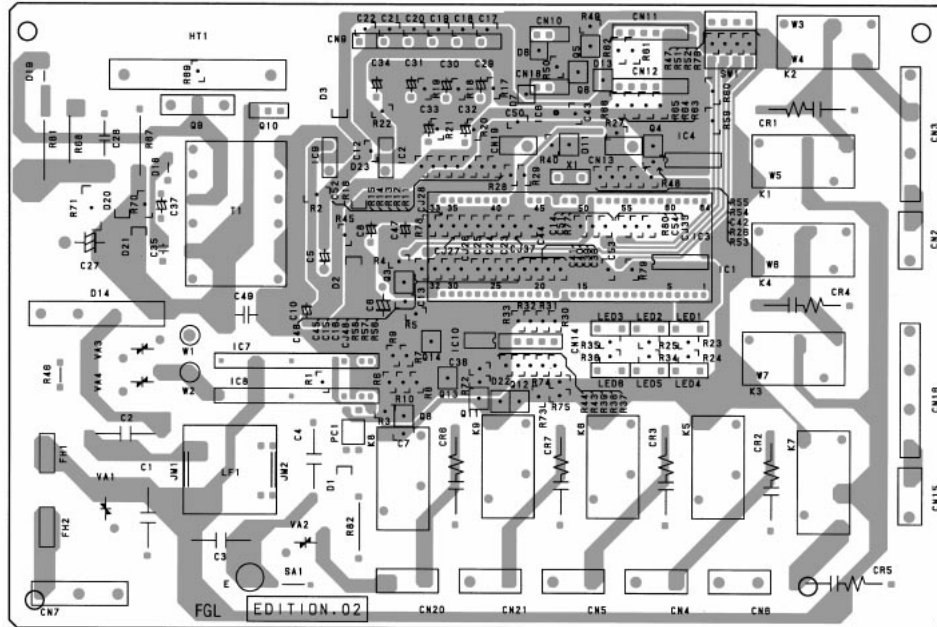


(Viewed from the component side)

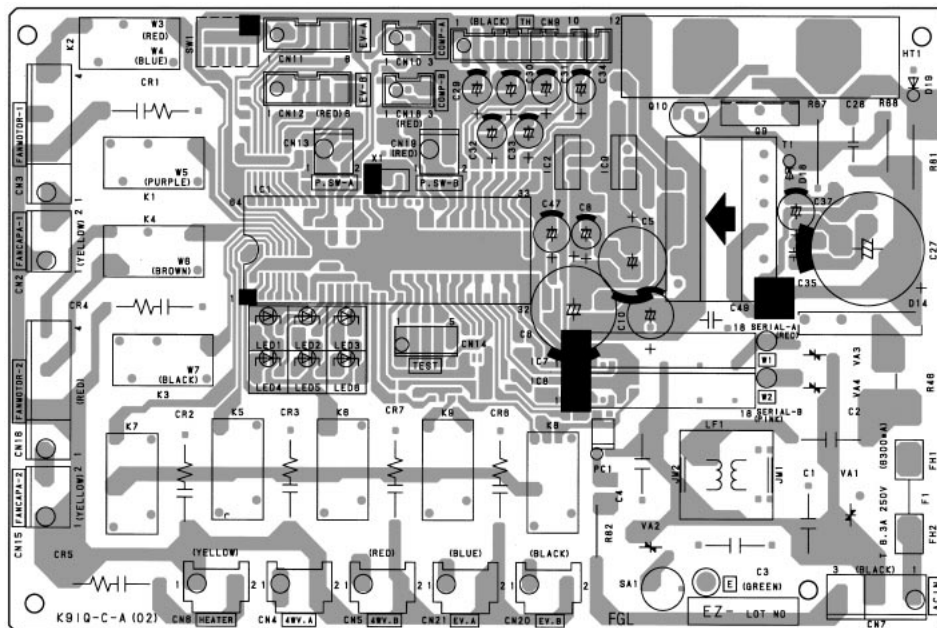


OUTDOOR P.C. BOARD LAYOUTS

(Viewed from the solder side)

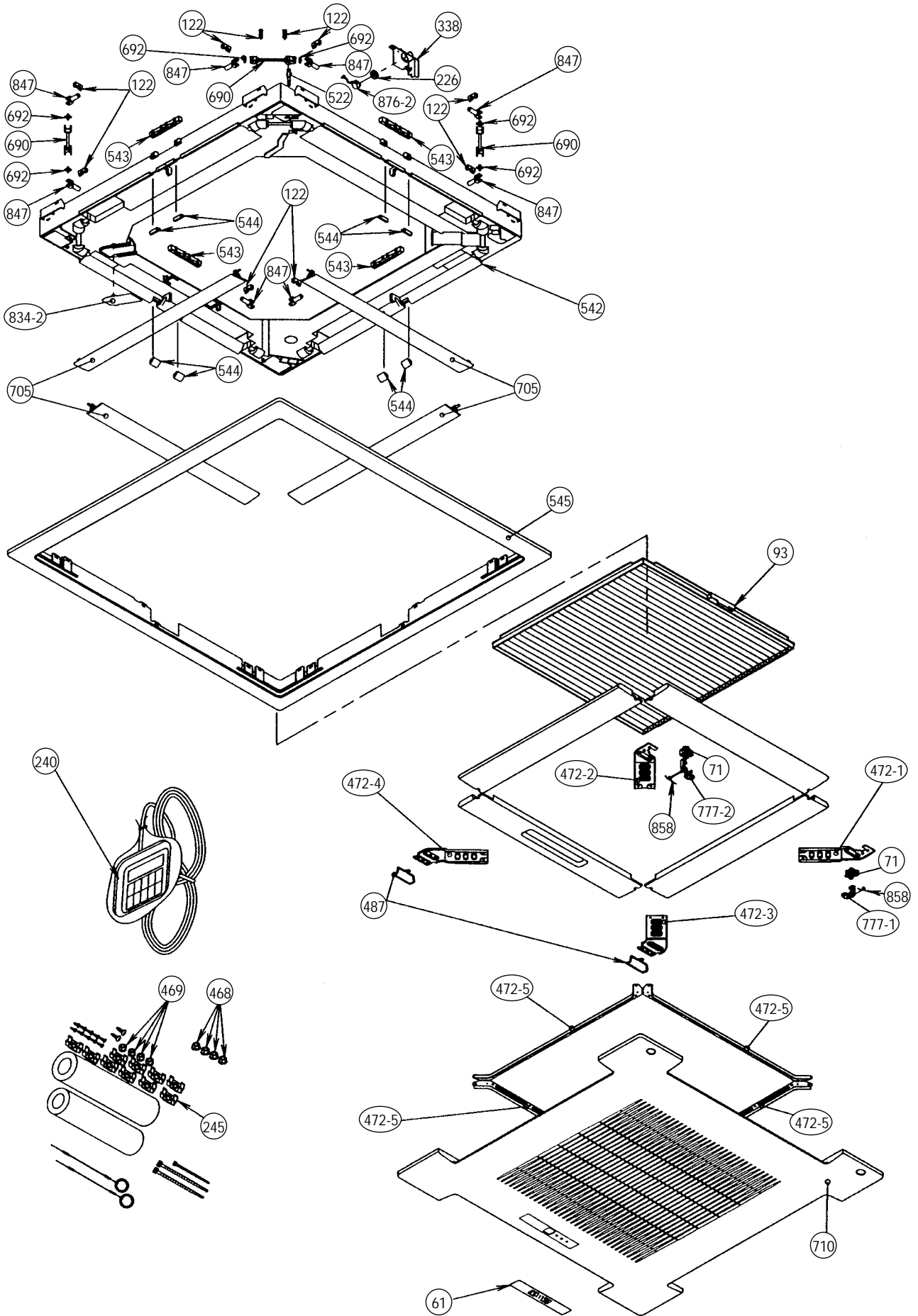


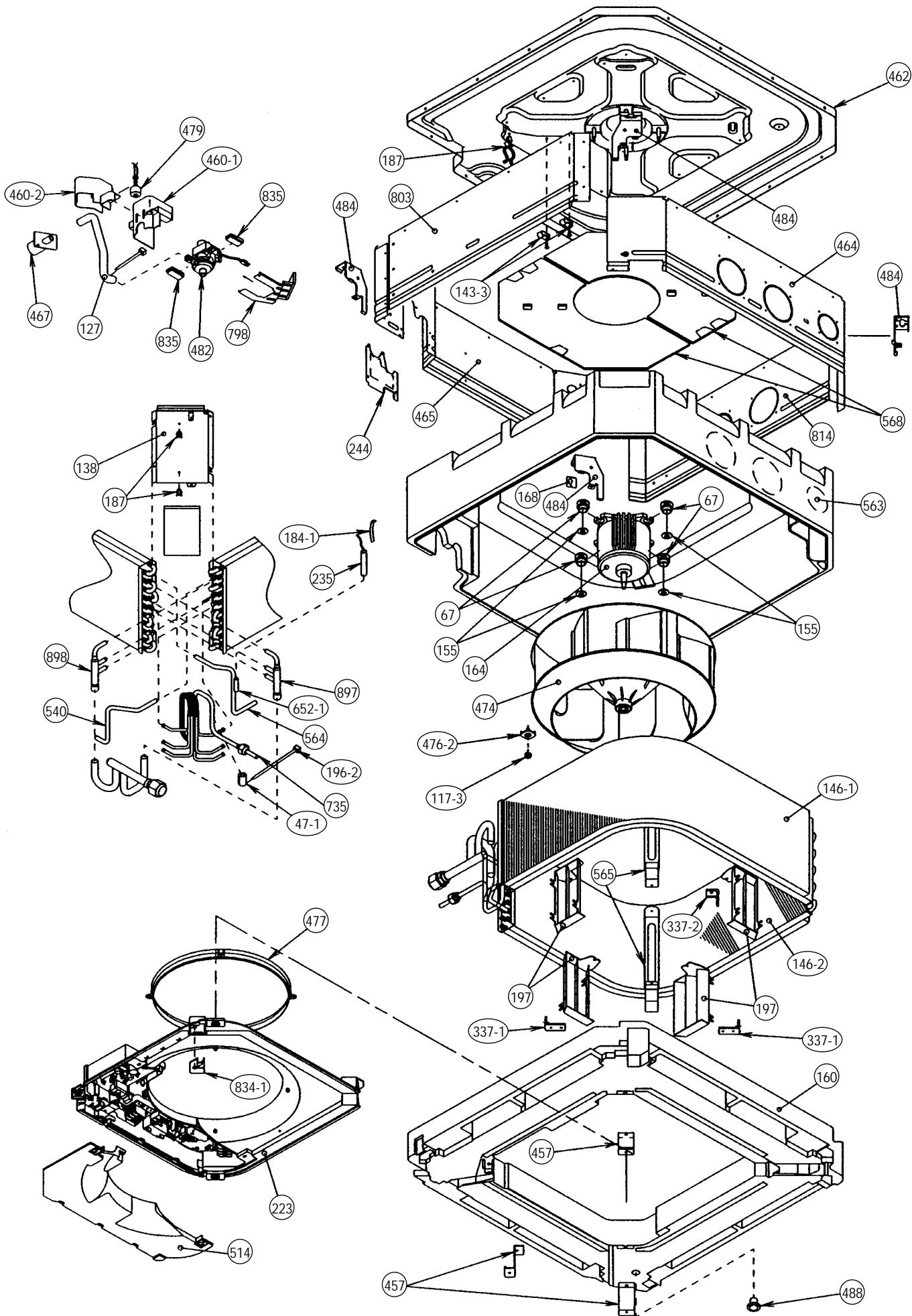
(Viewed from the component side)

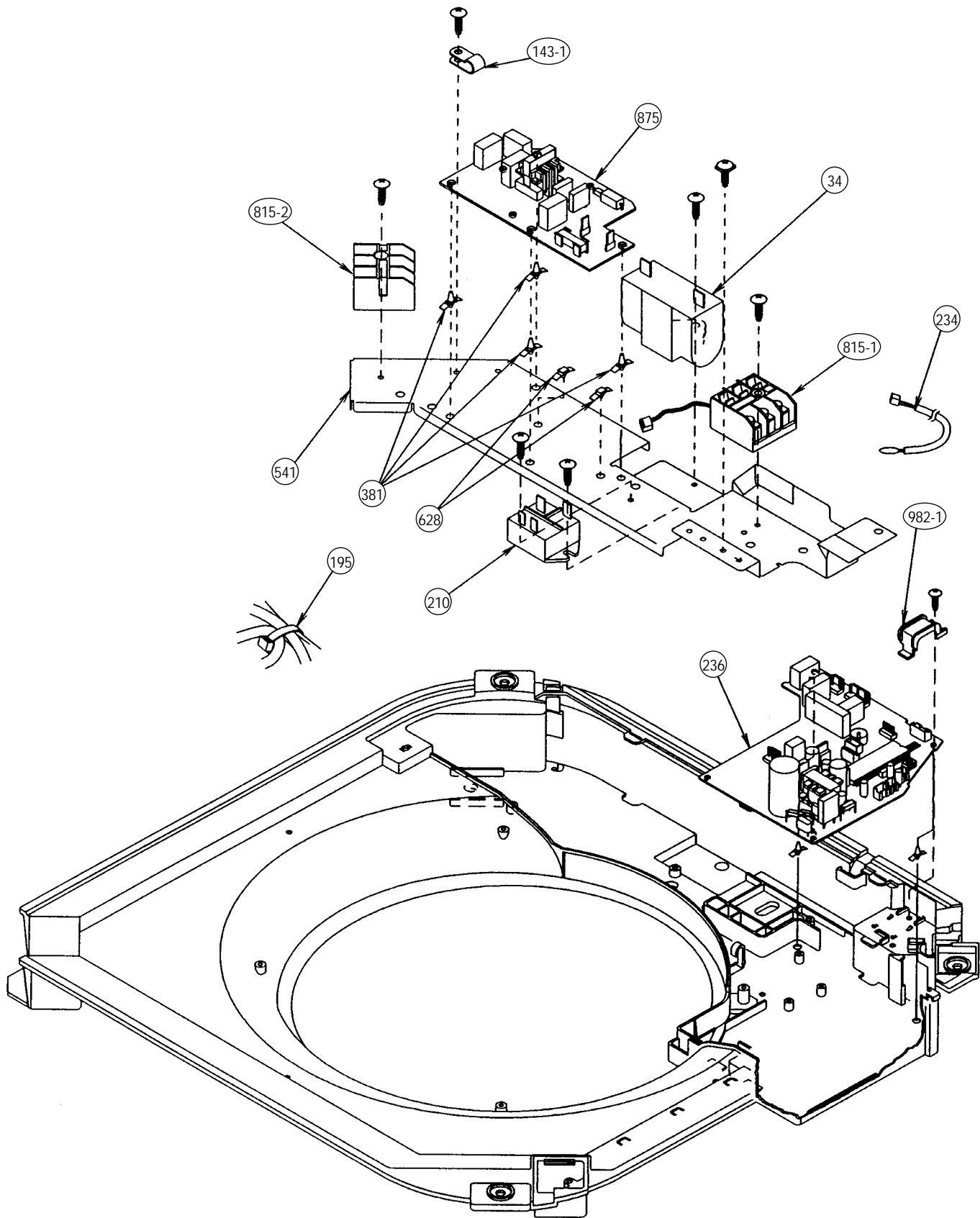


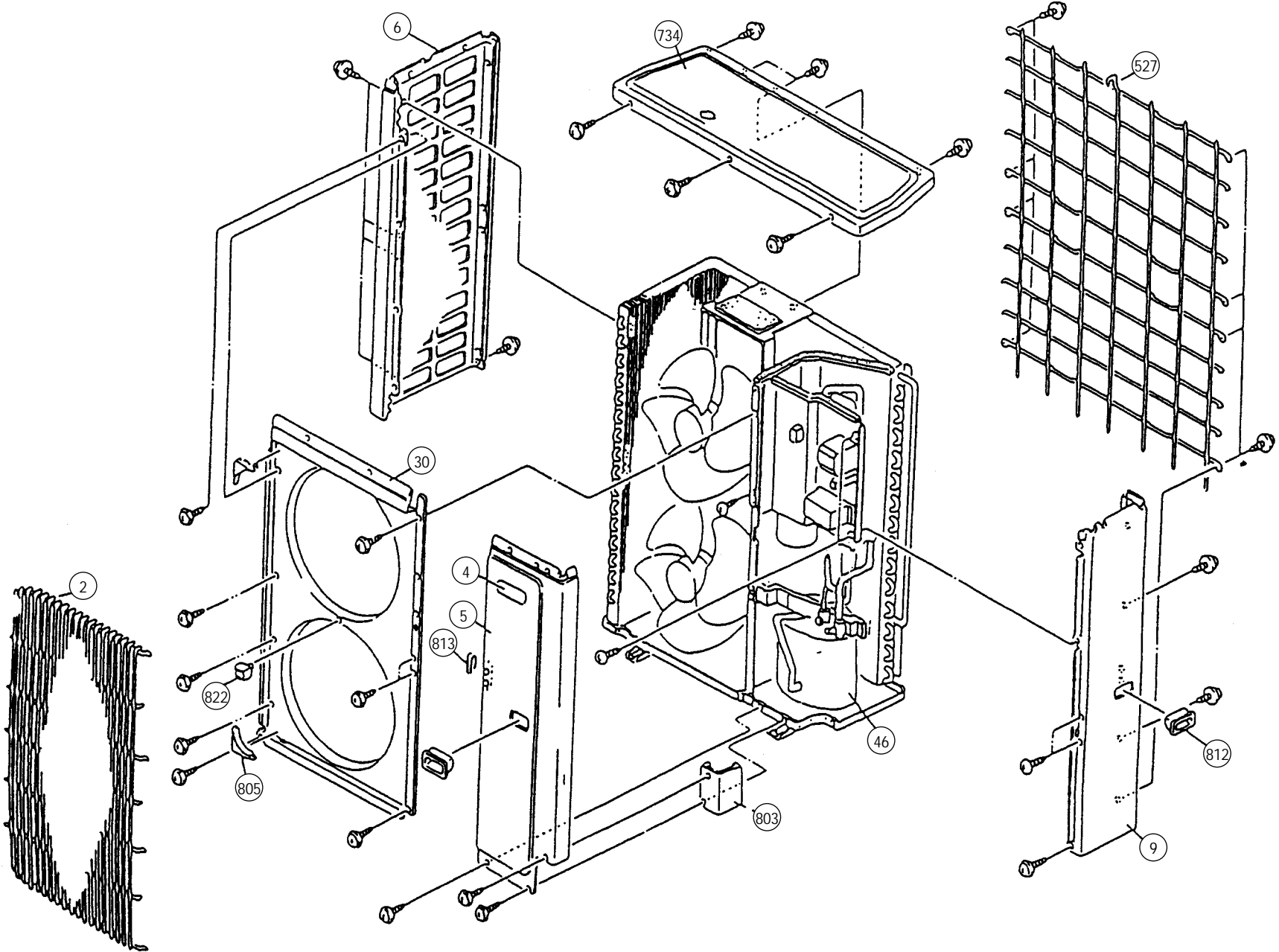
DISASSEMBLY ILLUSTRATION

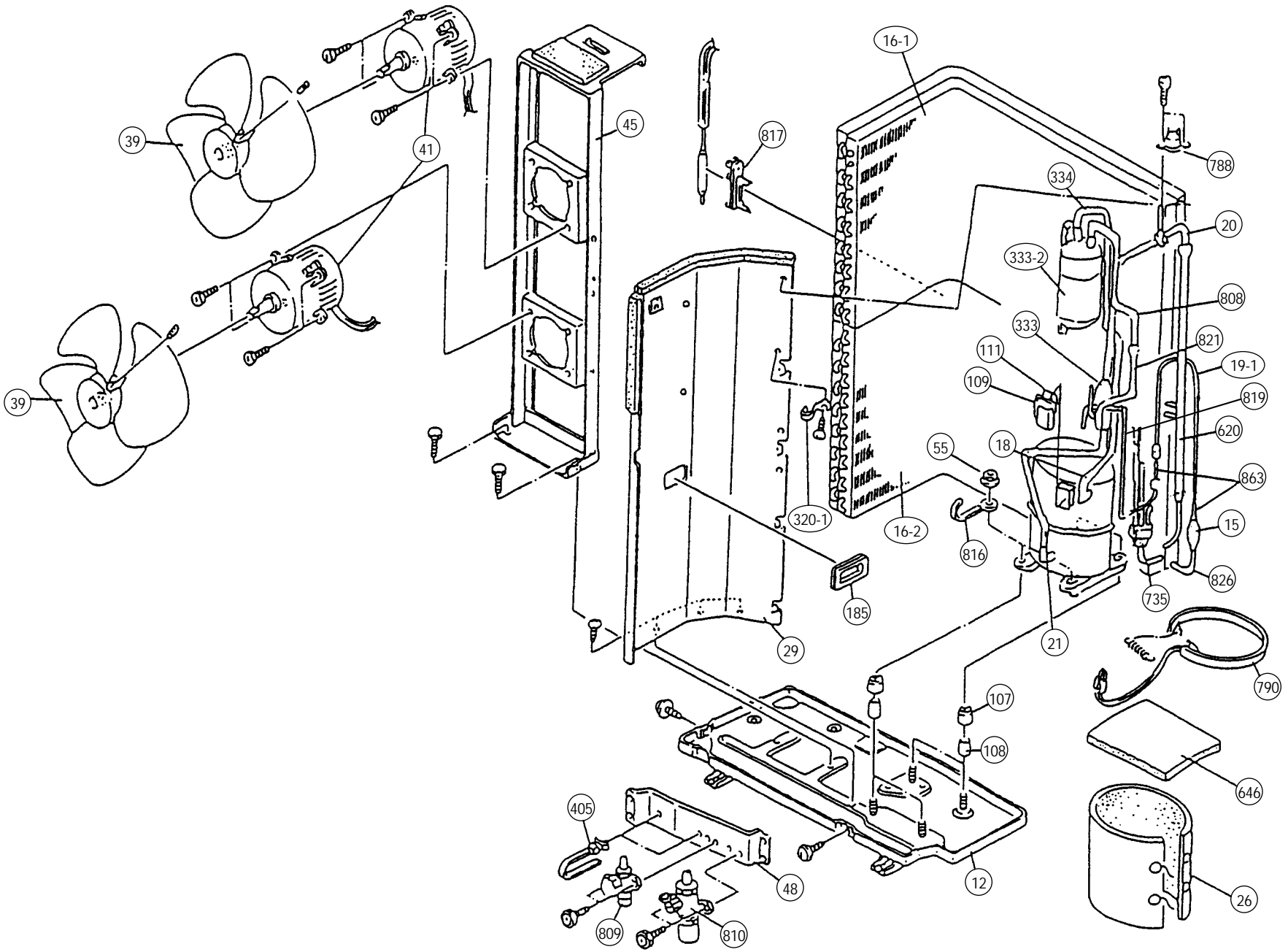
INDOOR UNIT

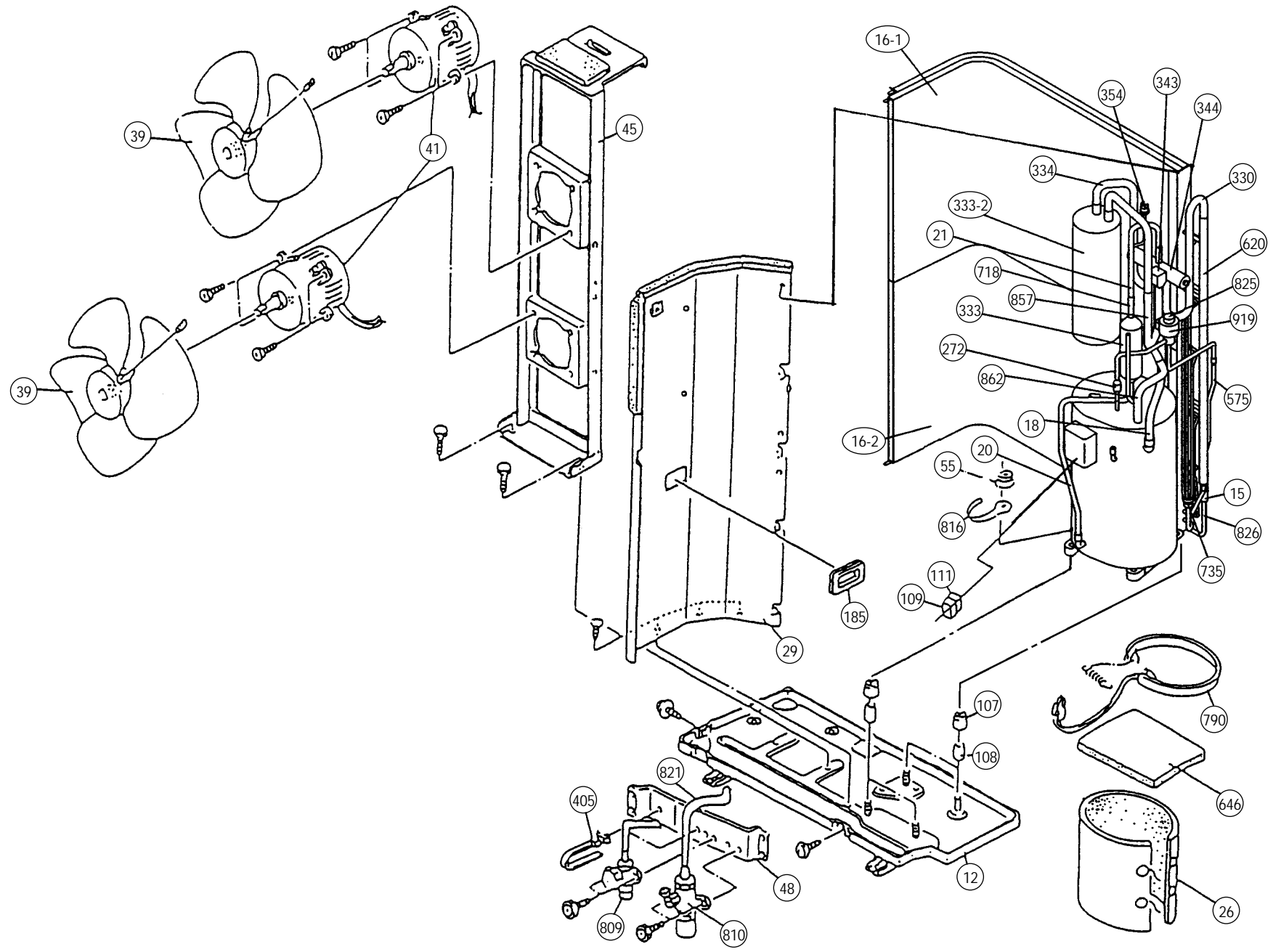


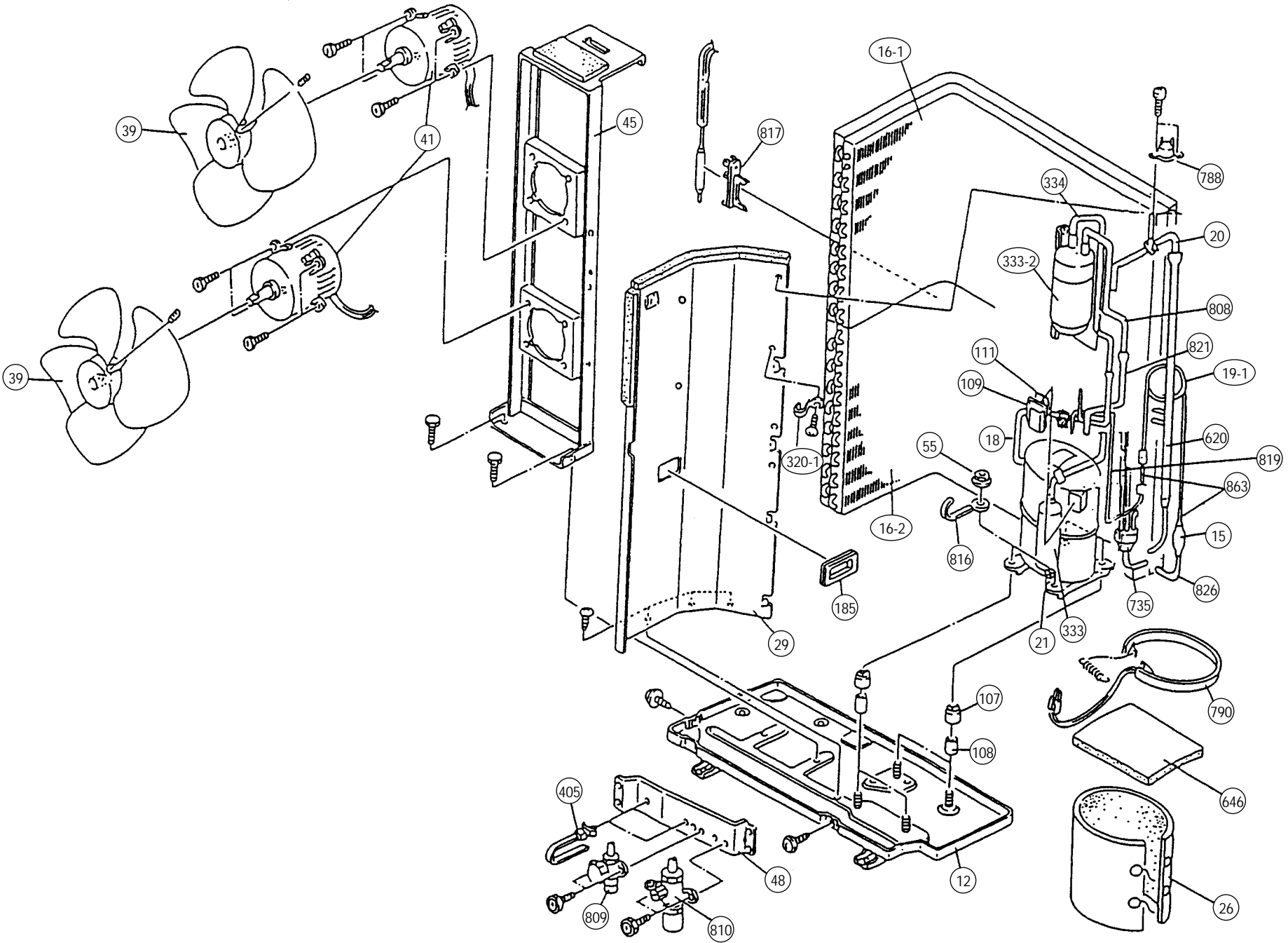


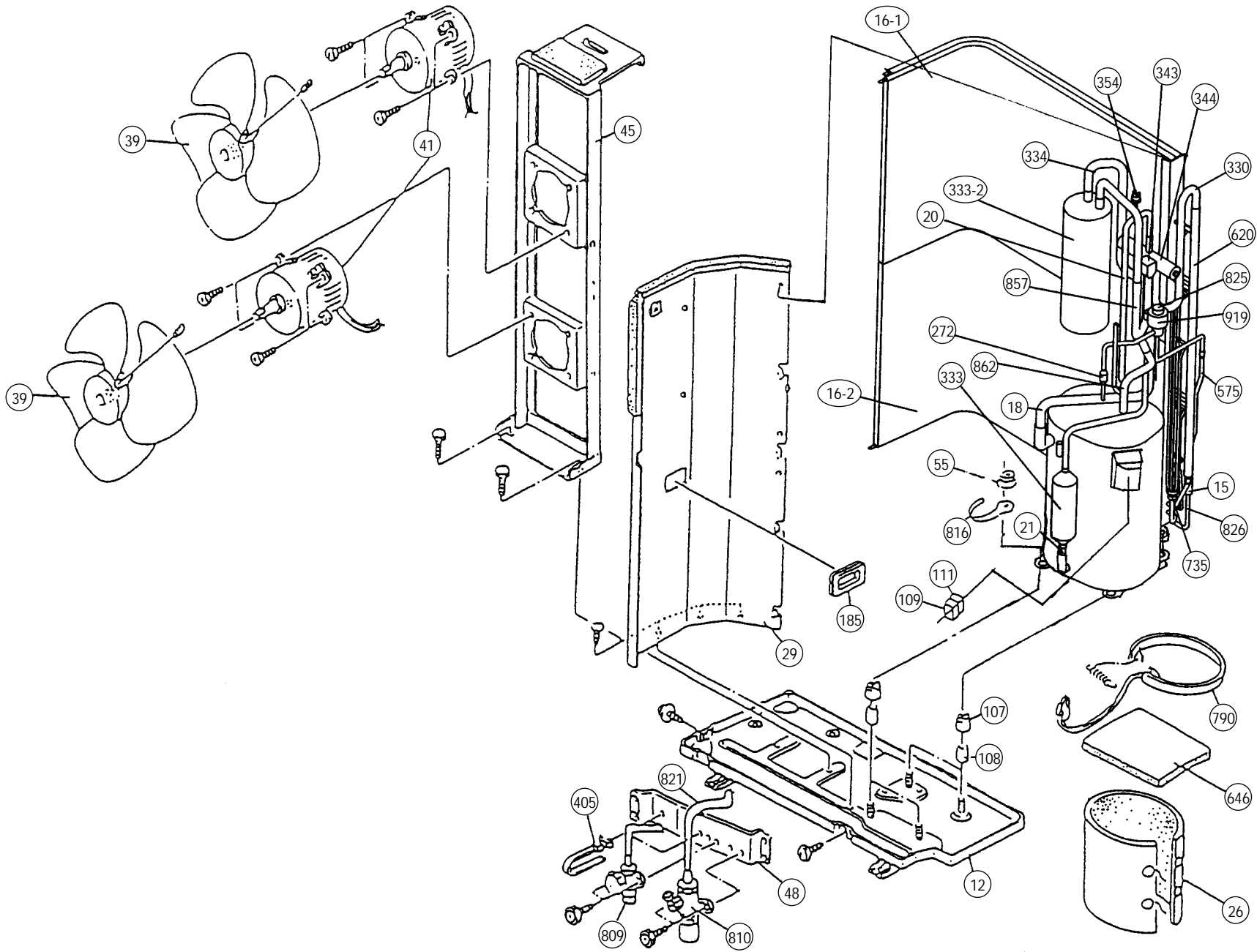


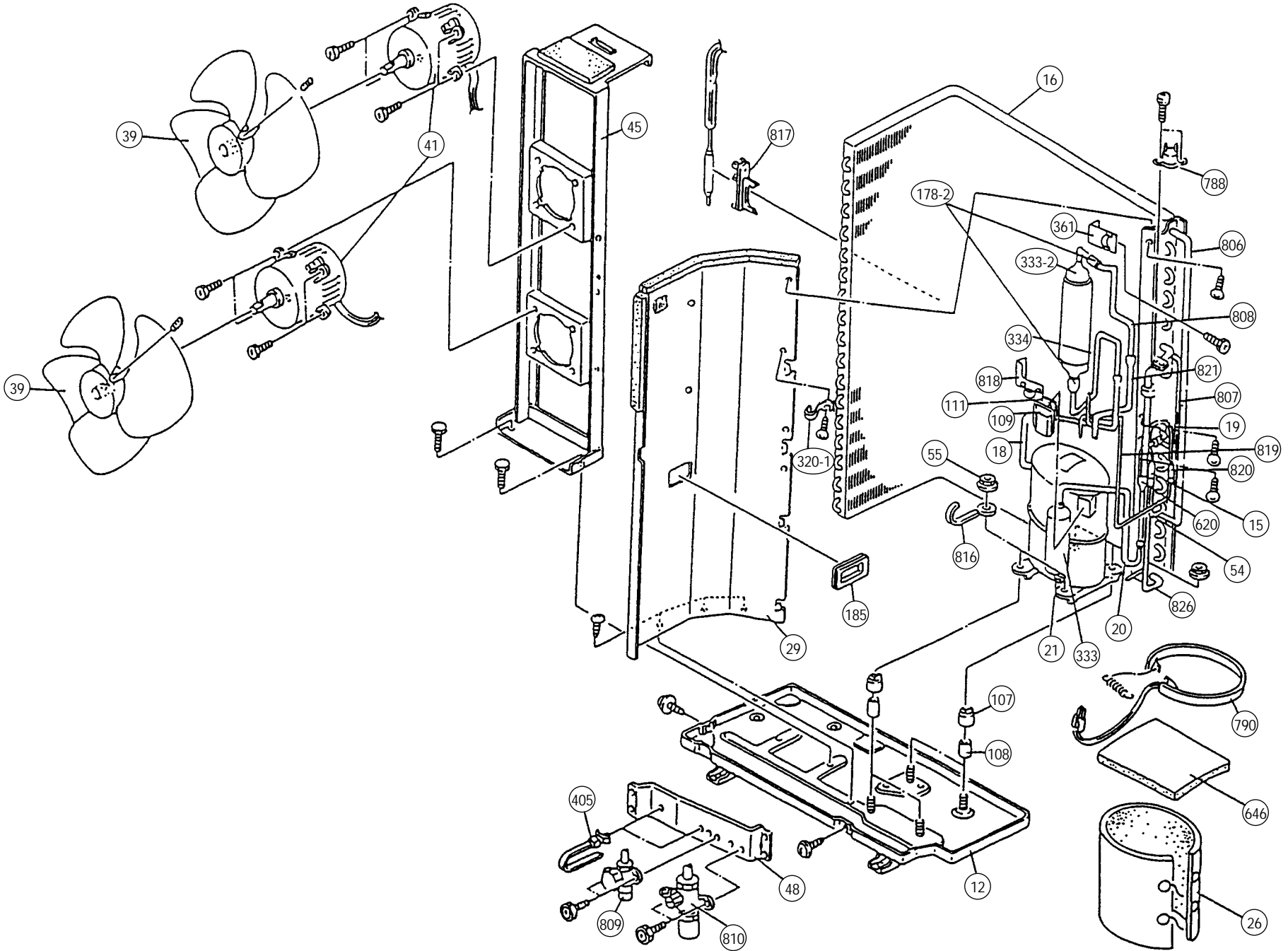


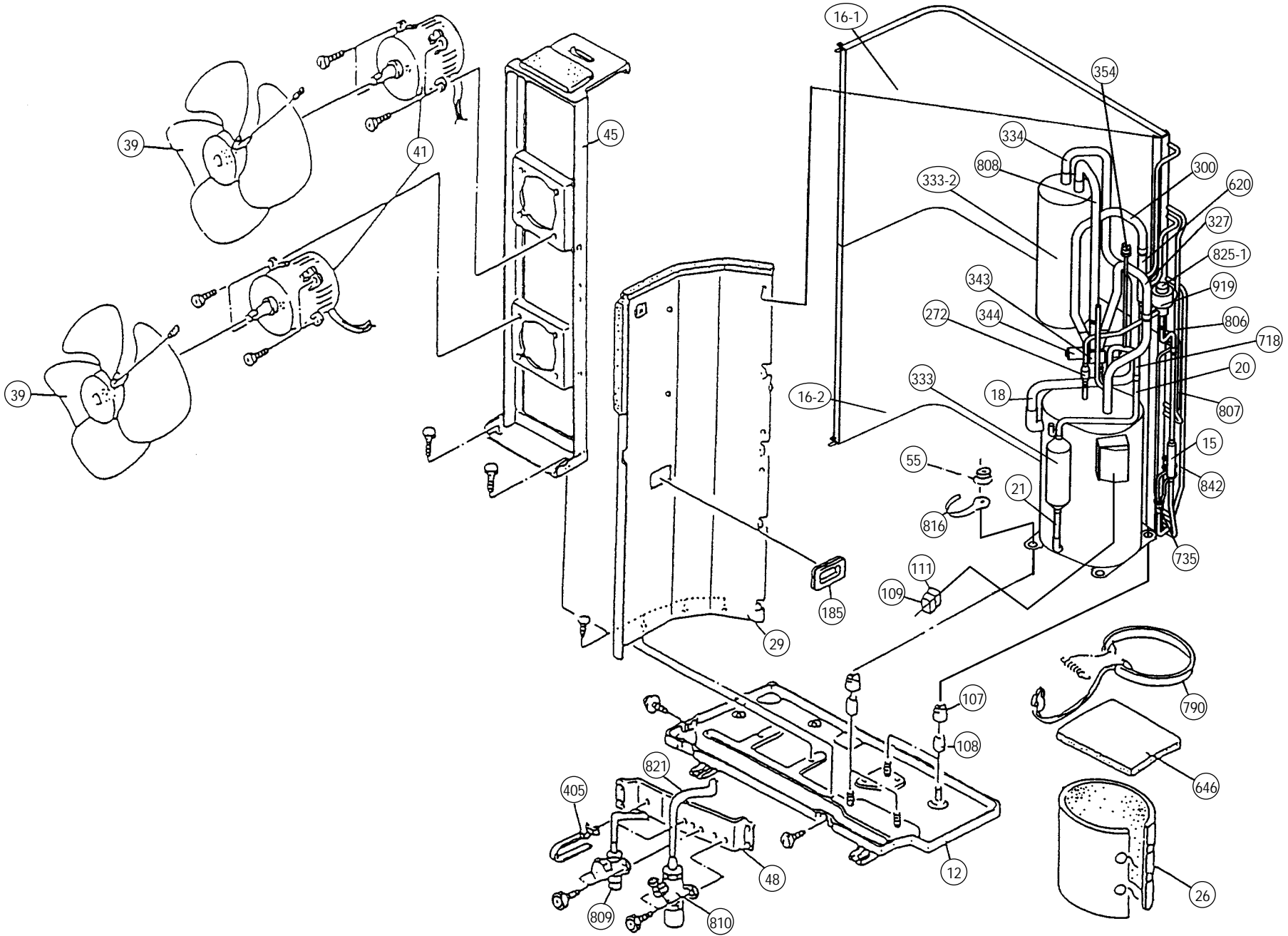




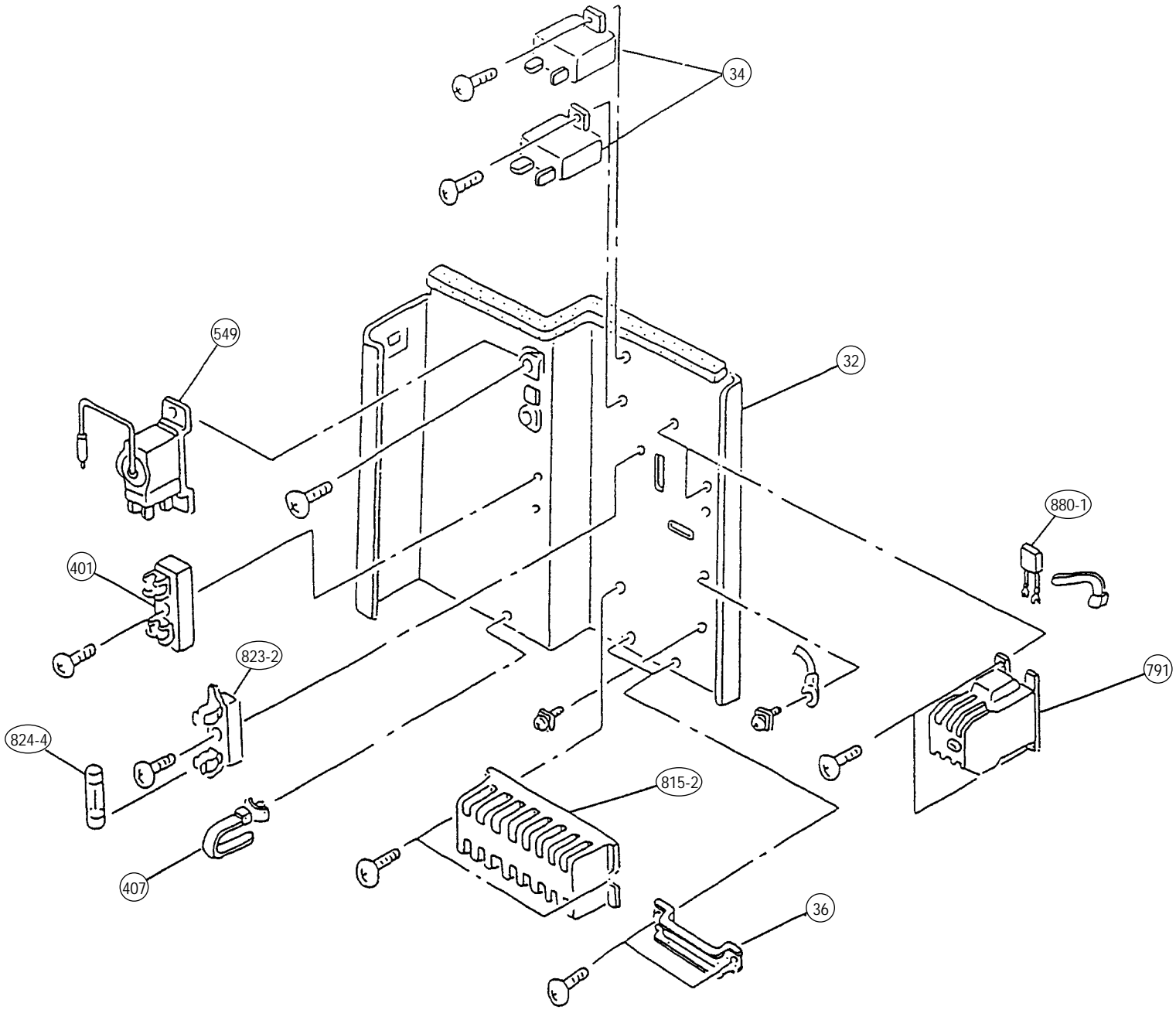




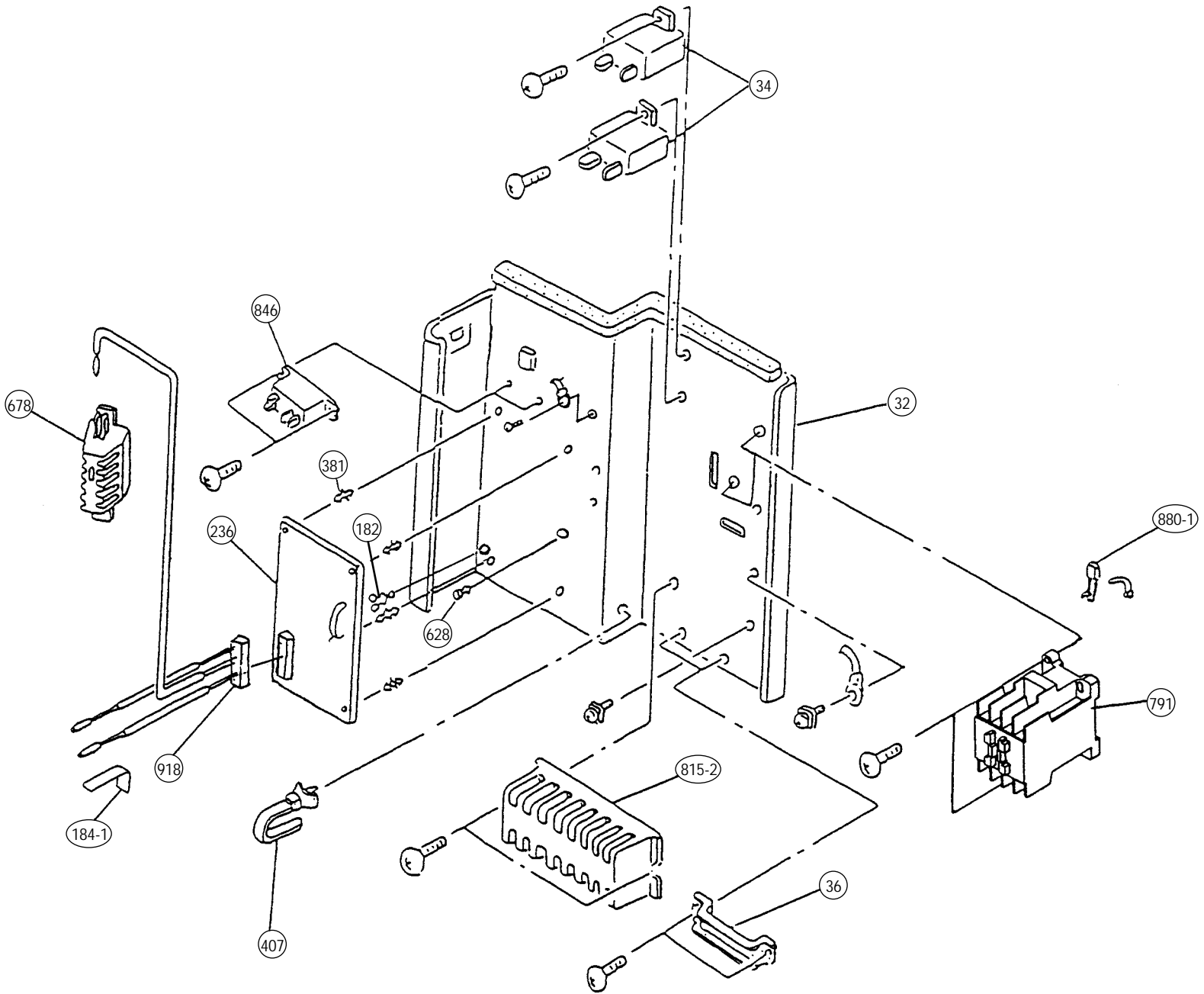




Models : RO-36A
RO-45A
RO-54A



Models : RO-36RA
RO-45RA
RO-54RA



PARTS LIST

INDOOR UNIT

When you order parts, please make a photocopy of this page and fill the number of the parts in the "Order" column.

| Ref. No. | Description | Part No. | | | | | | Ord. |
|-------------|----------------------------|--------------|--------------|--------------|--------------|--------------|--------------|------|
| | | RC-36A | RC-36RA | RC-45A | RC-45RA | RC-54A | RC-54RA | Q'ty |
| 34 | Capacitor (Fan Motor) | 9703306068 | 9703306068 | 9703306068 | 9703306068 | 9703306068 | 9703306068 | |
| 47-1 | Rubber (Discha. Pipe) | 313194159807 | 313194159807 | 313194159807 | 313194159807 | 313194159807 | 313194159807 | |
| 61 | Decoration Plate | 9363133004 | 9363133004 | 9363133004 | 9363133004 | 9363133004 | 9363133004 | |
| 67 | Rubber (Vibration Proof) | 9362783002 | 9362783002 | 9362783002 | 9362783002 | 9362783002 | 9362783002 | |
| 71 | Grille Hook Holder | 9362782005 | 9362782005 | 9362782005 | 9362782005 | 9362782005 | 9362782005 | |
| 93 | Filter | 9362766005 | 9362766005 | 9362766005 | 9362766005 | 9362766005 | 9362766005 | |
| 117-3 | Hex. Nut w / Spring Washer | 301721180114 | 301721180114 | 301721180114 | 301721180114 | 301721180114 | 301721180114 | |
| 122 | Louver Support Holder | 9362799003 | 9362799003 | 9362799003 | 9362799003 | 9362799003 | 9362799003 | |
| 127 | Drain Hose | 9362784009 | 9362784009 | 9362784009 | 9362784009 | 9362784009 | 9362784009 | |
| 138 | Separate Wall | 9362737005 | 9362737005 | 9362737005 | 9362737005 | 9362737005 | 9362737005 | |
| 143-1 | Clamp NK-3N | 313361274700 | 313361274700 | 313361274700 | 313361274700 | 313361274700 | 313361274700 | |
| 143-3 | Clamp NK-6N | 9305657001 | 9305657001 | 9305657001 | 9305657001 | 9305657001 | 9305657001 | |
| 146-1 | Evaporator-A Assy | 9363149005 | 9363149005 | 9363149005 | 9363149005 | 9363149005 | 9363149005 | |
| 146-2 | Evaporator-B Assy | 9363150001 | 9363150001 | 9363150001 | 9363150001 | 9363150001 | 9363150001 | |
| 155 | Special Nut M6 | 9307615016 | 9307615016 | 9307615016 | 9307615016 | 9307615016 | 9307615016 | |
| 160 | Drain Pan Assy | 9362804004 | 9362804004 | 9362804004 | 9362804004 | 9362804004 | 9362804004 | |
| 164 | Fan Motor Assy-IN | 9600878019 | 9600878019 | 9600878019 | 9600878019 | 9600878019 | 9600878019 | |
| 168 | Cabinet-E | 9362735001 | 9362735001 | 9362735001 | 9362735001 | 9362735001 | 9362735001 | |
| 184-1 | Thermo. Spring-A | 313728262708 | 313728262708 | 313728262708 | 313728262708 | 313728262708 | 313728262708 | |
| 187 | Clamp No. 1219 | 313361271706 | 313361271706 | 313361271706 | 313361271706 | 313361271706 | 313361271706 | |
| 195 | Clamp SKB-100 | 313361275805 | 313361275805 | 313361275805 | 313361275805 | 313361275805 | 313361275805 | |
| 196-2 | Clamp SKB-150 | 313035356905 | 313035356905 | 313035356905 | 313035356905 | 313035356905 | 313035356905 | |
| 197 | Wind Guide Board | 9363117004 | 9363117004 | 9363117004 | 9363117004 | 9363117004 | 9363117004 | |
| 210 | Main Relay | 9356781007 | 9356781007 | 9356781007 | 9356781007 | 9356781007 | 9356781007 | |
| 223 | Control Box | 9362762007 | 9362762007 | 9362762007 | 9362762007 | 9362762007 | 9362762007 | |
| 226 | Motor Gear | 9362764001 | 9362764001 | 9362764001 | 9362764001 | 9362764001 | 9362764001 | |
| 234 | Thermistor Assy-Room | 9703299025 | 9703299025 | 9703299025 | 9703299025 | 9703299025 | 9703299025 | |
| 235 | Thermistor Assy-Pipe | 9703297014 | 9703297014 | 9703297014 | 9703297014 | 9703297014 | 9703297014 | |
| 236 | Controller PCB Assy | 9700637011 | 9700637028 | 9700637035 | 9700637042 | 9700637059 | 9700637066 | |
| 240 | Remote Control Unit | 9703173028 | 9703173011 | 9703173028 | 9703173011 | 9703173028 | 9703173011 | |
| 244 | Pipe Cover | 9362748001 | 9362748001 | 9362748001 | 9362748001 | 9362748001 | 9362748001 | |
| 245 | Cable Clamp | 313714181904 | 313714181904 | 313714181904 | 313714181904 | 313714181904 | 313714181904 | |
| 337-1 | Reinforcement (Eva.)-A | 9362749008 | 9362749008 | 9362749008 | 9362749008 | 9362749008 | 9362749008 | |
| 337-2 | Reinforcement (Eva.)-B | 9362750004 | 9362750004 | 9362750004 | 9362750004 | 9362750004 | 9362750004 | |
| 338 | Motor Holder | 9362765008 | 9362765008 | 9362765008 | 9362765008 | 9362765008 | 9362765008 | |
| 381 | Locking Spacer | 313209391506 | 313209391506 | 313209391506 | 313209391506 | 313209391506 | 313209391506 | |
| 457 | Reinforcement (Drain Pan) | 9362757003 | 9362757003 | 9362757003 | 9362757003 | 9362757003 | 9362757003 | |
| 460-1 | Pump Cover-A | 9362775007 | 9362775007 | 9362775007 | 9362775007 | 9362775007 | 9362775007 | |
| 460-2 | Pump Cover-B | 9362776004 | 9362776004 | 9362776004 | 9362776004 | 9362776004 | 9362776004 | |
| 462 | Top Cover Plate | 9362806015 | 9362806015 | 9362806015 | 9362806015 | 9362806015 | 9362806015 | |
| 464 | Cabinet-A | 9362800013 | 9362800013 | 9362800013 | 9362800013 | 9362800013 | 9362800013 | |
| 465 | Cabinet-B | 9362801010 | 9362801010 | 9362801010 | 9362801010 | 9362801010 | 9362801010 | |
| 467 | Drain Port | 9362786003 | 9362786003 | 9362786003 | 9362786003 | 9362786003 | 9362786003 | |
| 468 | Special Nut-A (Large) | 313005446653 | 313005446653 | 313005446653 | 313005446653 | 313005446653 | 313005446653 | |
| 469 | Special Nut-B (Small) | 313005446759 | 313005446759 | 313005446759 | 313005446759 | 313005446759 | 313005446759 | |
| 472-1 | Grille Reinforcement •T-A | 9362738002 | 9362738002 | 9362738002 | 9362738002 | 9362738002 | 9362738002 | |
| 472-2 | Grille Reinforcement •T-B | 9362739009 | 9362739009 | 9362739009 | 9362739009 | 9362739009 | 9362739009 | |
| 472-3 | Grille Reinforcement •T-C | 9362740005 | 9362740005 | 9362740005 | 9362740005 | 9362740005 | 9362740005 | |
| 472-4 | Grille Reinforcement •T-D | 9362741002 | 9362741002 | 9362741002 | 9362741002 | 9362741002 | 9362741002 | |
| 472-5 | Grille Reinforcement •T-E | 9362742009 | 9362742009 | 9362742009 | 9362742009 | 9362742009 | 9362742009 | |
| 474 | Turbo Fan Assy | 9362803014 | 9362803014 | 9362803014 | 9362803014 | 9362803014 | 9362803014 | |
| 476-2 | Special Washer | 9362756006 | 9362756006 | 9362756006 | 9362756006 | 9362756006 | 9362756006 | |
| 477 | Bellmouth (B) | 9362774000 | 9362774000 | 9362774000 | 9362774000 | 9362774000 | 9362774000 | |
| 479 | Float Switch | 9703285004 | 9703285004 | 9703285004 | 9703285004 | 9703285004 | 9703285004 | |
| 482 | Pump Unit | 9703125010 | 9703125010 | 9703125010 | 9703125010 | 9703125010 | 9703125010 | |
| 484 | Hook | 9362736008 | 9362736008 | 9362736008 | 9362736008 | 9362736008 | 9362736008 | |
| 487 | Grille Hinge Wire | 9362754002 | 9362754002 | 9362754002 | 9362754002 | 9362754002 | 9362754002 | |
| 488 | Drain Pan Plug | 313005174654 | 313005174654 | 313005174654 | 313005174654 | 313005174654 | 313005174654 | |
| 514 | Control Box Cover | 9362763004 | 9362763004 | 9362763004 | 9362763004 | 9362763004 | 9362763004 | |
| 522 | Joint Gear | 9362772006 | 9362772006 | 9362772006 | 9362772006 | 9362772006 | 9362772006 | |
| 540 | Bypass Pipe-B | 9363152005 | 9363152005 | 9363152005 | 9363152005 | 9363152005 | 9363152005 | |
| 541 | Terminal Plate | 9363642001 | 9363642001 | 9363642001 | 9363642001 | 9363642001 | 9363642001 | |
| 542 | Panel Base | 9362759014 | 9362759014 | 9362759014 | 9362759014 | 9362759014 | 9362759014 | |
| 543 | Panel Base Holder | 9362761017 | 9362761017 | 9362761017 | 9362761017 | 9362761017 | 9362761017 | |
| 544 | Panel Base Holder | 9362760010 | 9362760010 | 9362760010 | 9362760010 | 9362760010 | 9362760010 | |
| 545 | Panel Frame | 9362758017 | 9362758017 | 9362758017 | 9362758017 | 9362758017 | 9362758017 | |
| 563 | Insulation (Inner Box) | 9362768009 | 9362768009 | 9362768009 | 9362768009 | 9362768009 | 9362768009 | |

INDOOR UNIT (Continued)

When you order parts, please make a photocopy of this page and fill the number of the parts in the "Order" column.

| Ref. No. | Description | Part No. | | | | | | Ord. |
|-------------|------------------------|--------------|--------------|--------------|--------------|--------------|--------------|------|
| | | RC-36A | RC-36RA | RC-45A | RC-45RA | RC-54A | RC-54RA | Q'ty |
| 564 | Bypass Pipe-A Assy | 9363151008 | 9363151008 | 9363151008 | 9363151008 | 9363151008 | 9363151008 | |
| 565 | Evaporator Holder Assy | 9362802017 | 9362802017 | 9362802017 | 9362802017 | 9362802017 | 9362802017 | |
| 568 | Noise Insulation | 9363143003 | 9363143003 | 9363143003 | 9363143003 | 9363143003 | 9363143003 | |
| 628 | Locking Spacer-B | 313005446558 | 313005446558 | 313005446558 | 313005446558 | 313005446558 | 313005446558 | |
| 652-1 | Thermistor Holder Pipe | 313806262805 | 313806262805 | 313806262805 | 313806262805 | 313806262805 | 313806262805 | |
| 690 | Joint-A | 9362773003 | 9362773003 | 9362773003 | 9362773003 | 9362773003 | 9362773003 | |
| 692 | Joint Shaft | 9362771009 | 9362771009 | 9362771009 | 9362771009 | 9362771009 | 9362771009 | |
| 705 | Louver | 9362769013 | 9362769013 | 9362769013 | 9362769013 | 9362769013 | 9362769013 | |
| 710 | Intake Grille-B | 9362854016 | 9362854016 | 9362854016 | 9362854016 | 9362854016 | 9362854016 | |
| 735 | Distributor Assy | 9363154009 | 9363154009 | 9363154009 | 9363154009 | 9363154009 | 9363154009 | |
| 777-1 | Grille Hook-A | 9362779012 | 9362779012 | 9362779012 | 9362779012 | 9362779012 | 9362779012 | |
| 777-2 | Grille Hook-B | 9362778015 | 9362778015 | 9362778015 | 9362778015 | 9362778015 | 9362778015 | |
| 798 | Pump Hook Bracket | 9362753005 | 9362753005 | 9362753005 | 9362753005 | 9362753005 | 9362753005 | |
| 803 | Cabinet-D | 9362734004 | 9362734004 | 9362734004 | 9362734004 | 9362734004 | 9362734004 | |
| 814 | Cabinet-C | 9362733007 | 9362733007 | 9362733007 | 9362733007 | 9362733007 | 9362733007 | |
| 815-1 | Terminal 3P | 9306489052 | 9306489052 | 9306489052 | 9306489052 | 9306489052 | 9306489052 | |
| 815-2 | Terminal 3P | 9703345012 | 9703345012 | 9703345012 | 9703345012 | 9703345012 | 9703345012 | |
| 834-1 | Wire Cover-A | 9362789004 | 9362789004 | 9362789004 | 9362789004 | 9362789004 | 9362789004 | |
| 834-2 | Wire Cover-B | 9362788007 | 9362788007 | 9362788007 | 9362788007 | 9362788007 | 9362788007 | |
| 835 | Cushion Rubber (Pump) | 9362777001 | 9362777001 | 9362777001 | 9362777001 | 9362777001 | 9362777001 | |
| 847 | Louver Supporter | 9362770019 | 9362770019 | 9362770019 | 9362770019 | 9362770019 | 9362770019 | |
| 858 | Grille Spring | 9362755009 | 9362755009 | 9362755009 | 9362755009 | 9362755009 | 9362755009 | |
| 875 | Filter PCB Assy | 9703292019 | 9703071010 | 9703292019 | 9703071010 | 9703292019 | 9703071010 | |
| 876-2 | Step Motor | 9360307019 | 9360307019 | 9360307019 | 9360307019 | 9360307019 | 9360307019 | |
| 897 | Coupling Pipe-A Assy | 9363153002 | 9363153002 | 9363153002 | 9363153002 | 9363153002 | 9363153002 | |
| 898 | Coupling Pipe-B Assy | 9363155006 | 9363155006 | 9363155006 | 9363155006 | 9363155006 | 9363155006 | |
| 982-1 | Cord Clamp | 9356857009 | 9356857009 | 9356857009 | 9356857009 | 9356857009 | 9356857009 | |

RO-36A
RO-36RA
RO-45A
RO-45RA
RO-54A
RO-54RA

When you order parts, please make a photocopy of this page and fill the number of the parts in the "Order" column.

OUTDOOR UNIT

| Ref. No. | Description | Part No. | | | | | | Ord. |
|-------------|-------------------------|--------------|--------------|--------------|--------------|--------------|--------------|------|
| | | RO-36A | RO-36RA | RO-45A | RO-45RA | RO-54A | RO-54RA | Qty |
| 2 | Fan Cover | 9352159015 | 9352159015 | 9352159015 | 9352159015 | 9352159015 | 9352159015 | |
| 4 | Emblem-Rear | 9301702019 | 9301702019 | 9301702019 | 9301702019 | 9301702019 | 9301702019 | |
| 5 | Cabinet-A, Painted | 9352146015 | 9352146015 | 9352146015 | 9352146015 | 9352146015 | 9352146015 | |
| 6 | Cabinet-C, Painted | 9352149016 | 9352149016 | 9352149016 | 9352149016 | 9352149016 | 9352149016 | |
| 9 | Cabinet-B, Painted | 9352147012 | 9352147012 | 9352147012 | 9352147012 | 9352147012 | 9352147012 | |
| 12 | Base Assy, Painted | 9352136016 | 9352136016 | 9352136016 | 9352136016 | 9352136016 | 9352136016 | |
| 15 | Dryer | 9300589031 | 9353789006 | 9353789006 | 9353789006 | 9353789006 | 9353789006 | |
| 16 | Condenser Assy | 9352128011 | — | — | — | — | — | |
| 16-1 | Condenser-A Assy | — | 9353023001 | 9355338011 | 9355338011 | 9355338011 | 9355338011 | |
| 16-2 | Condenser-B Assy | — | 9353024008 | 9353363008 | 9353363008 | 9353363008 | 9353363008 | |
| 18 | Suction Pipe | 9352286001 | 9352286001 | 9353200006 | 9353200006 | 9358823002 | 9358823002 | |
| 19 | Capillary Tube | 9352439001 | — | — | — | — | — | |
| 19-1 | Capillary Tube | — | — | 9353644008 | — | 9363760002 | — | |
| 20 | Discharge Pipe | 9352288005 | — | — | — | — | — | |
| 20 | Discharge Pipe Assy | — | 9357362007 | 9353620002 | 9357359007 | 9358833001 | 9361553002 | |
| 21 | Discharge Pipe-B | 9352289002 | 9352289002 | 9353209009 | 9353209009 | 9358963005 | — | |
| 21 | Discharge Pipe-B Assy | — | — | — | — | — | 9363748000 | |
| 26 | Compressor Cover-A | 9352416002 | 9352416002 | 9353367006 | 9353367006 | 9358830000 | 9358830000 | |
| 29 | Separate Wall Assy | 9355277013 | 9355277013 | 9355277013 | 9355277013 | 9358705018 | 9358705018 | |
| 30 | Blower Cover, Painted | 9352151019 | 9352151019 | 9352151019 | 9352151019 | 9352151019 | 9352151019 | |
| 32 | Control Box Metal | 9352134012 | 9352134012 | 9352134012 | 9352134012 | 9352134012 | 9352134012 | |
| 34 | Capacitor (Fan Motor) | 9357965024 | 9357965024 | 9357965024 | 9357965024 | 9357965024 | 9357965024 | |
| 36 | Cord Holder Metal | 9356934007 | 9356934007 | 9356934007 | 9356934007 | 9356934007 | 9356934007 | |
| 39 | Propeller Fan Assy | 9300855013 | 9300855013 | 9300855013 | 9300855013 | 9300855013 | 9300855013 | |
| 41 | Fan Motor Assy-Out | 9600266014 | 9600266014 | 9600266014 | 9600266014 | 9600266014 | 9600266014 | |
| 45 | Bracket (Motor) Assy | 9352141003 | 9352141003 | 9352141003 | 9352141003 | 9352141003 | 9352141003 | |
| 46 | Compressor Assy | 9352412004 | 9352412004 | 9353157003 | 9353157003 | 9358822005 | 9358822005 | |
| 48 | Bracket (Coupler) Assy | 9355281010 | 9355281010 | 9355281010 | 9355281010 | 9355281010 | 9355281010 | |
| 54 | Condensing Pipe-A | 9352296000 | — | — | — | — | — | |
| 55 | Special Nut M8 | 313252257701 | 313252257701 | 313252257701 | 313252257701 | 313252257701 | 313252257701 | |
| 107 | Rubber Seat-A | 9351875039 | 9351875039 | 9351875039 | 9351875039 | 9363051001 | 9363051001 | |
| 108 | Sleeve-A | 9351875046 | 9351875046 | 9351875046 | 9351875046 | 9363052008 | 9363052008 | |
| 109 | Terminal Cover | 9351875053 | 9351875053 | 9351875053 | 9353360007 | 9352456022 | 9352456022 | |
| 111 | Terminal Packing | 9351875060 | 9351875060 | 9351875060 | 9353361004 | 9352456039 | 9352456039 | |
| 178-2 | Capillary Holder Rubber | 313394274808 | 313394274808 | 313394274808 | 313394274808 | 313394274808 | 313394274808 | |
| 182 | Clamp No. 249 | — | 313361271505 | — | 313361271505 | — | 313361271505 | |
| 184-1 | Thermo. Spring-A | — | 313728262708 | — | 313728262708 | — | 313728262708 | |
| 185 | Rubber Bushing | 313005066051 | 313005066051 | 313005066051 | 313005066051 | 313005066051 | 313005066051 | |
| 236 | Controller PCB Assy | — | 9703230035 | — | 9703230028 | — | 9703230011 | |
| 272 | Strainer Assy | — | 9354139008 | — | 9354139008 | — | 9354139008 | |
| 300 | Suction Pipe-C | — | 9352759000 | — | — | — | — | |
| 320-1 | Wire Clamp Metal | 313483219905 | — | 313483219905 | — | 313483219905 | — | |
| 327 | Suction Pipe-A | — | 9352754005 | — | — | — | — | |
| 330 | Inlet Pipe (Cond.)-A | — | — | — | 9353310002 | — | 9353310002 | |
| 333 | Accumulator | 9350363018 | 9350363018 | 9350363018 | 9350363018 | 9350363018 | 9350363018 | |
| 333-2 | Accumulator (B) | 9301942019 | — | — | — | — | — | |
| 333-2 | Accumulator Assy (B) | — | 9362425001 | 9362425001 | 9362425001 | 9362425001 | 9362425001 | |
| 334 | Suction Pipe-B | 9352557002 | 9352287008 | 9352287008 | 9352287008 | 9352287008 | 9352287008 | |
| 343 | Solenoid Coil | — | 9359616108 | — | 9359616108 | — | 9359616108 | |
| 344 | 4-Way Valve | — | 9353055002 | — | 9353532008 | — | 9353532008 | |
| 354 | Pressure Switch | — | 9355094009 | — | 9355094009 | — | 9355094009 | |
| 361 | Accumulator Support | 9355351003 | — | — | — | — | — | |
| 381 | Locking Spacer | — | 313209391506 | — | 313209391506 | — | 313209391506 | |
| 401 | Terminal-2P | 9701971015 | — | 9701971015 | — | 9701971015 | — | |
| 405 | Clamp No. 1763 | 313816345304 | 313816345304 | 313816345304 | 313816345304 | 313816345304 | 313816345304 | |
| 407 | Clamp (Cable) No. 1259 | 313739340109 | 313739340109 | 313739340109 | 313739340109 | 313739340109 | 313739340109 | |
| 527 | Protection Net | 9352163012 | 9352163012 | 9352163012 | 9352163012 | 9352163012 | 9352163012 | |
| 549 | Thermostat-Outdoor | 9352426001 | — | 9352426001 | — | 9352426001 | — | |
| 575 | Condensing Pipe-C | — | — | — | 9363460001 | — | 9363460001 | |
| 620 | Inlet Pipe (Cond.) Assy | 9355316019 | 9352741005 | 9353183002 | 9353183002 | 9353183002 | 9353183002 | |
| 628 | Locking Spacer-B | — | 313005446558 | — | 313005446558 | — | 313005446558 | |
| 646 | Compressor Cover-B | 313986355101 | 313986355101 | 9353368003 | 9353368003 | 9353368003 | 9353368003 | |
| 678 | Bracket (Thermistor) | — | 313557406106 | — | 313557406106 | — | 313557406106 | |
| 718 | Discharge Pipe-C Assy | — | 9363767001 | — | 9363761009 | — | — | |
| 718 | Discharge Pipe-C | — | — | — | — | — | 9359303008 | |
| 734 | Cabinet Top Plate | 9352161018 | 9352161018 | 9352161018 | 9352161018 | 9352161018 | 9352161018 | |
| 735 | Distributor Assy | — | 9354119000 | 9353187000 | 9353187000 | 9353187000 | 9353187000 | |
| 788 | Thermostat-Overheat | 9354061002 | — | 9354061002 | — | 9354061002 | — | |
| 790 | Belt Heater | 9361140011 | 9361140011 | 9361140028 | 9361140028 | 9358834008 | 9358834008 | |
| 791 | Magnetic Relay | 9363277005 | 9363277005 | 9363277005 | 9363277005 | 9352552007 | 9363277005 | |

OUTDOOR UNIT (Continued)

When you order parts, please make a photocopy of this page and fill the number of the parts in the "Order" column.

| Ref. No. | Description | Part No. | | | | | | Ord. |
|-------------|--------------------------|--------------|--------------|--------------|--------------|--------------|--------------|------|
| | | RO-36A | RO-36RA | RO-45A | RO-45RA | RO-54A | RO-54RA | Q'ty |
| 803 | Cabinet-D, Painted | 9352150012 | 9352150012 | 9352150012 | 9352150012 | 9352150012 | 9352150012 | |
| 805 | Blower Cover Corner | 9352160011 | 9352160011 | 9352160011 | 9352160011 | 9352160011 | 9352160011 | |
| 806 | Cond. Pass Pipe-A | 9352294006 | _____ | _____ | _____ | _____ | _____ | |
| 806 | Cond. Pass Pipe-A Assy | _____ | 9355736008 | _____ | _____ | _____ | _____ | |
| 807 | Cond. Pass Pipe-B | _____ | 9354112001 | _____ | _____ | _____ | _____ | |
| 807 | Cond. Pass Pipe-B Assy | 9353090010 | _____ | _____ | _____ | _____ | _____ | |
| 808 | Inlet Pipe (Accum.) Assy | 9352556005 | 9363464009 | 9352285004 | _____ | 9352285004 | _____ | |
| 809 | Ball Valve-A | 9357976006 | 9357976006 | 9357976006 | 9357976006 | 9357976006 | 9357976006 | |
| 810 | Ball Valve-B | 9357982007 | 9357982007 | 9357982007 | 9357982007 | 9357982007 | 9357982007 | |
| 812 | Grip | 9352157004 | 9352157004 | 9352157004 | 9352157004 | 9352157004 | 9352157004 | |
| 813 | Cabinet Hook | 9352148002 | 9352148002 | 9352148002 | 9352148002 | 9352148002 | 9352148002 | |
| 815-2 | Terminal 8P | 9363276022 | 9363276022 | 9363276022 | 9363276022 | 9363276022 | 9363276022 | |
| 816 | Wire Clamp Metal | 313584219902 | 313584219902 | 313584219902 | 313584219902 | 313584219902 | 313584219902 | |
| 817 | Thermostat Fixture | 9352164019 | _____ | 9352164019 | _____ | 9352164019 | _____ | |
| 818 | Accumulator Support-B | 9355350006 | _____ | _____ | _____ | _____ | _____ | |
| 819 | Joint Pipe (Valve-A) | _____ | _____ | 9353621009 | _____ | 9353621009 | _____ | |
| 819 | Valve-A Coupl. Pipe | 9352298004 | _____ | _____ | _____ | _____ | _____ | |
| 820 | Joint Pipe (Capillary) | 9352299001 | _____ | _____ | _____ | _____ | _____ | |
| 821 | Joint Pipe (Valve-B) | 9352284007 | 9352284007 | 9352284007 | 9353307002 | 9352284007 | 9353307002 | |
| 822 | Fan Cover Fixture-A | 9352158018 | 9352158018 | 9352158018 | 9352158018 | 9352158018 | 9352158018 | |
| 823-2 | Fuse Holder | 0500063024 | _____ | 0500063024 | _____ | 0500063024 | _____ | |
| 824-4 | Fuse | 0600222529 | _____ | 0600222529 | _____ | 0600222529 | _____ | |
| 825 | Expansion Valve Assy | _____ | _____ | _____ | 9363453003 | _____ | 9363453003 | |
| 825-1 | Expansion Valve, Main | _____ | 9363454017 | _____ | _____ | _____ | _____ | |
| 826 | Condensing Pipe-B | 9352297007 | _____ | 9353215000 | 9353215000 | 9353215000 | 9353215000 | |
| 842 | Cond. Pass Pipe-C | _____ | 9354111004 | _____ | _____ | _____ | _____ | |
| 846 | Relay | _____ | 9304375005 | _____ | 9304375005 | _____ | 9304375005 | |
| 857 | Inlet Pipe (Accum.)-B | _____ | _____ | _____ | 9363459005 | _____ | 9363459005 | |
| 862 | Valve-B Coupl. Pipe | _____ | _____ | _____ | 9353309006 | _____ | 9353309006 | |
| 863 | Joint Pipe (Capillary)-B | _____ | _____ | 9353206008 | _____ | 9353206008 | _____ | |
| 880-1 | Network (C-R) | 9700987017 | 9700987017 | 9700987017 | 9700987017 | 9700987017 | 9700987017 | |
| 918 | Thermistor Assy | _____ | 9703129025 | _____ | 9703129025 | _____ | 9703129025 | |
| 919 | Expansion Valve Coill | _____ | 9363467017 | _____ | 9363467017 | _____ | 9363467017 | |

RC-36A
RC-36RA
RC-45A
RC-45RA
RC-54A
RC-54RA

When you order parts, please make a photocopy of this page and fill the number of the parts in the "Order" column.

[INDOOR UNIT]

CONTROLLER PCB ASSEMBLY (Ref. No.236)

() : Reverse cycle model

| Ref. No. | Description | Part No. | Ord. Q'ty | Ref. No. | Description | Part No. | Ord. Q'ty |
|---|---------------------------------------|------------|-----------|--------------------------------------|---------------------------------------|------------|-----------|
| IC1 | IC μ PD78014HCW-024 | 9700856016 | | R43 | Res. 10k Ω \pm 1% | 0200279497 | |
| IC2 | IC NJM7812FA | 0100462104 | | R45 | Res. 49.9k Ω \pm 1% | 0200279824 | |
| IC3 | IC NJM7805FA | 0100462081 | | R63 | Res. 15.4k Ω \pm 1% | 0200279565 | |
| IC4-6 | Xstr μ PA2003GR | 0100028041 | | R64 | Res. 28k Ω \pm 1% | 0201114445 | |
| IC7 | IC BR93LC46RF-E2 | 0100295016 | | C5 | Cap. Elec. 450V 100 μ F | 0300256060 | |
| IC8 | IC PST600CMTR | 0101461120 | | C6 | Cap. Plastic 4700pF | 0300269091 | |
| IC9 | IC Photocoupler TLP621(D4)-GB | 0000117074 | | C7 | Cap. Plastic 0.047 μ F | 0300169339 | |
| (IC10) | IC HI2002 | 9701384020 | | C8 | Cap. Elec. 25V 100 μ F | 0301197560 | |
| IC11 | IC BA10358FE2 | 0101846071 | | C9 | Cap. Elec. 25V 1000 μ F | 0301196495 | |
| Q1 | Xstr 2SC4236 | 0000164047 | | C10,11,33,36 | Cap. Elec. 25V 10 μ F | 0301192312 | |
| Q2 | Xstr 2SC1815 | 0000002011 | | C12 | Cap. Elec. 25V 1000 μ F | 0301158264 | |
| Q3,4 | Xstr DTC124EKA | 0000936033 | | C13,15,34,37, 39,44,45, | Cap. Ceramic 50V 0.1 μ F | 0300311752 | |
| Q5,6 | Xstr 2SC2712 | 0000781053 | | C14 | Cap. Elec. 25V 100 μ F | 0301192350 | |
| D1 | Diode D3SB60 | 0000689045 | | C16-31,38,40, 46,49,(CJ1), CJ2 | Cap. Ceramic 50V 0.01 μ F | 0300311738 | |
| D2,4,7 | Diode D1FL20U | 0000746519 | | C32,35,50-53 | Cap. Ceramic 50V 1000pF | 0300308509 | |
| D3 | Diode MTZJ5.1B | 0000852166 | | C54 | Cap. Ceramic 50V 0.01 μ F | 0300209127 | |
| D5 | Diode 1SR139-600 | 0000353120 | | X1 | Ceramic Resonator EFOEC8384T4 | 9701261017 | |
| D6 | Diode D2FL20 | 0000906500 | | L2-4 | EMI Filter EXCEMT103DT | 0400406396 | |
| D8 | Diode D1F60 | 0000208024 | | VA1,(3) | Varistor TNR12G471K | 0000038010 | |
| D9,10 | Diode DA226U | 0000625036 | | SSR1 | Relay G3M-202PL-UTU | 9701653010 | |
| D12 | Diode DAN202K | 0000684019 | | K4 | Relay JQ1-12V | 9701316014 | |
| R1 | Res. Cement 5W 3.3 Ω \pm 10% | 0200153148 | | CR1 | CR Absorber RPEL-121204-C | 9701125012 | |
| R2 | Res. Cement 2W 1.5 Ω \pm 5% | 0201107119 | | T1 | Switching Transformer ETS28AS118AH | 9702727017 | |
| R3 | Res. 100 Ω \pm 5% | 0200212500 | | SW1,4 | Switch, Slide DSS803 | 9701392018 | |
| R4 | Res. Carbon 220k Ω \pm 5% | 0200111353 | | SW2 | Switch, Rotary DRS4016-5 | 9701694013 | |
| R5 | Res. Metal 2W 47k Ω \pm 5% | 0201107652 | | CN1 | Plug, PCB 5-1123724-2 | 0501321574 | |
| R6 | Res. 100 Ω \pm 5% | 0200731506 | | (CN1) | Plug, PCB 5-1123724-3 | 0501321635 | |
| R7 | Res. 330 Ω \pm 5% | 0200708621 | | CN3 | Plug, PCB 53406-9910 | 0500951048 | |
| R8,10,13-17, 21-24,29-32 37,39,48,50, 52,55,59-61, 66,68,70 | Res. 10k Ω \pm 5% | 0200213019 | | CN4 | Plug, PCB 2-1123724-2 | 0501321529 | |
| R9,47,65 | Res. 390 Ω \pm 5% | 0200212647 | | CN5 | Plug, PCB 1-1123724-3 | 0501321451 | |
| R11 | Res. Metal 1W 56k Ω \pm 5% | 0201106662 | | CN6 | Plug, PCB 3-1123724-2 | 0501321536 | |
| R12,18-20, 25-28,33-36, 38,42,44,46, 49,51,58,67,69 | Res. 1k Ω \pm 5% | 0200212746 | | CN7 | Plug, PCB B2B-XAKK-1-A | 0501045227 | |
| CJ1 | Res. 0 Ω | 0200212012 | | CN8 | Plug, PCB B2B-XASK-1-A | 0501045012 | |
| JM9 | Res. 0 Ω | 0200230016 | | CN9 | Plug, PCB B5P-SHF-1AA | 0500006069 | |
| R40,41,62,71,72 | Res. 4.7k Ω \pm 5% | 0200212906 | | CN10 | Plug, PCB B5B-XASK-1-A | 0501045043 | |
| | | | | CN12 | Plug, PCB B3B-XASK-1-A | 0501045029 | |
| | | | | CN14 | Plug, PCB B4B-XH-AM | 0500005314 | |
| | | | | CN15 | Plug, PCB B3B-XARK-1-A | 0501045319 | |
| | | | | CN17 | Plug, PCB B3B-XAKK-1-A | 0501045357 | |

FILTER PCB ASSEMBLY (Ref. No.875)

| Ref. No. | Description | Part No. | Ord. Q'ty | Ref. No. | Description | Part No. | Ord. Q'ty |
|-----------|---------------------------|------------|-----------|----------|------------------------------|------------|-----------|
| VA101,102 | Varistor TNR12G471K | 0000038010 | | C105,106 | Cap. Plastic 0.022 μ F | 0301052098 | |
| SA101 | Arrester DSA-362MA-05 | 0600168032 | | LF101 | EMI Filter ELF17N015A | 0400197119 | |
| TM101,102 | Plug Contact 86028 | 0500536016 | | E101 | Wire w/Terminal GRN L=100 mm | 9702313012 | |
| F101 | Fuse 2183.15 | 0600285210 | | W103,104 | Wire Assy #18 2P | 9703251016 | |
| C101,102 | Cap. Plastic 0.22 μ F | 0300304099 | | FH1,2 | Fuse Holder PFC5000-0502 | 0500158072 | |


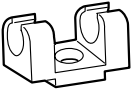
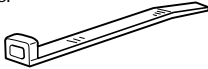




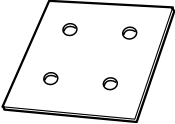

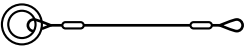
When you order parts, please make a photocopy of this page and fill the number of the parts in the "Order" column.

[OUTDOOR UNIT]
CONTROLLER PCB ASSEMBLY (Ref. No.236)





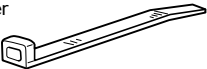





| Ref. No. | Description | Part No. | Ord. Qty | Ref. No. | Description | Part No. | Ord. Qty |
|--|---------------|------------------|------------|-------------------------------------|---------------------------------------|------------|----------|
| IC1 | IC | μPD780024ACW-015 | 9700888017 | C5 | Cap. Elec. 25V 1000μF | 0301196495 | |
| IC2 | IC | NJM7805FA | 0100462081 | C6 | Cap. Elec. 50V 1000μF | 0301196822 | |
| IC3,4 | IC | μPA2003GR | 0100028041 | C7,14,38-41, 51-54,CJ35, CJ48 | Cap. Ceramic 50V 0.01μF | 0300311738 | |
| IC6 | IC | PST600CMTR | 0101461120 | C8,29-31 | Cap. Elec. 25V 10μF | 0301192312 | |
| IC7 | IC | HU2001 | 9701651016 | C10 | Cap. Elec. 50V 100μF | 0301192589 | |
| IC9 | IC | NJM7824FA | 0100462098 | C12,13,17-19, 36,42-46 | Cap. Ceramic 50V 0.1μF | 0300311752 | |
| IC10 | IC | NM93C46M8-X | 0101622026 | C15,16,23-25 | Cap. Ceramic 50V 1000pF | 0300308509 | |
| Q3,8,14 | Xstr | DTC124EKA | 0000936033 | C27 | Cap. Elec. 450V 100μF | 0300256060 | |
| Q5,6 | Xstr | 2SC2712 | 0000781053 | C28 | Cap. Plastic 4700pF | 0300269091 | |
| Q9 | Xstr | 2SC4236 | 0000164016 | C35 | Cap. Plastic 50V 0.047μF | 0300169339 | |
| Q10 | Xstr | 2SC1740S | 0000699235 | C37 | Cap. Elec. 50V 100μF | 0301197560 | |
| D1,23 | Diode | D1F60 | 0000208024 | C47 | Cap. Elec. 25V 100μF | 0301192350 | |
| D2,3 | Diode | D2FL20U | 0000906500 | C49 | Cap. Ceramic 0.01μF | 0300209127 | |
| D6,7 | Diode | DA226U | 0000625036 | X1 | Ceramic Resonator EFOEC8384T4 | 9701261017 | |
| D11 | Diode | DAN202K | 0000684019 | K1-5,7 | Relay JQ1-12V | 9701316014 | |
| D14 | Diode | D3SB60 | 0000689045 | CR1,2,4,5 | CR Absorber RPEL-121204-C | 9701125012 | |
| D18 | Diode | MTZJ5.1B | 0000852166 | T1 | Switching Transformer ETS29AA175AC | 9703059018 | |
| D19 | Diode | 1SR139-600 | 0000353120 | VA1-3 | Varistor TNR12G471K | 0000038010 | |
| D20,21 | Diode | D1FL20U | 0000746519 | LF1 | EMI Filter ELF15N005A | 0400165040 | |
| LED1-6 | Diode | SLR-325VC | 0000813259 | SA1 | Arrester RA-362M-V7-F | 0600280154 | |
| R1,3-5 | Res. | 4.7kΩ±5% | 0200212906 | F1 | Fuse BET 6.3A-250V | 0600222574 | |
| R2 | Res. | 10kΩ±5% | 0200231013 | FH1,2 | Fuse Holder PFC5000-0502 | 0500158072 | |
| R7,8,11-13,23 -26,30-36, 54,55,77-80 | Res. | 1kΩ±5% | 0200212746 | SW1 | Switch, Slide DSS804 | 9701393015 | |
| R9,10,27,37-40, 43,44,45,47, 49,50-52,56- 58,76 | Res. | 10kΩ±5% | 0200213019 | W1 | Wire w/Terminal L=330 RED | 9702929015 | |
| R17 | Res. | 38.3kΩ±1% | 0201114575 | E | Wire w/Terminal L=100 GRN | 9702313012 | |
| R18 | Res. | 14kΩ±1% | 0201114193 | HT1 | Heat Sink PUE56-30 | 9703347016 | |
| R19 | Res. | 6.65kΩ±1% | 0201113806 | CN2,15 | Plug, PCB B2P3-VH-B-Y | 0500011827 | |
| R46 | Res. Cement | 3.3Ω±5% | 0200244372 | CN3 | Plug, PCB B4P7-VH-B | 0500011742 | |
| R59-62 | Res. | 10Ω±5% | 0200230269 | CN4 | Plug, PCB 179844-1 | 0501121013 | |
| R67 | Res. | 1.5Ω±5% | 0201107119 | CN6 | Plug, PCB 179844-4 | 0501121037 | |
| R68 | Res. Metal 1W | 330kΩ±5% | 0200372136 | CN7 | Plug, PCB B2P3-VH-B-C | 0500011773 | |
| R69 | Res. | 100Ω±5% | 0200212500 | CN9 | Plug, PCB B6B-XAKK-1-A | 0501045425 | |
| R70 | Res. | 330Ω±5% | 0200230627 | CN10 | Plug, PCB B3B-XASK-1-A | 0501045029 | |
| R71 | Res. | 100Ω±5% | 0200731506 | CN11 | Plug, PCB B6B-XASK-1-A | 0501045050 | |
| R81 | Res. Metal 2W | 62kΩ±5% | 0201107997 | CN13 | Plug, PCB B2P-VH-B | 0500011124 | |
| CJ26-28,37 | Res. | 0Ω | 0200212012 | CN14 | Plug, PCB B5P-SHF-1AA | 0500006069 | |
| C1,2 | Cap. Plastic | 0.22μF | 0300304099 | CN16 | Plug, PCB B4P7-VH-B-R | 0500011797 | |
| C3,4 | Cap. Plastic | 0.022μF | 0301052098 | | | | |

STANDARD ACCESSORIES

INDOOR UNIT ACCESSORIES

| Name and Shape | Part No. |
|--|--|
| Coupler heat insulation  | 9350716029 } 1 each 9352766015 } |
| Remote control unit cord clamp  | 313714181904 |
| Binder  | 313035356905 (Large) |
| | 313361275805 (Small) |
| Screw  | (A) 301141134166 For installing the mounting bracket |
| | (B) 301141153027 For installing the cord clamp |
| Special nut A (large flange)  | 313005446653 |
| Special nut B (small flange)  | 313005446759 |
| Remote control unit  | (Cooling model) 9703173028 |
| | (Cooling & Heating model) 9703173011 |
| Template  | 9363173000 |
| Blower cover insulation  | 9363265002 |
| Hook wire  | 9363168006 |

OUTDOOR UNIT ACCESSORIES

| Name and Shape | RO-36A | RO-45A | RO-54A | RO-36RA | RO-45RA | RO-54RA |
|---|--------------|--------------|--------------|--------------|--------------|--------------|
| Power cap  | 9352173011 | 9352173011 | 9352173011 | 9352173011 | 9352173011 | 9352173011 |
| Auxiliary pipe assembly  | 9355292016 | 9355292016 | 9355292016 | 9355292016 | 9355292016 | 9355292016 |
| Edge cover  | 9352436000 | 9352436000 | 9352436000 | 9352436000 | 9352436000 | 9352436000 |
| Tapping screw  | 301463040100 | 301463040100 | 301463040100 | 301463040100 | 301463040100 | 301463040100 |
| Binder  | 313035356905 | 313035356905 | 313035356905 | 313035356905 | 313035356905 | 313035356905 |
| Putty  | 303020200114 | 303020200114 | 303020200114 | 303020200114 | 303020200114 | 303020200114 |
| Coupler heat insulation  | 313005074759 | 313005074759 | 313005074759 | 313005074759 | 313005074759 | 313005074759 |
| Pipe (drain)  | — | — | — | 313728031005 | 313728031005 | 313728031005 |
| Flexible tube  | — | — | — | 313013042915 | 313013042915 | 313013042915 |
| Cap (drain)  | — | — | — | 313166024302 | 313166024302 | 313166024302 |



MANUFACTURER :

Fuji Denki Sosetsu Co., Ltd.

Tokyo, Japan